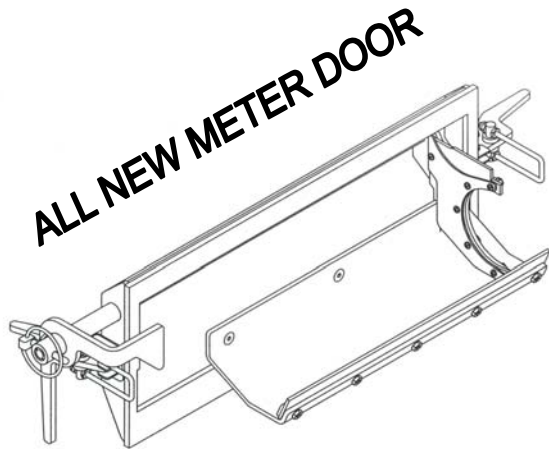


**NEW IN 2006!**

# CONCORD METER UPGRADE

“STAINLESS STEEL”



This is the first new meter upgrade in over 20 years.

(all field installable parts)

“Stainless Steel”

- GREATLY INCREASES METER ACCURACY
- REDUCES LEAK BY
- ELIMINATES SEED DAMAGE
- EXCELLENT FOR CANOLA
- PERMANENTLY ELIMINATES CORROSION
- EASY TO INSTALL

**A) SLIDE GATE PIN & GEAR (STAINLESS)**  
(Stainless Gear Rack also available)

Gear: 65707 \$ 37.70  
Pin: 65630 \$ 32.65  
**\$ 70.35** (per meter)

**B) METER ROLLER & SHAFT (STAINLESS)**

(1/2" deep or 1/4" deep meters) New Canola Meter Roller also available

Meter: \$220.00  
Shaft: \$115.20  
**\$335.20** (per meter)

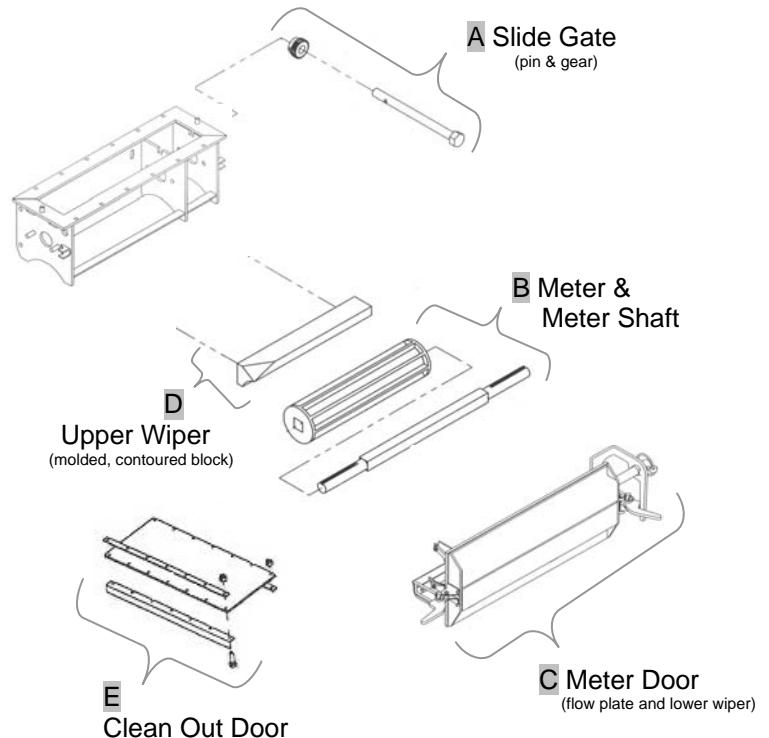
**C & D) METER DOOR ASSEMBLY (STAINLESS)**  
ALL NEW DESIGN

Includes: Flow plate, lower wiper & stainless toggle clamps  
**\$521.00** (per meter)

**W/Upper Wiper Block (66062) \$78.50**

**E) CLEAN OUT DOOR (STAINLESS)**

Includes: New rubber door, all hardware & stainless toggle clamps  
**\$ 79.80** (per meter)



**Complete Conversion Package (2 meters) ..... \$2012.70**

\$1006.35 (per meter)