

UNIVERSAL DISC LEVELER



EXCELLENT IN HEAVY RESIDUE

- Will fit almost any heavy duty shank
- Level seed bed
- Close furrow
- Great substitute for harrow levelers
- Very little residue bunching
- Different styles for edge on and c-shanks



Spring steel disc arm

Heavy duty bearing and seal

Large bushing at pivot

Heavy duty bearing and seal

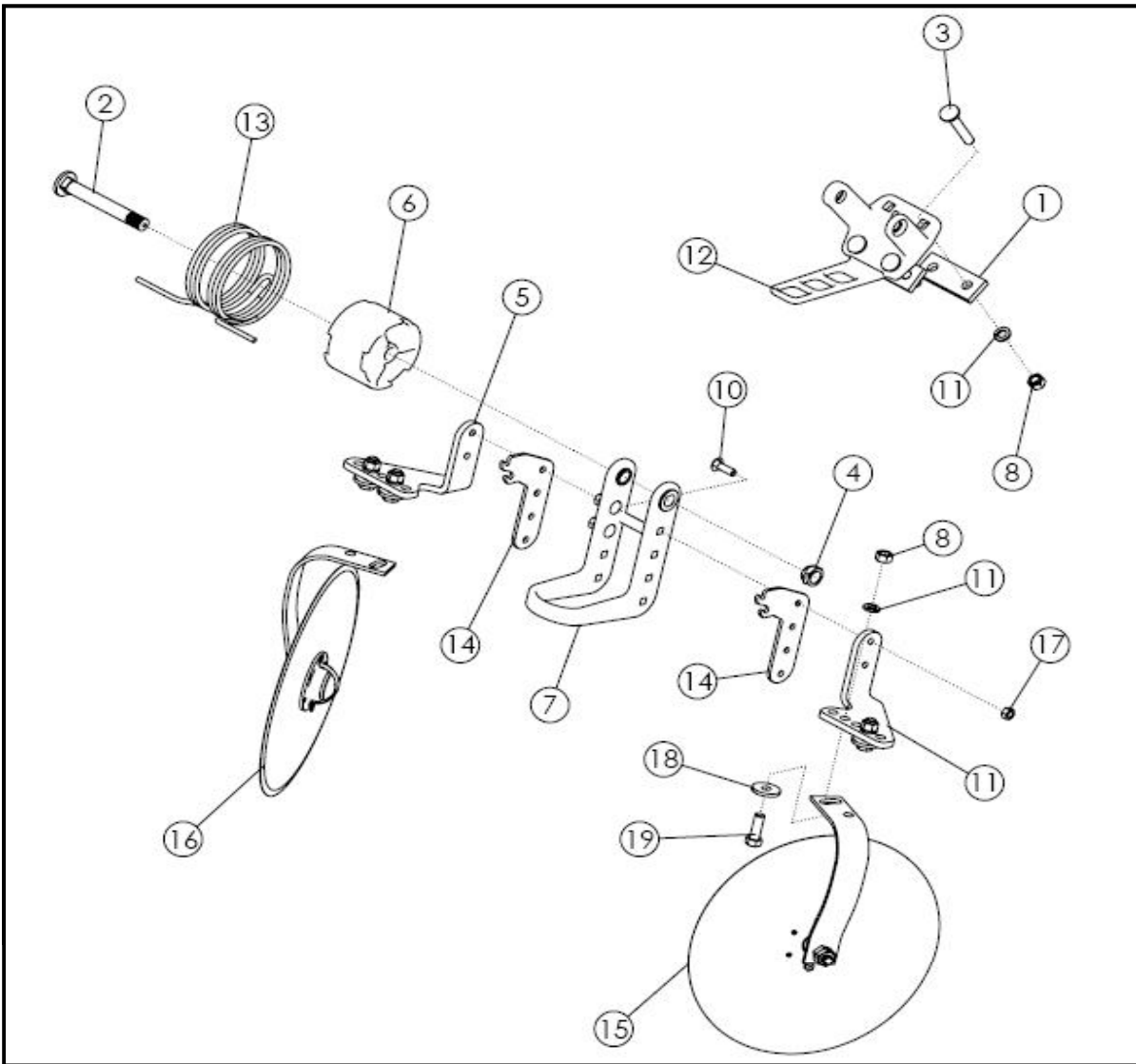
Large bushing at pivot

Fully adjustable width and angle

ORDER # 66420

PRICE \$315.00

Amity Technology
 2800 7th Ave. N Fargo, ND 58102
 (701)232-4199 www.amitytech.com



ITEM	PART #	DESCRIPTION	PRICE
1	67133	Plate-Backin	2.60
2	34820	Bolt .75 x 5.75	3.20
3	67402	Bolt Carr. 1/2 x 105	0.75
4	344003	Nut .75 Center Lock	2.50
5	67416	Plate-Disk Lev Wing	9.50
6	67409	Spacer-Center Carrier	4.50
7	67482	Assy-Dis Leveler Arm	44.00
8	1011577	Nut .50	0.15
9	67417	Plate-Disk Lev Wing	9.50
10	1016362	Bolt Carr. .38x1.25	0.20
11	1011581	Washer, Lock .5	0.05
12	67415	Carrier - Center	34.50
13	67207	Spring - Torsion	11.50
14	67934	Arm - Shifter	5.40
15	66479	Assy- Right Disk Arm	82.60
16	66478	Assy- Left Disk Arm	82.60
17	1011499	Nut - Hex .38	0.10
18	33036	Washer, Flat .5	0.40
19	1011607	Bol5-Hex .5s105	0.40