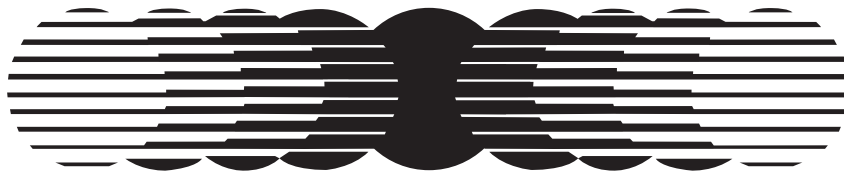


# PARTS MANUAL

2015  
HARVESTER  
12 ROW 22 - WHEEL

Amity  
TECHNOLOGY



2800 7<sup>TH</sup> Avenue North  
Fargo, ND 58102

Phone: (701) 232-4199  
Fax: (701) 234-1716  
[www.amitytech.com](http://www.amitytech.com)



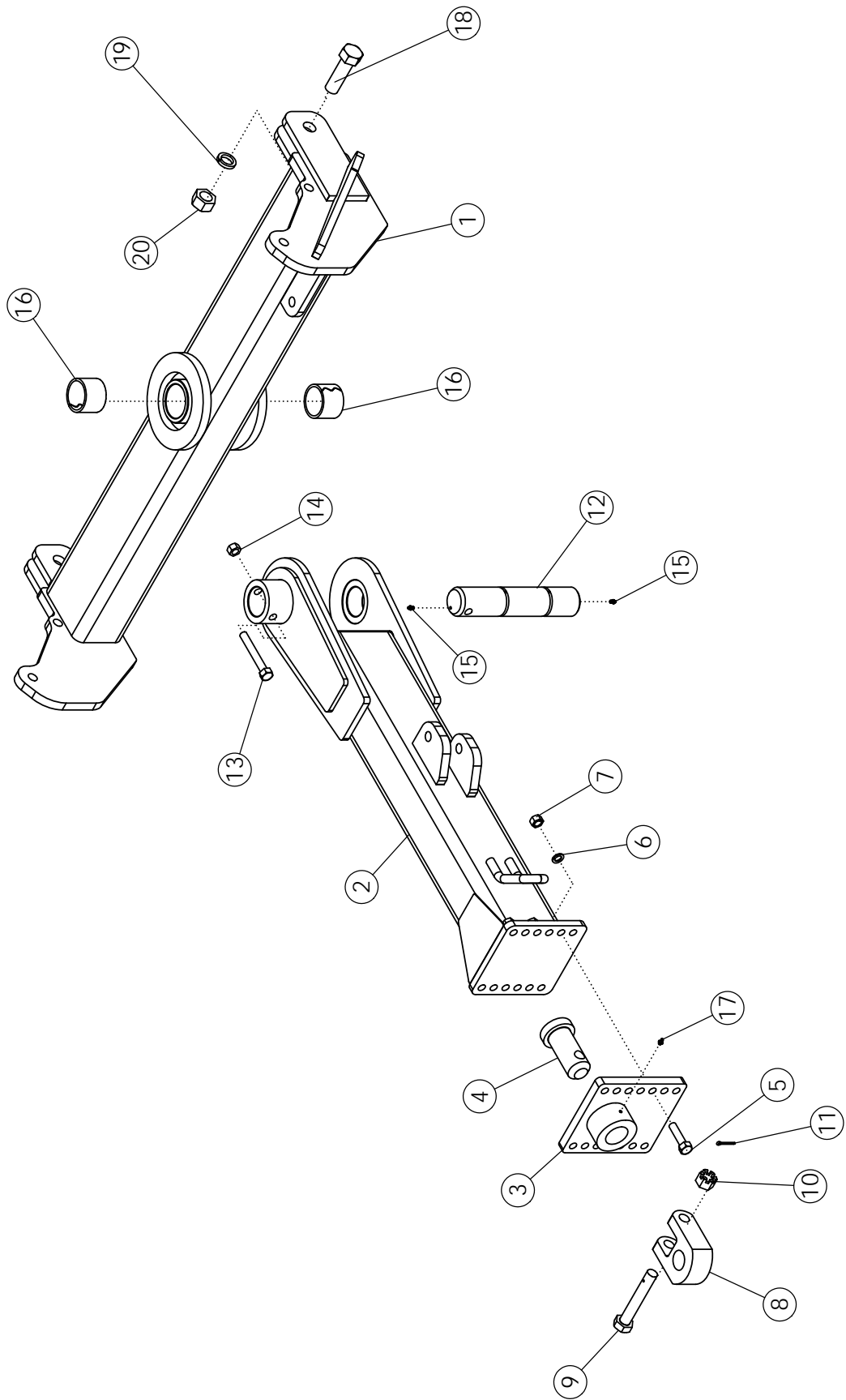


# TABLE OF CONTENTS

HITCH ASSEMBLY.....	1-4
LIFTER STRUT.....	5-12
HYDRAULIC ROW FINDER.....	13-16
GUARDS & SHIELDS.....	17-22
APRON SHAFT.....	23-26
PADDLE SHAFT.....	27-30
CLEANING ROLLS.....	31-34
CLEANING ROLL MOUNTING PACKAGE.....	35-36
MAIN DRIVE.....	37-40
APRON SHAFT DRIVE.....	41-42
PADDLE SHAFT DRIVE.....	43-44
CLEANING ROLL DRIVE.....	45-46
JUMP CHAIN.....	47-48
WHEEL JUMP CHAIN DRIVE.....	49-50
TANK ASSEMBLY.....	51-52
ELEVATOR ASSEMBLY.....	53-54
ELEVATOR BOOM.....	55-58
WHEEL ASSEMBLY.....	59-60
WHEEL CONVEYOR.....	61-64
WHEEL DRIVE.....	65-66
FRAME EXTENSION.....	67-70
REAR WHEEL FRAME ASSEMBLY.....	71-72
AXLE COMPONENTS.....	73-74
STEERABLE STRUT ASSEMBLY.....	75-76
STEERING INDICATOR ASSEMBLY.....	77-78
SPINDLE & HUB ASSEMBLY.....	79-80
LIGHT KIT.....	81-84
AXLE HYDRAULICS.....	85-86
STEERABLE STRUT HYDRAULICS.....	87-88
ROW FINDER & HITCH HYDRAULICS.....	89-92
3-BANK VALVE.....	93-94
4-BANK VALVE.....	95-96
VALVE GROUP.....	97-98
TANK HYDRAULICS.....	99-100
WHEEL HYDRAULICS.....	101-102
HYDRAULIC TANK.....	103-104
12 ROW WHEEL HYDRAULICS.....	105-108
REVERSE #4 GRABROLL #62107 (OPTIONAL).....	109-110
HARVESTER STAND (OPTIONAL).....	111-112

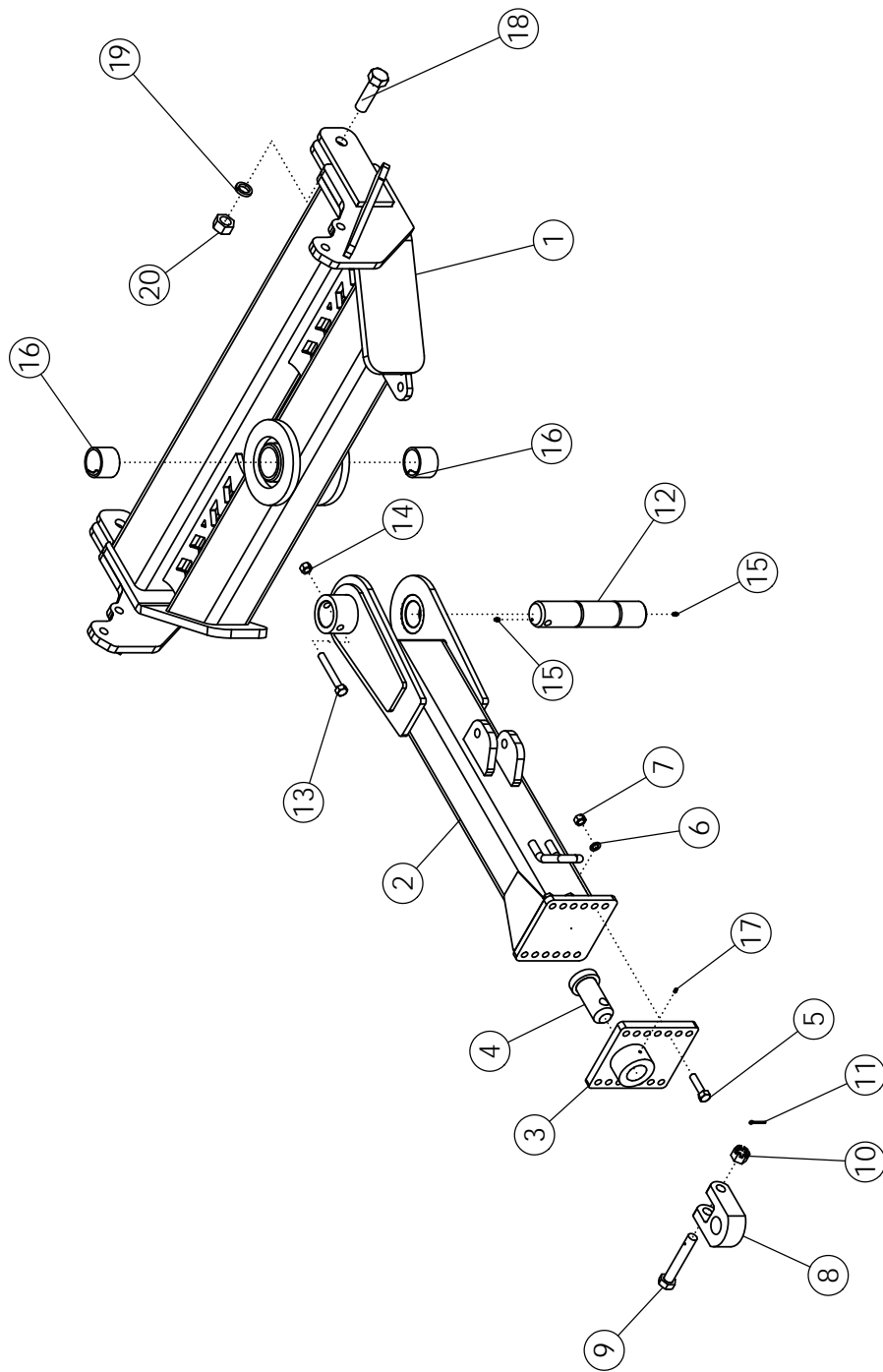
---

PTO DRIVELINE 1.75" – 20 SPLINE #301558.....	113-114
GEARBOX (1.82:1) #300142 4-WAY.....	115-116
SELECTOR VALVE #58470.....	117-118
ROW FINDER VALVE #301150.....	119-120
SPROCKET #54824.....	121-122
BELT TIGHTENER #72749.....	121-122
BELT TIGHTENER #72058 & #72753.....	123-124
SLIP CLUTCH/SPROCKET #72030.....	125-126
SLIP CLUTCH/SPROCKET #58335.....	125-126
SLIP CLUTCH/SPROCKET #57993.....	125-126
IDLER PULLEY #56406.....	127-128
SPROCKET IDLER #56851.....	127-128
REVERSE PULLEY #301821.....	129-130
ROLLER.....	131-132
BELT LAP JOINT.....	133
3 BELT LAP JOINT.....	134
TOOL CUTTER.....	135
DECALS.....	137-142



# HITCH ASSEMBLY

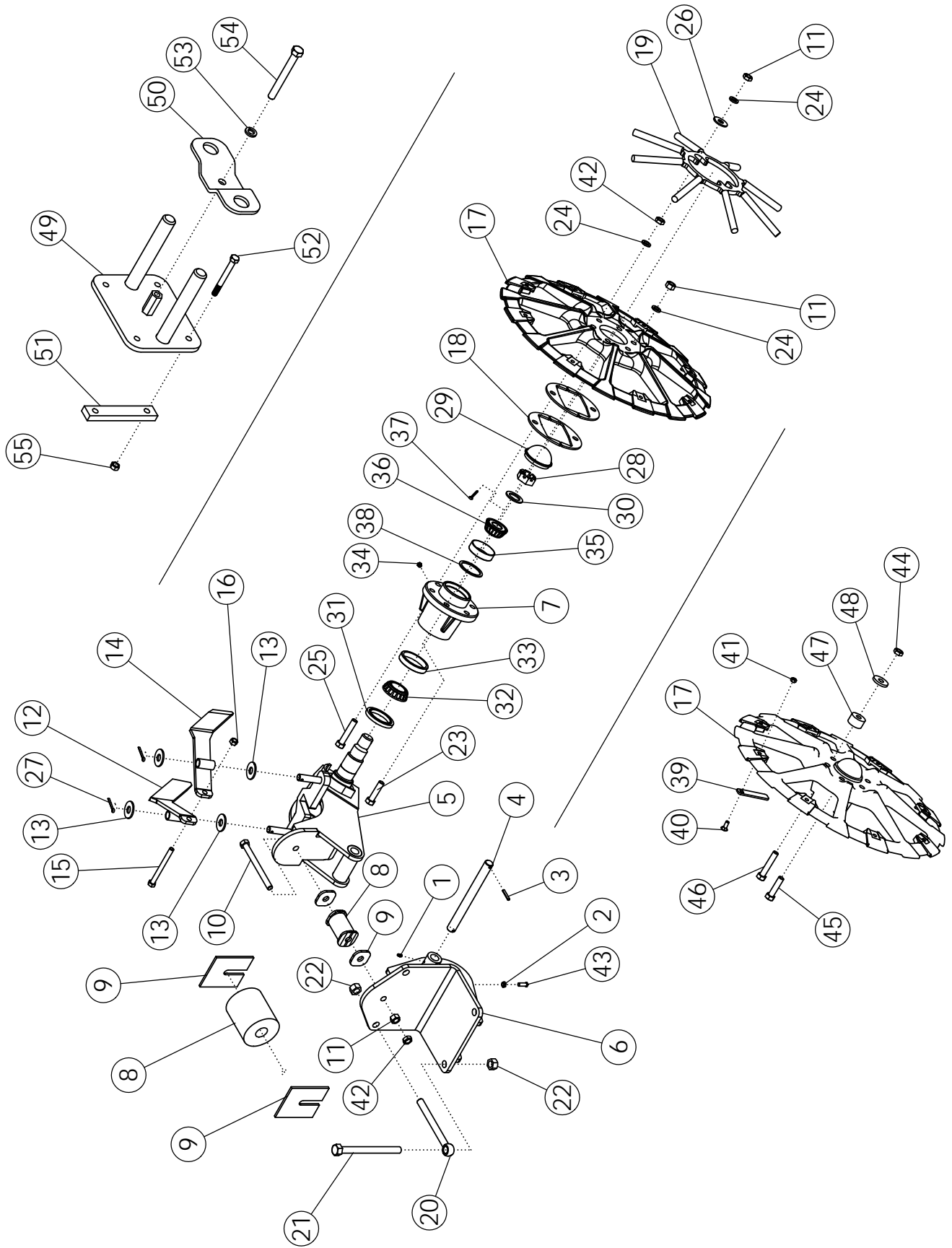
ITEM	PART NO.	DESCRIPTION	QTY
1	301656	WLDMT - HITCH PIVOT 12R EXTENDED 10"	1
2	301582	WLDMT - DRAWPOLE EXTENDED	1
3	57930	WLDMT-HITCH PLATE	1
4	62101	WLDMT-PIN	1
5	1012059	BOLT-HEX: .75 X 3.00 NC GR5 ZP	6
6	1012061	WASHER-LOCK: .75 ZP	6
7	1011620	NUT-HEX: .75 NC	6
8	64476	PLATE-PULL HITCH	1
9	62477	BOLT-HITCH DRILLED	1
10	62088	NUT-SLOTTED: 1.13 NC GR5 ZP	1
11	1013473	PIN-COTTER: .19 X 2.00 NP	1
12	301590	PIN-HITCH PIVOT	1
13	69911	BOLT-HEX: .75 X 5.5 NC GR5 ZP	1
14	1017000	NUT-TOPLOCK: .75 NC GR5 ZP	1
15	1030883	ZERK-GREASE: .3125 UNF STRAIGHT	2
16	301591	SPRING BUSHING 3.50 X 3.00 X 2.50	2
17	1011748	ZERK - GREASE: .25 UNF STRAIGHT	1
18	72021	BOLT-HEX: 1.38 X 4.50 NC GR5 ZP	2
19	1030760	WASHER-LOCK: 1.38 ZP	2
20	1030758	NUT-HEX: 1.38 NC ZP	2
21	69256	CHAIN-SAFETY 41000# (NOT SHOWN)	1





# XL HITCH ASSEMBLY

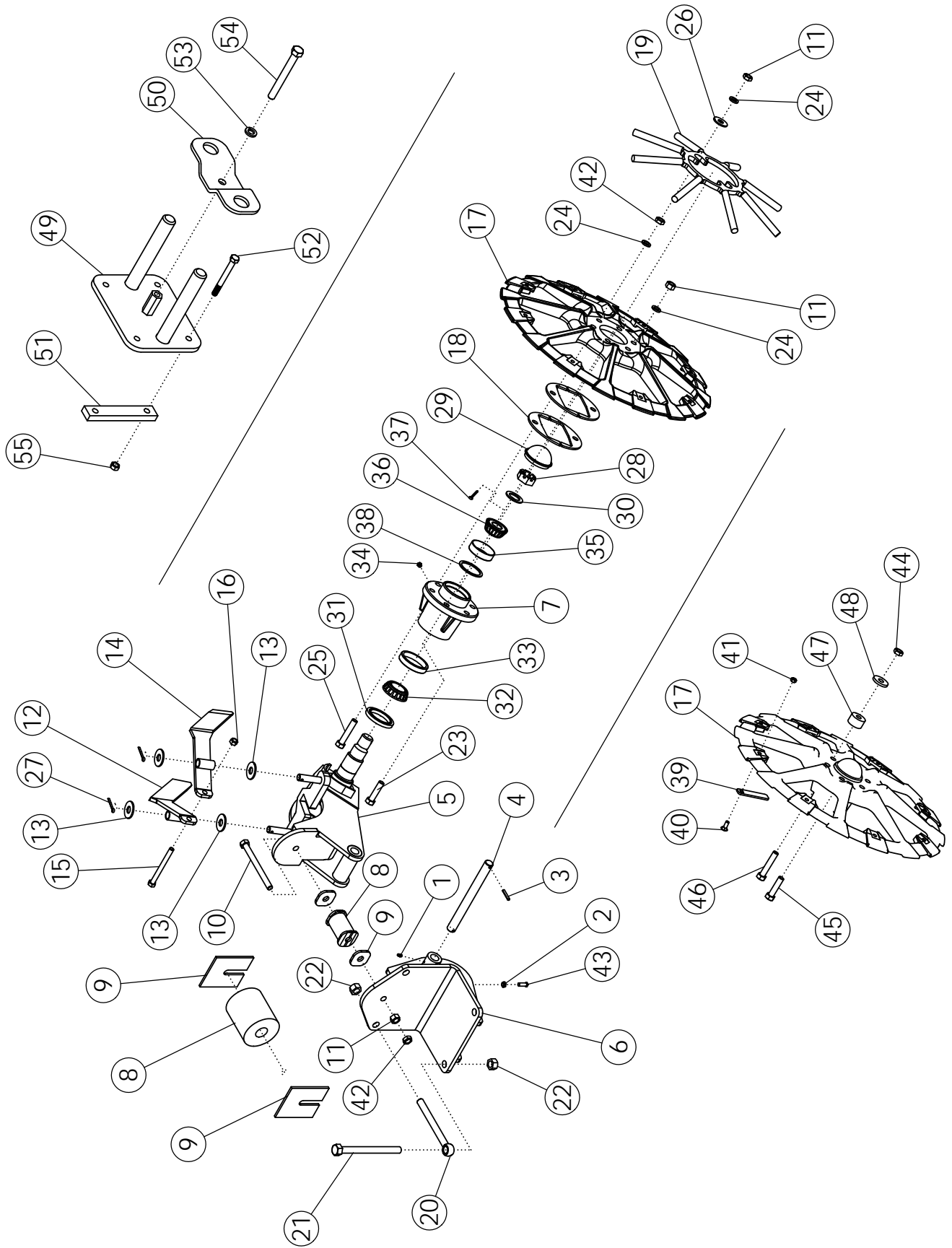
ITEM	PART NO.	DESCRIPTION	QTY
1	301589	WLDMT - HITCH PIVOT 12R EXTENDED	1
2	301582	WLDMT - DRAWPOLE EXTENDED	1
3	57930	WLDMT-HITCH PLATE	1
4	62101	WLDMT-PIN	1
5	1012059	BOLT-HEX: .75 X 3.00 NC GR5 ZP	6
6	1012061	WASHER-LOCK: .75 ZP	6
7	1011620	NUT-HEX: .75 NC	6
8	64476	PLATE-PULL HITCH	1
9	62477	BOLT-HITCH DRILLED	1
10	62088	NUT-SLOTTED: 1.13 NC GR5 ZP	1
11	1013473	PIN-COTTER: .19 X 2.00 NP	1
12	301590	PIN-HITCH PIVOT	1
13	69911	BOLT-HEX: .75 X 5.5 NC GR5 ZP	1
14	1017000	NUT-TOPLOCK: .75 NC GR5 ZP	1
15	1030883	ZERK-GREASE: .3125 UNF STRAIGHT	2
16	301591	SPRING BUSHING 3.50 X 3.00 X 2.50	2
17	1011748	ZERK - GREASE: .25 UNF STRAIGHT	1
18	72021	BOLT-HEX: 1.38 X 4.50 NC GR5 ZP	2
19	1030760	WASHER-LOCK: 1.38 ZP	2
20	1030758	NUT-HEX: 1.38 NC ZP	2
21	69256	CHAIN-SAFETY 41000# (NOT SHOWN)	1



# LIFTER STRUT

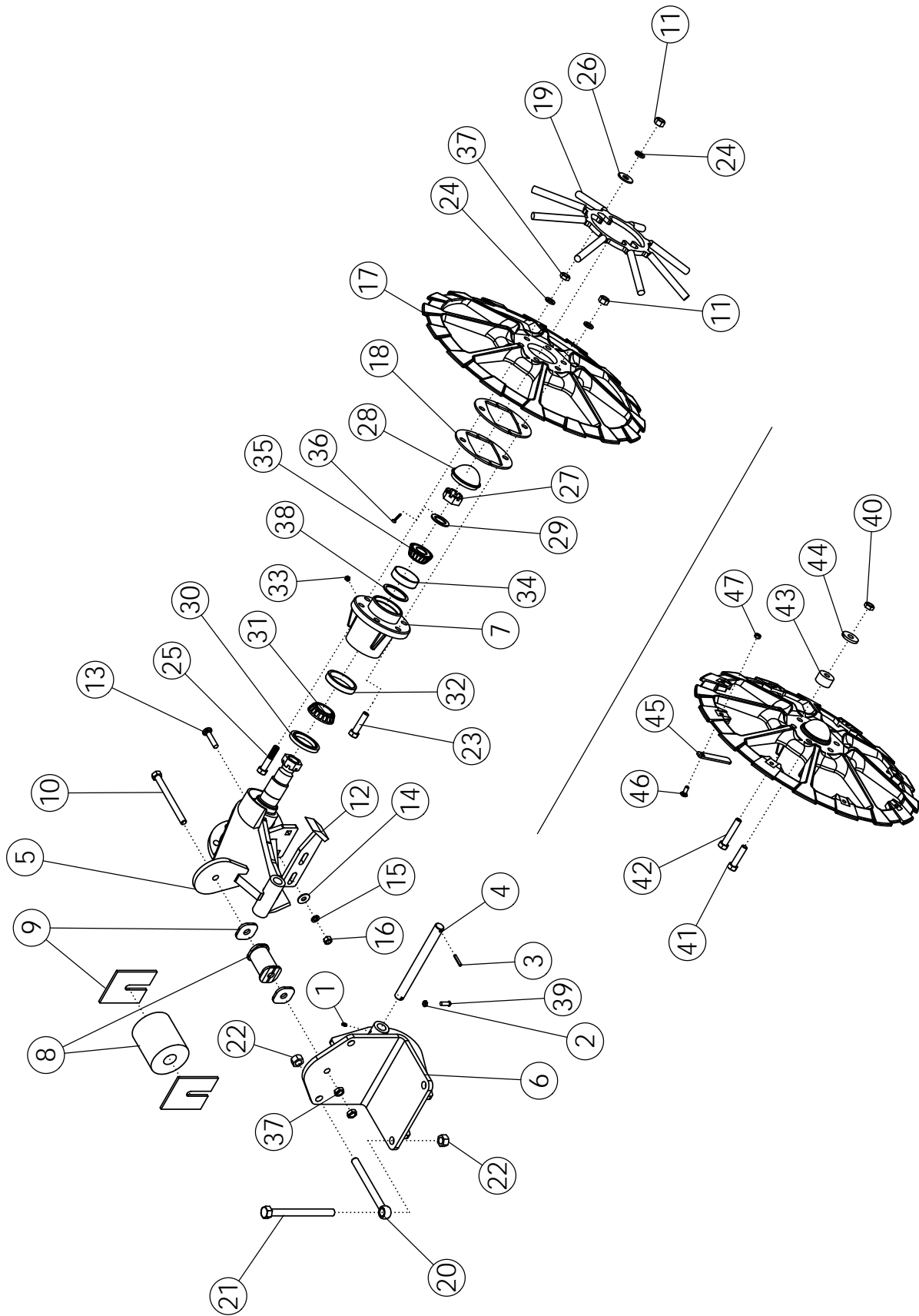
ITEM	PART NO.	DESCRIPTION	QTY
1	1011748	ZERK - GREASE: .25 UNF	2
2	1013519	NUT-JAM: .38 NC GR2 ZP	2
3	59398	PIN-ROLL: .25 X 1.50 ZP	2
4	69907	SHAFT-STRUT	1
5	50142	WLDMT-STRUT SPINDLE ASSY	1
6	50146	WLDMT-STRUT BRACKET	1
7	63655	HUB-MACHINED	2
8	50134	WLDMT-SPACER ZP	1
	51542	BUMPER-RUBBER	1
9	50137	WASHER SQUARE ZP	2
	50139	PLATE-LIFTER STRUT SPACER ZP	4
10	1030761	BOLT-HEX: .63 X 7.00 NC GR 8 ZP	1
11	1011578	NUT-HEX: .63 NC GR5 ZP	13
12	50715	WLDMT-SCRAPER RH	1
13	1030702	WASHER-FLAT: .75 ZP	4
14	50716	WLDMT-SCRAPER LH	1
15	1016660	BOLT-HEX: .50 X 5.50 NC GR5 ZP	1
16	1027461	NUT-TOPLOCK: .50 NC GR5 ZP	1
17	69856	LIFTER WHEEL MACHINED PAINTED	2
	300734	LIFTER WHEEL HARD PAINTED	
18	50747	PLATE-LIFTER WHEEL SPACER ZP	AR
19	63880	WLDMT-WHEEL FILLER (OPTIONAL)	2
20	64135	BOLT-EYE: .75 X 8.00 ZP	2
21	64136	BOLT-HEX: .75 X 8.50 NC GR5 ZP	2
22	1017000	NUT-TOPLOCK: .75 NC GR5 ZP	4
23	1013023	BOLT-HEX: .63 X 2.50 NC GR5 ZP	8
24	1011813	WASHER-LOCK: .63 ZP	16
25	65825	BOLT-HEX: .63 X 3.25 NC GR5 ZP	4
26	1013024	WASHER-FLAT: .63 ZP	4
27	1013473	PIN-COTTER: .19 X 2.00 NP	2
28	1016367	NUT-SPINDLE: 1.38 NF NP	2
29	63624	HUB CAP ROUNDED ZP	2
30	1030765	BUSHING-MACHINED: 1.38 NR 10 GA	2
31	53632	SEAL	2
32	53634	CONE-BEARING INNER	2
33	53636	CUP-BEARING INNER	2
34	1030766	ZERK - GREASE .13 NPT STRAIGHT	2
35	53635	CUP-BEARING OUTER	2
36	53633	CONE-BEARING OUTER	2
37	64012	PIN-COTTER: .19 X 3.00 NP	2

CONTINUED



## LIFTER STRUT (CONTINUED)

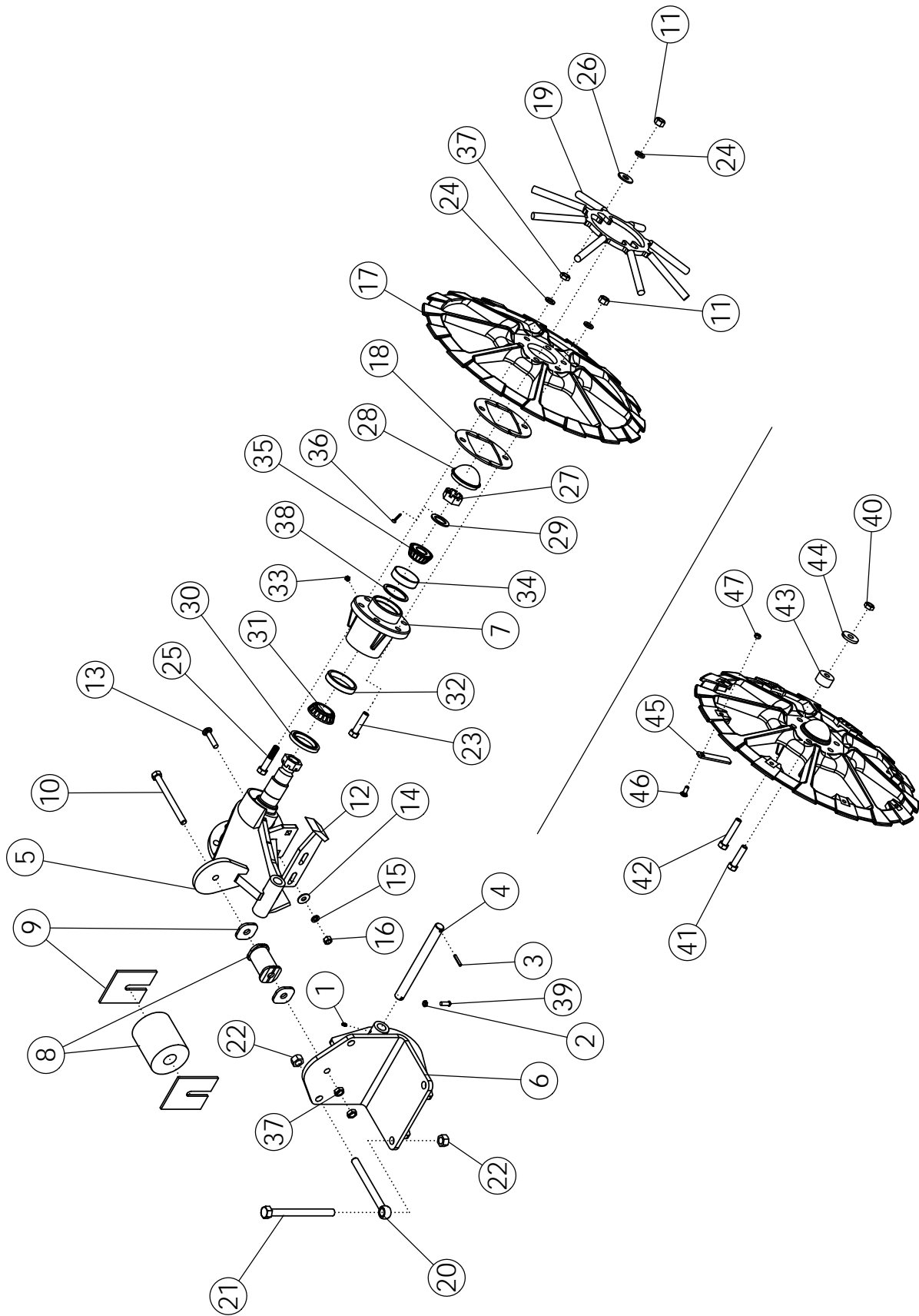
ITEM	PART NO.	DESCRIPTION	QTY	
38	64674	RACE-SPACER (.120)	AR	
39	300097	PLATE-LIFTER WHEEL FILLER	16	
40	59488	BOLT-CRG: .38 X 1.00 NC GR5 ZP	16	
41	1016999	NUT-TOPLOCK: .38 NC GR5 ZP	16	
42	1026259	NUT-JAM: .63 NC GR2 ZP	5	
43	50813	SCREW-SET: SQ HD .38 X 1.00 ZP	2	
<b>OPTIONAL URETHANE BUSHING</b>				
44	1016595	NUT-TOPLOCK: .63 GR5 ZP	12	
45	1014000	BOLT-HEX: .63 X 3.50 NC GR5 ZP	8	
46	1013935	BOLT-HEX: .63 X 4.50 NC GR5 ZP	4	
47	51705	BUSHING	12	
48	301324	WASHER-CUSTOM: .668 ID X 1.875 OD X .235	12	
<b>OPTIONAL WHEEL FILLER BRACKET</b>			6-8ROW 12 ROW	
49	64658	WLDMT-WHEEL FILLER BRACKET	2	3
50	64659	PLATE-RETAINER	2	3
51	63372	BAR-BACKING	4	6
52	58176	BOLT-HEX: .38 X 3.50 NC GR5 ZP	8	12
53	1011581	WASHER-LOCK: .50 ZP	2	3
54	1013682	BOLT-HEX: .50 X 4.50 NC GR5 ZP	2	3
55	1016999	NUT-TOPLOCK: .38 NC GR5 ZP	8	12



# LIFTER STRUT - BOTTOM SCRAPER OPTION

ITEM	PART NO.	DESCRIPTION	QTY
1	1011748	ZERK - GREASE: .25 UNF	2
2	1013519	NUT-JAM: .38 NC GR2 ZP	2
3	59398	PIN-ROLL: .25 X 1.50 ZP	2
4	69907	SHAFT-STRUT	1
5	68095	WLDMT-SP LIFTER STRUT STD	1
6	50146	WLDMT-STRUT BRACKET	1
7	63655	HUB-MACHINED	2
8	50134	WLDMT-SPACER ZP	1
	51542	BUMPER-RUBBER	1
9	50137	WASHER SQUARE ZP	2
	50139	PLATE ZP	4
10	1030761	BOLT-HEX: .63 X 7.00 NC GR 8 ZP	1
11	1011578	NUT-HEX: .63 NC GR5 ZP	13
12	64369	WLDMT-SCRAPER	2
13	64685	BOLT-CRG: .50 X 2.25 NC GR5 ZP	2
14	1014443	WASHER-FLAT: .50 ZP	2
15	1011581	WASHER-LOCK: .50 ZP	2
16	1011577	NUT-HEX: .50 NC GR5 ZP	2
17	69856	LIFTER WHEEL MACHINED PAINTED	2
	300734	LIFTER WHEEL HARD PAINTED	
18	50747	PLATE-LIFTER WHEEL SPACER ZP	AR
19	63880	WLDMT-WHEEL FILLER (OPTIONAL)	2
20	64135	BOLT-EYE: .75 X 8.00 ZP	2
21	64136	BOLT-HEX: .75 X 8.50 NC GR5 ZP	2
22	1017000	NUT-TOPLOCK: .75 NC GR5 ZP	4
23	1013023	BOLT-HEX: .63 X 2.50 NC GR5 ZP	8
24	1011813	WASHER-LOCK: .63 ZP	16
25	65825	BOLT-HEX: .63 X 3.25 NC GR5 ZP	4
26	1013024	WASHER-FLAT: .63 ZP	4
27	1016367	NUT-SPINDLE: 1.38 NF NP	2
28	63624	HUB CAP ROUNDED ZP	2
29	1030765	BUSHING-MACHINED: 1.38 NR 10 GA	2
30	53632	SEAL	2
31	53634	CONE-BEARING INNER	2
32	53636	CUP-BEARING INNER	2
33	1030766	ZERK - GREASE .13 NPT STRAIGHT	2
34	53635	CUP-BEARING OUTER	2
35	53633	CONE-BEARING OUTER	2
36	64012	PIN-COTTER: .19 X 3.00 NP	2
37	1026259	NUT-JAM: .63 NC ZP	5
38	64674	RACE-SPACER (.120)	AR
39	50813	SCREW-SET: SQ HD .38 X 1.00 ZP	2

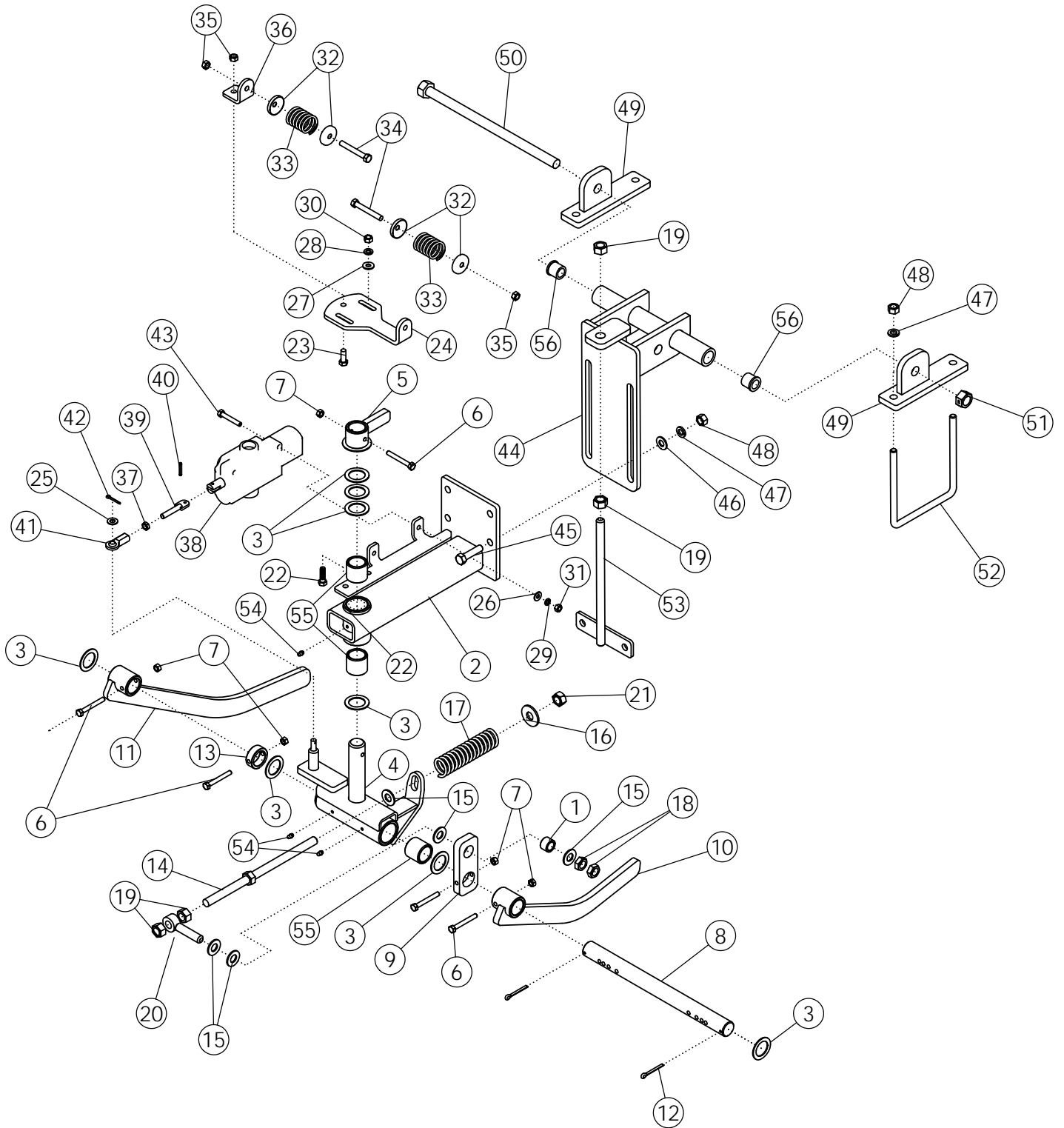
CONTINUED





## LIFTER STRUT - BOTTOM SCRAPER (CONTINUED)

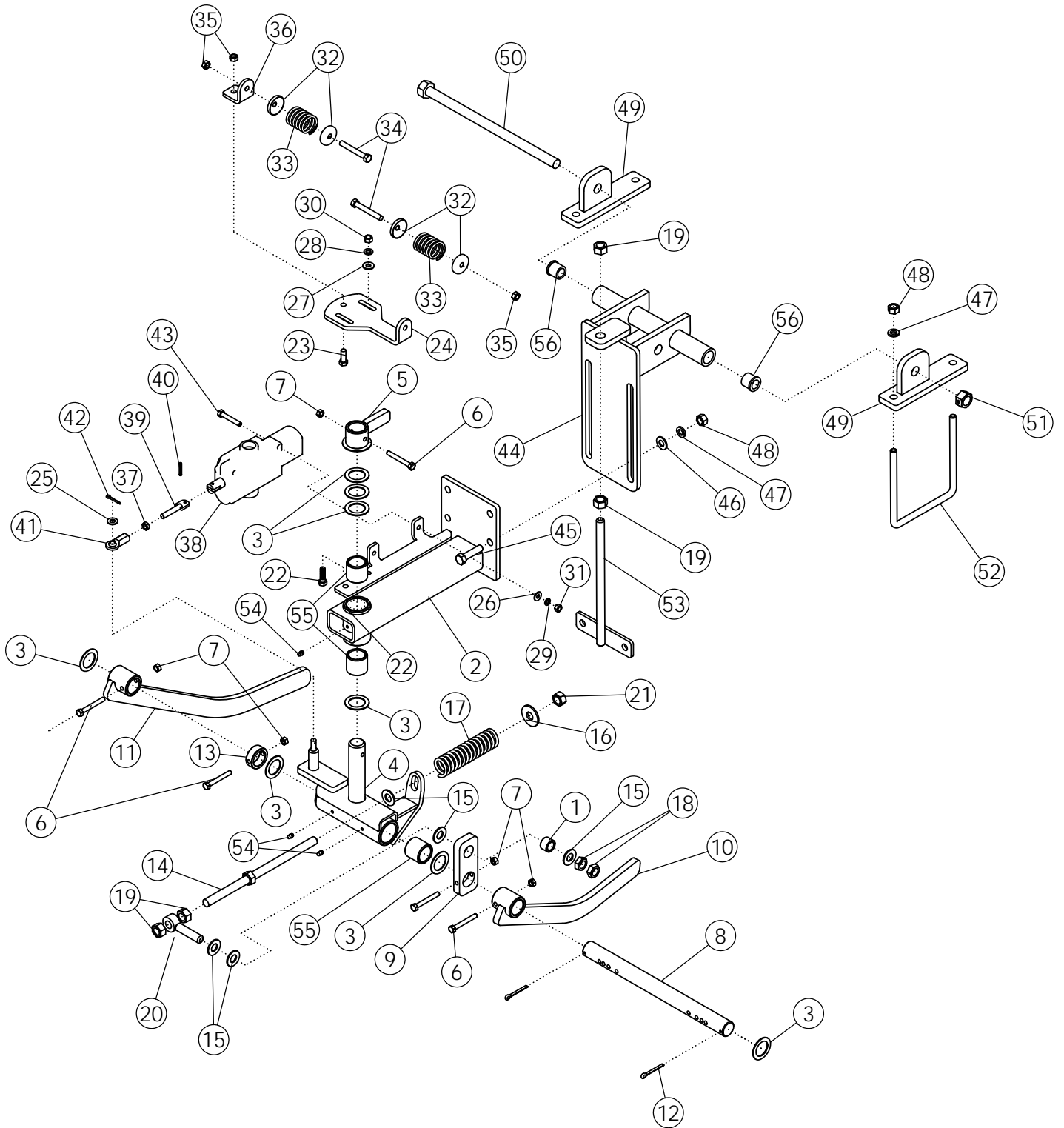
ITEM	PART NO.	DESCRIPTION	QTY
<hr/>			
<b>OPTIONAL URETHANE BUSHING</b>			
<hr/>			
40	1016595	NUT-TOPLOCK: .63 GR5 ZP	12
41	1014000	BOLT-HEX: .63 X 3.50 NC GR5 ZP	8
42	1013935	BOLT-HEX: .63 X 4.50 NC GR5 ZP	4
43	51705	BUSHING	12
44	301324	WASHER-CUSTOM: .668 ID X 1.875 OD X .235 TH	12
<hr/>			
<b>RIM FILLER KIT</b>			
<hr/>			
45	300097	PLATE-LIFTER WHEEL FILLER	16
46	59488	BOLT-CRG: .38 X 1.00 NC GR5 ZP	16
47	1016999	NUT-TOPLOCK: .38 NC GR5 ZP	16



# HYDRAULIC ROW FINDER #301039

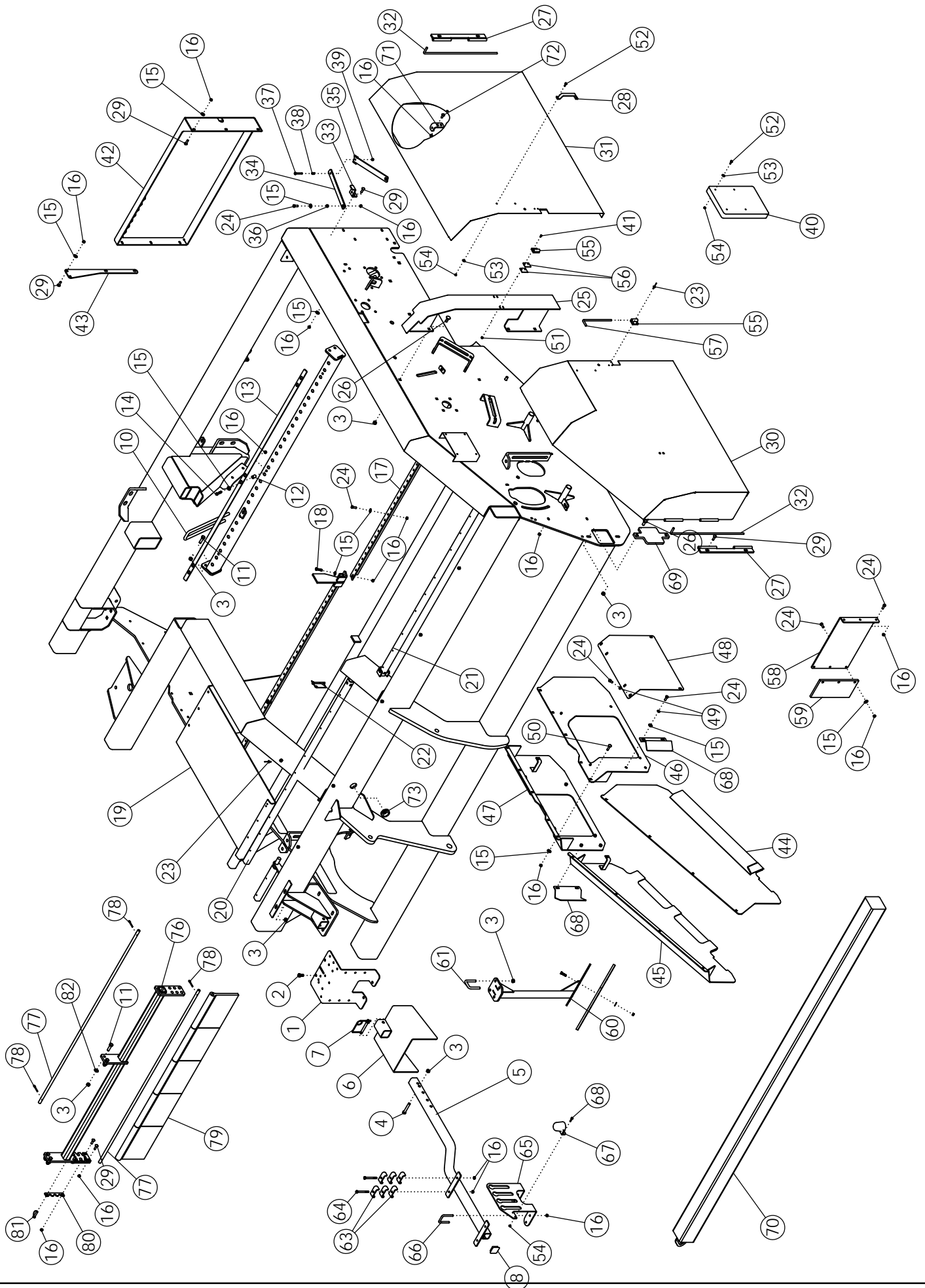
ITEM	PART NO.	DESCRIPTION	QTY
1	52567	BUSHING-ZP	1
2	62520	ASSY-ROW FINDER MAIN FRAME W/BUSHINGS	1
3	55206	BUSHING-MACH: 1.25 NR 14GA	9
4	51139	ASSY-WLDMT-SWIVEL W/BUSHINGS	1
5	51130	WLDMT-FLIPPER	1
6	301748	BOLT-HEX: .31 X 2.50 NC GR8 ZP	5
7	301749	NUT-TOPLOCK: .31 NC GR8 ZP	5
8	51690	SHAFT ZP	1
9	52566	TENSIONER ARM	1
10	51131	SENSOR ARM-L.H.	1
11	52564	SENSOR ARM-R.H.	1
12	1030797	PIN-COTTER: .19 X 1.75 NP	2
13	51137	COLLAR	1
14	52565	ADJUSTMENT BOLT	1
15	1013004	WASHER-FLAT: SAE .63 ZP	5
16	1013024	WASHER-FLAT: .63 ZP	2
17	51692	SPRING: .21 X 1.44 OD X 6.00 15 COILS	1
18	1026259	NUT-JAM: .63 NC GR2 ZP	3
19	1011578	NUT-HEX: .63 NC GR2 ZP	4
20	51691	EYEBOLT: .63 X 3.25 ZP	1
21	1016595	NUT-TOPLOCK: .63 NC GR5 ZP	1
22	1011601	BOLT-HEX: .38 X 1.25 NC GR5 ZP	2
23	1011600	BOLT-HEX: .38 X 1.00 NC GR5 ZP	1
24	51129	PLATE-ADJUSTMENT	4
25	1014608	WASHER-FLT: SAE .38 ZP	1
26	1020416	WASHER-FLAT: .25 ZP	2
27	1011583	WASHER-FLAT: .31 ZP	2
28	1011586	WASHER-LOCK: .38 ZP	2
29	1029115	WASHER-LOCK: .31 ZP	2
30	1011576	NUT-HEX: .38 NC GR2 ZP	2
31	1011575	NUT-HEX: .31 NC GR2 ZP	2
32	52582	SPRING CAP	4
33	51689	SPRING-ROW FINDER PAINTED	2
34	1019828	BOLT-HEX: .38 X 2.75 NC GR5 ZP	2
35	1016999	NUT-TOPLOCK: .38 NC GR5 ZP	7
36	51128	SPRING PLATE	1
37	1030792	NUT-JAM: .38 NF GR2 ZP	1
38	301150	VALVE-ROWFINDER O/C	1
39	301750	WLDMT-STUD RF LONG ZP	1
40	64157	PIN-ROLL: .19 X 1.125 ZP	1

CONTINUED



# HYDRAULIC ROW FINDER #301039 (CONTINUED)

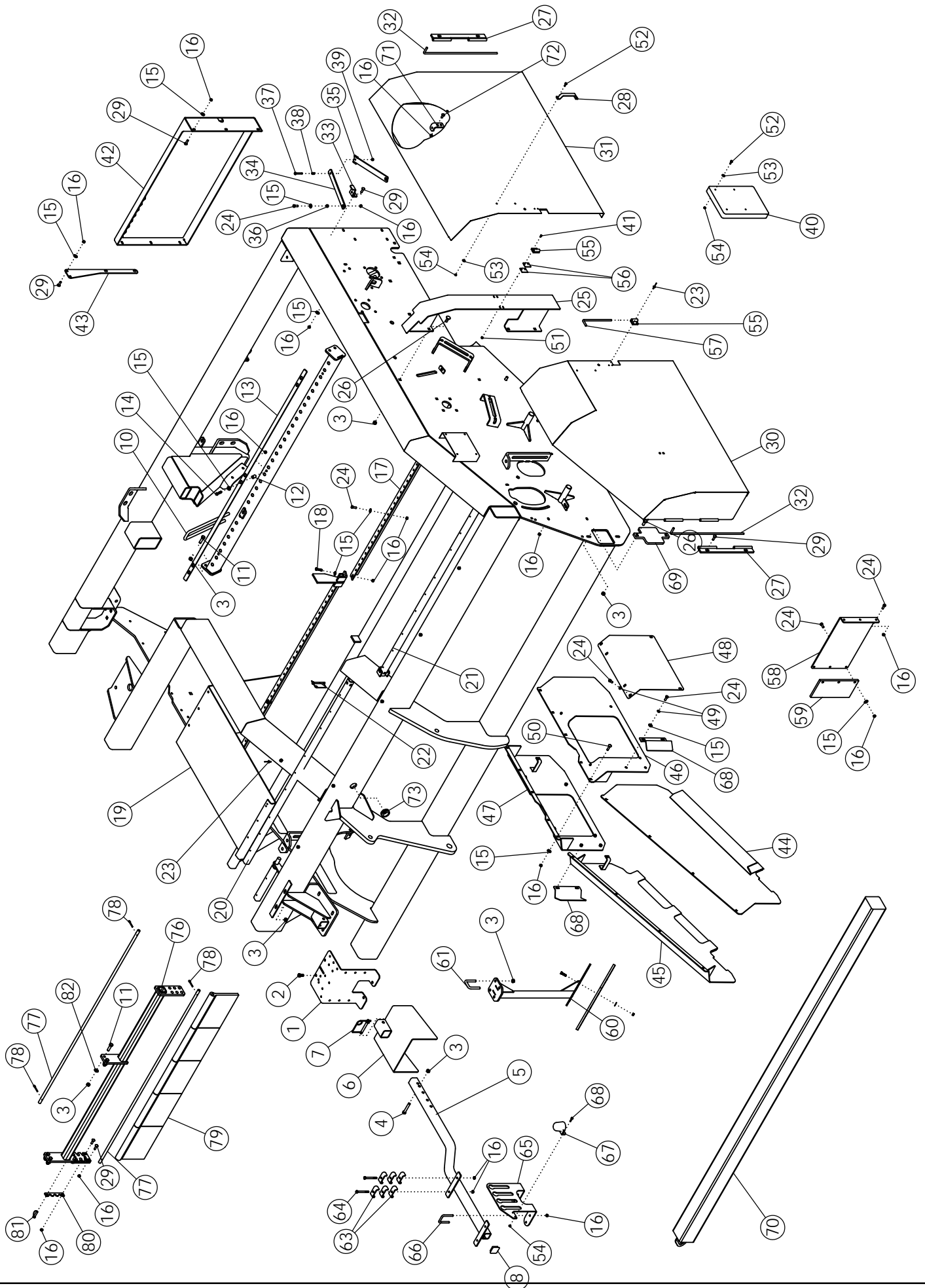
ITEM	PART NO.	DESCRIPTION	QTY
41	51136	UNIBALL COUPLING	1
42	1029137	PIN-COTTER: .13 X 1.00 ZP	1
43	1011285	BOLT-HEX: .31 X 2.00 NC	2
44	63661	WLDMT-MOUNTING BRACKET	1
45	1011609	BOLT-HEX: .50 X 2.00 NC GR5 ZP	4
46	1011584	WASHER-FLAT: SAE .50 ZP	4
47	1011581	WASHER-LOCK: .50 ZP	8
48	1011577	NUT-HEX: .50 NC GR2 ZP	12
49	63662	WLDMT-MOUNTING SUPPORT	2
50	63664	BOLT-HEX: .75 X 14.00 NC GR5 ZP	1
51	1013537	NUT-TOPLOCK: .75 NC GR5 ZP	2
52	53984	U-BOLT 1/2 X 7 X 6 X 7	2
53	62882	WLDMT-TIGHTENER 11.125" ZP	1
54	1011748	ZERK - GREASE	3
55	56939	BUSHING-OILITE:1.25 X 1.625 X 1.50L	4
56	52654	BUSHING	2



# GUARDS AND SHIELDS FRONT

ITEM	PART NO.	DESCRIPTION	QTY
1	72071	PLATE-HOSE MOUNT	1
2	1011096	BOLT-HEX: .50 X 1.00 NC GR5 ZP	2
3	1027461	NUT-TOPLOCK: .50 NC GR5 ZP	61
4	1011611	BOLT-HEX: .50 X 3.00 NC GR5 ZP	1
5	301210	WLDMT-HYD HOSE HOLDER	1
6	63354	WLDMT-PTO SHIELD	1
7	52408	SPRING PIN .50 X 3.50	1
8	301129	CAPLUG-2" SQ	1
9	73256	WLDMT-FRONT MOUNT 12R SHORT	2
10	300261	U-ROD: .625 X 17.00 X 1.875 X 17.00 ZP	30
11	1011608	BOLT-HEX: .50 X 1.75 NC GR5 ZP	8
12	58446	SPACER ZP	6
13	73255	STRAP	2
14	1011603	BOLT-HEX: .38 X 1.75 NC GR5 ZP	6
15	1011828	WASHER-FLAT .38 ZP	119
16	1016999	NUT-TOPLOCK: .38 NC GR5 ZP	130
17	72074	MOUNT-TARP	4
18	1011602	BOLT-HEX: .38 X 1.50 NC GR5 ZP	8
19	58961	APRON-RUBBER	12
20	72073	TUBE-INNER APRON MOUNT	2
21	72077	TUBE-OUTER APRON MOUNT	2
22	59101	SPRING PIN .38 X 3.00	4
23	1011974	RIVET-POP: .19 X .53 ZP	44
24	1011600	BOLT-HEX: .38 X 1.00 NC GR5 ZP	64
25	72666	WLDMT-DOOR MOUNT	2
26	1023854	BOLT-CRG: .50 X 1.25 NC GR5 ZP	4
27	72680	WLDMT-DOOR HINGE	4
28	68715	HANDLE-GRAB DOOR	4
29	1016362	BOLT-CRG: .38 X 1.25 NC GR5 ZP	24
30	72651	WLDMT-FRONT DOOR LH	1
	72655	WLDMT-FRONT DOOR RH (NOT SHOWN)	1
31	72661	WLDMT-REAR DOOR LH	1
	72664	WLDMT-REAR DOOR RH (NOT SHOWN)	1
32	51303	DOOR HINGE ROD ZP	4
33	72696	PLATE-DOOR TAB	4
34	72692	PLATE-DOOR LOCK	4
35	72694	WLDMT-DOOR LOCK	4
36	51973	BUSHING-LINKAGE	8
37	1011285	BOLT-HEX: .31 X 2.00 NC	4
38	65278	SPRING-SCRAPER	4
39	1030700	NUT-TOPLOCK: .31 NC GR5 ZP	4

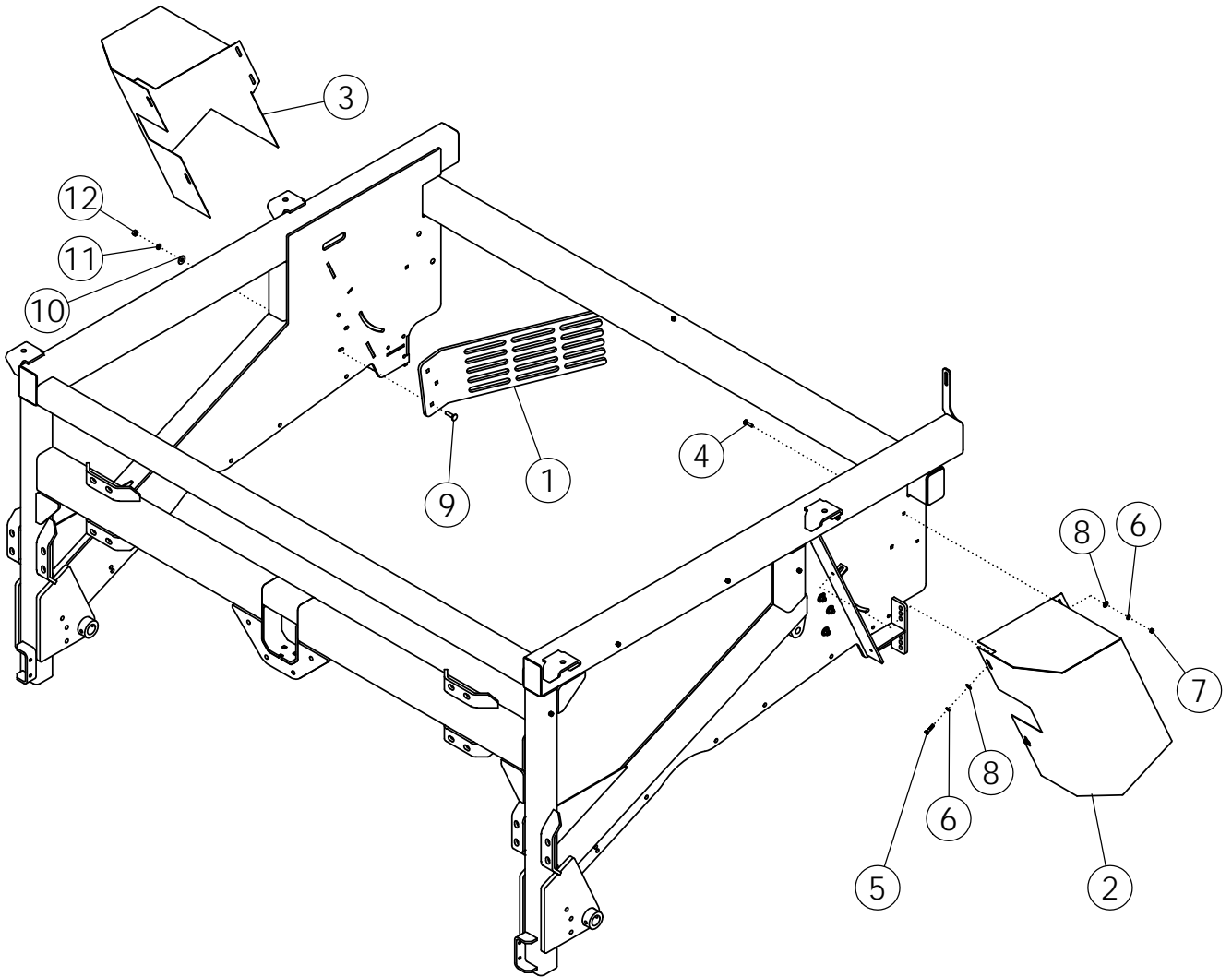
CONTINUED





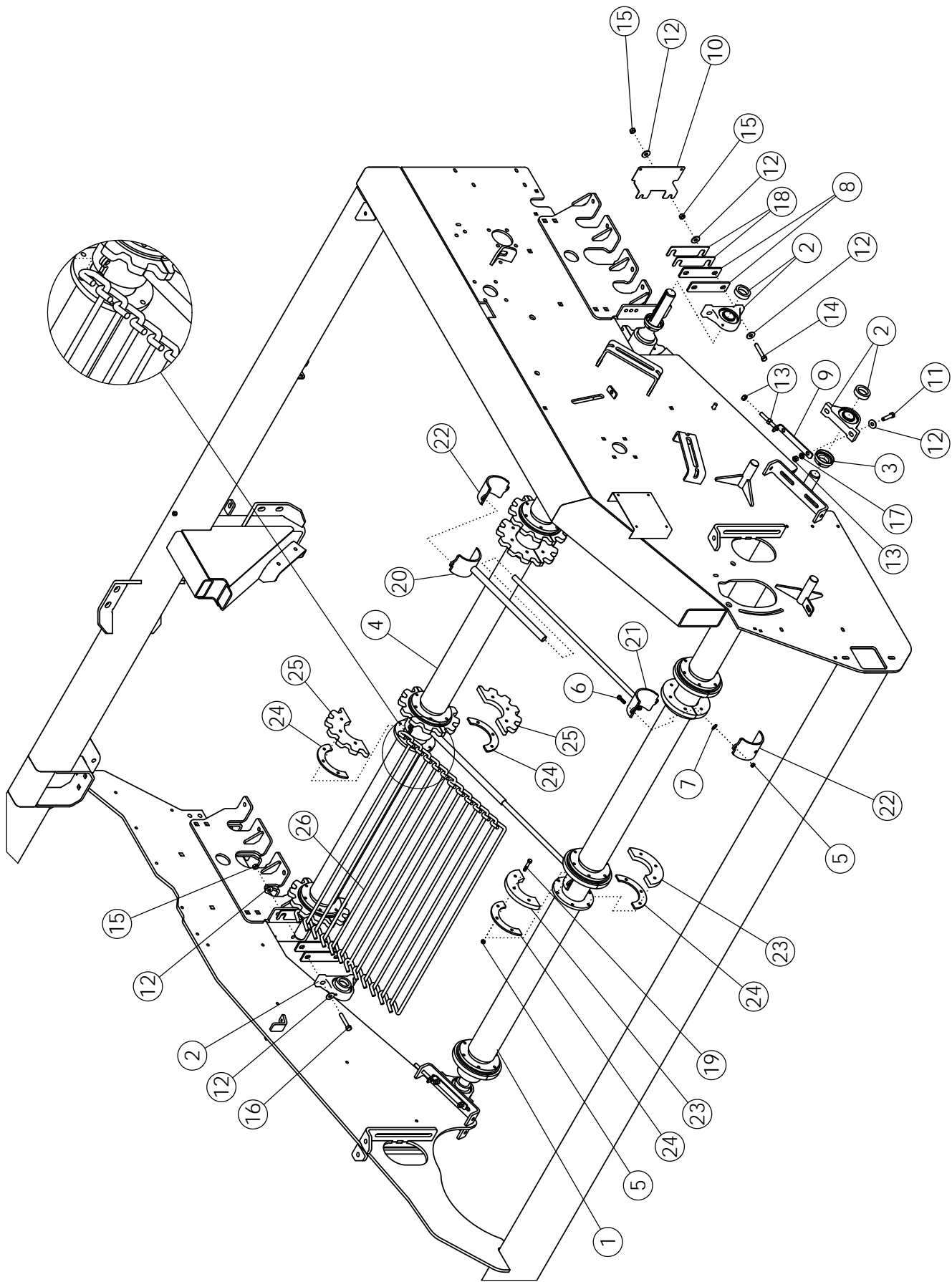
## GUARDS AND SHIELDS FRONT (CONTINUED)

ITEM	PART NO.	DESCRIPTION	QTY
40	64635	CASE-MANUAL STORAGE	1
41	1013462	SCREW-R-H-SL: .19 X .50 NC GR2	8
42	72873	WLDMT-SHIELD REAR	2
43	72870	PLATE-SHIELD MOUNT	2
44	72783	WLDMT-MIDDLE SHIELD FRONT LEFT	1
45	72784	WLDMT-MIDDLE SHIELD FRONT RH	1
46	73148	WLDMT-MIDDLE SHIELD REAR LH	1
47	73149	WLDMT-MIDDLE SHIELD REAR RH	1
48	73158	SHEET-COVER	2
49	1011586	WASHER-LOCK: .38 ZP	12
50	58679	BOLT-CRG: .38 X 1.50 NC GR5 ZP	11
51	1026591	NUT-K-LOCK: #10-24 NC GR2 ZP	8
52	1011595	BOLT-HEX: .25 X .75 NC GR5 ZP	12
53	1020416	WASHER-FLAT: .25 ZP	12
54	1030946	NUT-TOPLOCK: .25 NC GR5 ZP	14
55	69140	WLDMT-DOOR LATCH ZP	8
56	69141	PLATE-DOOR LATCH SPACER	12
57	51304	DOOR LOCK ZP	4
58	72573	PLATE-FILLER 5.625" 12R22	2
	72574	PLATE-FILLER 21.875" 8R30	
59	51680	DEFLECTOR-RUBBER	2
60	62378	WLDMT-DEFLECTOR	AR
61	65658	U-BOLT: .50 X 3 X 2.063 X 3	AR
62	1013423	BOLT-HEX: .25 X 1.00 NC GR5 ZP	2
63	50714	CLAMP-1/2" ZP	12
64	58176	BOLT-HEX: .38 X 3.50 NC GR5 ZP	4
	1015174	BOLT-HEX: .38 X 2.50 NC GR5 ZP	
65	301212	PLATE-HYD HOSE END HOLDER	1
66	33162	U-BOLT: .375 X 3 X 2 X 3	2
67	223329	HOLDER-LIGHT PLUG	1
68	301291	PLATE-FILLER SHIELD APRON/GRAB	2
69	301328	PLATE-END CAP	2
70	301330	WLDMT-BALLAST WEIGHT (OPTIONAL)	2
71	72697	PLATE-DOOR TAB	4
72	59488	BOLT-CRG: .38 X 1.00 NC GR5 ZP	8
73	301025	GROMMET-RUBBER 1.50" ID	1
74	51687	DEFLECTOR-RUBBER (8R30 ONLY)	6
75	1011601	BOLT-HEX: .38 X 1.25 NC GR5 ZP (8R30 ONLY)	24
76	300232	WLDMT-FRONT CLEANING FLAP	2
77	300237	SHAFT-FRONT CLEANING FLAP	4
78	1013473	PIN-COTTER: .19 X 2.00 ZP	8
79	64648	FLAP RUBBER	10
80	300238	PLATE-LOCKING	4
81	66952	PIN-WIRE LOCK: .375 X 2.00	4
82	1011584	WASHER-FLAT: SAE .50 ZP	12



## REAR GUARDS AND SHIELDS

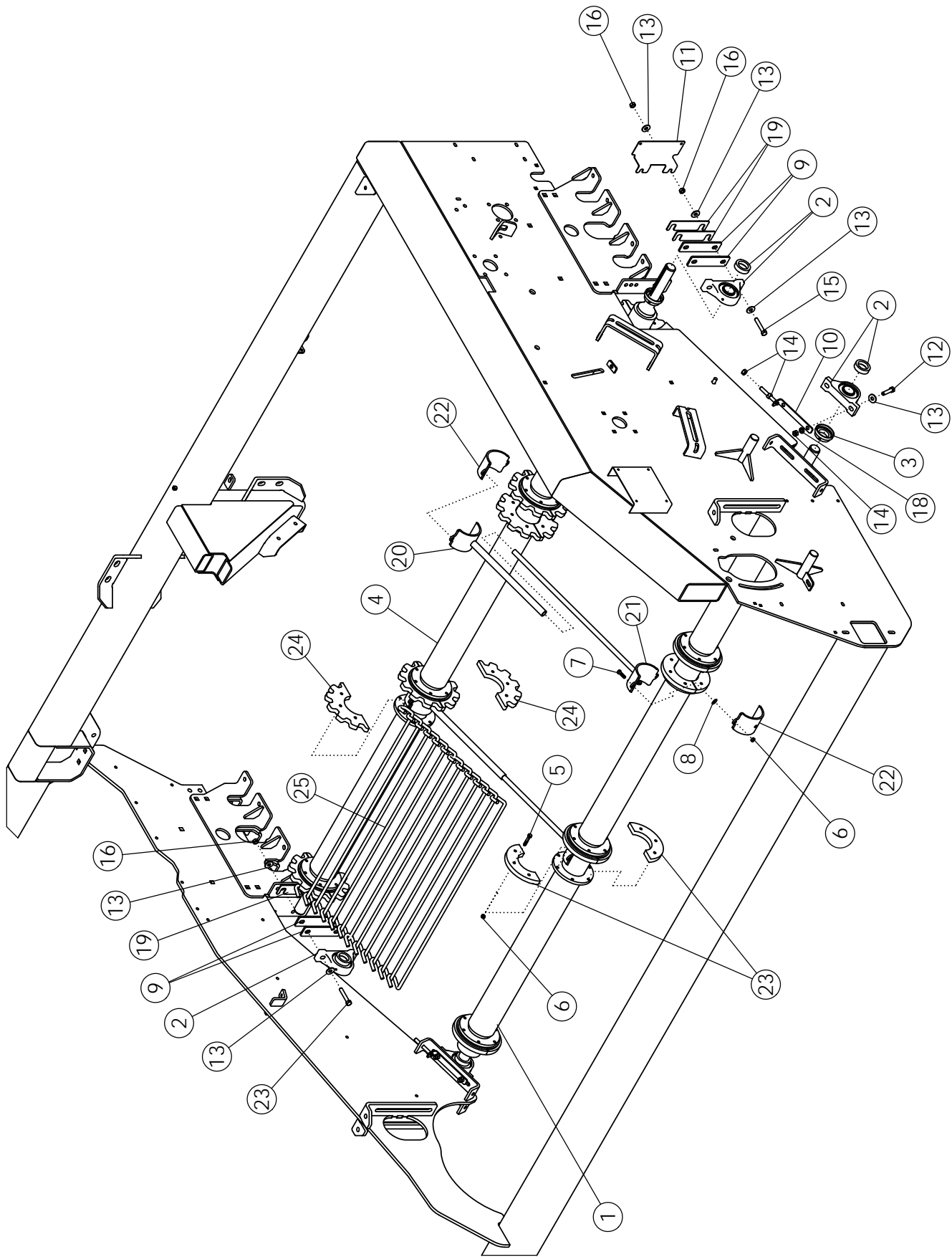
ITEM	PART NO.	DESCRIPTION	QTY
1	300209	PLATE-DEFLECTOR	2
2	301165	WLDMT-REAR SHIELD LH	1
3	301166	WLDMT-REAR SHIELD RH	1
4	58679	BOLT-CRG: .38 X 1.50 NC GR5 ZP	4
5	1011602	BOLT-HEX: .38 X 1.50 NC GR5 ZP	4
6	1011586	WASHER-LOCK: .38 ZP	8
7	1030296	NUT-HEX: .38 NC GR5 NP	4
8	1011828	WASHER-FLAT .38 ZP	8
9	59517	BOLT-CRG: .50 X 1.75 NC GR5 ZP	6
10	1014443	WASHER-FLAT: .50 ZP	6
11	1011581	WASHER-LOCK: .50 ZP	6
12	1011577	NUT-HEX: .50 NC ZP	6



# APRON SHAFT - 1/2" CHAIN / BELT

ITEM	PART NO.	DESCRIPTION	QTY
1	63394	WLDMT- BOTTOM APRON SHAFT	2
2	52405	BEARING-PILLOW 1-3/4"	8
3	52382	SEAL PROTECTOR 1-3/4"	4
4	72555	WLDMT-TOP APRON SHAFT	2
5	1016999	NUT-TOPLOCK: .38 NC GR5 ZP	160
6	64991	BOLT-HEX: .38 X 1.25 NC GR8 ZP	16
7	1011828	WASHER-FLAT .38 ZP	16
8	56672	SHIM-BEARING	8
9	72606	WLDMT-ADJUSTER LOWER APRON ZP	4
10	72472	GUARD-BELT	2
11	1017708	BOLT-HEX: .50 X 2.25 NC GR5 ZP	8
12	1014443	WASHER-FLAT: .50 ZP	32
13	1011577	NUT-HEX: .50 NC ZP	4
14	1011611	BOLT-HEX: .50 X 3.00 NC GR5 ZP	8
15	1027461	NUT-TOPLOCK: .50 NC GR5 ZP	16
16	1011610	BOLT-HEX: .50 X 2.50 NC GR5 ZP	4
17	1011581	WASHER-LOCK: .50 ZP	8
18	300146	SHIM-BEARING .120 THK	8

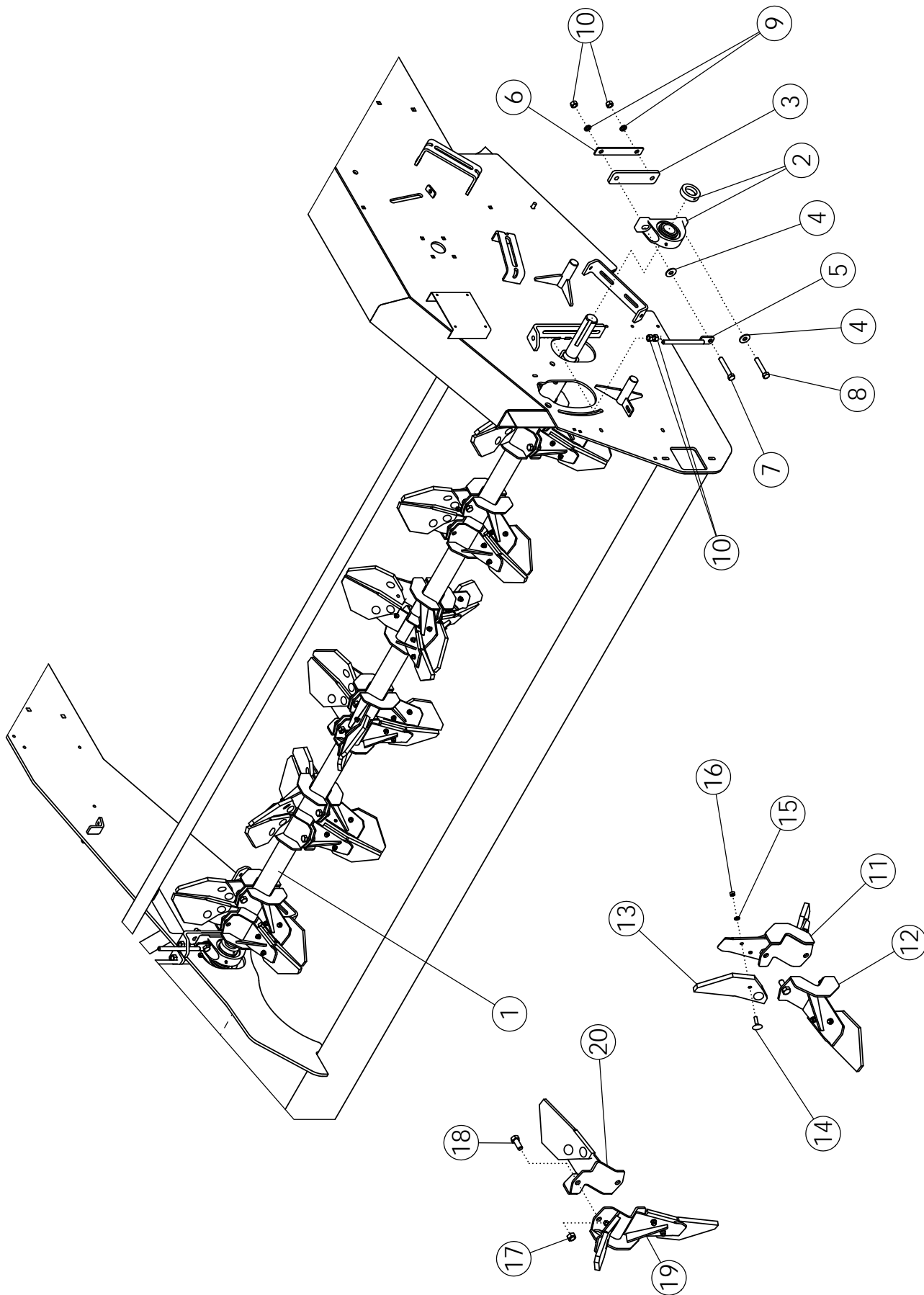
ITEM	PART NO.	DESCRIPTION	QTY
	CHAIN	BELT	
19	1011725	- BOLT-HEX: .38 X 2.00 NC GR5 ZP	144
	-	1011603 BOLT-HEX: .38 X 1.75 NC GR5 ZP	
20	64162	- WLDMT-UPPER FILLER	4
	-	301532 WLDMT-UPPER FILLER 4" SHAFT WIDE	
21	64161	- WLDMT-LOWER FILLER	4
	-	301531 WLDMT-LOWER FILLER 4" SHAFT WIDE	
22	64159	- CLAMP-FILLER PAINTED	8
	-	301533 CLAMP-FILLER 4" SHAFT WIDE PAINTED	
23	58322	- HALF-DISC	24
	-	63414 DISC-SPLIT COUNTER BORED	
24	62836	N/A DISC-HALF SPACER ZP	48
25	58318	- SPROCKET-HALF 2.38	24
	-	301075 SPROCKET-SPLIT 56MM 5/8 ROD 14T CB 4" SHA	
26	53844	- CHAIN 1/2 X 42 X 2.38 - 23LPR	12
	-	59560 BELT-56MM APRON 1/2 X 42 (48 LPR)	6



# APRON SHAFT - 5/8" CHAIN / BELT

ITEM	PART NO.	DESCRIPTION	QTY
1	63394	WLDMT- BOTTOM APRON SHAFT	2
2	52405	BEARING-PILLOW 1-3/4"	8
3	52382	SEAL PROTECTOR 1-3/4"	4
4	72555	WLDMT-TOP APRON SHAFT	2
5	1011603	BOLT-HEX: .38 X 1.75 NC GR5 ZP	144
6	1016999	NUT-TOPLOCK: .38 NC GR5 ZP	160
7	64991	BOLT-HEX: .38 X 1.25 NC GR8 ZP	16
8	1011828	WASHER-FLAT .38 ZP	16
9	56672	SHIM-BEARING	8
10	72606	WLDMT-ADJUSTER LOWER APRON ZP	4
11	72472	GUARD-BELT	2
12	1017708	BOLT-HEX: .50 X 2.25 NC GR5 ZP	8
13	1014443	WASHER-FLAT: .50 ZP	32
14	1011577	NUT-HEX: .50 NC ZP	8
15	1011611	BOLT-HEX: .50 X 3.00 NC GR5 ZP	4
16	1027461	NUT-TOPLOCK: .50 NC GR5 ZP	16
17	1011610	BOLT-HEX: .50 X 2.50 NC GR5 ZP	4
18	1011581	WASHER-LOCK: .50 ZP	8
19	300146	SHIM-BEARING .120 THICK	8

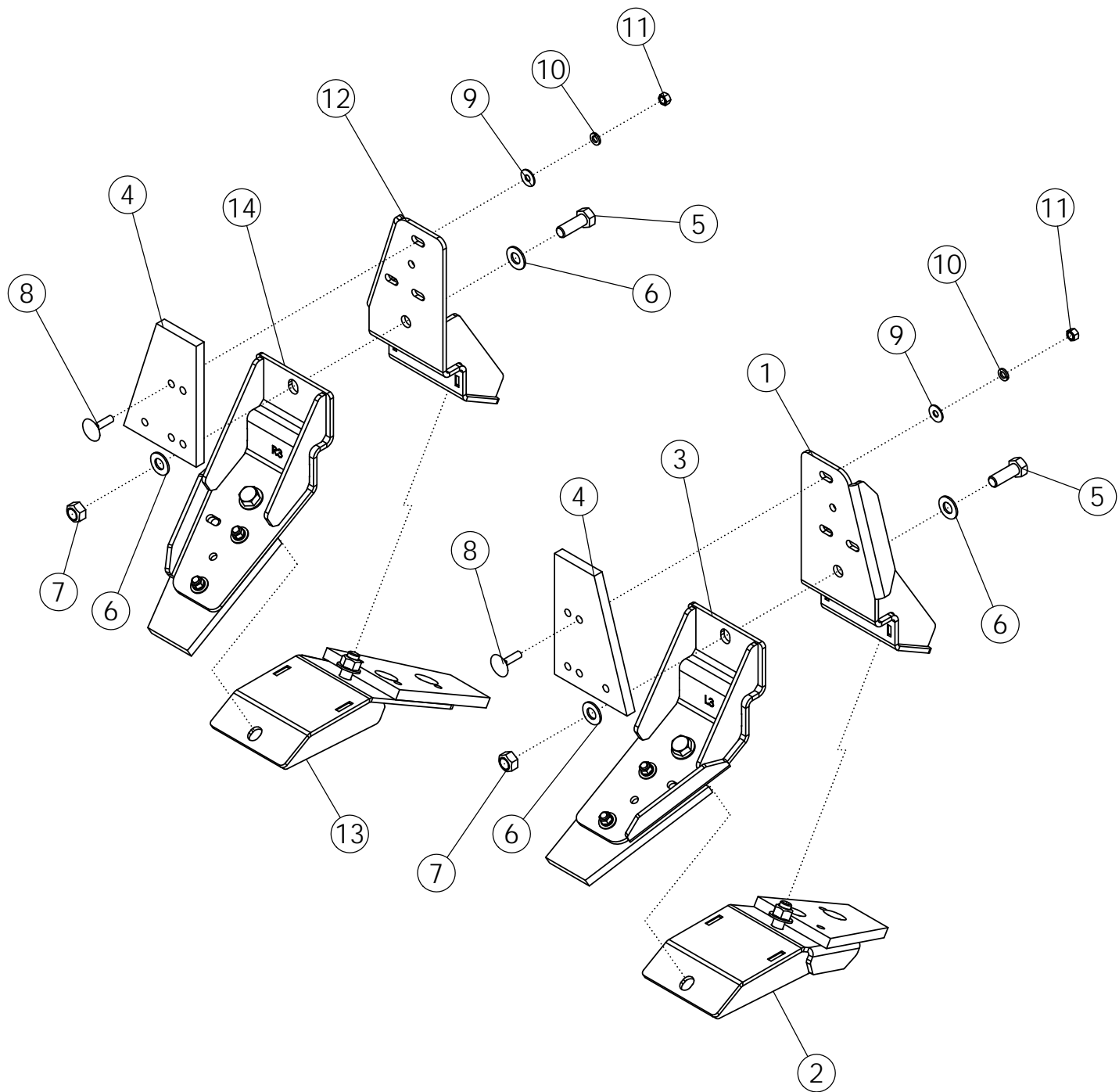
ITEM	PART NO.		DESCRIPTION	QTY
	CHAIN	BELT		
20	64162	-	WLDMT-UPPER FILLER	4
	-	301532	WLDMT-UPPER FILLER 4" SHAFT WIDE	
21	64161	-	WLDMT-LOWER FILLER	4
	-	301531	WLDMT-LOWER FILLER 4" SHAFT WIDE	
22	64159	-	CLAMP-FILLER PAINTED	8
	-	301533	CLAMP-FILLER 4" SHAFT WIDE PAINTED	
23	58322	-	HALF-DISC	24
	-	63414	DISC-SPLIT COUNTER BORED	
24	58318	-	SPROCKET-HALF 2.38	24
	-	301075	SPROCKET-SPLIT 56MM 5/8 ROD 14T CB 4" SHAFT	
25	53846	-	CHAIN 5/8 X 42 X 2.38 - 23LPR	12
	-	69659	BELT-56MM APRON 5/8 X 42 (48 LPR)	





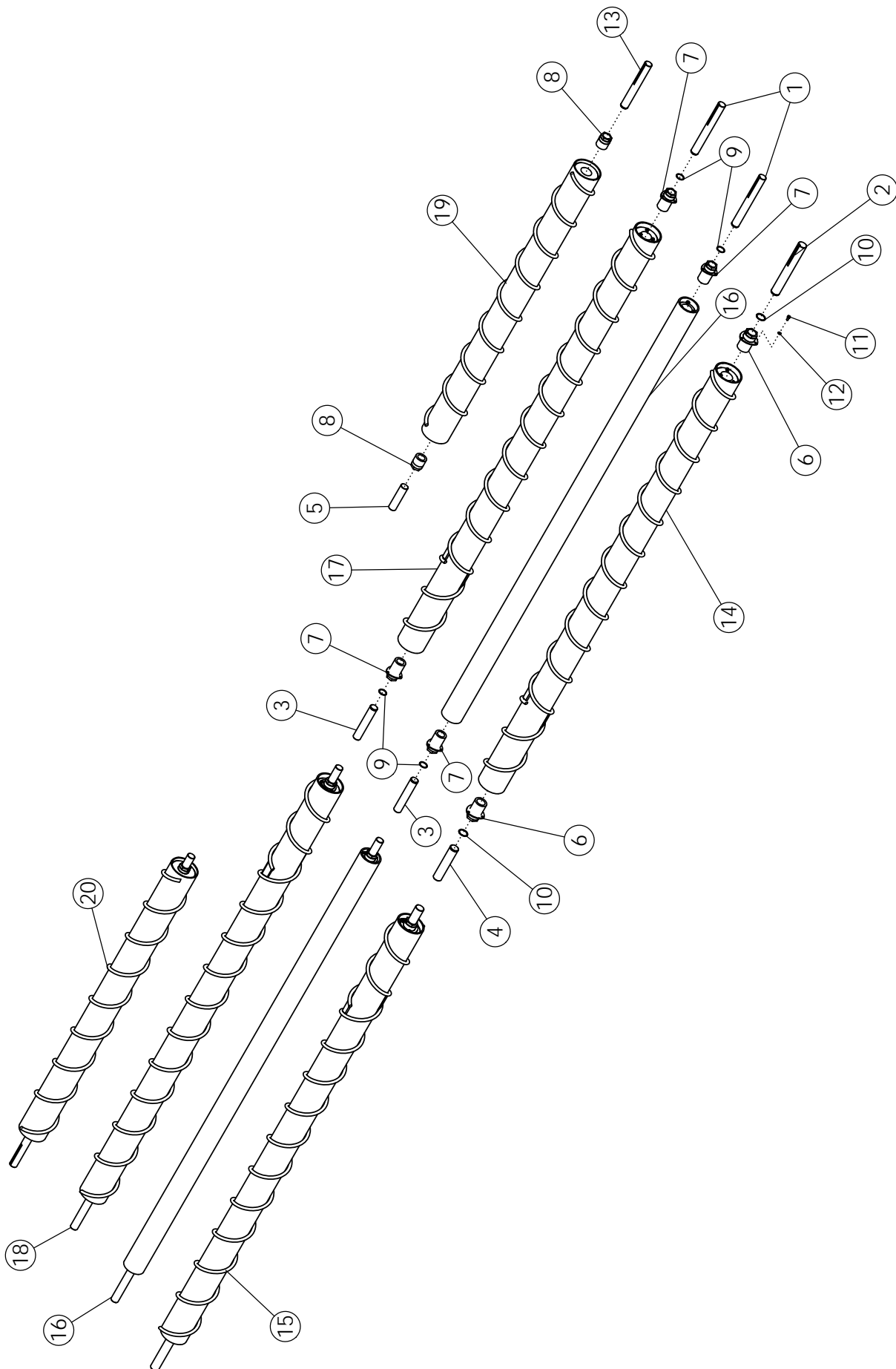
# PADDLE SHAFT

ITEM	PART NO.	DESCRIPTION	QTY
1	72035	WLDMT-PADDLE SHAFT 12R	2
2	57997	BEARING-PILLOW 2"	4
3	57996	SHIM-BEARING ZP	4
4	1013024	WASHER-FLAT: .63 ZP	8
5	51365	TIGHTENER BOLT	4
6	57998	PLATE-BACKING ZP	4
7	1016726	BOLT-HEX: .63 X 4.00 NC GR5 ZP	4
8	1014000	BOLT-HEX: .63 X 3.50 NC GR5 ZP	4
9	1011813	WASHER-LOCK: .63 ZP	8
10	1011578	NUT-HEX: .63 NC GR2 ZP	16
11	50719	WLDMT - PADDLE DOUBLE LH	12
12	50720	WLDMT - PADDLE LH SINGLE	12
13	51562	PADDLE-RUBBER	72
14	1030779	BOLT-ELEVATOR: .38 X 1.50 NC ZP	144
15	1011586	WASHER-LOCK: .38 ZP	144
16	1011576	NUT-HEX: .38 NC GR2 ZP	144
17	1016595	NUT-TOPLOCK: .63 NC GR5 ZP	48
18	1014349	BOLT-HEX: .63 X 1.50 NC GR5 ZP	48
19	50722	WLDMT - PADDLE DOUBLE RH	12
20	50721	WLDMT - PADDLE RH SINGLE	12



# HYBRID PADDLE ASSY

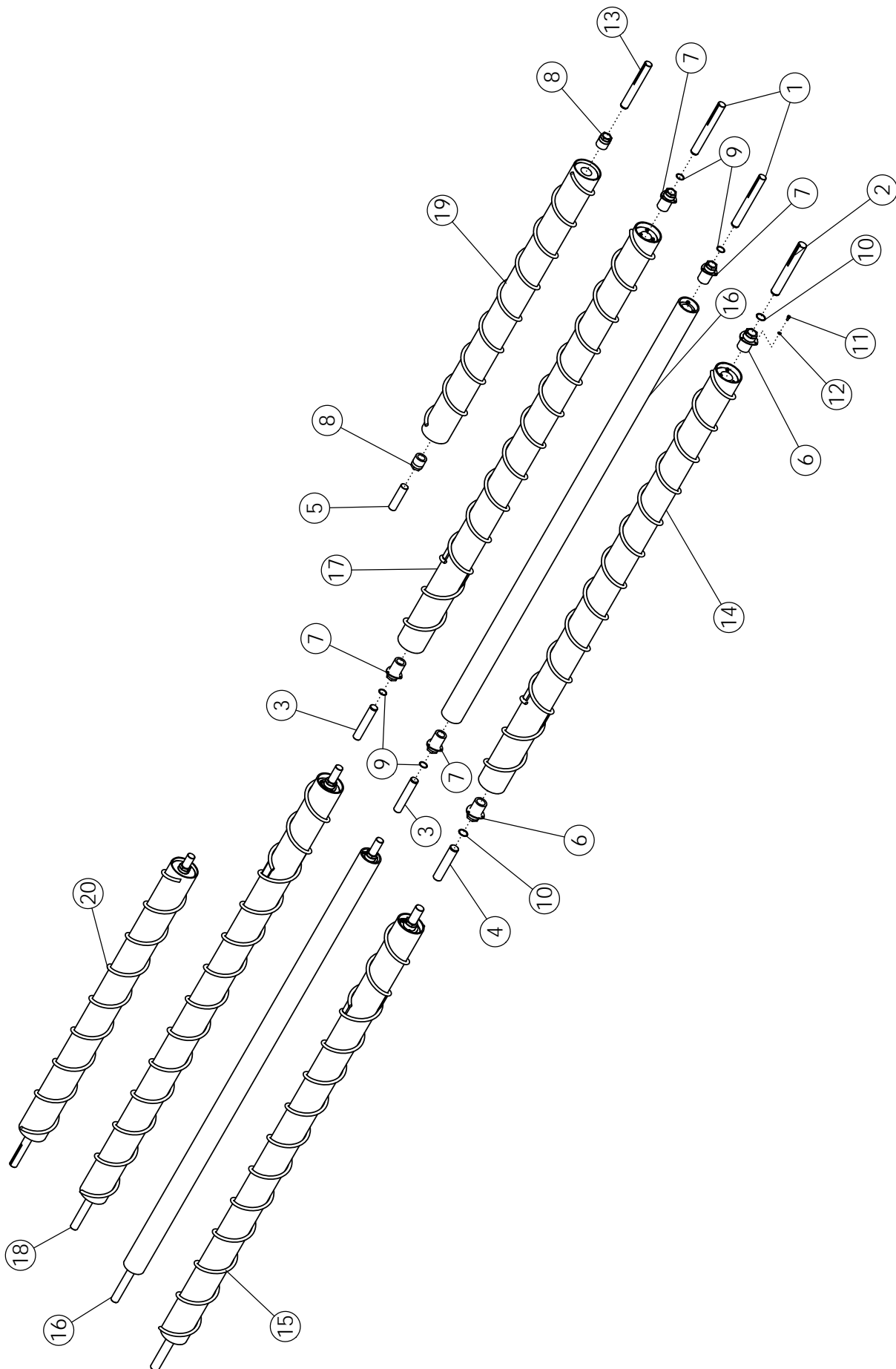
ITEM	PART NO.	DESCRIPTION	QTY
1	301863	WLDMT-PADDLE SPLIT LH 1	1
2	301867	WLDMT-PADDLE SPLIT LH 2	1
3	301871	WLDMT-PADDLE SPLIT LH 3	1
4	301875	PADDLE-RUBBER SOLID	6
5	1013918	BOLT-HEX .63 X 1.750 NC GR5 ZP	6
6	1013004	WASHER-FLAT: SAE .63 ZP	12
7	1016595	NUT-TOPLOCK: .63 NC GR5 ZP	6
8	1030779	BOLT-ELEVATOR:.38 X 1.50 NC ZP	18
9	1011828	WASHER-FLAT .38 ZP	18
10	1011586	WASHER-LOCK: .38 ZP	18
11	1011576	NUT-HEX: .38 NC GR2 ZP	18
12	301865	WLDMT-PADDLE SPLIT RH 1	1
13	301869	WLDMT-PADDLE SPLIT RH 2	1
14	301873	WLDMT-PADDLE SPLIT RH 3	1



# FRONT CLEANING ROLLS

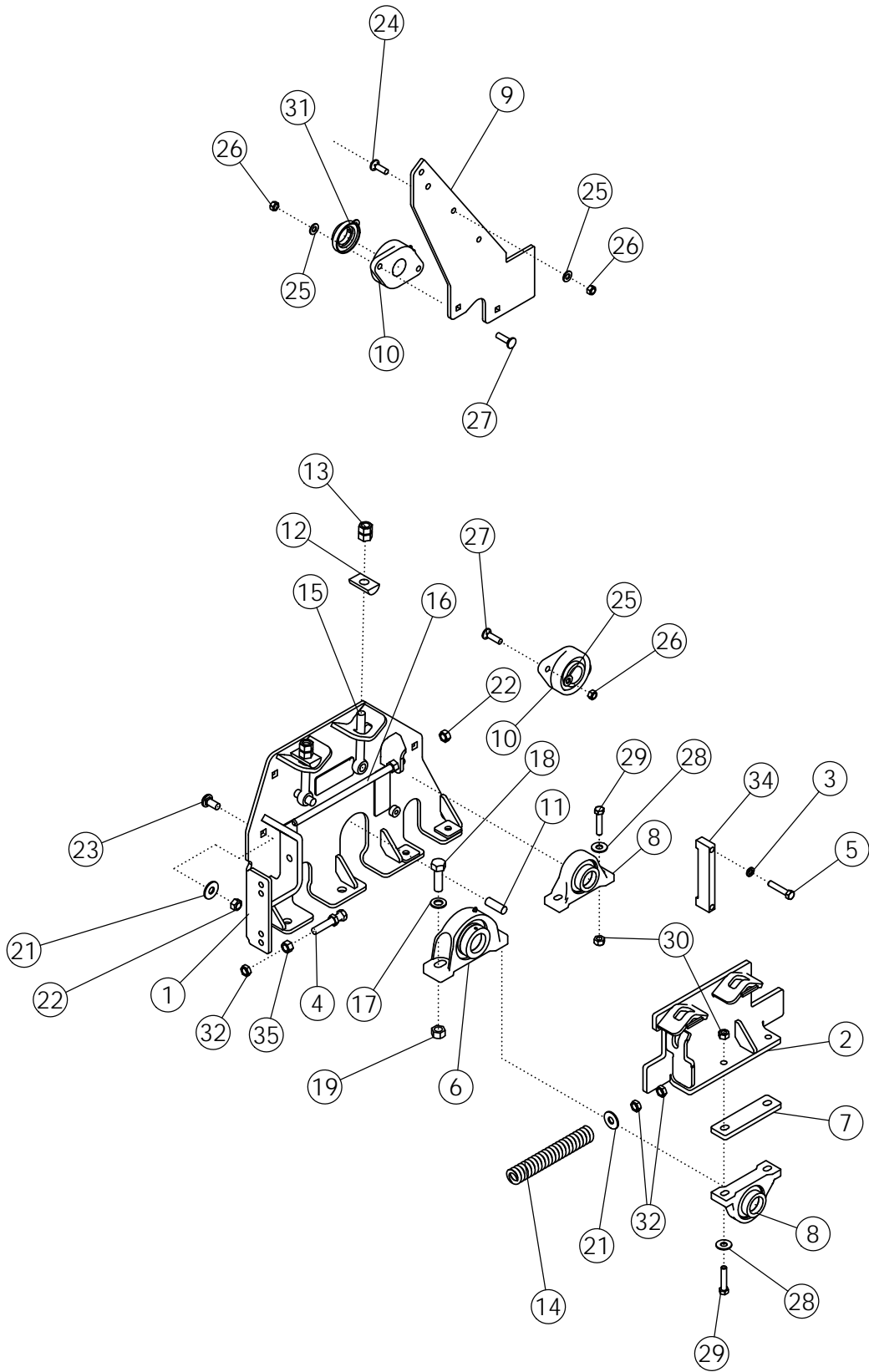
ITEM	PART NO.	DESCRIPTION	QTY
<b><u>PARTS COMMON TO ALL ROLLS</u></b>			
1	72542	SHAFT-#2,3,4 DRIVE END	4
2	72539	SHAFT-#1 DRIVE END	2
3	72543	SHAFT-#2,3 IDLER END	4
4	72540	SHAFT-#1 IDLER END	2
5	72794	SHAFT-STUB #4	2
6	64165	TRANTORQUE 2.00 X 3.375	4
7	64163	TRANTORQUE 1.75 X 3.375	8
8	58459	TRANTORQUE 1.75 HD	4
9	64184	RING-RETAINING 1.75	8
10	64185	RING-RETAINING 2.00	4
11	1011599	BOLT-HEX: .38 X .75 NC GR5 ZP	36
12	1011586	WASHER-LOCK: .38 ZP	36
13	72930	SHAFT-DRIVE #4 12R	2
<b><u>NUMBER ONE ROLL - - LEFT HAND (COMPLETE)</u></b>			
14	72533	WLDMT-#1LH SCROLLED-12R-STD-TT	1
	72547	WLDMT-#1LH SCROLLED-12R-POLY-TT	
	73022	WLDMT-#1LH SCROLLED-12R-HRD-TT	
<b><u>NUMBER ONE ROLL - - RIGHT HAND (COMPLETE)</u></b>			
15	72534	WLDMT-#1RH SCROLLED-12R-STD-TT	1
	72548	WLDMT-#1RH SCROLLED-12R-POLY-TT	
	73023	WLDMT-#1RH SCROLLED-12R-HRD-TT	
<b><u>NUMBER TWO ROLL (COMPLETE)</u></b>			
16	72541	ASSY-#2-12R-5.5" STD-TT	2
	72551	ASSY-#2,12R-5" POLY-TT	
<b><u>NUMBER THREE ROLL - -LEFT HAND (COMPLETE)</u></b>			
17	72544	WLDMT-#3LH SCROLLED-12R-STD-TT	1
	72553	WLDMT-#3LH SCROLLED-12R-POLY-TT	
	73024	WLDMT-#3LH SCROLLED-12R-HRD-TT	

CONTINUED



# FRONT CLEANING ROLLS (CONTINUED)

ITEM	PART NO.	DESCRIPTION	QTY
<b><u>NUMBER THREE ROLL - - RIGHT HAND (COMPLETE)</u></b>			
18	72545	WLDMT-#3RH SCROLLED-12R-STD-TT	1
	72554	WLDMT-#3RH SCROLLED-12R-POLY-TT	
	73025	WLDMT-#3RH SCROLLED-12R-HRD-TT	
<b><u>NUMBER FOUR ROLL - - LEFT HAND (COMPLETE)</u></b>			
19	73247	WLDMT-#4LH SCROLLED-12R-STD-TT	1
	73302	WLDMT-#4LH SCROLLED POLY-12R SHORT	
<b><u>NUMBER FOUR ROLL - - RIGHT HAND (COMPLETE)</u></b>			
20	73253	WLDMT-#4RH SCROLLED-12R-STD-TT	1
	73303	WLDMT-#4RH SCROLLED POLY-12R SHORT	

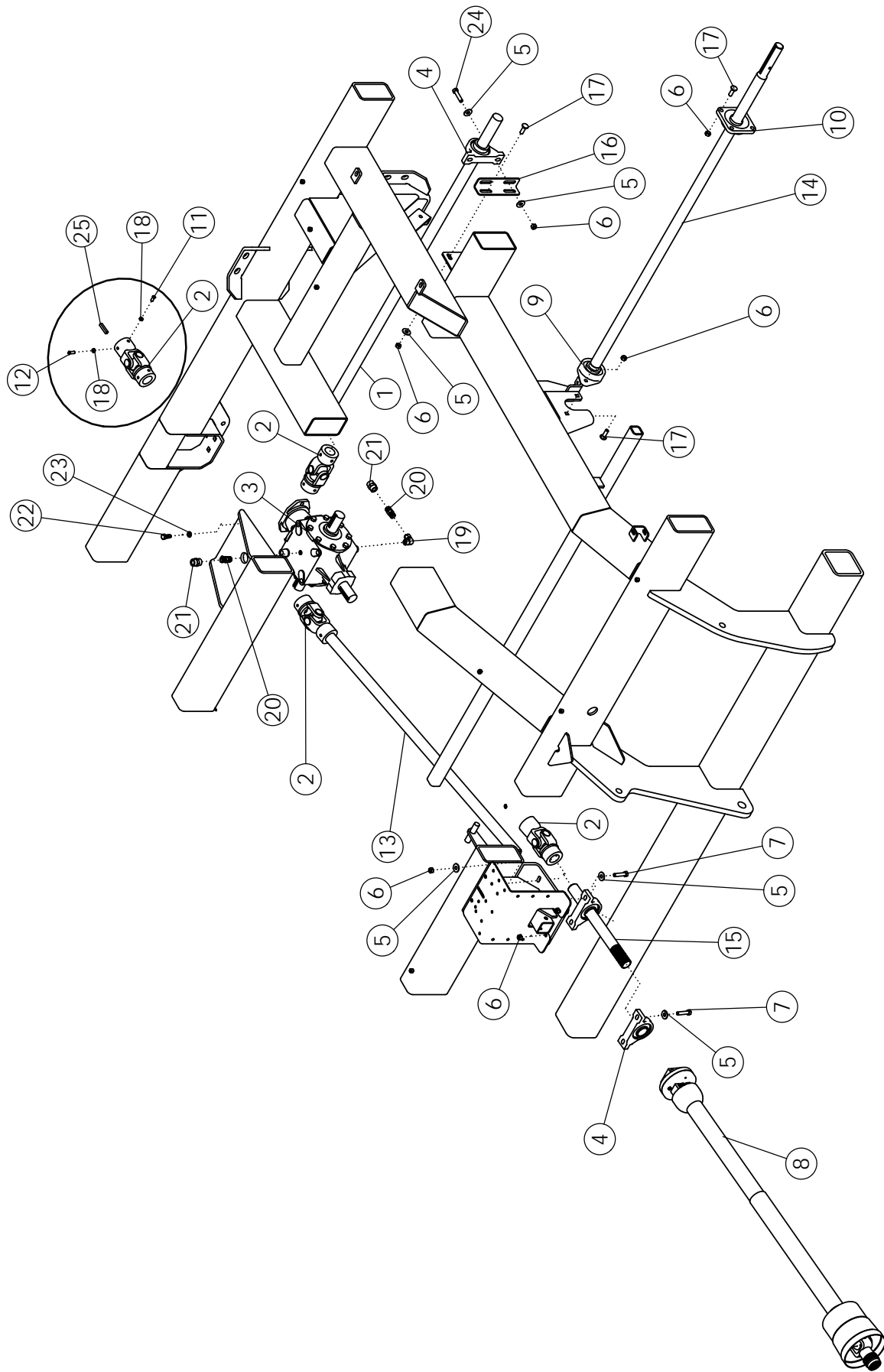




# FRONT CLEANING ROLL MOUNTING PACKAGE

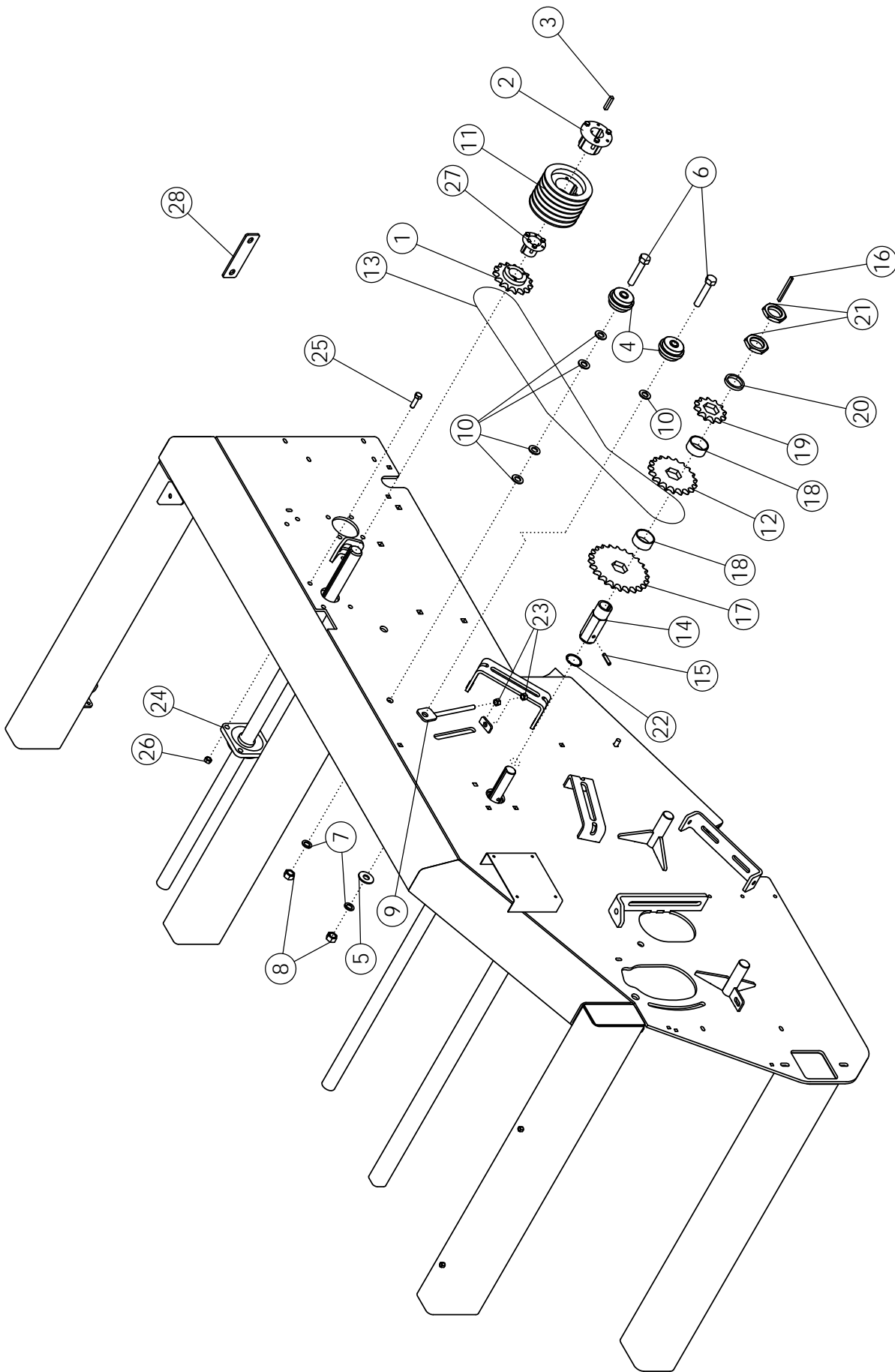
ITEM	PART NO.	DESCRIPTION	QTY
1	73132	WLDMT-MOUNT LH	2
	73133	WLDMT-MOUNT RH (NOT SHOWN)	2
2	73136	WLDMT-SLIDE MOUNT LH	2
	73137	WLDMT-SLIDE MOUNT RH (NOT SHOWN)	2
3	1011581	WASHER-LOCK: .50 ZP	8
4	1032273	BOLT-TAP: .63 X 3.50 NC GR5 ZP	4
5	1011610	BOLT-HEX: .50 X 2.50 NC GR5 ZP	8
6	57997	BEARING-PILLOW 2"	4
7	57792	SHIM-BEARING	4
8	52405	BEARING-PILLOW 1-3/4"	8
9	73272	MOUNT-#4 BEARING	2
10	62134	BEARING-FLANGE 1-3/4"	4
11	56675	ROD ZP	8
12	56680	HALF ROUND 1.5" ZP	8
13	1011620	NUT-HEX: .75 NC GR2 ZP	16
14	57878	SPRING 10"	4
15	56814	BOLT-EYEBOLT: .75 X 6.00 ZP	8
16	56815	WLDMT-BOLT & NUT ZP	4
17	1012634	WASHER-FLAT: SAE .75 ZP	8
18	1016598	BOLT-HEX: .75 X 2.50 NC GR5 ZP	8
19	1017000	NUT-TOPLOCK: .75 NC GR5 ZP	8
20	58635*	BOLT-CRG: .63 X 2.00 NC GR5 ZP (NOT SHOWN)	4
21	1013024	WASHER-FLAT: .63 ZP	16
22	1016595	NUT-TOPLOCK: .63 NC GR5 ZP	16
23	72063	BOLT-CRG: .63 X 1.50 NC GR5 ZP	8
24	1011607	BOLT-HEX: .50 X 1.50 NC GR5 ZP	4
25	1011584	WASHER-FLAT: SAE .50 ZP	12
26	1027461	NUT-TOPLOCK: .50 NC GR5 ZP	12
27	59517	BOLT-CRG: .50 X 1.75 NC GR5 ZP	8
28	59104	WASHER-FLAT: .56 GR8 ZP	16
29	59103	BOLT-HEX: .56 X 2.50 NC GR8 ZP	16
30	59105	NUT-TOPLOCK: .56 NC GR8 ZP	16
31	52383	LOCK PROTECTOR 1-3/4"	2
32	1026259	NUT-JAM: .63 NC GR2 ZP	16
33	57877*	SPRING 3" (NOT SHOWN)	4
34	56677	PLATE-RETAINING	4
35	1011578	NUT-HEX: .63 NC GR2 ZP	4

\* USED ON CENTER MOUNTS ONLY



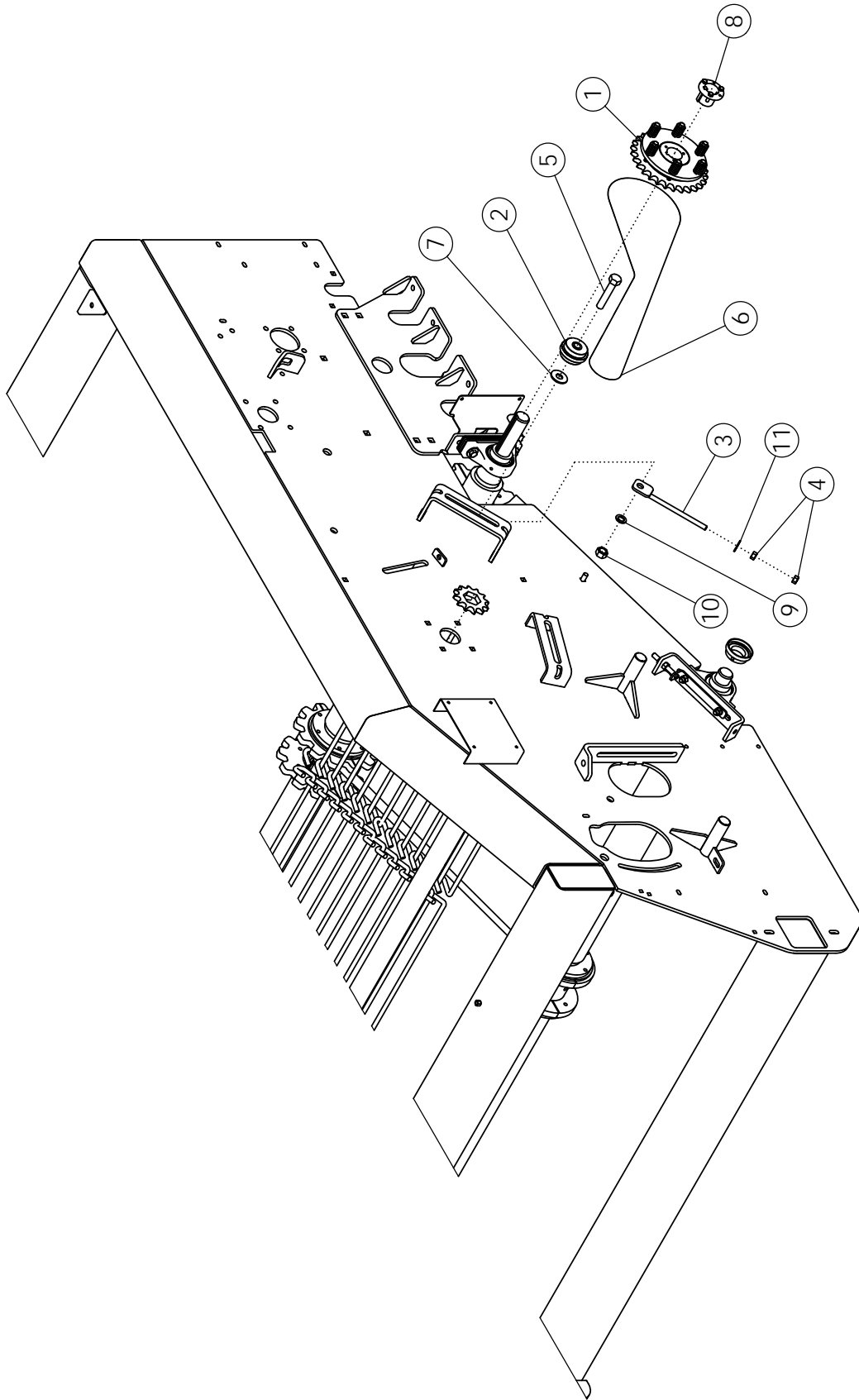
# MAIN DRIVE

ITEM	PART NO.	DESCRIPTION	QTY
1	73140	SHAFT-DRIVE CROSS 12R	2
2	53642	U-JOINT	4
3	300142	GEARBOX-PRAIRIE (1.82:1) W/ SAE C MOUNT	1
4	52405	BEARING-PILLOW 1.75"	4
5	1014443	WASHER-FLAT: .50 ZP	18
6	1027461	NUT-TOPLOCK: .50 NC GR5 ZP	24
7	1017708	BOLT-HEX: .50 X 2.25 NC GR5 ZP	4
8	301588	PTO-CV 1.75"-21 X 90 WEASLER (HRV)	1
9	62134	BEARING-FLANGE 1.75 2-BOLT	2
10	52404	BEARING-FLANGE 1.75	2
11	1030708	SCREW-SET: C-P .38 X .75 NC GR8	8
12	1030709	SCREW-SET: C-P .38 X 1.00 NC GR8	8
13	73141	SHAFT-DRIVE 12R FRONT	1
14	73143	SHAFT-JACK 1.750" 12R	2
15	72078	SPLINE SHAFT	1
16	68274	PLATE-BEARING SUPPORT	2
17	1011660	BOLT-CRG: .50 X 1.50 NC GR5 ZP	16
18	1013519	NUT-JAM: .38 NC GR2 ZP	16
19	64033	FTG-ELBOW: 8MP-8FP 90	1
20	69128	FTG-ADAPTER: 8MP-8MP 4" LONG	2
21	55730	FTG-ADAPTER: 8FP-8FP	2
22	1032509	BOLT-HEX: .63 X 1.25 NC GR5 ZP	4
23	1011813	WASHER-LOCK: .63 ZP	4
24	1011609	BOLT-HEX: .50 X 2.00 NC GR5 ZP	4
25	50152	KEY .38 X .38 X 2.00	8



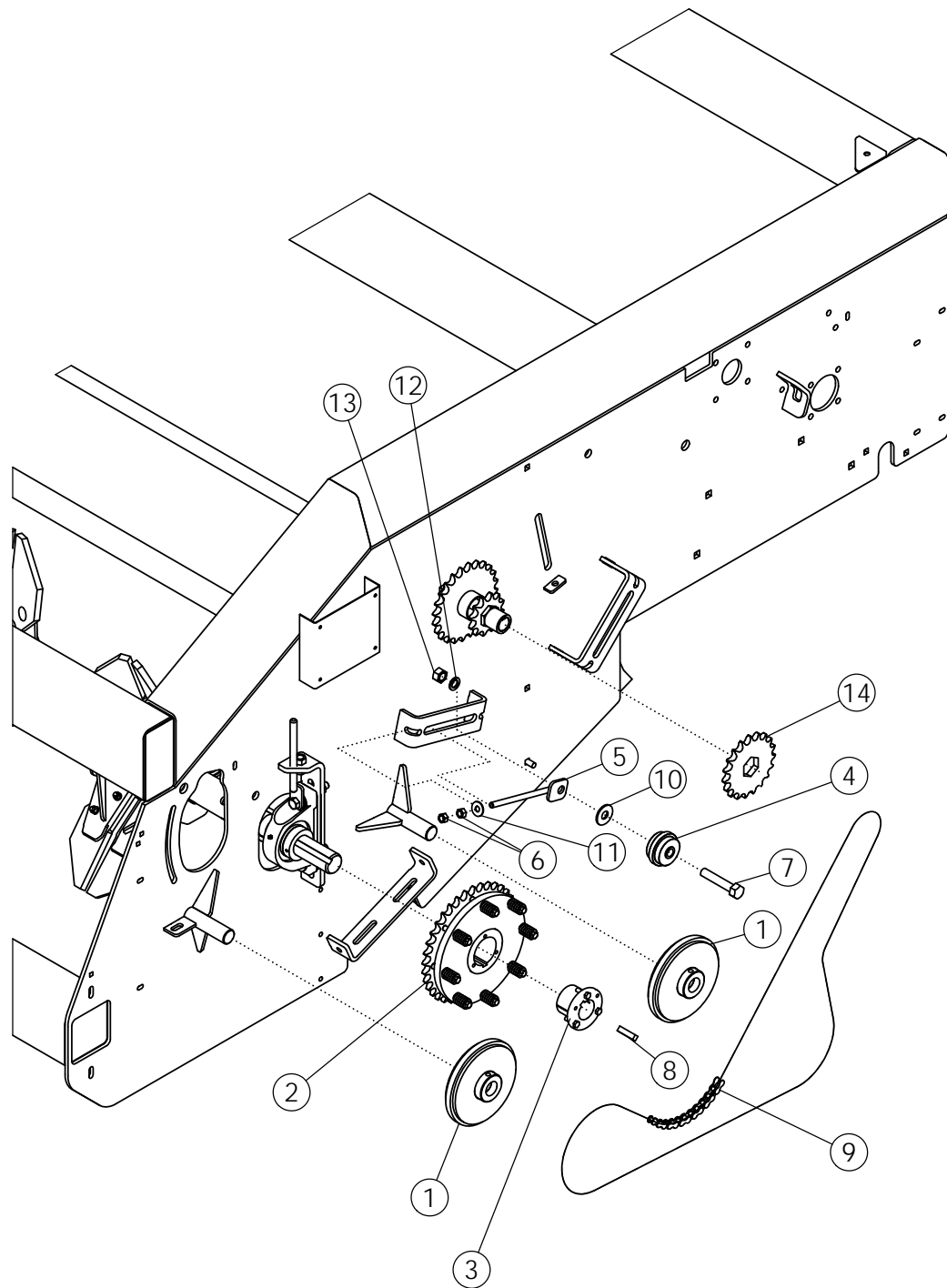
# MAIN DRIVE - SIDE COMPONENTS

ITEM	PART NO.	DESCRIPTION	QTY
1	64155	SPROCKET H80-P15	2
2	50335	HUB Q1 1.75"	2
3	50152	KEY .38 X .38 X 2.00	2
4	72080	IDLEMASTER X .75	4
5	1030702	WASHER-FLAT .75 ZP	2
6	1011625	BOLT-HEX: .75 X 4.00 NC GR5 ZP	4
7	1012061	WASHER-LOCK: .75 ZP	4
8	1011620	NUT-HEX: .75 NC GR2 ZP	4
9	56864	ADJUSTER - ZP	2
10	1012634	WASHER-FLAT: SAE .75 ZP	10
11	56646	SHEAVE 6TB62	2
	56647	SHEAVE 6TB68	
	53668	SHEAVE 6TB56	
12	72088	SPROCKET 8019 HEX BORE	2
	72509	SPROCKET 8015 HEX BORE (HYBRID PADDLES)	
13	72091	CHAIN-ROLLER 80H-1R-94	2
14	72082	HUB-HEX SPROCKET	2
15	72084	PIN-ROLL: .375 X 1.75 NP	2
16	72085	KEY .25 X .38 X 4.00	2
17	72086	SPROCKET 8024 HEX BORE	2
18	72087	SPACER	4
19	72089	SPROCKET 8012 HEX BORE	2
20	72470	PLATE-SPACER	2
21	72090	NUT-JAM 1.88-16UN 2B ZP	4
22	72083	RING-RETAINING	2
23	1011577	NUT-HEX: .50 NC GR2 ZP	4
24	52404	BEARING-FLANGE 1.75	2
25	1011608	BOLT-HEX: .50 X 1.75 NC GR5 ZP	8
26	1027461	NUT-TOPLOCK: .50 NC GR5 ZP	8
27	53641	HUB P1 1-3/4" (WITH KEY)	2
28	56672	SHIM-BEARING ZP (PLASTIC PADDLE ONLY)	16



# APRON SHAFT DRIVE

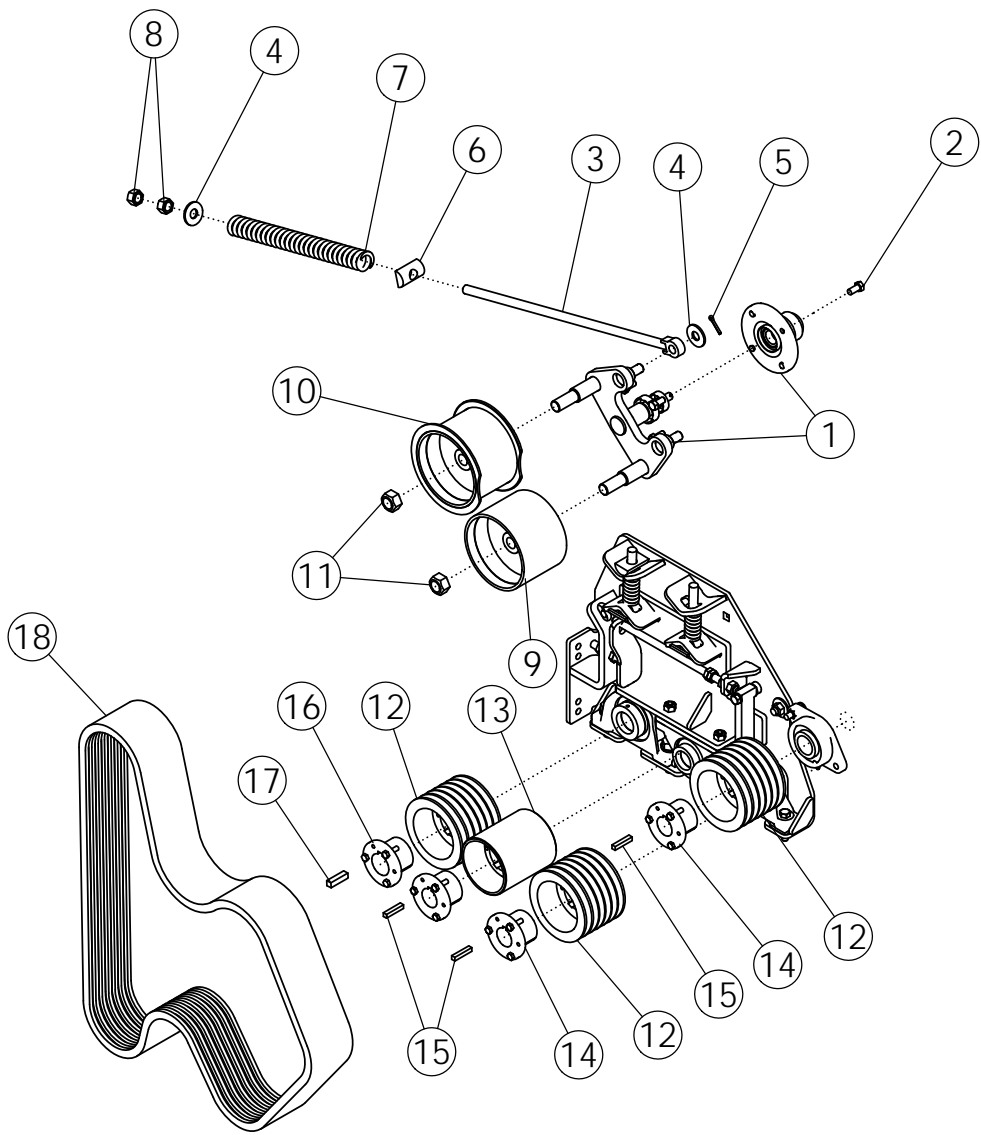
ITEM	PART NO.	DESCRIPTION	QTY
1	72030	SPROCKET-CLUTCH 80P28 PRESET	2
2	72080	IDLEMASTER X .75	2
3	56864	ADJUSTER - ZP	2
4	1011577	NUT-HEX: .50 NC GR2 ZP	4
5	1011625	BOLT-HEX: .75 X 4.00 NC GR5 ZP	2
6	72093	CHAIN-ROLLER 80H-1R-85	2
7	1030702	WASHER-FLAT .75 ZP	2
8	53641	HUB P1 1.75 (WITH KEY)	2
9	1012061	WASHER-LOCK: .75 ZP	2
10	1011620	NUT-HEX: .75 NC GR2 ZP	2
11	1014443	WASHER-FLAT: .50 ZP	2





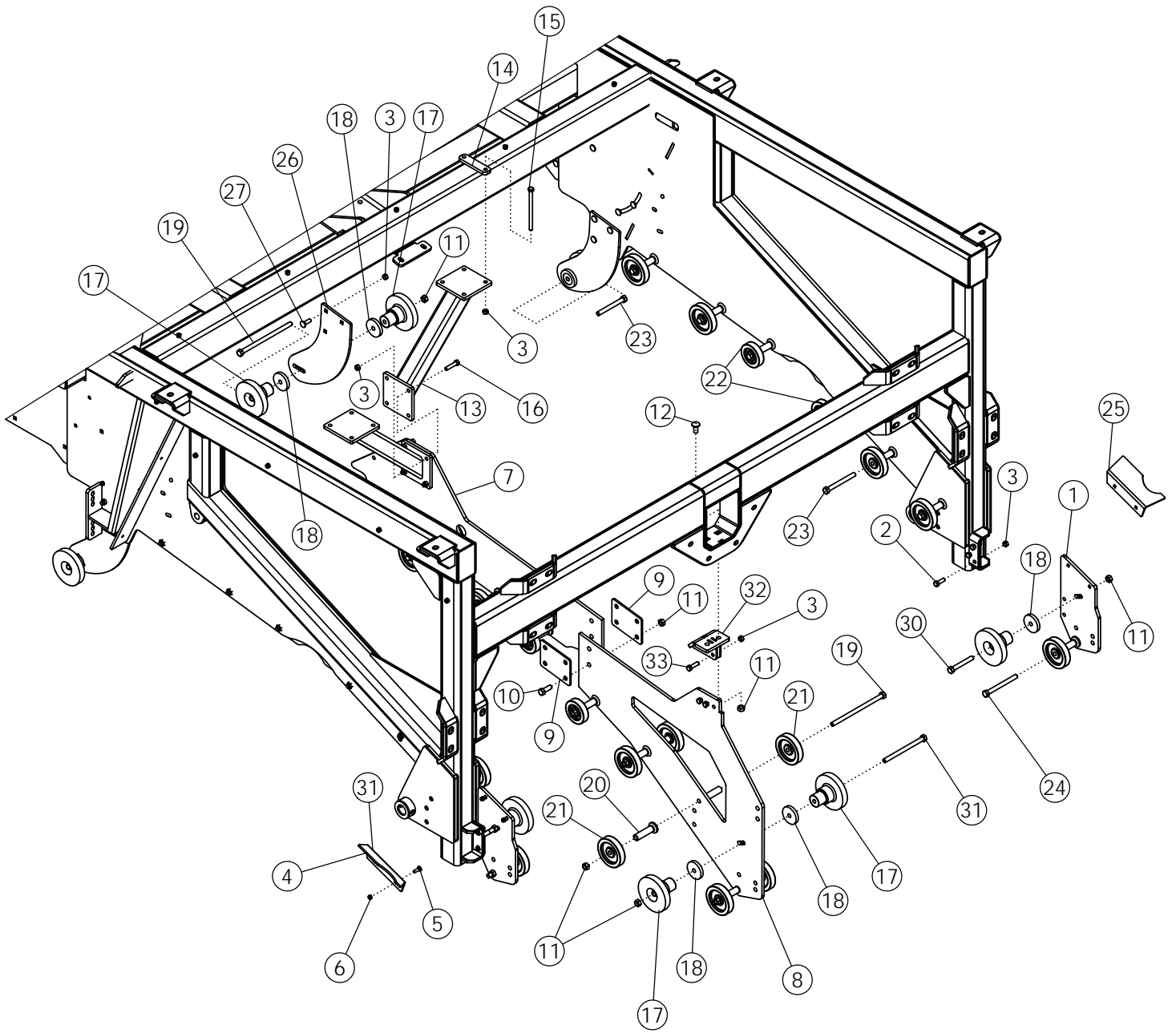
# PADDLE SHAFT DRIVE

ITEM	PART NO.	DESCRIPTION	QTY
1	56851	IDLEMASTER 8.50 X 1.44	4
2	57993	SPROCKET-CLUTCH 80Q36 PRESET	2
3	50385	HUB Q1 2"	2
4	72080	IDLEMASTER X .75	2
5	56864	ADJUSTER - ZP	2
6	1011577	NUT-HEX: .50 NC GR2 ZP	4
7	1011625	BOLT-HEX: .75 X 4.00 NC GR5 ZP	2
8	57995	KEY .50 X .50 X 2.00	2
9	72092	CHAIN-ROLLER 80H-1R-122	2
10	1030702	WASHER-FLAT: .75 ZP	2
11	1014443	WASHER-FLAT: .50 ZP	2
12	1012061	WASHER-LOCK: .75 ZP	2
13	1011620	NUT-HEX: .75 NC GR2 ZP	2
14	72088	SPROCKET 8019 HEX BORE	1
	72509	SPROCKET 8015 HEX BORE (HYBRID)	



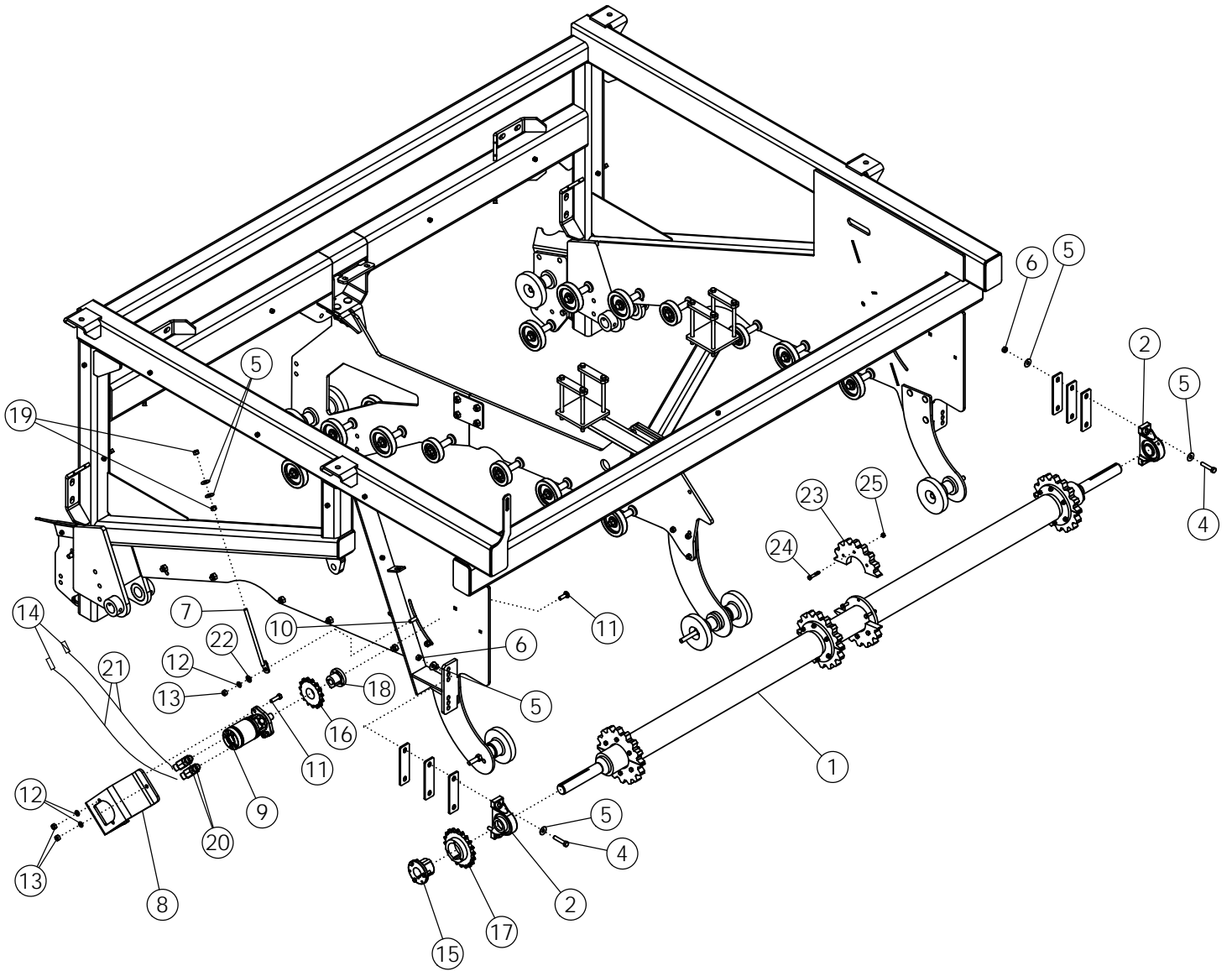
# FRONT CLEANING ROLL DRIVE

ITEM	PART NO.	DESCRIPTION	QTY
1	72058	ASSY-SPINDLE & HUB	2
2	1015558	BOLT-HEX: .50 X 1.00 NF GR5 ZP	8
3	72057	ROD END .75 X 27.50	2
4	1030702	WASHER-FLAT: .75 ZP	4
5	1012375	PIN-COTTER .19 X 1.50 NP	2
6	56680	HALF ROUND 1.5" ZP	2
7	56853	SPRING-BLACK	2
8	1011620	NUT-HEX: .75 NC GR2 ZP	4
9	50387	WLDMT-IDLER	2
10	57933	WLDMT- IDLER	2
11	1016969	NUT-TOPLOCK: 1.00 NC GR5 ZP	4
12	56646	SHEAVE 6TB62	6
13	56396	WLDMT-PULLEY 6R	2
14	50335	HUB Q1 1-3/4"	6
15	50152	KEY .38 X .38 X 2.00	6
16	50385	HUB Q1 2"	2
17	57995	KEY .50 X .50 X 2.00	2
18	72056	V-BELT 6B108	2



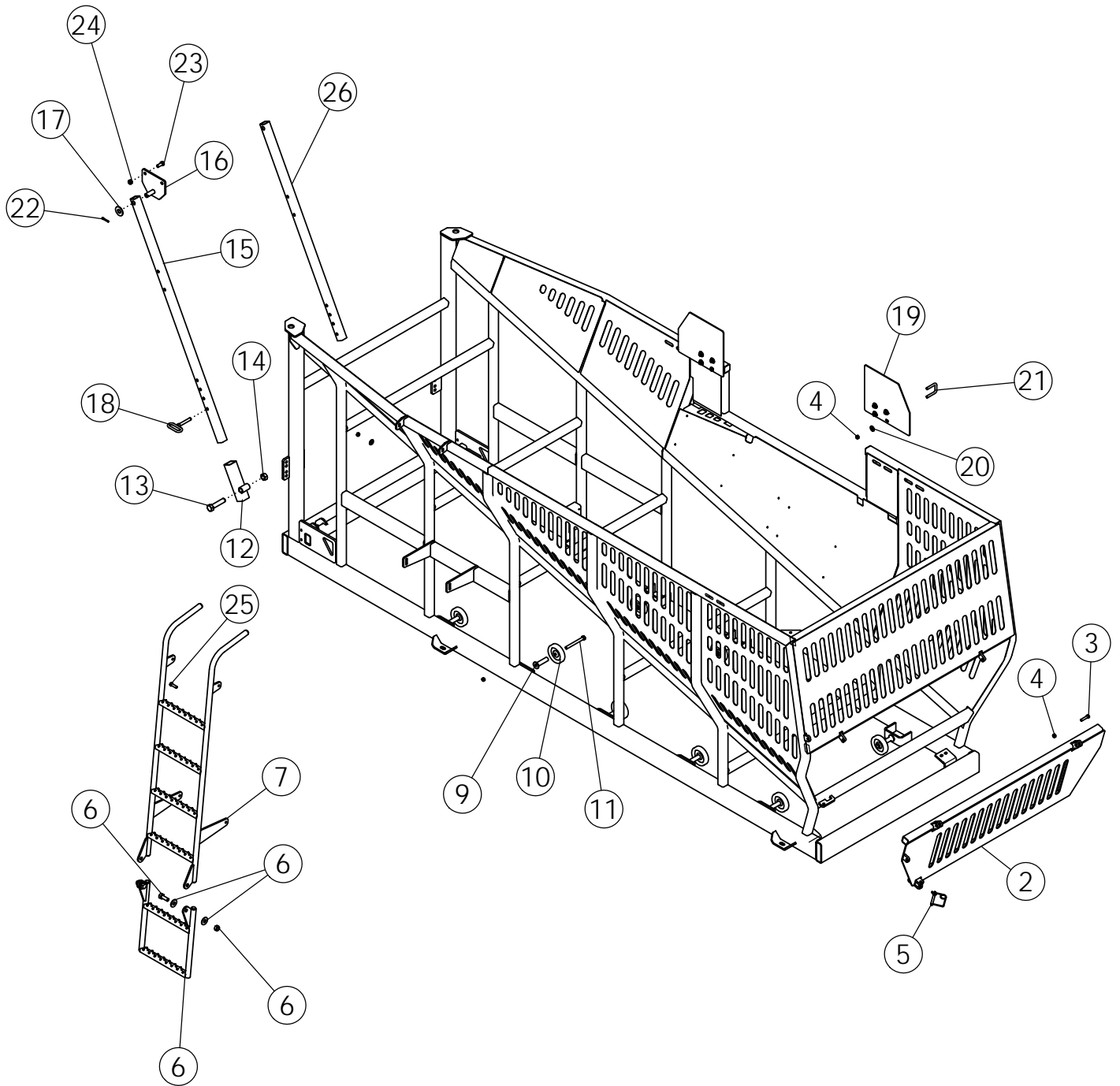
# WHEEL JUMP CHAIN

ITEM	PART NO.	DESCRIPTION	QTY
1	73276	PLATE-LOWER IDLER MNT RH	2
2	1011607	BOLT-HEX: .50 X 1.50 NC GR5 ZP	4
3	1027461	NUT-TOPLOCK: .50 NC GR5 ZP	28
4	73285	PLATE-FILLER ANGLE RH	1
5	1016362	BOLT-CRG: .38 X 1.25 NC GR5 ZP	4
6	1016999	NUT-TOPLOCK: .38 NC GR5 ZP	4
7	73361	PLATE-CENTER PANEL REAR	1
8	73359	WLDMT-CENTER PANEL FRONT	1
9	73362	PLATE-BOLTING	2
10	1013918	BOLT-HEX: .63 X 1.75 NC GR5 ZP	4
11	1016595	NUT-TOPLOCK: .63 NC GR5 ZP	33
12	72063	BOLT-CRG: .63 X 1.50 NC GR5 ZP	2
13	72855	WLDMT-CENTER PANEL MNT	2
14	58204	BAR - BOLTING	4
15	1032525	BOLT-HEX: .50 X 8.00 NC GR5 ZP	8
16	1017708	BOLT-HEX: .50 X 2.25 NC GR5 ZP	4
17	54042	ROLLER-STEP 6"	8
18	62932	PLATE-SHIM .50 ZP	8
19	72773	BOLT-HEX: .63 X 11.00 NC GR5 ZP	8
20	64192	STAND OFF	28
21	53825	BOGIE WHEEL 5"	20
22	53854	BOGIE WHEEL 4"	8
23	1013068	BOLT-HEX: .63 X 6.00 NC GR5 ZP	14
24	1012913	BOLT-HEX .63 X 6.50 NC GR5 ZP	2
25	73286	PLATE-FILLER ANGLE LH	1
26	300283	PLATE-IDLER MOUNT	3
27	1011660	BOLT-CRG: .50 X 1.50 NC GR5 ZP	9
28	300278	BELT-45MM JUMP CHAIN 12R WH (NOT SHOWN)	2
29	1030762	BOLT-HEX: .63 X 8.50 NC GR5 ZP	1
30	1013935	BOLT-HEX: .63 X 4.50 NC GR5 ZP	2
31	73285	PLATE-FILLER ANGLE RH	1
32	301814	WLDMT-CENTER PANEL MOUNTING BRACKET	1
33	1011608	BOLT-HEX: .50 X 1.75 NC GR5 ZP	3



# WHEEL JUMP DRIVE

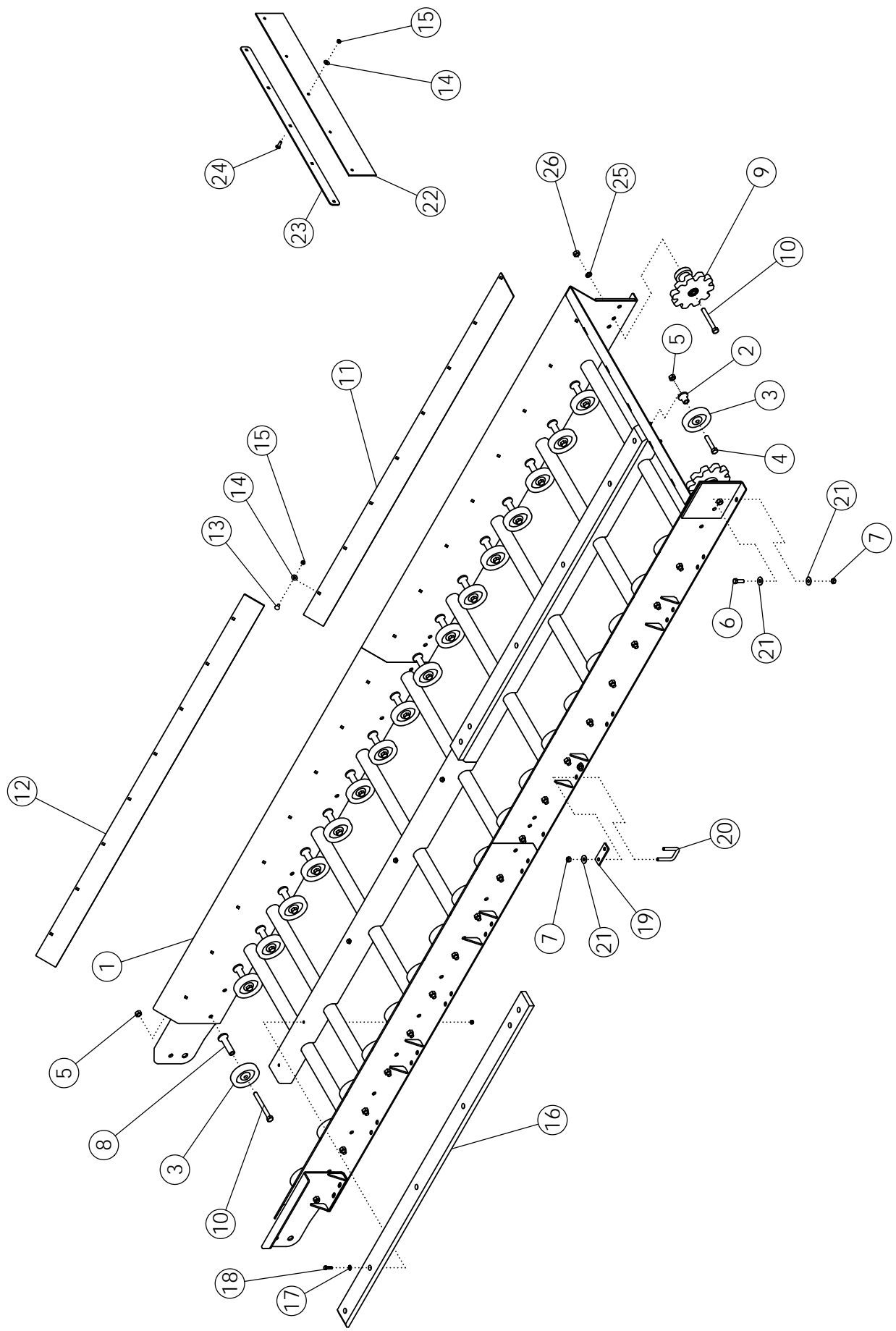
ITEM	PART NO.	DESCRIPTION	QTY
1	73363	WLDMT-TOP JUMP SHAFT 52" 12R	1
2	52405	BEARING-PILLOW 1-3/4"	2
3	56672	SHIM-BEARING ZP	8
4	1011612	BOLT-HEX: .50 X 3.50 GR5 ZP	4
5	1014443	WASHER-FLAT: .50 ZP	8
6	1027461	NUT-TOPLOCK: .50 NC GR5 ZP	4
7	69670	WLDMT-ADJUSTMENT ROD ZP	1
8	301189	PLATE-MOTOR MNT SLIDE	1
9	58987	MOTOR-HYDRAULIC 20 IN <sup>3</sup> /REV	1
	57880	SEAL KIT FOR 58987	
10	59517	BOLT-CRG: .50 X 1.75 NC GR5 ZP	1
11	1011660	BOLT-CRG: .50 X 1.50 NC GR5 ZP	4
12	1011581	WASHER-LOCK: .50 ZP	3
13	1011577	NUT-HEX: .50 NC ZP	5
14	36290	PIONEER TIP 8015-15 (#8 ORB)	2
15	50335	HUB Q1 1-3/4"	1
16	64155	SPROCKET H80-P15	1
17	56650	SPROCKET H80-Q20	1
18	53719	HUB P1 1-1/4" 5/16" KEY	1
19	73388	CHAIN ROLLER (NOT SHOWN)	1
20	56229	FTG-ELBOW: 10MB-8MJ-45	2
21	300179	HOSE: .50 X 384 8MB-8FJX	2
22	1011584	WASHER-FLAT: SAE .50 ZP	5
23	301333	SPROCKET-45MM 16T 1" THICK PAIR	4
24	1011725	BOLT-HEX: .38 X 2.00 NC GR5 ZP	24
25	1016999	NUT-TOPLOCK: .38 NC GR5 ZP	24





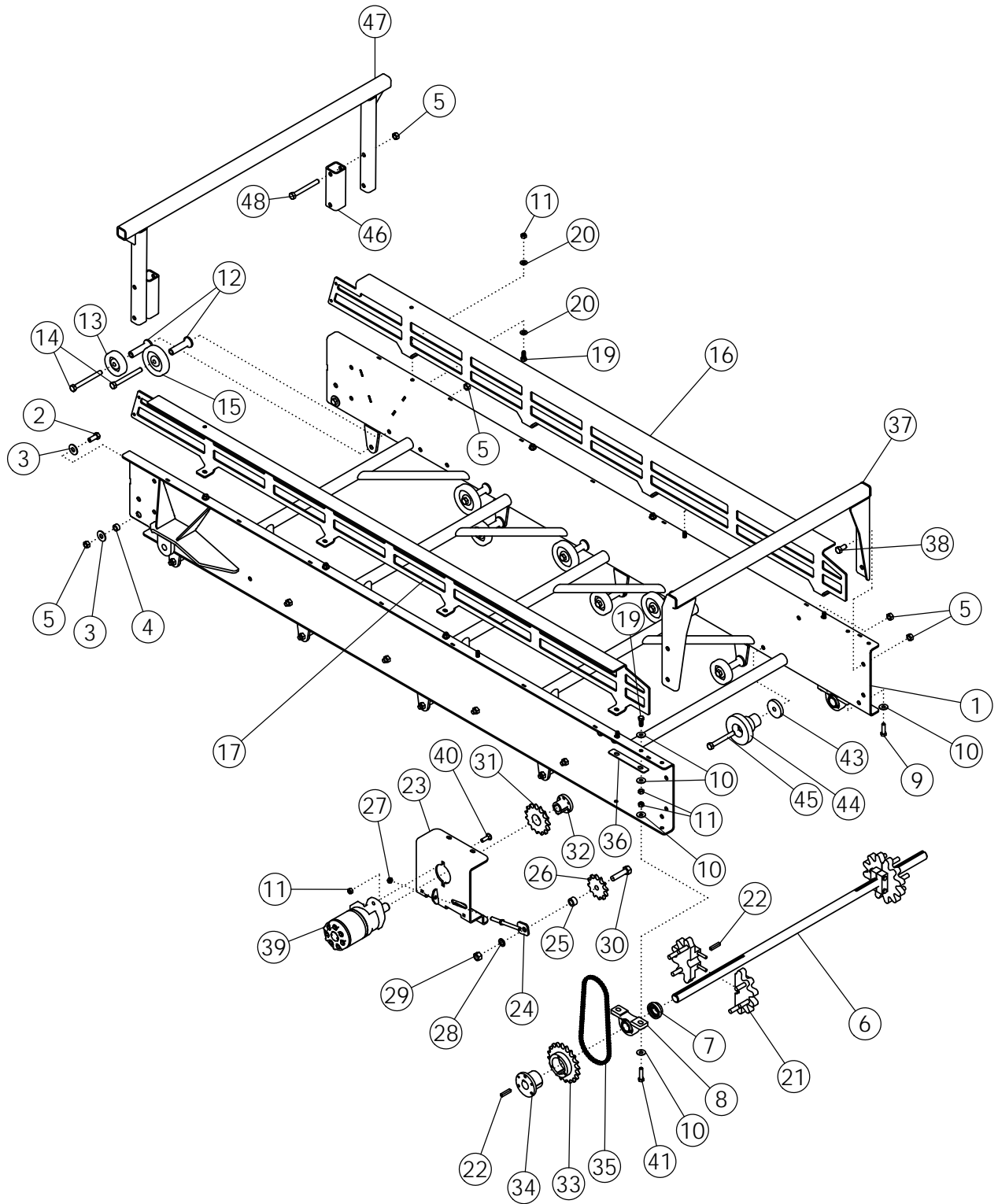
# TANK 12R WHEEL

ITEM	PART NO.	DESCRIPTION	QTY
1	301793	WLDMT-TANK 12R WHEEL	1
2	301788	WLDMT-TANK DOOR 12R	1
3	1017708	BOLT-HEX: .50 x 2.25 NC GR5 ZP	1
4	1027461	NUT-TOPLOCK: .50 NC GR5 ZP	20
5	52408	SPRING PIN .50 X 3.50	1
6	72435	ASSY-LADDER LOWER 12R	1
7	72420	WLDMT-LADDER TOP	1
8	72824	WLDMT-CATWALK 12R	1
9	64192	STAND OFF	10
10	53825	BOGIE WHEEL 5"	10
11	1013068	BOLT-HEX: .63 X 6.00 NC GR5 ZP	10
12	54788	WLDMT-LOCK SLIDE	1
13	72956	BOLT-HEX: 1.00 X 4.50 NC GR8 ZP	1
14	1016969	NUT-TOPLOCK: 1.00 NC GR5 ZP	1
15	72934	TUBE-LOCK LONG	1
16	54785	WLDMT-LOCK BRACKET	1
17	1020685	WASHER-FLAT: 1.00	1
18	1030947	PIN-HITCH: .63 X 4.00 ZP	1
19	57917	PLATE	2
20	1014443	WASHER-FLAT: .50 ZP	8
21	65658	U-BOLT: .50 X 3 X 2.06 X 3	4
22	1016944	PIN-COTTER: .25 X 2.00 ZP	1
23	1014349	BOLT-HEX: .63 X 1.50 NC GR5 ZP	1
24	1016595	NUT-TOPLOCK: .63 NC GR5 ZP	1
25	1011608	BOLT-HEX: .50 X 1.75 NC GR5 ZP	1
26	73413	TUBE-LOCK SHORT	1



# ELEVATOR ASSEMBLY

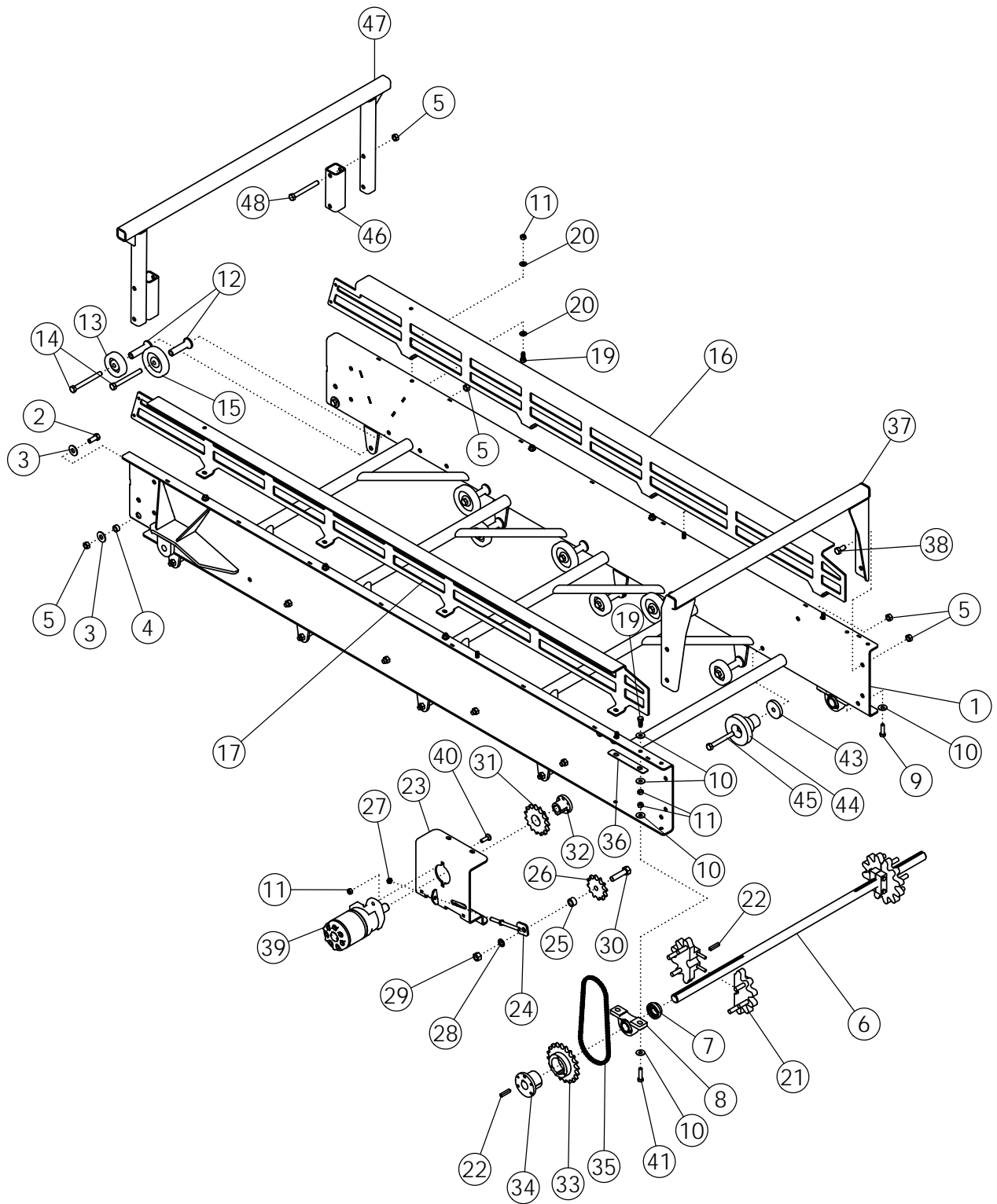
ITEM	PART NO.	DESCRIPTION	QTY
1	72765	WLDMT-ELEVATOR 12R	1
2	58971	STAND OFF 1.50"	2
3	53825	BOGIE WHEEL 5"	38
4	65825	BOLT-HEX: .63 X 3.25 NC GR5 ZP	2
5	1016595	NUT-TOPLOCK: .63 NC GR5 ZP	38
6	1011607	BOLT-HEX: .50 X 1.50 NC GR5 ZP	2
7	1027461	NUT-TOPLOCK: .50 NC GR5 ZP	22
8	64192	STAND OFF- .625" X 4.0"	36
9	54824	SPROCKET-IDLER 56MM	2
	63813	SPROCKET-IDLER 50MM 10T	
10	1013068	BOLT-HEX: .63 X 6.00 NC GR5 ZP	38
11	72337	SHEET-BELT PROTECTOR LOWER	2
12	72338	SHEET-BELT PROTECTOR UPPER	2
13	59488	BOLT-CRG: .38 X 1.00 NC GR5 ZP	32
14	1011828	WASHER-FLAT .38 ZP	37
15	1016999	NUT-TOPLOCK: .38 NC GR5 ZP	45
16	69822	PLASTIC SLIDE	2
17	1014608	WASHER-FLAT: SAE .38 ZP	8
18	1011601	BOLT-HEX: .38 X 1.25 NC GR5 ZP	8
19	64748	PLATE-ELEVATOR BACKING	8
20	65658	U-BOLT: .50 X 3 X 2.06 X 3	10
21	1014443	WASHER-FLAT: .50 ZP	6
22	64609	FLAP-ELEVATOR	1
23	64608	STRIP-BOLTING	1
24	1016362	BOLT-CRG: .38 X 1.25 NC GR5 ZP	5
25	1011813	WASHER-LOCK: .63 ZP	2
26	1011578	NUT-HEX: .63 NC GR2 ZP	2
27	73416	BELT-56MM ELEVATOR 12R (NOT SHOWN)	1
	301153	BELT-50MM ELEVATOR 12R	
	301518	BELT- 56MM ELEVATOR 12R DOUBLE	
	301519	BELT- 50MM ELEVATOR 12R DOUBLE	



# ELEVATOR BOOM

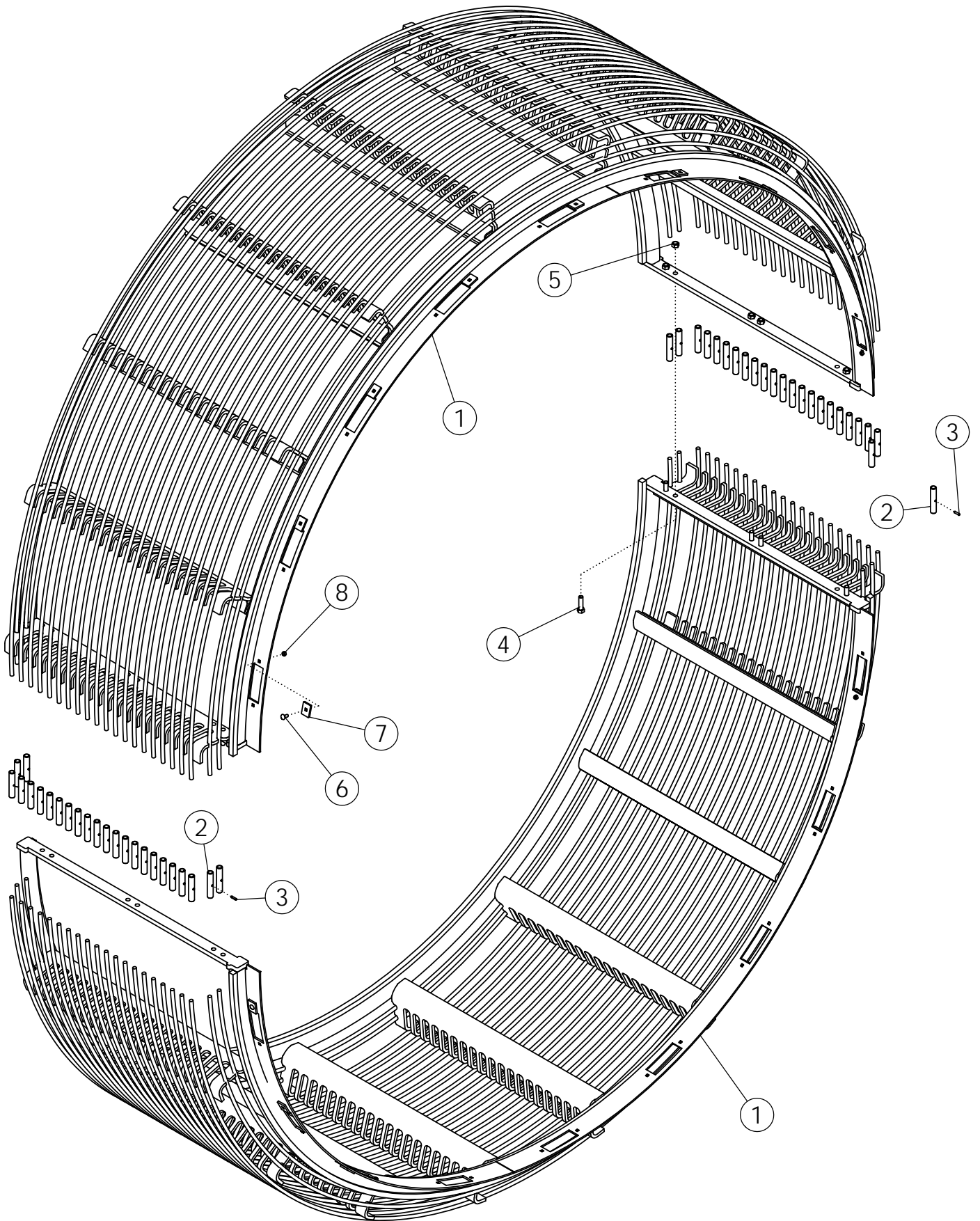
ITEM	PART NO.	DESCRIPTION	QTY
1	72756	WLDMT-ELEVATOR BOOM 12R	1
2	1014349	BOLT-HEX: .63 X 1.50 NC GR5 ZP	2
3	1013024	WASHER-FLAT: .63 ZP	4
4	53449	SLEEVE-HINGE	2
5	1016595	NUT-TOPLOCK: .63 NC GR5 ZP	24
6	68650	SHAFT - DRIVE	1
7	52382	SEAL PROTECTOR	2
8	52405	PILLOW BLOCK BEARING 1.75	2
9	1011608	BOLT-HEX: .50 X 1.75 NC GR5 ZP	2
10	1014443	WASHER-FLAT: .50 ZP	8
11	1027461	NUT-TOPLOCK: .50 NC GR5 ZP	16
12	64192	STAND OFF	16
13	53854	BOGIE WHEEL 4"	8
14	1013068	BOLT-HEX: .63 X 6.00 NC GR5 ZP	16
15	53825	BOGIE WHEEL 5"	8
16	300738	PLATE-BOOM EXT LONG FRONT	1
17	300737	PLATE-BOOM EXT LONG REAR	1
18	54803	CROSS BRACE-BOOM	1
19	1011606	BOLT-HEX: .50 X 1.25 NC GR5 ZP	14
20	1011584	WASHER-FLAT: SAE .50 ZP	20
21	68659	SPROCKET-SPLIT 50MM 12T Ø1.75	2
	68658	SPROCKET-SPLIT 56MM 10T Ø1.75	
22	50152	KEY .38 X .38 X 2.00	3
23	72329	WLDMT-REDUCTION MOUNT REAR	1
24	63876	TENSIONER ZP	1
25	58086	SPACER-CHAIN IDLER ZP	1
26	56334	SPROCKET-IDLER 8012	1
27	1011591	NUT-JAM: .50 NC ZP	2
28	1012061	WASHER-LOCK: .75 ZP	1
29	1011620	NUT-HEX: .75 NC GR2 ZP	1
30	1012059	BOLT-HEX: .75 X 3.00 NC GR5 ZP	1
31	64155	SPROCKET H80-P15	1
32	53719	HUB P1 1-1/4" (WITH KEY)	1
33	56650	SPROCKET H80-Q20	1
34	50335	HUB Q1 1.75"	1
35	64654	CHAIN-ROLLER 60H-1R-045	1
36	64732	PLATE-SHIM	1
37	64578	WLDMT-BOOM END SUPPORT	1
38	1032509	BOLT-HEX .63 X 1.25 NC GR5 ZP	4
39	57686	MOTOR-HYDRAULIC 32.3IN <sup>3</sup> /REV	1
	57880	SEAL KIT FOR 57686	

CONTINUED



## ELEVATOR BOOM (CONTINUED)

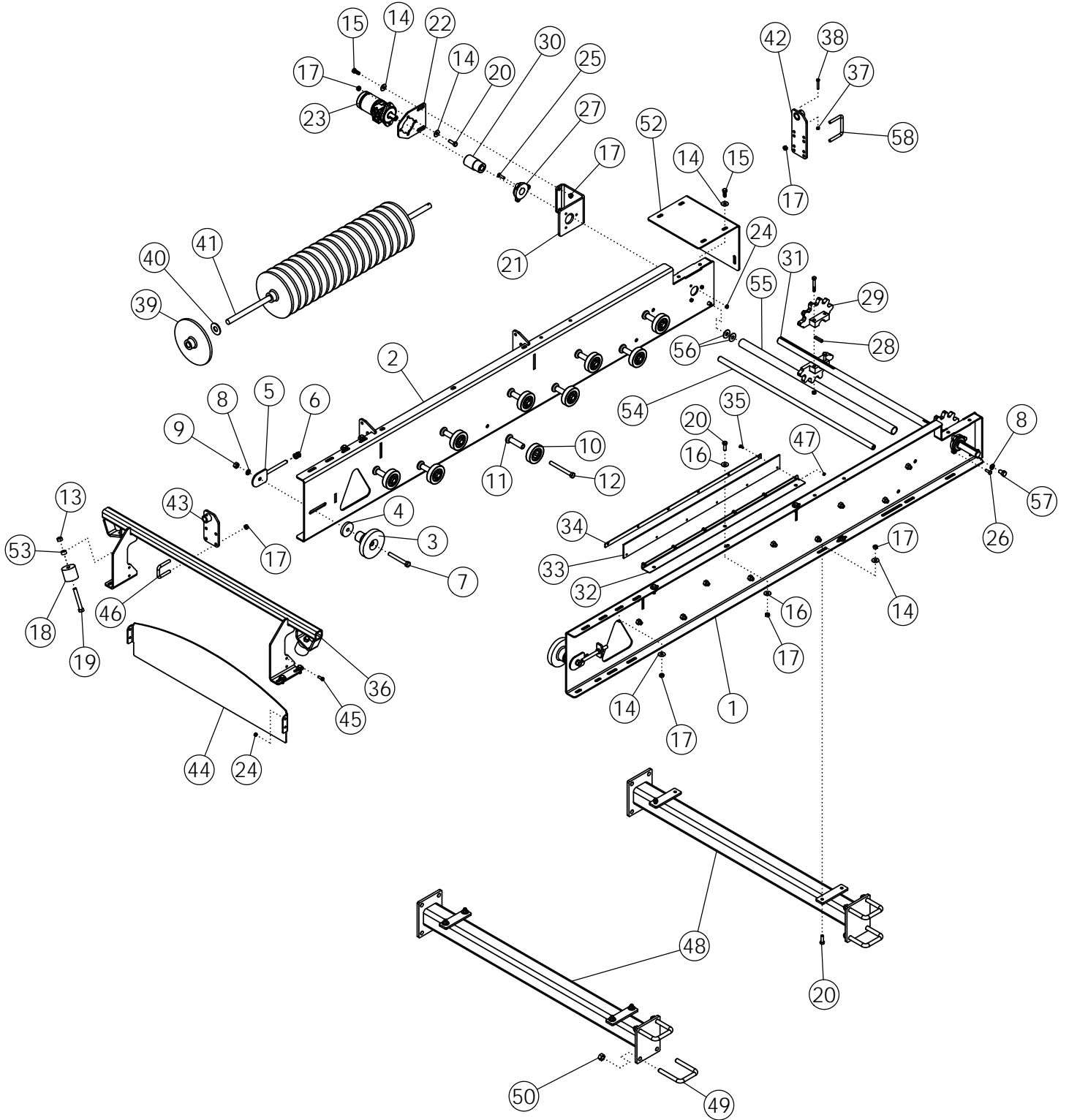
ITEM	PART NO.	DESCRIPTION	QTY
40	1011660	BOLT-CRG: .50 X 1.50 NC GR5 ZP	2
41	1017708	BOLT-HEX: .50 X 2.25 NC GR5 ZP	2
42	64675	LINK-OFFSET (NOT SHOWN)	2
43	62932	PLATE-SHIM	2
44	68664	ROLLER-STEP 5"	2
45	1013935	BOLT-HEX: .63 X 4.50 NC GR5 ZP	2
46	73295	TUBE-BOOM SUPPORT SPACER	2
47	73291	WLDMT-BOOM SUPPORT	1
48	1016292	BOLT-HEX .63 X 5.50 NC GR5 ZP	2





# WHEEL ASSEMBLY

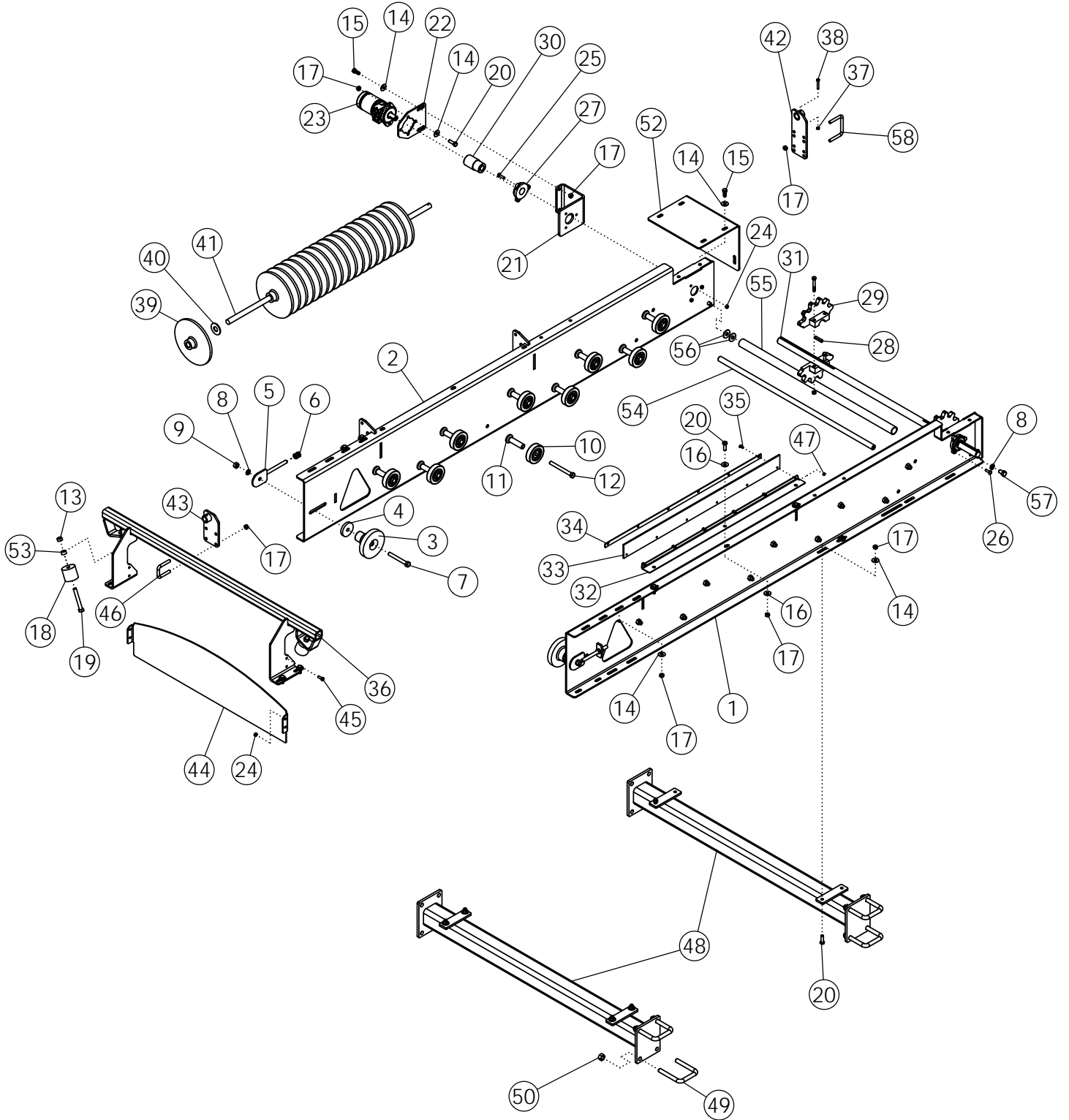
ITEM	PART NO.	DESCRIPTION	QTY
1	300115	WLDMT-WHEEL HALF 12R	2
2	59410	TUBE-COUPLER ZP	48
3	1030795	PIN-ROLL: .25 X 1.00 ZP	48
4	1024447	BOLT-HEX: .63 X 2.75 NC GR5 ZP	12
5	1016595	NUT-TOPLOCK: .63 NC GR5 ZP	12
6	59488	BOLT-CRG: .38 X 1.00 NC GR5 ZP	36
7	59485	TAB-WHEEL DRIVE	36
8	1016999	NUT-TOPLOCK: .38 NC GR5 ZP	36



# WHEEL CONVEYOR

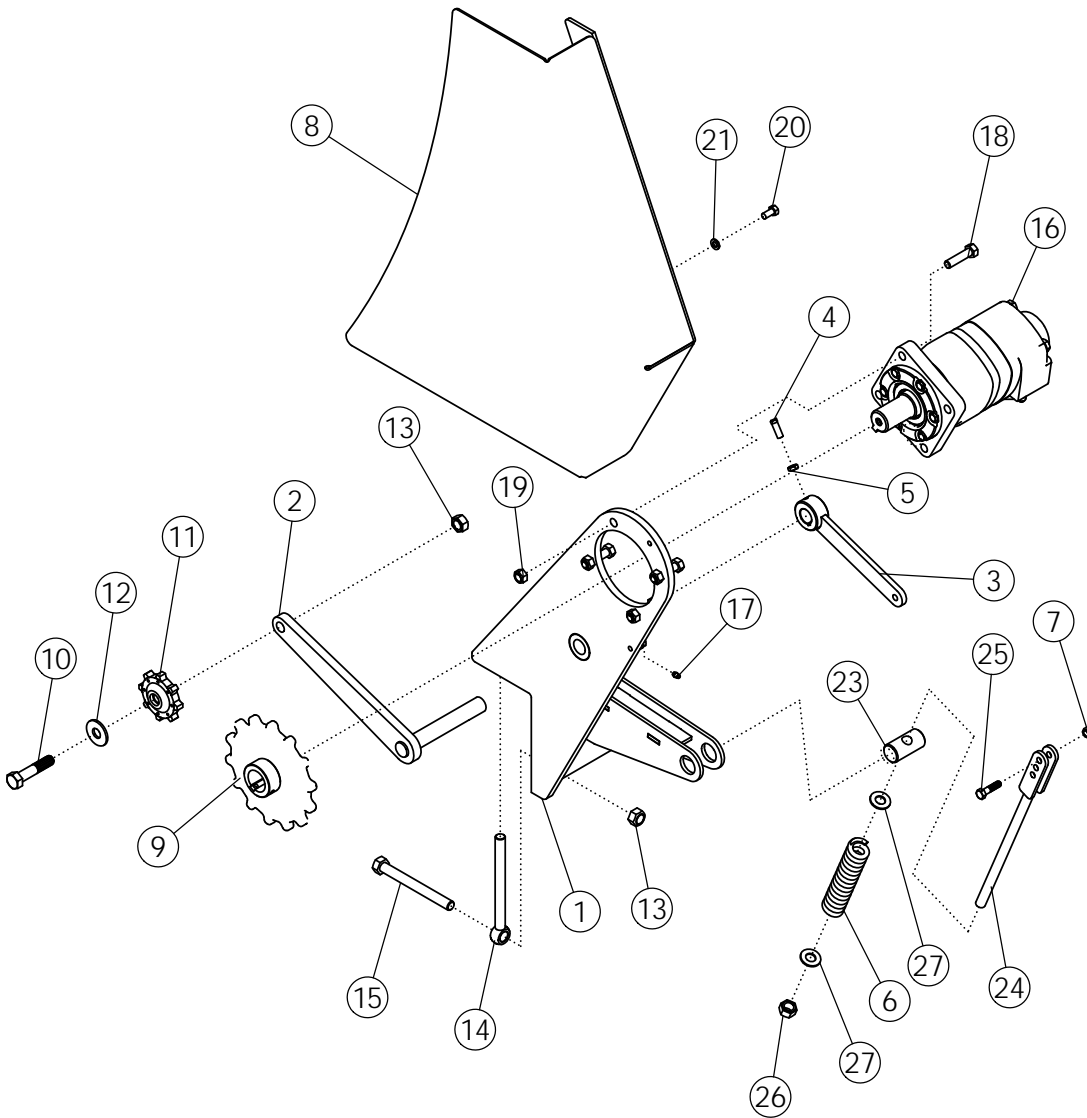
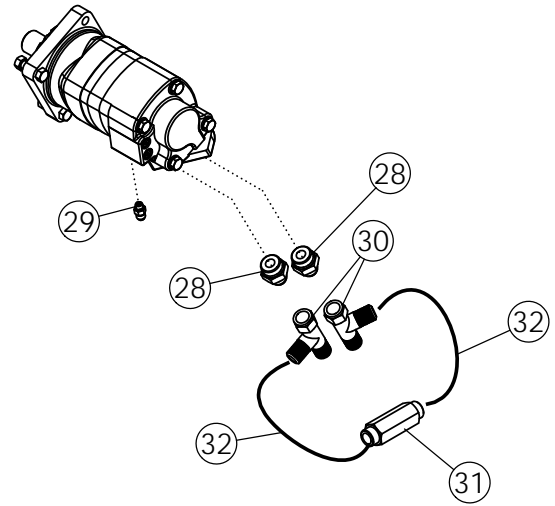
ITEM	PART NO.	DESCRIPTION	QTY
1	73667	WLDMT-CONVEYOR RH 12R	1
2	73668	WLMDT-CONVEYOR LH 12R	1
3	54042	ROLLER-STEP 6"	2
4	62932	PLATE-SHIM .50 ZP	2
5	59711	TIGHTENER BOLT ZP	2
6	1026259	NUT-JAM: .63 NC GR2 ZP	4
7	1013816	BOLT-HEX: .63 X 5.00 NC GR5 ZP	2
8	1011813	WASHER-LOCK: .63 ZP	4
9	1011578	NUT-HEX: .63 NC GR2 ZP	2
10	53854	BOGIE WHEEL 4"	18
11	64192	STAND OFF	18
12	1013068	BOLT-HEX: .63 X 6.00 NC GR5 ZP	18
13	1016595	NUT-TOPLOCK: .63 NC GR5 ZP	20
14	1011584	WASHER-FLAT: SAE .50 ZP	12
15	1011606	BOLT-HEX: .50 X 1.25 NC GR5 ZP	10
16	1014443	WASHER-FLAT: .50 ZP	19
17	1027461	NUT-TOPLOCK: .50 NC GR5 ZP	35
18	59454	IDLER ROLLER	2
19	1014000	BOLT-HEX: .63 X 3.50 NC GR5 ZP	4
20	1011607	BOLT-HEX: .50 X 1.50 NC GR5 ZP	13
21	62914	BRACKET-MOTOR MOUNT	1
22	57843	PLATE-MOTOR HYDRAULIC	1
23	59449	MOTOR-HYDRAULIC 20 IN <sup>3</sup> /REV	1
	57881	SEAL KIT FOR 59449	
24	1016999	NUT-TOPLOCK: .38 NC GR5 ZP	10
25	58679	BOLT-CRG: .38 X 1.50 NC GR5 ZP	3
26	1016362	BOLT-CRG: .38 X 1.25 NC GR5 ZP	3
27	53662	BEARING-FLANGE 1-7/16"	2
28	50152	KEY .38 X .38 X 2.00	2
29	53712	SPROCKET-SPLIT 45MM	2
30	52867	COUPLING	1
31	53392	SHAFT - DRIVE	1
32	301287	PLATE-CONVEYOR EXT 12R	1
33	301289	FLAP-CONVEYOR BELT 12R	1
34	301288	BRACKET-BOLTING RUBBER 12R	1
35	68602	BOLT-CRG: .25 X .75 NC GR5 ZP	6
36	59702	WLDMT-ROLLER MOUNT REAR	1
37	1030700	NUT-TOPLOCK: .31 NC GR5 ZP	1
38	1011285	BOLT-HEX: .31 X 2.00 NC	1
39	52876	KNOCKOUT WHEEL	19
40	1020685	WASHER-FLAT: 1.00	20

CONTINUED



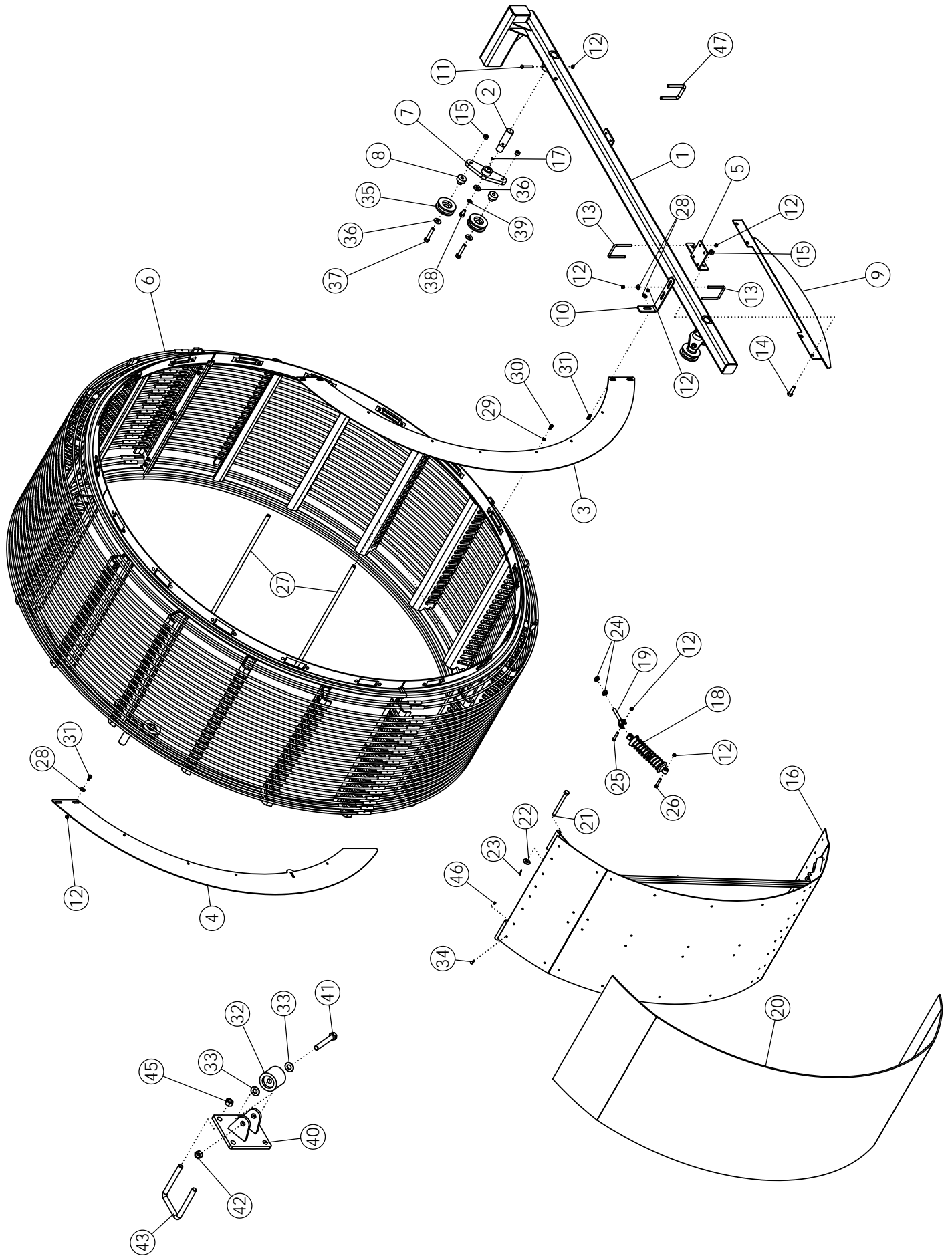
## WHEEL CONVEYOR (CONTINUED)

ITEM	PART NO.	DESCRIPTION	QTY
41	73528	SHAFT-KNOCKOUT WHEEL 12R	1
42	301275	WLDMT-KNOCKOUT BRACKET FRONT	1
43	59725	WLDMT-KNOCKOUT BRACKET REAR	1
44	64918	SHIELD-UPPER	1
45	1011600	BOLT-HEX: .38 X 1.00 NC GR5 ZP	4
46	65658	U-BOLT: .50 X 3 X 2.06 X 3	4
47	1030946	NUT-TOPLOCK: .25 NC GR5 ZP	6
48	73542	WLDMT-HORIZONTAL SUPPORT	2
49	65274	U-BOLT: .750 X 5.50 X 4.063 X 5.50	8
50	1017000	NUT-TOPLOCK: .75 NC GR5 ZP	16
51	73518	BELT-45MM WHEEL CONVEYOR 12R (NOT SHOWN)	1
52	301326	FLANGE-CONVEYOR EXT SHIELD	1
53	53449	SLEEVE-HINGE	2
54	56754	ROD-THREADED	1
55	56773	PIPE-PLASTIC	1
56	1013024	WASHER-FLAT: .63 ZP	4
57	1032509	BOLT-HEX: .63 X 1.25 NC GR5 ZP	2
58	54653	U-BOLT: .500 X 3.25 X 4.00 X 3.25	2



# WHEEL DRIVE

ITEM	PART NO.	DESCRIPTION	QTY
1	300190	WLDMT-MOTOR MOUNT	1
2	59624	WLDMT-IDLER ARM	1
3	50718	ARM-ZP	1
4	50813	SCREW-SET: SQ HD .38 X 1.00 ZP	1
5	1013519	NUT-JAM: .38 NC GR2 ZP	1
6	64915	SPRING	1
7	1016999	NUT-TOPLOCK: .38 NC GR5 ZP	1
8	300193	WLDMT-CHAIN GUARD 12R	1
9	300195	WLDMT-SPROCKET 12R	1
10	1011624	BOLT-HEX: .63 X 3.00 NC GR5 ZP	1
11	59629	SPROCKET-IDLER	1
12	1013024	WASHER-FLAT: .63 ZP	1
13	1016595	NUT-TOPLOCK: .63 NC GR5 ZP	5
14	53195	EYEBOLT: .63 X 7.50 ZP	2
15	1013068	BOLT-HEX: .63 X 6.00 NC GR5 ZP	2
16	300143	MOTOR-HYDRAULIC 24IN <sup>3</sup> /REV	1
	301041	SEAL KIT FOR 300143	
17	1011748	ZERK - GREASE	1
18	1011609	BOLT-HEX: .50 X 2.00 NC GR5 ZP	4
19	1027461	NUT-TOPLOCK: .50 NC GR5 ZP	4
20	1011599	BOLT-HEX: .38 X 0.75 NC GR5 ZP	2
21	1011586	WASHER-LOCK: .38 ZP	2
22	59625	CHAIN-WHEEL DRIVE (NOT SHOWN)	1
23	64914	SHAFT-PIVOT	1
24	64913	SHAFT-ZP	1
25	1011602	BOLT-HEX: .38 X 1.50 NC GR5 ZP	1
26	1013302	NUT-NYLOCK: .63 NC GR2 ZP	1
27	1013004	WASHER-FLAT: SAE .63 ZP	2
28	58982	FTG-ADAPTER: 16MB-12MJ	2
29	300245	FTG-ADAPTER: 4MB-6MJ	1
30	59888	FTG-TEE: 12MJ-12FJX-12MJ	2
31	68179	FTG-ADAPTER: 8MB-8FJX	1
32	68437	HOSE: .50 X 014 12FJX-12FJX	2

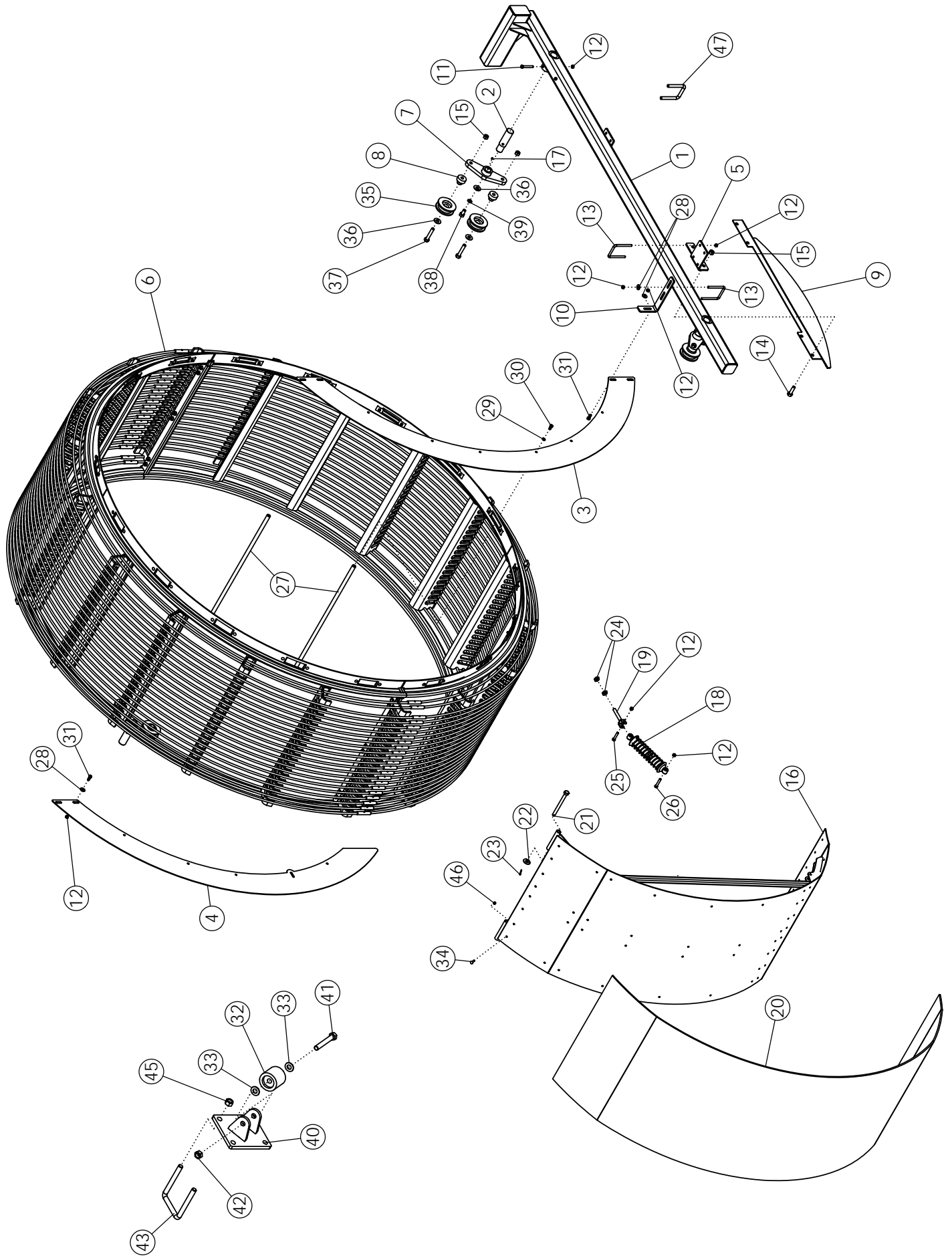




# FRAME EXTENSION

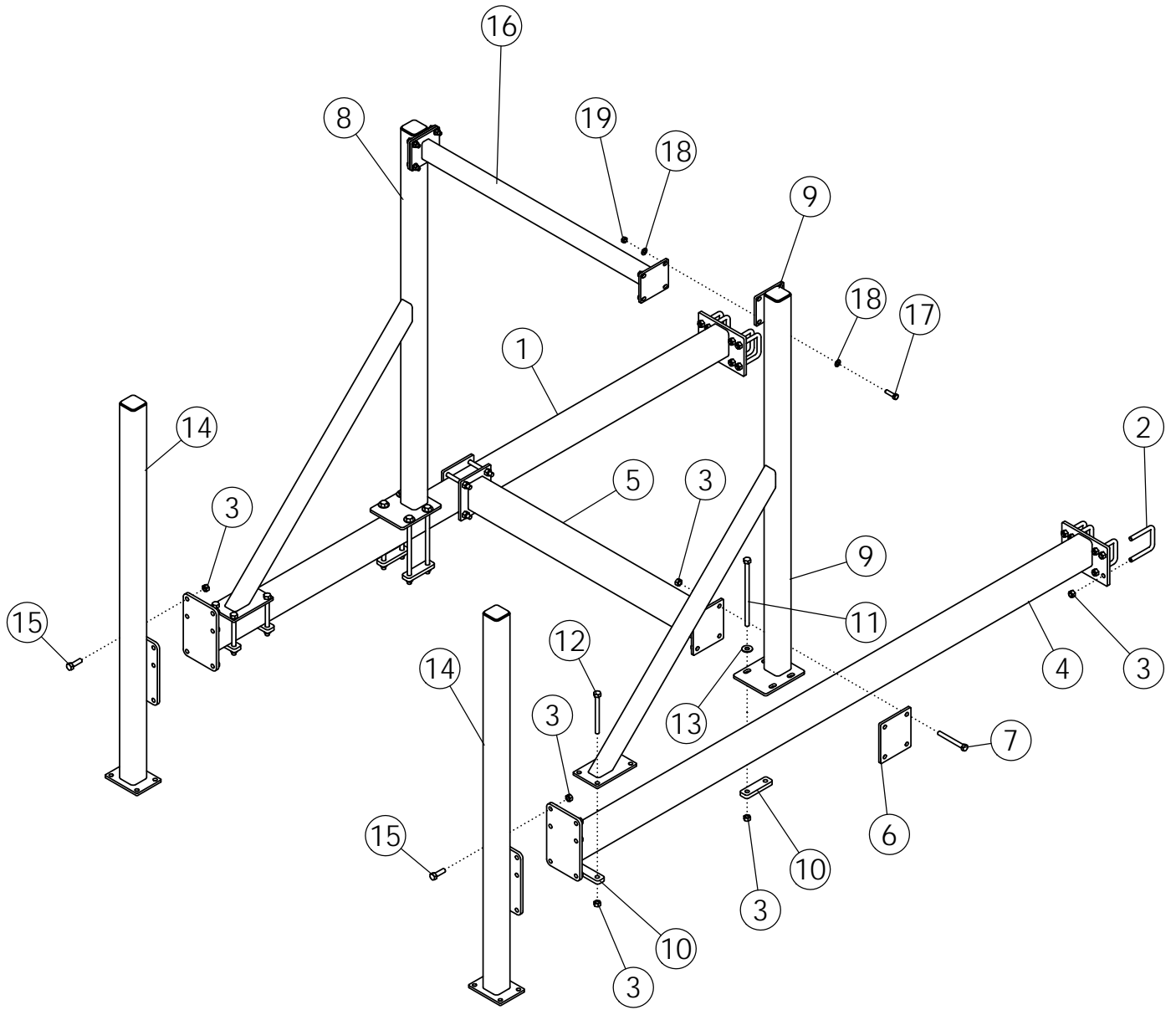
ITEM	PART NO.	DESCRIPTION	QTY
1	300185	WLDMT-REAR MOUNT	1
2	58726	SHAFT-MOUNT ROLLER	2
3	59461	SHIELD-SHOE	1
4	300199	SHIELD-SHOE SHORT	1
5	73571	PLATE-DEFLECTOR SHIELD SUPPORT	2
6	300113	ASSY-WHEEL 12R	1
7	59437	WLDMT-ROLLER MOUNT	2
8	58910	STAND-OFF-ROLLER	4
9	69624	PLATE-DEFLECTOR WHEEL	1
10	300198	PLATE-SHOE SHIELD BRACKET	1
11	1011612	BOLT-HEX: .50 X 3.50 GR5 ZP	2
12	1027461	NUT-TOPLOCK: .50 NC GR5 ZP	23
13	33856	U-BOLT: .50 X 5.50 X 4 X 5.50	5
14	1016598	BOLT- .75 X 2.50 NC GR5 ZP	4
15	1017000	NUT-TOPLOCK: .75 NC GR5 ZP	8
16	300024	WLDMT-SLIDE 12R	1
17	1011748	ZERK-GREASE: .25 UNF STRAIGHT	2
18	59637	SHOCK-COIL SPRING	3
19	59636	BOLT-CLEVIS ZP	3
20	73577	PLASTIC-SLIDE UHMW 12R	1
21	69148	PIN-BOLT W/COTTER	2
22	1030702	WASHER-FLAT .75 ZP	2
23	1030797	PIN-COTTER: .19 X 1.75 NP	2
24	1011827	NUT-JAM: .75 NC GR2 ZP	6
25	1011610	BOLT-HEX: .50 x 2.50 NC GR5 ZP	3
26	1016858	BOLT-HEX: .50 x 2.75 NC GR5 ZP	3
27	73572	ROD-SLIDE SUPPORT 12R	2
28	1014443	WASHER-FLAT: .50 ZP	7
29	1011581	WASHER-LOCK: .50 ZP	4
30	1011096	BOLT-HEX: .50 X 1.00 NC GR5 ZP	4
31	1011606	BOLT-HEX: .50 X 1.25 NC GR5 ZP	5
32	59454	IDLER ROLLER	2
33	1013004	WASHER-FLAT: SAE .63 ZP	8
34	58679	BOLT-CRG: .38 X 1.50 NC GR5 ZP	64
35	53681	ROLLER-FLANGE	4
36	1030702	WASHER-FLAT: .75 ZP	6
37	1011625	BOLT-HEX: .75 X 4.00 NC GR5 ZP	4
38	58367	BOLT-HEX: .75 X 1.50 NC GR5 ZP	2
39	1012061	WASHER-LOCK: .75 ZP	2

CONTINUED



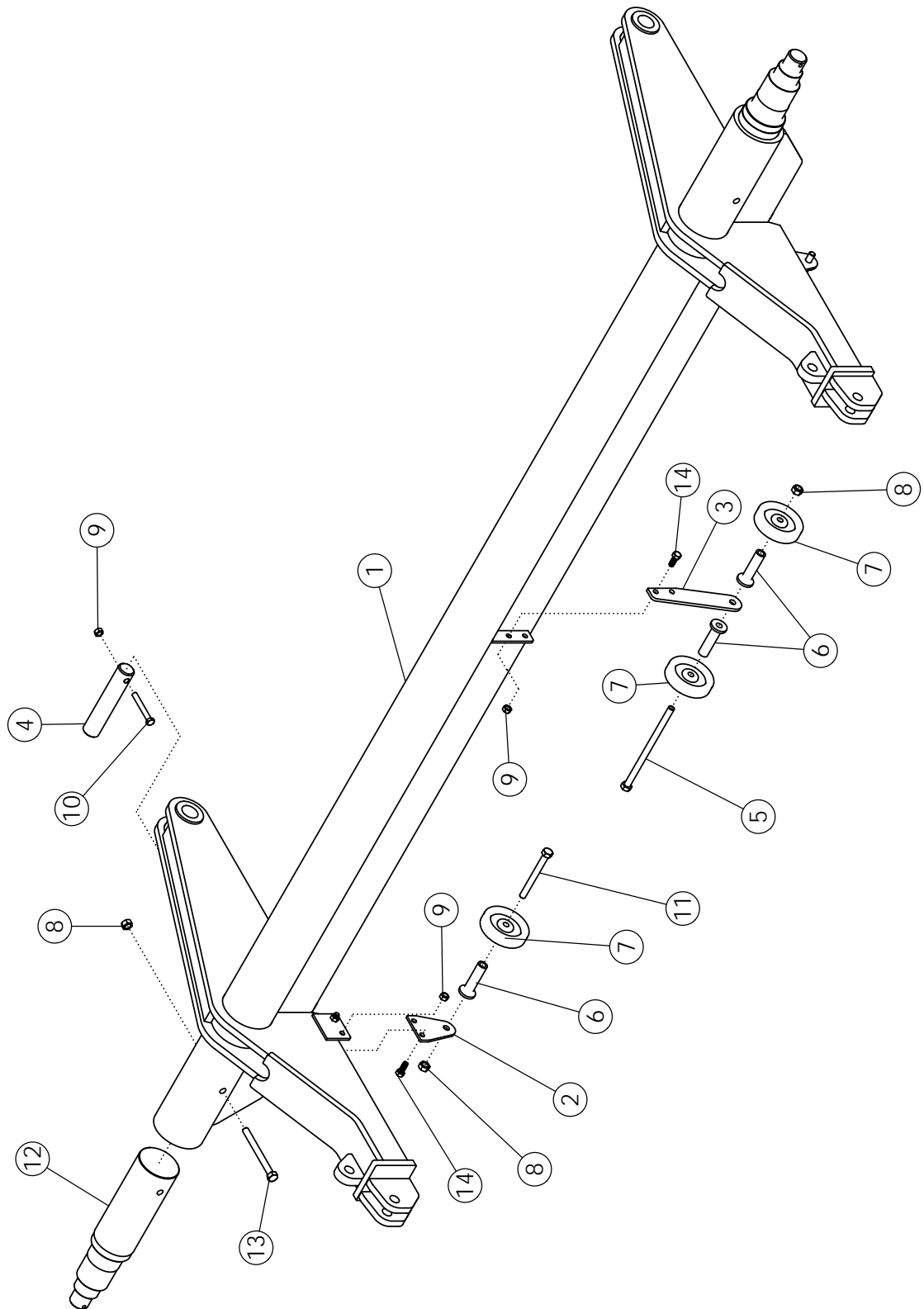
## FRAME EXTENSION (CONTINUED)

ITEM	PART NO.	DESCRIPTION	QTY
40	301348	WLDMT- ROLLER MOUNT 12R LH	1
41	1016726	BOLT-HEX: .63 X 4.00 NC GR5 ZP	2
42	1016595	NUT-TOPLOCK: .63 NC GR5 ZP	2
43	66631	U-BOLT: .625 X 5.50 X 4 X 5.50	4
44	301351	WLDMT- ROLLER MOUNT 12R RH (NOT SHOWN)	1
45	1016999	NUT-TOPLOCK: .38 NC GR5 ZP	64
46	1011578	NUT-HEX: .63 NC GR2 ZP	8
47	65274	U-BOLT: .750 X 5.50 X 4.06 X 5.50	4



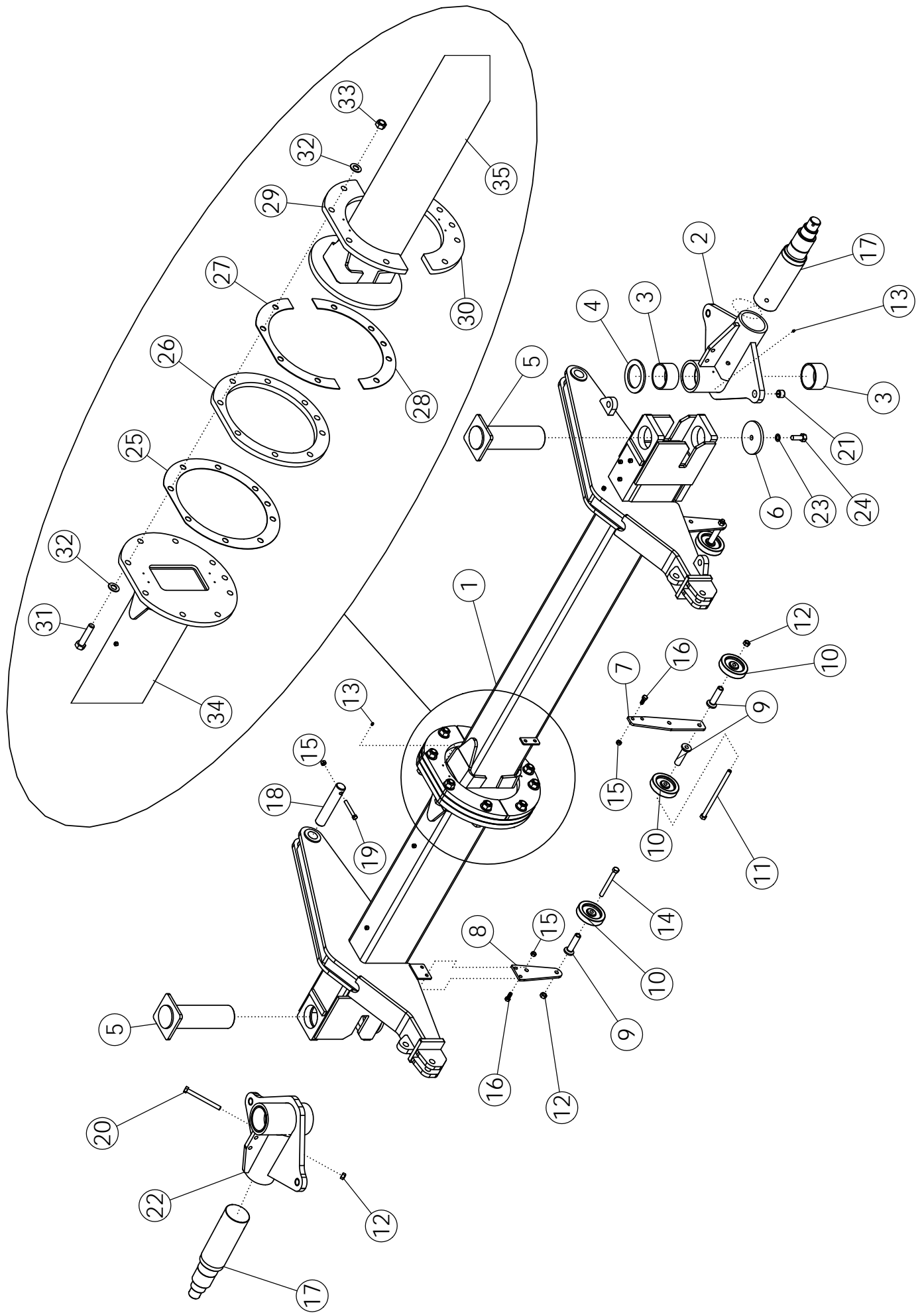
# REAR WHEEL FRAME ASSEMBLY

ITEM	PART NO.	DESCRIPTION	QTY
1	300188	WLDMT-WHEEL SUPPORT LONG LH	1
2	65274	U-BOLT: .75 X 5.50 X 4.06 X 5.50	8
3	1017000	NUT-TOPLOCK: .75 NC GR5 ZP	52
4	300158	WLDMT-WHEEL SUPPORT LONG RH	1
5	300161	WLDMT-CENTER SUPPORT	1
6	300163	PLATE-BASE PC	2
7	1016718	BOLT-HEX: .75 X 6.50 NC GR5 ZP	8
8	301160	WLDMT-BUMPER A-FRAME LEFT	1
9	301156	WLDMT-BUMPER A-FRAME RIGHT	1
10	300168	BAR - BOLTING	8
11	301402	BOLT-HEX: .75 X 14.50 NC GR5 ZP	8
12	64136	BOLT-HEX: .75 X 8.50 NC GR5 ZP	8
13	1030702	WASHER-FLAT .75 ZP	8
14	73536	WLDMT-VERT REAR	2
15	1016598	BOLT- .75 X 2.50 NC GR5 ZP	12
16	301141	WLDMT-BUMPER CROSS TUBE	1
17	1017526	BOLT-HEX .63 X 2.25 NC GR5 ZP	8
18	1013004	WASHER-FLAT: SAE .63 ZP	16
19	1016595	NUT-TOPLOCK: .63 NC GR5 ZP	8



# AXLE COMPONENTS

ITEM	PART NO.	DESCRIPTION	QTY
1	72643	WLDMT-AXLE MAIN	1
2	72263	PLATE-BOGIE WHEEL	2
3	72827	PLATE-CENTER BOGIE	1
4	72311	PIN-AXLE MAIN	2
5	72773	BOLT-HEX: .63 X 11.00 NC GR5 ZP	1
6	64192	STAND OFF	4
7	53825	BOGIE WHEEL 5"	4
8	1016595	NUT-TOPLOCK: .63 NC GR5 ZP	5
9	1027461	NUT-TOPLOCK: .50 NC GR5 ZP	8
10	1029104	BOLT-HEX: .50 X 3.75 NC GR5 ZP	2
11	1013068	BOLT-HEX: .63 X 6.00 NC GR5 ZP	2
12	330076	SPINDLE-4.50 HR C1045	2
13	1012913	BOLT-HEX .63 X 6.50 NC GR5 ZP	2
14	1011606	BOLT-HEX: .50 X 1.25 NC GR5 ZP	6

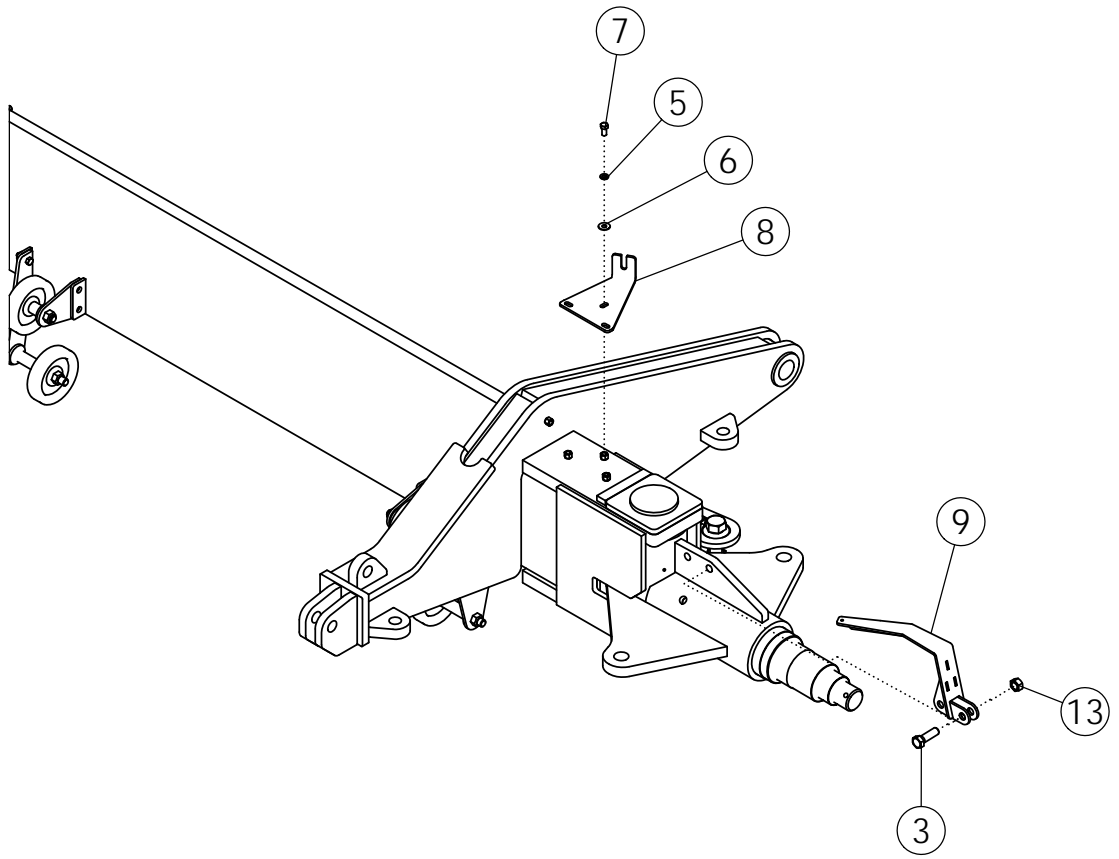
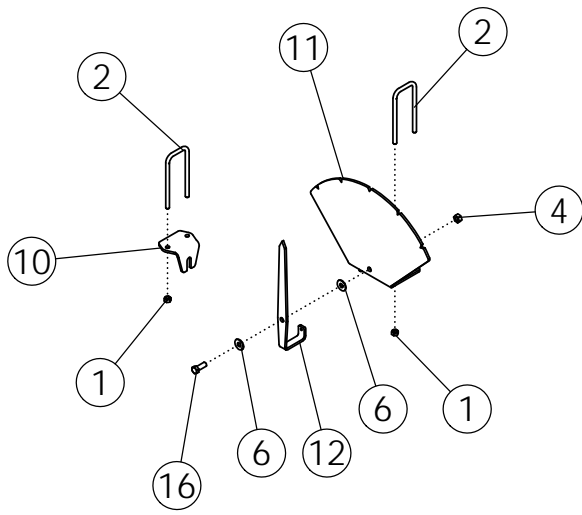




# STEERABLE STRUT ASSEMBLY

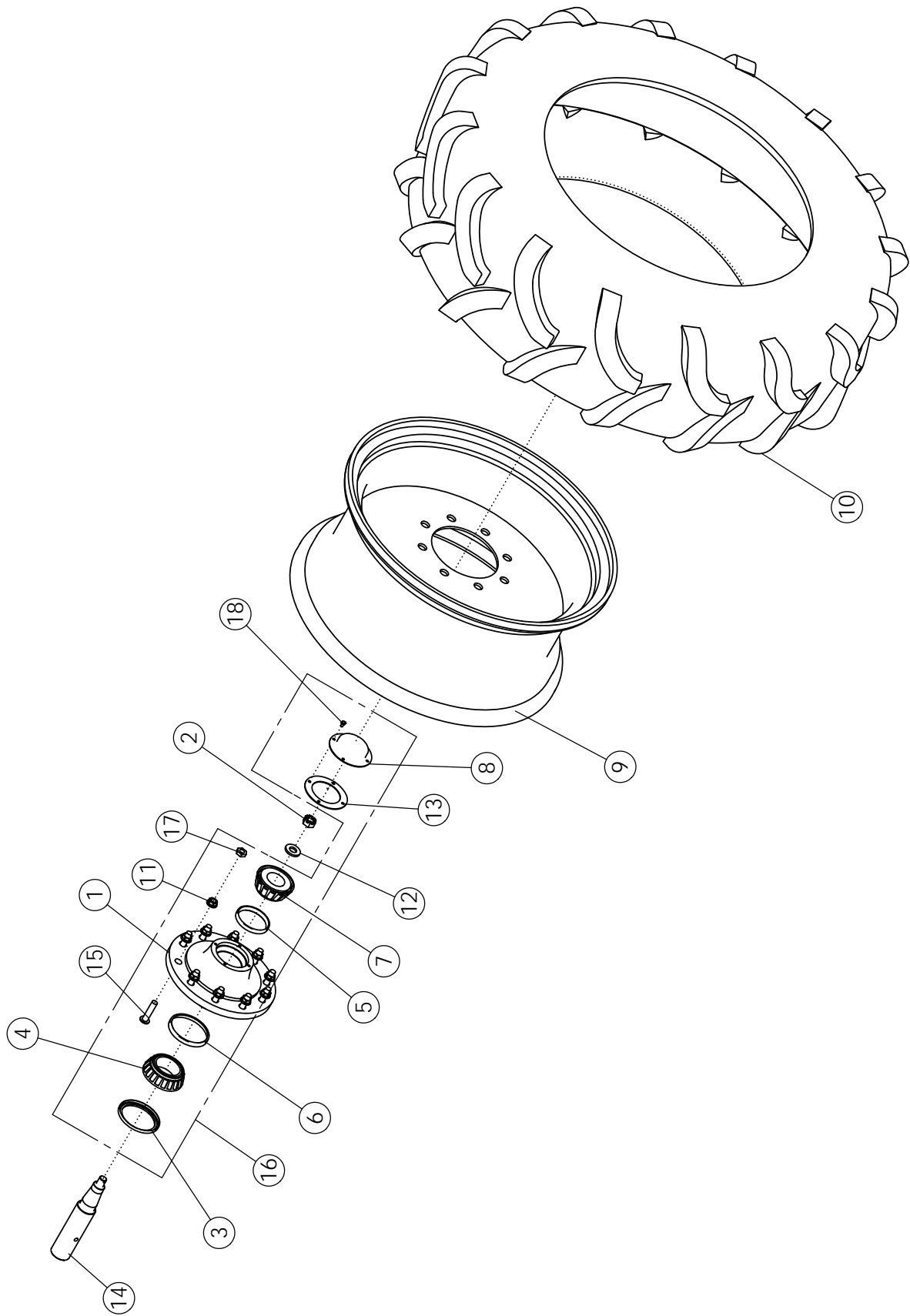
ITEM	PART NO.	DESCRIPTION	QTY
1	301081	WLDMT-AXLE STEERABLE ADC	1
2	73078	WLDMT-SPINDLE HOUSING	2
3	59205	BUSHING	4
4	73097	BEARING-CIRCULAR DISC	2
5	73092	WLDMT-KING PIN	2
6	73105	PLATE-KING PIN WASHER	2
7	301108	PLATE-CENTER BOGIE	1
8	301111	PLATE-BOGIE WHEEL	2
9	64192	STAND OFF	4
10	53825	BOGIE WHEEL 5"	4
11	72773	BOLT-HEX: .63 X 11.00 NC GR5 ZP	1
12	1016595	NUT-TOPLOCK: .63 NC GR5 ZP	5
13	1011748	ZERK-GREASE: .25 UNF STRAIGHT	8
14	1013068	BOLT-HEX: .63 X 6.00 NC GR5 ZP	2
15	1027461	NUT-TOPLOCK: .50 NC GR5 ZP	10
16	1011606	BOLT-HEX: .50 X 1.25 NC GR5 ZP	6
17	37309	ASSY-HUB AND SPINDLE	2
18	72311	PIN-AXLE MAIN	2
19	1029104	BOLT-HEX: .50 X 3.75 NC GR5 ZP	2
20	1012913	BOLT-HEX .63 X 6.50 NC GR5 ZP	2
21	45572	SPRING BUSHING 1.25 X 1.0 X1.0	4
22	301539	ASSY-SPINDLE HOUSING	2
23	1012060	BOLT-HEX: .75 X 2.00 NC GR5 ZP	2
24	1012061	WASHER-LOCK: .75 ZP	2
25	301094	PLATE-SHIM AXLE STEERABLE 14GA	1
26	301095	PLATE-SPACER AXLE STEERABLE 1.00"	1
27	301345	PLATE-SHIM AXLE STEERABLE 11GA TOP	1
28	301346	PLATE-SHIM AXLE STEERABLE 11GA BOTTOM	1
29	301096	PLATE-AXLE STEER BOLTING SPLIT TOP	1
30	301097	PLATE-AXLE STEER BOLTING SPLIT BOTTOM	1
31	1032288	BOLT-HEX: 1.0 x 4.50 NC GR8 ZP	9
32	1016663	WASHER-FLAT	18
33	1016969	NUT-TOPLOCK: 1.00 NC GR5 ZP	9
34	301125	WLDMT-AXLE STEERABLE SHORT LH ADC	1
35	301126	WLDMT-AXLE STEERABLE LONG RH ADC	1

\*ITEMS 2 AND 21 INCLUDED WITH ITEM 22



# STEERING INDICATOR ASSEMBLY

ITEM	PART NO.	DESCRIPTION	QTY
1	1030700	NUT-TOPLOCK: .31 NC GR5 ZP	6
2	65656	U-BOLT: .313 X 5.00 X 2 X 5.00	3
3	1011623	BOLT-HEX: .63 X 2.00 NC GR5 ZP	2
4	1016999	NUT-TOPLOCK: .38 NC GR5 ZP	1
5	1011586	WASHER-LOCK: .38 ZP	3
6	1011828	WASHER-FLAT .38 ZP	5
7	1011599	BOLT-HEX: .38 X .75 NC GR5 ZP	3
8	73437	PLATE-INDICATOR AXLE MOUNT	1
9	73438	WLDMT-INDICATOR TRUNNION MOUNT	1
10	73436	PLATE-INDICATOR CABLE MOUNT	1
11	73435	PLATE-INDICATOR GAUGE	1
12	73434	PLATE-INDICATOR DIAL	1
13	1016595	NUT-TOPLOCK: .63 NC GR5 ZP	2
14	73441	PUSH-PULL CABLE 10-32 X 9' (NOT SHOWN)	1
15	37761	P-CLIP .38 X 1.00 (NOT SHOWN)	1
16	1011600	BOLT-HEX: .38 X 1.00 NC GR5 ZP	1



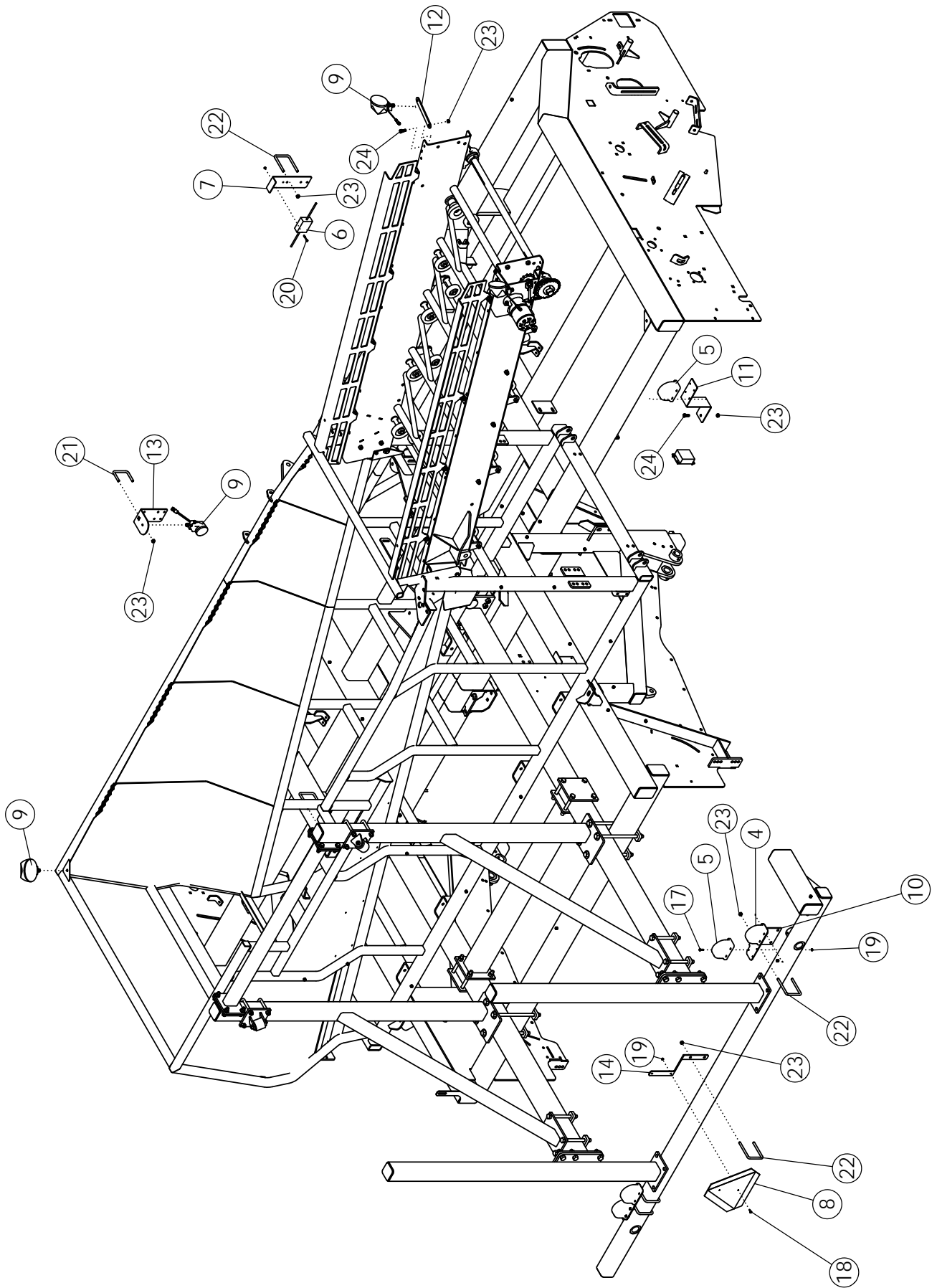
# SPINDLE & HUB ASSEMBLY

ITEM	PART NO.	DESCRIPTION	QTY
1	37314**	HUB W/CUPS 7/8 STUDS - 10-BOLT	1
2	320163**	NUT-HEX: 2.00 NF NP	1
3	72972**	SEAL-10 BOLT HUB	1
4	72979**	CONE-INNER	1
5	72977*	CUP-INNER	1
6	72978*	CUP-OUTER	1
7	72980**	CONE-OUTER	1
8	72981**	CAP-HUB	1
9	72646	WHEEL-38XMW23A (.62" INSET)	1
	72497	WHEEL 20X30.5 10 BOLT (.63" INSET) (STEERABLE STRUT)	1
10	72647	TIRE-710/70R38 177A8 R1W	1
	72498	TIRE 600/60R30.5 TL(STEERABLE STRUT)	1
11	37739**	NUT-FLANGE LUG .875 NF	10
12	320164*	WASHER-FLAT 4.0X2.03	1
13	320321	GASKET-RUBBER (13.19 HUB)	1
14	330076	SPINDLE-4.50 HR C1045	1
15	37766*	STUD-WHEEL .875 X 3.41 GR8 UNF	10
16	37309	ASSY-HUB/SPINDLE 10-BOLT	1
17	1040915	NUT-JAM: .88 NF GR2 ZP	10
18	1011596	BOLT-HEX: .31 X .50 NC GR5 ZP	4
19	72644***	TIRE-MNTD: 710/70R38 177A8 R1W LH	1
	72499***	TIRE-MNTD: 600/60R30.5 (60PSI) LH (STEERABLE)	1
20	72645***	TIRE-MNTD: 710/70R38 177A8 R1W RH	1
	72628***	TIRE-MNTD: 600/60R30.5 (60PSI) RH (STEERABLE)	1

\*Items are included with Item 1

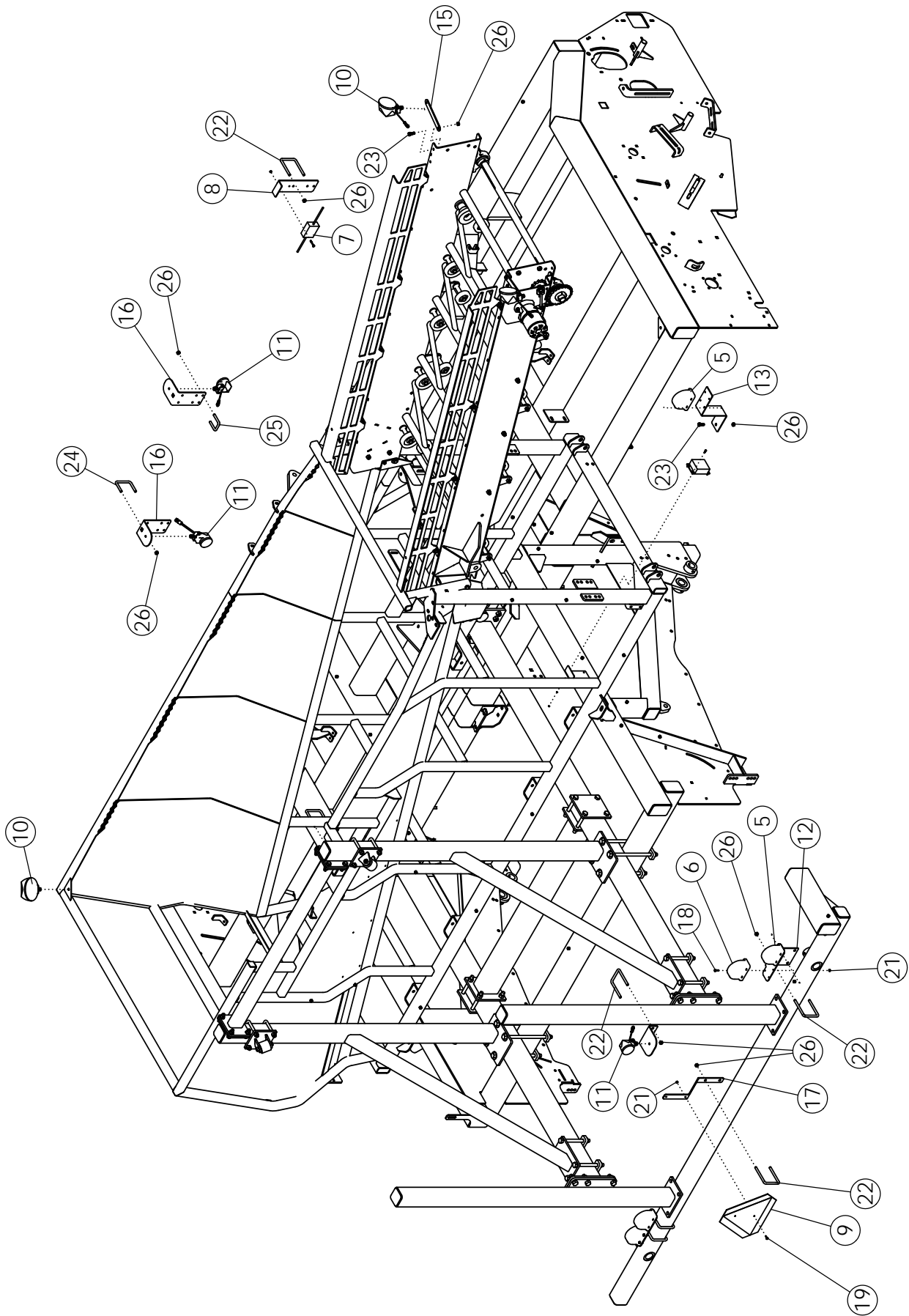
\*\*Items are included with Item 16

\*\*\*Items 19 & 20 come with Items 9 & 10



# LIGHT KIT WHEEL STD

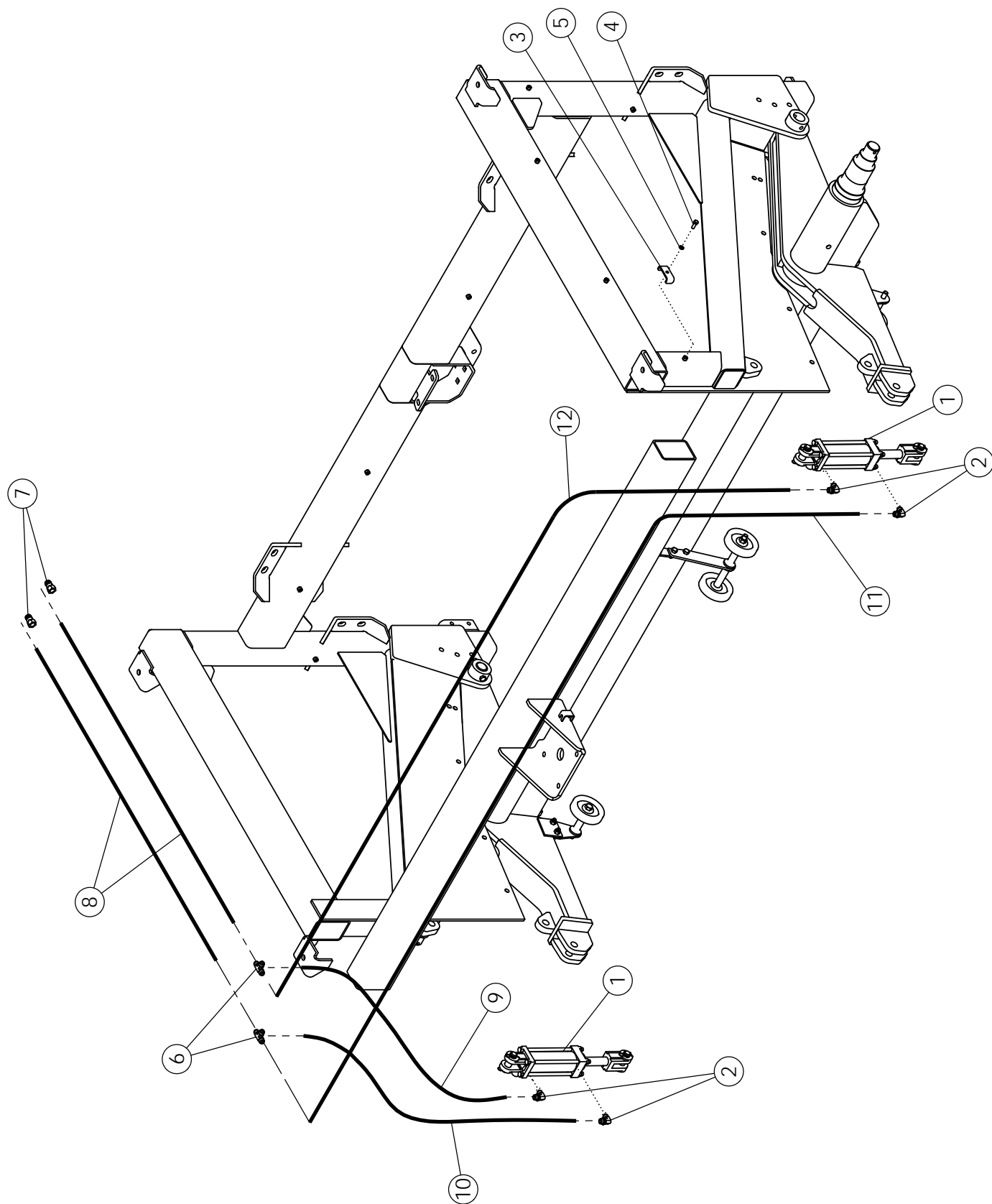
ITEM	PART NO.	DESCRIPTION	QTY
1	301335	HARNESS-HRV 12R MAIN (NOT SHOWN)	1
2	301336	HARNESS-HRV 12R HAZARD (NOT SHOWN)	1
3	301337	HARNESS-HRV 12R WORK LIGHT (NOT SHOWN)	1
4	305218	LIGHT-RED LAMP SAE	2
5	305217	LIGHT-YELLOW LAMP SAE	4
6	305216	HARNESS-FLASHER MODULE	1
7	301339	PLATE-LIGHT MODULE MOUNT	1
8	65329	SIGN-SMV ASAE	1
9	301334	LIGHT-SPEAKER 7100 DEUTSCH	5
10	300322	PLATE-LIGHT RED/AMBER WHEEL	2
11	72917	PLATE-CLEARANCE LIGHT	2
12	300326	PLATE-LIGHT MOUNT BOOM	2
13	300327	PLATE-LIGHT MOUNT	2
14	64246	MOUNT-SMV SIGN	1
15	1013122	TIE-NYLON CABLE 50# X 15.5 (NOT SHOWN)	40
16	62833	CLAMP-ADHESIVE BACKED CABLE (NOT SHOWN)	8
17	1013423	BOLT-HEX: .25 X 1.00 NC GR5 ZP	24
18	1011595	BOLT-HEX: .25 X .75 NC GR5 ZP	2
19	1030946	NUT-TOPLOCK: .25 NC GR5 ZP	28
20	1016853	BOLT-HEX: .25 X 1.75 NC GR5 ZP	2
21	54653	U-BOLT: .50 X 3.25 X 4.00 X 3.25	4
22	33856	U-BOLT: .50 X 5.50 X 4 X 5.50	5
23	1027461	NUT-TOPLOCK: .50 NC GR5 ZP	22
24	1011606	BOLT-HEX: .50 X 1.25 NC GR5 ZP	4





# LIGHT KIT WHEEL HD

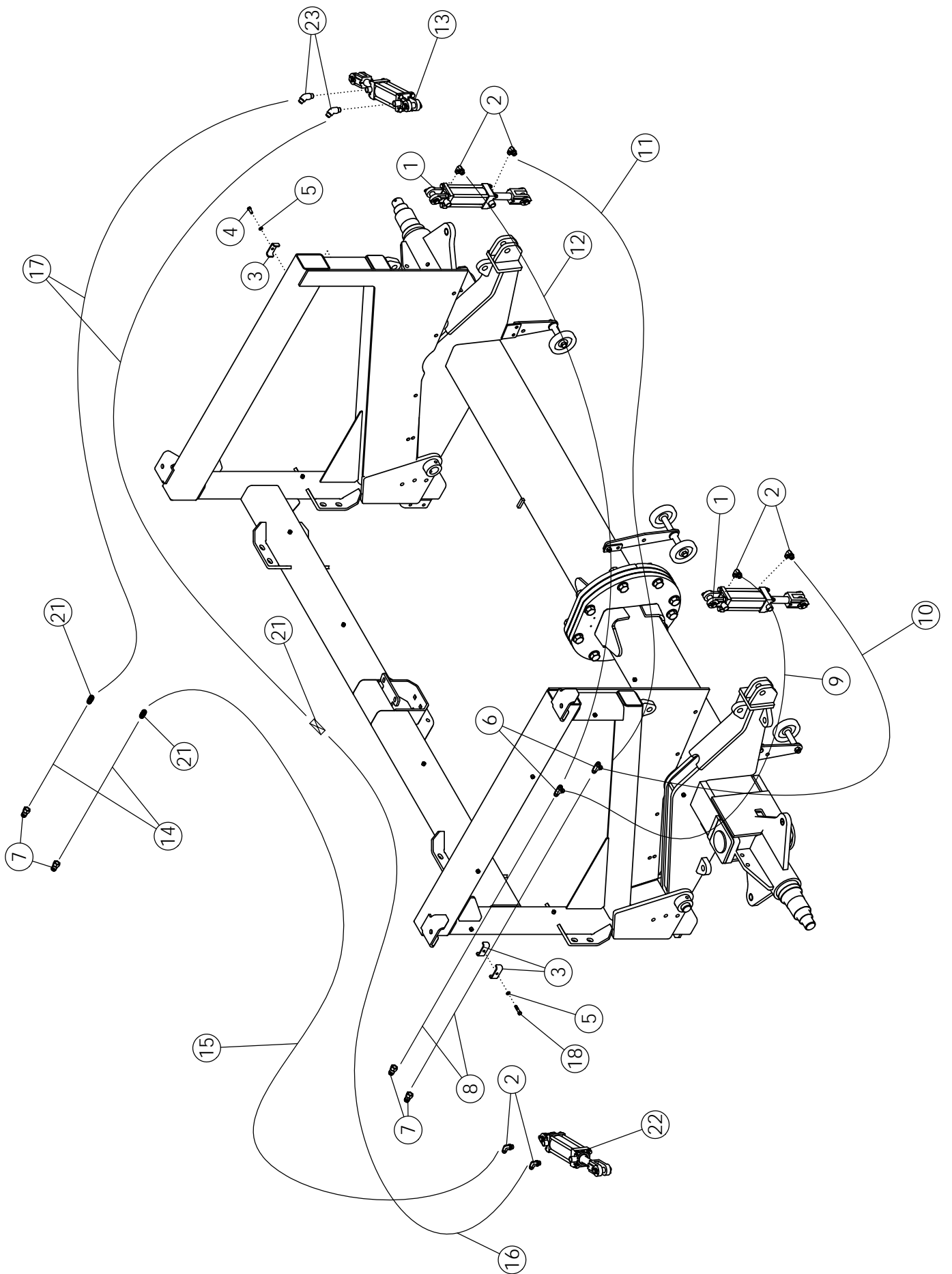
ITEM	PART NO.	DESCRIPTION	QTY
1	301335	HARNESS-HRV 12R MAIN (NOT SHOWN)	1
2	301336	HARNESS-HRV 12R HAZARD (NOT SHOWN)	1
3	301337	HARNESS-HRV 12R WORK LIGHT (NOT SHOWN)	1
4	301338	HARNESS-12R EXTENSION	1
5	305218	LIGHT-RED LAMP SAE	2
6	305217	LIGHT-YELLOW LAMP SAE	4
7	305216	HARNESS-FLASHER MODULE	1
8	301339	PLATE-LIGHT MODULE MOUNT	1
9	65329	SIGN-SMV ASAE	1
10	301293	LIGHT-GROTE 1200 OVAL FLOOD	3
11	301294	LIGHT-GROTE T26 NESAR FLOOD	4
12	300322	PLATE-LIGHT RED/AMBER WHEEL	2
13	72917	PLATE-CLEARANCE LIGHT	2
14	300325	PLATE-LIGHT MOUNT WHEEL	1
15	300326	PLATE-LIGHT MOUNT BOOM	2
16	300327	PLATE-LIGHT MOUNT	3
17	64246	MOUNT-SMV SIGN	1
18	1013423	BOLT-HEX: .25 X 1.00 NC GR5 ZP	24
19	1011595	BOLT-HEX: .25 X .75 NC GR5 ZP	2
20	1016853	BOLT-HEX: .25 X 1.75 NC GR5 ZP	2
21	1030946	NUT-TOPLOCK: .25 NC GR5 ZP	26
22	33856	U-BOLT: .50 X 5.50 X 4 X 5.50	6
23	1011606	BOLT-HEX: .50 X 1.25 NC GR5 ZP	4
24	54653	U-BOLT: .50 X 3.25 X 4.00 X 3.25	6
25	65658	U-BOLT: .50 X 3 X 2.06 X 3	2
26	1027461	NUT-TOPLOCK: .50 NC GR5 ZP	28



# AXLE HYDRAULICS

ITEM	PART NO.	DESCRIPTION	QTY
1	72950	CYLINDER-HYDRAULIC 4 X 10-3000-90°	2
	301315	SEAL KIT FOR 72950 UNIVERSAL	
2	58560	FTG-ELBOW: 8MB-8MJ-90	4
3	50714	CLAMP .50 ZP	25
4	1011600	BOLT-HEX: .38 X 1.00 NC GR5 ZP	25
5	1011586	WASHER-LOCK: .38 ZP	25
6	57667	FTG-TEE: 8MJ-8MJ-8MJ	2
7	36290	PIONEER TIP 8010-15P (#8 ORB)	2
8	300047	HOSE: .38 X 348 8MB-8FJX	2
9	72476	HOSE: .38 X 25 8FJX-8FJX	1
10	72909	HOSE: .38 X 38 8FJX-8FJX	1
11	72480	HOSE: .38 X 177 8FJX-8FJX	1
12	72479	HOSE: .38 X 164 8FJX-8FJX	1
13	52320*	CYLINDER STOP A-KIT (NOT SHOWN)	2
14	54004*	CYLINDER STOP 1-1/2 (NOT SHOWN)	6

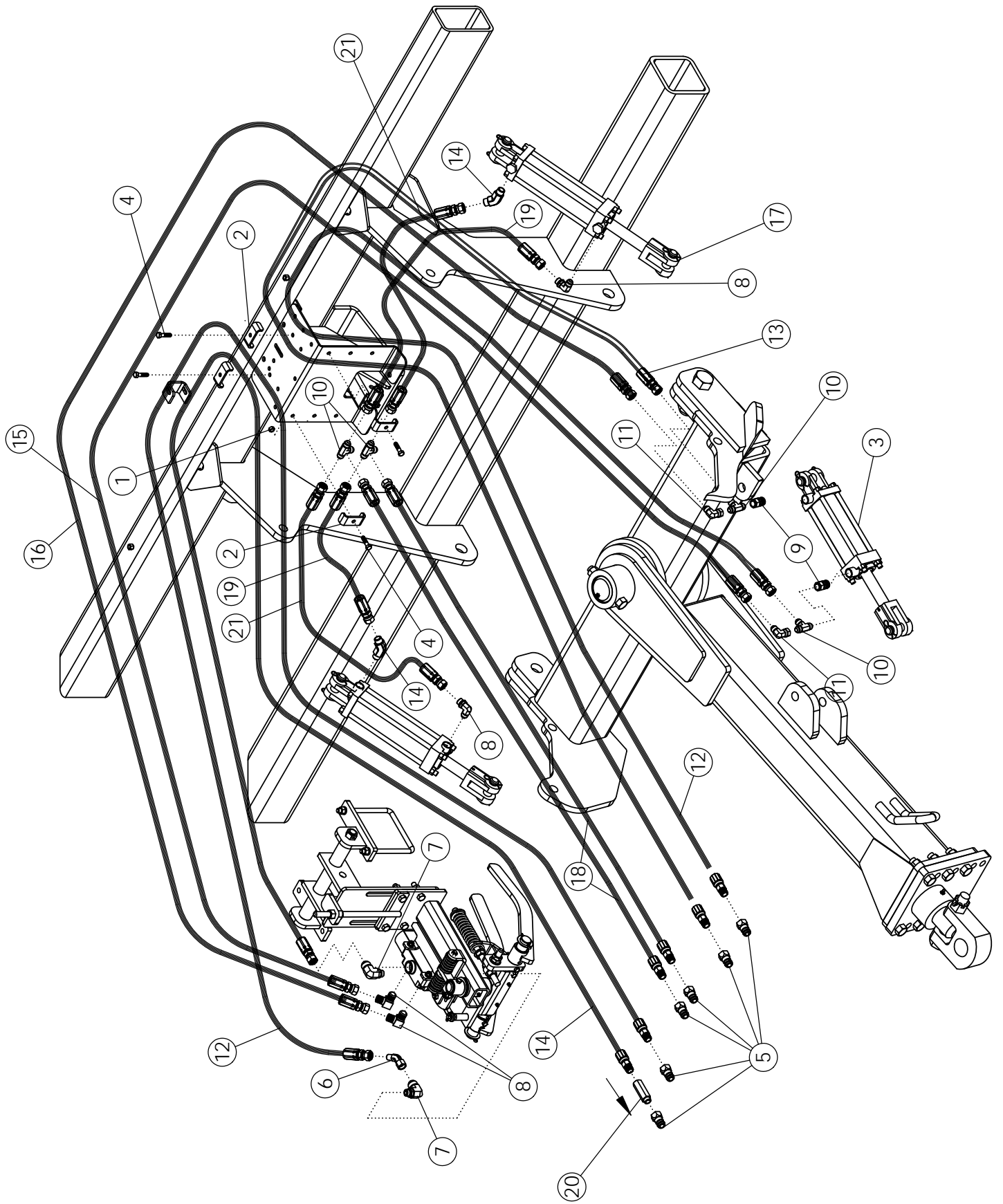
\* USE AS REQUIRED TO LEVEL HARVESTER



# STEERABLE STRUT HYDRAULICS

ITEM	PART NO.	DESCRIPTION	QTY
1	72950	CYLINDER-HYDRAULIC 4 X 10-3000-90°	2
	301315	SEAL KIT FOR 72950 UNIVERSAL	
2	58560	FTG-ELBOW: 8MB-8MJ-90	6
3	50714	CLAMP .50 ZP	39
4	1011600	BOLT-HEX: .38 X 1.00 NC GR5 ZP	25
5	1011586	WASHER-LOCK: .38 ZP	32
6	57667	FTG-TEE: 8MJ-8MJ-8MJ	2
7	36290	PIONEER TIP 8010-15P (#8 ORB)	4
8	300047	HOSE: .38 X 348 8MB-8FJX	2
9	72476	HOSE: .38 X 25 8FJX-8FJX	1
10	72909	HOSE: .38 X 38 8FJX-8FJX	1
11	72480	HOSE: .38 X 177 8FJX-8FJX	1
12	72479	HOSE: .38 X 164 8FJX-8FJX	1
13	301340	CYLINDER-HYD: 4" X 6" RPHS 3000 (RH REAR)	1
	301367	SEAL KT-CYL: 4 X 6 3000PSI #301340	
	301380	CLEVIS KT-CYL 4 X 6, 4.25 X 6 REPHASE	
14	301848	HOSE: .38 X 300 8FJX-8MB	2
15	68247	HOSE: .38 X 60 8FJX-8FJX	1
16	301364	HOSE: .38 X 040 8FJX-8FJX	1
17	64104	HOSE: .38 X 198 8FJX-8FJX	2
18	1011603	BOLT-HEX: .38 X 1.75 NC GR5 ZP	7
19	52320*	CYLINDER STOP A-KIT (NOT SHOWN)	2
20	54004*	CYLINDER STOP 1-1/2 (NOT SHOWN)	10
21	58194	FTG-ADAPTER: 8MJ-8MJ	3
22	301365	CYLINDER-HYD: 4.25 X 6" RPHS 3000 (LH FRONT)	1
	301368	SEAL KT-CYL: 4.25 X 6 3000PSI #301365	
	301380	CLEVIS KT-CYL 4 X 6, 4.25 X 6 REPHASE	
23	58515	FTG-ELBOW: 8MB-8MJ-45	2

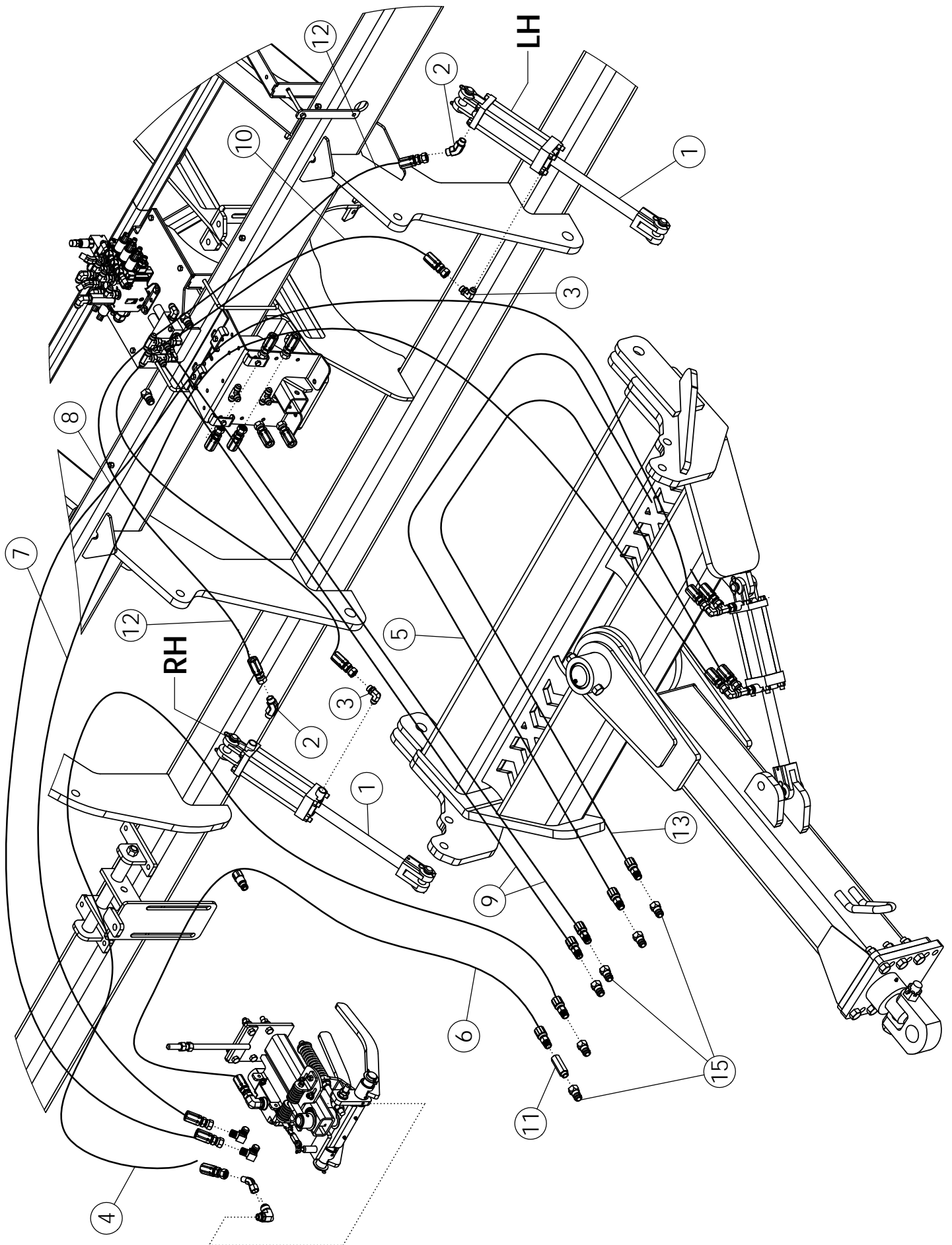
\* USE AS REQUIRED TO LEVEL HARVESTER



# ROW FINDER AND HITCH HYDRAULICS

ITEM	PART NO.	DESCRIPTION	QTY
1	1016999	NUT-TOPLOCK: .38 NC GR5 ZP	6
2	50714	CLAMP .50 ZP	6
3	58891	CYLINDER-HYDRAULIC 4 X 8" 3000	1
	301315	SEAL KIT FOR 58991 UNIVERSAL	
4	1011602	BOLT-HEX: .38 X 1.50 NC GR5 ZP	6
5	36290	PIONEER TIP 8010-15P (#8 ORB)	6
6	57663	FTG-ELBOW: 8MJ-8FJX-45	1
7	65901	FTG-ELBOW: 10MB-8MJ-90	2
8	58560	FTG-ELBOW: 8MB-8MJ-90	4
9	56941	FTG-ADAPTER: 8MB-8FJX	2
10	57667	FTG-TEE: 8MJ-8MJ-8MJ	4
11	57668	FTG-ELBOW: 8MJ-8FJX 90	2
12	300037	HOSE: .50 X 153 8MB-8FJX	2
13	300038	HOSE: .50 X 150 8MB-8FJX	2
14	58515	FTG-ELBOW: 8MB-8MJ-45	2
15	57672	HOSE: .50 X 098 8FJX-8FJX	1
16	57673	HOSE: .50 X 096 8FJX-8FJX	1
17	62082	CYLINDER-HYDRAULIC 4 X 10" 3000	2
	301315	SEAL KIT FOR 62082 UNIVERSAL	
18	301735	HOSE: .50 X 112 8MB-8FJX	2
19	57676	HOSE: .50 X 031 8FJX-8FJX (6R/8R)	2
	1015221	HOSE: .50 X 040 8FJX-8FJX(12R)	
20	300070	CHECK VALVE 8MB-8FB FLOW F-->M (FC-08R)	1
21	57677	HOSE: .50 X 021 8FJX-8FJX (6R/8R)	2
	1018115	HOSE: .50 X 030 8FJX-8FJX (12R)	

**\*\*IMPORTANT\*\* ITEM 20 (PN: 300070-CHECK VALVE) MUST BE INSTALLED AS SHOWN PER THE DIAGRAM, TO PREVENT PREMATURE ROWFINDER VALVE FAILURE.**



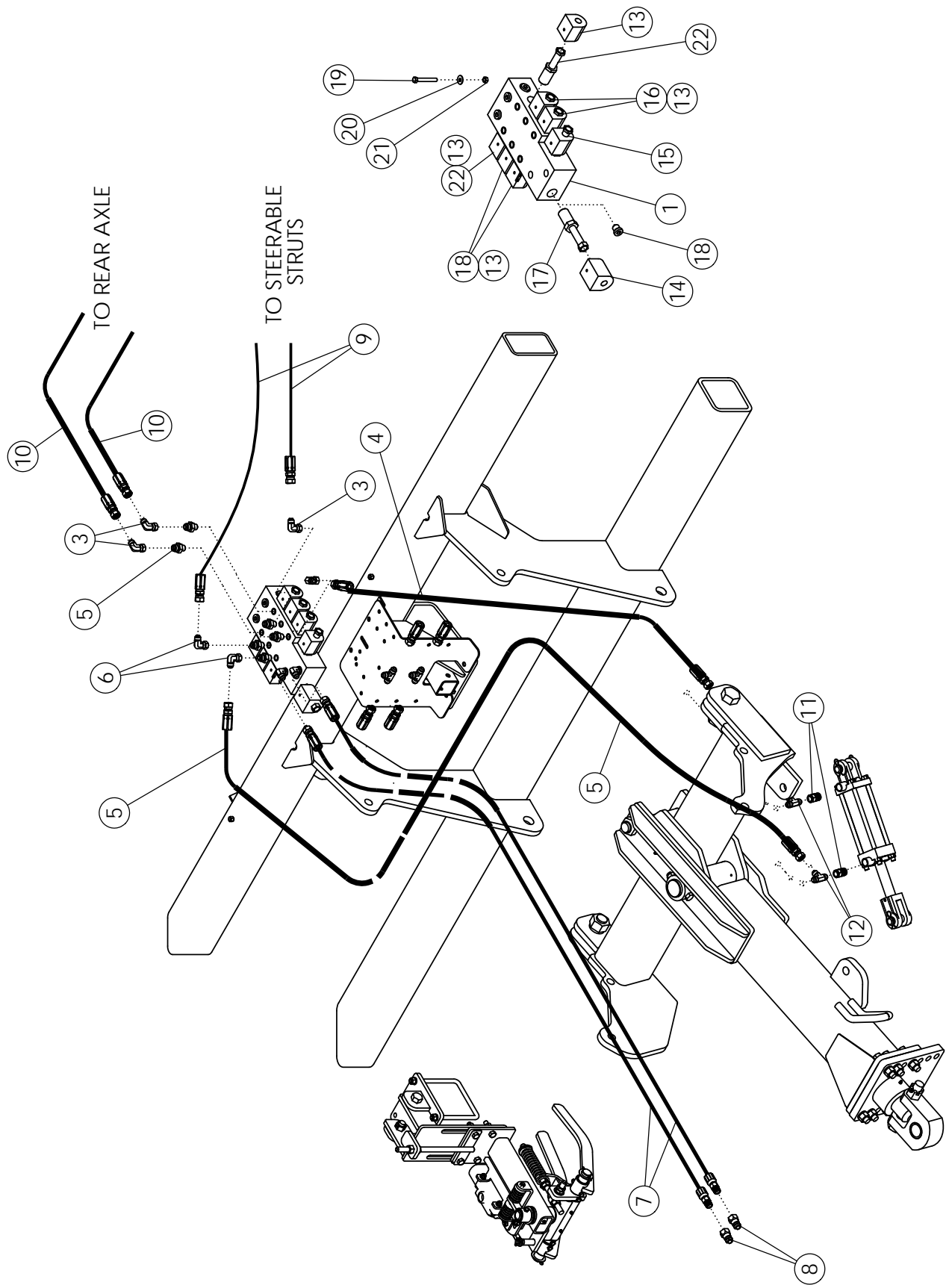


# ROW FINDER AND HITCH HYDRAULICS

ITEM	PART NO.	DESCRIPTION	QTY
1	58891	CYLINDER-HYDRAULIC 4 X 8" 3000	2
	301315	SEAL KIT FOR 58991 UNIVERSAL	
2	58515	FTG-ELBOW: 8MB-8MJ-45	2
3	57668	FTG-ELBOW: 8MJ-8FJX 90	2
4	301642	HOSE: .50 X 322 8MB-8FJX	1
5	301645	HOSE: .50 X 215 8MB-8FJX	1
6	301641	HOSE: .50 X 314 8MB-8FJX	1
7	301644	HOSE: .50 X 295 8FJX-8FJX	1
8	301643	HOSE: .50 X 286 8FJX-8FJX	1
9	301647	HOSE: .50 X 143 8MB-8FJX	2
10	1015221	HOSE: .50 X 040 8FJX-8FJX(12R)	2
11	300070	CHECK VALVE 8MB-8FB FLOW F-->M (FC-08R)	1
12	1018115	HOSE: .50 X 030 8FJX-8FJX (12R)	2
13	301646	HOSE: .50 X 223 8MB-8FJX	1
14	301648*	HOSE: .38 X 160 8MB-6FJX (NOT SHOWN)	1
15	36290	PIONEER TIP 8010-15P (#8 ORB)	5

\*USED WITH ADC VALVE CONTROL BOX

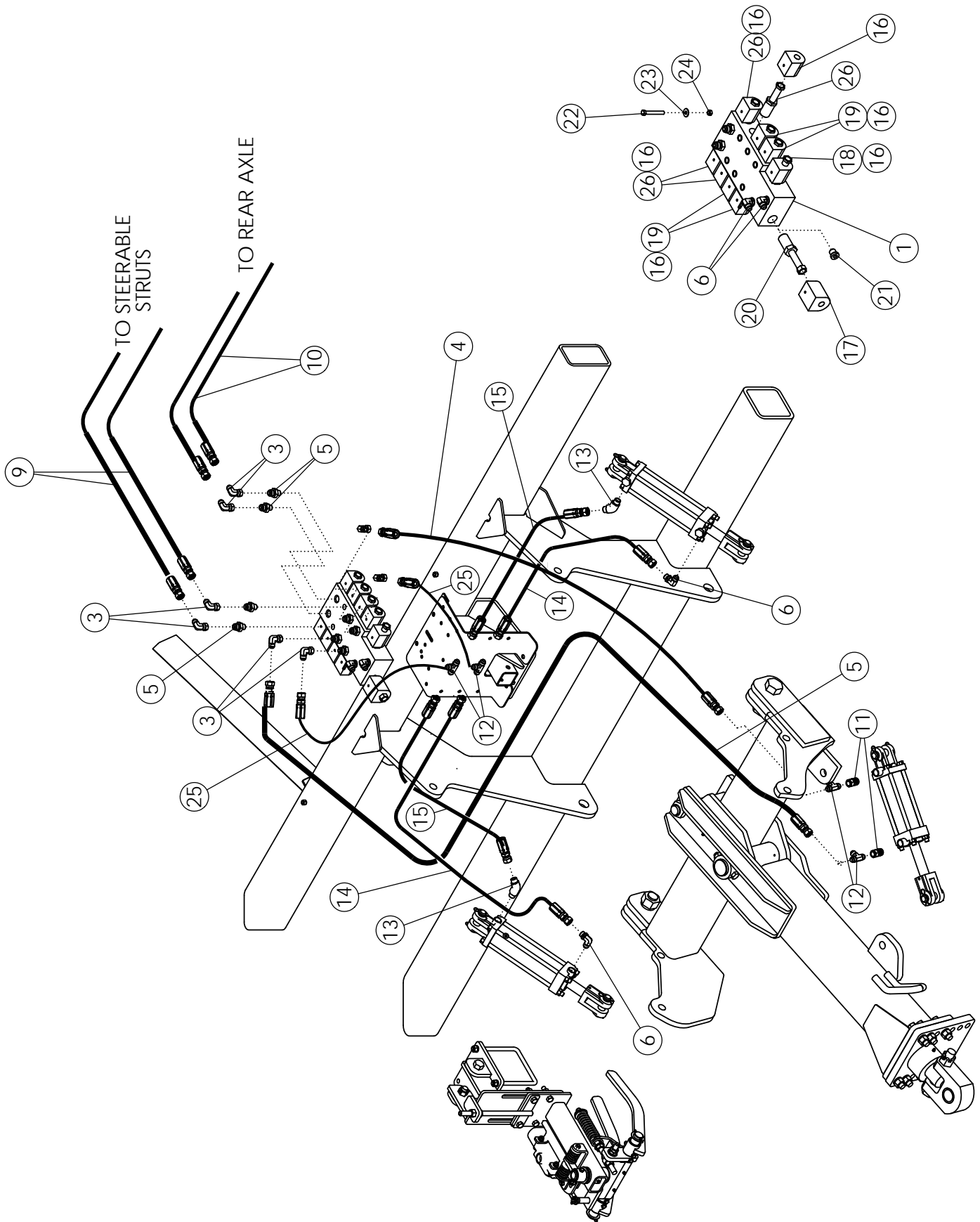
**\*\*IMPORTANT\*\* USE NEW FITINGS ITEMS 2-3 WITH NEW CYLINDERS; ITEM 11 (PN: 300070-CHECK VALVE) MUST BE INSTALLED AS SHOWN PER THE DIAGRAM, TO PREVENT PREMATURE ROWFINDER VALVE FAILURE.**



### 3 BANK VALVE W/TOGGLE

ITEM	PART NO.	DESCRIPTION	QTY
1	69425	VALVE-3BANK W/TOGGLE CONTROL BOX	1
2	62024	FTG-ADAPTER: 6MB-8MJ	6
3	57668	FTG-ELBOW: 8MJ-8FJX-90	6
4	57012	HOSE: .50 X 058 8FJX-8FJX	1
5	64087	HOSE: .50 X 070 8FJX-8FJX	1
6	58560	FTG-ELBOW: 8MB-8MJ-90	2
7	301735	HOSE: .50 X 112 8MB-8FJX	2
8	36290	PIONEER TIP 8010-15P (#8 ORB)	2
9	64102	HOSE: .38 X 180 8FJX-8FJX	2
10	69737	HOSE: .38 X 240 8FJX-8FJX (NON ADC)	2
	67520	FTG-CAP 8FJ (ADC ONLY)	
11	56941	FTG-ADAPTER: 8MB-8FJX	2
12	57667	FTG-TEE: 8MJ-8MJ-8MJ	2
13	301280	COIL-SMALL	6
14	301279*	COIL-LARGE	2
15	62866	CARTRIDGE	1
16	62867	CARTRIDGE	6
17	62868*	CARTRIDGE	1
18	301732*	PLUG-CAVITY	1
19	1019828	BOLT-HEX: .38 X 2.75 NC GR5 ZP	2
20	1011828	WASHER-FLAT: .38 ZP	8
21	1016999	NUT-TOPLOCK: .38 NC GR5 ZP	2
22	69632	CARTRIDGE-FASSE DUAL POPPET	2
23	301277	HARNES-FASSE VALVE (3 BANK) (NOT SHOWN)	1

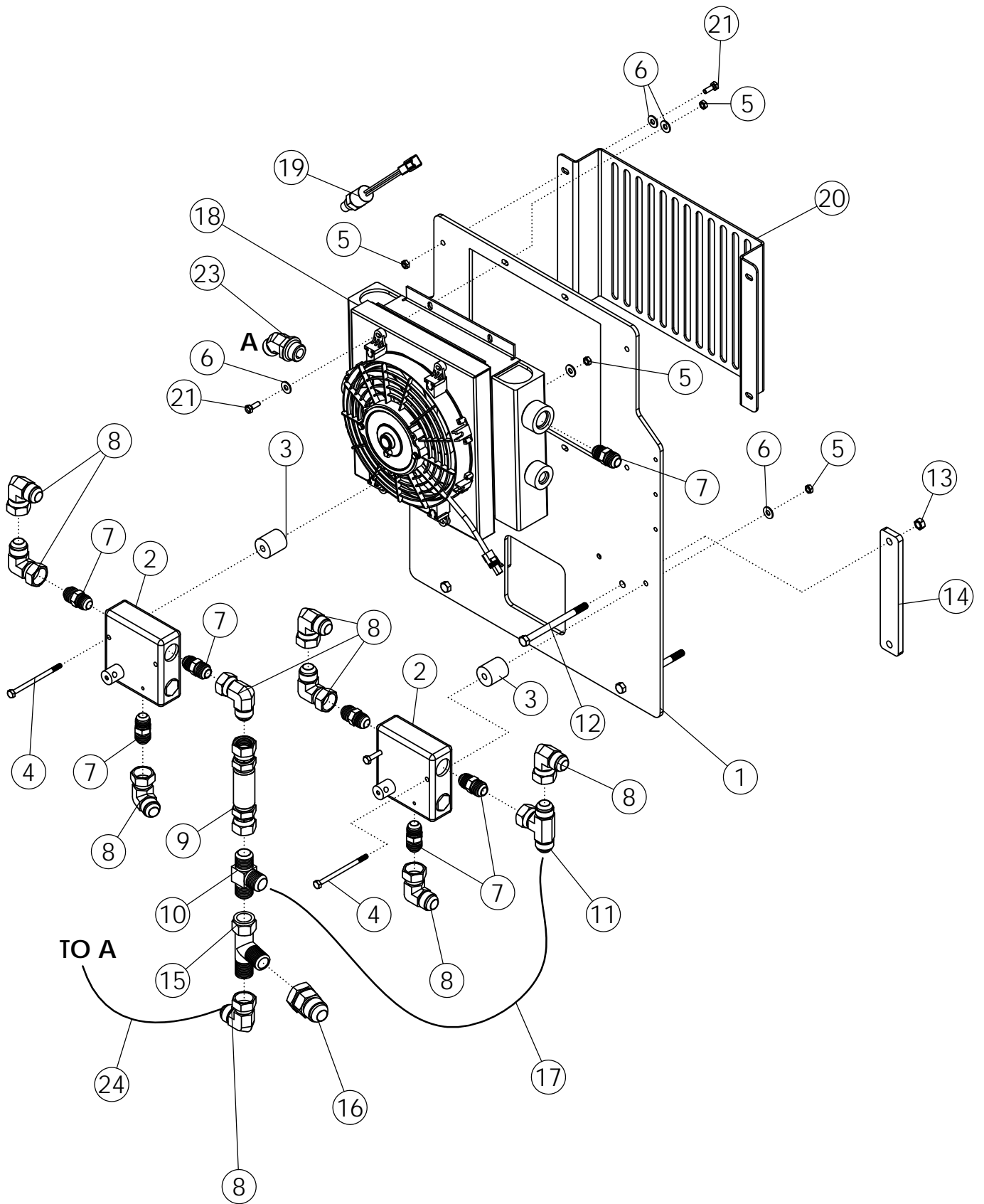
\*IMPORTANT: VALVE (69425) IS SHIPPED OPEN CENTER. TO CONVERT TO CLOSED CENTER, REMOVE COIL AND CARTRIDGE (301279 & 62868) FROM THE END OF THE VALVE BODY AND REPLACE WITH CAVITY PLUG (301732) WHICH IS SUPPLIED WITH THE VALVE.



## 4 BANK VALVE W/TOGGLE

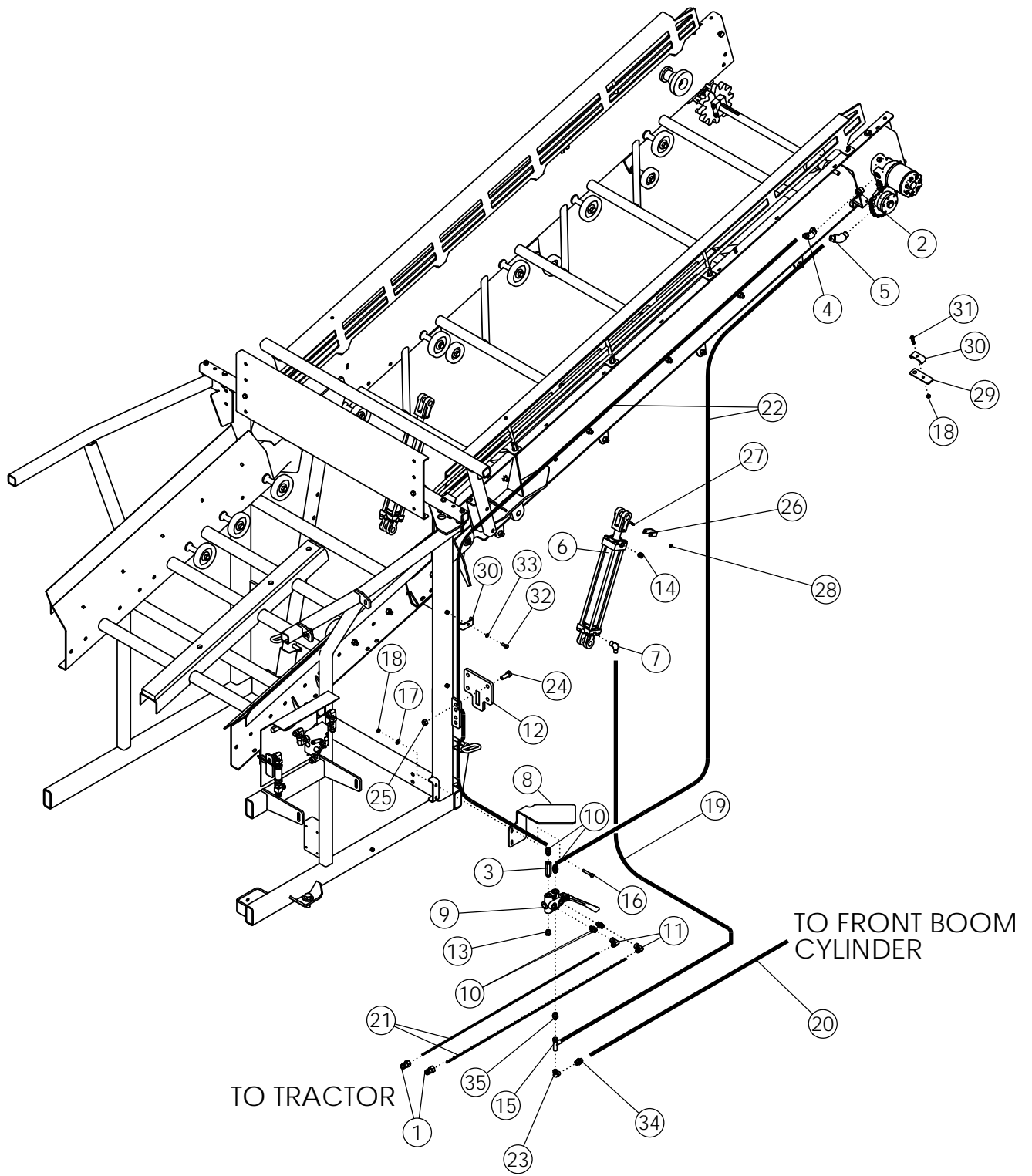
ITEM	PART NO.	DESCRIPTION	QTY
1	69426	VALVE-4 BANK W/TOGGLE CONTROL BOX	1
2	62024	FTG-ADAPTER: 6MB-8MJ	8
3	57668	FTG-ELBOW: 8MJ-8FJX-90	8
4	57012	HOSE: .50 X 058 8FJX-8FJX	1
5	64087	HOSE: .50 X 070 8FJX-8FJX	1
6	58560	FTG-ELBOW: 8MB-8MJ-90	2
7	301278	HARNES-FA SSE VALVE (4 BANK) (NOT SHOWN)	1
8	63362	ASSY-CONTROL BOX 4 BANK (NOT SHOWN)	1
9	64102	HOSE: .38 X 180 8FJX-8FJX	2
10	69737	HOSE: .38 X 240 8FJX-8FJX	2
11	56941	FTG-ADAPTER: 8MB-8FJX	2
12	57667	FTG-TEE: 8MJ-8MJ-8MJ	2
13	58515	FTG-ELBOW: 8MB-8MJ-45	2
14	1015221	HOSE: .50 040 8FJX-8FJX	2
15	1018115	HOSE: .50 X 030 8FJX-8FJX	2
16	301280	COIL-SMALL	8
17	301279*	COIL-LARGE	2
18	62866	CARTRIDGE	1
19	62867	CARTRIDGE	4
20	62868*	CARTRIDGE	1
21	301732*	PLUG-CAVITY	1
22	1019828	BOLT-HEX: .38 X 2.75 NC GR5 ZP	2
23	1011828	WASHER-FLAT: .38 ZP	8
24	1016999	NUT-TOPLOCK: .38 NC GR5 ZP	2
25	57677	HOSE: .38 X 021 8FJX-8FJX	2
26	69632	CARTRIDGE-FA SSE DUAL POPPET	4

\*IMPORTANT: VALVE (69426) IS SHIPPED OPEN CENTER. TO CONVERT TO CLOSED CENTER, REMOVE COIL AND CARTRIDGE (301279 & 62868) FROM THE END OF THE VALVE BODY AND REPLACE WIT CAVITY PLUG (301732) WHICH IS SUPPLIED WITH THE VALVE.



# VALVE GROUP ASSY

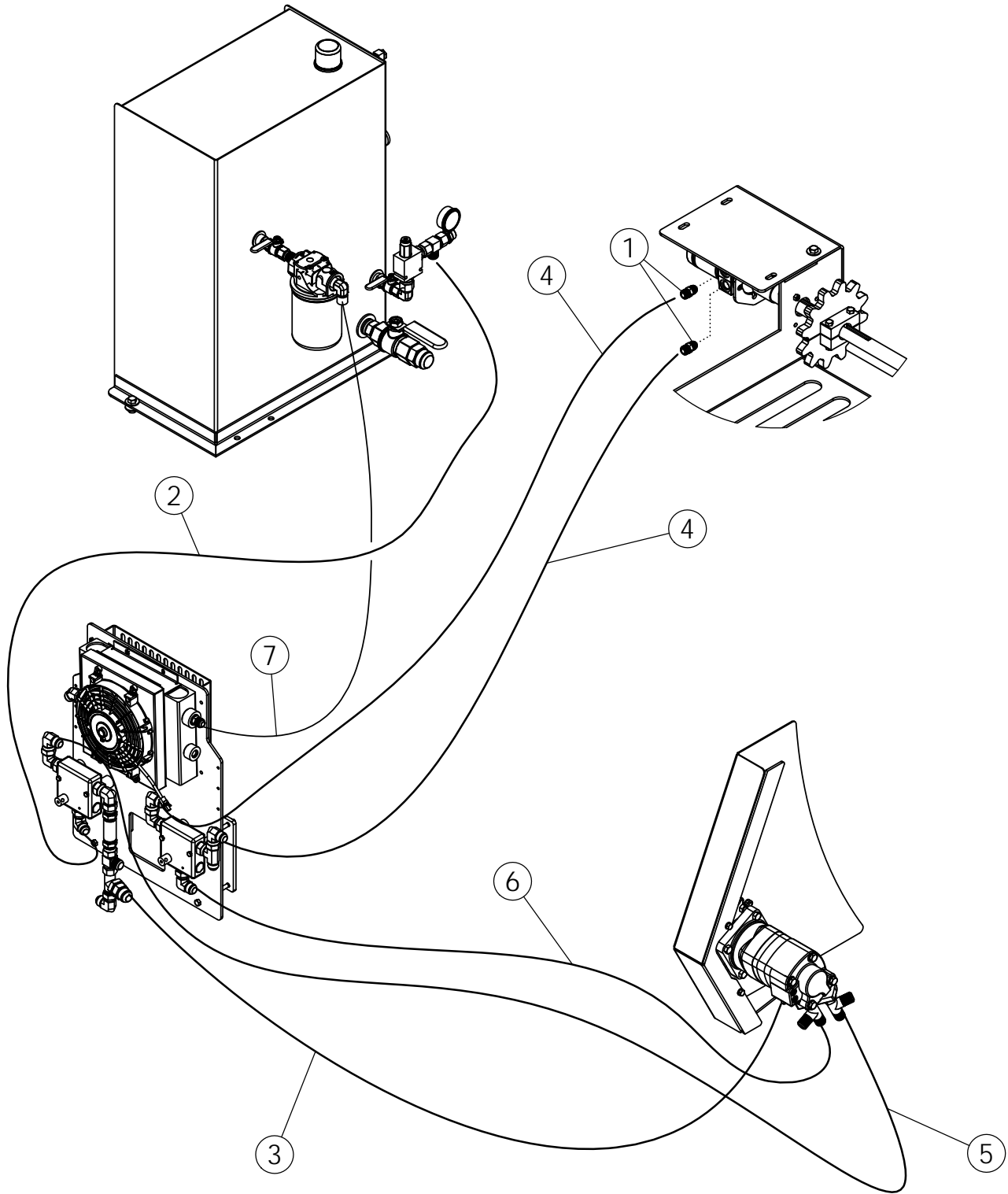
ITEM	PART NO.	DESCRIPTION	QTY
1	301187	BRACKET-FLOW CONTROL 12RW	1
2	301266	VALVE-FLOW CONTROL- 3/4" FP	2
	301375	SEAL KIT FOR 301266	
3	59463	SPACER	4
4	1030776	BOLT-HEX: .25 X 6.00 NC GR5	4
5	1030946	NUT-TOPLOCK: .25 NC GR5 ZP	12
6	1020416	WASHER-FLAT: .25 ZP	24
7	65918	FTG-ADAPTER: 12MB-12MJ	7
8	59041	FTG-ELBOW 12MJ-12FJX-90	9
9	63471	ASSY-TUBE LINE .75 X 5.25 0-0	1
10	58986	FTG-TEE: 12MJ-12MJ-12MJ	2
11	59053	FTG-TEE 12MJ-12MJ-12FJX	1
12	1021757	BOLT-HEX: .38 X 5.00 NC GR5 ZP	4
13	1016999	NUT-TOPLOCK: .38 NC GR5 ZP	4
14	73601	PLATE-BOLTING 7INCH TUBE	2
15	59888	FTG-TEE: 12MJ-12FJX-12MJ	1
16	300246	FTG-ADAPTER: 12FJ-6MJ	1
17	63473	HOSE: .75 X 019 12FJX-12FJX	1
18	301255	COOLER-AIR/HYD OIL	1
19	301256	SWITCH-TEMP OIL COOLER	1
20	301265	PLATE-SHIELD COOLER	1
21	1011595	BOLT-HEX: .25 X .75 NC GR5 ZP	8
22	301262	HARNESS-COOLER 12R WHEEL (NOT SHOWN)	1
23	63699	FTG-ELBOW 12MB-12MJ-45	1
24	59034	HOSE: .75 X 030 12FJX-12FJX	1





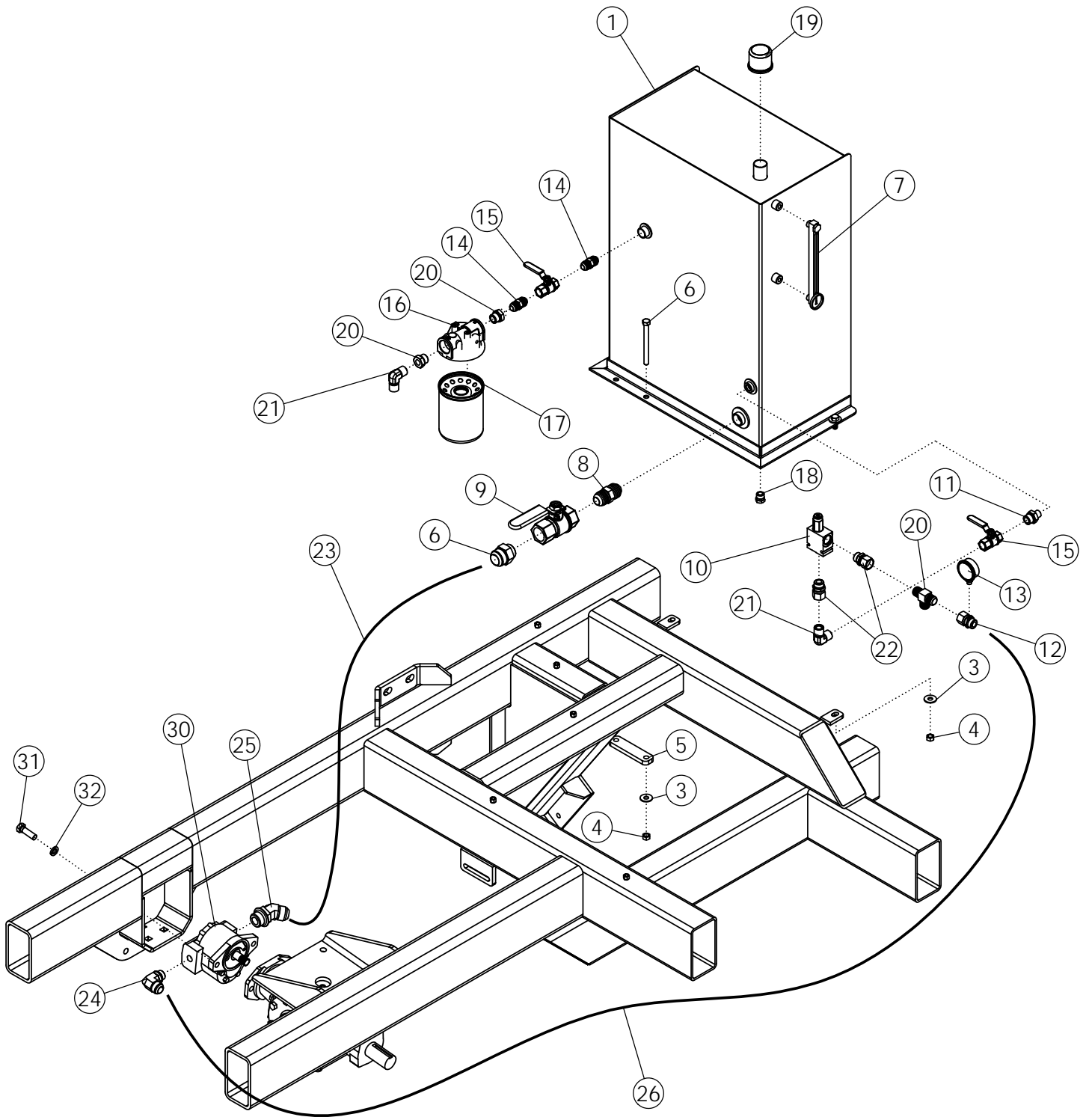
# TANK HYDRAULICS

ITEM	PART NO.	DESCRIPTION	QTY
1	36290	PIONEER TIP 8010-15P (#8 ORB)	2
2	300069	FTG-ADAPTER: 8FB-10MB	1
3	300070	VALVE-CHECK: 8MB-8FB FLOW F-->M (FC-08R)	1
4	58515	FTG-ELBOW: 8MB-8MJ-45	1
5	56229	FTG-ELBOW: 10MB-8MJ-45	1
6	58889	CYLINDER-HYD 2.5 X 16	2
	301313	SEAL KIT FOR 58889 UNIVERSAL	
7	58557	FTG-ELBOW: 8MB-6MJ 90	2
8	72469	GUARD-SELECTOR VALVE PAINTED	1
9	58470	VALVE-SELECTOR PAINTED	1
10	56226	FTG-ADAPTER: 8MB-8MJ	4
11	57668	FTG-ELBOW: 8MJ-8FJX 90	2
12	301298	WLDMT-CYLINDER LUG	2
13	56190	FTG-PLUG: 8MB	1
14	58547	FTG-PLUG: 8MB BREATHER	2
15	56231	FTG-TEE: 6MJ-6FJX-6MJ	1
16	59390	BOLT-HEX: .38 X 2.25 NC GR5 ZP	2
17	1011828	WASHER-FLAT: .38 ZP	2
18	1016999	NUT-TOPLOCK: .38 NC GR5 ZP	6
19	56234	HOSE: .38 X 28 6FJX-6FJX	1
20	56233	HOSE: .38 X 086 6FJX-6FJX	1
21	301849	HOSE: .50 X 380 8FJX-8MB	2
22	58378	HOSE: .50 X 182 8FJX-8FJX	2
23	57897	FTG-ELBOW: 6MJ-6FJX-90	1
24	1013918	BOLT-HEX: .63 X 1.75 NC GR5 ZP	8
25	1016595	NUT-TOPLOCK: .63 NC GR5 ZP	8
26	72945	WLDMT-12R BOOM CYLINDER STOP	2
27	1016211	BOLT-HEX: .25 X 2.00 NC GR5 ZP	2
28	1030946	NUT-TOPLOCK: .25 NC GR5 ZP	2
29	54825	BRACKET-HOSE ZP	3
30	50714	CLAMP .50 ZP	17
31	1011602	BOLT-HEX: .38 X 1.50 NC GR5 ZP	4
32	1011600	BOLT-HEX: .38 X 1.00 NC GR5 ZP	13
33	1011586	WASHER-LOCK: .38 ZP	13
34	300072	FTG-RESTRICTOR (6MJ-6FJ R 1/16)	1
35	66624	FTG-ADAPTER: 6MJ-8MB	1



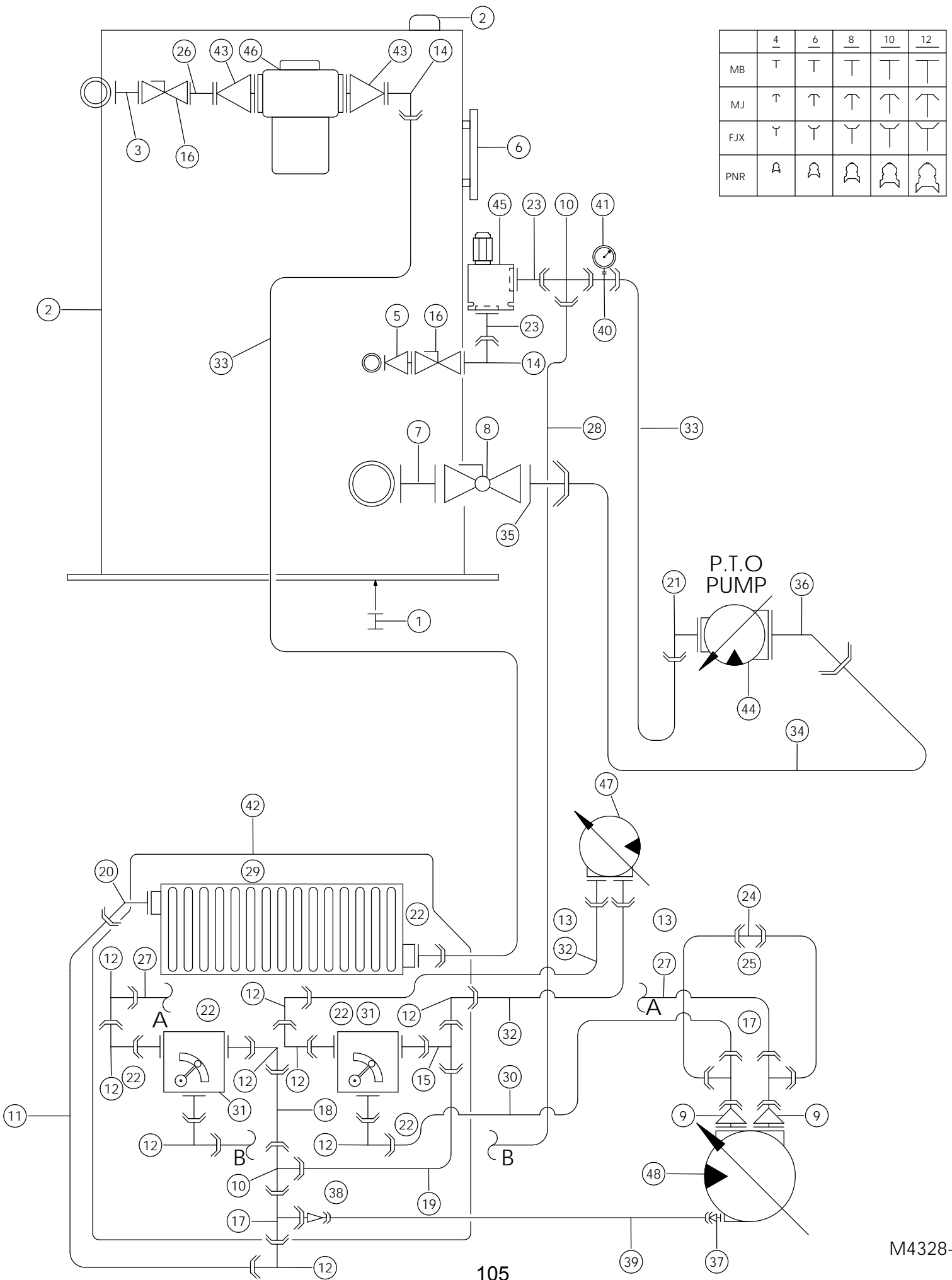
# WHEEL HYDRAULICS

ITEM	PART NO.	DESCRIPTION	QTY
1	59043	FTG-ADAPTER: 10MB-12MJ	2
2	300172	HOSE: .75 X 103 12FJX-12FJX	1
3	300247	HOSE: .38 X 420 6FJX-6FJX	1
4	300176	HOSE: .75 X 243 12FJX-12FJX	2
5	300171	HOSE: .75 X 420 12FJX-12FJX	1
6	300174	HOSE: .75 X 402 12FJX-12FJX	1
7	300177	HOSE: .75 X 074 12FJX-12FJX	1



# HYDRAULIC TANK

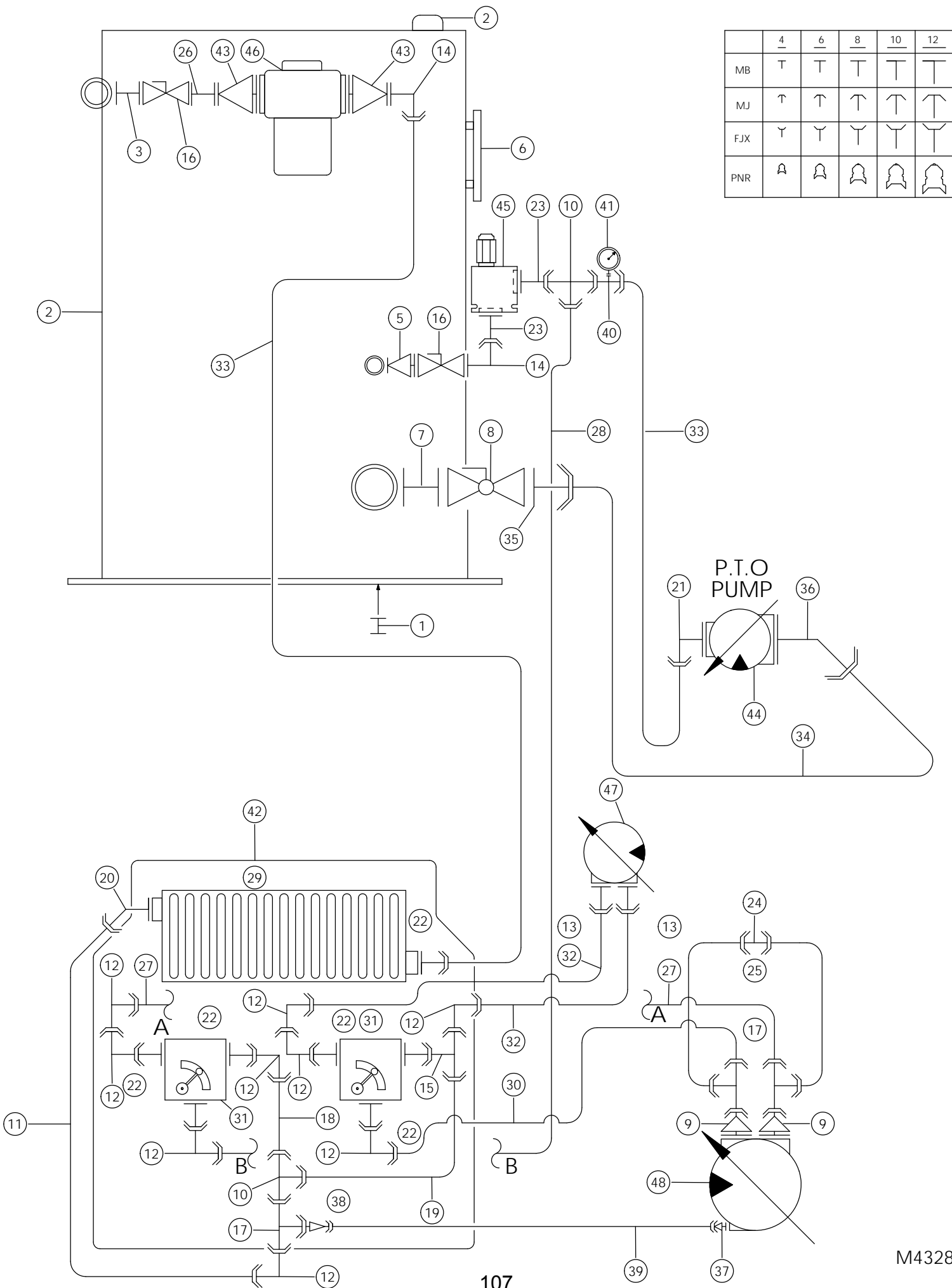
ITEM	PART NO.	DESCRIPTION	QTY
1	58079	HYDRAULIC TANK-PAINTED	1
2	1011606	BOLT-HEX: .50 X 1.25 NC GR5 ZP	2
3	1014443	WASHER-FLAT: .50 ZP	6
4	1027461	NUT-TOPLOCK: .50 NC GR5 ZP	4
5	58204	BAR - BOLTING	1
6	300211	FTG-ADAPTER: 20MP-24MJ	1
7	58914	GAUGE-LEVEL & TEMP	1
8	58978	FTG-ADAPTER: 20MP-20MP	1
9	58979	VALVE-BALL: 20FP-20FP	1
10	301251	VALVE-RELIEF 2800PSI	1
11	58466	FTG-ADAPTER: 12MP-8MP	1
12	301173	FTG-ADAPTER: 12MJ-12FJX W/4FB	1
13	301175	GAUGE-PRESSURE: 1/4" MB 3000PSI	1
14	58196	FTG-ADAPTER: 12MP-12MP	2
15	59165	VALVE-BALL 3/4FP - 3/4FP	2
16	301253	FILTER HEAD 5"	1
17	301254	FILTER-HYDRAULIC 5" 10 MICRON	1
18	55718	FTG-PLUG: 8MB	1
19	58197	CAP-FILLER	1
20	301196	PIPE-BUSHING: 20MP-12FP	2
21	59044	FTG-ELBOW: 12MP-12MJ 90	2
22	66249	FTG-ADAPTER: 12MB-12FJX	1
23	300178	HOSE: 1.50 X 058 24FJX-24FJX(200PSI)	1
24	64061	FTG-ELBOW: 16MB-12MJ-90	1
25	300212	FTG-ELBOW: 24MB-24MJ-45	1
26	300177	HOSE: .75 X 074 12FJX-12FJX	1
27	62964	DECAL-WARNING	1
28	64428	DECAL-HYD TANK SPECS	1
29	64429	DECAL-WARNING BALL VALVE	1
30	301250	PUMP-HYDRAULIC 6.30 (3500 PSI)	1
	301257	SEAL KIT FOR 301250	
31	1011623	BOLT-HEX: .63 X 2.00 NC GR5 ZP	2
32	1011813	WASHER-LOCK: .63 ZP	2



## 12 ROW WHEEL HYDRAULICS

ITEM	PART NO.	DESCRIPTION	QTY
1	55718	FTG-PLUG: 8MP	1
2	58079	HYDRAULIC TANK-PAINTED	1
3	58196	FTG-ADAPTER: 12MP-12MP	1
4	58197	CAP-FILLER	1
5	58466	FTG-ADAPTER: 12MP-8MP	1
6	58914	GAUGE-LEVEL & TEMP	1
7	58978	FTG-ADAPTER: 20MP-20MP	1
8	58979	VALVE-BALL: 20FP-20FP	1
9	58982	FTG-ADAPTER: 16MB-12MJ	2
10	58986	FTG-TEE: 12MJ-12MJ-12MJ	2
11	59034	HOSE: .75 X 030 12FJX-12FJX	1
12	59041	FTG-ELBOW: 12MJ-12FJX-90	9
13	59043	FTG-ADAPTER: 10MB-12MJ	2
14	59044	FTG-ELBOW: 12MP-12MJ-90	2
15	59053	FTG-TEE: 12MJ-12MJ-12FJX	1
16	59165	VALVE-BALL 3/4FP - 3/4FP	2
17	59888	FTG-TEE: 12MJ-12FJX-12MJ	3
18	63471	ASSY-TUBE LINE .75 X 5.25 0-0	1
19	63473	HOSE: .75 X 019 12FJX-12FJX	1
20	63699	FTG-ELBOW: 12MB-12MJ-45	1
21	64061	FTG-ELBOW: 16MB-12MJ-90	1
22	65918	FTG-ADAPTER: 12MB-12MJ	7
23	66249	FTG-ADAPTER: 12MB-12FJX	2
24	68179	VALVE-CHECK: 12MJ-12MJ	1
25	68437	HOSE: .50 X 014 12FJX-12FJX	2
26	58196	FTG-ADPT: 12MP-12MP	1
27	300171	HOSE: .75 X 420 12FJX-12FJX	1
28	300172	HOSE: .75 X 103 12FJX-12FJX	1
29	301255	COOLER-AIR/HYD OIL	1
30	300174	HOSE: .75 X 402 12FJX-12FJX	1
31	301266	VALVE-FLOW CONTROL-12FB	2
32	300176	HOSE: .75 X 243 12FJX-12FJX	2
33	300177	HOSE: .75 X 074 12FJX-12FJX	1
34	300178	HOSE: 1.50 X 058 24FJX-24FJX(200PSI)	1
35	300211	FTG-ADAPTER: 20MP-24MJ	1
36	300212	FTG-ELBOW: 24MB-24MJ-45	1
37	300245	FTG-ADAPTER: 4MB-6MJ	1
38	300246	FTG-ADAPTER: 12FJ-6MJ	1
39	300247	HOSE: .38 X 420 6FJX-6FJX	1
40	301173	FTG-ADAPTER: 12MJ-12FJX W/4FB	1

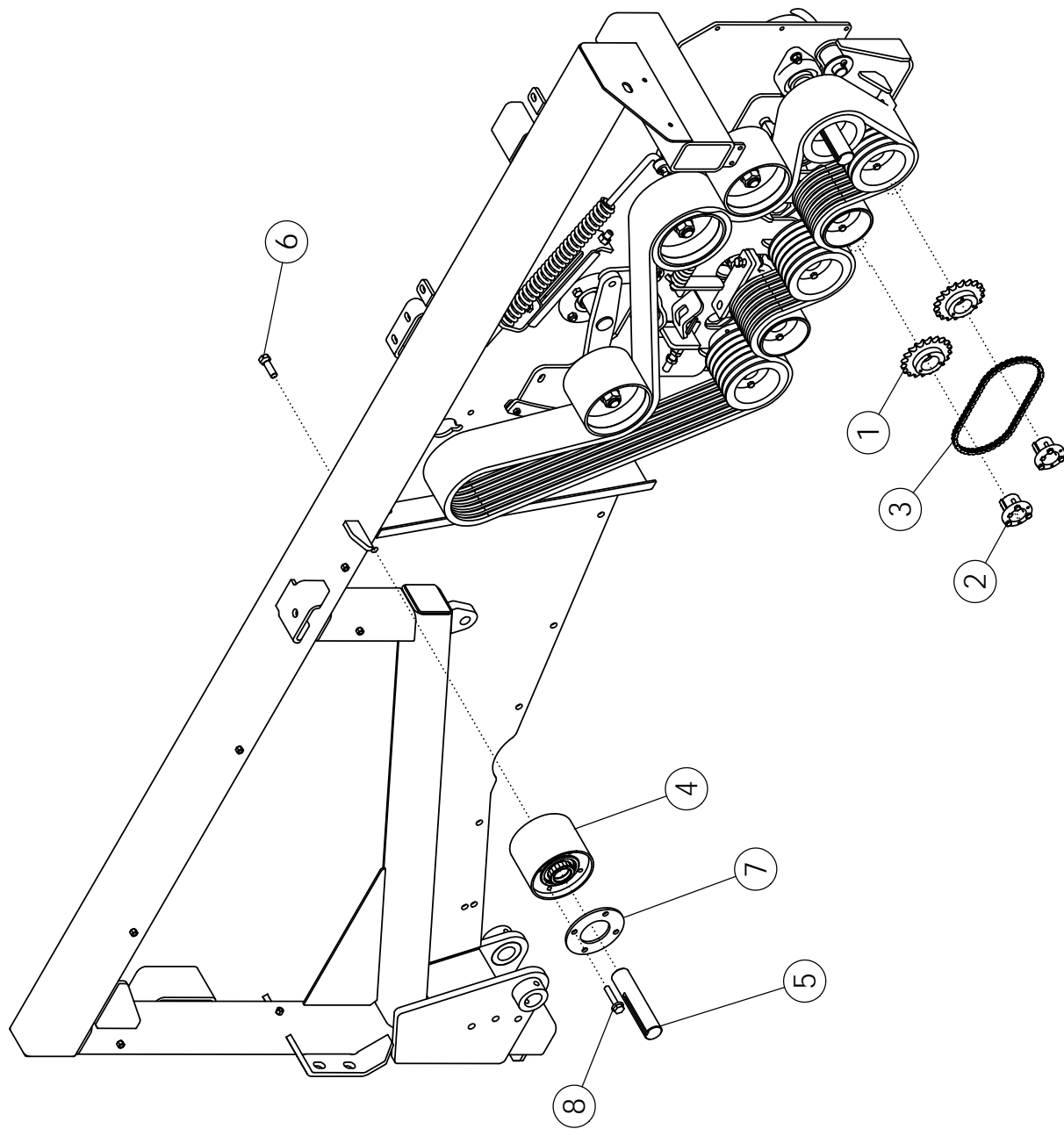
CONTINUED





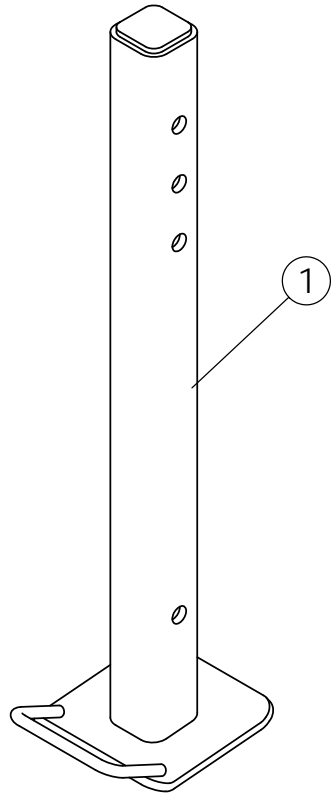
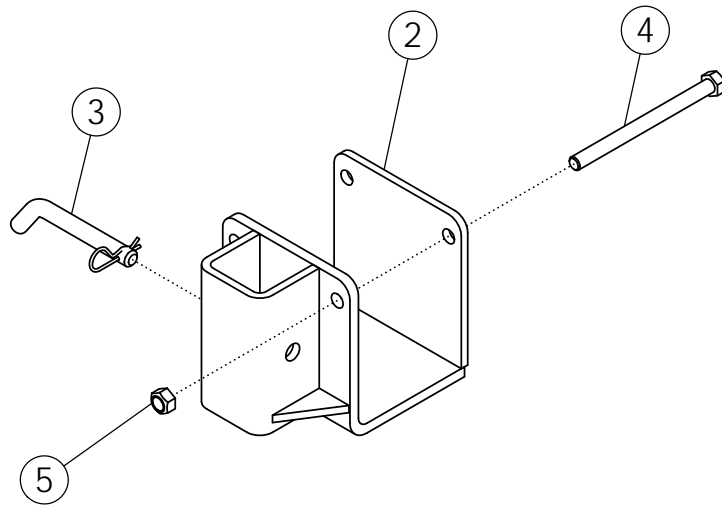
## 12 ROW WHEEL HYDRAULICS (CONTINUED)

ITEM	PART NO.	DESCRIPTION	QTY
41	301175	GAUGE-PRESSURE: 1/4" MB 3000PSI	1
42	301187	PLATE-FLOW CONTROL/COOLER MOUNT	1
43	301196	PIPE-BUSHING: 20MP-12FP	2
44	301250	PUMP-HYDRAULIC 6.30 (3500 PSI)	1
45	301251	VALVE-RELIEF 2800PSI	1
46	301252	FILTER-ASSEMBLY 5"	1
47	59449	MOTOR-HYDRAULIC 20.0IN <sup>3</sup> /REV	1
	57881	SEAL KIT FOR 59449	
48	300143	MOTOR-HYDRAULIC 24IN <sup>3</sup> /REV	1
	301041	SEAL KIT FOR 300143	



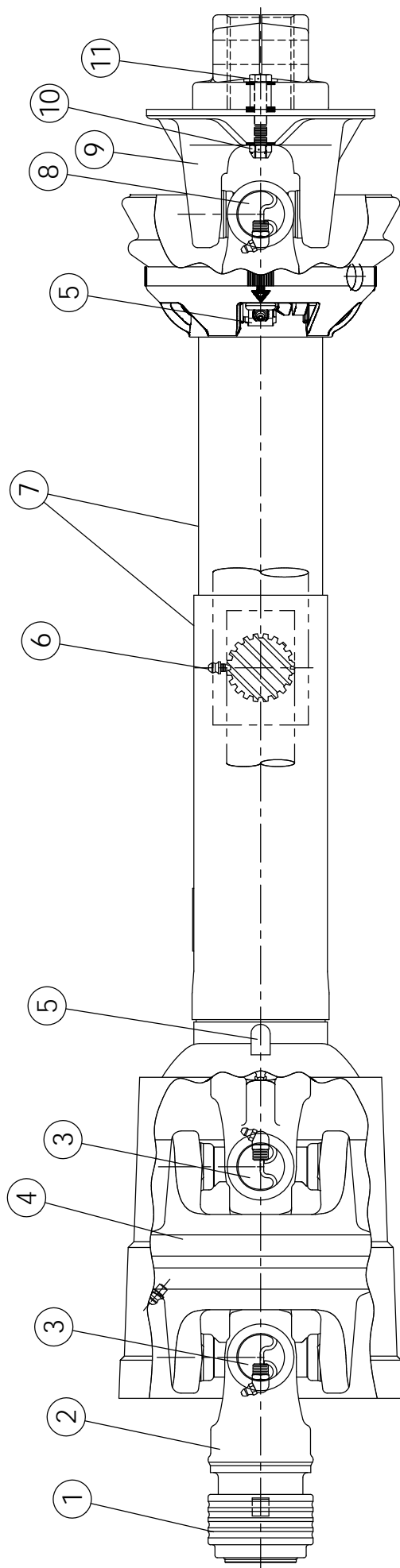
## REVERSE #4 CLEANING ROLL #62107 (OPTIONAL)

ITEM	PART NO.	DESCRIPTION	QTY
1	53649	SPROCKET H60-P20	2
2	53641	HUB P1 1.75 (WITH KEY)	2
3	62110	CHAIN-ROLLER 60H-1R-045	1
4	301821	ASSY-REVERSE PULLEY 6R W/LOCK COLLAR	1
5	62108	SHAFT-STUB REVERSE #4	1
6	1013918	BOLT-HEX: .63 X 1.75 NC GR5 ZP	1
7	301718	PLATE-REVERSE GRABROLL COVER	1
8	301851	BOLT-FLG: .50 X 2.50 NC GR5 ZP LOCK	4



## HARVESTER STAND #63397 (OPTIONAL)

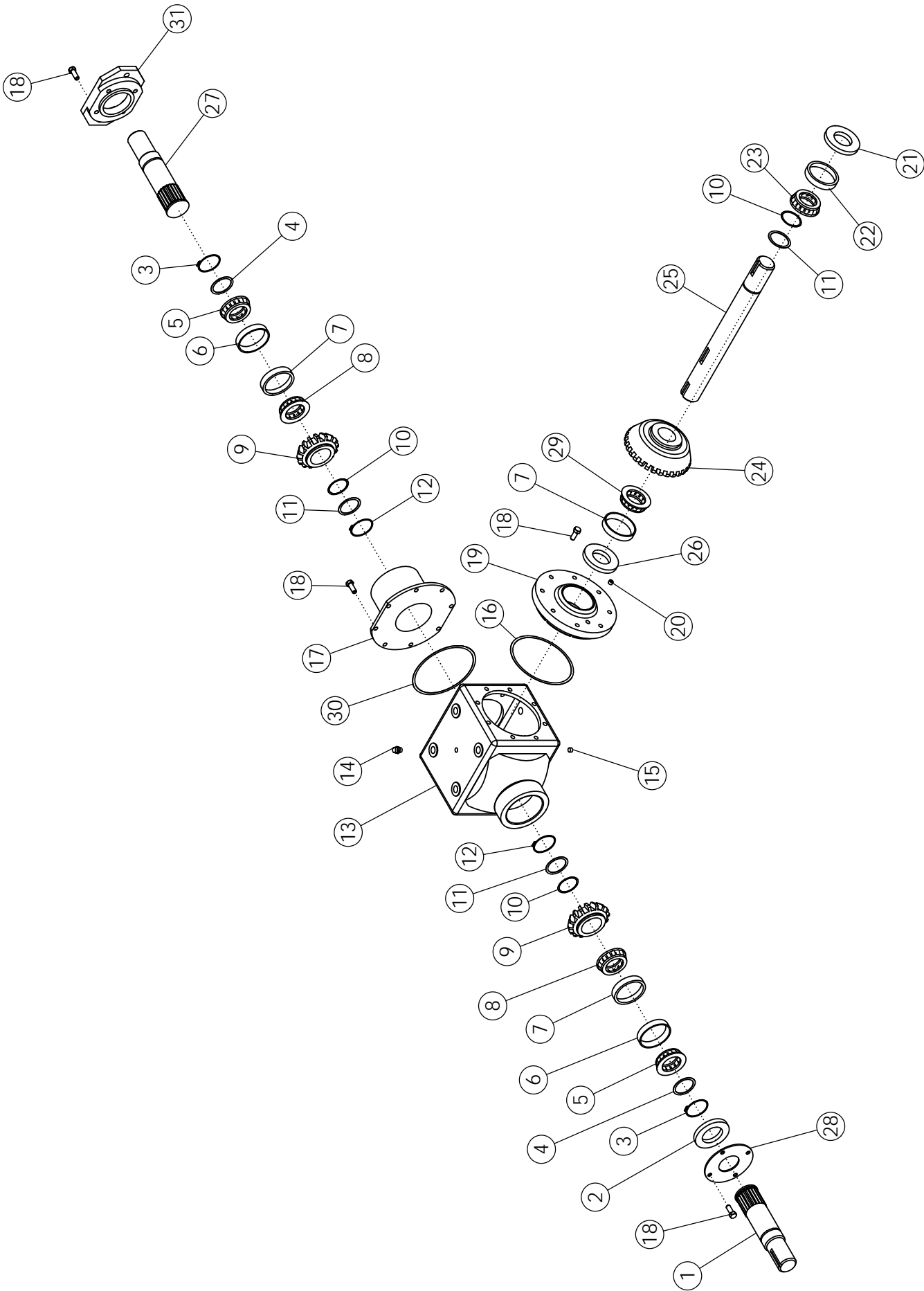
ITEM	PART NO.	DESCRIPTION	QTY
1	63382	WLDMT-STAND SUPPORT	1
2	63377	WLDMT-STAND MOUNT	1
3	63407	PIN-BENT	1
4	1018957	BOLT-HEX: .63 X 8.00 NC GR5 ZP	2
5	1016595	NUT-TOPLOCK: .63 NC GR5 ZP	2



# PTO CV DRIVELINE #301558

## 1.75" - 20 SPLINE

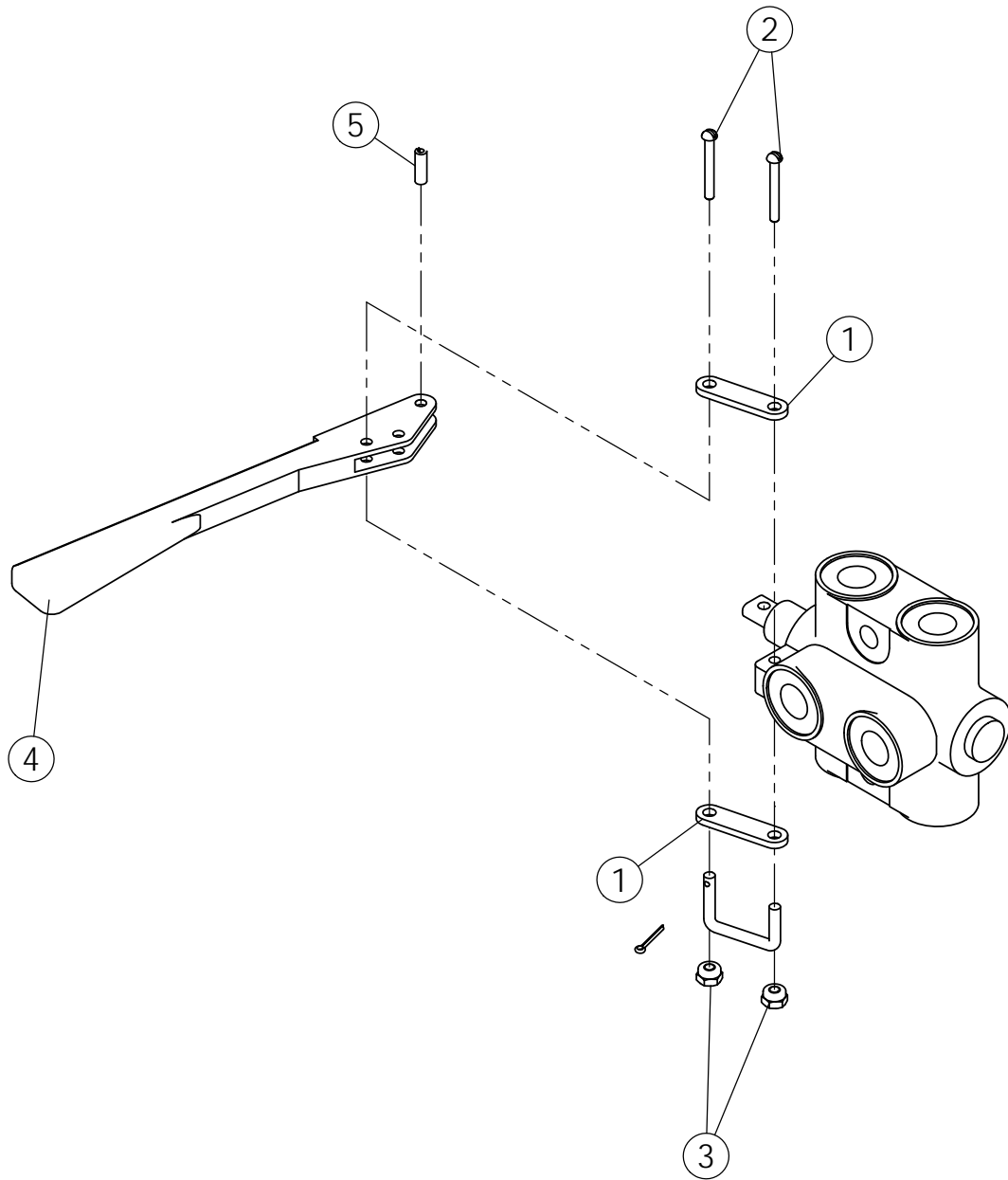
ITEM	PART NO.	DESCRIPTION	QTY
1	62123	KT-SAFETY SLIDE LOCK REPAIR 1.750"	1
2	305902	YOKE ASSY-SAFETY SLIDE LOCK 1.750" CAT 6 CV	1
3	301841	KT-CROSS & BEARING CAT 6	2
4	305904	HOUSING-CV CENTER ASSY CAT 6	1
5	64398	KT-NYLON REPAIR UNIVERSAL	2
6	54161	ZERK-DRIVE LUBE FTG (PRESSED IN)	4
7	301559	GUARD SET-CV PTO HRV MAX 90" EXT.	1
8	54172	KT-CROSS & BEARING 35E SERIES	1
9	57286	ASSY-BALL SHEAR HRV	1
10	1030700	NUT-TOPLOCK: .31 NC GR5 ZP	1
11	1011285	BOLT-HEX: .31 X 2.00 NC GR5 ZP	1





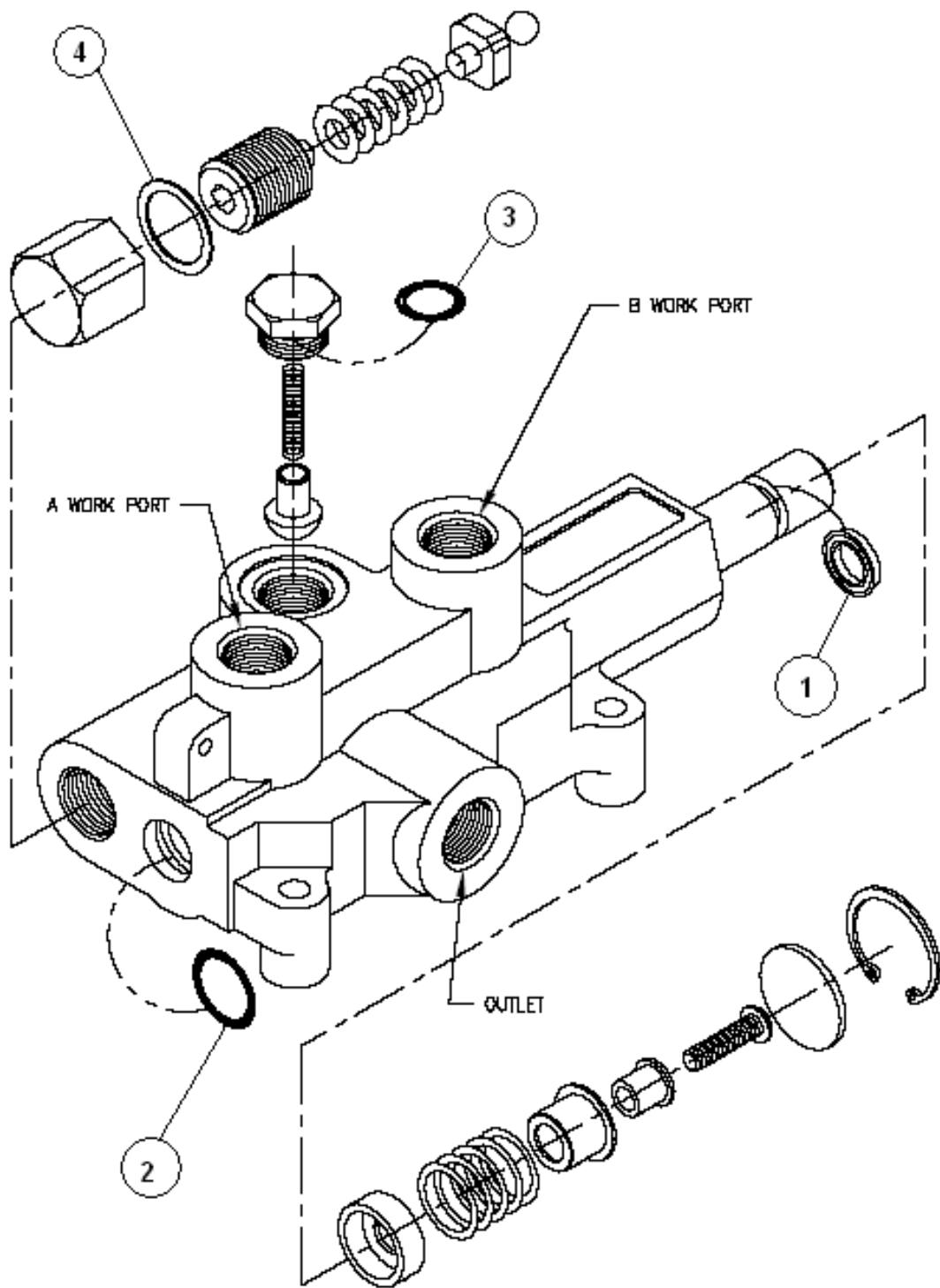
## GEARBOX (1.82:1) #300142 - 4 WAY

ITEM	PART NO.	DESCRIPTION	QTY
1	69203	QUILL SHAFT	1
2	62744	SEAL: Ø1.75 X .313	1
3	69218	SNAP RING	2
4	69219	WASHER	2
5	69220	BEARING CONE	2
6	69221	BEARING CUP	2
7	69222	BEARING CUP	3
8	69223	BEARING CONE	2
9	69224	GEAR - 17T	2
10	69225	SHIM	3
11	68598	WASHER	3
12	62724	SNAP RING	2
13	69202	CASE-1000 SERIES	1
14	64408	VENT PLUG: .50 NPT (SQ. HD.)	1
15	62735	PLUG: .50 NPT	1
16	62736	SHIM-COVER	1
17	301182	QUILL HOUSING	1
18	1011600	BOLT-HEX: .38 X 1.00 NC GR5 ZP	24
19	69234	COVER	1
20	69227	PLUG: .25 NPT	1
21	62722	SEAL: Ø2.00 X 3.263	1
22	62727	BEARING CUP	1
23	62728	BEARING CONE	1
24	69228	GEAR - 31T	1
25	69229	THRU SHAFT	1
26	69230	SEAL-OIL	1
27	301183	QUILL SHAFT	1
28	69217	COVER	1
29	69232	BEARING CONE	1
30	69233	GASKET	1
31	301184	FLANGE SAE 'C'- 2	1



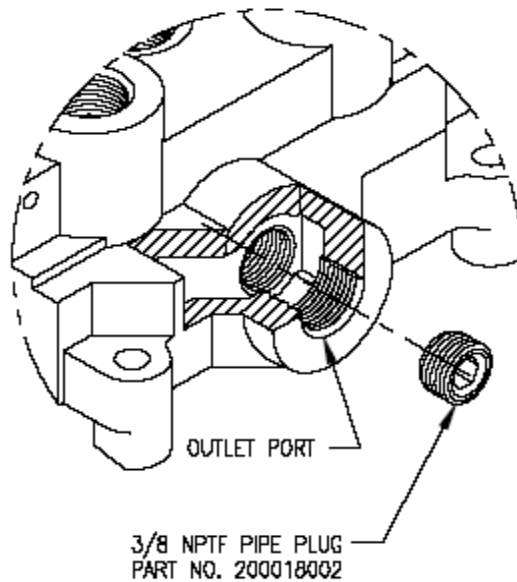
# SELECTOR VALVE #58470

ITEM	PART NO.	DESCRIPTION	QTY
	64432	QUAD RING SEAL KIT	2
	58470-1	HANDLE KIT	1
1	68060	PLATE-TAB SELECTOR VALVE ZP	2
2	1011303	SCREW-MACH RND SLT: #10-24 X 1.25	2
3	65712	NUT-NYLOCK: 10-24 GR2 SS	2
4		HANDLE	1
5		SPRING PIN	1



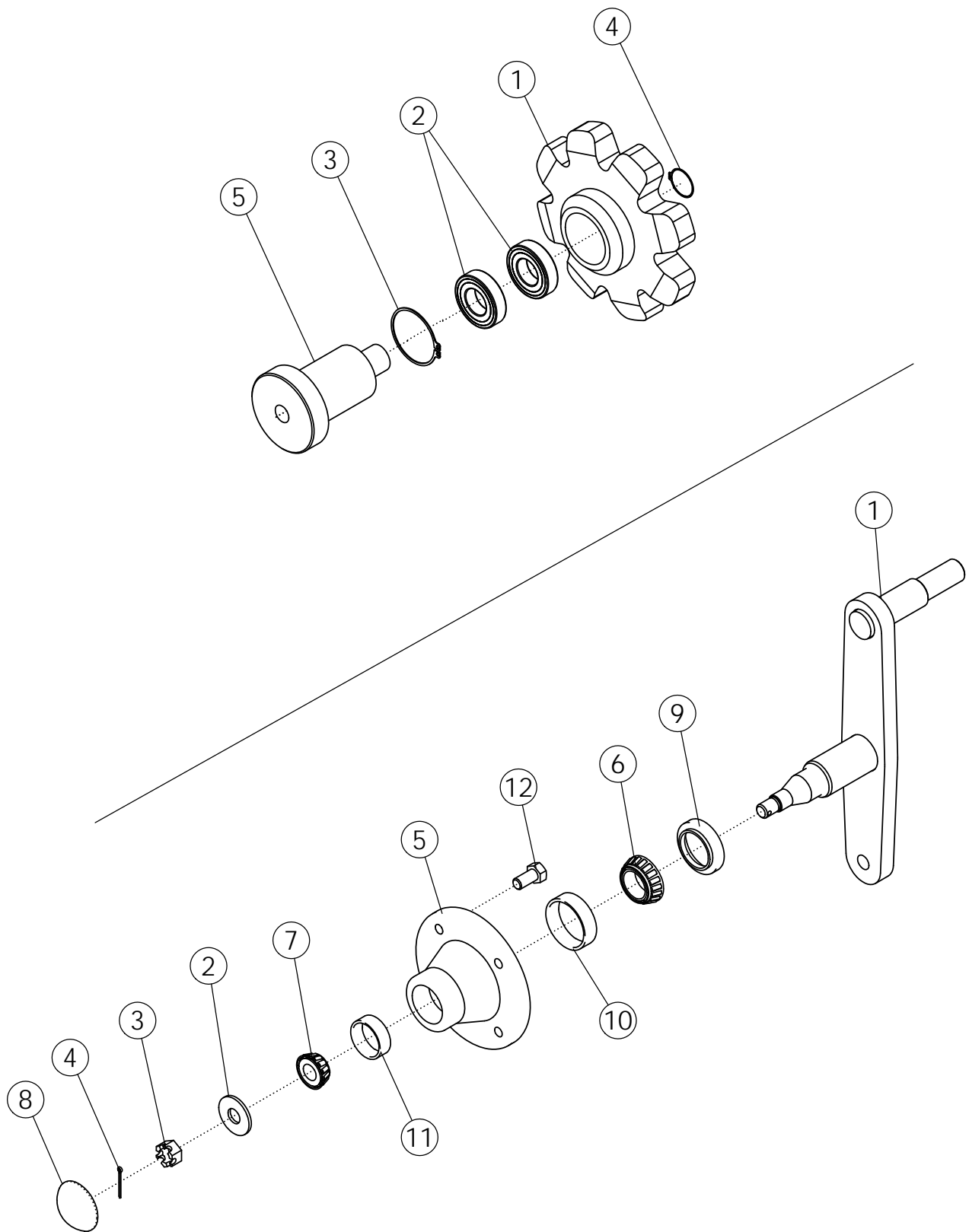
# ROW FINDER VALVE #301150

ITEM	PART NO.	DESCRIPTION	QTY
	<b>62757</b>	<b>SEAL KIT</b>	
1		U-CUP	1
2		O-RING	1
3		O-RING	1
4		ALUMINUM WASHER	1



## OPEN CENTER TO CLOSED CENTER CONVERSION

THIS FEATURE ALLOWS AN OTHERWISE OPEN CENTER VALVE TO BE CONVERTED TO CLOSED CENTER OPERATION. AS SHOWN ABOVE, A 3/8 NPTF PIPE PLUG IS INSTALLED IN THE BOTTOM OF THE OUTLET PORT TO BLOCK OPEN CENTER PASSAGE. A PIPE THREAD SEALANT SHOULD BE USED. THIS FEATURE IS STANDARD ON ALL VALVES WITH 3/4 NPTF INLET AND OUTLET PORTS. THE PIPE PLUG IS INCLUDED WITH THESE MODELS. DISCARD THE PIPE PLUG IF THE VALVE IS USED ON AN OPEN CENTER APPLICATION.



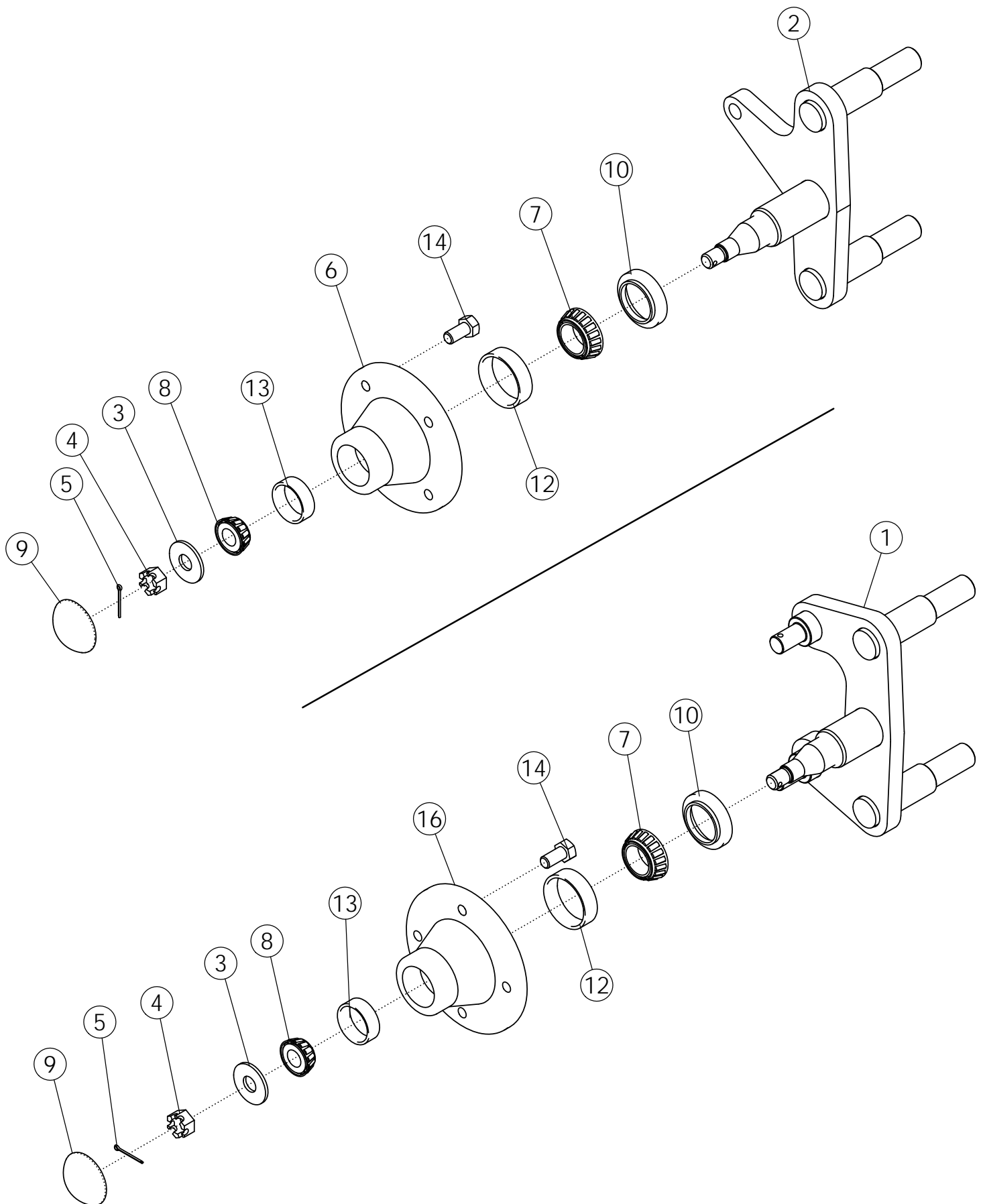
## SPROCKET #54824

ITEM	PART NO.	DESCRIPTION	QTY
1	56893	SPROCKET 56MM 8T	1
2	54108	BEARING-ROLLER	2
3	54151	SNAP RING SR11	1
4	54154	SNAP RING SR3	1
5	56892	STUB SHAFT	1

## BELT TIGHTENER #72749

ITEM	PART NO.	DESCRIPTION	QTY
1	72748	WLDMT-REAR IDLER	1
2	1013623	BUSHING-MACH .63 NP	2
3	1013625	NUT-SLOTTED .63 NF GR5 ZP	1
4	1013626	PIN-COTTER: .16 X 1.25 ZP	1
5	1017103*	1017103	1
6	52245*	CONE BEARING	1
7	1013620*	CONE BEARING	1
8	1013622*	HUB CAP	1
9	1029527*	SEAL	1
10	1012360	CUP-BEARING: LM67010	1
11	1013268	CUP-BEARING LM11910	1
12	54646	1025393 LUG BOLT .5 X 1.0	4
13	56951	ASSY HUB	1

\* Items are included in item 13

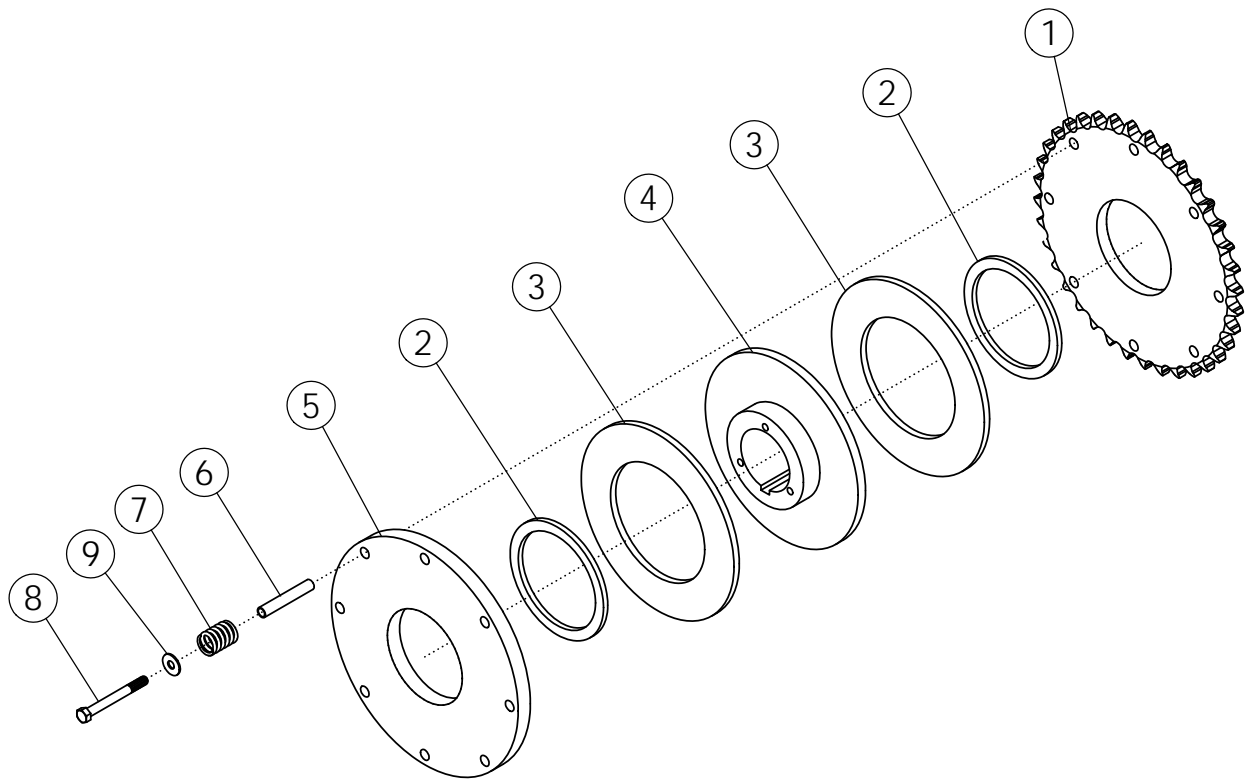




## BELT TIGHTENER #72058 & 72753

ITEM	PART NO.	DESCRIPTION	QTY
1	72059	WLDMT-SPINDLE	1
2	72752	WLDMT-SPINDLE	1
3	1013623	BUSHING-MACH .63 NP	1
4	1013625	NUT-SLOTTED .63 NF GR5 ZP	1
5	1013626	PIN-COTTER: .16 X 1.25 ZP	1
6	1017103*	HUB	1
7	52245*	CONE BEARING	1
8	1013620*	CONE BEARING	1
9	1013622*	HUB CAP	1
10	1029527*	SEAL	1
11	56951	ASSY HUB	1
12	1012360*	CUP-BEARING: LM67010	1
13	1013268*	CUP-BEARING LM11910	1
14	54646*	1025393 LUG BOLT .5 X 1.0	4

\* Items are included in item 11



## SLIP CLUTCH/SPOCKET #72030

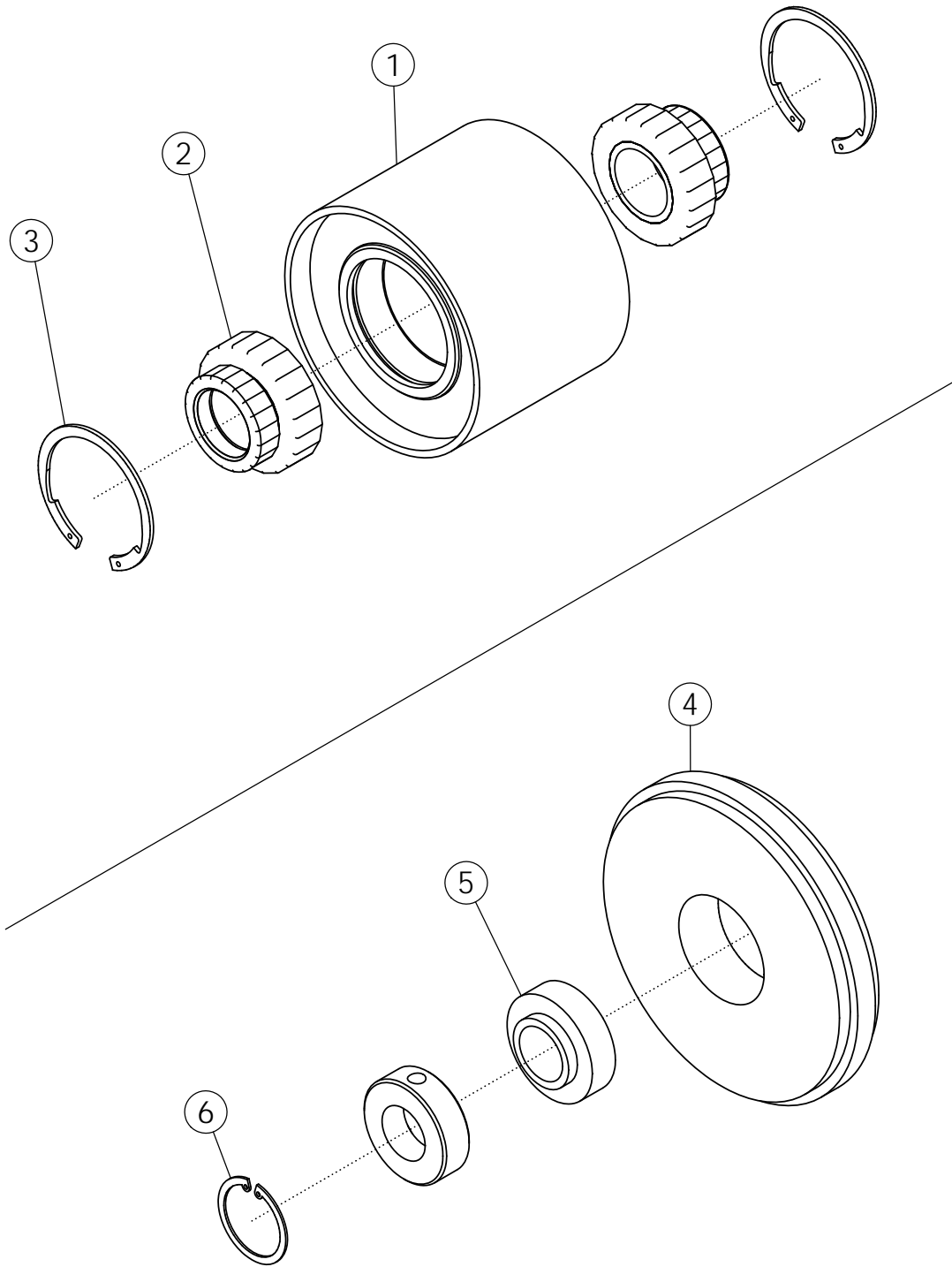
ITEM	PART NO.	DESCRIPTION	QTY
1	72986	SPROCKET	1
2	58208	BUSHING-BRONZE	2
3	58216	DISC-FIBER	2
4	58210	HUB-CLUTCH	1
5	58212	PLATE-SLIP CLUTCH	1
6	301701	TUBE-SLIP CLUTCH (2.38)	6
7	58174	SPRING-SLIP CLUTCH	6
8	1013239	BOLT-HEX: .38 X 3.00 NC GR5 ZP	6
9	1011828	WASHER-FLAT: .38 ZP	6

## SLIP CLUTCH/SPOCKET #58335

ITEM	PART NO.	DESCRIPTION	QTY
1	58566	SPROCKET	1
2	58208	BUSHING-BRONZE	2
3	58216	DISC-FIBER	2
4	58210	HUB-CLUTCH	1
5	58212	PLATE-SLIP CLUTCH	1
6	301701	TUBE-SLIP CLUTCH (2.38)	6
7	58174	SPRING-SLIP CLUTCH	6
8	1013239	BOLT-HEX: .38 X 3.00 NC GR5 ZP	6
9	1011828	WASHER-FLAT: .38 ZP	6

## SLIP CLUTCH/SPOCKET #57993

ITEM	PART NO.	DESCRIPTION	QTY
1	58177	SPROCKET	1
2	58207	BUSHING-BRONZE	2
3	58215	DISC-FIBER	2
4	58209	HUB-CLUTCH	1
5	58211	PLATE-SLIP CLUTCH	1
6	58213	TUBE-SLIP CLUTCH (2.870")	8
7	58174	SPRING-SLIP CLUTCH	8
8	58176	BOLT-HEX: .38 X 3.50 NC GR5 ZP	8
9	1011828	WASHER-FLAT: .38 ZP	8



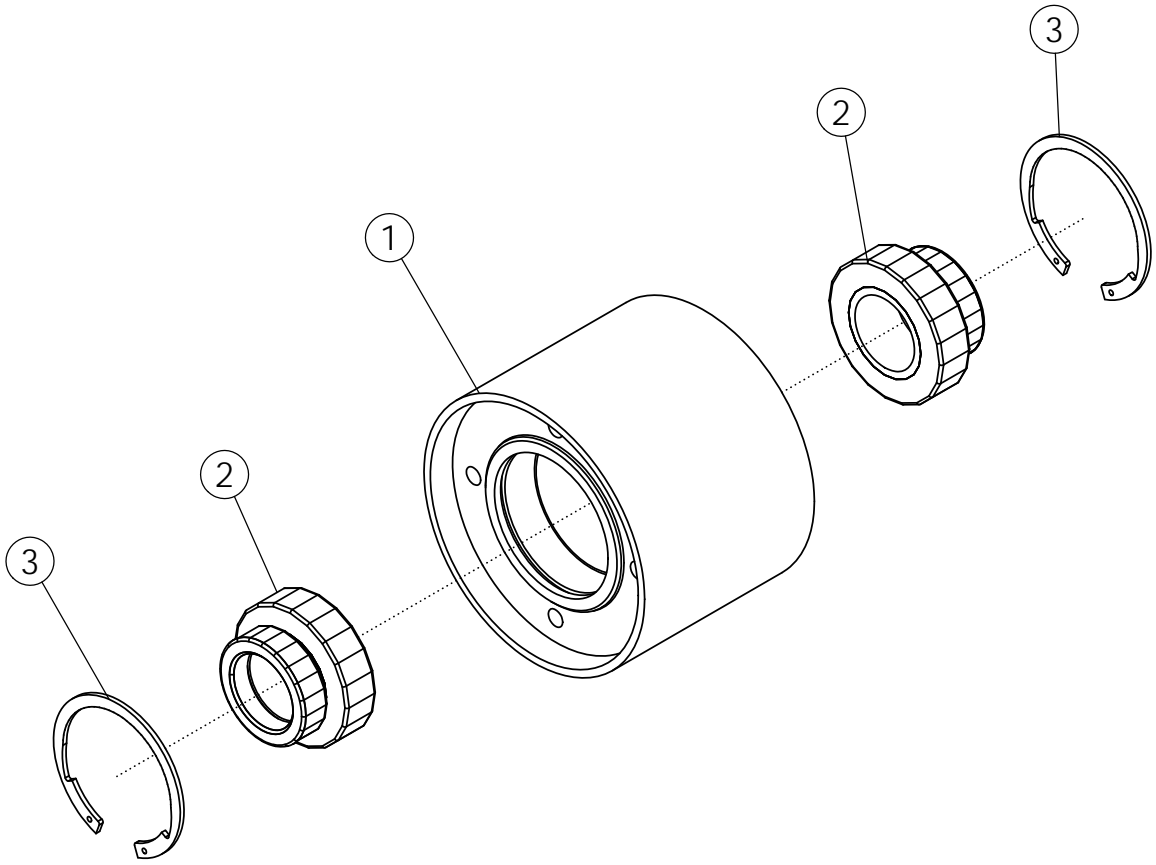
## IDLER PULLEY #56406

ITEM	PART NO.	DESCRIPTION	QTY
1	56405	WLDMT-PULLEY	1
2	56399	BALL BEARING 1.75	2
3	56400	RETAINING RING	2

## SPROCKET IDLER #56851

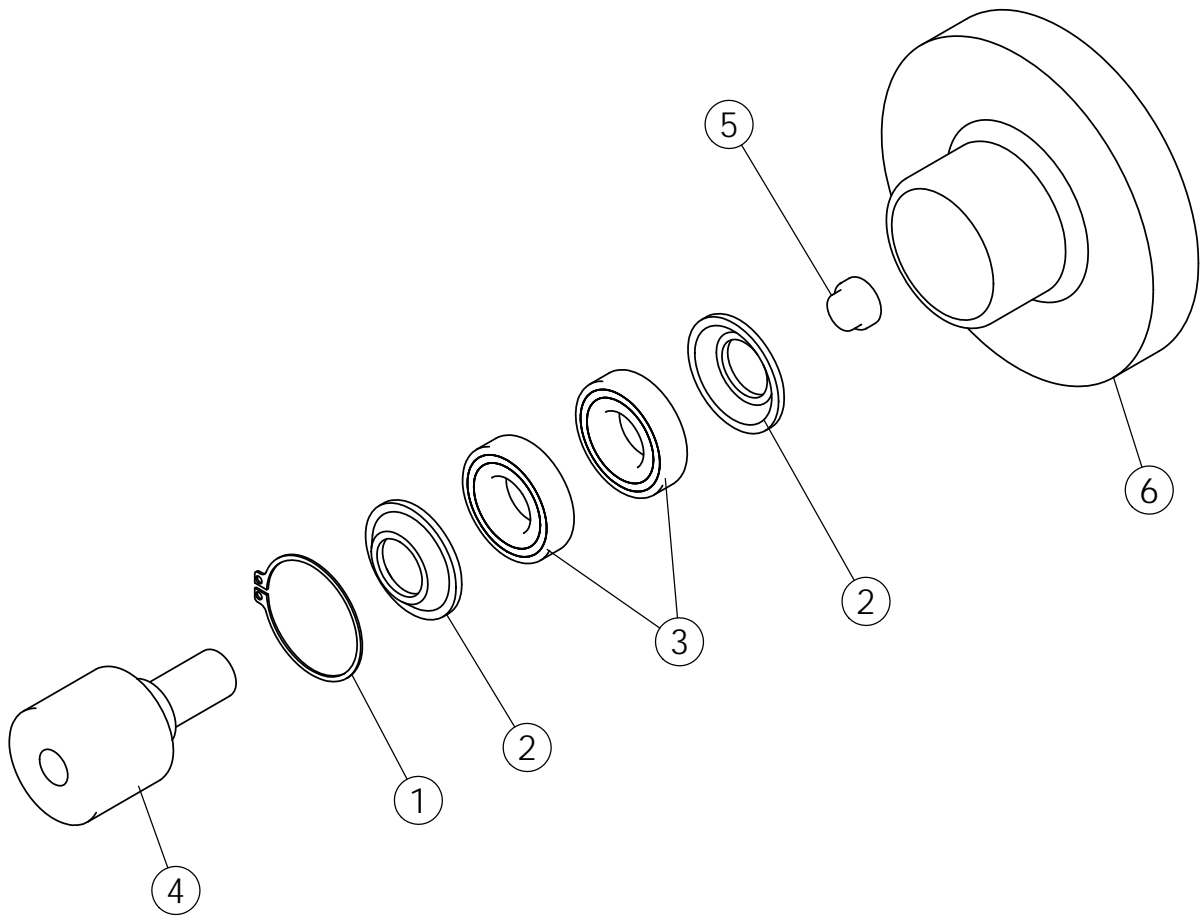
ITEM	PART NO.	DESCRIPTION	QTY
4	56851	IDLEMASTER 8.50 X 1.44	1
5	58806*	BEARING-IDLER	1
6	58805*	SNAP-RING	1

\* COMES WITH ITEM 4



# REVERSE PULLEY #301821

ITEM	PART NO.	DESCRIPTION	QTY
1	301847	WLDMT-REVERSE PULLEY	1
2	56399	BALL-INSERT 1-3/4"	2
3	56400	RETAINING RING	2



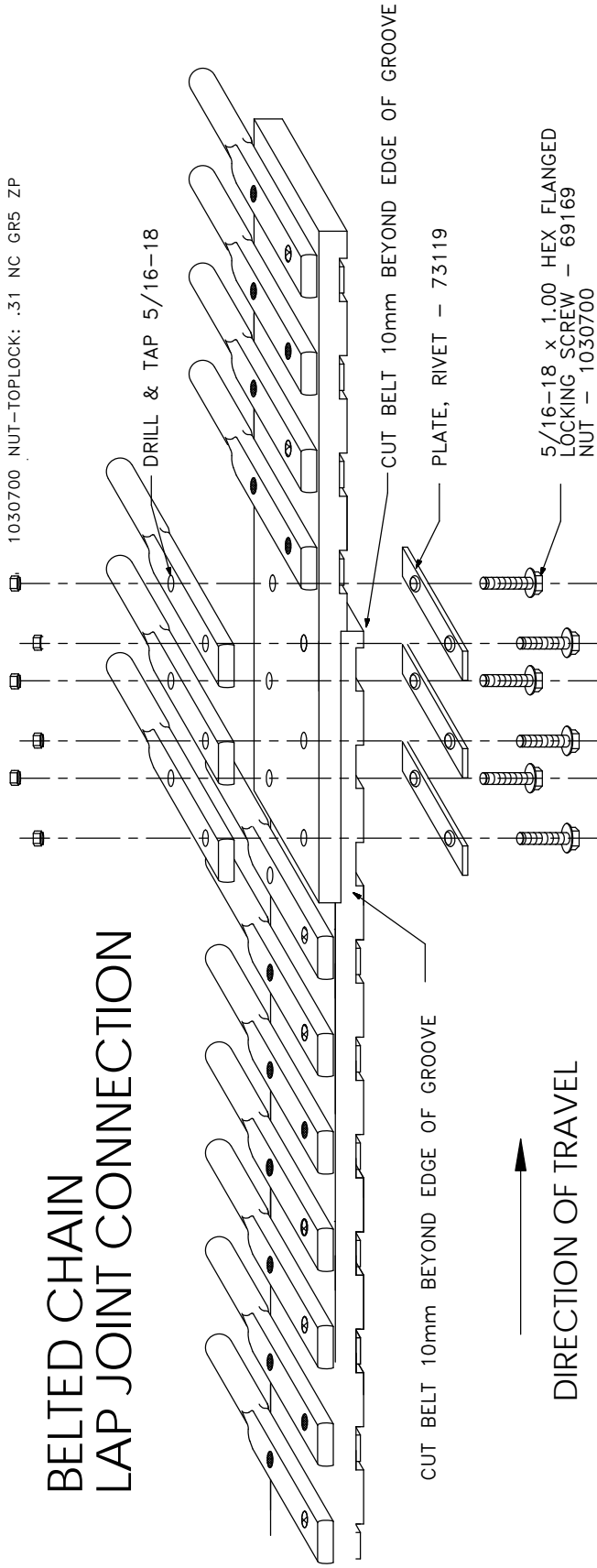


## ROLLER - #54042

ITEM	PART NO.	DESCRIPTION	QTY
1	54151	SNAP RING SR11	1
2	54152	WASHER	2
3	54108	BEARING 2"	2
4	56885	STUB SHAFT LONG	1
5	62702	STUB SHAFT SHORT	1
6	54042*	ROLLER-STEP 6"	1

\* COMES WITH ITEMS 1-5

# BELTED CHAIN LAP JOINT CONNECTION



WARNING : ENSURE THAT SCREWS ARE SUFFICIENTLY TIGHT TO PRODUCE A BULGE AT THE EDGE OF THE BELT OF BETWEEN 1 AND 2mm (SEE DIAGRAM). FAILURE TO DO SO MAY CAUSE PREMATURE FAILURE AND VOID YOUR WARRANTY

.50 Ø RODS DRILL & TAP .313-18

STANDARD CHAIN

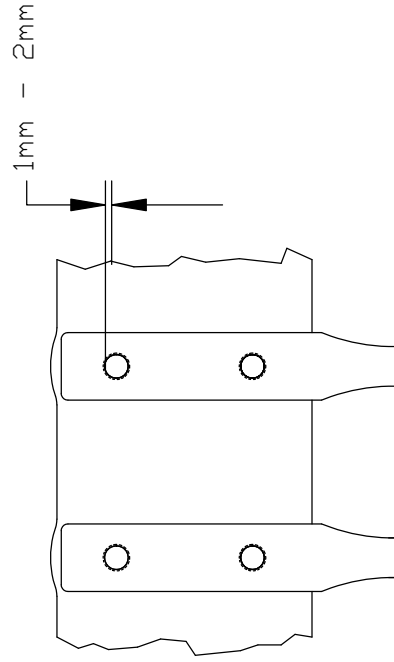
73122 STRAIGHT - ELEVATOR CHAIN

73123 UP - ELEVATOR CHAIN

69336 FLAT - ELEVATOR CHAIN

73163 STRAIGHT - JUMP CHAIN

73313 DOWN - JUMP CHAIN



DOUBLE CHAIN (ELEVATOR CHAIN)

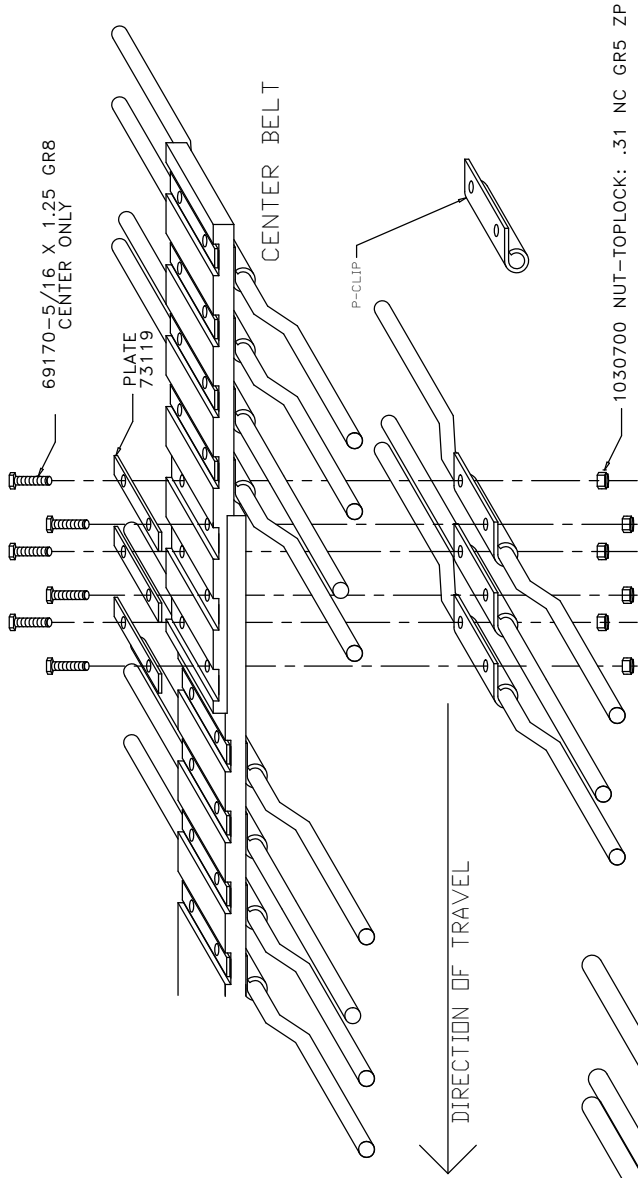
301528 - STRAIGHT

301527 - UP

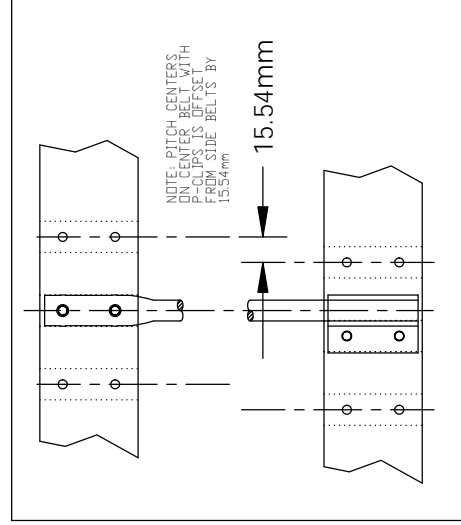
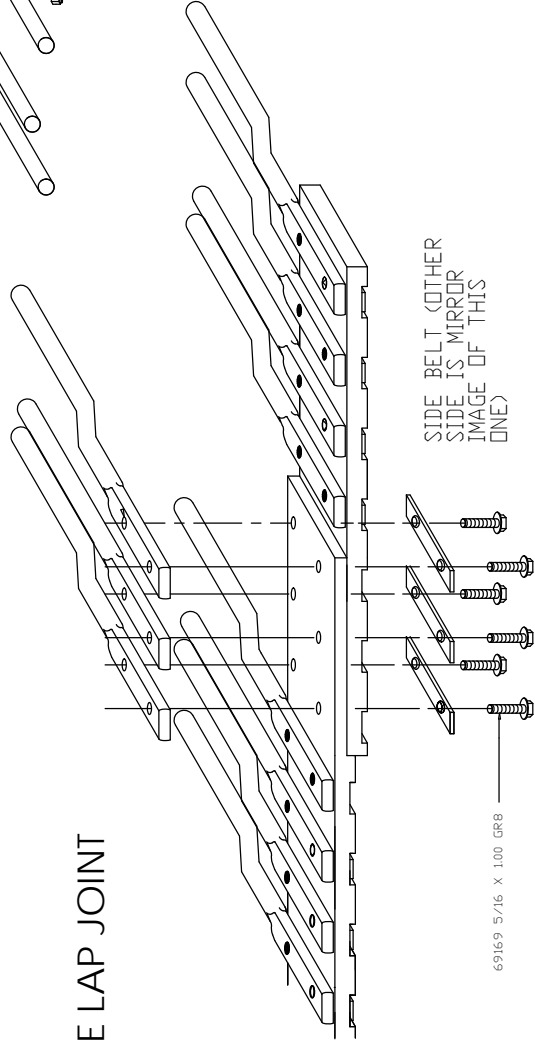
301526 - FLAT

# 3 BELT SCRUB CHAIN - LAP JOINT

## CENTER LAP JOINT

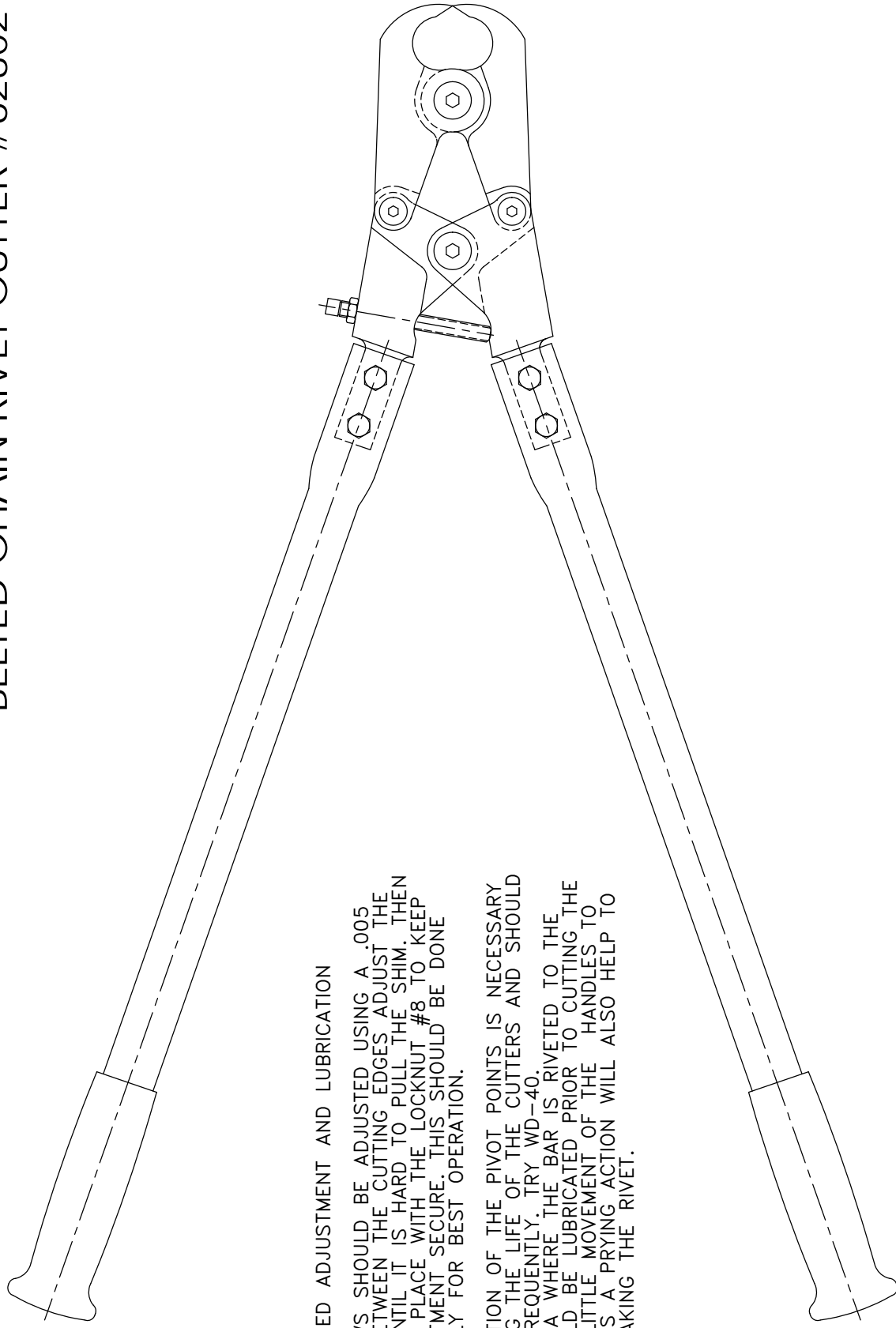


## SIDE LAP JOINT



- 73117 - ROD-BC 1/2 X 64 STRAIGHT 3BELT
- 73118 - ROD-BC 1/2 X 64 DOWN 3BELT

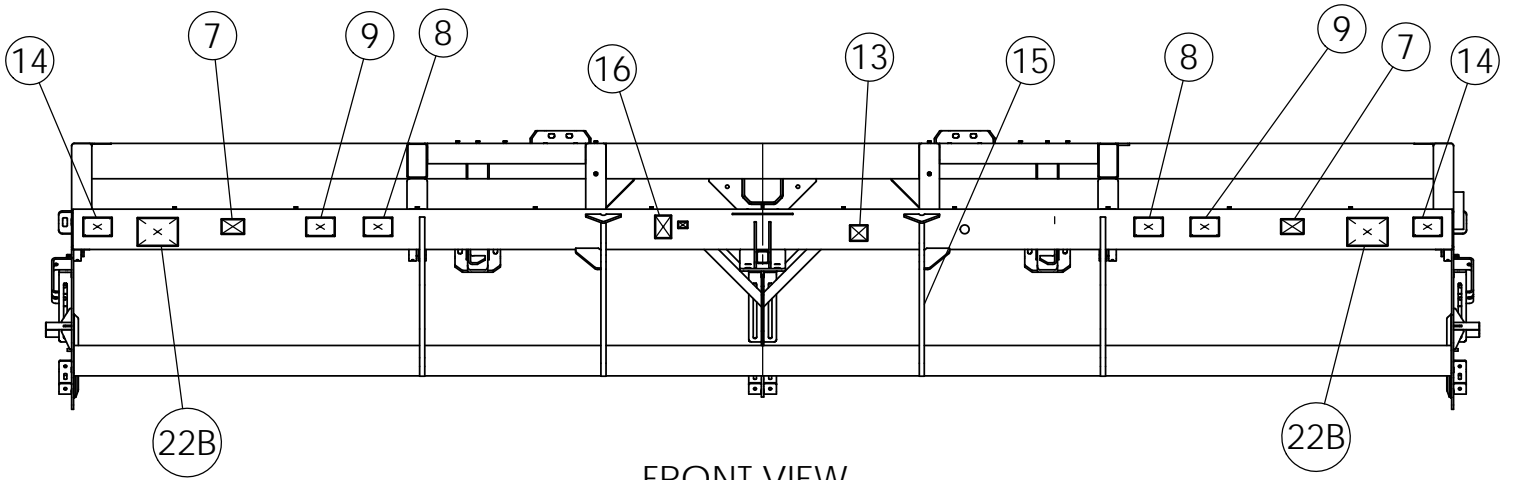
# BELTED CHAIN RIVET CUTTER #62802



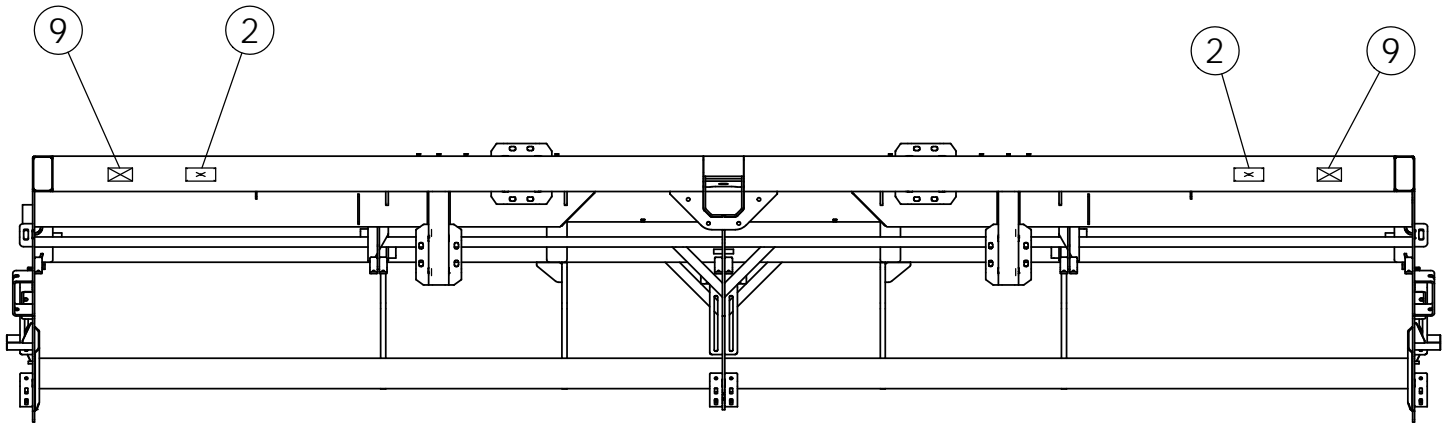
## RECOMMENDED ADJUSTMENT AND LUBRICATION

1. THE JAWS SHOULD BE ADJUSTED USING A .005 IN. SHIM BETWEEN THE CUTTING EDGES. ADJUST THE BOLT #7 UNTIL IT IS HARD TO PULL THE SHIM. THEN LOCK IT IN PLACE WITH THE LOCKNUT #8 TO KEEP THE ADJUSTMENT SECURE. THIS SHOULD BE DONE PERIODICALLY FOR BEST OPERATION.
2. LUBRICATION OF THE PIVOT POINTS IS NECESSARY TO PROLONG THE LIFE OF THE CUTTERS AND SHOULD BE DONE FREQUENTLY. TRY WD-40.
3. THE AREA WHERE THE BAR IS RIVETED TO THE BELT SHOULD BE LUBRICATED PRIOR TO CUTTING THE RIVETS. A LITTLE MOVEMENT OF THE HANDLES TO THE SIDE AS A PRYING ACTION WILL ALSO HELP TO FINISH BREAKING THE RIVET.

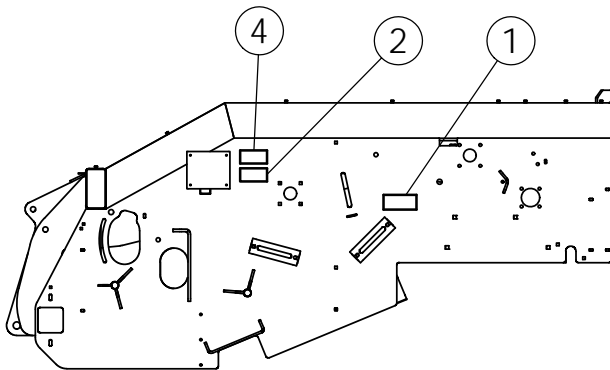
**THIS PAGE  
INTENTIONALLY  
LEFT BLANK**



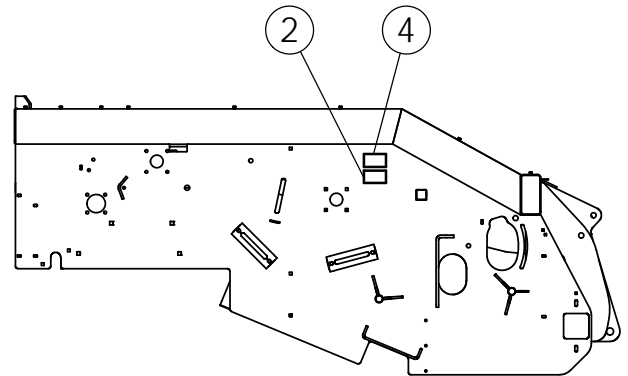
FRONT VIEW



REAR VIEW



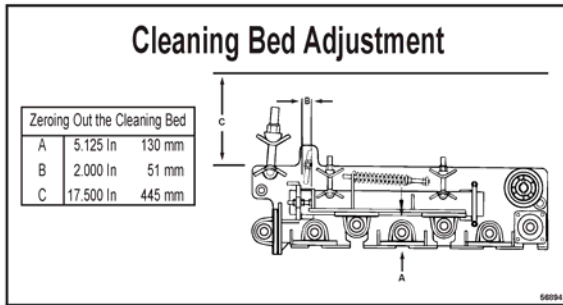
LEFT SIDE  
UNDER DOOR



RIGHT SIDE  
UNDER DOOR

# DECALS

1 56894 QTY 2



2 53747 QTY 4



3 53746 QTY 1



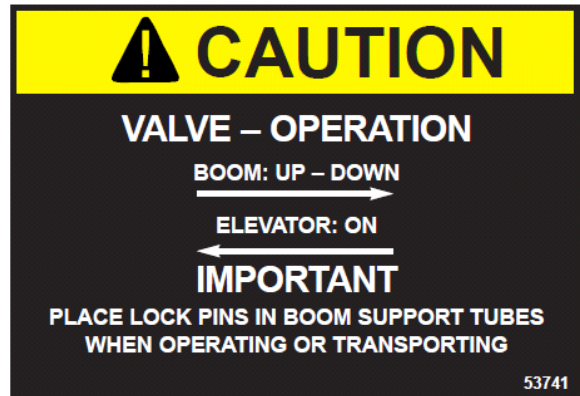
4 52341 QTY 5



5 53740 QTY 1



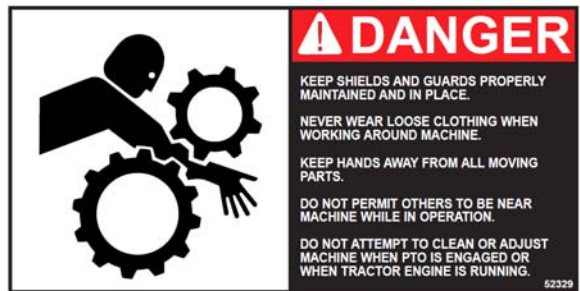
6 53741 QTY 1



7 52334 QTY 2



8 52329 QTY 2



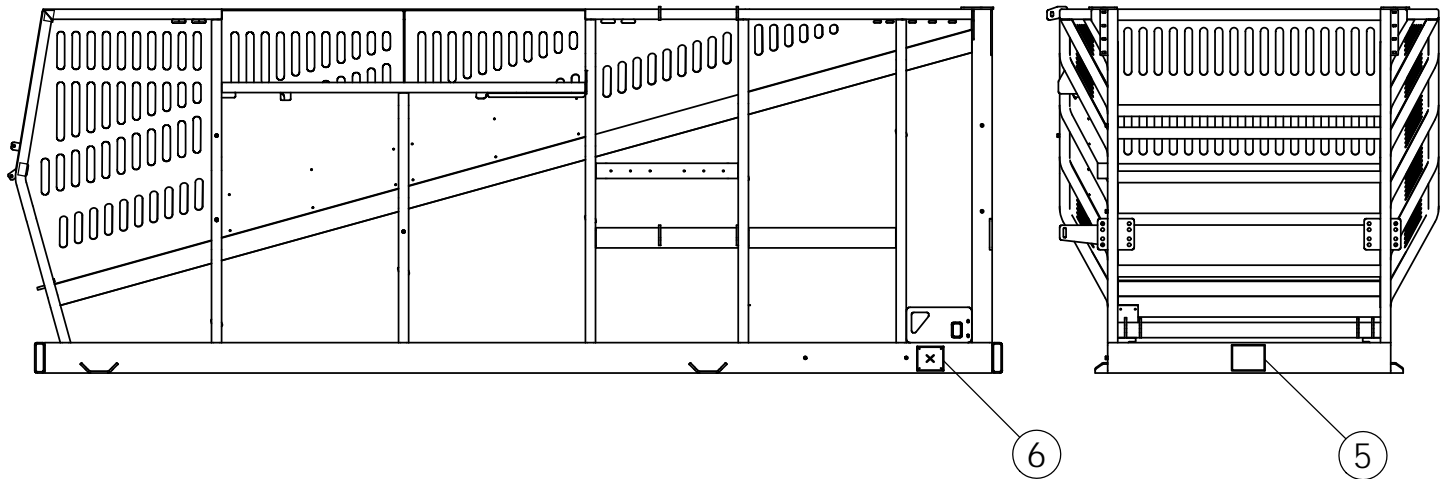
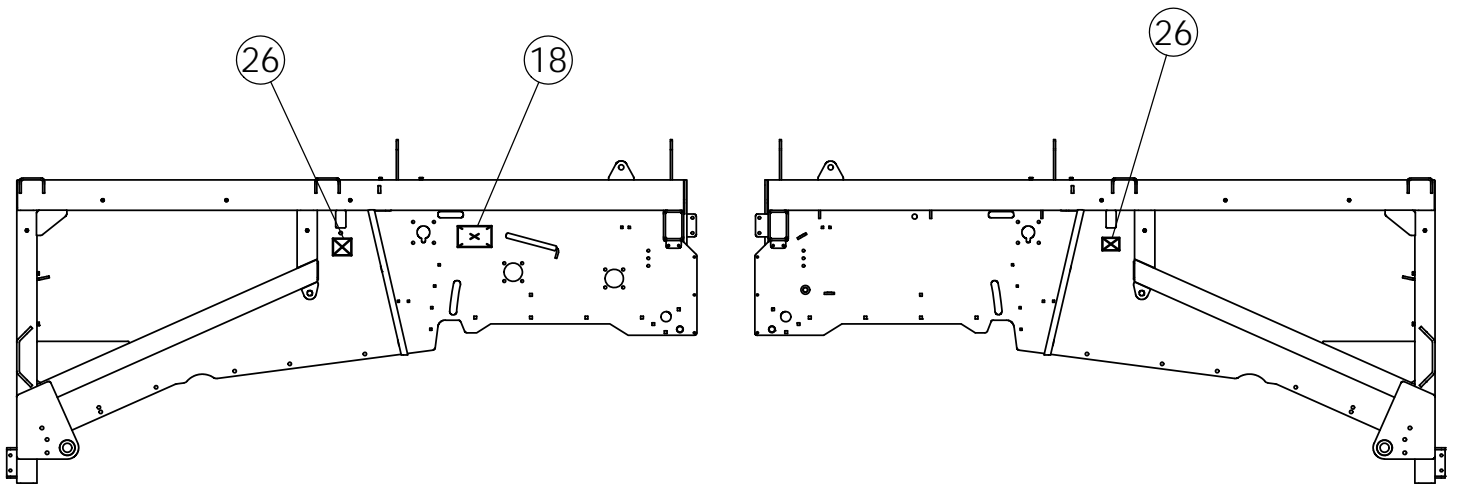
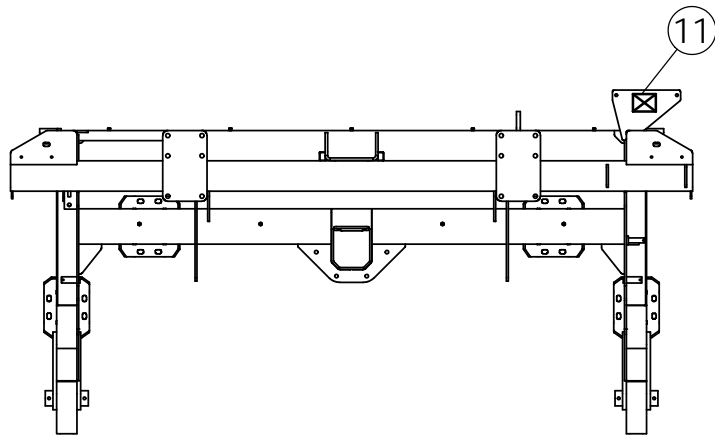
9 52338 QTY 5



10 64429 QTY 1




CONTINUED





# DECALS (CONTINUED)

11 59613 QTY 1



**CAUTION**

To Avoid Injury While Using Ladder:

- While climbing ladder, use both hands to maintain balance.
- Remain facing the ladder while moving up or down.
- Do not reach to the sides while on ladder.
- See operator's manual for other safety information.

59613


15 52339 QTY 1

**WARNING**

1. READ AND UNDERSTAND THE OPERATOR'S MANUAL BEFORE OPERATING THIS MACHINE.
2. DO NOT SERVICE OR ADJUST MACHINE UNTIL ALL MOVEMENT HAS STOPPED, TRACTOR ENGINE IS SHUT DOWN AND MACHINE IS SECURELY SUPPORTED.
3. KEEP OTHERS OFF MACHINE AND AT A SAFE DISTANCE DURING OPERATION.
4. KEEP ALL SHIELDS IN PLACE DURING OPERATION.
5. NEVER WEAR LOOSE CLOTHING WHEN WORKING AROUND MACHINE OR PTO DRIVELINE.
6. DISENGAGE PTO AND STOP TRACTOR ENGINE BEFORE LEAVING OPERATORS SEAT TO INSPECT, CLEAN, ADJUST OR SERVICE MACHINE.
7. FAILURE TO HEED WARNINGS MAY RESULT IN INJURY OR DEATH.

52339

12 59614 QTY 1



**CAUTION**

To Avoid Injury Due to Falling:

- Climbing on this equipment is not recommended.
- Use ladder on opposite side to access equipment.
- Refer to operator's manual for other safety information.

59614

16 62964 QTY 2

**CAUTION**



**HIGH-PRESSURE FLUID HAZARD**

To prevent serious injury or death:

- Relieve pressure on system before repairing or adjusting or disconnecting
- Wear proper hand and eye protection when searching for leaks. Use wood or cardboard instead of hands.
- Keep all components in good repair.

62964

13 64616 QTY 1

**IMPORTANT**

- ENGAGE AND DISENGAGE THE PTO DRIVE OF THIS MACHINE ONLY AT IDLE
- ALWAYS OPERATE THE PTO AT 1000 RPM WHEN MACHINE IS IN USE
- UNDER NORMAL OPERATING CONDITIONS, NEVER THROTTLE BELOW 1000 PTO RPM UNTIL ALL BEETS ARE THROUGH THE MACHINE

64616

17 64428 QTY 1

**IMPORTANT**

- USE 10W40 HYDRAULIC OIL
- CHANGE OIL & FILTER ANNUALLY OR EVERY 250 HOURS
- CAPACITY: 37 GAL (140 L)
- SEE OPERATOR'S MANUAL FOR PRESSURE & TEMPERATURE GUIDELINES

← **FULL COLD**

64428

14 64617 QTY 2



**DANGER**

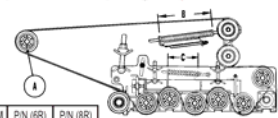
**NEVER CRAWL OR WORK UNDER MACHINE UNLESS IT IS PROPERLY SUPPORTED.**

64617

18 62873 QTY 1

**Cleaning Bed Speed and Spring Adjustment**

Spring Compression Adjustment					
		B	C		
		13.50 In	34 cm		
		8.50 In	22 cm		

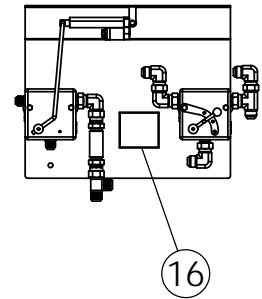
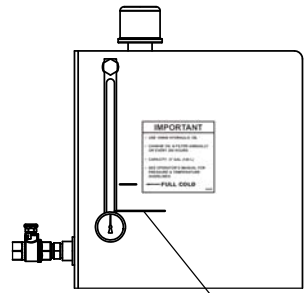
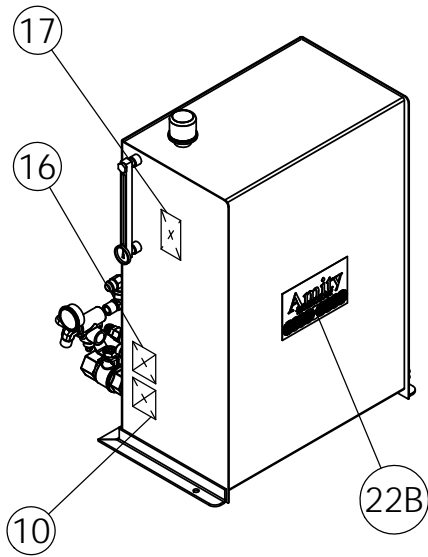
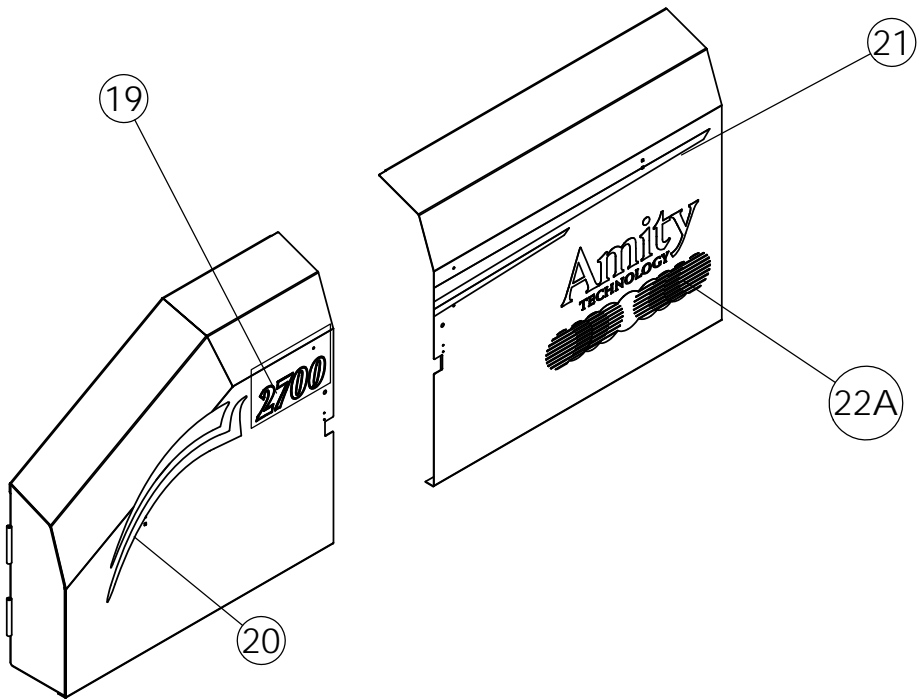


Shoe A	Outside Diameter	Grabroll RPM	PIN (6R)	PIN (8R)
8.5"	7.15 In 182 mm	606	56647	57681
6.2	6.55 In 166 mm	552	56646	57680
5.6"	5.95 In 151 mm	500	53668	57679

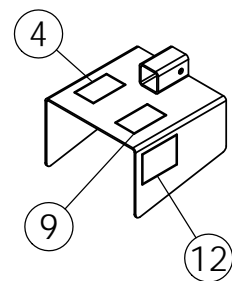
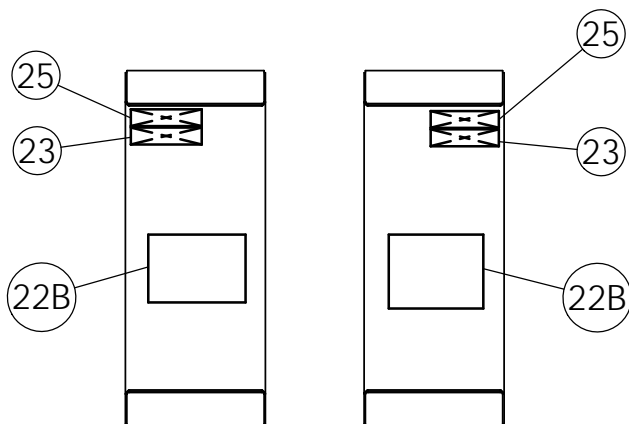
\* Available from your authorized WIC dealer

62873

CONTINUED



2" FROM LOW LINE  
TO FULL COLD  
LINE



# DECALS (CONTINUED)

19 69623 QTY 2



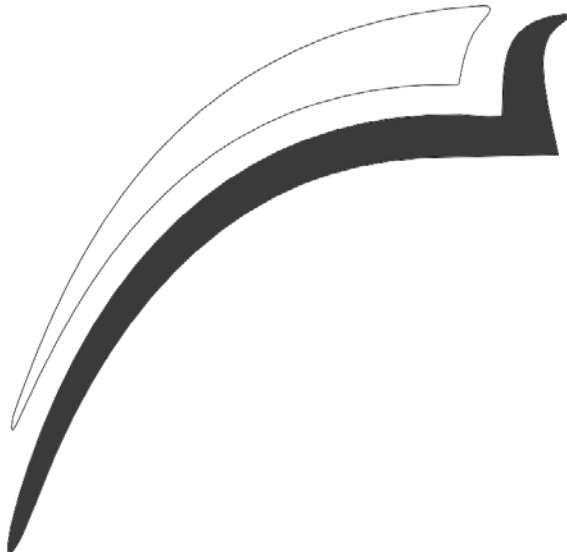
22A 69399  
22B 63465

QTY 2  
QTY 5

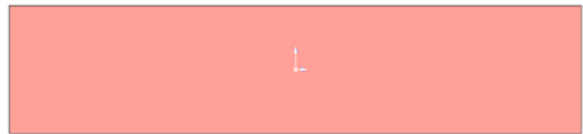
LOGO LARGE  
LOGO SMALL



20 69294 LH QTY 1  
69297 RH NOT SHOWN QTY 1



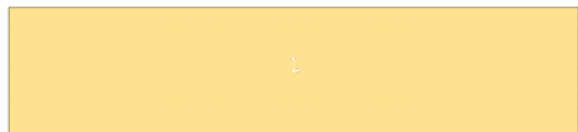
23 65330 QTY 2



24 65331 QTY 4



25 65332 QTY 2



21 69295 LH QTY 1  
69298 RH NOT SHOWN QTY 1



26 72967 QTY 1 STD AXLE



OR

73399 QTY 1 STEERABLE AXLE

