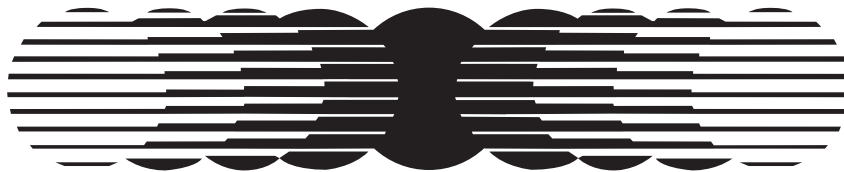


# PARTS MANUAL

2016  
DEFOLIATOR  
3700 12 ROW

Amity  
TECHNOLOGY



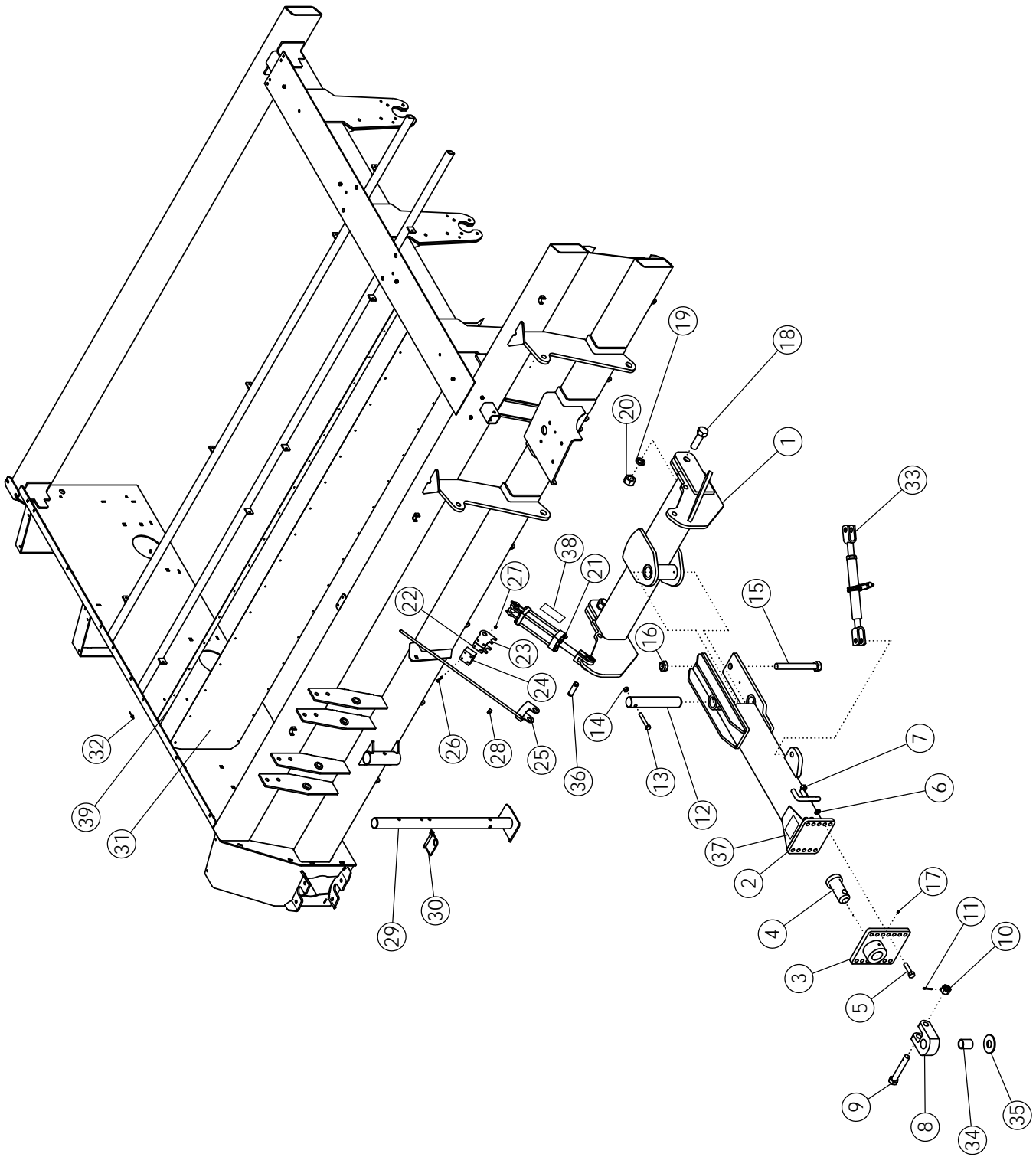
2800 7<sup>TH</sup> Avenue North  
Fargo, ND 58102

Phone: (701) 232-4199  
Fax: (701) 234-1716  
[www.amitytech.com](http://www.amitytech.com)



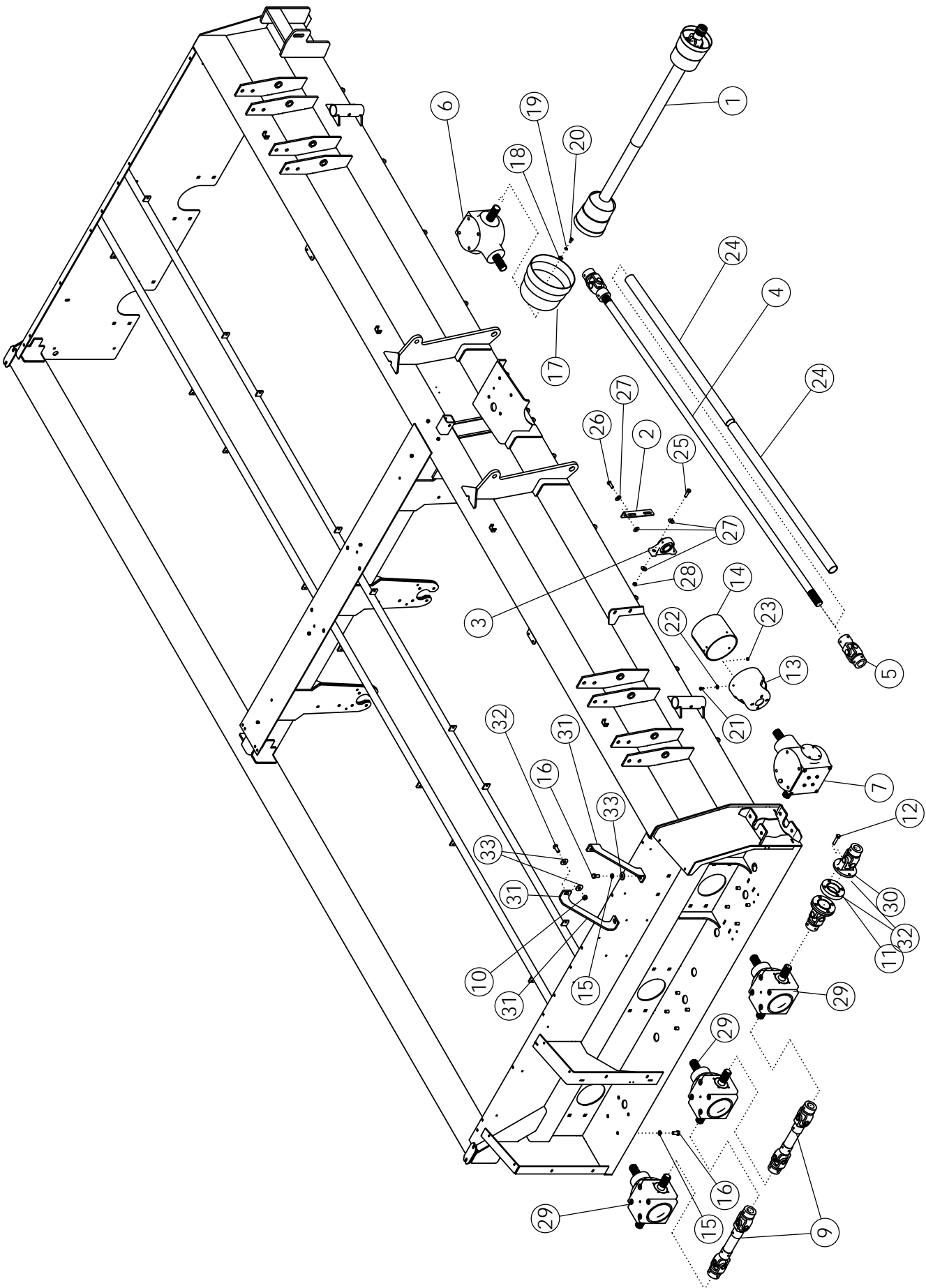
# TABLE OF CONTENTS

|   |         |
|---|---------|
| HITCH ASSEMBLY .....  | 1-2     |
| DRIVE TRAIN .....   | 3-4     |
| #1 FLAILS.....  | 5-14    |
| #2 FLAILS.....  | 15-18   |
| #3 FLAILS.....  | 19-26   |
| FLAIL TUBE ASSEMBLY .....                                     | 27-28   |
| FLAIL TUBE MOUNTING .....                                     | 29-30   |
| FLAIL TUBE MOUNTING - STEEL FRONT DRUM OPTION .....           | 31-32   |
| DOORS AND SHIELDS.....  | 33-36   |
| STANDARD REAR STRUTS-11.2 X 24 TIRES.....                     | 37-38   |
| OCSILLATING SPINDLE HOUSING .....                             | 39-40   |
| STANDARD REAR STRUTS-7.6 X 15 TIRES.....                      | 41-42   |
| STEERABLE REAR STRUTS-11.2 X 24 TIRES.....                    | 43-46   |
| STEERABLE REAR STRUTS-7.6 X 15 TIRES.....                     | 47-50   |
| STEERABLE REAR STRUT UPPER DLS.....                           | 51-52   |
| STEERABLE REAR STRUTS 11.2 X 24 22" CENTERING.....            | 53-54   |
| SCALPER BAR ASSEMBLY .....                                    | 55-5    |
| SCALPER BASKET .....  | 57-58   |
| VALVE BLOCK AN D MOUNT.....                                   | 59-62   |
| SCALPER HYDRAULICS.....                                       | 63-64   |
| SCALPER MOUNTED ROW FINDER 12ROW.....                         | 65-66   |
| SCALPER MOUNTED ROW FINDER HYDRAULICS.....                    | 67-68   |
| FRAME MOUNTED ROWFINDER.....                                  | 69-70   |
| ASSY-ROW FINDER MOUNT.....                                    | 71-72   |
| FRAME MOUNTED ROWFINDER HYDRAULICS.....                       | 73-74   |
| HYDRAULIC ROW FINDER.....                                     | 75-78   |
| HITCH HYDRAULICS.....   | 79-80   |
| LIGHT KIT.....  | 81-82   |
| DECALS.....   | 83-86   |
| FRONT STABILIZER STRUT (OPTIONAL).....                        | 87-88   |
| REAR STRUT HYDRAULICS-11.2 X 24 TIRES (OPTIONAL).....         | 89-90   |
| REAR STRUT HYDRAULICS-7.6 X 15 TIRES (OPTIONAL).....          | 91-92   |
| ASSY-TOP DOOR LIFT.....                                       | 93-34   |
| FLOATING HITCH KIT.....                                       | 95-96   |
| GEARBOX-L TYPE #68065 .....                                   | 97-98   |
| GEARBOX-L TYPE W/OVERRRUN CLUTCH #68066.....                  | 99-100  |
| GEARBOX-T TYPE #68067 .....                                   | 101-102 |
| GEARBOX-T TYPE #68068.....                                    | 103-104 |
| PTO STANDARD (1-3/8" & 1-3/4") #69679 & #69680.....           | 105-106 |
| PTO CONSTANT VELOCITY (1-3/8" & 1-3/4") #69681 & # 69682..... | 107-108 |
| CLUTCH-TORQUE LIMITER #305196 & #305198.....                  | 109-110 |
| SIDE DRIVELINE #52397.....                                    | 111-112 |
| COUPLER-UNIVERSAL JOINT #68443.....                           | 113-114 |
| HYDRAULIC LABEL ASSY.....                                     | 115-116 |
| SNAP RING PLIERS.....   | 117     |



# HITCH ASSEMBLY

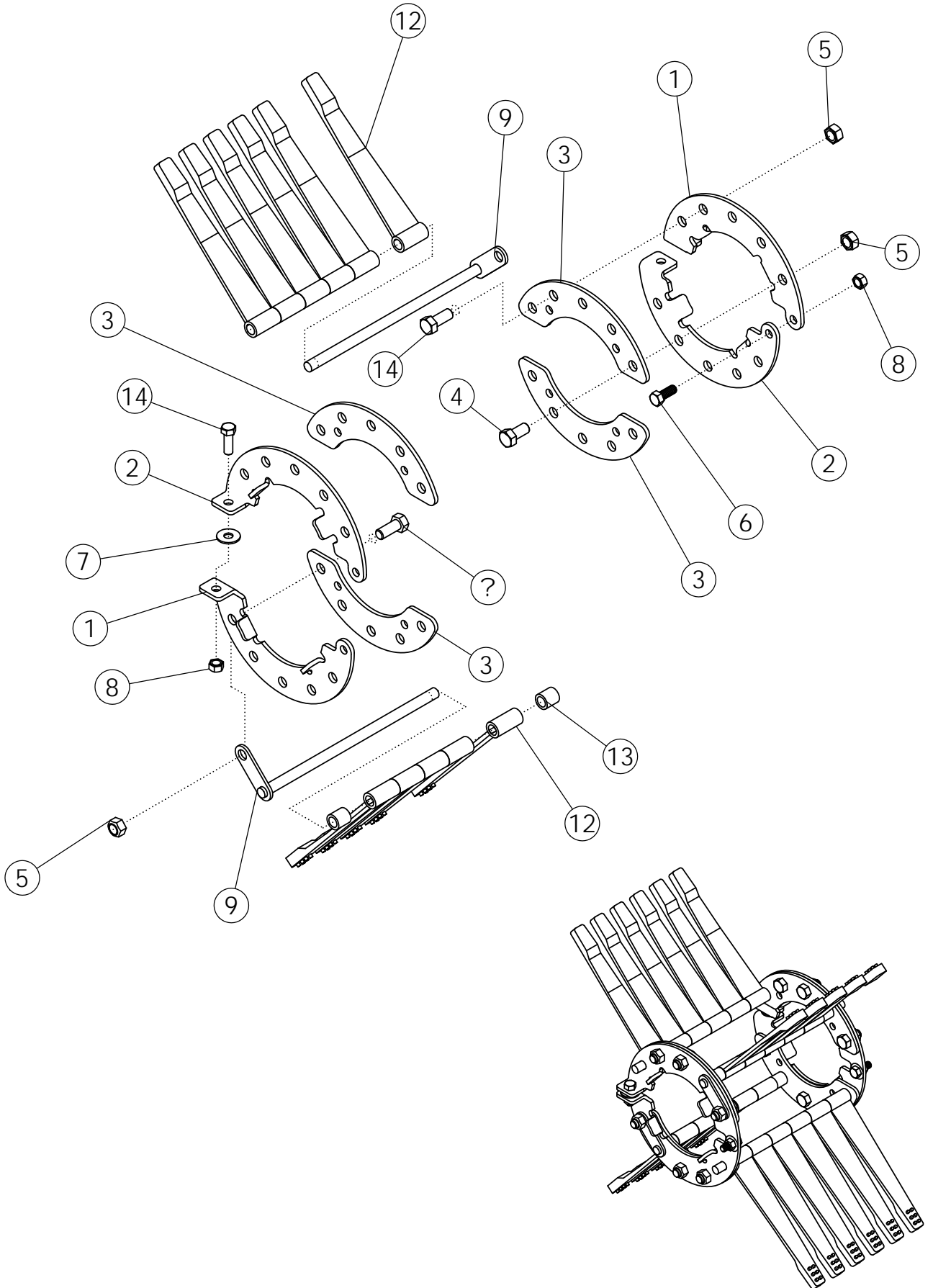
| ITEM | PART NO. | DESCRIPTION                                 | QTY |
|------|----------|---|-----|
| 1    | 50341    | WLDMT - STD HITCH PIVOT                     | 1   |
| 2    | 68277    | WLDMT - DRAWPOLE DEF                        | 1   |
| 3    | 57930    | WLDMT-HITCH PLATE                           | 1   |
| 4    | 62101    | WLDMT-PIN                                   | 1   |
| 5    | 1012059  | BOLT-HEX: .75 X 3.00 NC GR5 ZP              | 6   |
| 6    | 1012061  | WASHER-LOCK: .75 ZP                         | 6   |
| 7    | 1011620  | NUT-HEX: .75 NC GR2 ZP                      | 6   |
| 8    | 64476    | PLATE-PULL HITCH                            | 1   |
| 9    | 62477    | BOLT-HITCH DRILLED                          | 1   |
| 10   | 62088    | NUT-SLOTTED: 1.13 NC GR5 ZP                 | 1   |
| 11   | 1013473  | PIN-COTTER: .19 X 2.00 NP                   | 1   |
| 12   | 50678    | PIN   | 1   |
| 13   | 1015117  | BOLT-HEX: .63 X 4.00 NC GR8 ZP              | 1   |
| 14   | 1016595  | NUT-TOPLOCK: .63 NC GR5 ZP                  | 1   |
| 15   | 1030756  | BOLT-HEX: 1.25 X 10.50 NC GR5 ZP            | 1   |
| 16   | 1030759  | NUT-TOPLOCK: 1.25 NC ZP                     | 1   |
| 17   | 1011748  | ZERK - GREASE                               | 4   |
| 18   | 1030757  | BOLT-HEX: 1.38 X 4.25 NC GR5 ZP             | 2   |
| 19   | 1030760  | WASHER-LOCK: 1.38 ZP                        | 2   |
| 20   | 1030758  | NUT-HEX: 1.38 NC ZP                         | 2   |
| 21   | 58891    | CYLINDER-HYDRAULIC 4 X 8" 3000              | 2   |
|      | 301315   | SEAL KT-CYL 4 X 8, 4 X 10 3000PSI UNIVERSAL |     |
| 22   | 63995    | TOP_BRACKET - RH                            | 1   |
| 23   | 63996    | TOP_BRACKET - LH                            | 1   |
| 24   | 63383    | POLY GUIDE BLOCK                            | 1   |
| 25   | 63999    | WLDMT - BOTTOM_BRACKET                      | 1   |
| 26   | 1016211  | BOLT-HEX: .25 X 2.00 NC GR5                 | 4   |
| 27   | 1030946  | NUT-TOPLOCK: .25 NC GR5 ZP                  | 4   |
| 28   | 63359    | COLLAR-SET: .563 ZP                         | 1   |
| 29   | 52073    | WLDMT-STAND                                 | 2   |
| 30   | 52408    | SPRING PIN .50 X 3.50                       | 2   |
| 31   | 68533    | LINER-FRONT 1222                            | 2   |
| 32   | 56886    | RIVET-POP: .19 X .675 ZP                    | 68  |
| 33   | 52407    | RATCHET JACK-PAINTED                        | 1   |
| 34   | 64615    | TUBE-SPACER 2.0 X 1.25                      | 1   |
|      | 64614    | TUBE-SPACER 2.0 X 1.63                      |     |
| 35   | 58925    | WASHER-HARDENED: 4.00 X 1.63                | 1   |
| 36   | 63406    | PIN-CLEVIS: 1.00 X 4.00 ZP                  | 1   |
| 37   | 52248    | DECAL-CAUTION                               | 1   |
| 38   | 63405    | DECAL-DEPTH GAUGE                           | 1   |
| 39   | 69106    | STRIP-LINER BACK 12R                        | 2   |
| 40   | 58090    | SAFETY CHAIN 20200# (NOT SHOWN)             | 1   |



# DRIVE TRAIN

| ITEM | PART NO. | DESCRIPTION                              | QTY |
|------|----------|--|-----|
| 1    | 69681    | CONSTANT VELOCITY PTO 1.38"              | 1   |
|      | 69682    | CONSTANT VELOCITY PTO 1.75"              |     |
|      | 69679    | STANDARD PTO 1.38"                       |     |
|      | 69680    | STANDARD PTO 1.75"                       |     |
| 2    | 68274    | PLATE-BEARING SUPPORT                    | 1   |
| 3    | 52405    | BEARING-PILLOW 1-3/4"                    | 1   |
| 4    | 300111   | SHAFT-CROSS 12R SPLINED                  | 1   |
| 5    | 69683    | U-JOINT 1-3/4"20 SPLINED                 | 2   |
| 6    | 68065    | GEARBOX-S2125 1.35:1 L                   | 1   |
| 7    | 68066    | GEARBOX-S2125 1.35:1 L W/OVERRUN CLUTCH  | 1   |
| 8    | 68067    | GEARBOX-S2125 1.35:1 T                   | 2   |
| 9    | 52397    | DRIVELINE-SIDE                           | 2   |
| 10   | 1016595* | NUT-TOPLOCK: .63 NC GR5 ZP               | 2   |
| 11   | 305154   | PLATE-SPACER COUPLER 90DEG               | 1   |
| 12   | 305192   | BOLT-HEX .56 X 3.00 NC GR5 ZP            | 4   |
| 13   | 63972    | SHIELD-CONE SMALL DRILLED                | 2   |
| 14   | 52372    | FLAP-RUBBER INSERT                       | 2   |
| 15   | 1011813  | WASHER-LOCK: .63 ZP                      | 22  |
| 16   | 68449    | BOLT-HEX: M16 X 2.0 X L30                | 22  |
| 17   | 52389    | SHIELD CONE-LARGE                        | 1   |
| 18   | 1011828  | WASHER-FLAT: .38 ZP                      | 12  |
| 19   | 1011586  | WASHER-LOCK: .38 ZP                      | 12  |
| 20   | 68450    | BOLT-HEX: M10 X 1.5 X L20                | 12  |
| 21   | 1011597  | BOLT-HEX: .31 X .75 NC GR5 ZP            | 8   |
| 22   | 1011583  | WASHER-FLAT: .31 ZP                      | 8   |
| 23   | 1030700  | NUT-TOPLOCK: .31 NC GR5 ZP               | 8   |
| 24   | 68275    | COVER-CROSS SHAFT 49.50"                 | 2   |
| 25   | 1011608  | BOLT-HEX: .50 X 1.75 NC GR5 ZP           | 2   |
| 26   | 1011607  | BOLT-HEX: .50 X 1.50 NC GR5 ZP           | 2   |
| 27   | 1014443  | WASHER-FLAT: .50 ZP                      | 8   |
| 28   | 1027461  | NUT-TOPLOCK: .50 NC GR5 ZP               | 4   |
| 29   | 68067    | GEARBOX-S2125 1.35:1 T (NON STEEL FLAIL) | 1   |
|      | 68068    | GEARBOX-S2125 1:1.93 T (STEEL FLAIL)     |     |
| 30   | 68443    | COUPLER-U-JOINT                          | 1   |
| 31   | 68970*   | PLATE-GEARBOX SUPPORT                    | 2   |
| 32   | 72063*   | BOLT-CRG: .63 X 1.50 NC GR5 ZP           | 2   |
| 33   | 1013024* | WASHER-FLAT: .63 ZP                      | 4   |

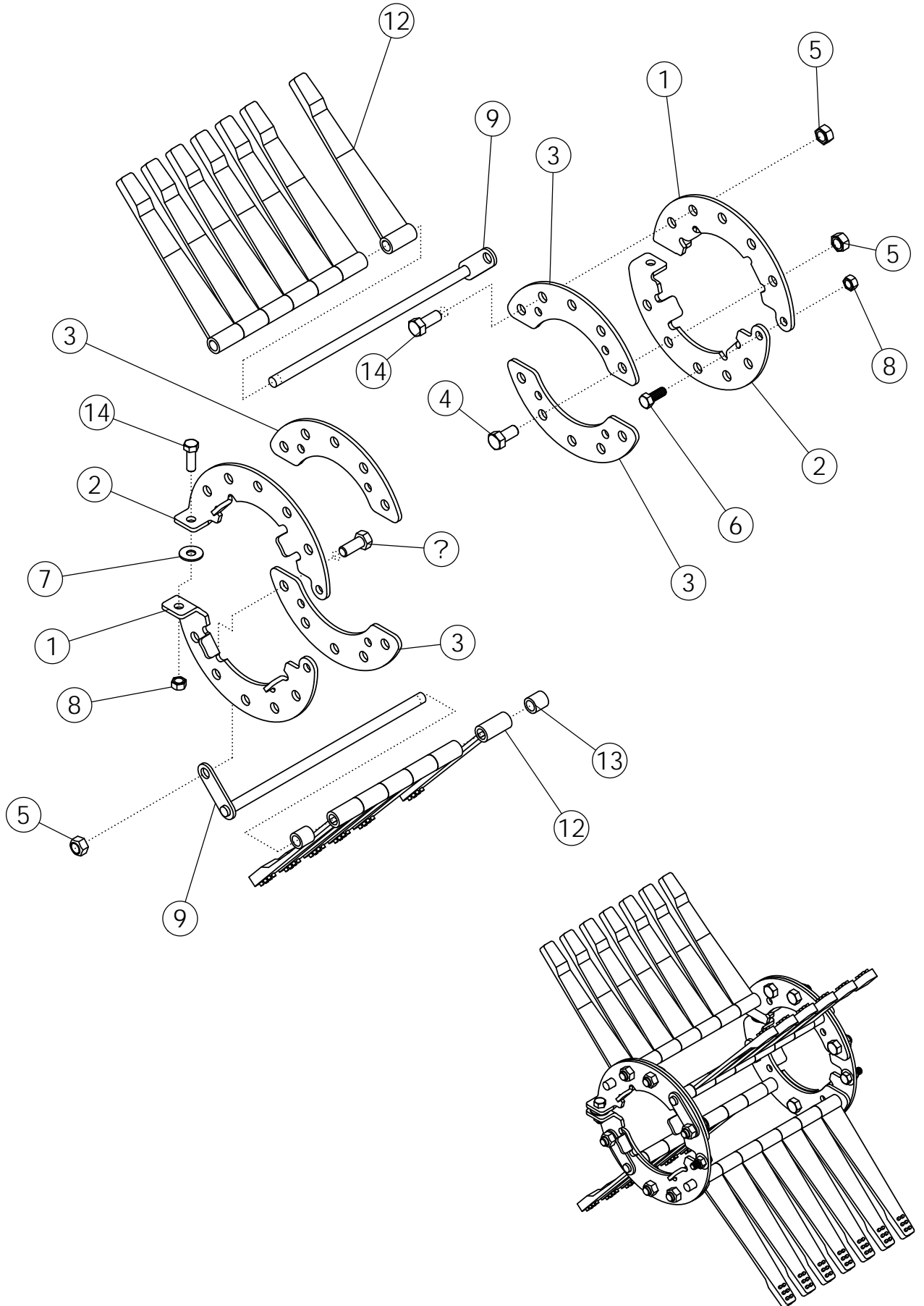
\* USE WITH STEEL FRONT DRUM ONLY





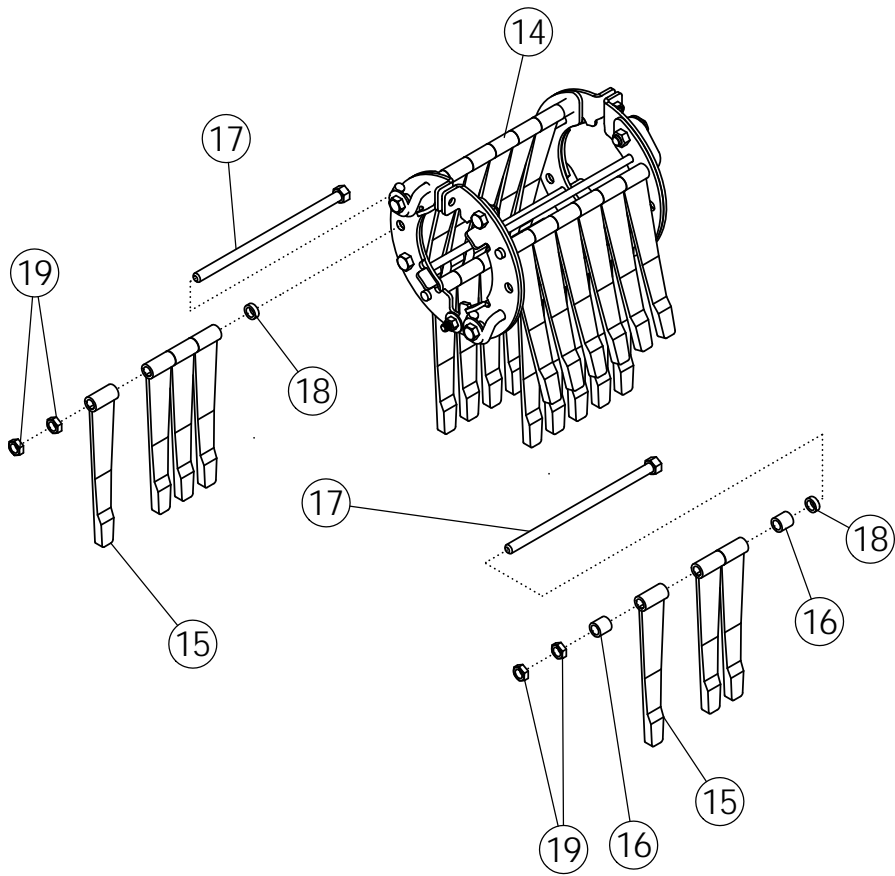
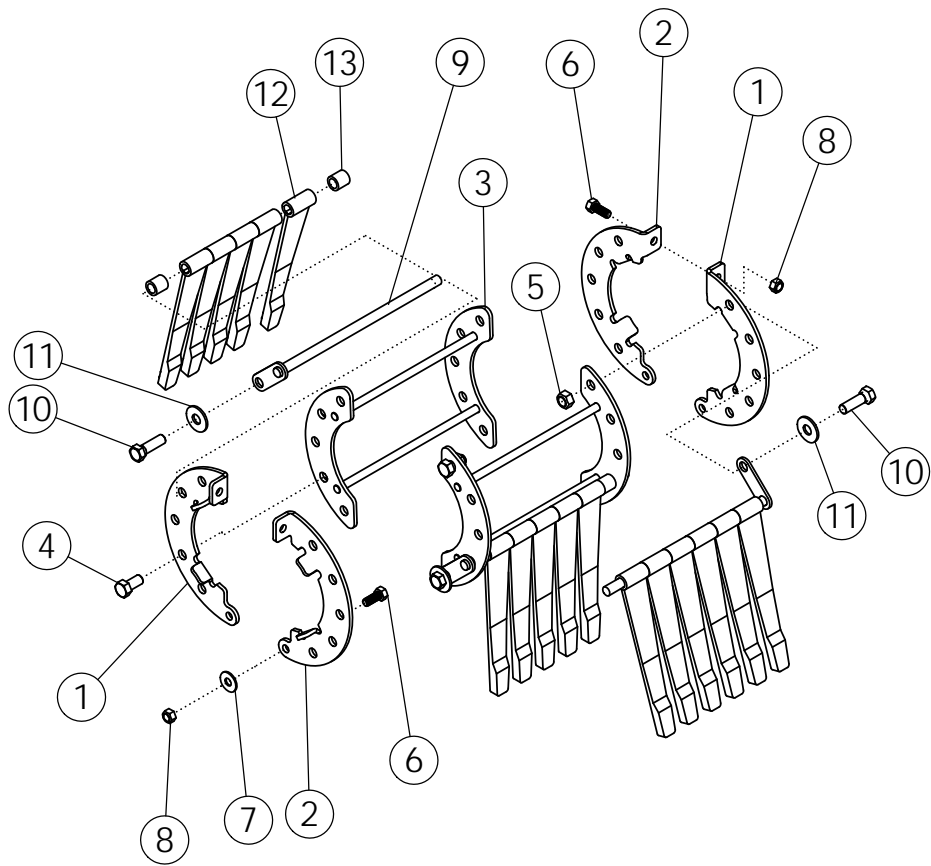
# RUBBER FLAILS ON #1 DRUM FORWARD 22" SPACING (#52123)

| ITEM | PART NO. | DESCRIPTION                    | QTY |
|------|----------|--------------------------------|-----|
| 1    | 52062    | FLAIL RING-LH                  | 2   |
| 2    | 52061    | FLAIL RING-RH                  | 2   |
| 3    | 58084    | PLATE-REINFORCEMENT ZP         | 4   |
| 4    | 1032509  | BOLT-HEX: .63 X 1.25 NC GR5 ZP | 8   |
| 5    | 1016595  | NUT-TOPLOCK: .63 NC GR5 ZP     | 12  |
| 6    | 1011606  | BOLT-HEX: .50 X 1.25 NC GR5 ZP | 2   |
| 7    | 1014443  | WASHER-FLAT: .50 ZP            | 2   |
| 8    | 1027461  | NUT-TOPLOCK: .50 NC GR5 ZP     | 4   |
| 9    | 305557   | FLAIL ROD                      | 4   |
| 10   | 1011623  | BOLT-HEX: .63 X 2.00 NC GR5 ZP | 4   |
| 11   | 1013024  | WASHER-FLAT: .63 ZP            | 4   |
| 12   | 52356    | FLAIL-STUDDER 1 X 12           | 22  |
| 13   | 51549    | SPACER 1                       | 4   |
| 14   | 1011607  | BOLT-HEX: .50 X 1.50 NC GR5 ZP | 2   |



# RUBBER FLAILS ON #1 DRUM FORWARD 30" SPACING

| ITEM | PART NO. | DESCRIPTION                    | QTY |
|------|----------|--------------------------------|-----|
| 1    | 52062    | FLAIL RING-LH                  | 2   |
| 2    | 52061    | FLAIL RING-RH                  | 2   |
| 3    | 58084    | PLATE-REINFORCEMENT ZP         | 4   |
| 4    | 1032509  | BOLT-HEX: .63 X 1.25 NC GR5 ZP | 8   |
| 5    | 1016595  | NUT-TOPLOCK: .63 NC GR5 ZP     | 12  |
| 6    | 1011606  | BOLT-HEX: .50 X 1.25 NC GR5 ZP | 2   |
| 7    | 1014443  | WASHER-FLAT: .50 ZP            | 2   |
| 8    | 1027461  | NUT-TOPLOCK: .50 NC GR5 ZP     | 4   |
| 9    | 305556   | FLAIL ROD                      | 4   |
| 10   | 1011623  | BOLT-HEX: .63 X 2.00 NC GR5 ZP | 4   |
| 11   | 1013024  | WASHER-FLAT: .63 ZP            | 4   |
| 12   | 52356    | FLAIL-STUDDDED 1 X 12          | 26  |
|      | 52354    | FLAIL-RUBBER 1 X 12 (PREMIER)  |     |
|      | 52235    | FLAIL-RUBBER 2 X 12            |     |
| 13   | 51549    | SPACER 1                       | 4   |
| 14   | 1011607  | BOLT-HEX: .50 X 1.50 NC GR5 ZP | 2   |



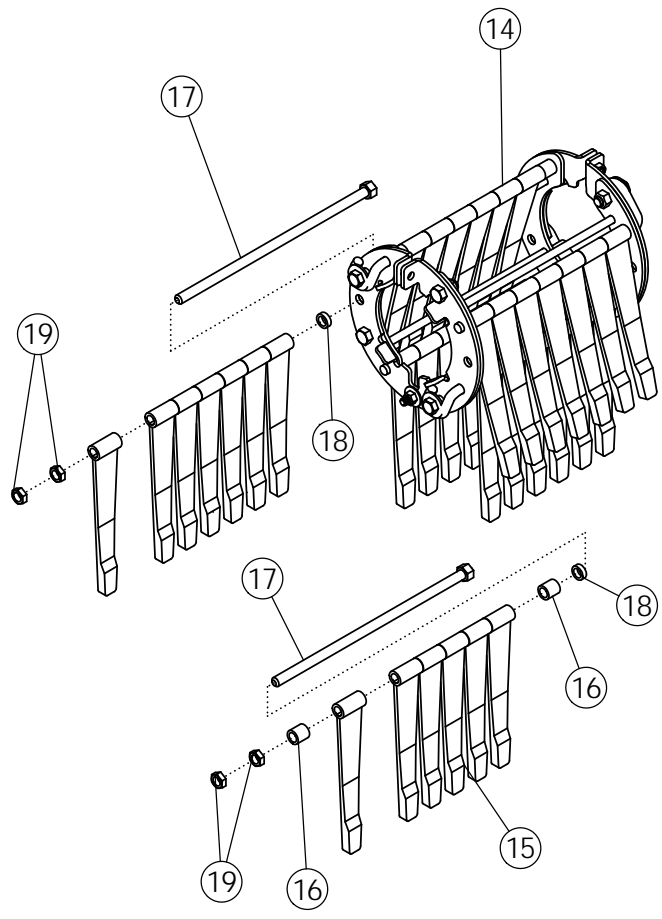
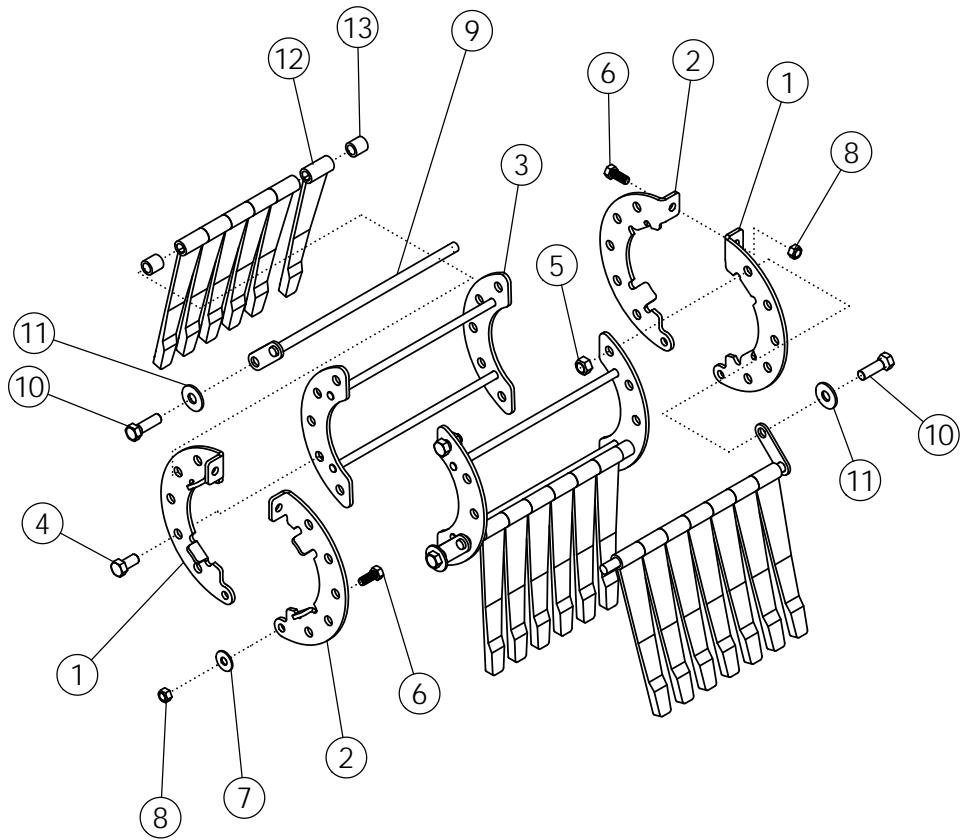
# RUBBER FLAILS ON #1 DRUM REVERSE 22" SPACING

| ITEM | PART NO. | DESCRIPTION                    | QTY |
|------|----------|--------------------------------|-----|
| 1    | 52062    | FLAIL RING-LH                  | 2   |
| 2    | 52061    | FLAIL RING-RH                  | 2   |
| 3    | 58167    | WLDMT-FRONT BAIL               | 2   |
| 4    | 1032509  | BOLT-HEX: .63 X 1.25 NC GR5 ZP | 4   |
| 5    | 1016595  | NUT-TOPLOCK: .63 NC GR5 ZP     | 8   |
| 6    | 1011606  | BOLT-HEX: .50 X 1.25 NC GR5 ZP | 4   |
| 7    | 1014443  | WASHER-FLAT: .50 ZP            | 2   |
| 8    | 1027461  | NUT-TOPLOCK: .50 NC GR5 ZP     | 4   |
| 9    | 305557   | FLAIL ROD                      | 4   |
| 10   | 1011623  | BOLT-HEX: .63 X 2.00 NC GR5 ZP | 4   |
| 11   | 1013024  | WASHER-FLAT: .63 ZP            | 4   |
| 12   | 52356    | FLAIL-STUDDDED 1 X 12          | 22  |
| 13   | 51549    | SPACER 1                       | 4   |

## IN BETWEEN ROWS: 22" SPACING

|    |         |                             |   |
|----|---------|-----------------------------|---|
| 14 | 58542*  | ASSY-FLAIL #1 22" REVERSE   | 1 |
| 15 | 52356   | FLAIL-STUDDDED 1 X 12       | 7 |
| 16 | 51549   | SPACER 1                    | 2 |
| 17 | 64600   | WLDMT-FLAIL ROD REVERSE 22" | 2 |
| 18 | 51547   | SPACER 5/16                 | 2 |
| 19 | 1026259 | NUT-JAM: .63 NC GR2 ZP      | 4 |

\*ITEMS ARE 1-13 ARE INCLUDED IN ITEM 14



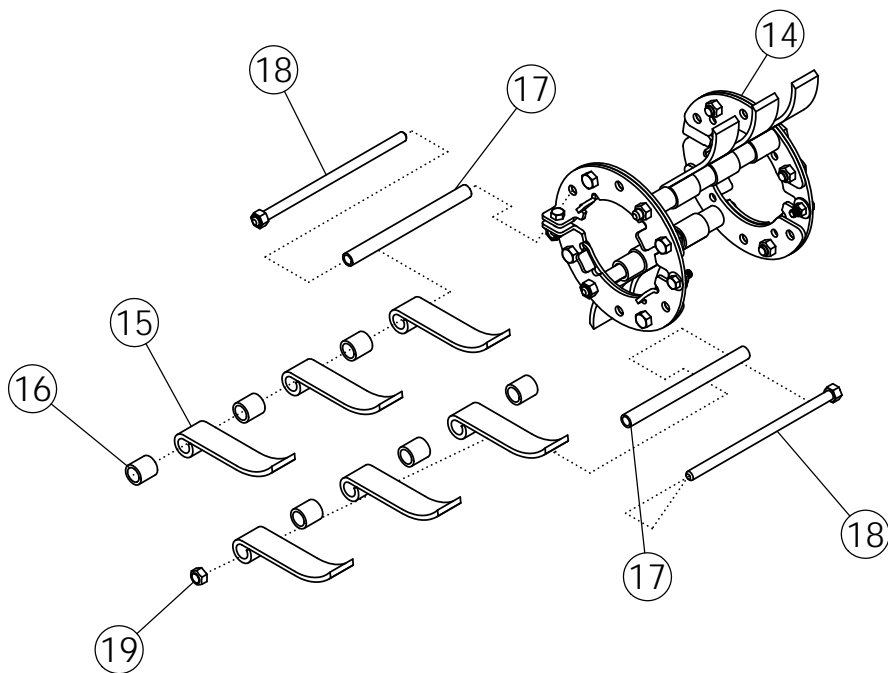
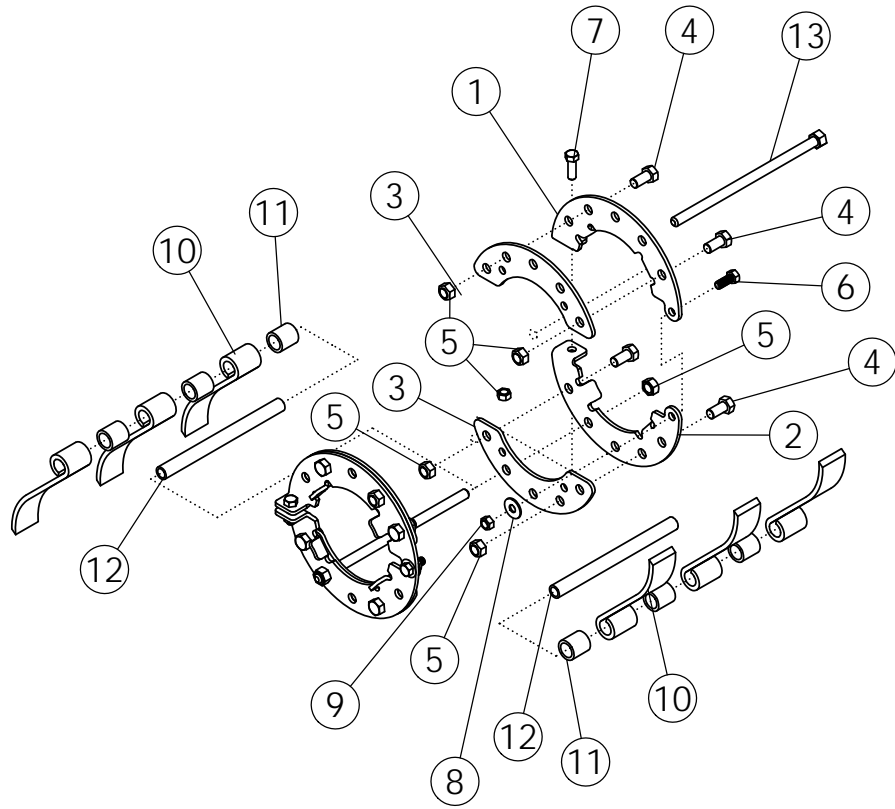
# RUBBER FLAILS ON #1 DRUM REVERSE 30" SPACING

| ITEM | PART NO. | DESCRIPTION                    | QTY |
|------|----------|--------------------------------|-----|
| 1    | 52062    | FLAIL RING-LH                  | 2   |
| 2    | 52061    | FLAIL RING-RH                  | 2   |
| 3    | 62254    | WLDMT-FRONT BAIL               | 2   |
| 4    | 1032509  | BOLT-HEX: .63 X 1.25 NC GR5 ZP | 4   |
| 5    | 1016595  | NUT-TOPLOCK: .63 NC GR5 ZP     | 8   |
| 6    | 1011606  | BOLT-HEX: .50 X 1.25 NC GR5 ZP | 4   |
| 7    | 1014443  | WASHER-FLAT: .50 ZP            | 2   |
| 8    | 1027461  | NUT-TOPLOCK: .50 NC GR5 ZP     | 4   |
| 9    | 305556   | WLDMT-6 FLAIL ROD 15.75" ZP    | 4   |
| 10   | 1011623  | BOLT-HEX: .63 X 2.00 NC GR5 ZP | 4   |
| 11   | 1013024  | WASHER-FLAT: .63 ZP            | 4   |
| 12   | 52356    | FLAIL-STUDED 1 X 12            | 26  |
| 13   | 51549    | SPACER 1                       | 4   |

## IN BETWEEN ROWS: 30" SPACING

|    |         |                             |    |
|----|---------|-----------------------------|----|
| 14 | 58543*  | ASSY-FLAIL #1 30" REVERSE   | 1  |
| 15 | 52356   | FLAIL-STUDED 1 X 12         | 13 |
| 16 | 51549   | SPACER 1                    | 2  |
| 17 | 64755   | WLDMT-FLAIL ROD REVERSE 30" | 2  |
| 18 | 51547   | SPACER 5/16                 | 2  |
| 19 | 1026259 | NUT-JAM: .63 NC GR2 ZP      | 4  |

\*ITEMS ARE 1-13 ARE INCLUDED IN ITEM 14

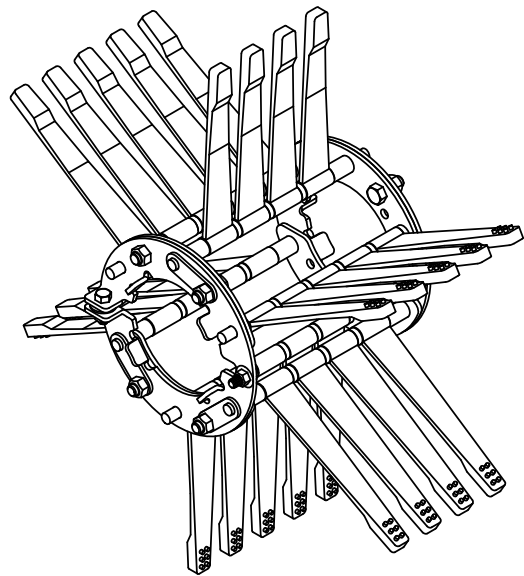
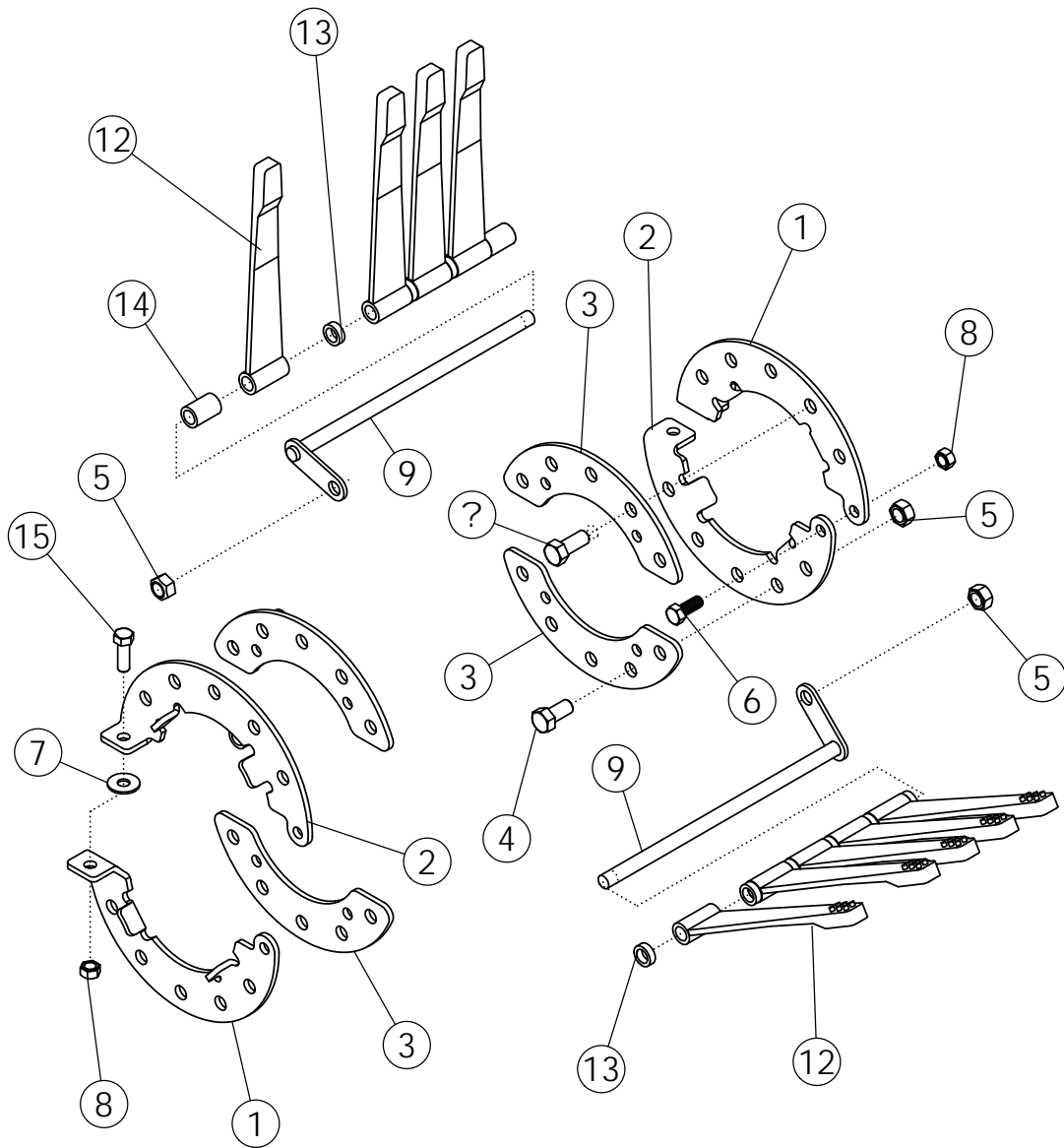




# STEEL CUP FLAILS #1 DRUM REVERSE

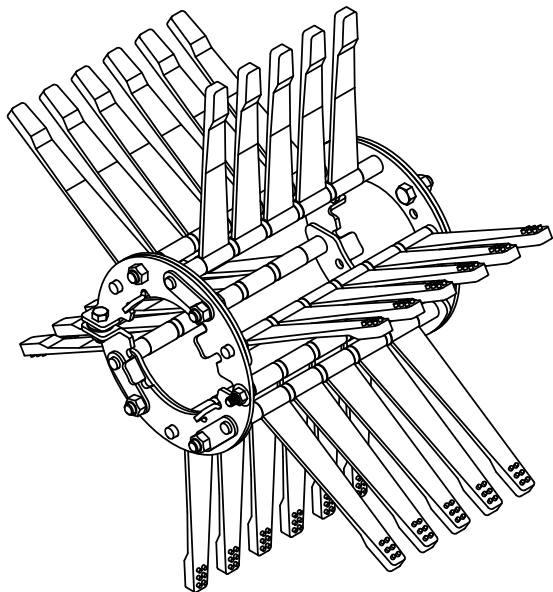
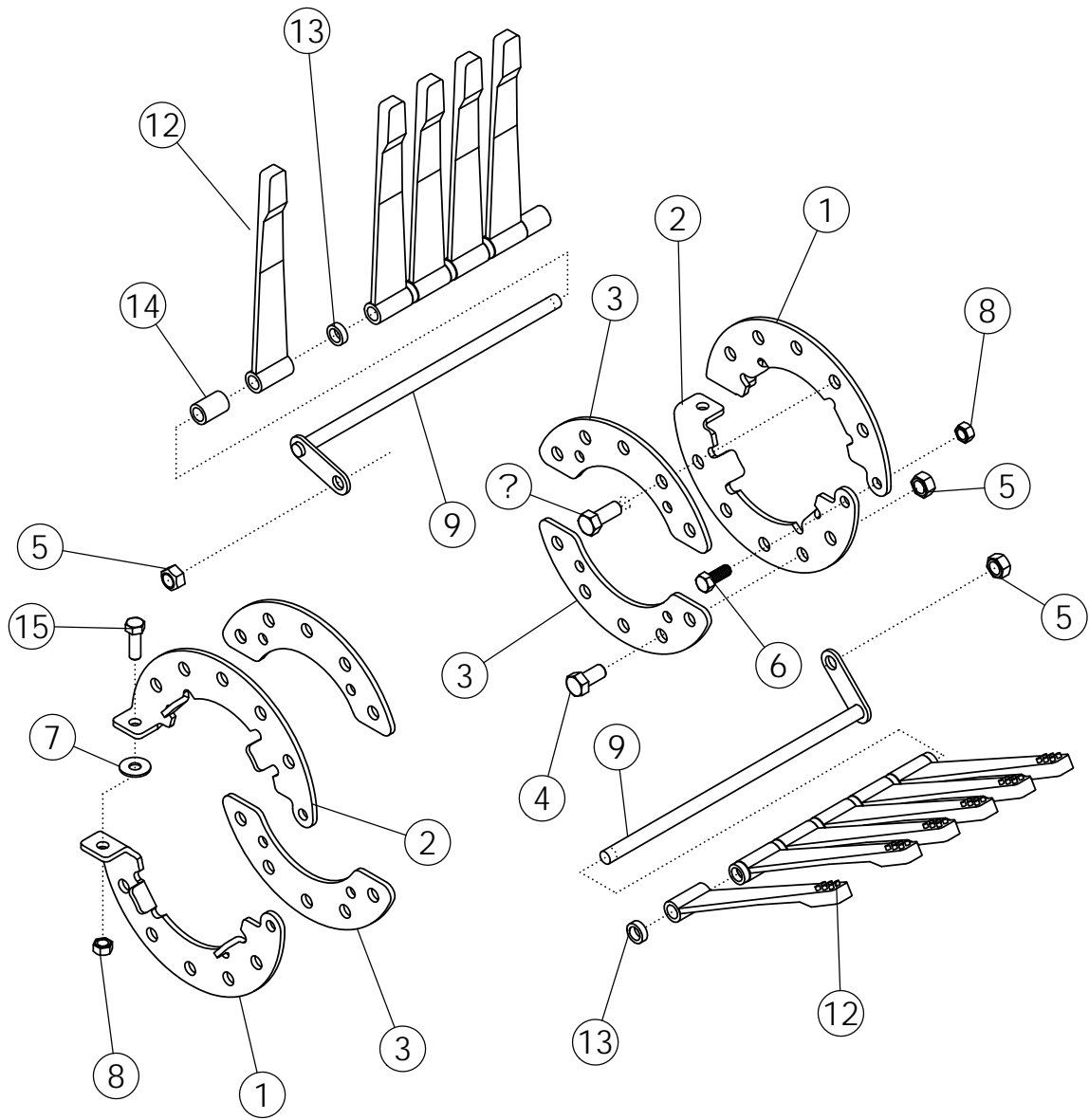
| ITEM                   | PART NO. | DESCRIPTION                    | QTY |
|------------------------|----------|--------------------------------|-----|
| 1                      | 52062    | FLAIL RING LH - ZP             | 2   |
| 2                      | 52061    | FLAIL RING RH - ZP             | 2   |
| 3                      | 58084    | PLATE                          | 4   |
| 4                      | 1032509  | BOLT-HEX: .63 X 1.25 NC GR5 ZP | 4   |
| 5                      | 1016595  | NUT-TOPLOCK: .63 NC GR5 ZP     | 6   |
| 6                      | 1011606  | BOLT-HEX: .50 X 1.25 NC GR5 ZP | 2   |
| 7                      | 1011607  | BOLT-HEX: .50 X 1.50 NC GR5 ZP | 2   |
| 8                      | 1014443  | WASHER-FLAT: .50 ZP            | 2   |
| 9                      | 1027461  | NUT-TOPLOCK: .50 NC GR5 ZP     | 4   |
| 10                     | 68479    | FLAIL-CUP 8"                   | 6   |
|                        | 69985    | FLAIL-CUP 9.5"                 |     |
| 11                     | 68546    | SPACER 1.45"                   | 6   |
| 12                     | 68553    | BUSHING-FLAIL 10.50"           | 2   |
| 13                     | 68549    | WLDMT-FLAIL ROD CUP            | 2   |
| <b>IN BETWEEN ROWS</b> |          |                                |     |
| 14                     | 68545*   | ASSY-FLAIL CUP 6.63"           | 1   |
|                        | 69984*   | ASSY-FLAIL CUP 6.63" LONG      |     |
| 15                     | 68479    | FLAIL-CUP 8"                   | 6   |
|                        | 69985    | FLAIL-CUP 9.5"                 |     |
| 16                     | 68546    | SPACER 1.45"                   | 6   |
| 17                     | 68553    | BUSHING-FLAIL 10.50"           | 2   |
| 18                     | 68549    | WLDMT-FLAIL ROD CUP            | 2   |
| 19                     | 1016595  | NUT-TOPLOCK: .63 NC GR5 ZP     | 2   |

\*ITEMS 1-13 ARE INCLUDED IN ITEM 14



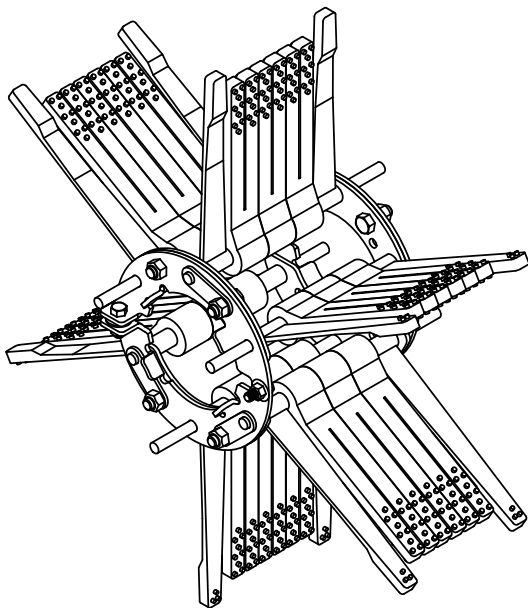
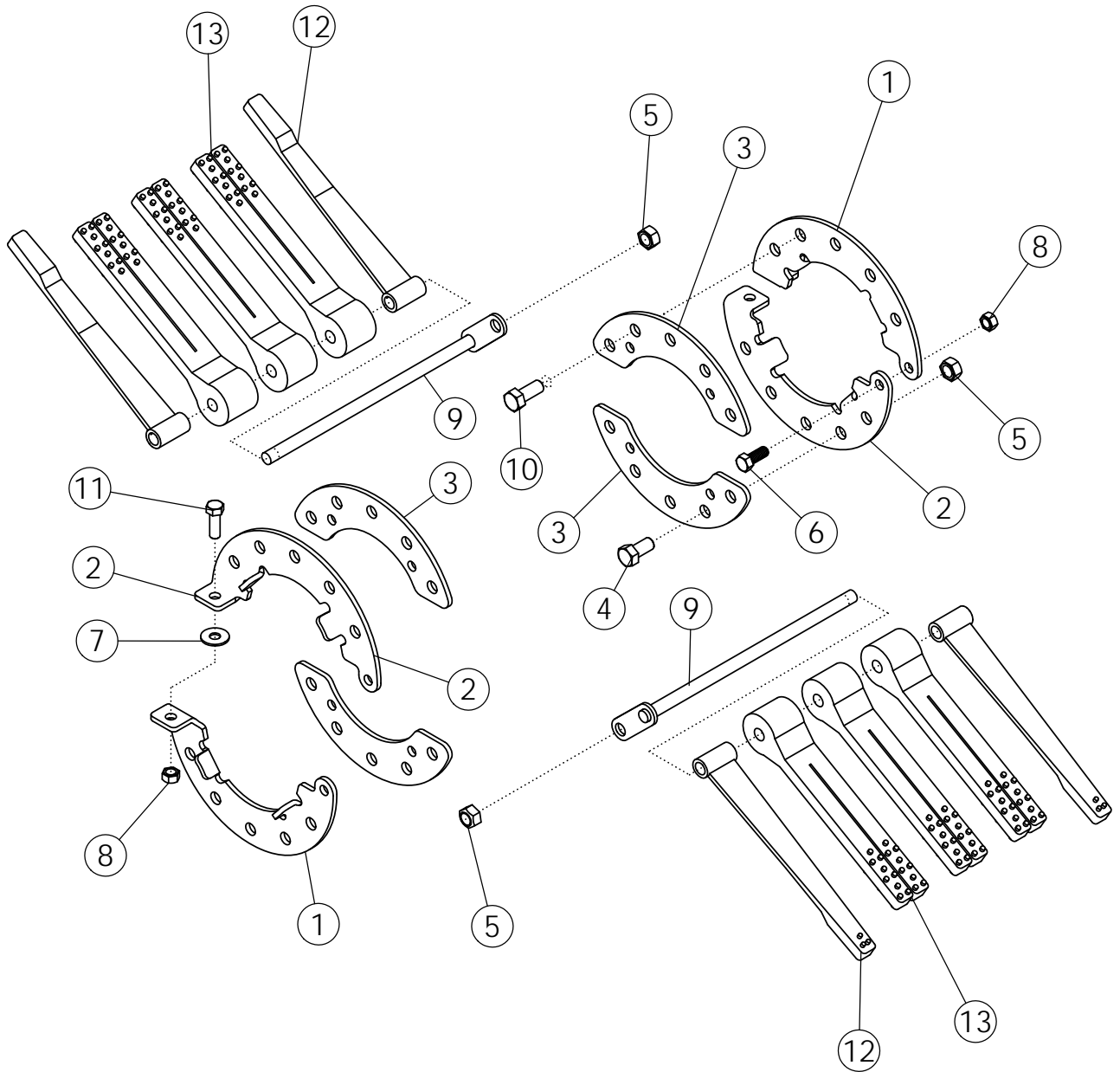
## FLAILS ON #2 DRUM

| ITEM | PART NO. | DESCRIPTION                    | QTY |
|------|----------|--------------------------------|-----|
| 1    | 52062    | FLAIL RING-LH                  | 2   |
| 2    | 52061    | FLAIL RING-RH                  | 2   |
| 3    | 58084    | PLATE-REINFORCEMENT ZP         | 4   |
| 4    | 1032509  | BOLT-HEX: .63 X 1.25 NC GR5 ZP | 2   |
| 5    | 1016595  | NUT-TOPLOCK: .63 NC GR5 ZP     | 8   |
| 6    | 1011606  | BOLT-HEX: .50 X 1.25 NC GR5 ZP | 2   |
| 7    | 1014443  | WASHER-FLAT: .50 ZP            | 2   |
| 8    | 1027461  | NUT-TOPLOCK: .50 NC GR5 ZP     | 4   |
| 9    | 305557   | FLAIL ROD                      | 6   |
| 10   | 1011623  | BOLT-HEX: .63 X 2.00 NC GR5 ZP | 6   |
| 11   | 1013024  | WASHER-FLAT: .63 ZP            | 6   |
| 12   | 52356    | FLAIL-STUDDDED 1 X 12          | 27  |
|      | 52354    | FLAIL-RUBBER 1 X 12 (PREMIER)  | 27  |
| 13   | 51547    | SPACER 5/16                    | 27  |
| 14   | 51548    | SPACER 1-7/16                  | 6   |
| 15   | 1011607  | BOLT-HEX: .50 X 1.50 NC GR5 ZP | 2   |



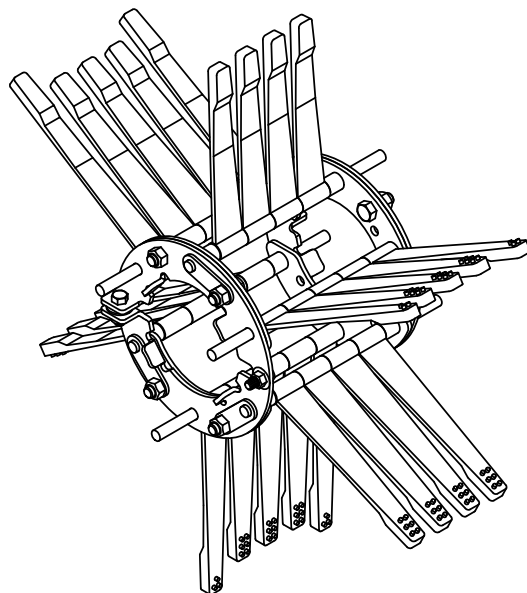
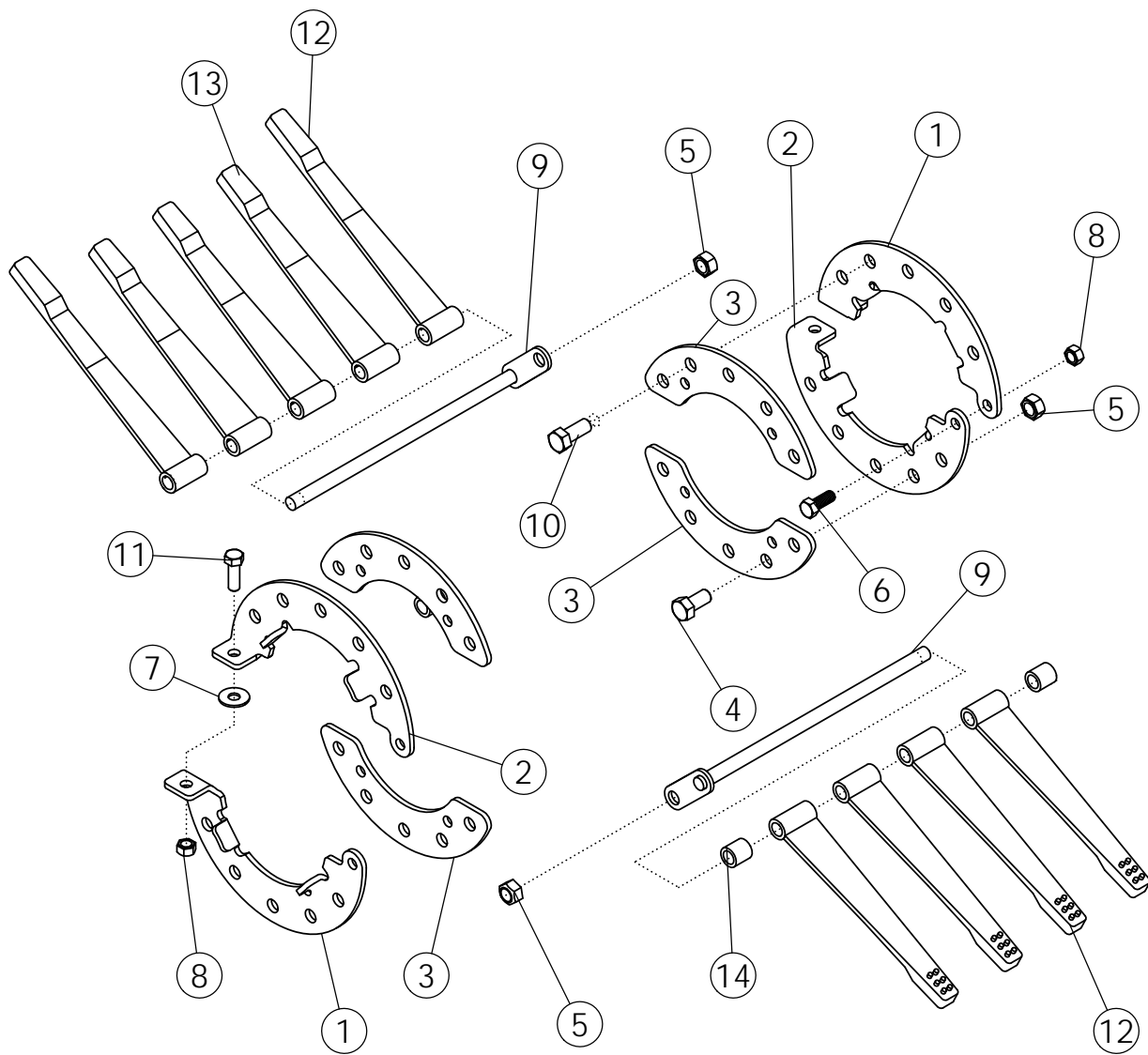
## FLAILS ON #2 DRUM 30" SPACING

| ITEM | PART NO. | DESCRIPTION                    | QTY |
|------|----------|--------------------------------|-----|
| 1    | 52062    | FLAIL RING-LH                  | 2   |
| 2    | 52061    | FLAIL RING-RH                  | 2   |
| 3    | 58084    | PLATE-REINFORCEMENT ZP         | 4   |
| 4    | 1032509  | BOLT-HEX: .63 X 1.25 NC GR5 ZP | 2   |
| 5    | 1016595  | NUT-TOPLOCK: .63 NC GR5 ZP     | 8   |
| 6    | 1011606  | BOLT-HEX: .50 X 1.25 NC GR5 ZP | 2   |
| 7    | 1014443  | WASHER-FLAT: .50 ZP            | 2   |
| 8    | 1027461  | NUT-TOPLOCK: .50 NC GR5 ZP     | 4   |
| 9    | 305556   | WLDMT-6 FLAIL ROD 15.75" ZP    | 6   |
| 10   | 1011623  | BOLT-HEX: .63 X 2.00 NC GR5 ZP | 6   |
| 11   | 1013024  | WASHER-FLAT: .63 ZP            | 6   |
| 12   | 52356    | FLAIL-STUDDER 1 X 12           | 33  |
|      | 52354    | FLAIL-RUBBER 1 X 12 (PREMIER)  | 33  |
| 13   | 51547    | SPACER 5/16                    | 33  |
| 14   | 51548    | SPACER 1-7/16                  | 6   |
| 15   | 1011607  | BOLT-HEX: .50 X 1.50 NC GR5 ZP | 2   |



## FLAILS ON #3 DRUM

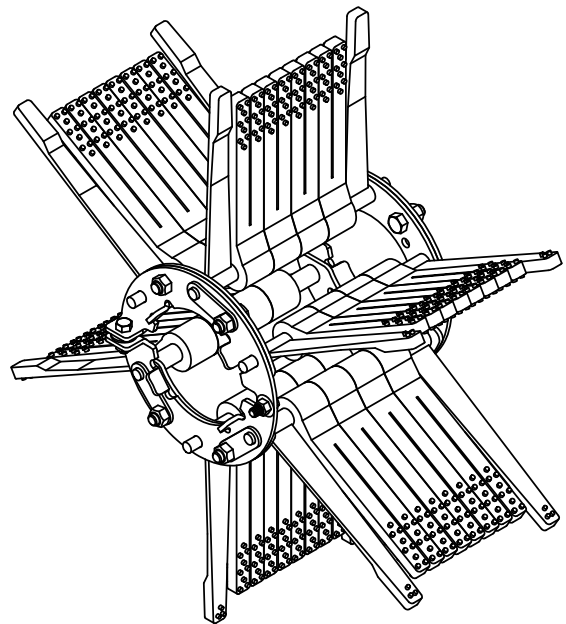
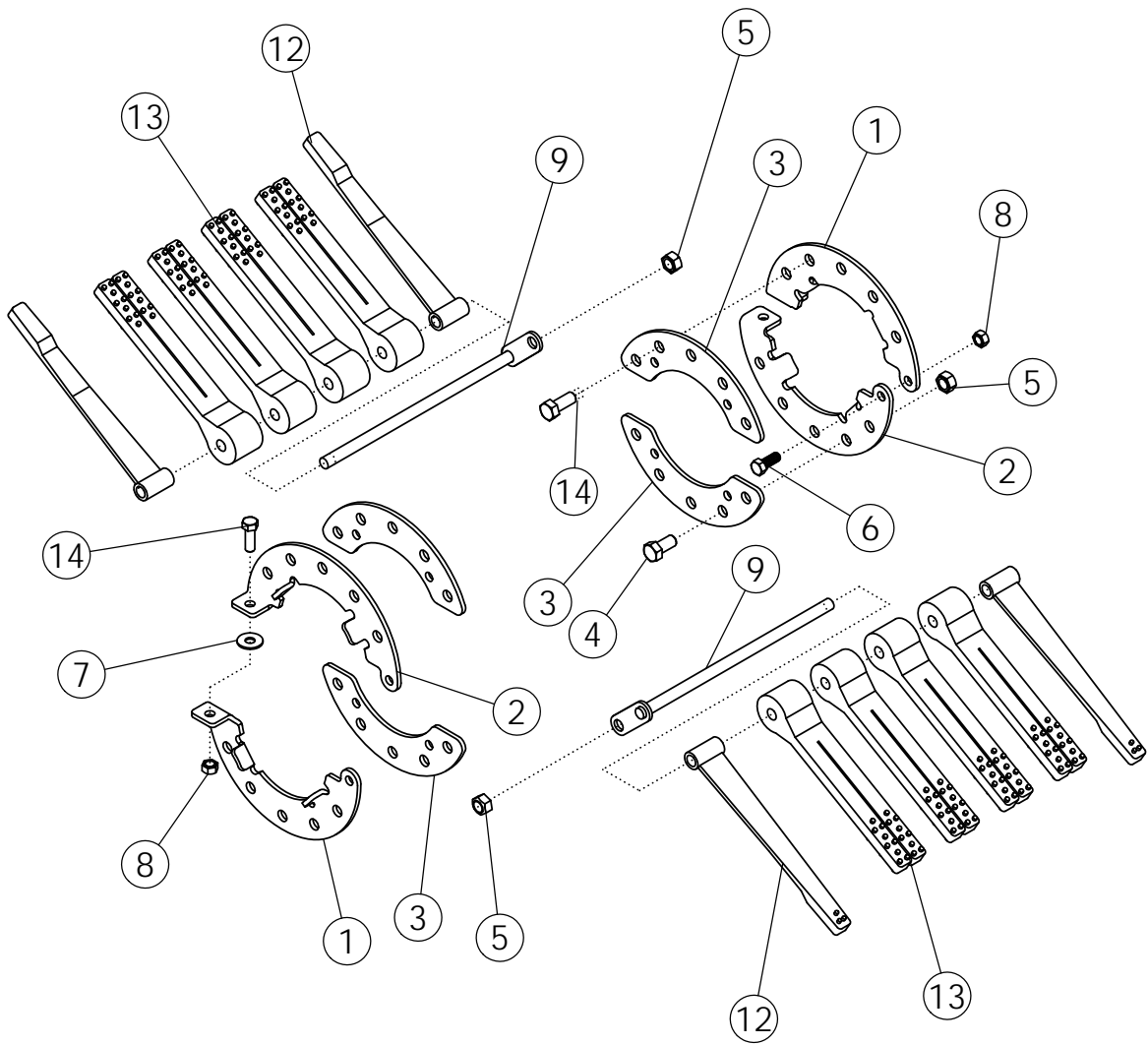
| ITEM | PART NO. | DESCRIPTION                    | QTY |
|------|----------|--------------------------------|-----|
| 1    | 52062    | FLAIL RING-LH                  | 2   |
| 2    | 52061    | FLAIL RING-RH                  | 2   |
| 3    | 58084    | PLATE-REINFORCEMENT ZP         | 4   |
| 4    | 1032509  | BOLT-HEX: .63 X 1.25 NC GR5 ZP | 2   |
| 5    | 1016595  | NUT-TOPLOCK: .63 NC GR5 ZP     | 8   |
| 6    | 1011606  | BOLT-HEX: .50 X 1.25 NC GR5 ZP | 2   |
| 7    | 1014443  | WASHER-FLAT: .50 ZP            | 2   |
| 8    | 1027461  | NUT-TOPLOCK: .50 NC GR5 ZP     | 4   |
| 9    | 305557   | FLAIL ROD                      | 6   |
| 10   | 1014349  | BOLT-HEX: .63 X 1.50 NC GR5 ZP | 6   |
| 11   | 1011607  | BOLT-HEX: .50 X 1.50 NC GR5 ZP | 2   |
| 12   | 52355    | FLAIL-SWEEP 1 X 13-1/4         | 12  |
| 13   | 58255    | FLAIL-SPLIT TAPER 2 X 12       | 18  |
|      | 52356    | FLAIL-STUDDDED 1 X 12          | 18  |





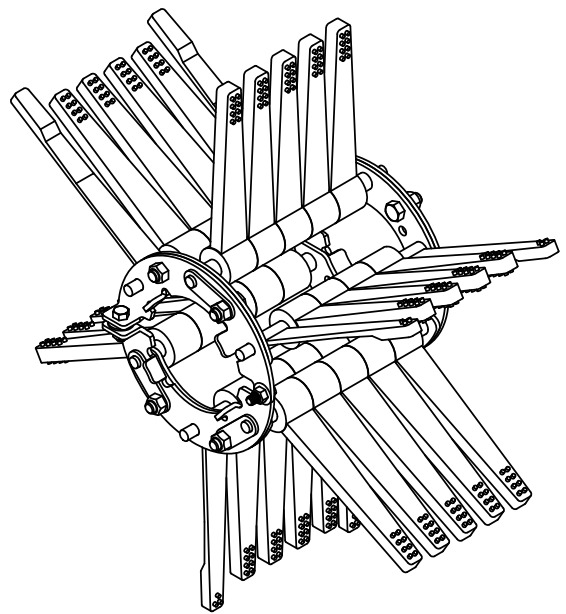
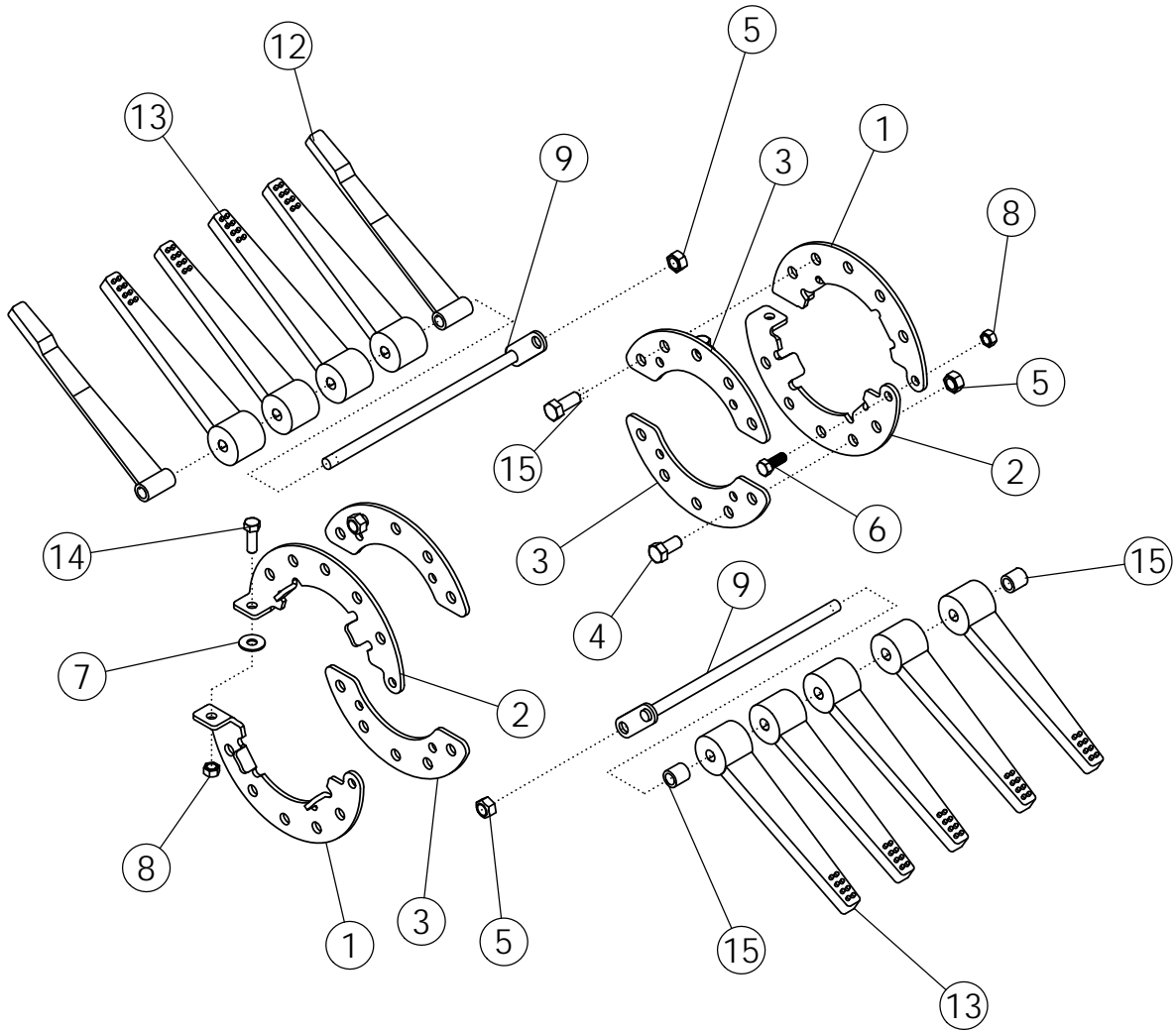
## FLAILS ON #3 DRUM

| ITEM | PART NO. | DESCRIPTION                    | QTY |
|------|----------|--------------------------------|-----|
| 1    | 52062    | FLAIL RING-LH                  | 2   |
| 2    | 52061    | FLAIL RING-RH                  | 2   |
| 3    | 58084    | PLATE-REINFORCEMENT ZP         | 4   |
| 4    | 1032509  | BOLT-HEX: .63 X 1.25 NC GR5 ZP | 2   |
| 5    | 1016595  | NUT-TOPLOCK: .63 NC GR5 ZP     | 8   |
| 6    | 1011606  | BOLT-HEX: .50 X 1.25 NC GR5 ZP | 2   |
| 7    | 1014443  | WASHER-FLAT: .50 ZP            | 2   |
| 8    | 1027461  | NUT-TOPLOCK: .50 NC GR5 ZP     | 4   |
| 9    | 305557   | FLAIL ROD                      | 6   |
| 10   | 1014349  | BOLT-HEX: .63 X 1.50 NC GR5 ZP | 6   |
| 11   | 1011607  | BOLT-HEX: .50 X 1.50 NC GR5 ZP | 2   |
| 12   | 52355    | FLAIL-SWEEP 1 X 13-1/4         | 6   |
| 13   | 52354    | FLAIL-RUBBER 1 X 12 (PREMIER)  | 21  |
| 14   | 51548    | SPACER 1"                      | 6   |



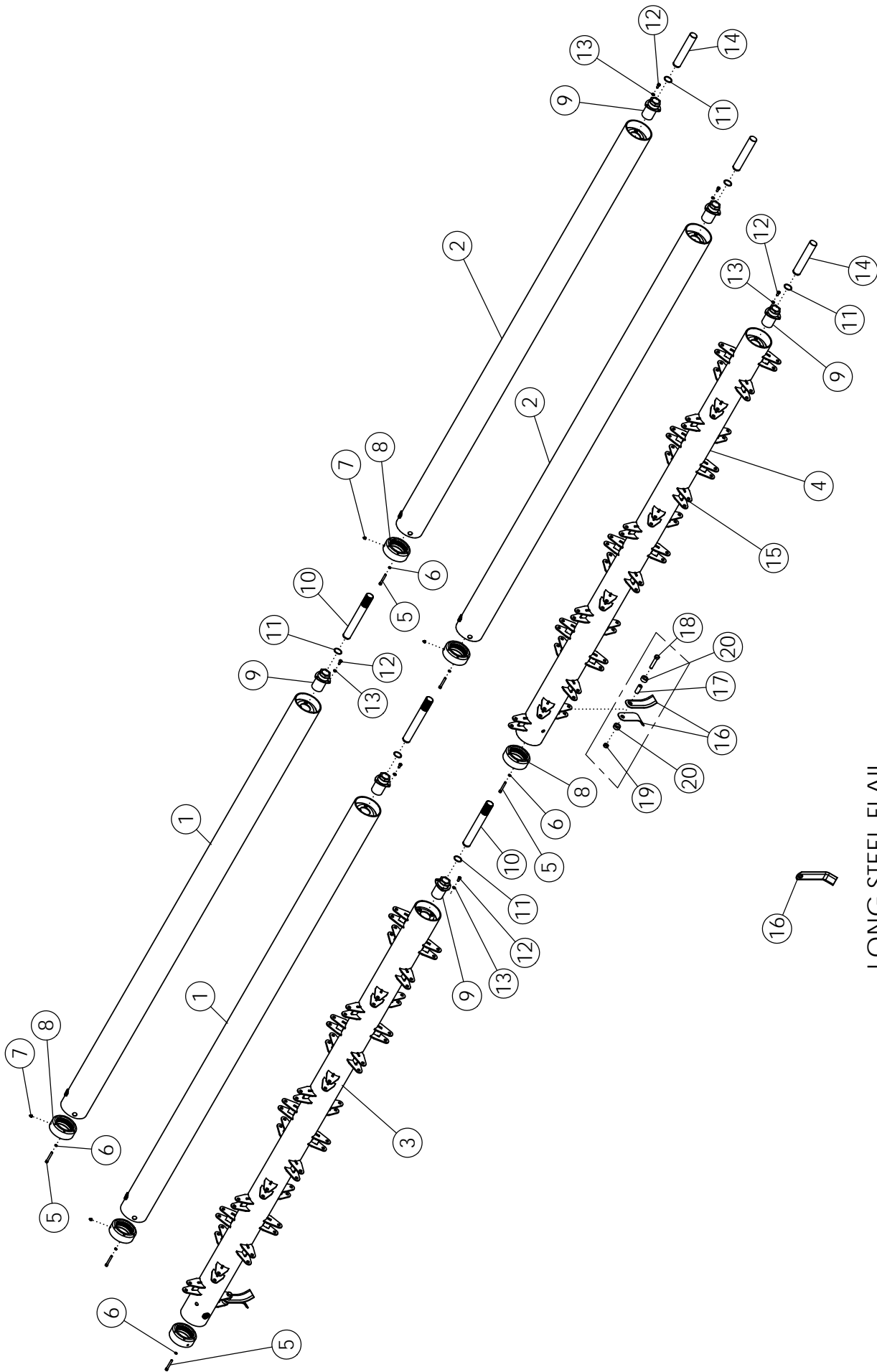
## FLAILS ON #3 DRUM 30" SPACING #52128

| ITEM | PART NO. | DESCRIPTION                    | QTY |
|------|----------|--------------------------------|-----|
| 1    | 52062    | FLAIL RING-LH                  | 2   |
| 2    | 52061    | FLAIL RING-RH                  | 2   |
| 3    | 58084    | PLATE-REINFORCEMENT ZP         | 4   |
| 4    | 1032509  | BOLT-HEX: .63 X 1.25 NC GR5 ZP | 2   |
| 5    | 1016595  | NUT-TOPLOCK: .63 NC GR5 ZP     | 8   |
| 6    | 1011606  | BOLT-HEX: .50 X 1.25 NC GR5 ZP | 2   |
| 7    | 1014443  | WASHER-FLAT: .50 ZP            | 2   |
| 8    | 1027461  | NUT-TOPLOCK: .50 NC GR5 ZP     | 4   |
| 9    | 305557   | FLAIL ROD                      | 6   |
| 10   | 1011623  | BOLT-HEX: .63 X 2.00 NC GR5 ZP | 6   |
| 11   | 1013024  | WASHER-FLAT: .63 ZP            | 6   |
| 12   | 52355    | FLAIL-SWEEP 1 X 13-1/4         | 12  |
| 13   | 58255    | FLAIL-SPLIT TAPER 2 X 12       | 24  |
|      | 52354    | FLAIL-RUBBER 1 X 12            |     |
| 14   | 1011607  | BOLT-HEX: .50 X 1.50 NC GR5 ZP | 2   |



## FLAILS ON #3 DRUM 30" SPACING

| ITEM | PART NO. | DESCRIPTION                    | QTY |
|------|----------|--------------------------------|-----|
| 1    | 52062    | FLAIL RING-LH                  | 2   |
| 2    | 52061    | FLAIL RING-RH                  | 2   |
| 3    | 58084    | PLATE-REINFORCEMENT ZP         | 4   |
| 4    | 1032509  | BOLT-HEX: .63 X 1.25 NC GR5 ZP | 2   |
| 5    | 1016595  | NUT-TOPLOCK: .63 NC GR5 ZP     | 8   |
| 6    | 1011606  | BOLT-HEX: .50 X 1.25 NC GR5 ZP | 2   |
| 7    | 1014443  | WASHER-FLAT: .50 ZP            | 2   |
| 8    | 1027461  | NUT-TOPLOCK: .50 NC GR5 ZP     | 4   |
| 9    | 305557   | FLAIL ROD                      | 6   |
| 10   | 1011623  | BOLT-HEX: .63 X 2.00 NC GR5 ZP | 6   |
| 11   | 1013024  | WASHER-FLAT: .63 ZP            | 6   |
| 12   | 52355    | FLAIL-SWEEP 1 X 13-1/4         | 12  |
| 13   | 52354    | FLAIL-RUBBER 1 X 12            | 27  |
|      | 52356    | FLAIL-STUDED 1 X 12            |     |
| 14   | 1011607  | BOLT-HEX: .50 X 1.50 NC GR5 ZP | 2   |
| 15   | 51549    | SPACER 1"                      | 6   |



LONG STEEL FLAIL

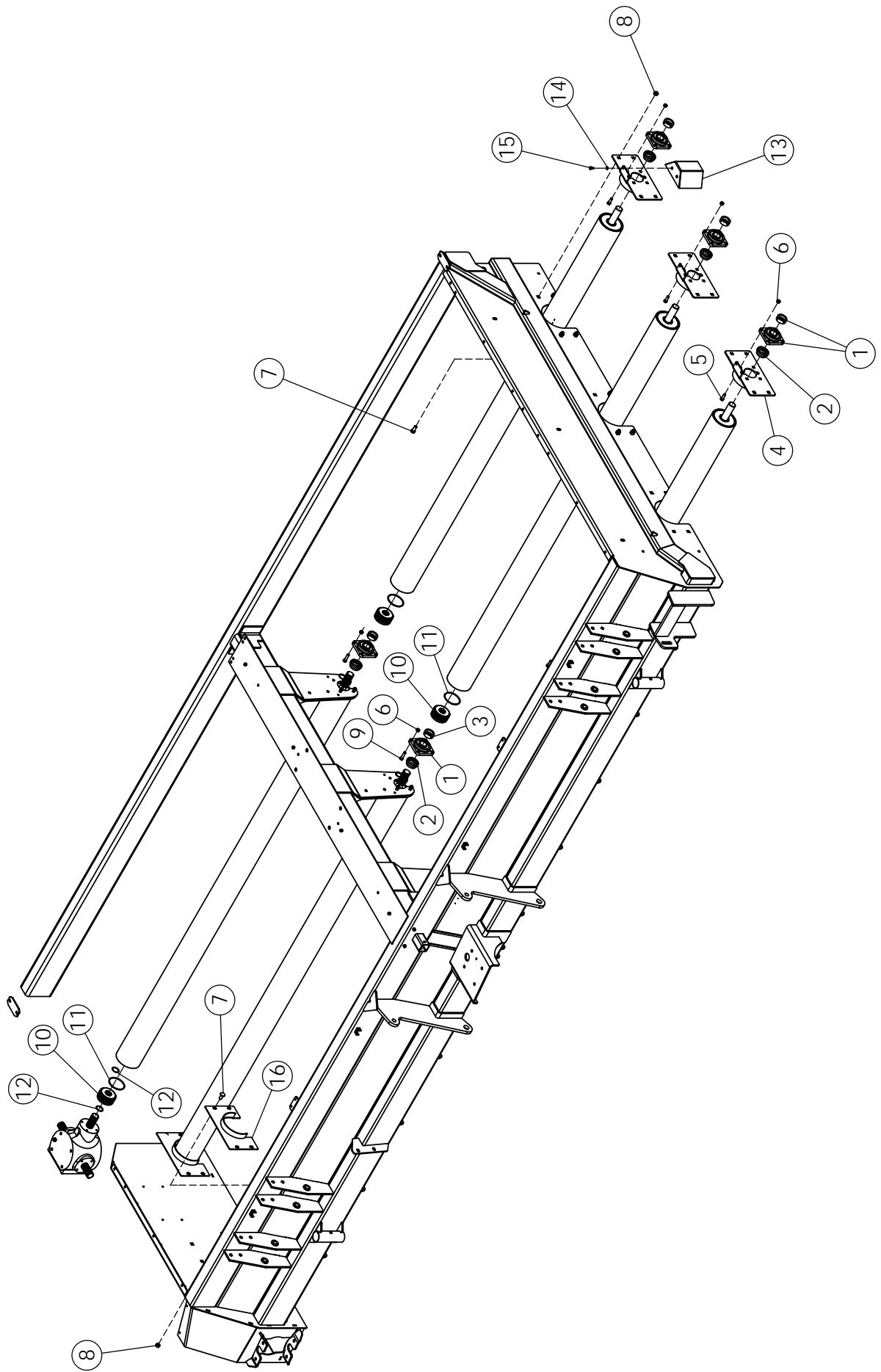
# FLAIL TUBE ASSEMBLY

| ITEM | PART NO. | DESCRIPTION                               | QTY |
|------|----------|---|-----|
| 1    | 68371*   | FLAIL TUBE-RH 1222 TT (COMPLETE)          | 2   |
| 2    | 68375*   | FLAIL TUBE-LH 1222 TT (COMPLETE)          | 2   |
| 3    | 68359    | ASSY-STL DRUM W/FLAILS RH 1222 (COMPLETE) | 1   |
|      | 69977    | ASSY-STL DRUM-LONG RH 1222 (COMPLETE)     |     |
|      | 68560    | ASSY-STL CUP DRMRH (COMPLETE)             |     |
|      | 69981    | ASSY-STL CUP DRMRH LONG (COMPLETE)        |     |
|      | 305274   | ASSY-STL CUP DRMRH 1222 (COMPLETE)        |     |
| 4    | 68365    | ASSY-STL DRUM W/FLAILS-LH 1222 (COMPLETE) | 1   |
|      | 69976    | ASSY-STL DRUM-LONG LH 1222 (COMPLETE)     |     |
|      | 68562    | ASSY-STL CUP DRMLH (COMPLETE)             |     |
|      | 69980    | ASSY-STL CUP DRMLH LONG (COMPLETE)        |     |
|      | 305268   | ASSY-STL CUP DRMLH 1222 (COMPLETE)        |     |
| 5    | 68417    | SCREW: S-H-CAP .38 X 2.75 NC              | 36  |
| 6    | 68418    | WASHER-LOCK: .38 HIGH COLLAR              | 36  |
| 7    | 1030766  | ZERK-GREASE: .13 NPT                      | 6   |
| 8    | 68412    | DRIVE SLEEVE                              | 6   |
| 9    | 64163    | TRANTORQUE: 1.750" X 3.375"               | 6   |
| 10   | 68442    | SHAFT-SPLINED COUPLING                    | 3   |
| 11   | 64184    | RING-RETAINING 1.750"                     | 6   |
| 12   | 1011599  | BOLT-HEX: .38 X .75 NC GR5 ZP             | 18  |
| 13   | 1011586  | WASHER-LOCK: .38 ZP                       | 18  |
| 14   | 68445    | SHAFT-IDLER                               | 3   |

## OPTIONAL L-KNIFE

|    |         |                                |     |
|----|---------|--------------------------------|-----|
| 15 | 68400   | WLDMT-FLAIL HOLDER             | 64  |
| 16 | 58680   | FLAIL-STEEL                    | 128 |
|    | 69199   | FLAIL-STEEL LONG               |     |
| 17 | 68427   | BUSHING-L KNIFE                | 64  |
|    | 305152  | BUSHING-L KNIFE LONG           |     |
| 18 | 65825   | BOLT-HEX: .63 X 3.25 NC GR5 ZP | 64  |
| 19 | 1016595 | NUT-TOPLOCK: .63 NC GR5 ZP     | 64  |
| 20 | 68426   | SPACER- L KNIFE                | 128 |
|    | 305153  | SPACER- L KNIFE LONG           |     |

\* QUANTITY OF 3 ON A NON-STEEL FRONT DRUM

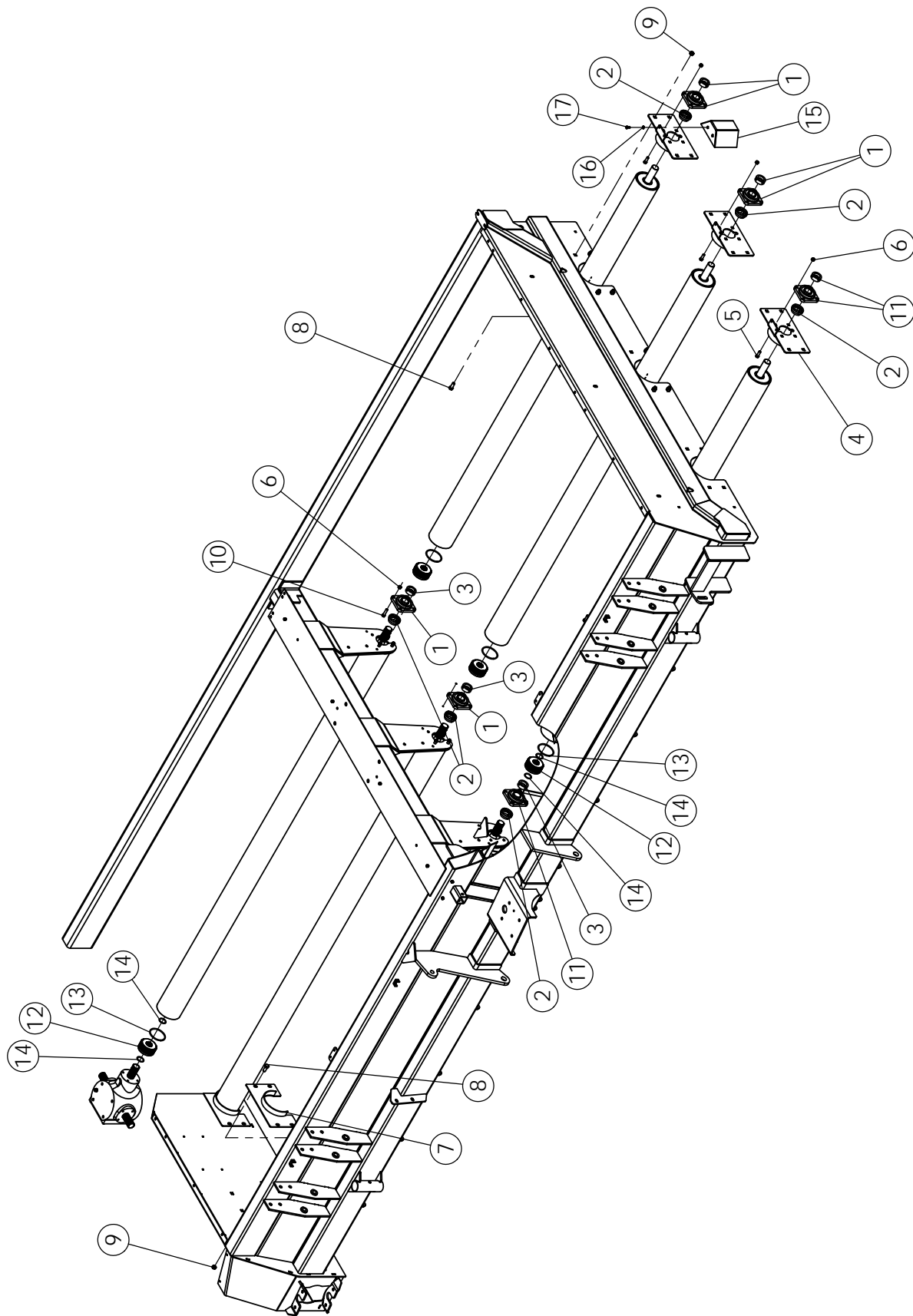




# FLAIL TUBE MOUNTING

| ITEM | PART NO. | DESCRIPTION                    | QTY |
|------|----------|--------------------------------|-----|
| 1    | 52404    | BEARING-FLANGE 1.75            | 6   |
|      | 63506    | BEARING-FLANGE 1-3/4" N-SEAL   |     |
| 2    | 52382    | SEAL PROTECTOR 1.75            | 6   |
| 3    | 52383*   | LOCK PROTECTOR 1.75            | 3   |
| 4    | 68244    | WLDMT-BEARING PLATE            | 3   |
| 5    | 1011660  | BOLT-CRG: .50 X 1.50 NC GR5 ZP | 12  |
| 6    | 1027461  | NUT-TOPLOCK: .50 NC GR5 ZP     | 24  |
| 7    | 72063    | BOLT-CRG: .63 X 1.50 NC GR5 ZP | 24  |
| 8    | 1016595  | NUT-TOPLOCK: .63 NC GR5 ZP     | 24  |
| 9    | 1011609  | BOLT-HEX: .50 X 2.00 NC GR5 ZP | 12  |
| 10   | 68413    | COUPLER-DRIVE                  | 6   |
| 11   | 68414    | O-RING 70 BUNA                 | 6   |
| 12   | 68415    | SNAP RING                      | 12  |
| 13   | 68462    | WLDMT-IDLER SHIELD             | 3   |
| 14   | 1011586  | WASHER-LOCK: .38 ZP            | 6   |
| 15   | 1011599  | BOLT-HEX: .38 X .75 NC GR5 ZP  | 6   |
| 16   | 51809    | WLDMT-SHIELD ANTI-WRAP         | 3   |

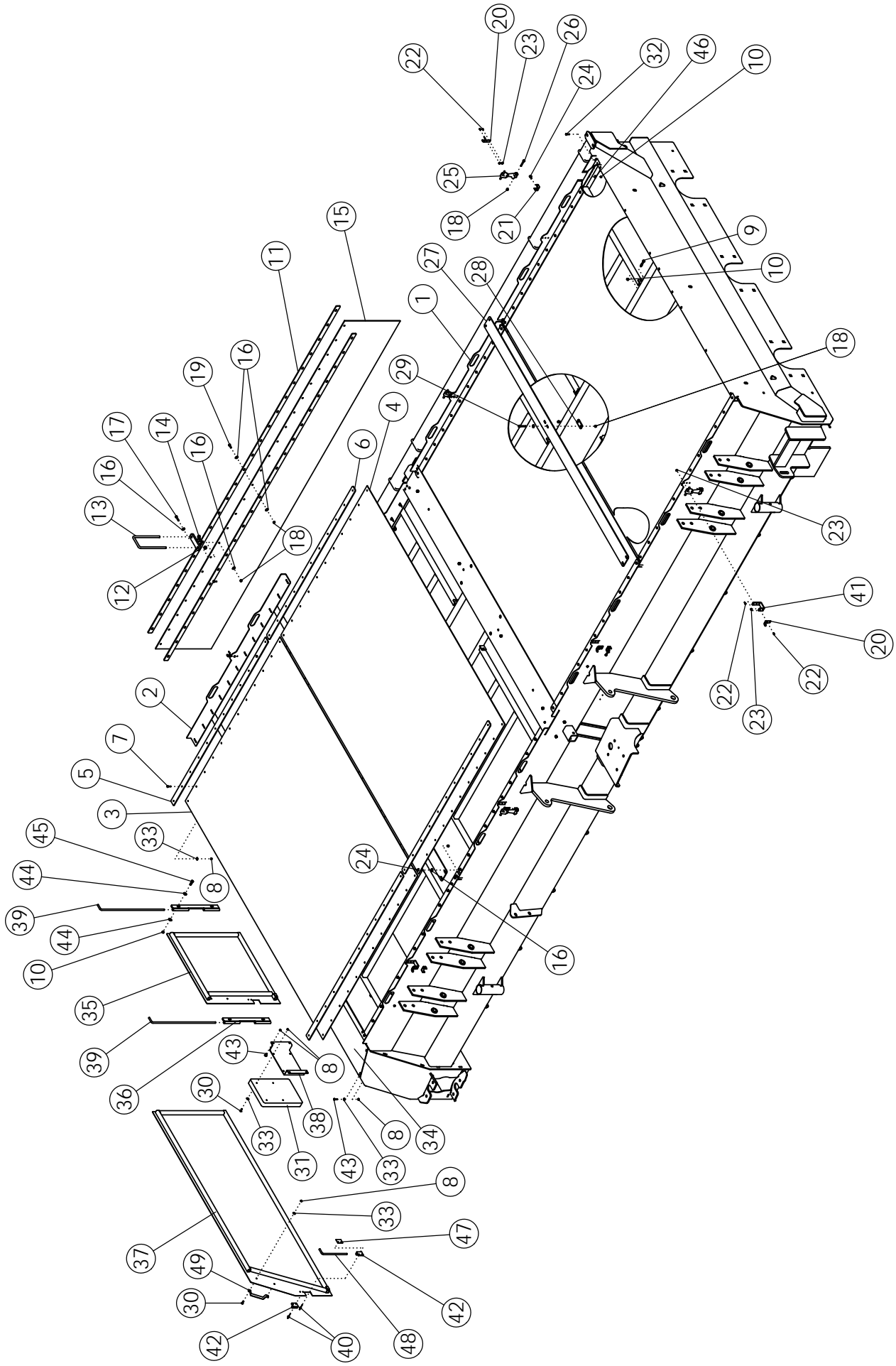
\* Replaces lock collar provided with bearing for the center



## FLAIL TUBE MOUNTING - STEEL FRONT DRUM OPTION

| ITEM | PART NO. | DESCRIPTION                    | QTY |
|------|----------|--------------------------------|-----|
| 1    | 52404    | BEARING-FLANGE 1.75            | 4   |
| 2    | 52382    | SEAL PROTECTOR 1.75            | 6   |
| 3    | 52383*   | LOCK PROTECTOR 1.75            | 3   |
| 4    | 68244    | WLDMT-BEARING PLATE            | 3   |
| 5    | 1011660  | BOLT-CRG: .50 X 1.50 NC GR5 ZP | 12  |
| 6    | 1027461  | NUT-TOPLOCK: .50 NC GR5 ZP     | 24  |
| 7    | 51809    | WLDMT-SHIELD ANTI WRAP NARROW  | 3   |
| 8    | 72063    | BOLT-CRG: .63 X 1.50 NC GR5 ZP | 24  |
| 9    | 1016595  | NUT-TOPLOCK: .63 NC GR5 ZP     | 24  |
| 10   | 1011609  | BOLT-HEX: .50 X 2.00 NC GR5 ZP | 12  |
| 11   | 63506    | BEARING-FLANGE 1.75 N-SEAL     | 2   |
| 12   | 68413    | COUPLER-DRIVE                  | 6   |
| 13   | 68414    | O-RING 70 BUNA                 | 6   |
| 14   | 68415    | SNAP RING                      | 12  |
| 15   | 68462    | WLDMT-IDLER SHIELD             | 3   |
| 16   | 1011586  | WASHER-LOCK: .38               | 6   |
| 17   | 1011599  | BOLT-HEX: .38 X .75 NC GR5 ZP  | 6   |

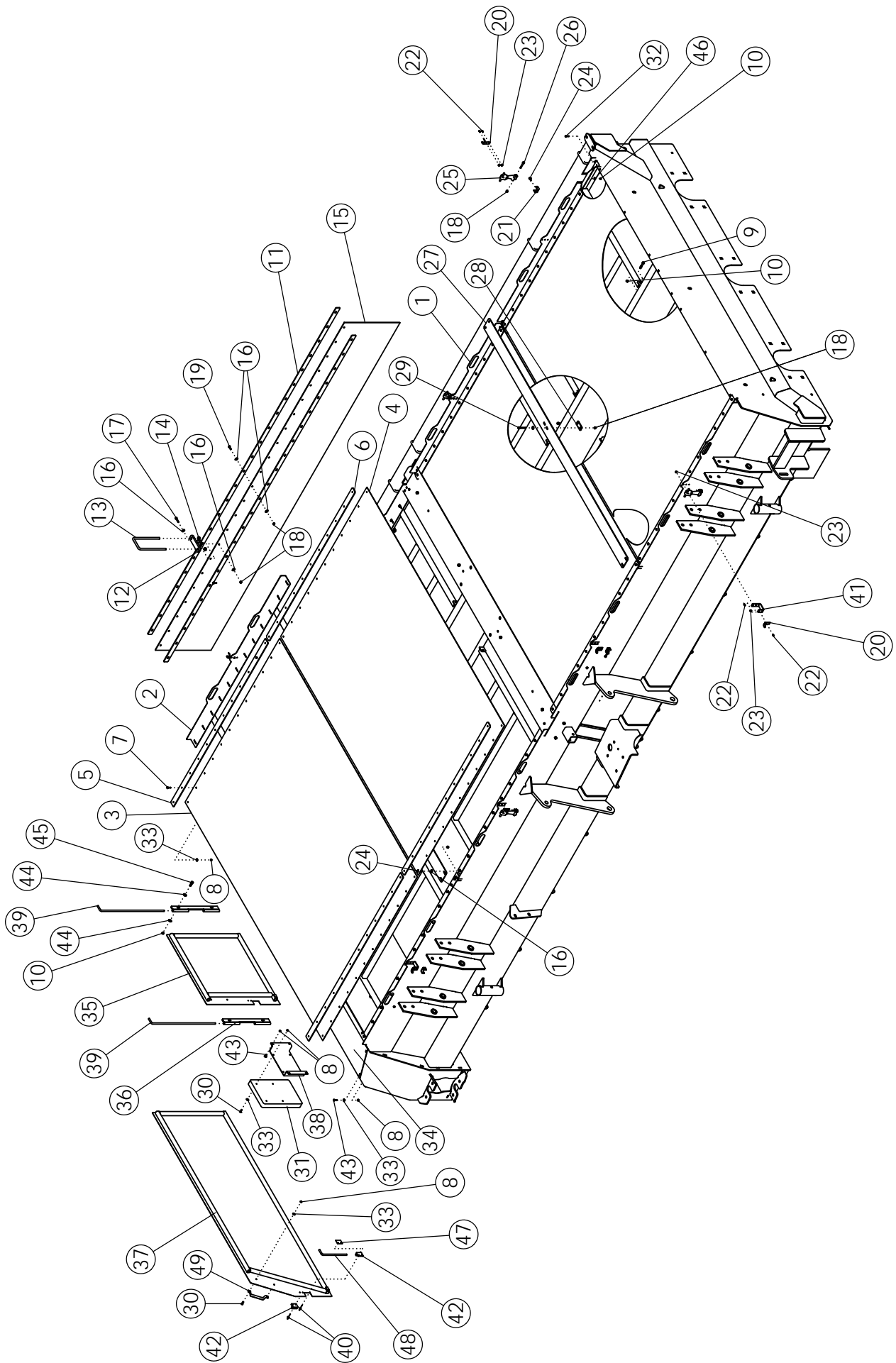
\* Replaces lock collar provided with bearing for the center



# DOORS AND SHIELDS

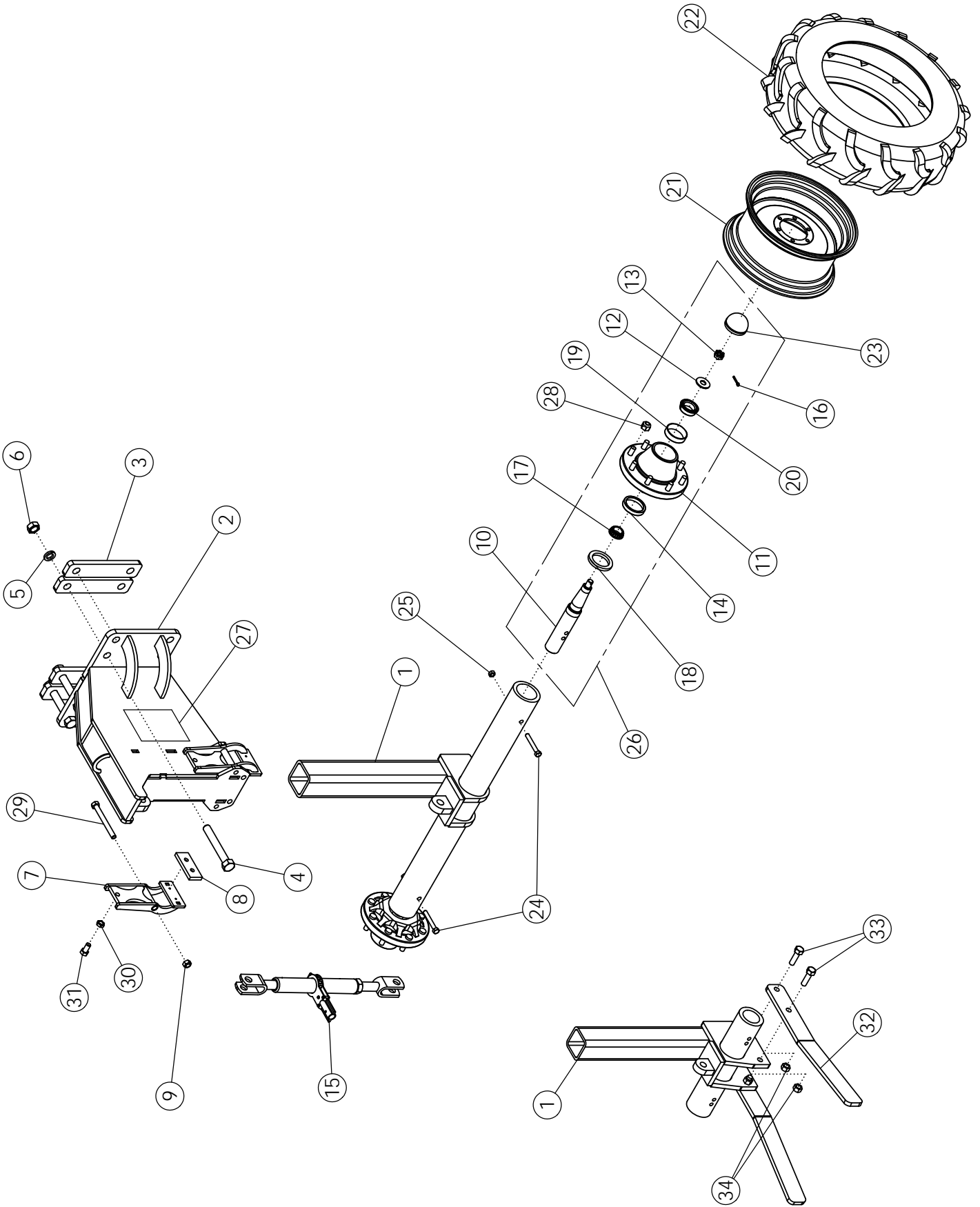
| ITEM | PART NO. | DESCRIPTION                         | QTY |
|------|----------|-------------------------------------|-----|
| 1    | 62509    | WLDMT-DOOR                          | 4   |
| 2    | 62499    | WLDMT-DOOR                          | 4   |
| 3    | 62504    | TARP                                | 2   |
| 4    | 62505    | TARP                                | 2   |
| 5    | 59815    | BRACKET-BOLTING                     | 4   |
| 6    | 62191    | BRACKET-BOLTING                     | 4   |
| 7    | 1013423  | BOLT-HEX: .25 X 1.00 NC GR5 ZP      | 92  |
| 8    | 1030946  | NUT-TOPLOCK: .25 NC GR5 ZP          | 117 |
| 9    | 1011725  | BOLT-HEX: .38 X 2.00 NC GR5 ZP      | 16  |
| 10   | 1016999  | NUT-TOPLOCK: .38 NC GR5 ZP          | 28  |
| 11   | 63446    | BAR-REAR FLAP 0622, 1222            | 4   |
| 12   | 63448    | WLDMT-REAR FLAP MOUNT               | 8   |
| 13   | 63458    | U-BOLT: .50 X 9.25 X 4.00 X 9.25 ZP | 8   |
| 14   | 1027461  | NUT-TOPLOCK: .50 NC GR5 ZP          | 16  |
| 15   | 52357    | FLAP-REAR                           | 2   |
| 16   | 1011583  | WASHER-FLAT: .31 ZP                 | 100 |
| 17   | 1013424  | BOLT-HEX: .31 X 1.75 NC GR5 ZP      | 8   |
| 18   | 1030700  | NUT-TOPLOCK: .31 NC GR5 ZP          | 70  |
| 19   | 1011598  | BOLT-HEX: .31 X 1.00 NC GR5 ZP      | 38  |
| 20   | 52239    | HOOD BRACKET-LARGE                  | 8   |
| 21   | 52237    | ANCHOR BRACKET-LARGE                | 4   |
| 22   | 1013462  | SCREW-R-H-SL: .19 X .50 NC GR2      | 24  |
| 23   | 1026591  | NUT-K-LOCK: .19 NC GR2 ZP           | 24  |
| 24   | 1011597  | BOLT-HEX: .31 X .75 NC GR5 ZP       | 12  |
| 25   | 52238    | RUBBER HOOK LARGE                   | 8   |
| 26   | 1011285  | BOLT-HEX: .31 X 2.00 NC GR5 ZP      | 8   |
| 27   | 68245    | PLATE-SPLICE                        | 2   |
| 28   | 62182    | PLATE-BOLTING                       | 2   |
| 29   | 1016132  | BOLT-HEX: .31 X 2.25 NC GR5 ZP      | 4   |
| 30   | 1011595  | BOLT-HEX: .25 X .75 NC GR5 ZP       | 8   |
| 31   | 64635    | CASE-MANUAL STORAGE                 | 1   |
| 32   | 1016362  | BOLT-CRG: .38 X 1.25 NC GR5 ZP      | 8   |
| 33   | 1020416  | WASHER-FLAT: .25 ZP                 | 106 |
| 34   | 68201    | PANEL-TOP SHIELD                    | 1   |
| 35   | 68386    | WLDMT-REAR SIDE DOOR                | 1   |
| 36   | 72680    | WLDMT-DOOR HINGE                    | 2   |
| 37   | 68387    | WLDMT-FRONT SIDE DOOR               | 1   |
| 38   | 68324    | PLATE-DEF MANUAL CASE               | 1   |
| 39   | 51303    | DOOR HINGE ROD ZP                   | 2   |
| 40   | 1011974  | RIVET-POP: .19 X .531 ZP            | 4   |

CONTINUED



## DOORS AND SHIELDS (CONTINUED)

| ITEM | PART NO. | DESCRIPTION                         | QTY |
|------|----------|-------------------------------------|-----|
| 41   | 68320    | TARP BRACKET                        | 4   |
| 42   | 69140    | WLDMT-DOOR LATCH                    | 4   |
| 43   | 68602    | BOLT-CRG: .25 X .75 NC GR5 ZP       | 17  |
| 44   | 1011828  | WASHER-FLAT: .38 ZP                 | 16  |
| 45   | 1011601  | BOLT-HEX: .38 X 1.25 NC GR5 ZP      | 4   |
| 46   | 68992    | PLATE-DOOR CROSS LH 12R             | 1   |
|      | 68993    | PLATE-DOOR CROSS RH 12R (NOT SHOWN) | 1   |
| 47   | 69141    | PLATE-DOOR LATCH SPACER             | 2   |
| 48   | 51304    | DOOR LOCK ZP                        | 2   |
| 49   | 68715    | HANDLE-GRAB DOOR                    | 2   |

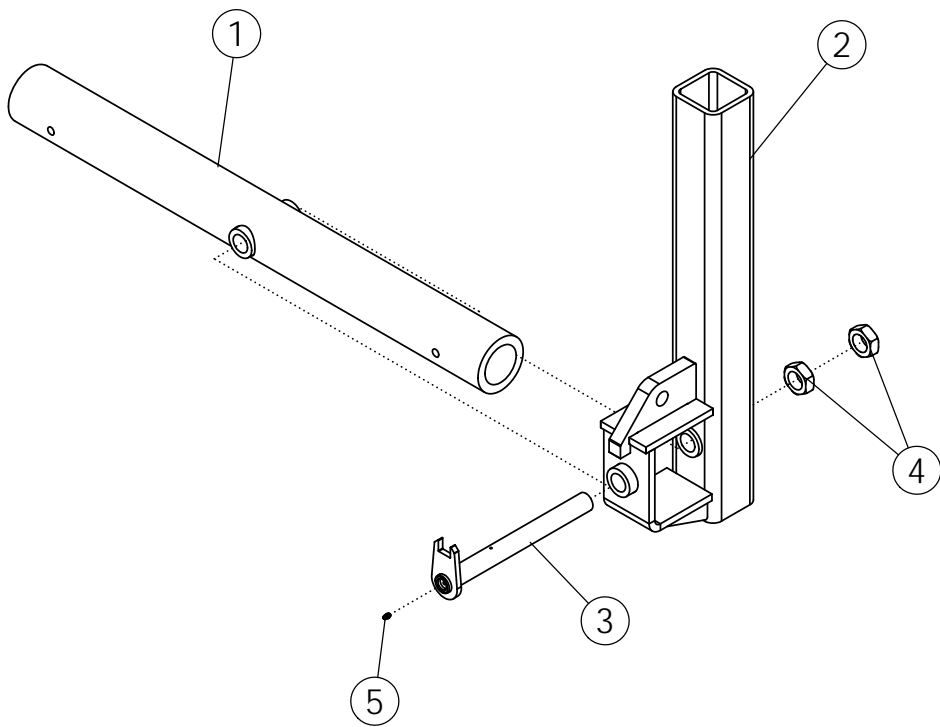




## STANDARD REAR STRUTS - 11.2 X 24 TIRES

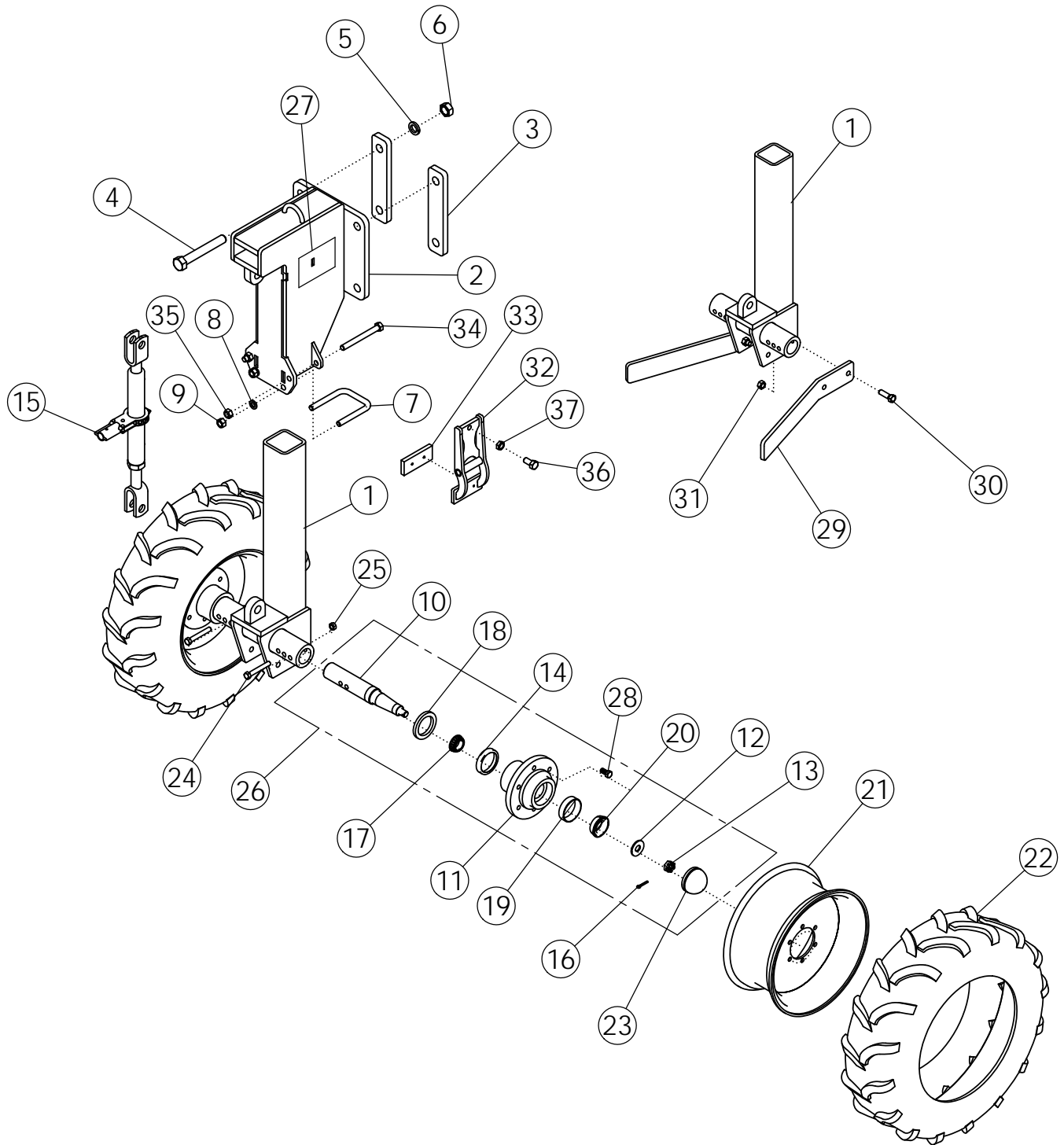
| ITEM | PART NO. | DESCRIPTION                         | QTY |
|------|----------|-------------------------------------|-----|
| 1    | 68331    | WLDMT-SPINDLE HOUSING (44")         | 1   |
|      | 68236    | WLDMT-SPINDLE HOUSING (NARROW)      | 1   |
|      | 68766    | WLDMT-SPINDLE HOUSING- 6" OFFSET RH | 1   |
|      | 68767    | WLDMT-SPINDLE HOUSING- 6" OFFSET LH | 1   |
|      | 69434    | ASSY-OSC SPINDLE HOUSING (44")      | 1   |
| 2    | 68332    | WLDMT-STD STRUT UPPER               | 1   |
| 3    | 58408    | BAR - BOLTING                       | 4   |
| 4    | 1018839  | BOLT-HEX: 1.00 X 7.00 NC GR8 ZP     | 8   |
| 5    | 1013539  | WASHER-LOCK: 1.00 ZP                | 8   |
| 6    | 1012664  | NUT-HEX: 1.00 NC GR2 ZP             | 8   |
| 7    | 69956    | WLDMT- DEF STRUT CLAMP              | 2   |
| 8    | 69971    | PLASTIC-STRUT CLAMP                 | 2   |
| 9    | 1016595  | NUT-TOPLOCK: .63 NC GR5 ZP          | 2   |
| 10   | 52954*   | SPINDLE                             | 2   |
| 11   | 53623*   | HUB-WHEEL 8-BOLT                    | 2   |
| 12   | 1030728* | WASHER-FLAT: .SAE 1.000 ZP          | 2   |
| 13   | 1030726* | NUT-SPINDLE: 1.00 NF                | 2   |
| 14   | 53622*   | BEARING CUP INNER                   | 2   |
| 15   | 52407    | RATCHET JACK-PAINTED                | 1   |
| 16   | 1030797* | PIN-COTTER: .19 X 1.75 NP           | 2   |
| 17   | 53621*   | BEARING CONE INNER                  | 2   |
| 18   | 53619*   | SEAL                                | 2   |
| 19   | 52243*   | BEARING CUP OUTER                   | 2   |
| 20   | 53620*   | BEARING CONE OUTER                  | 2   |
| 21   | 56903    | WHEEL W10 X 24 8 BOLT               | 2   |
| 22   | 56976    | TIRE 11.2-24 10 PLY R1              | 2   |
|      | 68973    | TUBE-REPAIR 11.2-24 ( NOT SHOWN)    | AR  |
| 23   | 53624*   | CAP-HUB                             | 2   |
| 24   | 1011618  | BOLT-HEX: .50 X 5.00 NC GR5 ZP      | 2   |
| 25   | 1027461  | NUT-TOPLOCK: .50 NC GR5 ZP          | 2   |
| 26   | 53167    | ASSY HUB & SPINDLE                  | 2   |
| 27   | 52248    | DECAL-CAUTION                       | 1   |
| 28   | 53625*   | NUT-WHEEL: .63-18NF                 | 16  |
| 29   | 1013068  | BOLT-HEX .63 X 6.00 NC GR5 ZP       | 2   |
| 30   | 66336    | NUT-JAM: .63 NF GR2 ZP              | 2   |
| 31   | 1030703  | BOLT-HEX: .63 X 1.25 NF GR5 ZP      | 2   |
| 32   | 305640   | PLATE-SCRAPER 11.2-24 DEF           | 2   |
| 33   | 1016598  | BOLT- .75 X 2.50 NC GR5 ZP          | 4   |
| 34   | 1017000  | NUT-TOPLOCK: .75 NC GR5 ZP          | 4   |

\* Items are included in Item 26



# OSCILLATING SPINDLE HOUSING ASSEMBLY

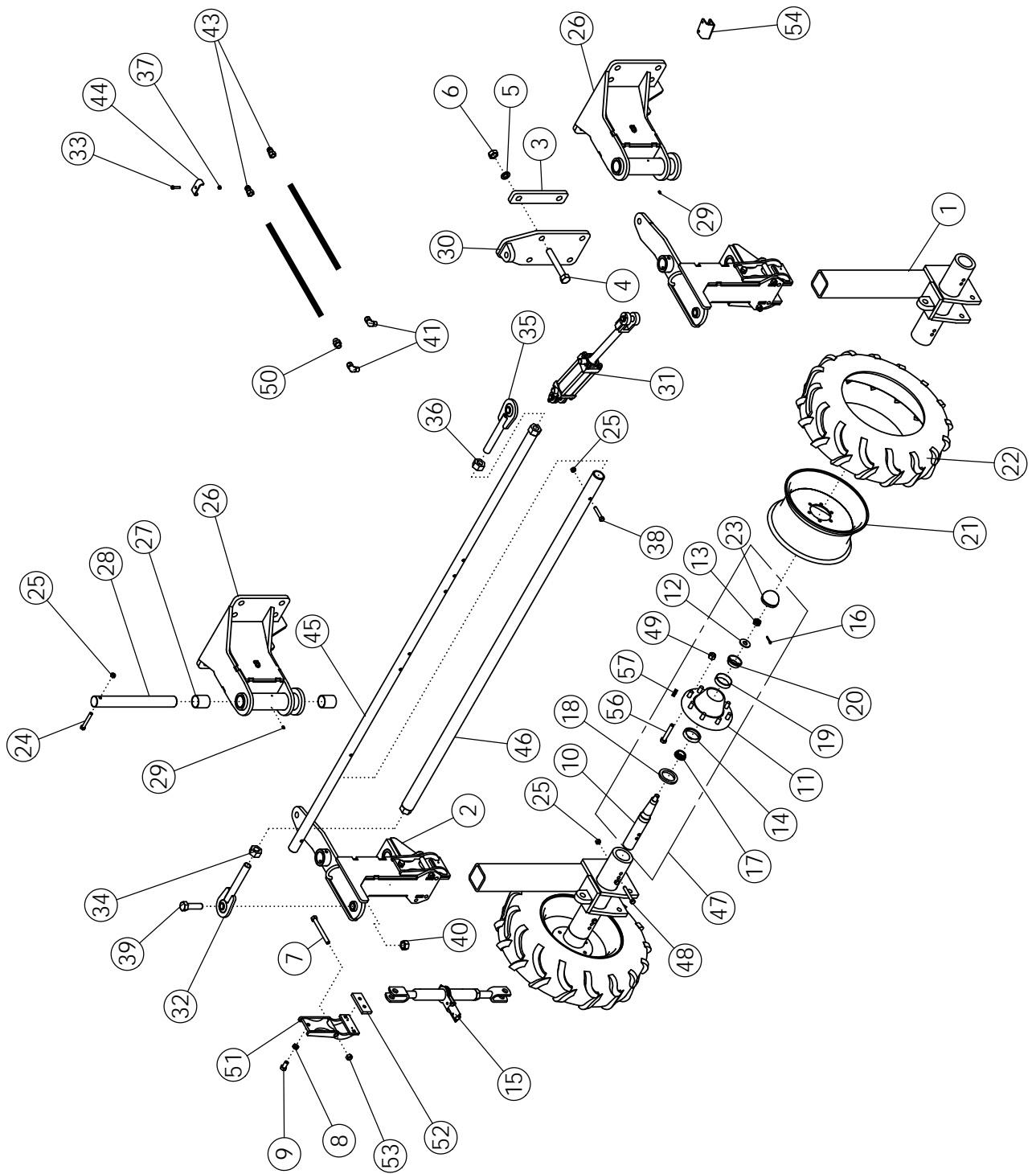
| ITEM | PART NO. | DESCRIPTION             | QTY |
|------|----------|-------------------------|-----|
| 1    | 69438    | WLDMT-OSC TUBE          | 1   |
| 2    | 69444    | WLDMT-OSC STRUT         | 1   |
| 3    | 69446    | WLDMT-FLAG PIN ZP       | 1   |
| 4    | 65864    | NUT-JAM: 1.25 NF GR2 ZP | 2   |
| 5    | 1011748  | ZERK - GREASE           | 1   |



## STANDARD REAR STRUTS - 7.60 X 15 TIRES

| ITEM | PART NO. | DESCRIPTION                                   | QTY |
|------|----------|---|-----|
| 1    | 58281    | WLDMT-SPINDLE HOUSING                         | 1   |
|      | 64402    | WLDMT-SPINDLE HOUSING- 6" OFFSET RH           | 1   |
|      | 64406    | WLDMT-SPINDLE HOUSING- 6" OFFSET LH           | 1   |
| 2    | 63559    | WLDMT-STD STRUT UPPER                         | 1   |
| 3    | 58408    | BAR - BOLTING                                 | 2   |
| 4    | 1018839  | BOLT-HEX: 1.00 X 7.00 NC GR8 ZP               | 4   |
| 5    | 1013539  | WASHER-LOCK: 1.00 ZP                          | 4   |
| 6    | 1012664  | NUT-HEX: 1.00 NC GR2 ZP                       | 4   |
| 7    | 60547    | U-BOLT: .63 X 5.25 X 4.00 X 5.25              | 1   |
| 8    | 1011813  | WASHER-LOCK: .63 ZP                           | 2   |
| 9    | 1011578  | NUT-HEX: .63 NC GR2 ZP                        | 2   |
| 10   | 52138*   | SPINDLE                                       | 2   |
| 11   | 52247*   | HUB-WHEEL 6-BOLT                              | 2   |
| 12   | 1012377* | WASHER-SPINDLE: .81 X 2.00 NP                 | 2   |
| 13   | 1012376* | NUT-SLOTTED: .75 NF GR5 NP                    | 2   |
| 14   | 52243*   | CUP-BEARING INNER                             | 2   |
| 15   | 52407    | RATCHET JACK-PAINTED                          | 1   |
| 16   | 1012375* | PIN-COTTER: .19 X 1.50 NP                     | 2   |
| 17   | 52245*   | CONE-BEARING INNER                            | 2   |
| 18   | 52242*   | SEAL  | 2   |
| 19   | 52244*   | CUP-BEARING OUTER                             | 2   |
| 20   | 52246*   | CONE-BEARING OUTER                            | 2   |
| 21   | 52411    | WHEEL 6.00-15 6 BOLT                          | 2   |
| 22   | 52410    | TIRE 7.60-15 I-3 6 PLY                        | 2   |
|      | 68974    | TUBE-REPAIR 7.60-15 (NOT SHOWN)               | AR  |
| 23   | 52241*   | CAP-HUB                                       | 2   |
| 24   | 1011612  | BOLT-HEX: .50 X 3.50 NC GR5 ZP                | 2   |
| 25   | 1027461  | NUT-TOPLOCK: .50 NC GR5 ZP                    | 2   |
| 26   | 52116    | ASSY HUB & SPINDLE                            | 2   |
| 27   | 52248    | DECAL-CAUTION                                 | 1   |
| 28   | 1013426* | BOLT-LUG: .50 X 1.00 NF GR5 ZP                | 12  |
| 29   | 305642   | PLATE-SCRAPER 7.6-15 DEF                      | 2   |
| 30   | 1011623  | BOLT-HEX: .63 X 2.00 NC GR5 ZP                | 4   |
| 31   | 1016595  | NUT-TOPLOCK: .63 NC GR5 ZP                    | 4   |
| 32   | 69956    | WLDMT- DEF STRUT CLAMP                        | 2   |
| 33   | 69971    | PLASTIC-STRUT CLAMP                           | 2   |
| 34   | 1013068  | BOLT-HEX: .63 X 6.00 NC GR5 ZP                | 2   |
| 35   | 1016595  | NUT-TOPLOCK: .63 NC GR5 ZP                    | 2   |
| 36   | 1030703  | BOLT-HEX: .63 X 1.25 NF GR5 ZP                | 2   |
| 37   | 66336    | NUT-JAM: .63 NF GR2 ZP                        | 2   |
| 38   | 69987    | SCREW-MACH: FH-TORX .25-20 X 1.00 (NOT SHOWN) | 4   |

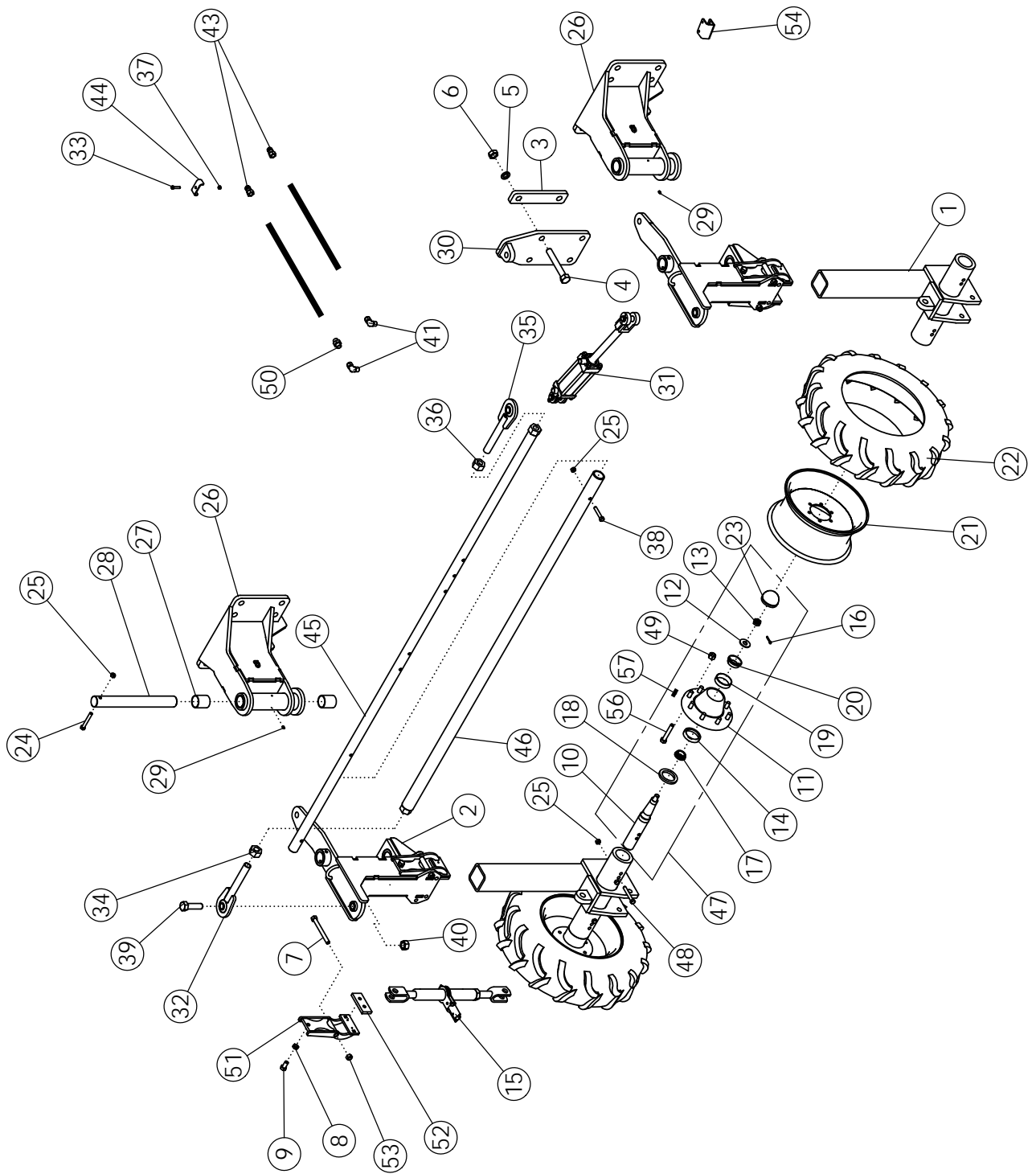
\* Items are included in Item 26



# STEERABLE REAR STRUTS - 11.2 X 24 TIRES

| ITEM | PART NO. | DESCRIPTION                     | QTY |
|------|----------|---------------------------------|-----|
| 1    | 68236    | WLDMT-SPINDLE HOUSING (NARROW)  | 2   |
| 2    | 68237    | WLDMT-STEERABLE STRUT UPPER     | 2   |
| 3    | 58408    | BAR - BOLTING                   | 10  |
| 4    | 1018839  | BOLT-HEX: 1.00 X 7.00 NC GR8 ZP | 20  |
| 5    | 1013539  | WASHER-LOCK: 1.00 ZP            | 20  |
| 6    | 1012664  | NUT-HEX: 1.00 NC GR2 ZP         | 20  |
| 7    | 1013068  | BOLT-HEX .63 X 6.00 NC GR5 ZP   | 2   |
| 8    | 66336    | NUT-JAM: .63 NF GR2 ZP          | 2   |
| 9    | 1030703  | BOLT-HEX: .63 X 1.25 NF GR5 ZP  | 2   |
| 10   | 52954*   | SPINDLE                         | 4   |
| 11   | 53623*   | HUB-WHEEL 8 BOLT                | 4   |
| 12   | 1030728* | WASHER-FLAT: SAE 1.00 ZP        | 4   |
| 13   | 1030726* | NUT-SPINDLE: 1.00 NF NP         | 4   |
| 14   | 53622*   | BEARING CUP INNER               | 2   |
| 15   | 52407    | RATCHET JACK-PAINTED            | 2   |
| 16   | 1030797* | PIN-COTTER: .19 X 1.75 NP       | 4   |
| 17   | 53621*   | BEARING CONE INNER              | 4   |
| 18   | 53619*   | SEAL                            | 4   |
| 19   | 52243*   | BEARING CUP OUTER               | 4   |
| 20   | 53620*   | BEARING CONE OUTER              | 4   |
| 21   | 56903    | WHEEL W10 X24 8 BOLT            | 4   |
| 22   | 56976    | TIRE 11.2-24 10 PLY R1          | 4   |
|      | 68973    | TUBE-REPAIR 11.2-24 (NOT SHOWN) | AR  |
| 23   | 53624*   | CAP-HUB                         | 4   |
| 24   | 1011612  | BOLT-HEX: .50 X 3.50 GR5 ZP     | 2   |
| 25   | 1027461  | NUT-TOPLOCK: .50 NC GR5 ZP      | 7   |
| 26   | 305925   | WLDMT-PIVOT MOUNT               | 2   |
| 27   | 59204    | BUSHING - BORED                 | 4   |
| 28   | 58274    | SHAFT                           | 2   |
| 29   | 1011748  | ZERK - GREASE                   | 4   |
| 30   | 68234    | WLDMT-CYLINDER BRACKET          | 1   |
| 31   | 62319    | CYLINDER HYDRAULIC 2 X 4        | 1   |
|      | 69654    | SEAL KIT FOR 62319              |     |
| 32   | 58203    | WLDMT-TIE ROD END LH            | 1   |
| 33   | 1014124  | BOLT-HEX: .31 X 1.50 NC GR5 ZP  | 2   |
| 34   | 1030729  | NUT-HEX: 1.25 NC GR2 LH ZP      | 1   |
| 35   | 58186    | WLDMT-TIE ROD END RH            | 1   |
| 36   | 1011621  | NUT-HEX: 1.25 NC GR2 ZP         | 1   |
| 37   | 1030700  | NUT-TOPLOCK: .31 NC GR5 ZP      | 2   |
| 38   | 1016858  | BOLT-HEX: .50 X 2.75 NC GR5 ZP  | 1   |
| 39   | 1011626  | BOLT-HEX: 1.00 X 3.50 NC GR5 ZP | 2   |

CONTINUED



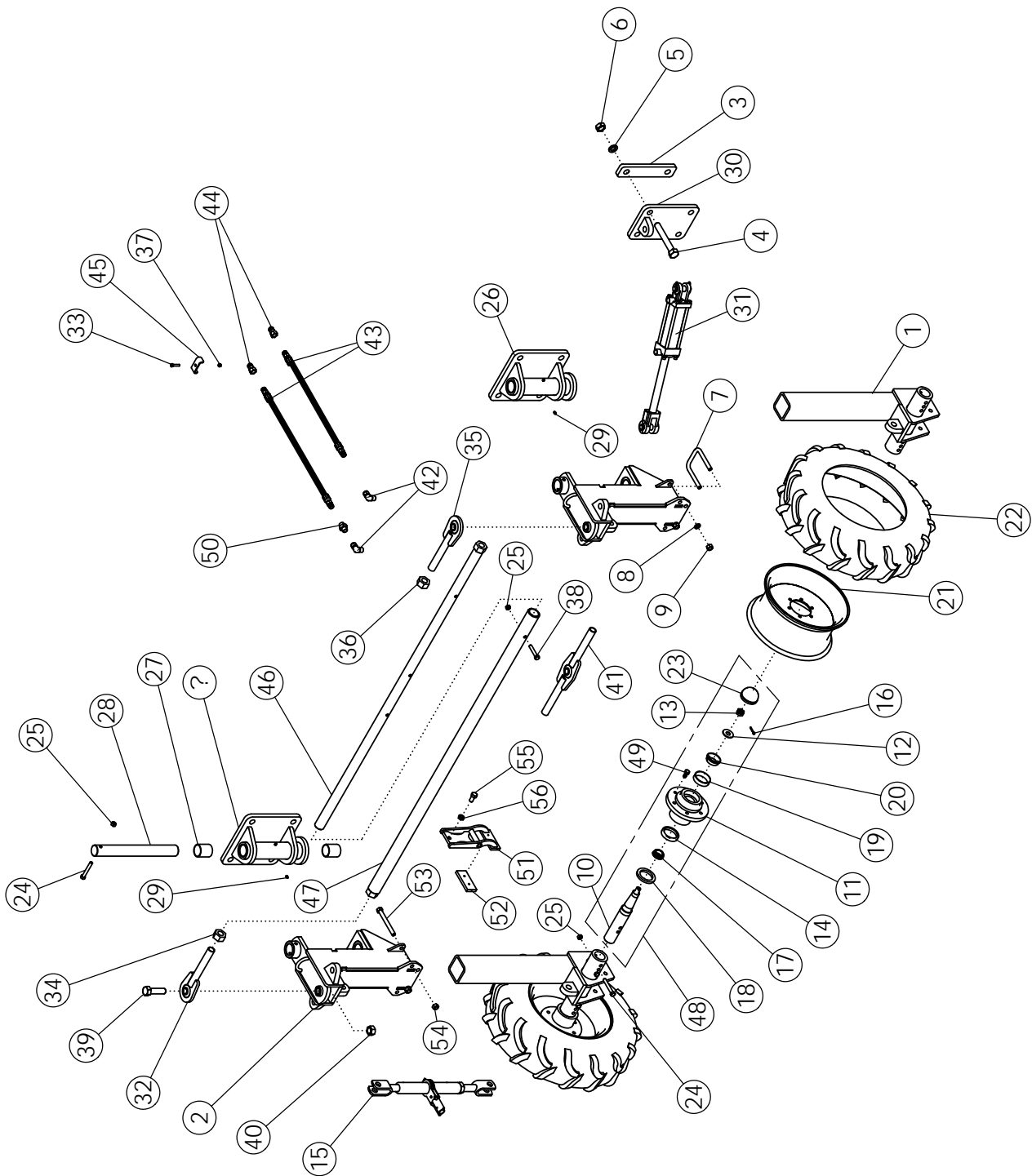


# STEERABLE REAR STRUTS - 11.2 X 24 TIRES (CONTINUED)

| ITEM              | PART NO. | DESCRIPTION                       | QTY |
|-------------------|----------|-----------------------------------|-----|
| 40                | 1016969  | NUT-TOPLOCK: 1.00 NC GR5 ZP       | 2   |
| 41                | 1026247  | FTG-ELBOW: 6MP-8MJ 90             | 2   |
| 42                | 300032   | HOSE: .50 X 276 8MB-8FJX          | 2   |
| 43                | 36290    | PIONEER TIP 8010-15P (#8 ORB)     | 2   |
| 44                | 50714    | CLAMP 1/2" ZP                     | 2   |
| 45                | 58488    | WLDMT-TIE ROD MALE 85"            | 1   |
| 46                | 58486    | WLDMT-TIE ROD FEMALE 85"          | 1   |
| 47                | 53167    | ASSY-HUB & SPINDLE                | 4   |
| 48                | 1011618  | BOLT-HEX: .50 X 5.00 NCGR5 ZP     | 4   |
| 49                | 53625*   | NUT-WHEEL: .63-18NF               | 32  |
| 50                | 300030   | FTG-RESTRICTOR 8MJ-8FJX .062      | 1   |
| 51                | 69956    | WLDMT- DEF STRUT CLAMP            | 2   |
| 52                | 69971    | PLASTIC-STRUT CLAMP               | 2   |
| 53                | 1016595  | NUT-TOPLOCK: .63 NC GR5 ZP        | 2   |
| 55                | 69987    | SCREW-MACH: FH-TORX 1/4-20 X 1.00 | 4   |
| 56                | 54393    | STUD-HUB BOLT                     | 8   |
| 57                | 301490   | SELF TAPPING GREASE FITTING       | 1   |
| <b>WIDE (44")</b> |          |                                   |     |

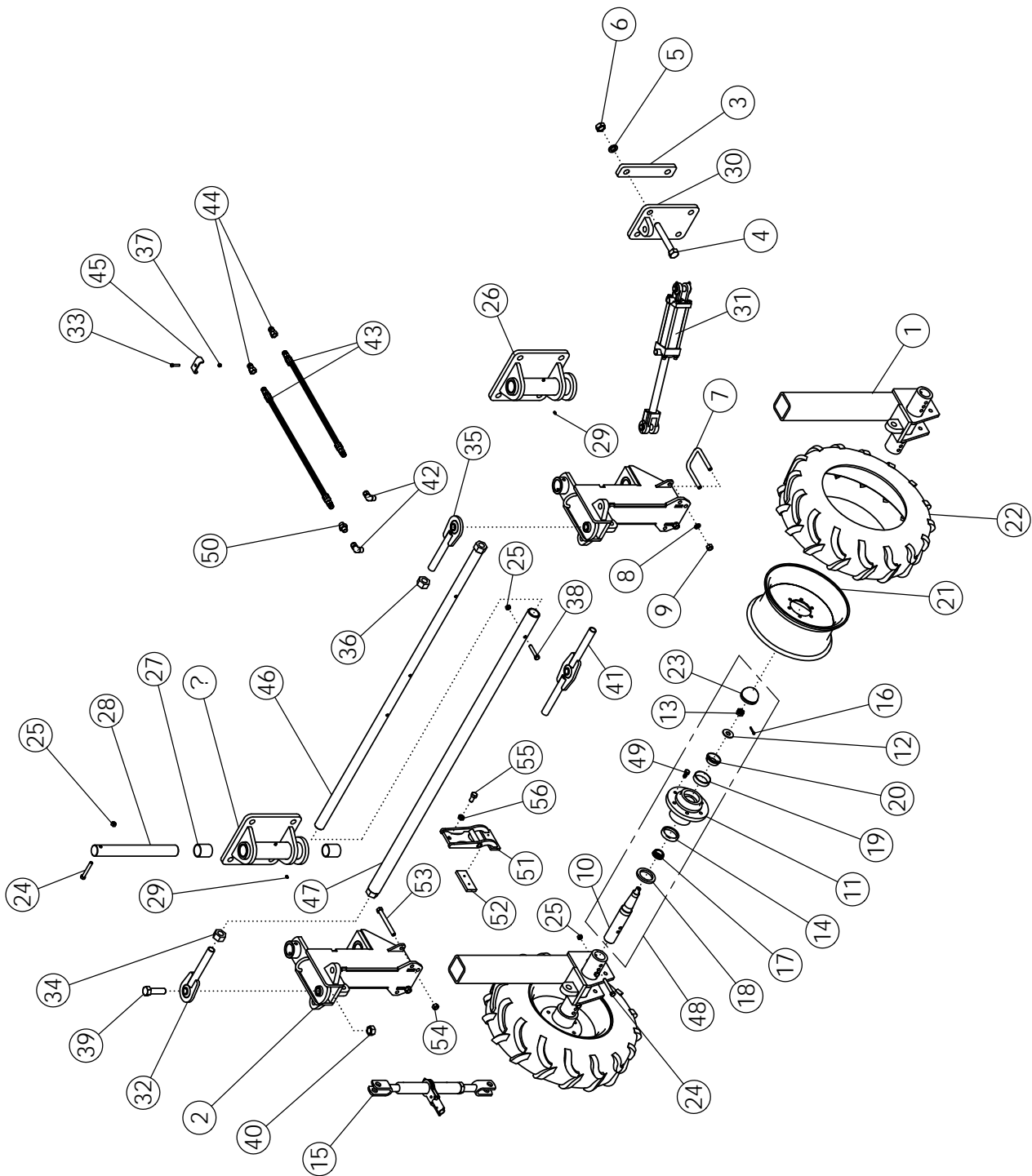
|    |       |                             |   |
|----|-------|-----------------------------|---|
| 1  | 68331 | WLDMT-SPINDLE HOUSING (44") | 2 |
| 31 | 58890 | CYLINDER-HYDRAULIC 3 X 8    | 1 |
| 54 | 68769 | WLDMT-3" CYLINDER STOP      | 1 |

\* Items are included in Item 47



# STEERABLE REAR STRUTS - 7.60 X 15 TIRES

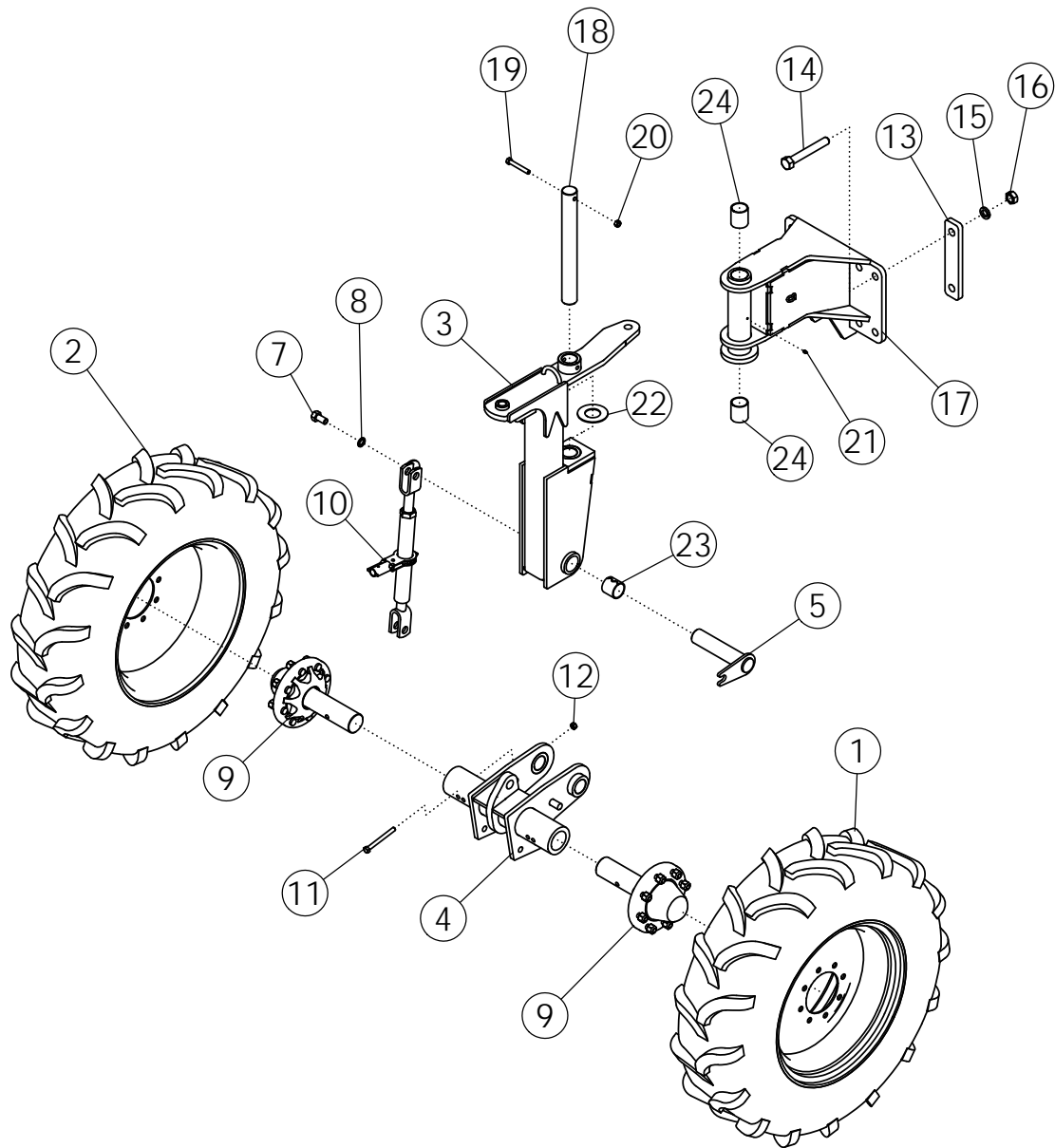
| ITEM | PART NO. | DESCRIPTION                      | QTY |
|------|----------|----------------------------------|-----|
| 1    | 58281    | WLDMT-SPINDLE HOUSING            | 4   |
| 2    | 63558    | WLDMT-STEERABLE STRUT UPPER      | 4   |
| 3    | 58408    | BAR - BOLTING                    | 10  |
| 4    | 1018839  | BOLT-HEX: 1.00 X 7.00 NC GR8 ZP  | 20  |
| 5    | 1013539  | WASHER-LOCK: 1.00 ZP             | 20  |
| 6    | 1012664  | NUT-HEX: 1.00 NC GR2 ZP          | 20  |
| 7    | 60547    | U-BOLT: .63 X 5.25 X 4.00 X 5.25 | 4   |
| 8    | 1011813  | WASHER-LOCK: .63 ZP              | 8   |
| 9    | 1011578  | NUT-HEX: .63 NC GR2 ZP           | 8   |
| 10   | 52138*   | SPINDLE                          | 8   |
| 11   | 52247*   | HUB-WHEEL 6 BOLT                 | 8   |
| 12   | 1012377* | WASHER-SPINDLE: .81 X 2.00 NP    | 8   |
| 13   | 1012376* | NUT-SLOTTED: .75 NF GR5 NP       | 8   |
| 14   | 52243*   | BEARING CUP-INNER                | 8   |
| 15   | 52407    | RATCHET JACK-PAINTED             | 4   |
| 16   | 1012375* | PIN-COTTER: .19 X 1.50 NP        | 8   |
| 17   | 52245*   | BEARING CONE-INNER               | 8   |
| 18   | 52242*   | SEAL                             | 8   |
| 19   | 52244*   | BEARING-CUP OUTER                | 8   |
| 20   | 52246*   | BEARING-CONE OUTER               | 8   |
| 21   | 52411    | WHEEL 6.00-15 6 BOLT             | 8   |
| 22   | 52410    | TIRE 7.60-15 I-3 6 PLY           | 8   |
|      | 68974    | TUBE-REPAIR 7.60-15 (NOT SHOWN)  | AR  |
| 23   | 52241*   | CAP-HUB                          | 8   |
| 24   | 1011612  | BOLT-HEX: .50 X 3.50 GR5 ZP      | 12  |
| 25   | 1027461  | NUT-TOPLOCK: .50 NC GR5 ZP       | 15  |
| 26   | 58283    | WLDMT-PIVOT MOUNT                | 4   |
| 27   | 59204    | BUSHING - BORED                  | 8   |
| 28   | 58274    | SHAFT                            | 4   |
| 29   | 1011748  | ZERK - GREASE                    | 8   |
| 30   | 58410    | WLDMT-CYLINDER BRACKET           | 1   |
| 31   | 62319    | CYLINDER HYDRAULIC 2 X 4         | 1   |
|      | 69654    | SEAL KIT FOR 62319               |     |
| 32   | 58203    | WLDMT-TIE ROD END LH             | 1   |
| 33   | 1014124  | BOLT-HEX: .31 X 1.50 NC GR5 ZP   | 2   |
| 34   | 1030729  | NUT-HEX: 1.25 NC GR2 LH ZP       | 3   |
| 35   | 58186    | WLDMT-TIE ROD END RH             | 1   |
| 36   | 1011621  | NUT-HEX: 1.25 NC GR2 ZP          | 3   |
| 37   | 1030700  | NUT-TOPLOCK: .31 NC GR5 ZP       | 2   |
| 38   | 1016858  | BOLT-HEX: .50 X 2.75 NC GR5 ZP   | 3   |
| 39   | 1011626  | BOLT-HEX: 1.00 X 3.50 NC GR5 ZP  | 4   |



# STEERABLE REAR STRUTS - 7.60 X 15 TIRES (CONTINUED)

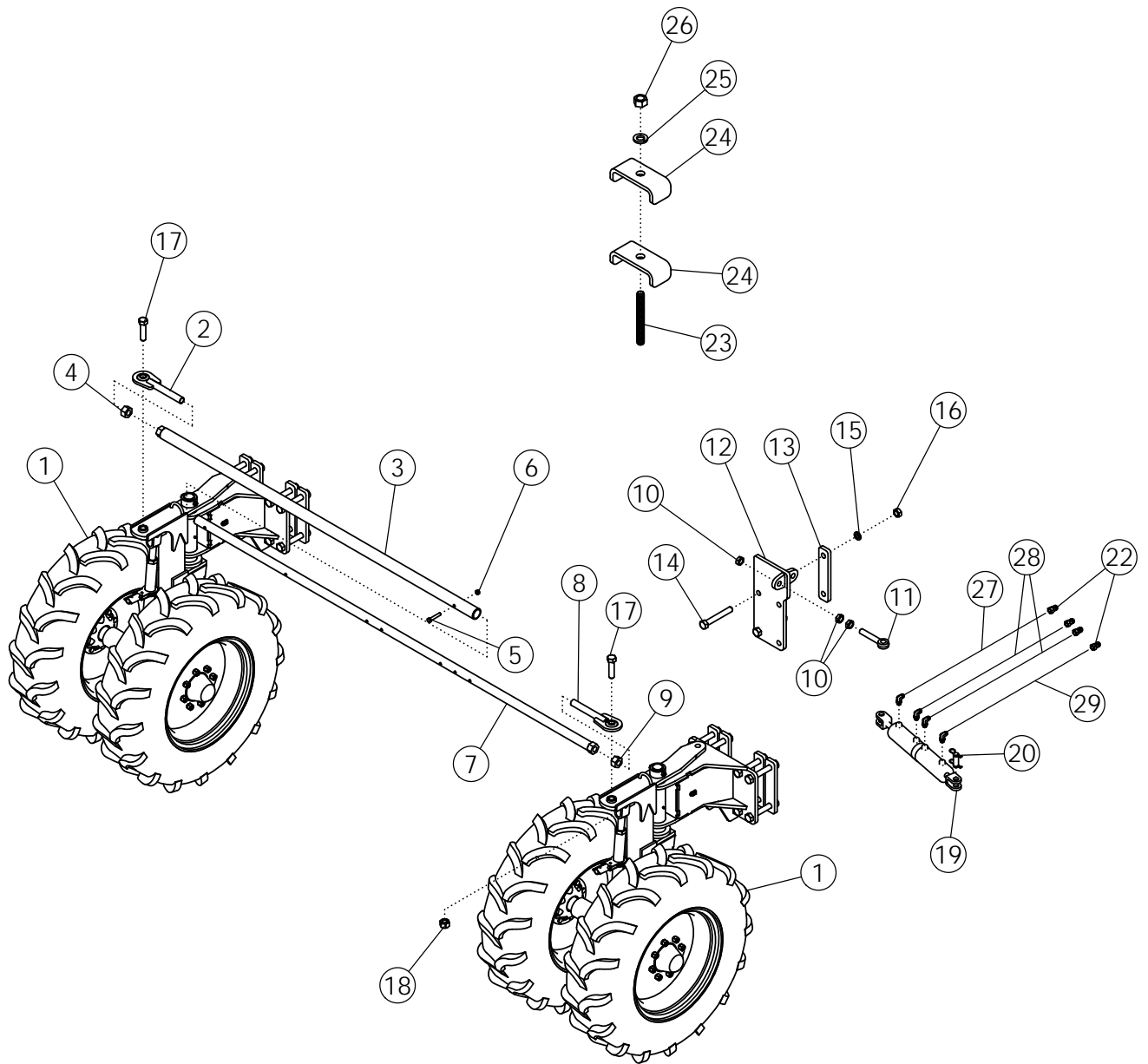
| ITEM | PART NO. | DESCRIPTION                           | QTY |
|------|----------|---------------------------------------|-----|
| 40   | 1016969  | NUT-TOPLOCK: 1.00 NC GR5 ZP           | 4   |
| 41   | 58205    | WLDMT-TIE ROD END DOUBLE              | 2   |
| 42   | 1026247  | FTG-ELBOW: 6MP-8MJ90                  | 2   |
| 43   | 300032   | HOSE: .50 X 336 8MB-8FJX              | 2   |
| 44   | 36290    | PIONEER TIP 8010-15P (#8 ORB)         | 2   |
| 45   | 50714    | CLAMP 1/2" ZP                         | 2   |
| 46   | 58418    | WLDMT-TIE ROD MALE 40"                | 3   |
| 47   | 58417    | WLDMT-TIE ROD FEMALE 40"              | 3   |
| 48   | 52116    | ASSY-HUB & SPINDLE                    | 8   |
| 49   | 1013426* | BOLT-LUG: .50 X 1.00 NF GR5 ZP        | 24  |
| 50   | 300030   | FTG-RESTRICTOR 8MJ-8FJ .062           | 1   |
| 51   | 69956    | WLDMT- DEF STRUT CLAMP                | 4   |
| 52   | 69971    | PLASTIC-STRUT CLAMP                   | 4   |
| 53   | 1013068  | BOLT-HEX: .63 X 6.00 NC GR5 ZP        | 4   |
| 54   | 1016595  | NUT-TOPLOCK: .63 NC GR5 ZP            | 4   |
| 55   | 1030703  | BOLT-HEX: .63 X 1.25 NF GR5 ZP        | 4   |
| 56   | 66336    | NUT-JAM: .63 NF GR2 ZP                | 4   |
| 57   | 69987    | SCREW-MACH: .25-20 X 1.00 (NOT SHOWN) | 8   |

\* Items are included in Item 48



## ASSY-STEERABLE STRUT UPPER DLS

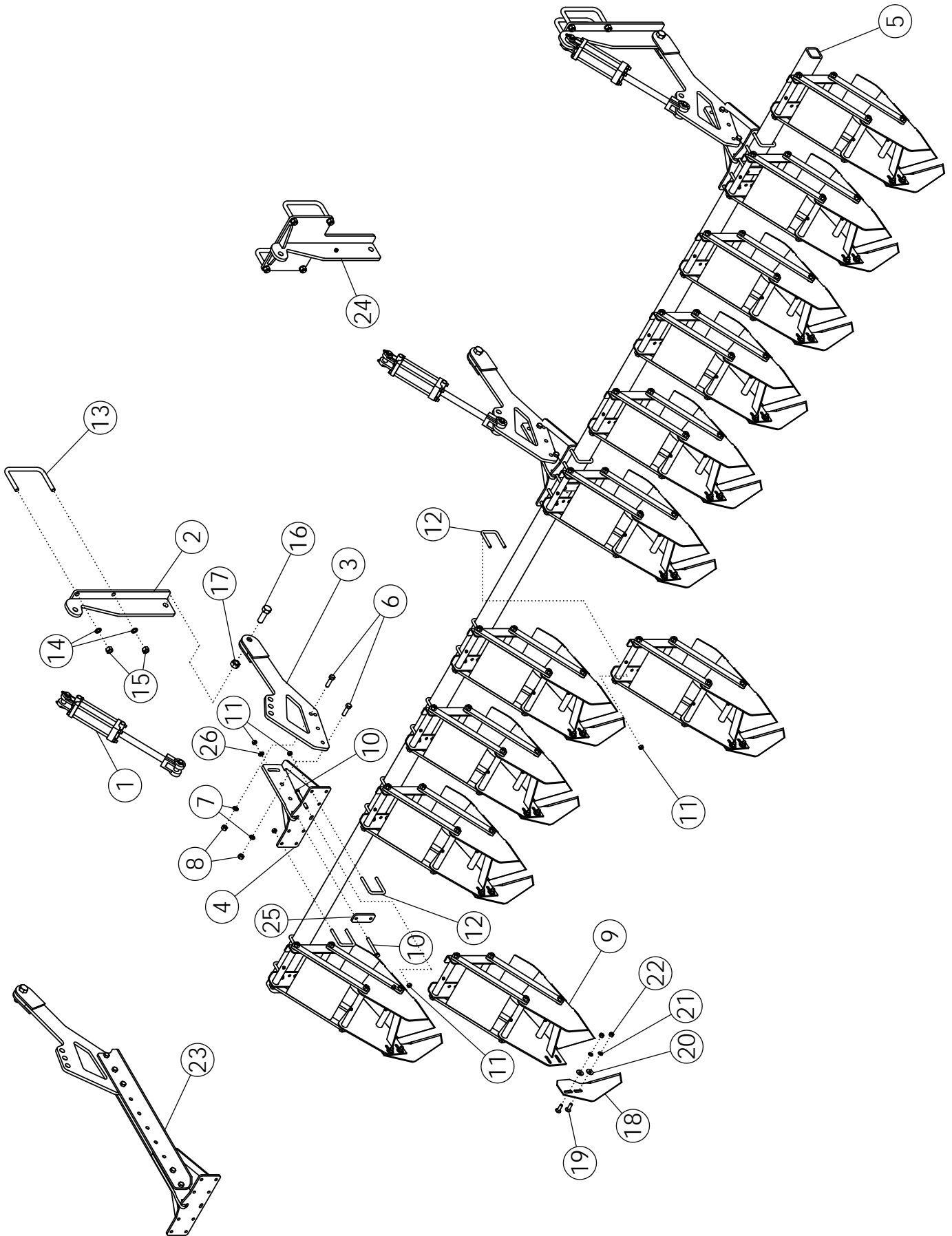
| ITEM | PART NO. | DESCRIPTION                             | QTY |
|------|----------|---|-----|
| 1    | 56986    | TIRE-MNTD: 11.2-24 10PLY R1 RH          | 1   |
| 2    | 63992    | TIRE-MNTD: 11.2-24 10PLY R1 LE          | 1   |
| 3    | 305560   | WLDMT-STRUT UPPER                       | 1   |
| 4    | 305561   | WLDMT-SPINDLE RECEIVER 22"              | 1   |
| 5    | 305573   | WLDMT-DEF STRUT FLAG PIN                | 1   |
| 6    | 305575   | PLATE-PIVOT POINT END CAP ZP            | 1   |
| 7    | 58367    | BOLT-HEX: .75 X 1.50 NC GR5 ZP          | 1   |
| 8    | 1012061  | WASHER-LOCK: .75 ZP                     | 1   |
| 9    | 53167    | ASSY-HUB & SPINDLE: 8 BOLT W/ZERK       | 2   |
| 10   | 52407    | RATCHET JACK-PAINTED                    | 1   |
| 11   | 1011618  | BOLT-HEX: .50 X 5.00 NC GR5 ZP          | 1   |
| 12   | 1027461  | NUT-TOPLOCK: .50 NC GR5 ZP              | 1   |
| 13   | 58408    | BAR - BOLTING                           | 4   |
| 14   | 1018839  | BOLT-HEX: 1.0 x 7.00 NC GR8 ZP          | 8   |
| 15   | 1013539  | WASHER-LOCK: 1.00 ZP                    | 8   |
| 16   | 1012664  | NUT-HEX: 1.00 NC GR2 ZP                 | 8   |
| 17   | 305925   | ASSY-PIVOT MOUNT DLS                    | 1   |
| 18   | 58274    | SHAFT                                   | 1   |
| 19   | 1011612  | BOLT-HEX: .50 X 3.50 GR5 ZP             | 1   |
| 20   | 1027461  | NUT-TOPLOCK: .50 NC GR5 ZP              | 1   |
| 21   | 1011748  | ZERK - GREASE                           | 2   |
| 22   | 305586   | BUSHING-THRUST 2.062 X 4.00 X .125      | 1   |
| 23   | 73466    | BUSHING-SPRING 2.25 X 2.0 X 2.0 L (REF) | 2   |
| 24   | 59204    | BUSHING-BORE 2.5 X 2.015                | 2   |





# STRUTS-STEERABLE 11.2 X 24 22" CENTERING

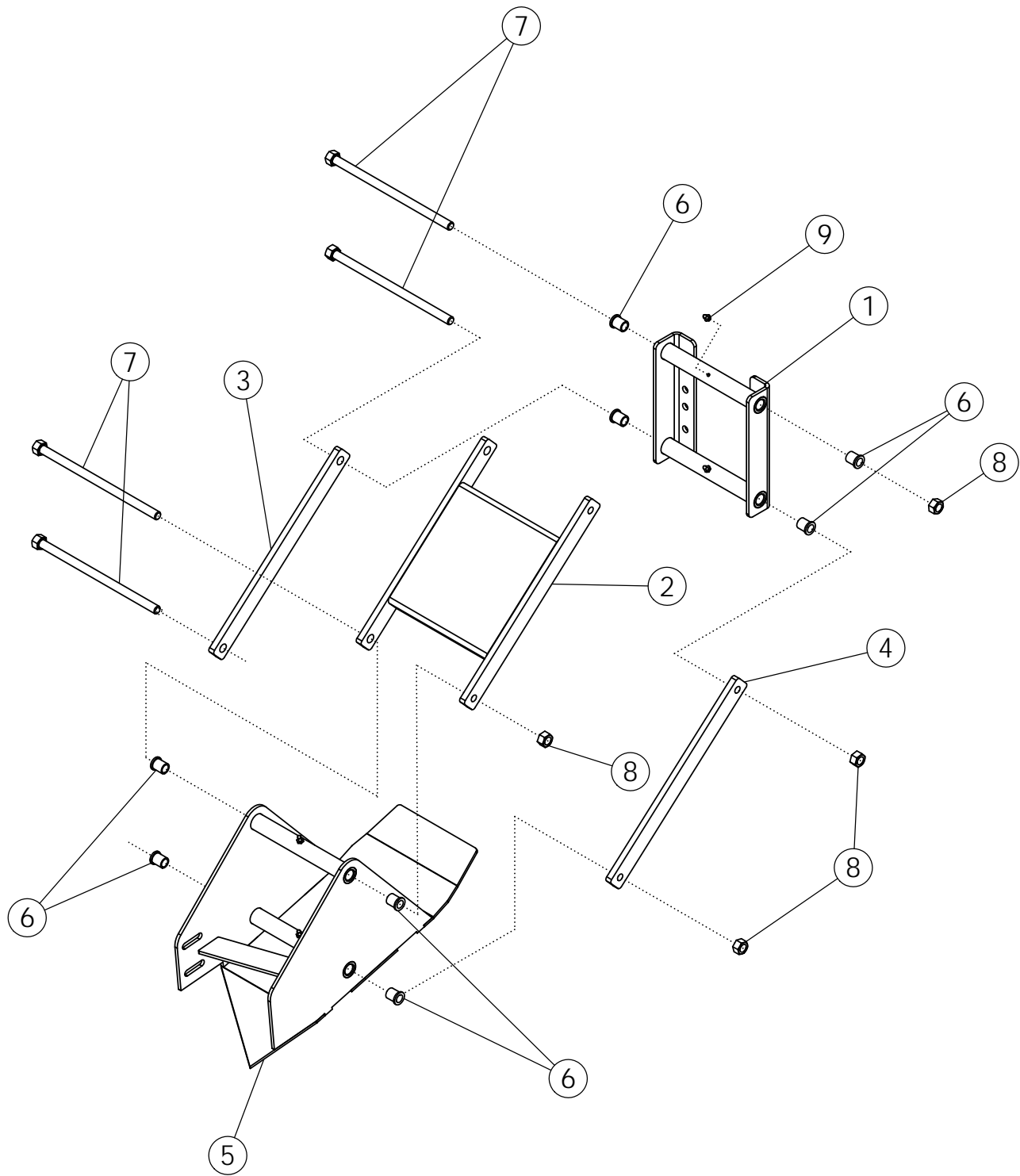
| ITEM | PART NO. | DESCRIPTION                              | QTY |
|------|----------|--|-----|
| 1    | 305922   | ASSY-STURT STEERABLE 11.2 X 24 22" PIVOT | 2   |
| 2    | 58203    | WLDMT-TIE ROD END LH                     | 1   |
| 3    | 58416    | WLDMT-TIE ROD 70" FEMALE                 | 1   |
| 4    | 1030729  | NUT-HEX: 1.25 NC GR2 LH ZP               | 1   |
| 5    | 1016858  | BOLT-HEX: .50 X 2.75 NC GR5 ZP           | 1   |
| 6    | 1027461  | NUT-TOPLOCK: .50 NC GR5 ZP               | 1   |
| 7    | 58415    | WLDMT-TIE ROD 70" MALE                   | 1   |
| 8    | 58186    | WLDMT-TIE ROD END RH                     | 1   |
| 9    | 1011621  | NUT-HEX: 1.25 NC GR2 ZP                  | 1   |
| 10   | 1026880  | NUT-HEX JAM: 1.00 NC GR2 ZP              | 3   |
| 11   | 62081    | BOLT-EYEBOLT 1" X 6" GR 8                | 1   |
| 12   | 301064   | WLDMT-CYLINDER BRACKET ADJ               | 1   |
| 13   | 58408    | BAR - BOLTING                            | 2   |
| 14   | 1018839  | BOLT-HEX: 1.0 x 7.00 NC GR8 ZP           | 4   |
| 15   | 1013539  | WASHER-LOCK: 1.00 ZP                     | 4   |
| 16   | 1012664  | NUT-HEX: 1.00 NC GR2 ZP                  | 4   |
| 17   | 1032276  | BOLT-HEX: 1.0 X 3.50 NC GR8 ZP           | 2   |
| 18   | 1016970  | NUT-TOPLOCK: 1.00 NC GR8 ZP              | 2   |
| 19   | 69200    | CYLINDER HYD 3 X 4 4 PORT 24.5 CLOSED    | 1   |
| 20   | 69167    | PIN-CYLINDER W/CLIPS 1.00 X 2.25         | 2   |
| 21   | 58560    | FTG-ELBOW: 8MB-8MJ-90                    | 4   |
| 22   | 36290    | PIONEER TIP 8010-15P (#8 ORB)            | 4   |
| 23   | 65379    | STUD-.375 X 3.00 UNC ZP                  | 4   |
| 24   | 50714    | CLAMP .50 ZP                             | 8   |
| 25   | 1011586  | WASHER-LOCK: .38 ZP                      | 4   |
| 26   | 1011576  | NUT-HEX: .38 NC GR2 ZP                   | 4   |



# SCALPER BAR ASSEMBLY

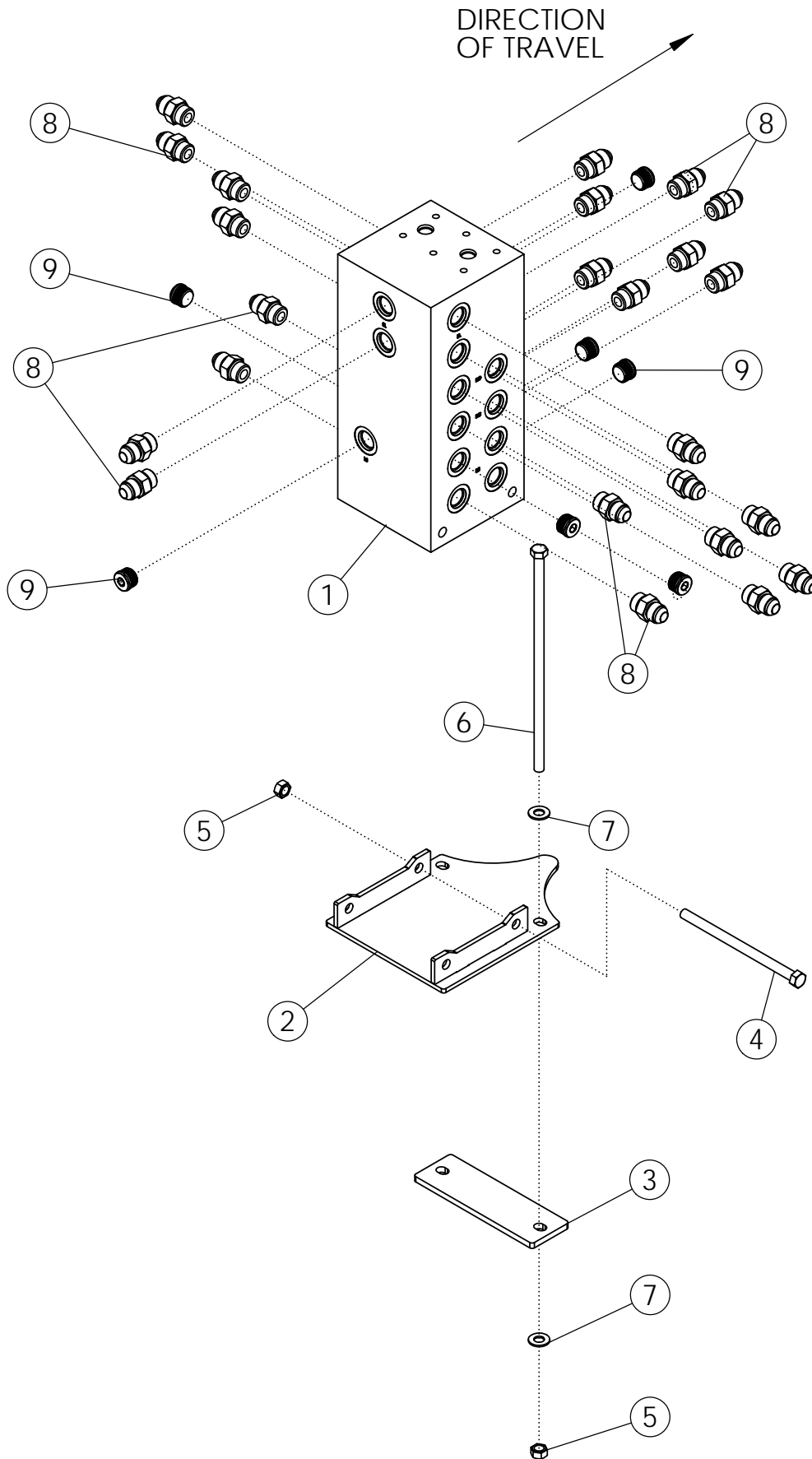
| ITEM | PART NO. | DESCRIPTION                    | QTY |
|------|----------|--------------------------------|-----|
| 1    | 58890    | CYLINDER HYDRAULIC 3 X 8       | 3   |
|      | 301314   | SEAL KIT FOR 58890 UNIVERSAL   |     |
| 2    | 68239    | WLDMT - MOUNT                  | 2   |
| 3    | 69126    | WLDMT-SCALPER ARM MNT          | 3   |
| 4    | 69127    | WLDMT-BAR MNT BRACKET          | 3   |
| 5    | 51863    | SCALPER BAR (NOT SHOWN)        | 1   |
| 6    | 1017526  | BOLT-HEX .63 X 2.25 NC GR5 ZP  | 12  |
| 7    | 1011813  | WASHER-LOCK: .63 ZP            | 12  |
| 8    | 1011578  | NUT-HEX: .63 NC GR2 ZP         | 12  |
| 9    | 63462    | ASSY-SCALPER BASKET            | 12  |
| 10   | 1013682  | BOLT-HEX: .50 X 4.50 NC GR5 ZP | 18  |
| 11   | 1027461  | NUT-TOPLOCK: .50 NC GR5 ZP     | 66  |
| 12   | 69954    | U-BOLT: .50 X 4.50 X 3 X 4.50  | 24  |
| 13   | 56263    | U-BOLT: .75 X 5.5 X 8 X 5.5    | 6   |
| 14   | 1012061  | WASHER-LOCK: .75 ZP            | 12  |
| 15   | 1011620  | NUT-HEX: .75 NC GR2 ZP         | 12  |
| 16   | 1018007  | BOLT-HEX: 1.0 X 3.00 NC GR5 ZP | 3   |
| 17   | 1016969  | NUT-TOPLOCK: 1.00 NC GR5 ZP    | 3   |
| 18   | 51782    | SCALPER KNIFE-HEAT TREAT       | 12  |
| 19   | 1011660  | BOLT-CRG: .50 X 1.50 NC GR5 ZP | 24  |
| 20   | 1014443  | WASHER-FLAT: .50 ZP            | 24  |
| 21   | 1011581  | WASHER-LOCK: .50 ZP            | 24  |
| 22   | 1011577  | NUT-HEX: .50 NC ZP             | 24  |
| 23   | 305183*  | PLATE-SCALPER EXTENSION        | 6   |
| 24   | 69011    | WLDMT-CENTER CYLINDER MOUNT    | 1   |
| 25   | 51551    | BAR-BASKET MOUNTING            | 3   |
| 26   | 1011584  | WASHER-FLAT: SAE .50 ZP        | 6   |

\*USED WITH LARGER TIRE OPTION



# SCALPER BASKET

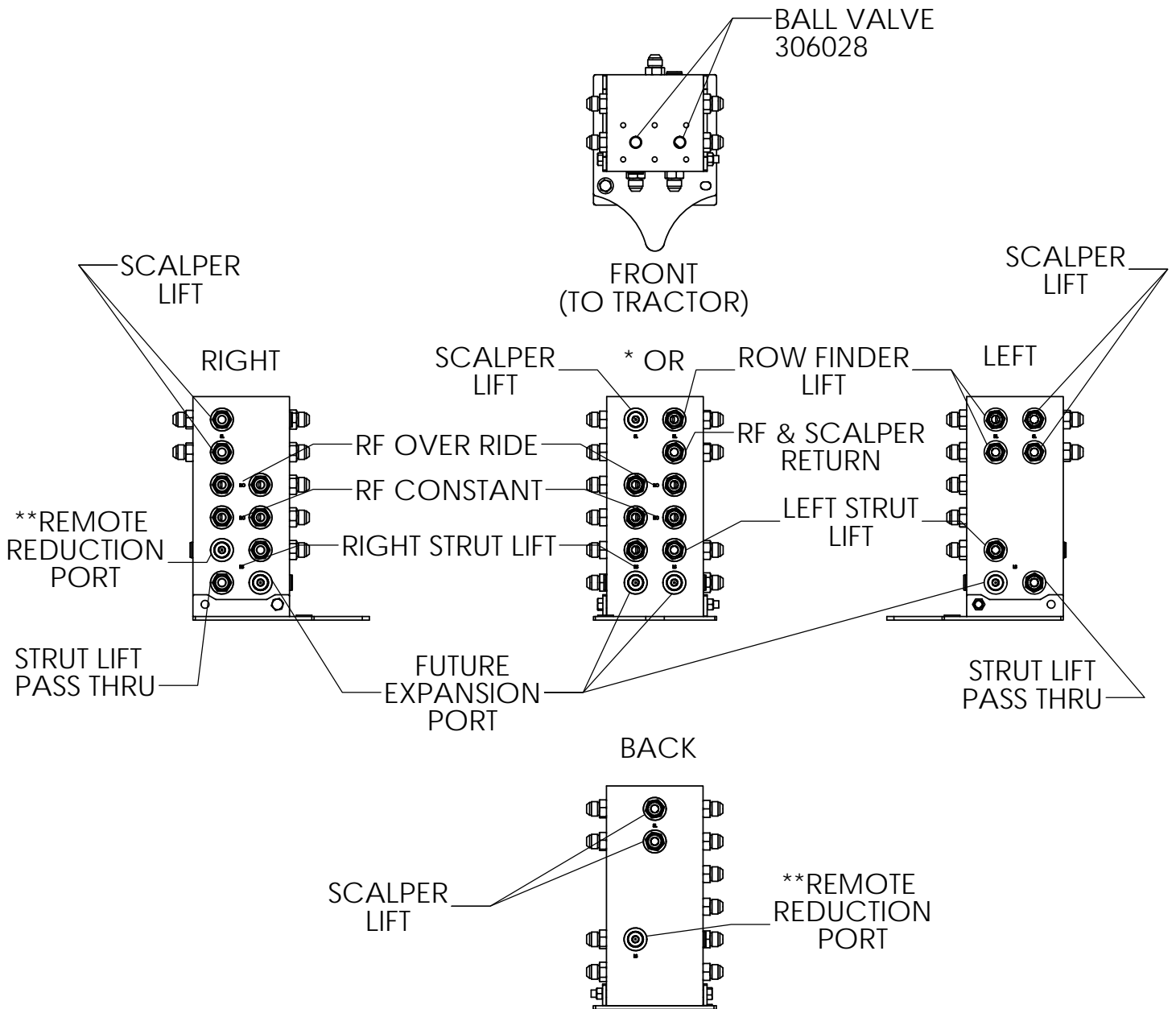
| ITEM | PART NO. | DESCRIPTION                           | QTY |
|------|----------|---------------------------------------|-----|
| 1    | 63551    | WLDMT-BASKET MOUNT                    | 1   |
| 2    | 63556    | WLDMT-UPPER LINK                      | 1   |
| 3    | 63555    | BAR-PARALLEL LINK                     | 1   |
| 4    | 63463    | BAR-LINK THREADED                     | 1   |
| 5    | 63550    | WLDMT-BASKET FRAME                    | 1   |
| 6    | 306080   | BUSHING-FLANGE: .628 X 8.16 X 1.4375L | 8   |
| 7    | 305854   | WLDMT-THREADED ROD SCALPER ZP         | 4   |
| 8    | 59316    | NUT-CENTERLOCK: .625 NC GR5 ZP        | 4   |
| 9    | 1011748  | ZERK-GREASE .25 UNF STRAIGHT          | 4   |



# VALVE BLOCK AND MOUNT

| ITEM | PART NO. | DESCRIPTION                     | QTY |
|------|----------|---------------------------------|-----|
| 1    | 305960   | HYDRAULIC BLOCK DLS             | 1   |
| 2    | 305659   | WLDMT-VALVE BLOCK MOUNT         | 1   |
| 3    | 305662   | PLATE-VALVE BLOCK BOLTING       | 1   |
| 4    | 34925    | BOLT-HEX: .38 X 6.00 NC GR5 ZP  | 2   |
| 5    | 1016999  | NUT-TOPLOCK: .38 NC GR5 ZP      | 4   |
| 6    | 305663   | BOLT-HEX: .38 X 10.00 NC GR5 ZP | 2   |
| 7    | 1014608  | WASHER-FLT: SAE .38 ZP          | 4   |
| 8    | 56226    | FTG-ADAPTER: 8MB-8MJ            | 24  |
| 9    | 305666   | FTG-PLUG: 8MB ALLEN DRIVE       | AR  |

**\*\* BLOCK SHOWN WITH ALL OPTIONS,  
IF NOT EQUIPPED BLOCK PORTS ARE  
PLUGGED WITH ITEM 10.**



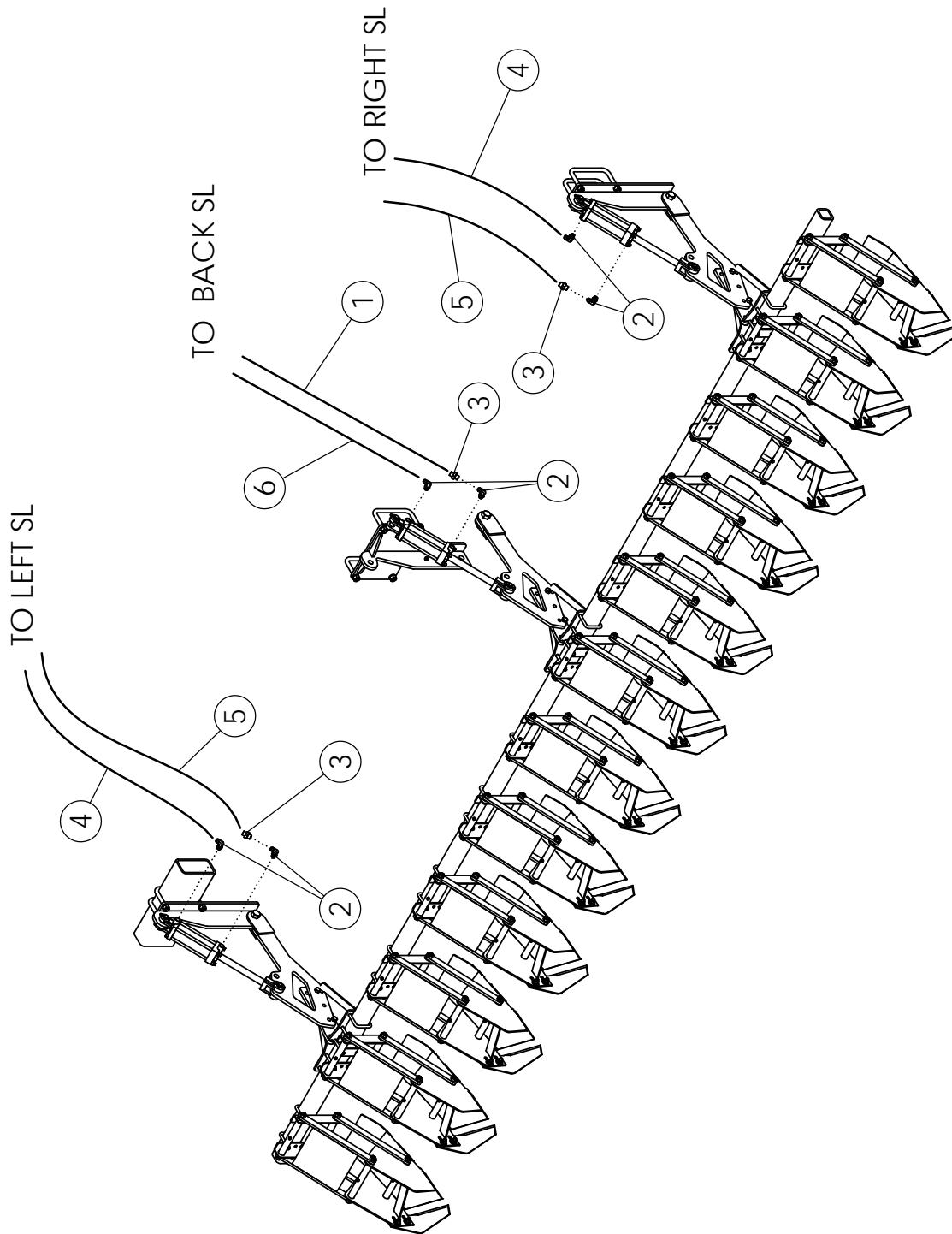
- \* EITHER THE SCALPER LIFT OR ROW FINDER LIFT PORT IS USED AND THE OTHER IS PLUGGED.
- IF A FRAME MOUNTED ROW FINDER IS USED, WITH OR WITHOUT SCALPER, THE ROW FINDER LIFT PORT IS USED IN CONJUNCTION WITH A BALL VALVE. ENABELING USE OF BOTH THE SCALPER (IF EQUIPPED) AND ROW FINDER OR ROW FINDER.
- IF A SCALPER WITHOUT FRAME MOUNTED ROW FINDER IS EQUIPPED THE SCALPER LIFT PORT IS USED AND NO BALL VALVE IS INSTALLED.

\*\* REMOTE REDUCTION PORT ALLOWS THE ROW FINDER CONSTANT FUNCTION TO BE TIED INTO THE STRUT LIFT FUNCTION TO ELIMINATE THE NEED FOR ONE ADDITIONAL HYDRAULIC REMOTE ON THE TRACTOR. IN THIS CONFIGURATION RETRACTING OR LOWERING THE STRUTS ALSO POWERS THE ROWFINDER CONSTANT FUNCTION. WHEN EXTENDING THE STRUTS A CHECK VALVE INSTALLED ON THE ROW FINDER PROHIBITS BACKWARDS OIL FLOW.

\*\* AN ALTERNATE OPTION TO REDUCE HYDRAULIC REMOTES REQUIRED WOULD BE TO HOOK UP THE ROW FINDER CONSTANT TO THE TRACTOR'S POWER BEYOND USING AN EXTERNAL FLOW CONTROL SET TO APPROXIMATELY 7 GPM.

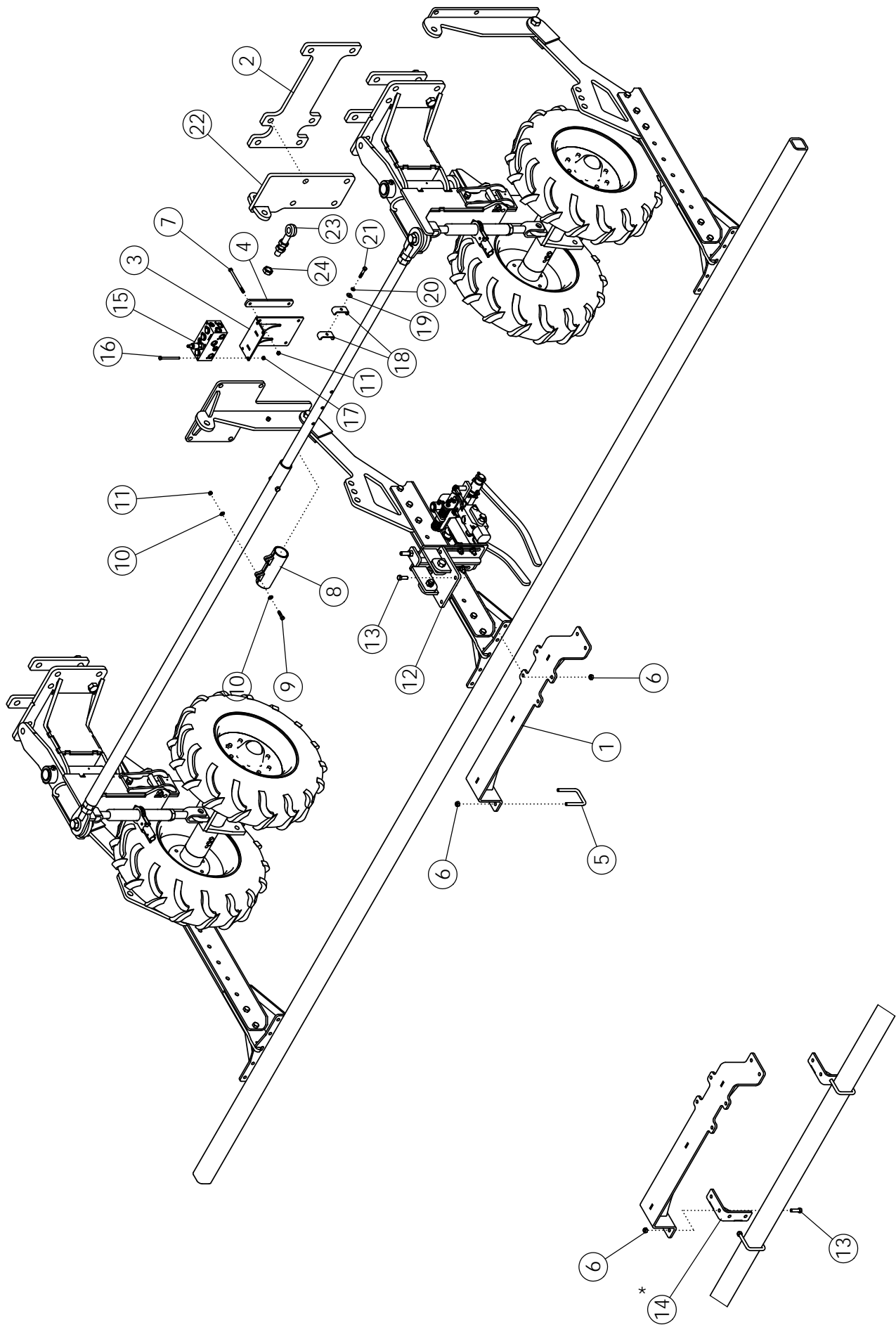


**THIS PAGE  
INTENTIONALLY  
LEFT BLANK**



# SCALPER HYDRAULICS

| ITEM | PART NO. | DESCRIPTION                 | QTY |
|------|----------|-----------------------------|-----|
| 1    | 305669   | HOSE: .38 X 027 8FJX-8FJX90 | 1   |
| 2    | 58560    | FTG-ELBOW: 8MB-8MJ-90       | 6   |
| 3    | 1019844  | FTG-RESTRICTOR 8FJ-8MJ      | 3   |
| 4    | 305671   | HOSE: .38 X 121 8FJX-8FJX   | 2   |
| 5    | 305672   | HOSE: .38 X 131 8FJX-8FJX   | 2   |
| 6    | 305668   | HOSE: .38 X 027 8FJX-8FJX   | 1   |



NON-AMITY SCALPER MOUNTING

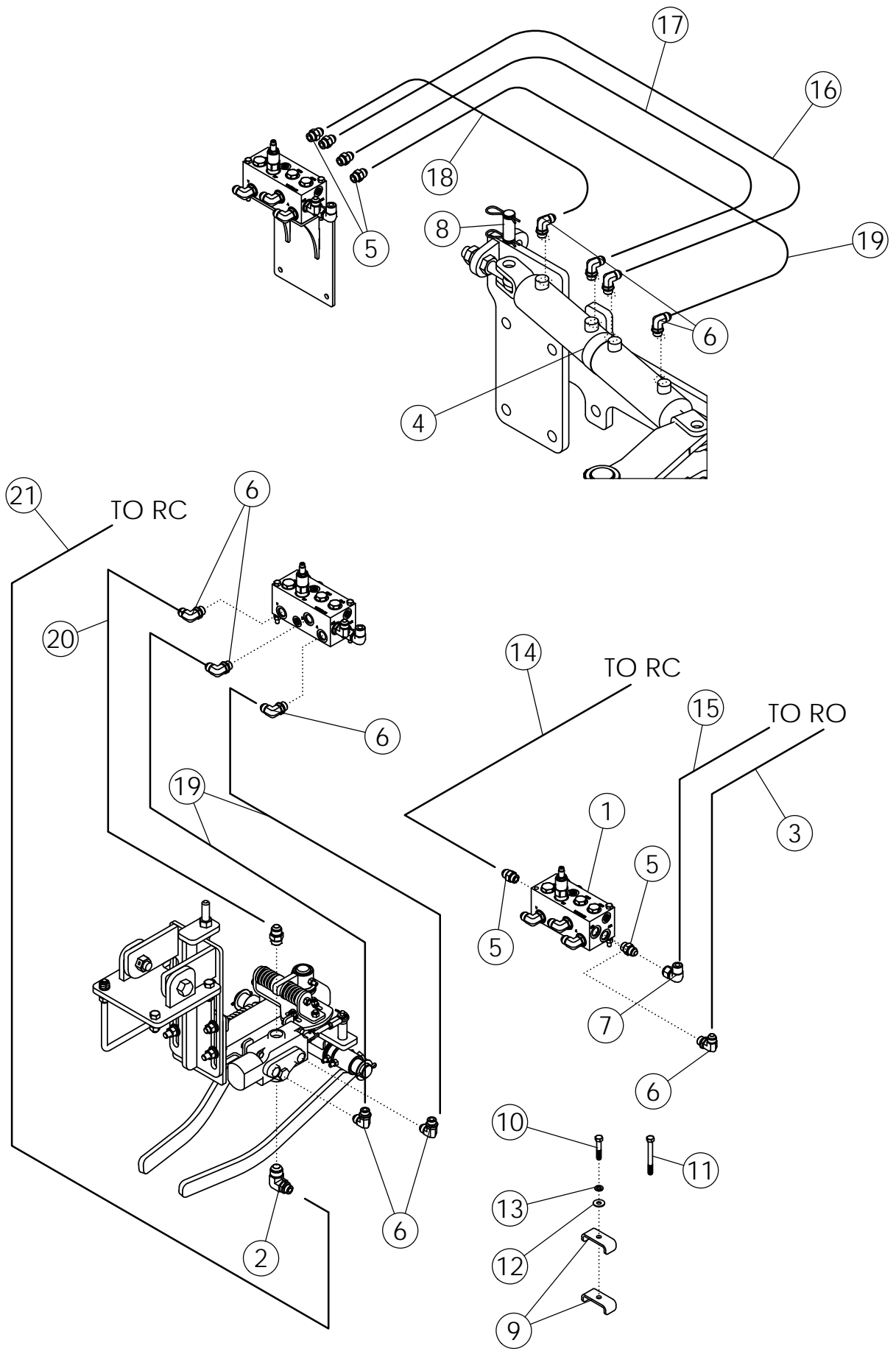
# ROW FINDER - SCALPER MOUNTED 12 ROW

| ITEM | PART NO. | DESCRIPTION                            | QTY      |
|------|----------|--|----------|
| 1    | 69972    | WLDMT-DEF ROW FINDER MOUNT             | 1        |
| 2    | 305775   | PLATE-DEF CYL MNT STRAP (28.5" STROKE) | 1        |
| 3    | 69996    | WLDMT-DEF VALVE MNT                    | 1        |
| 4    | 64288    | PLATE-BRACKET BACKING                  | 2        |
| 5    | 69954    | U-BOLT: .50 X 4.50 X 3 X 4.50          | 2        |
| 6    | 1027461  | NUT-TOPLOCK: .50 NC GR5 ZP             | 8 OR 12* |
| 7    | 64289    | BOLT-HEX: .38 X 5.50 NC GR5 ZP         | 4        |
| 8    | 69557    | WLDMT-TIE ROD CLAMP                    | 1        |
| 9    | 1011602  | BOLT-HEX: .38 X 1.50 NC GR5 ZP         | 2        |
| 10   | 1014608  | WASHER-FLT: SAE .38 ZP                 | 4        |
| 11   | 1016999  | NUT-TOPLOCK: .38 NC GR5 ZP             | 6        |
| 12   | **NOTE** | HYDRAULIC ROW FINDER                   | 1        |
| 13   | 1011608  | BOLT-HEX: .50 X 1.75 NC GR 5 ZP        | 4 OR 8*  |
| 14   | 69454*   | WLDMT-RF MOUNT EXTENSION               | 2        |
| 15   | 69999    | VALVE-DEF RF RETURN                    | 1        |
| 16   | 1030778  | BOLT-HEX: .31 X 4.00 NC GR5 ZP         | 2        |
| 17   | 1030700  | NUT-TOPLOCK: .31 NC GR5 ZP             | 2        |
| 18   | 50714    | CLAMP .50" ZP                          | 10       |
| 19   | 1014608  | WASHER-FLAT: SAE .38 XP                | 5        |
| 20   | 1011586  | WASHER-LOCK: .38 ZP                    | 5        |
| 21   | 1013239  | BOLT-HEX: .38 X 3.00 NC GR5 ZP         | 4        |
| 22   | 301064   | WLDMT-CYLINDER BRACKET ADJ             | 1        |
| 23   | 62081    | BOLT-EYEBOLT: 1.00 X 6.00 GR8 ZP       | 3        |

\* ITEM 14 AND HARDWARE USED ONLY WITH NON AMITY  
SCALPER BASKETS

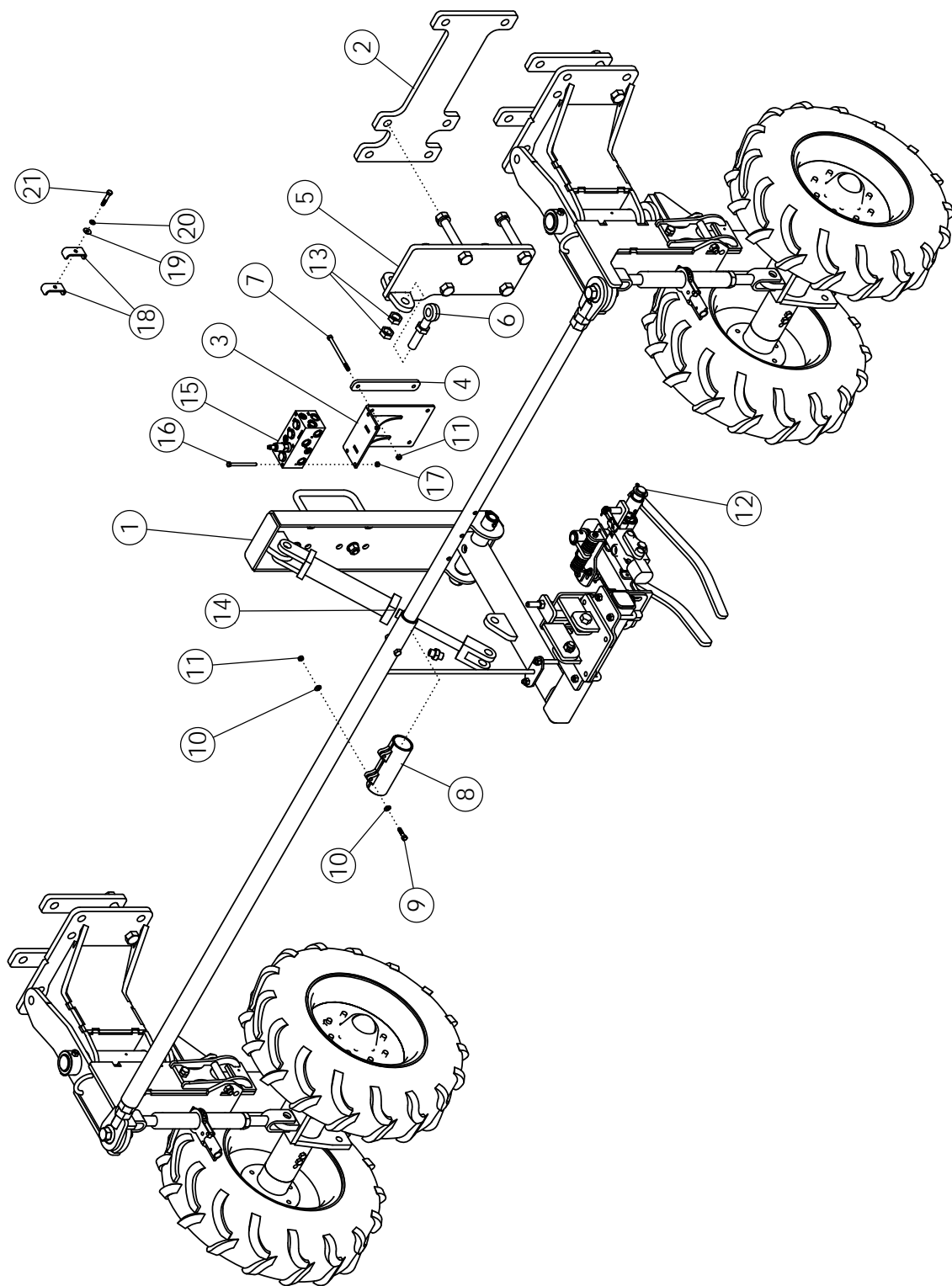
\*\*NOTE\*\*

- ROWFINDER NEEDS TO BE OPEN CENTER (PLUG REMOVED)
- PLACE ROWFINDER ON THE FIRST ROW RIGHT OF CENTER
- FOR PARTS, REFERENCE ROWFINDER MANUAL PAGE (M4770)



# SCALPER MOUNTED ROW FINDER HYDRAULICS

| ITEM | PART NO. | DESCRIPTION                            | QTY |
|------|----------|--|-----|
| 1    | 69999    | VALVE-DEF ROWFINDER RETURN             | 1   |
| 2    | 65901    | FTG-ELBOW: 10MB-8MJ-90                 | 2   |
| 3    | 69571    | HOSE: .50 X 258 8MB-8FJX90             | 1   |
| 4    | 69200    | CYLINDER-HYD 3 X 4 4PORT 23.5 CLOSED   | 1   |
| 5    | 56226    | FTG-ADAPTER: 8MB-8MJ                   | 6   |
| 6    | 58560    | FTG-ELBOW: 8MB-8MJ 90                  | 10  |
| 7    | 57668    | FTG-ELBOW: 8MJ-8FJX 90                 | 1   |
| 8    | 69167    | PIN-CLYNDER W/CLIPS 1.00 X 2.25        | 2   |
| 9    | 50714    | CLAMP .50" ZP                          | 10  |
| 10   | 1011603  | BOLT-HEX: .38 X 1.75 NC GR5 ZP         | 1   |
| 11   | 1013239  | BOLT-HEX: .38 X 3.00 NC GR5 ZP         | 4   |
| 12   | 1014608  | WASHER-FLAT: SAE .38 ZP                | 5   |
| 13   | 1011586  | WASHER-LOCK: .38 ZP                    | 5   |
| 14   | 69570    | HOSE: .50 X 252 8FJX-8MB               | 1   |
| 15   | 69572    | HOSE: .50 X 258 8MB-8FJX90L            | 1   |
| 16   | 305043   | HOSE: .50 X 086 X 8FJX-8FJX90 (6R/8R)  | 1   |
|      | 69564    | HOSE: .50 X 108 8FJX-8FJX90 (9R/12R)   |     |
| 17   | 305044   | HOSE: .50 X 086 X 8FJX-8FJX90L (6R/8R) | 1   |
|      | 69565    | HOSE: .50 X 108 8FJX-8FJX90L (9R/12R)  |     |
| 18   | 305045   | HOSE: .50 X 092 X 8FJX-8FJX90L (6R/8R) | 1   |
|      | 69566    | HOSE: .50 X 114 8FJX-8FJX90L (9R/12R)  |     |
| 19   | 305046   | HOSE: .50 X 080 X 8FJX-8FJX90 (6R/8R)  | 3   |
|      | 69567    | HOSE: .50 X 102 8FJX-8FJX90 (9R/12R)   |     |
| 20   | 69568    | HOSE: .50 X 090 8FJX-8FJX              | 1   |
| 21   | 69569    | HOSE: .50 X 336 8MB-8FJX90             | 1   |



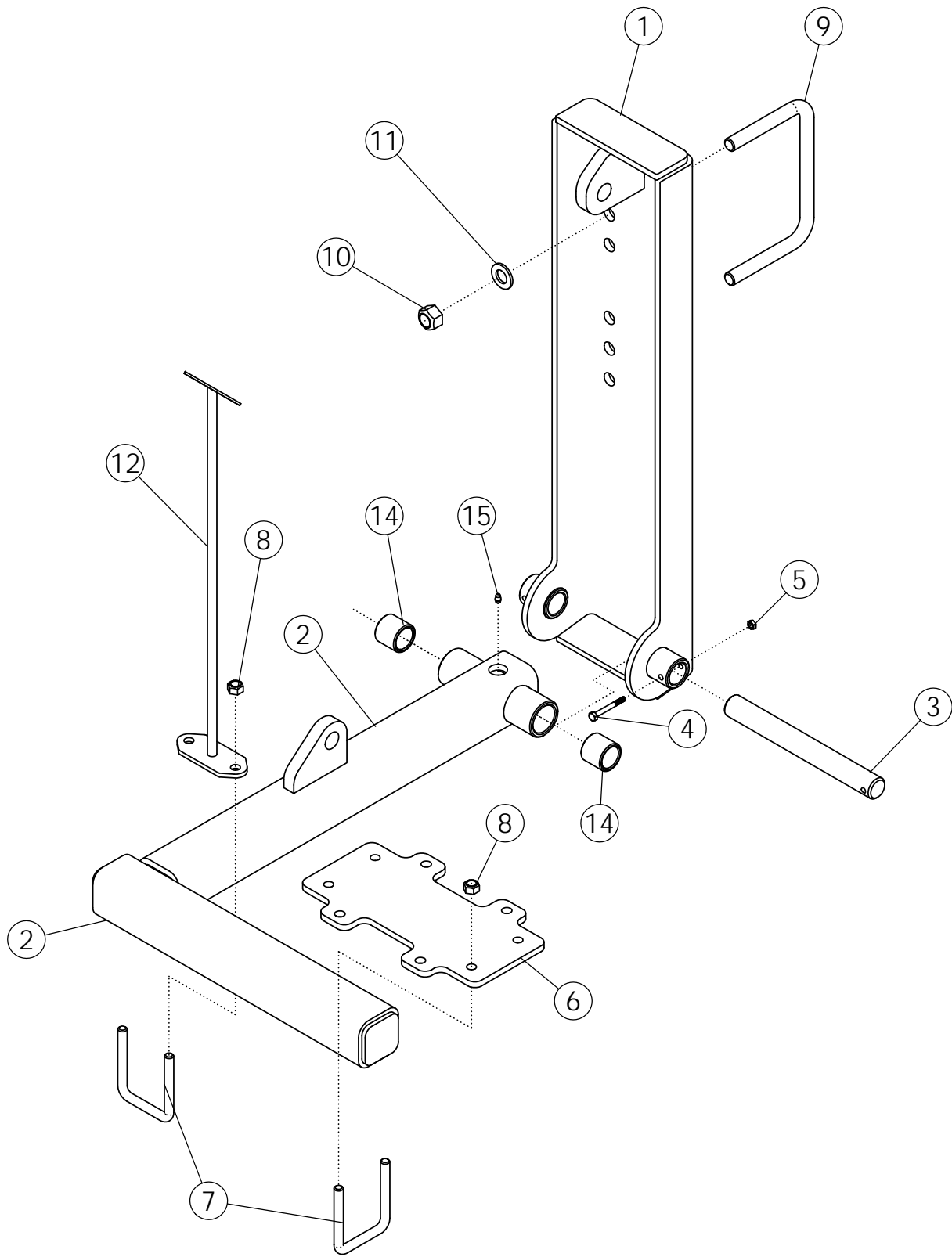


# ROW FINDER - FRAME MOUNTED

| ITEM | PART NO. | DESCRIPTION                            | QTY |
|------|----------|--|-----|
| 1    | 305055   | ASSY-DEF ROW FINDER MOUNT              | 1   |
| 2    | 305775   | PLATE-DEF CYL MNT STRAP (28.5" STROKE) | 1   |
| 3    | 69996    | WLDMT-DEF VALVE MNT                    | 1   |
| 4    | 64288    | PLATE-BRACKET BACKING                  | 2   |
| 5    | 301064   | WLDMT-CYLINDER BRACKET ADJ             | 1   |
| 6    | 62081    | BOLT-EYEBOLT: 1.00 X 6.00 GR8 ZP       | 1   |
| 7    | 64289    | BOLT-HEX: .38 X 5.50 NC GR5 ZP         | 4   |
| 8    | 69557    | WLDMT-TIE ROD CLAMP                    | 1   |
| 9    | 1011602  | BOLT-HEX: .38 X 1.50 NC GR5 ZP         | 2   |
| 10   | 1014608  | WASHER-FLT: SAE .38 ZP                 | 4   |
| 11   | 1016999  | NUT-TOPLOCK: .38 NC GR5 ZP             | 6   |
| 12   | **NOTE** | HYDRAULIC ROW FINDER                   | 1   |
| 13   | 1026880  | NUT-JAM: 1.00 NC GR2 ZP                | 3   |
| 14   | 33612    | CYL-HYD: 20TH08-112ASAE                | 1   |
| 15   | 69999    | VALVE-DEF RF RETURN                    | 1   |
| 16   | 1030778  | BOLT-HEX: .31 X 4.00 NC GR5 ZP         | 2   |
| 17   | 1030700  | NUT-TOPLOCK: .31 NC GR5 ZP             | 2   |
| 18   | 50714    | CLAMP .50" ZP                          | 10  |
| 19   | 1014608  | WASHER-FLAT: SAE .38 XP                | 5   |
| 20   | 1011586  | WASHER-LOCK: .38 ZP                    | 5   |
| 21   | 1013239  | BOLT-HEX: .38 X 3.00 NC GR5 ZP         | 4   |

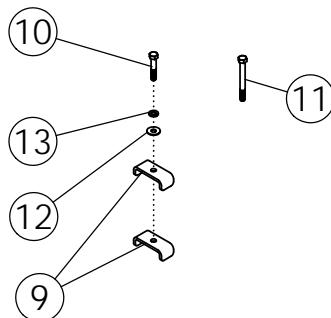
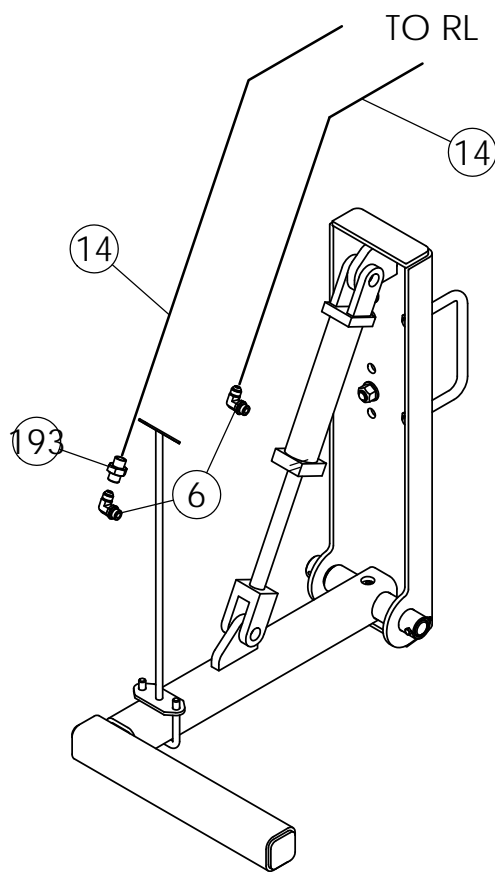
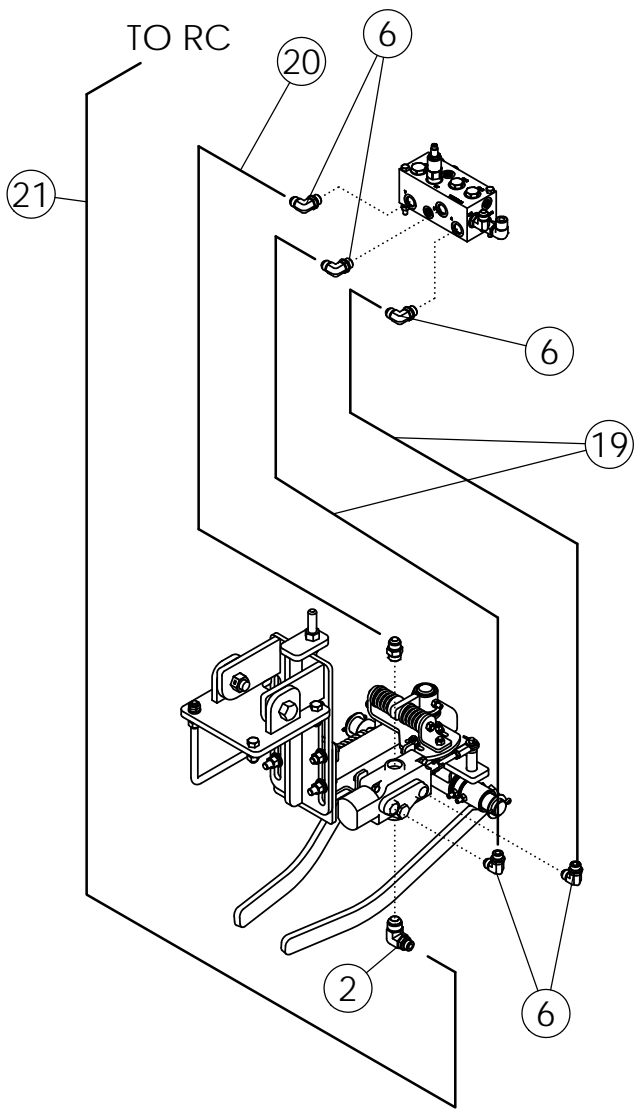
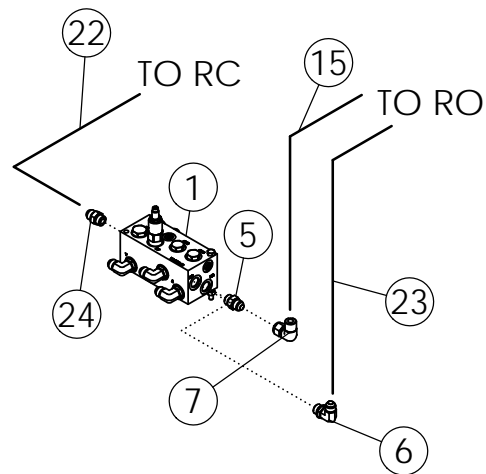
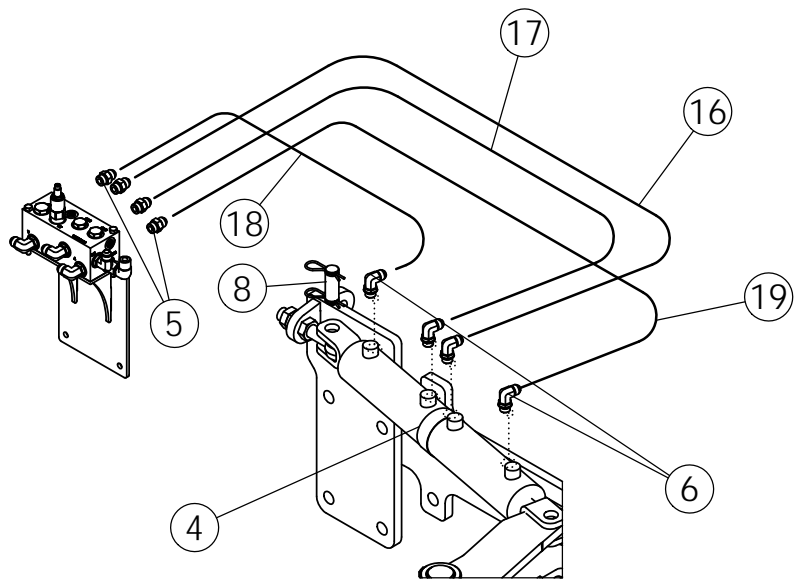
**\*\*NOTE\*\***

- ROWFINDER NEEDS TO BE OPEN CENTER (PLUG REMOVED)
- PLACE ROWFINDER ON THE FIRST ROW RIGHT OF CENTER
- FOR PARTS, REFERENCE ROWFINDER MANUAL PAGE (M4770)



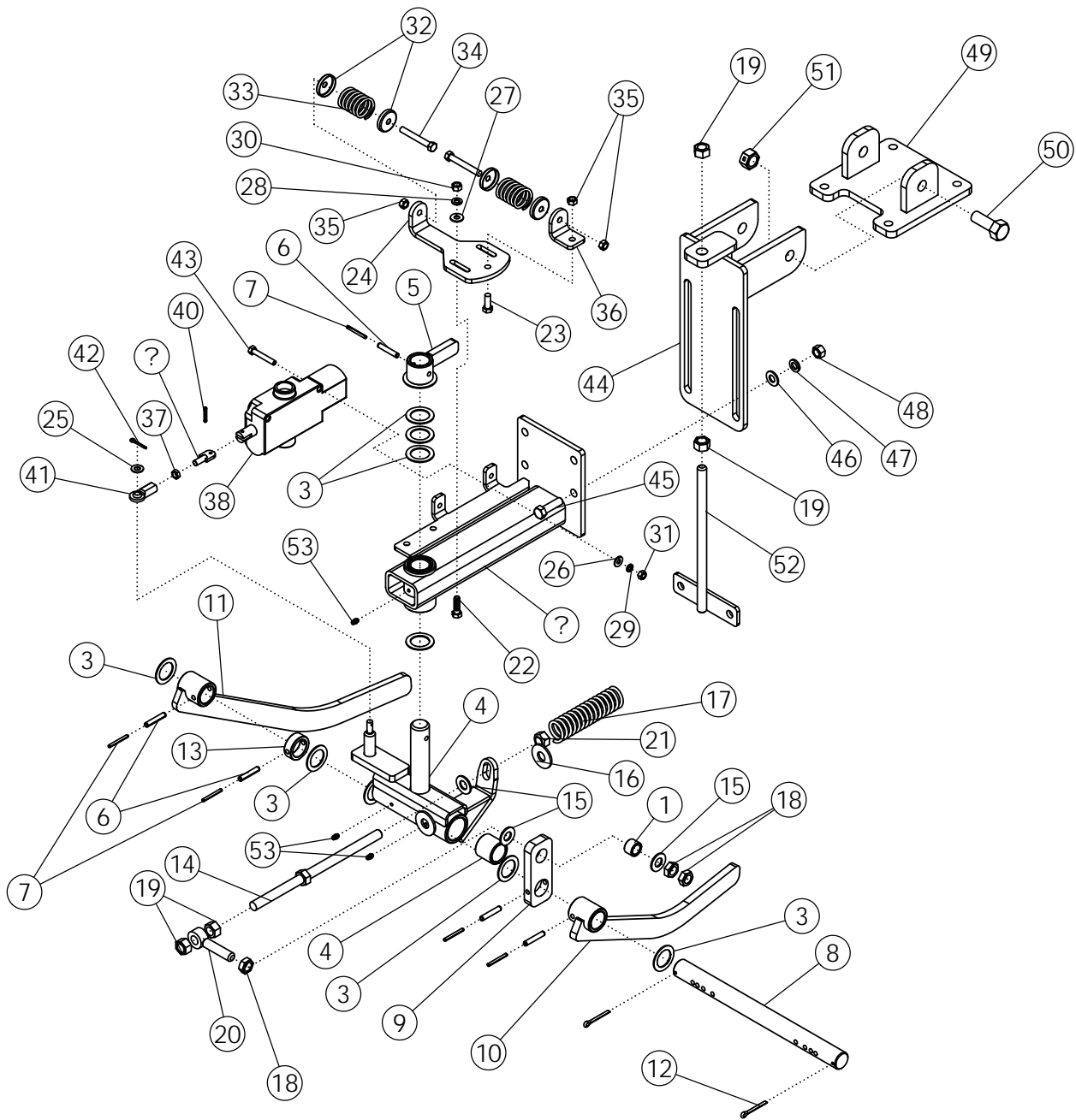
## ASSY - DEF ROW FINDER MOUNT

| ITEM | PART NO. | DESCRIPTION                              | QTY |
|------|----------|--|-----|
| 1    | 305057   | WLDMT-ROW FINDER MOUNT UPPER             | 1   |
| 2    | 305058-1 | WLDMT-ROW FINDER LOWER W/ BUSHINGS       | 1   |
| 3    | 305053   | SHAFT-ROW FINDER                         | 1   |
| 4    | 1013942  | BOLT-HEX: .25 X 2.25 NC GR5              | 1   |
| 5    | 1030946  | NUT-TOPLOCK: .25 NC GR5 ZP               | 1   |
| 6    | 305056   | PLATE-DEF FR MOUNT (1 ROW)               | 1   |
| 7    | 69954    | U-BOLT: .500 X 4.00 X 3 X 4.00           | 3   |
| 8    | 1027461  | NUT-TOPLOCK: .50 NC GR5 ZP               | 6   |
| 9    | 56263    | U-BOLT: .75 X 5.5 X 8 X 5.5              | 2   |
| 10   | 1017000  | NUT-TOPLOCK: .75 NC GR5 ZP               | 4   |
| 11   | 1012634  | WASHER-FLAT: SAE .75 ZP                  | 4   |
| 12   | 305410   | WLDMT-INDICATOR RF FRAME MOUNT           | 1   |
| 13   | 65332    | DECAL-RED/ORANGE FLUORESCENT (NOT SHOWN) | 1   |
| 14   | 56939    | BUSHING-OILITE: 1.25 X 1.625 X 1.5L      | 2   |
| 15   | 1011748  | ZERK-GREASE: .25 UNF STRAIGHT            | 1   |



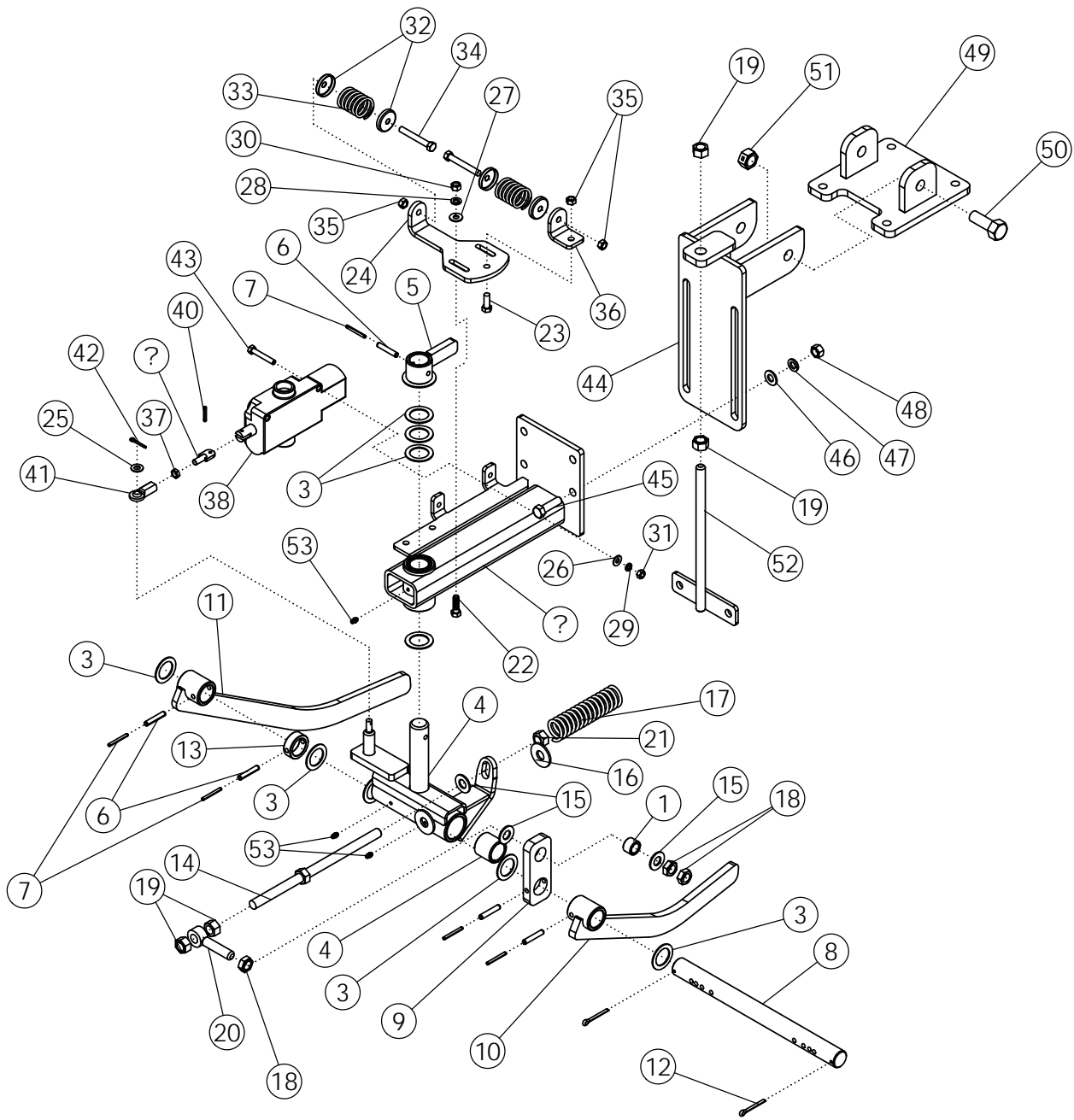
# ROW FINDER HYDRAULICS - FRAME MOUNTED

| ITEM | PART NO. | DESCRIPTION                            | QTY |
|------|----------|--|-----|
| 1    | 69999    | VALVE-DEF ROWFINDER RETURN             | 1   |
| 2    | 65901    | FTG-ELBOW: 10MB-8MJ-90                 | 1   |
| 3    | 58195    | FTG-ADAPTER: 10MB-8MJ                  | 1   |
| 4    | 69200    | CYLINDER-HYD 3 X 4 4PORT 23.5 CLOSED   | 1   |
| 5    | 56226    | FTG-ADAPTER: 8MB-8MJ                   | 6   |
| 6    | 58560    | FTG-ELBOW: 8MB-8MJ 90                  | 12  |
| 7    | 57668    | FTG-ELBOW: 8MJ-8FJX 90                 | 1   |
| 8    | 69167    | PIN-CYLINDER W/CLIPS 1.00 X 2.25       | 2   |
| 9    | 50714    | CLAMP .50" ZP                          | 10  |
| 10   | 1011603  | BOLT-HEX: .38 X 1.75 NC GR5 ZP         | 1   |
| 11   | 1013239  | BOLT-HEX: .38 X 3.00 NC GR5 ZP         | 4   |
| 12   | 1014608  | WASHER-FLAT: SAE .38 ZP                | 5   |
| 13   | 1011586  | WASHER-LOCK: .38 ZP                    | 5   |
| 14   | 305426   | HOSE: .38 X 30 8FJX-8FJX90             | 1   |
|      | 305204   | HOSE: .50 X 238 X 8MB-8FJX             |     |
| 15   | 305203   | HOSE: .50 X 236 8MB-8FJX90L            | 1   |
| 16   | 305043   | HOSE: .50 X 86 8FJX-8FJX90 (6R/8R)     | 1   |
|      | 69564    | HOSE: .50 X 108 8FJX-8FJX90 (9R/12R)   |     |
| 17   | 305044   | HOSE: .50 X 086 X 8FJX-8FJX90L (6R/8R) | 1   |
|      | 69565    | HOSE: .50 X 108 8FJX-8FJX90L (9R/12R)  |     |
| 18   | 305045   | HOSE: .50 X 092 X 8FJX-8FJX90L (6R/8R) | 1   |
|      | 69566    | HOSE: .50 X 114 8FJX-8FJX90L (9R/12R)  |     |
| 19   | 305046   | HOSE: .50 X 080 X 8FJX-8FJX90 (6R/8R)  | 3   |
|      | 69567    | HOSE: .50 X 102 8FJX-8FJX90 (9R/12R)   |     |
| 20   | 300254   | HOSE: .50 X 076 X 8FJX-8FJX            | 1   |
| 21   | 305201   | HOSE: .50 X 300 X 8MB-8FJX90           | 1   |
| 22   | 305202   | HOSE: .50 X 232 X 8FJX-8MB             | 1   |
| 23   | 300256   | HOSE: .50 X 236 X 8MB-8FJX90           | 1   |
| 24   | 58515    | FTG-ELBOW: 8MB-8MJ-45                  | 1   |
| 25   | 305441   | HOSE: .38 X 40 8FJX-8FJX90             | 1   |
|      | 305200   | HOSE: .50 X 245 X 8MB-8FJX             |     |



# HYDRAULIC ROW FINDER

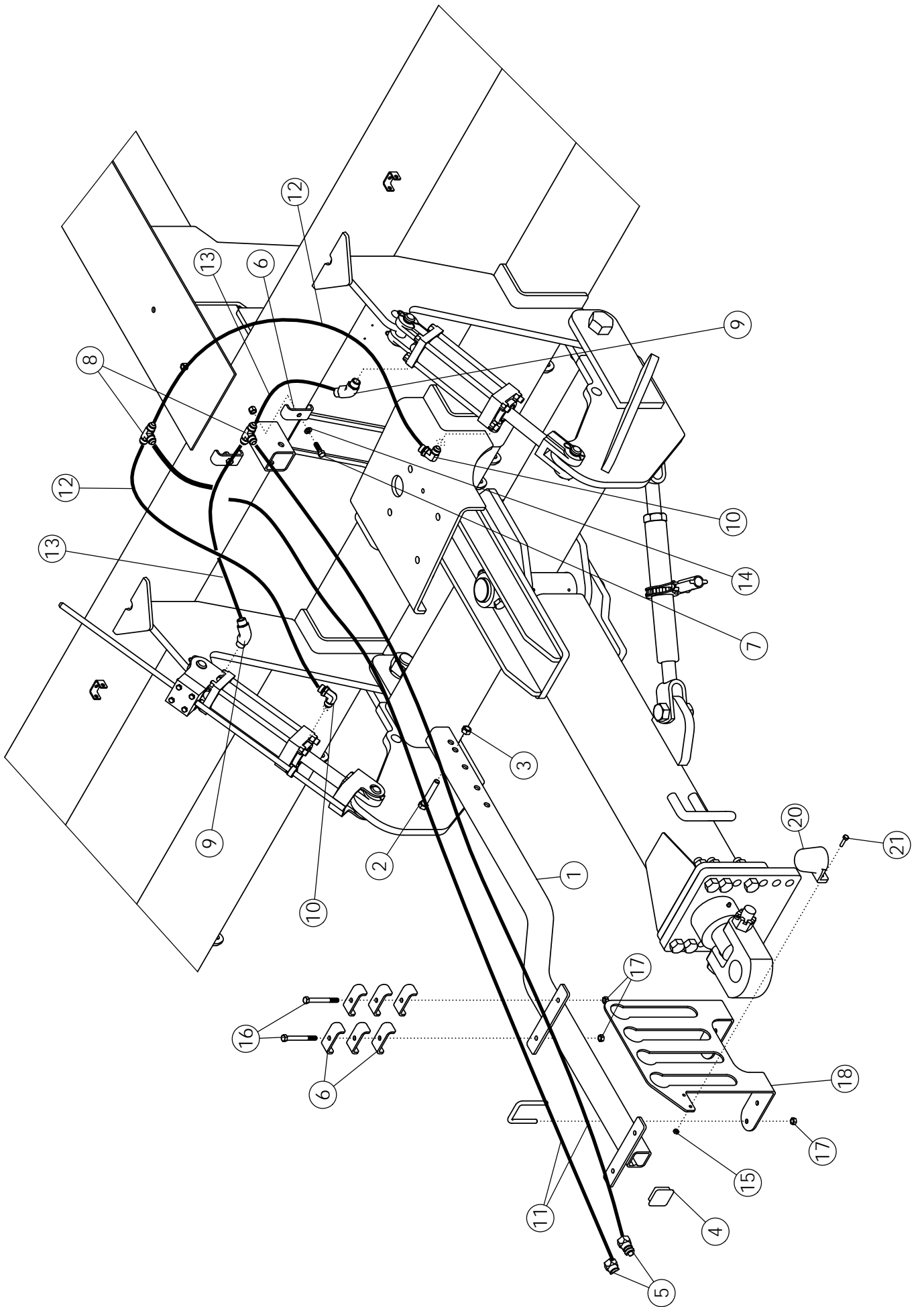
| ITEM | PART NO. | DESCRIPTION                           | QTY |
|------|----------|---------------------------------------|-----|
| 1    | 52567    | BUSHING-ZP                            | 1   |
| 2    | 62520    | ASSY-MAIN FRAME                       | 1   |
| 3    | 55206    | BUSHING-MACH: 1.25 NR 14GA            | 9   |
| 4    | 51139    | ASSY - SWIVEL                         | 1   |
| 5    | 51130    | WLDMT-FLIPPER                         | 1   |
| 6    | 1030793  | PIN-ROLL: .31 X 1.75 ZP               | 5   |
| 7    | 1030798  | PIN-ROLL: .19 X 1.75 ZP               | 5   |
| 8    | 51690    | SHAFT ZP                              | 1   |
| 9    | 52566    | TENSIONER ARM                         | 1   |
| 10   | 51131    | SENSOR ARM-L.H.                       | 1   |
| 11   | 52564    | SENSOR ARM-R.H.                       | 1   |
| 12   | 1030797  | PIN-COTTER: .19 X 1.75 NP             | 2   |
| 13   | 51137    | COLLAR                                | 1   |
| 14   | 52565    | ADJUSTMENT BOLT                       | 1   |
| 15   | 1013004  | WASHER-FLAT: SAE .63 ZP               | 3   |
| 16   | 1013024  | WASHER-FLAT: .63 ZP                   | 2   |
| 17   | 51692    | SPRING: .21 X 1.44 OD X 6.00 15 COILS | 1   |
| 18   | 1026259  | NUT-JAM: .63 NC GR2 ZP                | 3   |
| 19   | 1011578  | NUT-HEX: .63 NC GR2 ZP                | 4   |
| 20   | 51691    | EYEBOLT: .63 X 3.25 ZP                | 1   |
| 21   | 1016595  | NUT-TOPLOCK: .63 NC GR5 ZP            | 1   |
| 22   | 1011601  | BOLT-HEX: .38 X 1.25 NC GR5 ZP        | 2   |
| 23   | 1011600  | BOLT-HEX: .38 X 1.00 NC GR5 ZP        | 1   |
| 24   | 51129    | PLATE                                 | 1   |
| 25   | 1014608  | WASHER-FLT: SAE .38 ZP                | 1   |
| 26   | 1020416  | WASHER-FLAT: .25 ZP                   | 2   |
| 27   | 1011583  | WASHER-FLAT: .31 ZP                   | 2   |
| 28   | 1011586  | WASHER-LOCK: .38 ZP                   | 2   |
| 29   | 1029115  | WASHER-LOCK: .31 ZP                   | 2   |
| 30   | 1011576  | NUT-HEX: .38 NC GR2 ZP                | 2   |
| 31   | 1011575  | NUT-HEX: .31 NC GR2 ZP                | 2   |
| 32   | 52582    | SPRING CAP                            | 4   |
| 33   | 51689    | SPRING                                | 2   |
| 34   | 1019828  | BOLT-HEX: .38 X 2.75 NC GR5 ZP        | 2   |
| 35   | 1016999  | NUT-TOPLOCK: .38 NC GR5 ZP            | 3   |
| 36   | 51128    | SPRING PLATE                          | 1   |
| 37   | 1030792  | NUT-JAM: .38 NF GR2 ZP                | 1   |
| 38   | 301150   | VALVE-ROWFINDER O/C                   | 1   |
| 39   | 62540    | PLATE STUD ZP                         | 1   |
| 40   | 64157    | PIN-ROLL: .19 X 1.125 ZP              | 1   |





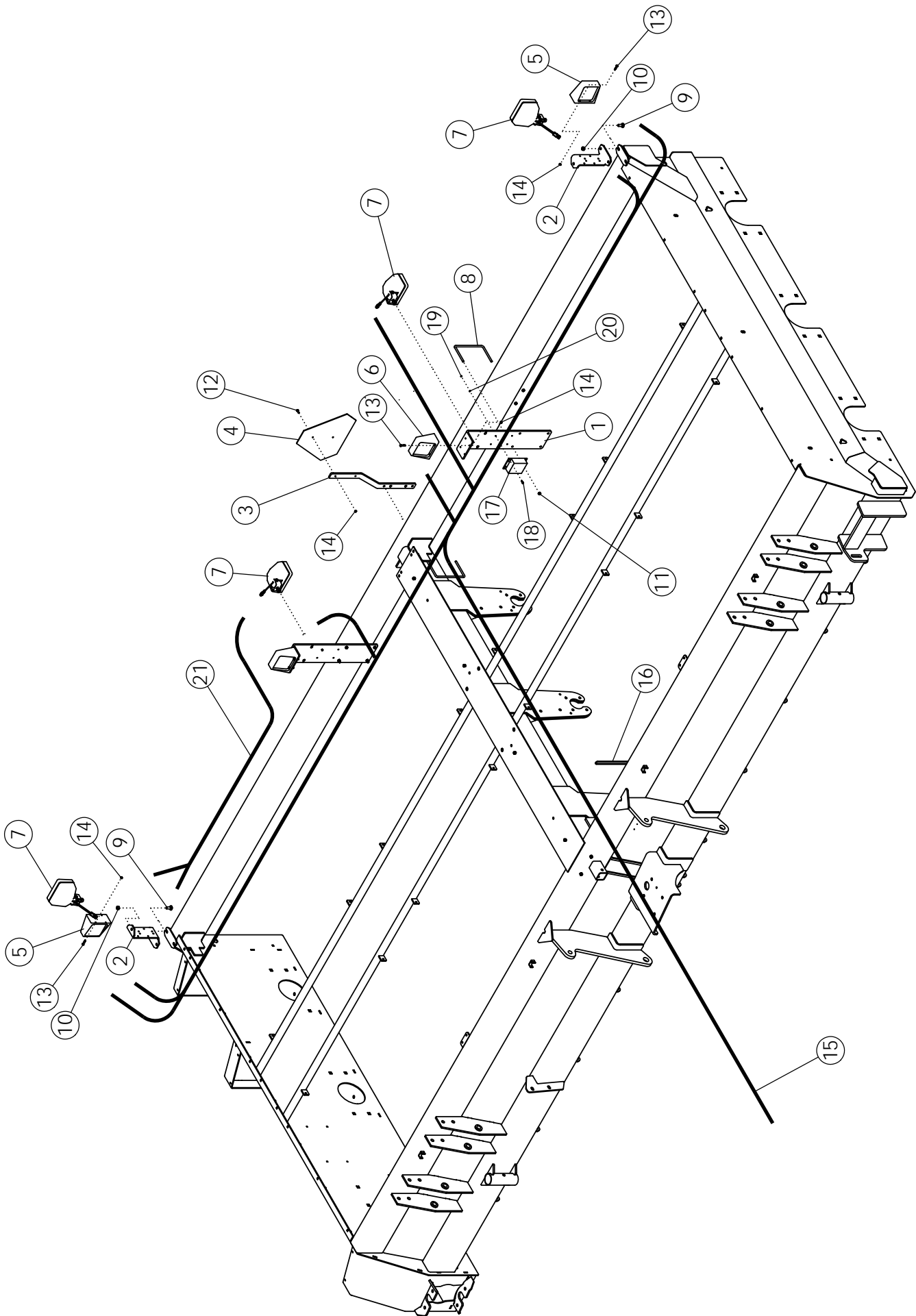
## HYDRAULIC ROW FINDER (CONTINUED)

| ITEM | PART NO. | DESCRIPTION                    | QTY |
|------|----------|--------------------------------|-----|
| 41   | 51136    | UNIBALL COUPLING               | 1   |
| 42   | 1029137  | PIN-COTTER: .13 X 1.00 ZP      | 1   |
| 43   | 1011285  | BOLT-HEX: .31 X 2.00 NC        | 2   |
| 44   | 52181    | MOUNTING BRACKET               | 1   |
| 45   | 1011608  | BOLT-HEX: .50 X 1.75 NC GR5 ZP | 4   |
| 46   | 1011584  | WASHER-FLAT: SAE .50 ZP        | 4   |
| 47   | 1011581  | WASHER-LOCK: .50 ZP            | 8   |
| 48   | 1011577  | NUT-HEX: .50 NC GR2 ZP         | 8   |
| 49   | 62871    | WLDMT-BRACKET                  | 1   |
| 50   | 1012060  | BOLT-HEX: .75 X 2.00 NC GR5 ZP | 2   |
| 51   | 1013537  | NUT-TOPLOCK: .75 NC GR5 ZP     | 2   |
| 52   | 62882    | TIGHTENER BOLT-ZP              | 1   |
| 53   | 1011748  | ZERK - GREASE                  | 3   |



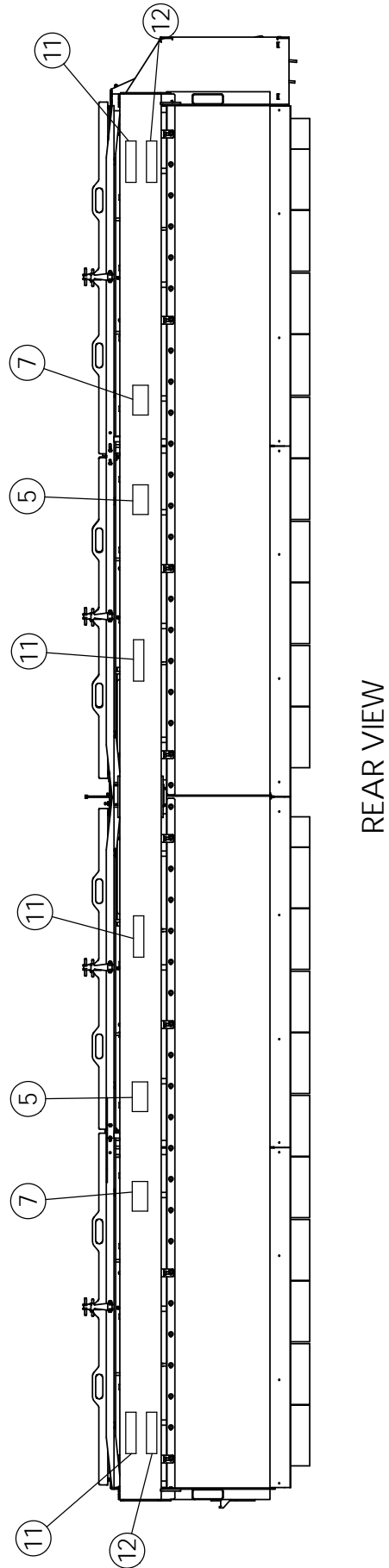
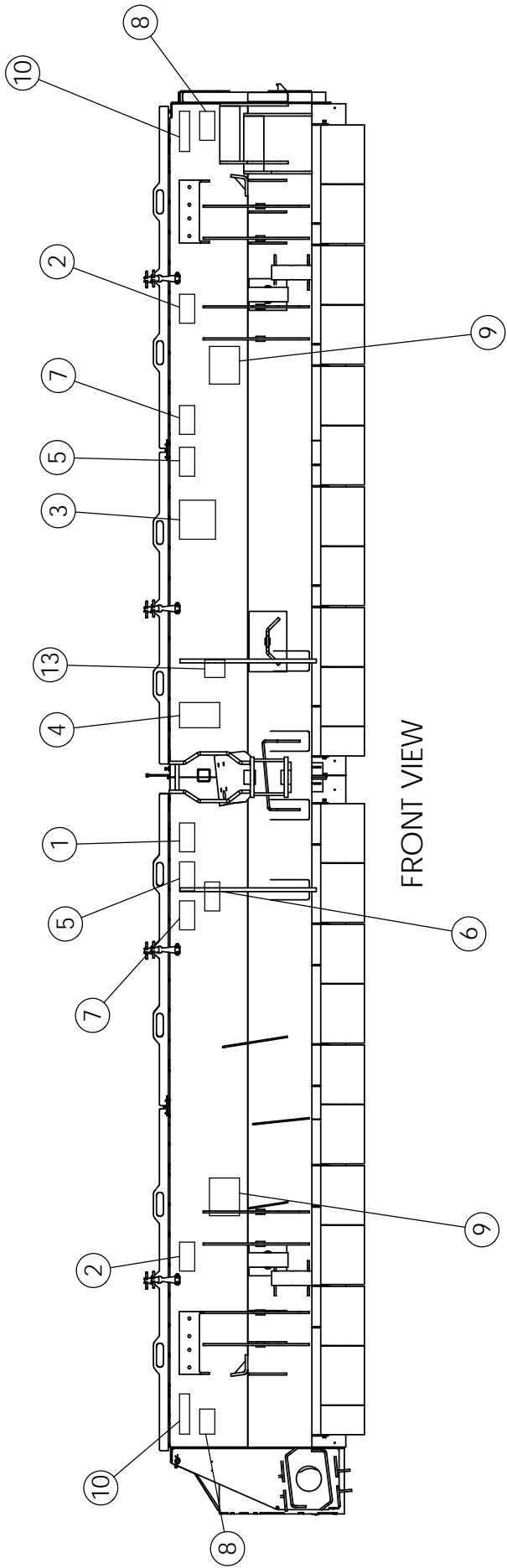
# HITCH HYDRAULICS

| ITEM | PART NO. | DESCRIPTION                       | QTY |
|------|----------|-----------------------------------|-----|
| 1    | 301210   | WLDMT-HYD HOSE HOLDER             | 1   |
| 2    | 1011611  | BOLT-HEX: .50 X 3.00 NC GR5 ZP    | 1   |
| 3    | 1027461  | NUT-TOPLOCK: .50 NC GR5 ZP        | 1   |
| 4    | 301129   | CAPLUG-2" SQ .188 WA              | 1   |
| 5    | 36290    | PIONEER TIP 8010-15 (#8 ORB)      | 2   |
| 6    | 50714    | CLAMP .50 ZP                      | 14  |
| 7    | 1011601  | BOLT-HEX: .38 X 1.25 NC GR5 ZP    | 2   |
| 8    | 57667    | FTG-TEE: 8MJ-8MJ-8MJ              | 2   |
| 9    | 58515    | FTG-ELBOW: 8MB-8MJ-45             | 2   |
| 10   | 58560    | FTG-ELBOW: 8MB-8MJ-90             | 2   |
| 11   | 300053   | HOSE: .50 X 108 8MB-8FJX          | 2   |
| 12   | 57000    | HOSE .50 X 34 8FJX-8FJX           | 2   |
| 13   | 44174    | HOSE: .50 X 24 8FJX-8FJX          | 2   |
| 14   | 1011586  | WASHER-LOCK: .38 ZP               | 2   |
| 15   | 1030946  | NUT-TOPLOCK: .25 NC GR5 ZP        | 2   |
| 16   | 58176    | BOLT-HEX: .38 X 3.50 NC GR5 ZP    | 4   |
|      | 1015174  | BOLT-HEX: .38 X 2.50 NC GR5 ZP    |     |
| 17   | 1016999  | NUT-TOPLOCK: .38 NC GR5 ZP        | 8   |
| 18   | 301900   | PLATE-HYD HOSE HOLDER PIONEER TIP | 1   |
| 19   | 33162    | U-BOLT: .375 X 3 X 2 X 3          | 2   |
| 20   | 223329   | HOLDER-LIGHT PLUG                 | 1   |
| 21   | 1013423  | BOLT-HEX: .25 X 1.00 NC GR5 ZP    | 2   |



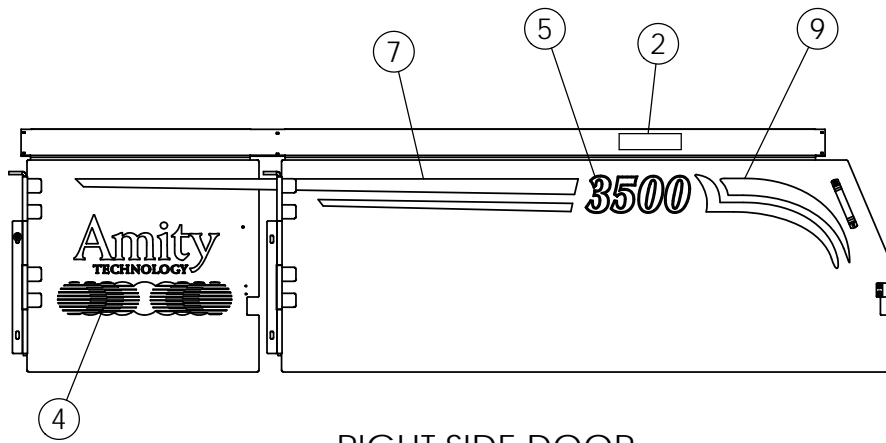
# LIGHT KIT

| ITEM | PART NO. | DESCRIPTION                    | QTY |
|------|----------|--------------------------------|-----|
| 1    | 64287    | PLATE-LIGHT BRACKET            | 2   |
| 2    | 305208   | PLATE-LIGHT BRACKET            | 2   |
| 3    | 64246    | MOUNT-SMV SIGN                 | 1   |
| 4    | 65329    | SIGN-SMV ASAE                  | 1   |
| 5    | 65954    | LAMP-AMBER TAIL                | 2   |
| 6    | 65953    | LAMP-RED TAIL                  | 2   |
| 7    | 62900    | LIGHT-FLOOD                    | 4   |
| 8    | 64244    | U-BOLT: .375 X 5.13 X 8 X 5.13 | 5   |
| 9    | 1023854  | BOLT-CRG: .50 X 1.25 NC GR5 ZP | 4   |
| 10   | 1027461  | NUT-TOPLOCK: .50 NC GR5 ZP     | 4   |
| 11   | 1016999  | NUT-TOPLOCK: .38 NC GR5 ZP     | 10  |
| 12   | 1011595  | BOLT-HEX: .25 X .75 NC GR5 ZP  | 2   |
| 13   | 1013940  | BOLT-HEX: .25 X 1.25 NC GR5    | 16  |
| 14   | 1030946  | NUT-TOPLOCK: .25 NC GR5 ZP     | 18  |
| 15   | 63872    | HARNESS-DEFOLIATOR 12R         | 1   |
| 16   | 1013122  | TIE-CABLE, NYLON 14.00"        | 12  |
| 17   | 65341    | MODULE-INTERFACE               | 1   |
| 18   | 0100615  | BOLT-HEX: .19 X .75 NC GR5 ZP  | 4   |
| 19   | 1011588  | NUT-JAM: .19 NC GR2 ZP         | 4   |
| 20   | 65681    | WASHER-LOCK: .19 ZP            | 4   |
| 21   | 68718    | HARNESS-"Y" EXTENSION          | 2   |

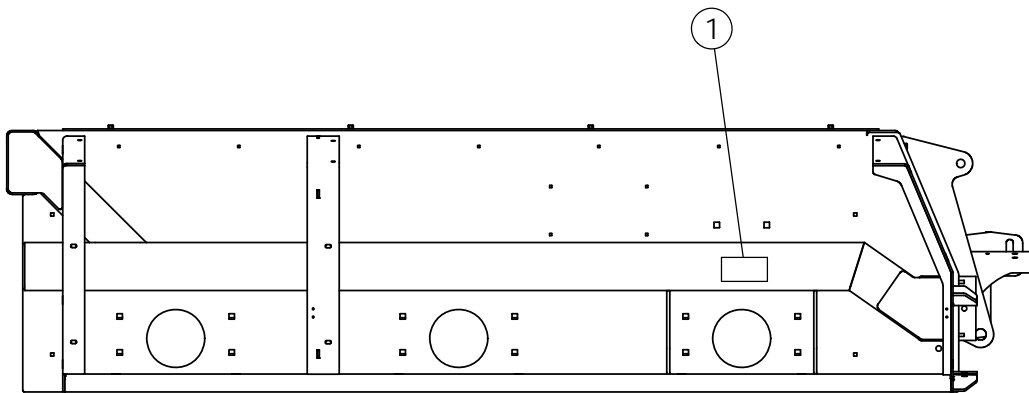


# DECALS

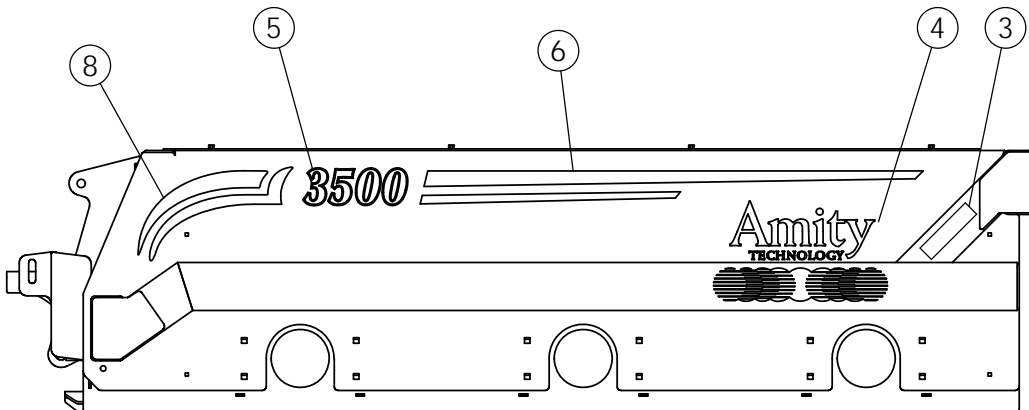
| ITEM | PART NO. | DESCRIPTION                  | QTY |
|------|----------|------------------------------|-----|
| 1    | 52341    | DECAL-WARNING                | 1   |
| 2    | 52334    | DECAL-WARNING                | 2   |
| 3    | 52329    | DECAL-DANGER                 | 1   |
| 4    | 52339    | DECAL-WARNING                | 1   |
| 5    | 52340    | DECAL-DANGER                 | 4   |
| 6    | 52338    | DECAL DANGER                 | 1   |
| 7    | 52336    | DECAL-CAUTION                | 4   |
| 8    | 64617    | DECAL-DANGER                 | 2   |
| 9    | 63465    | DECAL-LOGO                   | 2   |
| 10   | 65331    | DECAL-RETROFLECTIVE-YELLOW   | 2   |
| 11   | 65330    | DECAL-RETROFLECTIVE-RED      | 4   |
| 12   | 65332    | DECAL-RED ORANGE FLUORESCENT | 2   |
| 13   | 62964    | DECAL-WARNING                | 1   |



RIGHT SIDE DOOR



RIGHT SIDE  
UNDERNEATH DOOR

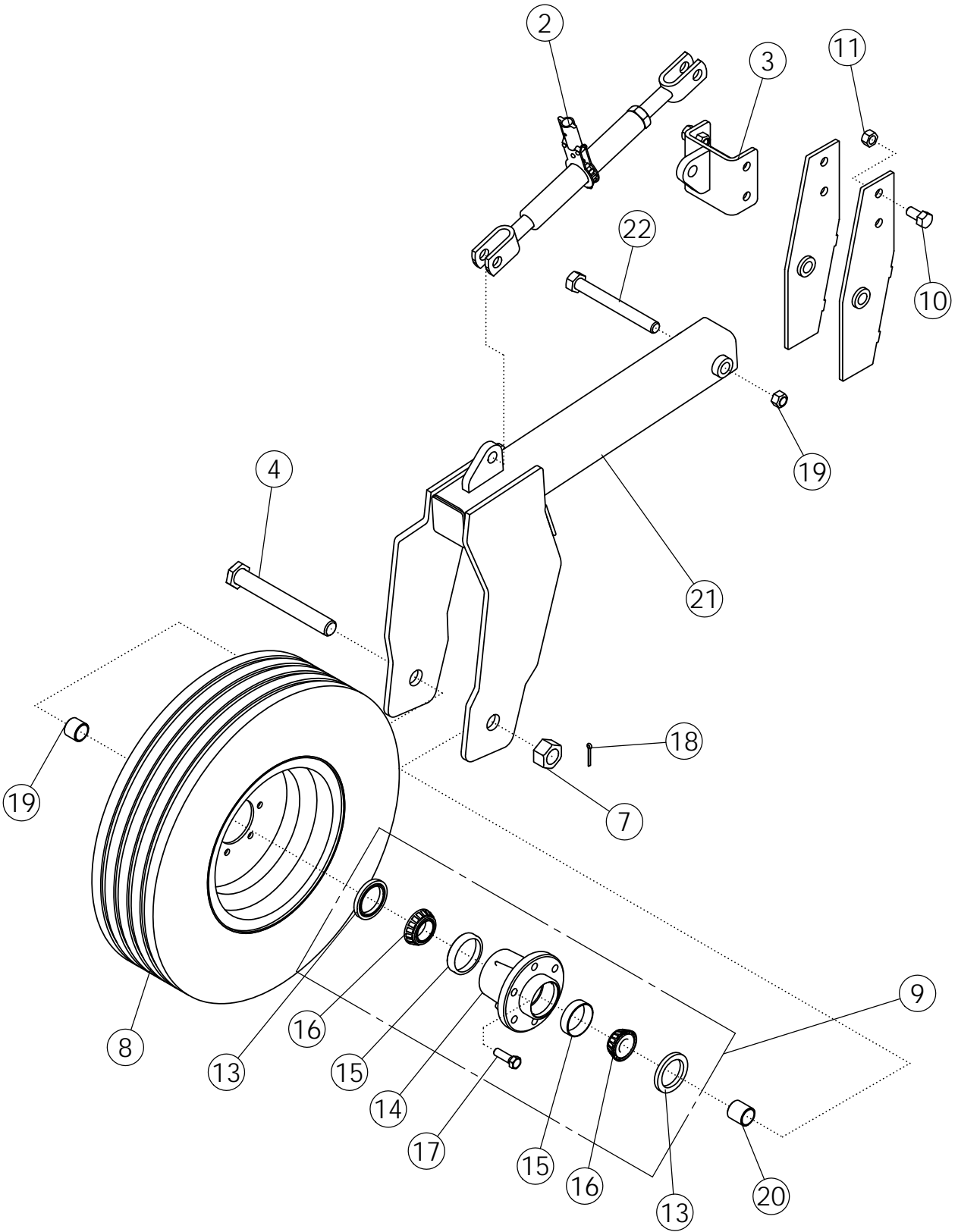


LEFT SIDE



# DECALS

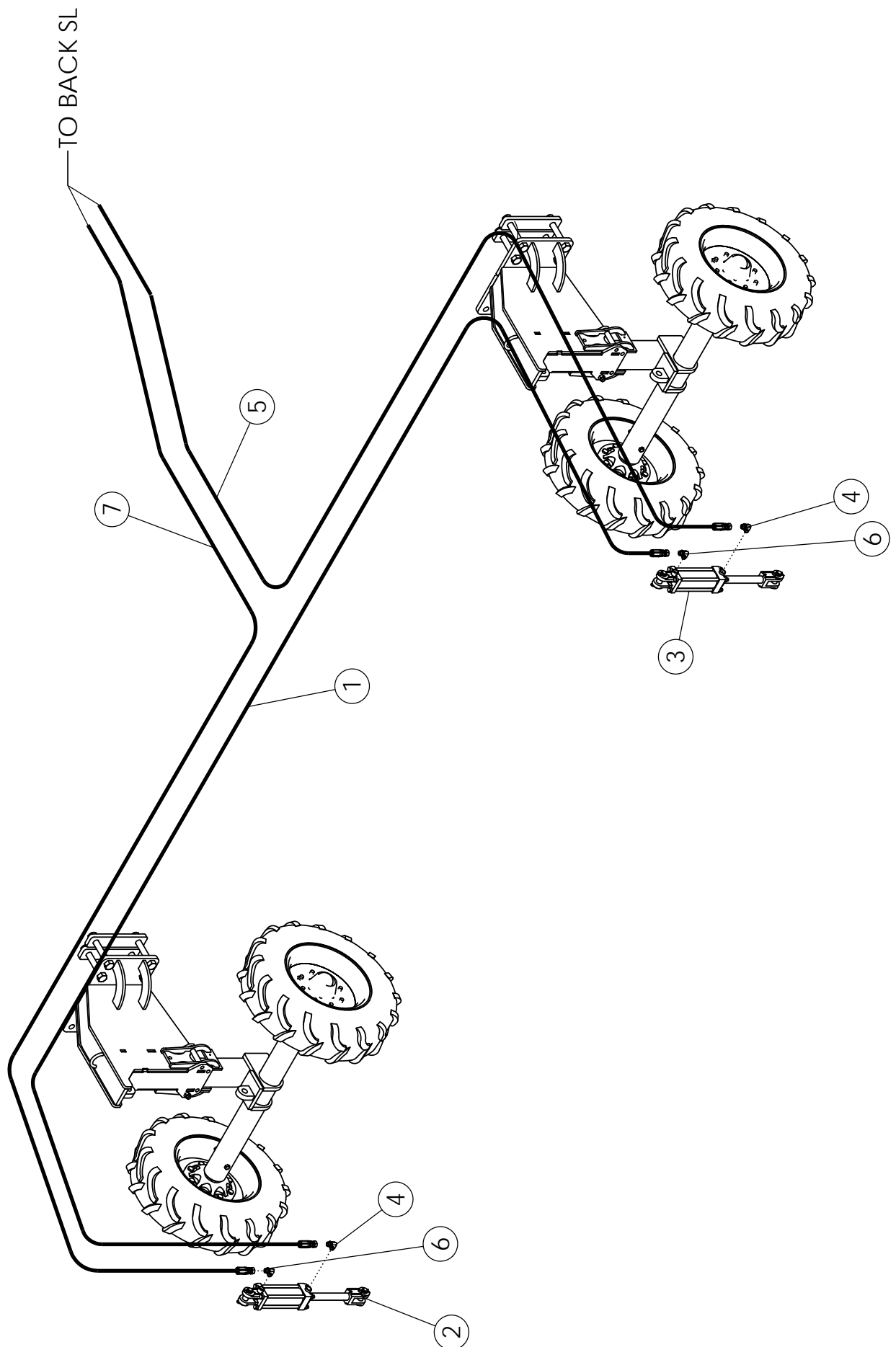
| ITEM | PART NO. | DESCRIPTION                   | QTY |
|------|----------|-------------------------------|-----|
| 1    | 52341    | DECAL-WARNING SHIELDS         | 1   |
| 2    | 52329    | DECAL-DANGER MOVING PART      | 1   |
| 3    | 65331    | DECAL-YELLOW RETROFLECTIVE    | 2   |
| 4    | 69399    | DECAL-AMITY LOGO 12X24        | 2   |
| 5    | 69400    | DECAL-3300 6X12 (6R22,4R30)   | 2   |
|      | 69402    | DECAL-3500 6X12 (8R22, 6R30)  |     |
|      | 69403    | DECAL-3600 6X12 (9R)          |     |
|      | 69404    | DECAL-3700 6X12 (12R22, 8R30) |     |
|      | 305692   | DECAL-3750 6X12               |     |
| 6    | 69406    | DECAL-LH STRIPE               | 1   |
| 7    | 69408    | DECAL-RH STRIPE               | 1   |
| 8    | 69405    | DECAL-LH CURVE                | 1   |
| 9    | 69407    | DECAL-RH CURVE                | 1   |



## FRONT STABILIZER STRUT (OPTIONAL)

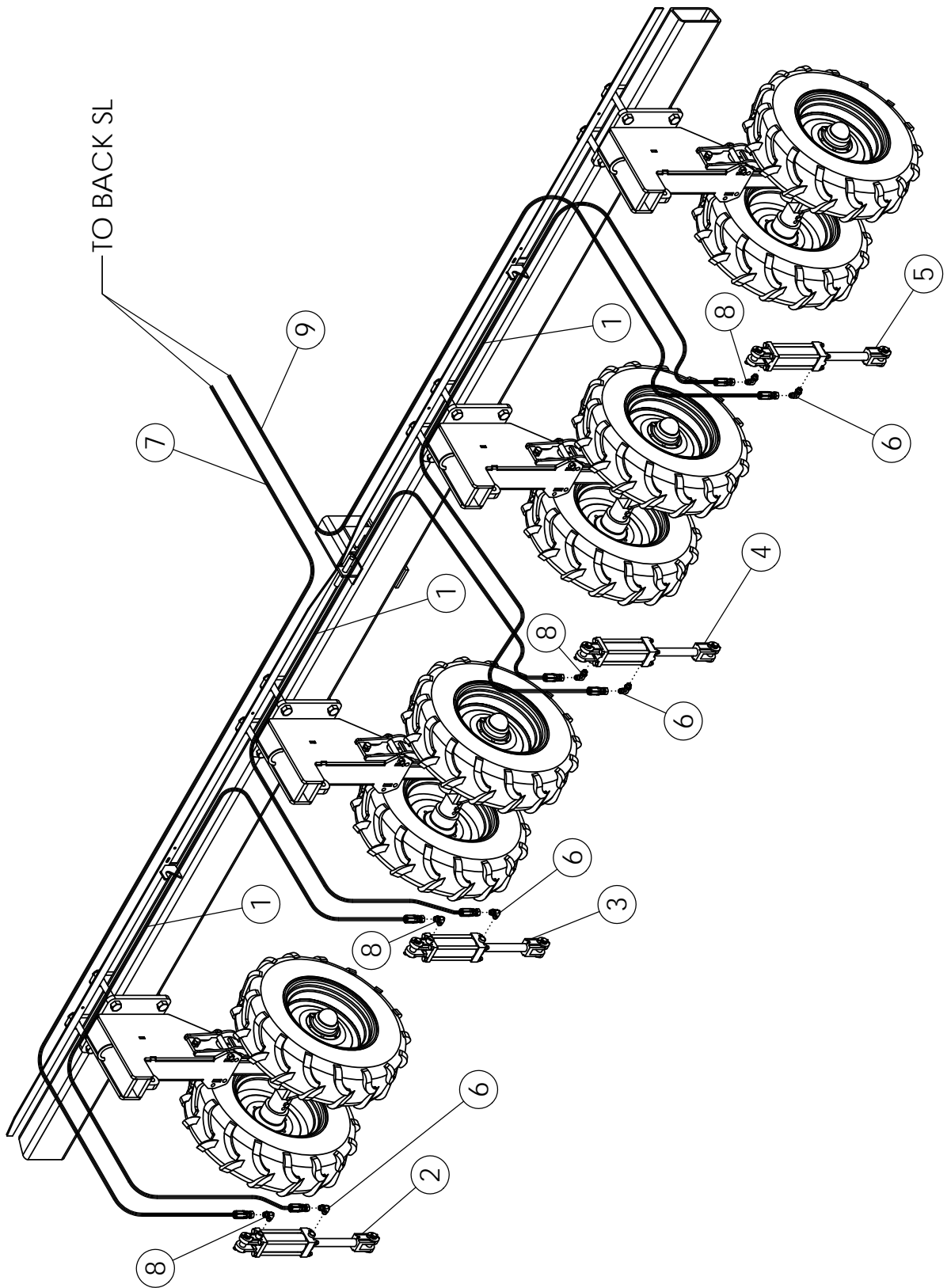
| ITEM | PART NO. | DESCRIPTION                      | QTY |
|------|----------|----------------------------------|-----|
| 1    | 68787    | WLDMT-STABILIZER STRUT           | 1   |
| 2    | 52407    | RATCHET JACK-PAINTED             | 1   |
| 3    | 68468    | WLDMT-LUG MOUNT                  | 1   |
| 4    | 68914    | WLDMT-STABILIZER SPINDLE         | 1   |
| 5    | 68916    | SPINDLE SPACER-SHORT             | 1   |
| 6    | 68913    | SPINDLE SPACER-LONG              | 1   |
| 7    | 69000    | NUT-HEX: SLOT 1.38 NF GR2 ZP     | 1   |
| 8    | 68915    | TIRE-MOUNTED: 6.50-16 6 PLY      | 1   |
| 9    | 68911    | HUB-6 BOLT COMPLETE              | 1   |
| 10   | 62412    | BOLT-HEX: .75 X 1.75 NC GR5 ZP   | 4   |
| 11   | 1017000  | NUT-TOPLOCK: .75 NC GR5 ZP       | 4   |
| 12   | 1030866  | BOLT-HEX: 1.00 X 9.00 NC GR8 ZP  | 1   |
| 13   | 68932*   | SEAL-OIL CR                      | 2   |
| 14   | 69013*   | HUB-STABILIZER                   | 1   |
| 15   | 69012*   | BEARING-CUP                      | 2   |
| 16   | 68930*   | BEARING-CONE 1.375 BORE          | 2   |
| 17   | 68931*   | BOLT-WHEEL LUG .562-18UNF X 1.75 | 6   |
| 18   | 63979    | PIN-COTTER: .19 X 2.50 ZP        | 1   |
| 19   | 1016969  | NUT-TOPLOCK: 1.00 NC GR5 ZP      | 1   |

\* Items are included in Item 9



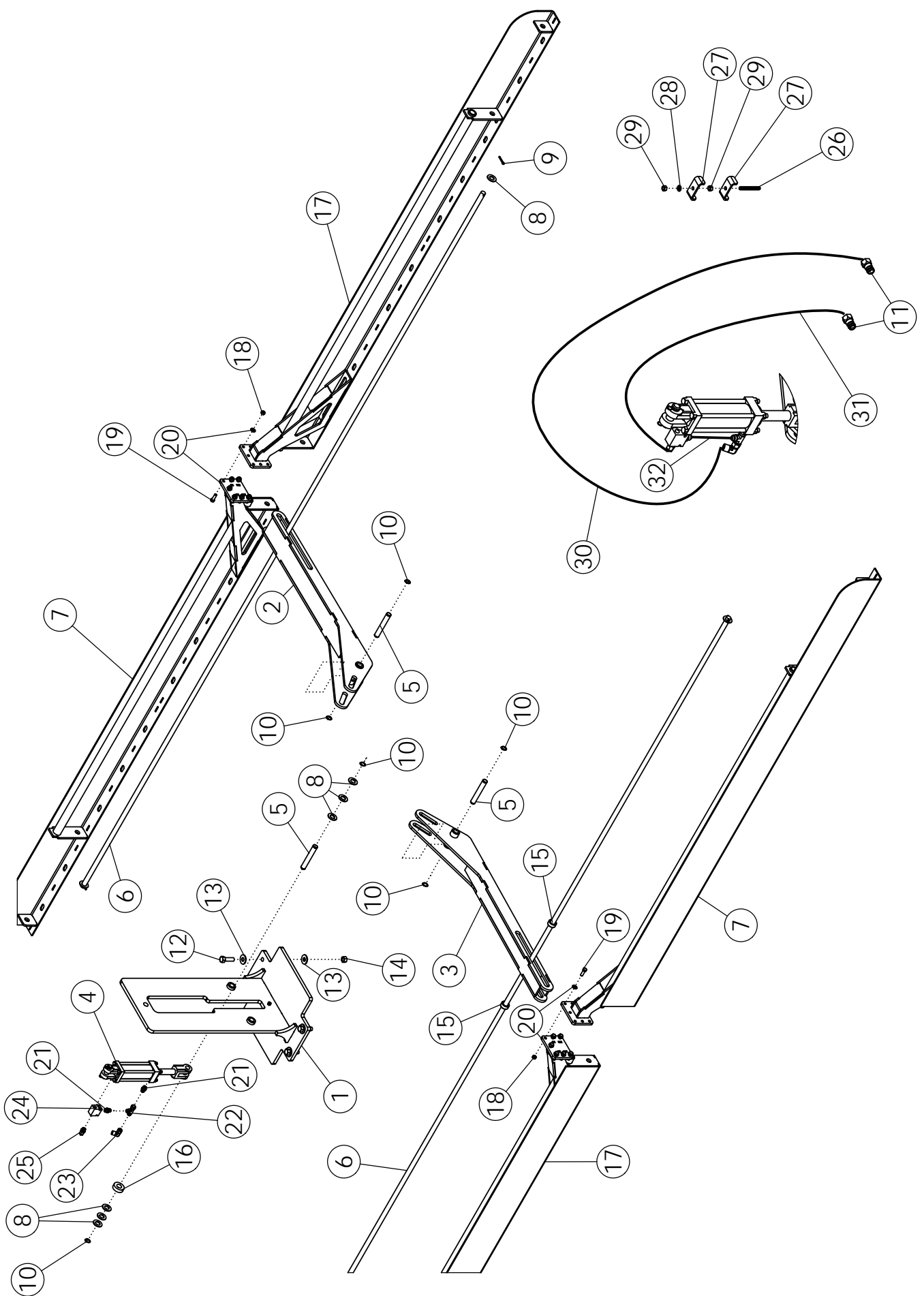
## REAR STRUT HYDRAULICS - 11.2 X 24 TIRES (OPTIONAL)

| ITEM | PART NO. | DESCRIPTION                       | QTY |
|------|----------|-----------------------------------|-----|
| 1    | 72477    | HOSE: .38 X 220 8FJX-8FJX         | 1   |
| 2    | 63500    | CYLINDER-HYDRAULIC 3.25 X 8" 3000 | 1   |
|      | 66083    | SEAL KIT FOR 63500                |     |
| 3    | 63499    | CYLINDER-HYDRAULIC 3 X 8" 3000    | 1   |
|      | 301314   | SEAL KIT FOR 63499 UNIVERSAL      |     |
| 4    | 58560    | FTG-ELBOW: 8MB-8MJ-90             | 4   |
| 5    | 300047   | HOSE: .38 X 348 8MB-8FJX          | 1   |
| 6    | 36290    | PIONEER TIP 8010-15 (#8 ORB)      | 2   |
| 7    | 300042   | HOSE: .38 X 336 8MB-8FJX          | 1   |



## REAR STRUT HYDRAULICS - 7.6 X 15 (OPTIONAL)

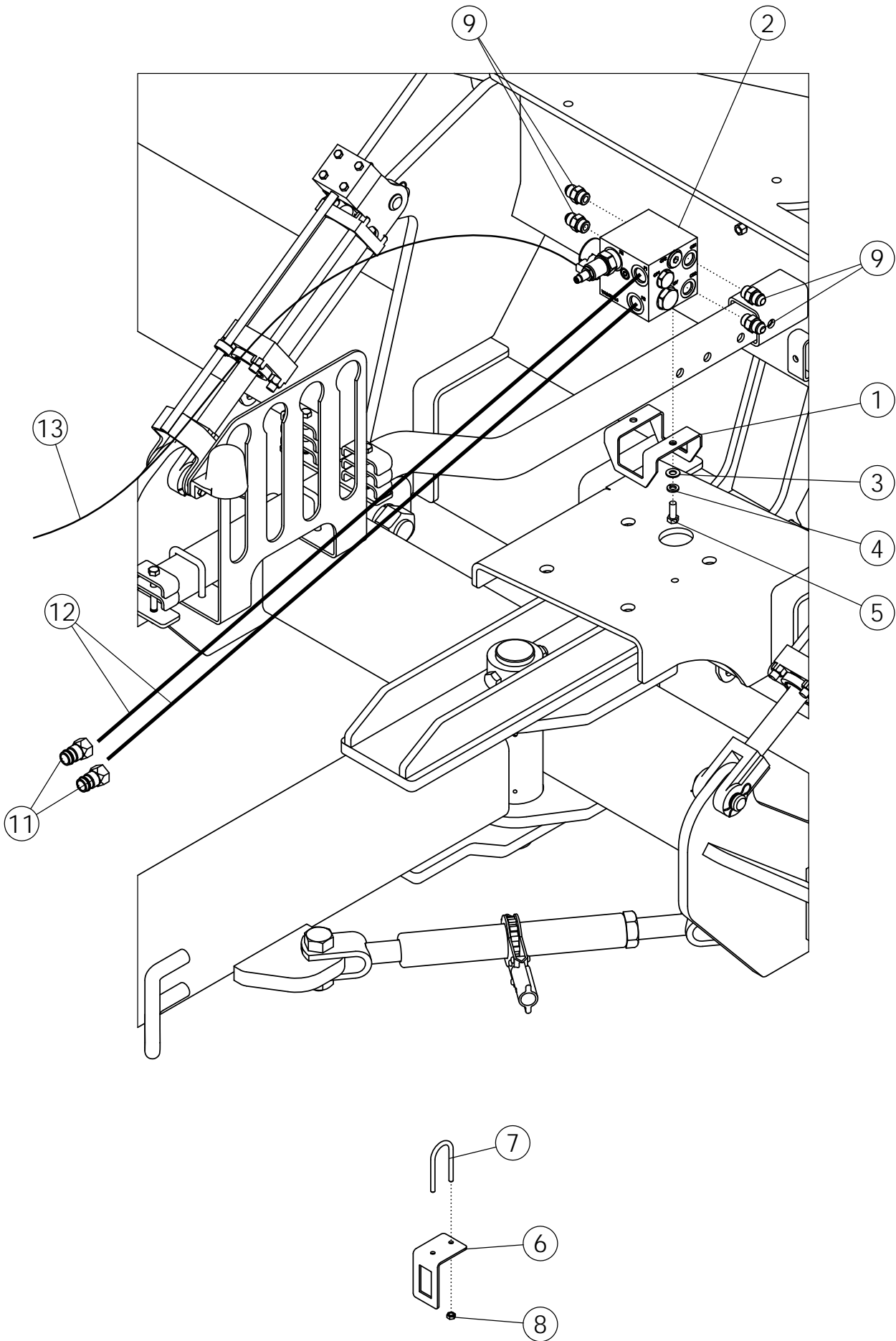
| ITEM | PART NO. | DESCRIPTION                       | QTY |
|------|----------|-----------------------------------|-----|
| 1    | 64482    | HOSE: .38 X 126 8FJX-8FJX         | 3   |
| 2    | 63500    | CYLINDER-HYDRAULIC 3.25 X 8" 3000 | 1   |
|      | 66083    | SEAL KIT FOR 63500                |     |
| 3    | 63499    | CYLINDER-HYDRAULIC 3 X 8" 3000    | 1   |
|      | 301314   | SEAL KIT FOR 63499                |     |
| 4    | 63498    | CYLINDER-HYDRAULIC 2.75 X 8" 3000 | 1   |
|      | 64424    | SEAL KIT FOR 63498                |     |
| 5    | 63497    | CYLINDER-HYDRAULIC 2.50 X 8" 3000 | 1   |
|      | 64423    | SEAL KIT FOR 63497                |     |
| 6    | 58560    | FTG-ELBOW: 8MB-8MJ-90             | 8   |
| 7    | 305674   | HOSE: .38 X 106 8FJX-8FJX         | 1   |
| 8    | 305402   | FTG-ELBOW: 8MB-8MJ-90L            | 2   |
| 9    | 305577   | HOSE: .38 X 116 8FJX-8FJX         | 1   |





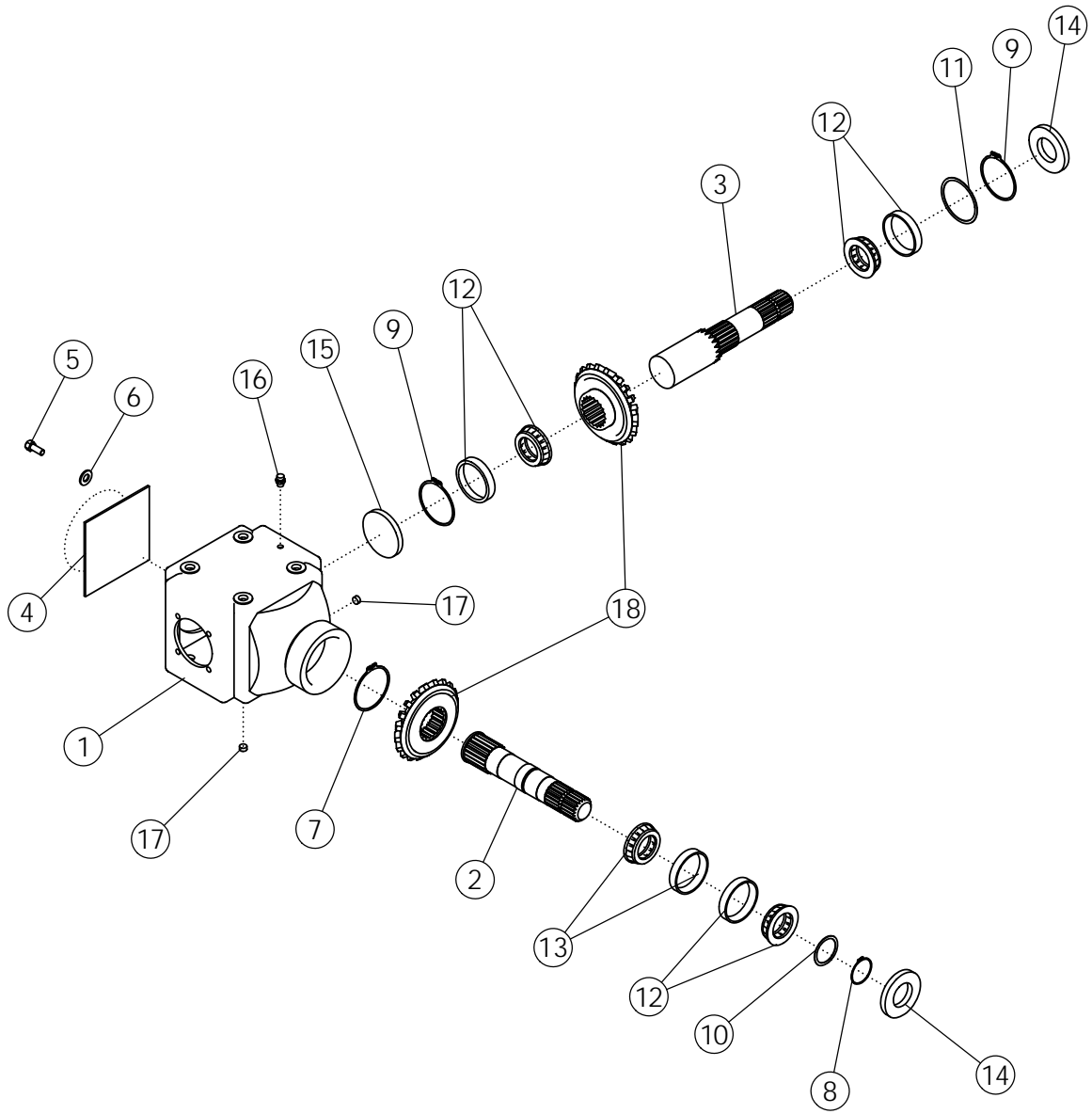
## ASSY-TOP DOOR LIFT - 12 ROW

| ITEM | PART NO. | DESCRIPTION                        | QTY |
|------|----------|------------------------------------|-----|
| 1    | 305357   | WLDMT-DEF TOP DOOR TOWER           | 1   |
| 2    | 305361   | WLDMT-DEF TOP DOOR ARMS REAR       | 1   |
| 3    | 305364   | WLDMT-DEF TOP DOOR ARMS FRONT      | 1   |
| 4    | 58890    | CYLINDER HYDRAULIC 3 X 8           | 1   |
|      | 301314   | SEAL KIT 3 X 8 3000PSI UNIVERSAL   |     |
| 5    | 305380   | PIN-DEF TOP DOOR TOWER             | 3   |
| 6    | 305378   | ROD-DEF TOP DOOR ROLLER SHAFT 12R  | 2   |
| 7    | 305373   | WLDMT-DEF TOP DOOR WING A          | 2   |
| 8    | 1016663  | WASHER-FLAT: SAE 1.00 ZP           | 10  |
| 9    | 1016944  | PIN-COTTER: .25 X 2.00 ZP          | 4   |
| 10   | 36430    | RING-RETAINING 1.000 ZP            | 6   |
| 11   | 36290    | PIONEER TIP 8010-15P (#8 ORB)      | 2   |
| 12   | 1016598  | BOLT- .75 X 2.50 NC GR5 ZP         | 4   |
| 13   | 1030702  | WASHER-FLAT .75 ZP                 | 8   |
| 14   | 1017000  | NUT-TOPLOCK: .75 NC GR5 ZP         | 4   |
| 15   | 305379   | BUSHING-DEF TOP DOOR WING FRONT ZP | 2   |
| 16   | 305381   | PLATE-CYLINDER ROLLER ZP           | 1   |
| 17   | 305375   | WLDMT-DEF TOP DOOR WING B          | 2   |
| 18   | 1027461  | NUT-TOPLOCK: .50 NC GR5 ZP         | 14  |
| 19   | 1011607  | BOLT-HEX: .50 X 1.50 NC GR5 ZP     | 14  |
| 20   | 1032505  | WASHER-FLAT: SAE .50 GR8 ZP        | 28  |
| 21   | 56226    | FTG-ADAPTER: 8MB-8MJ               | 2   |
| 22   | 63015    | FTG-TEE: 8MJ-8FJX-8MJ              | 1   |
| 23   | 1015801  | FTG-ELBOW: 8MJ-8FJX 90             | 1   |
| 24   | 305404   | VALVE-CHECK SINGLE PILOT OPERATED  | 1   |
| 25   | 58560    | FTG-ELBOW: 8MB-8MJ-90              | 1   |
| 26   | 65379    | STUD-.375 X 3.00 UNC ZP            | 1   |
| 27   | 50714    | CLAMP .50 ZP                       | 2   |
| 28   | 1011586  | WASHER-LOCK: .38 ZP                | 1   |
| 29   | 1011576  | NUT-HEX: .38 NC GR2 ZP             | 2   |
| 30   | 305394   | HOSE: .38 X 176 8MB-8FJX           | 1   |
| 31   | 305395   | HOSE: .38 X 186 8MB-8FJX           | 1   |
| 32   | 305345   | HOSE: .38 X 8.25 8FJX-8FJX         | 1   |
| 33   | 305343   | FTG-ADAPTER: 8MB-8MB               | 1   |



# FLOATING HITCH KIT

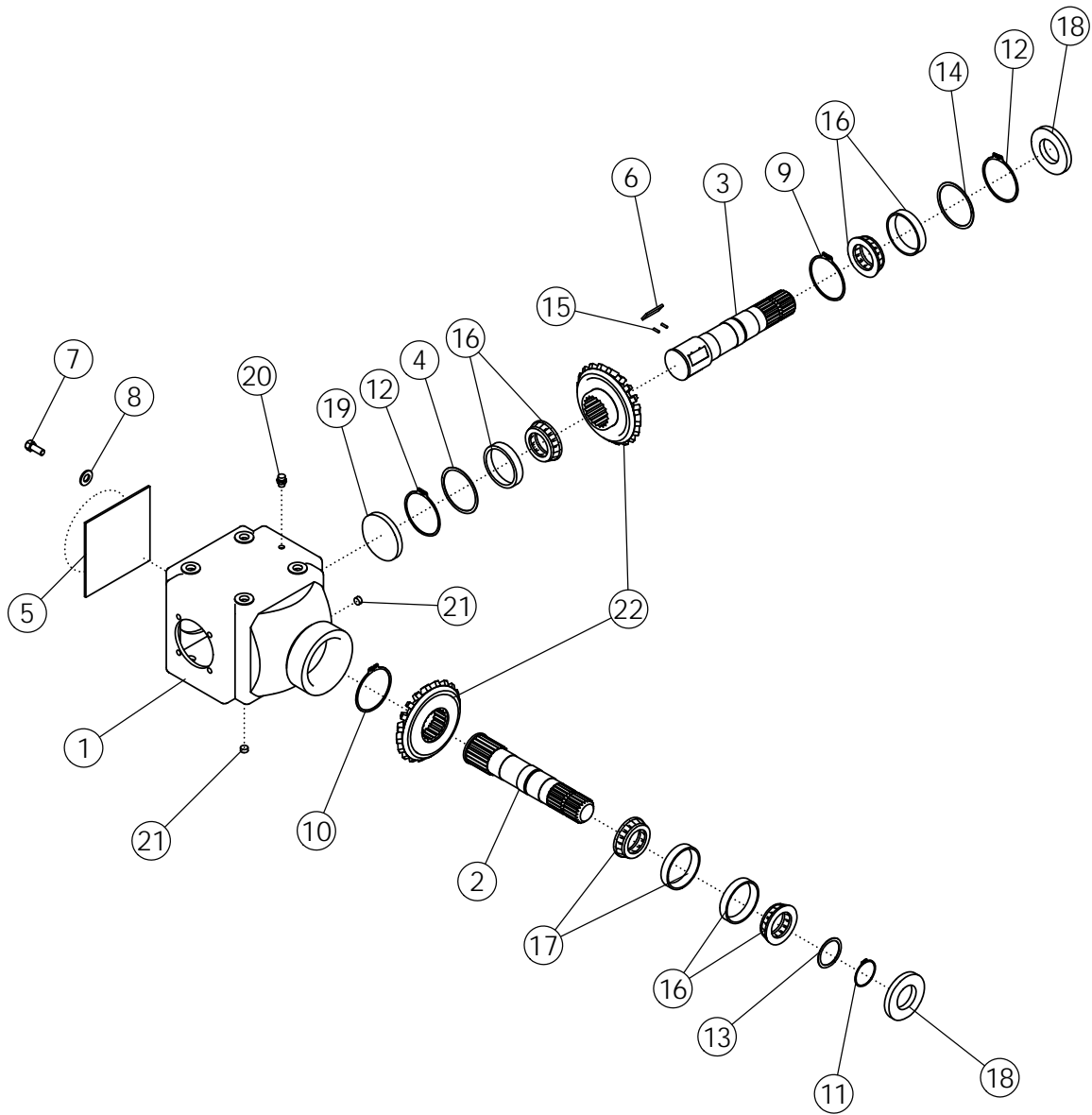
| ITEM | PART NO. | DESCRIPTION                                | QTY |
|------|----------|--|-----|
| 1    | 305430   | PLATE-VALVE MOUNT                          | 1   |
| 2    | 305791   | FLOATING HITCH VALVE                       | 1   |
| 3    | 1014608  | WASHER-FLT: SAE .38 ZP                     | 2   |
| 4    | 1011586  | WASHER-LOCK: .38 ZP                        | 2   |
| 5    | 1011600  | BOLT-HEX: .38 X 1.00 NC GR5 ZP             | 2   |
| 6    | 305792   | PLATE-SWITCH BRACKET                       | 1   |
| 7    | 340068   | U-BOLT: RND .25 X 1.25 X 2.25 ZP           | 1   |
| 8    | 1030946  | NUT-TOPLOCK: .25 NC GR5 ZP                 | 1   |
| 9    | 56226    | FTG-ADAPTER: 8MB-8MJ                       | 4   |
| 10   | 305793   | ASSY-SWITCH SPST ONE RED LIGHT (NOT SHOWN) | 1   |
| 11   | 36291    | PIONEER TIP 8010-16P (#10 ORB)             | 2   |
| 12   | 305431   | HOSE: .63 X 108 10MB-10MB                  | 2   |
| 13   | 305440   | HARNESS-FLOATING HITCH                     | 1   |



# GEARBOX L-TYPE

| ITEM | PART NO.     | DESCRIPTION                                   | QTY |
|------|--------------|---|-----|
| --   | <b>68065</b> | <b>GEARBOX-S2125 1.35:1 L</b>                 | -   |
| 1    | 68181        | HOUSING                                       | 1   |
| 2    | 68182        | SHAFT   | 1   |
| 3    | 68183        | INPUT SHAFT                                   | 1   |
| 4    | 68184        | SLEEVE  | 1   |
| 5    | 68185        | SCREW-BOLT HEX M10 X 25 CL8.8                 | 8   |
| 6    | 68186        | WASHER  | 8   |
| 7    | 52521        | SNAP RING: EXTERNAL                           | 1   |
| 8    | 54209        | SNAP RING                                     | 1   |
| 9    | 54210        | SNAP RING                                     | 2   |
| 10   | 54218        | SPACER RING -- .012 PER M THICKNESS           | AR  |
|      | 54219        | SPACER RING -- .016 PER M THICKNESS           |     |
|      | 54220        | SPACER RING -- .024 PER M THICKNESS           |     |
|      | 54221        | SPACER RING -- .032 PER M THICKNESS           |     |
|      | 54222        | SPACER RING -- .040 PER M THICKNESS           |     |
|      | 64421        | KIT-SPACER RING (INCLUDES SPACERS IN ITEM 10) |     |
| 11   | 54223        | SPACER RING -- .012 PER M THICKNESS           | AR  |
|      | 54224        | SPACER RING -- .016 PER M THICKNESS           |     |
|      | 54225        | SPACER RING -- .024 PER M THICKNESS           |     |
|      | 54226        | SPACER RING -- .032 PER M THICKNESS           |     |
|      | 59958        | SPACER RING -- 1.00 PER M THICKNESS           |     |
|      | 64422        | KIT-SPACER RING (INCLUDES SPACERS IN ITEM 11) |     |
| 12   | 54212        | BEARING ROLLER                                | 3   |
| 13   | 68187        | BEARING ROLLER                                | 1   |
| 14   | 54214        | SEALING RING                                  | 2   |
| 15   | 54217        | CLOSING CAP                                   | 1   |
| 16   | 54204        | VENT PLUG                                     | 1   |
| 17   | 54215        | OIL PLUG                                      | 5   |
| 18   | 68188        | BEVEL GEAR SET*                               | 1   |

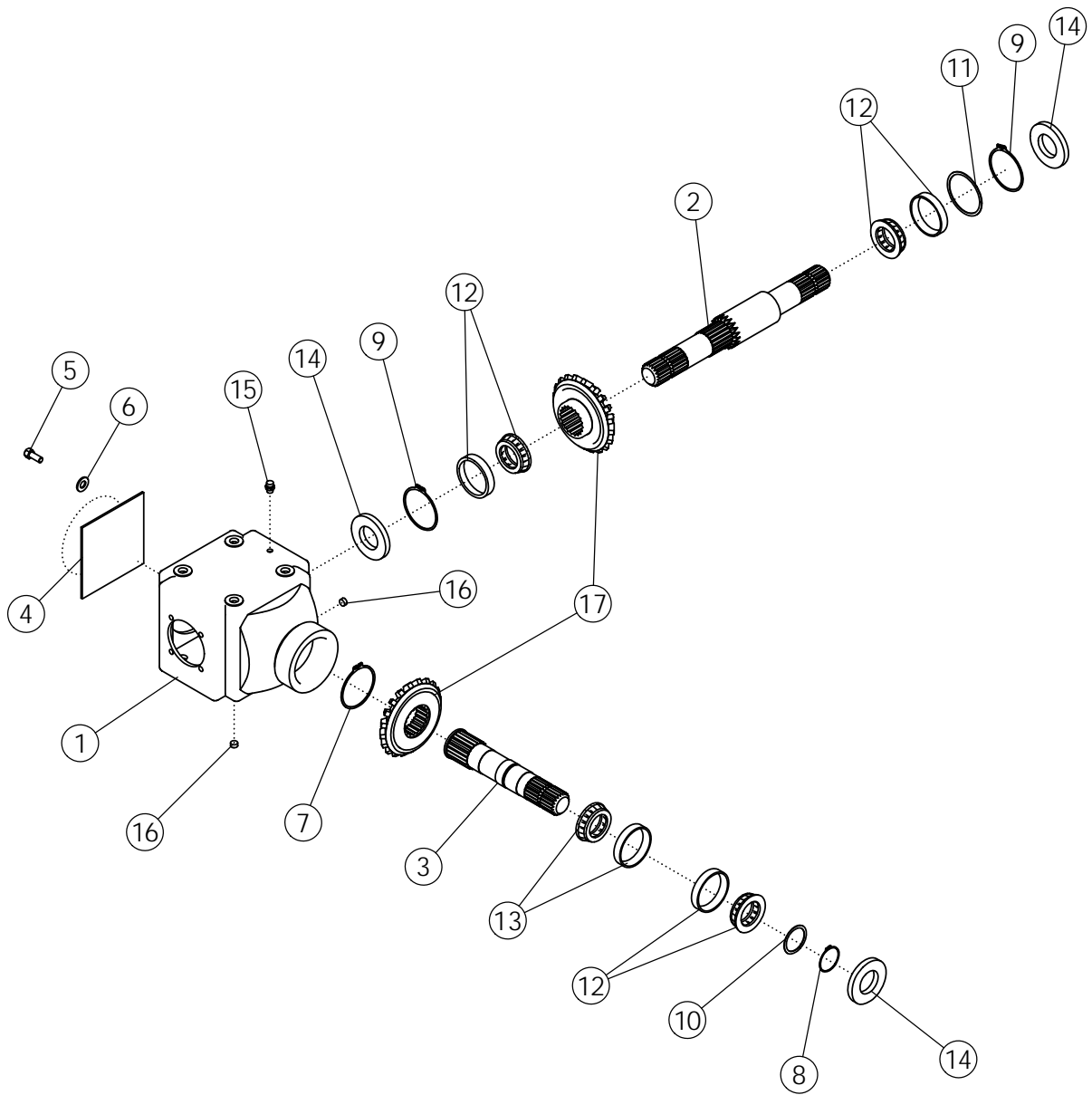
\*SET INCLUDES GEAR CROWN & GEAR PINNION



# GEARBOX L-TYPE WITH OVERRUN

| ITEM | PART NO. | DESCRIPTION                                   | QTY |
|------|----------|---|-----|
| --   | 68066    | GEARBOX-S2125 1.35:1 L W/OVER RUN CLUTCH      | -   |
| 1    | 68181    | HOUSING                                       | 1   |
| 2    | 68182    | SHAFT   | 1   |
| 3    | 68189    | SHAFT-OUTPUT                                  | 1   |
| 4    | 68190    | SLEEVE  | 1   |
| 5    | 68184    | SLEEVE  | 1   |
| 6    | 68191    | PLUG  | 6   |
| 7    | 68185    | SCREW-BOLT HEX M10 X 25 CL8.8                 | 8   |
| 8    | 68186    | WASHER  | 8   |
| 9    | 68196    | SNAP RING-EXTERNAL                            | 1   |
| 10   | 52521    | SNAP RING: EXTERNAL                           | 1   |
| 11   | 54209    | SNAP RING                                     | 1   |
| 12   | 54210    | SNAP RING                                     | 2   |
| 13   | 54218    | SPACER RING -- .012 PER M THICKNESS           | AR  |
|      | 54219    | SPACER RING -- .016 PER M THICKNESS           |     |
|      | 54220    | SPACER RING -- .024 PER M THICKNESS           |     |
|      | 54221    | SPACER RING -- .032 PER M THICKNESS           |     |
|      | 54222    | SPACER RING -- .040 PER M THICKNESS           |     |
|      | 64421    | KIT-SPACER RING (INCLUDES SPACERS IN ITEM 10) |     |
| 14   | 54223    | SPACER RING -- .012 PER M THICKNESS           | AR  |
|      | 54224    | SPACER RING -- .016 PER M THICKNESS           |     |
|      | 54225    | SPACER RING -- .024 PER M THICKNESS           |     |
|      | 54226    | SPACER RING -- .032 PER M THICKNESS           |     |
|      | 59958    | SPACER RING -- 1.00 PER M THICKNESS           |     |
|      | 64422    | KIT-SPACER RING (INCLUDES SPACERS IN ITEM 11) |     |
| 15   | 59960    | SPRING-GEARBOX SHAFT                          | 12  |
| 16   | 54212    | BEARING ROLLER                                | 3   |
| 17   | 68187    | BEARING ROLLER                                | 1   |
| 18   | 54214    | SEALING RING                                  | 2   |
| 19   | 54217    | CLOSING CAP                                   | 1   |
| 20   | 54204    | VENT PLUG                                     | 1   |
| 21   | 54215    | OIL PLUG                                      | 5   |
| 22   | 68192    | BEVEL GEAR SET*                               | 1   |

\*SET INCLUDES GEAR CROWN & GEAR PINNION

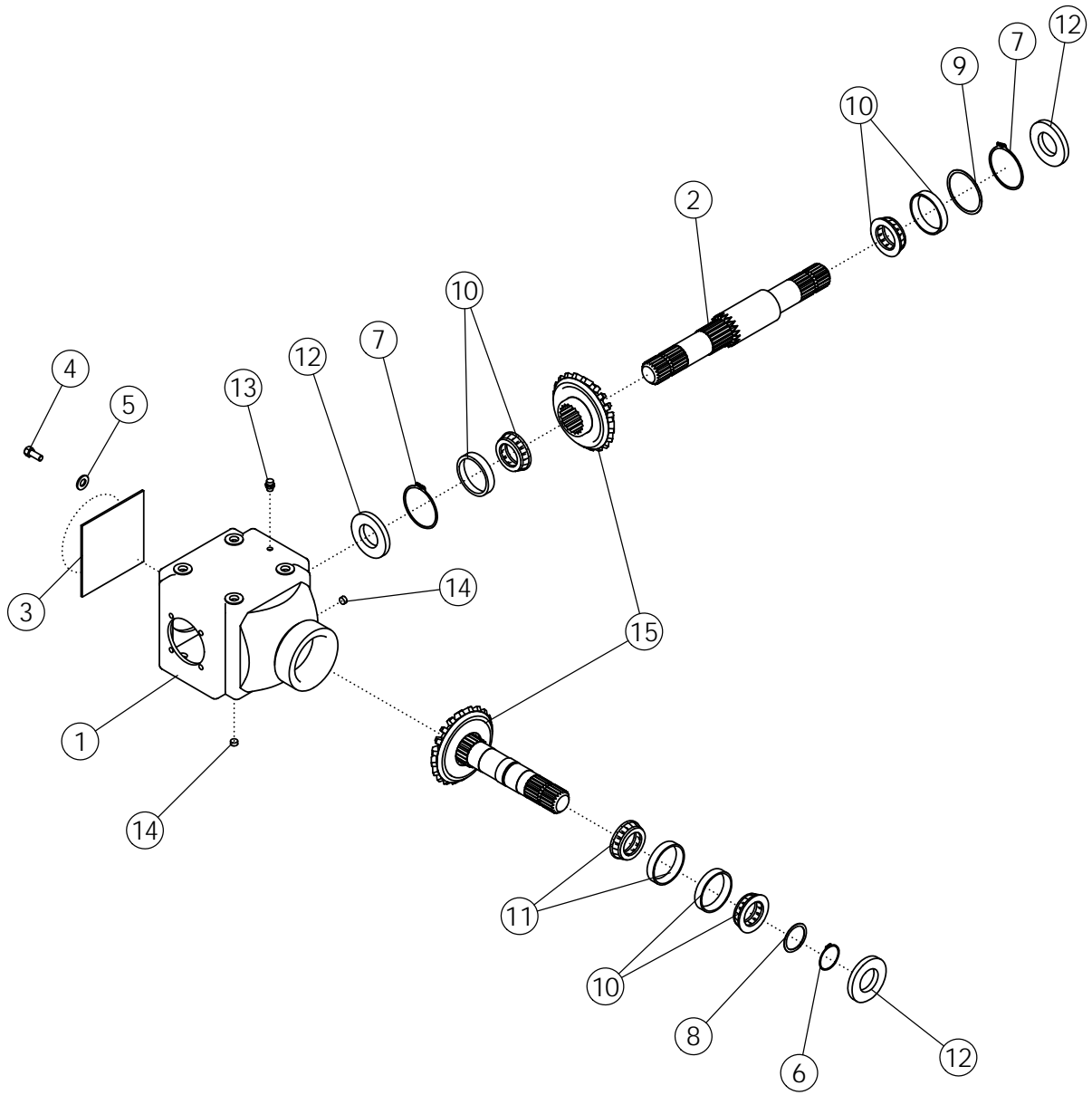




# GEARBOX T-TYPE

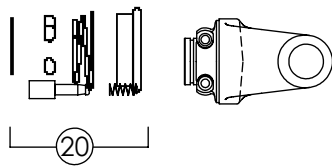
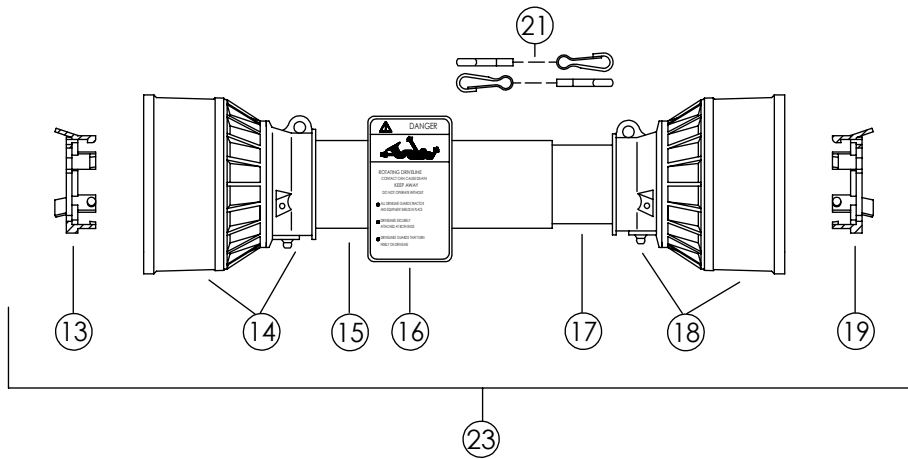
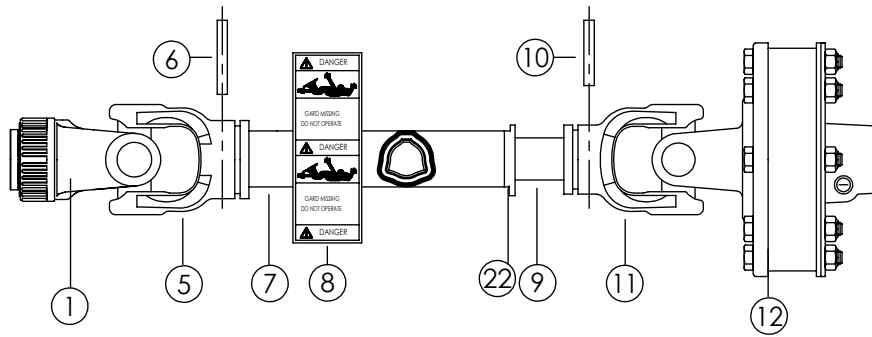
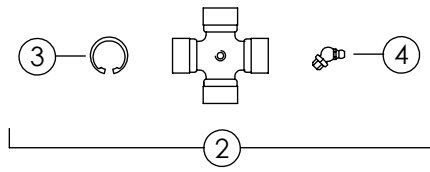
| ITEM | PART NO.     | DESCRIPTION                                   | QTY |
|------|--------------|---|-----|
| --   | <b>68067</b> | <b>GEARBOX-S2125 1.35:1 T</b>                 | -   |
| 1    | 68181        | HOUSING                                       | 1   |
| 2    | 68193        | SHAFT-THRU                                    | 1   |
| 3    | 68194        | SHAFT   | 1   |
| 4    | 68184        | SLEEVE  | 1   |
| 5    | 68185        | SCREW-BOLT HEX M10 X 25 CL8.8                 | 8   |
| 6    | 68186        | WASHER  | 8   |
| 7    | 52521        | SNAP RING: EXTERNAL                           | 1   |
| 8    | 54209        | SNAP RING                                     | 1   |
| 9    | 54210        | SNAP RING                                     | 2   |
| 10   | 54218        | SPACER RING -- .012 PER M THICKNESS           | AR  |
|      | 54219        | SPACER RING -- .016 PER M THICKNESS           |     |
|      | 54220        | SPACER RING -- .024 PER M THICKNESS           |     |
|      | 54221        | SPACER RING -- .032 PER M THICKNESS           |     |
|      | 54222        | SPACER RING -- .040 PER M THICKNESS           |     |
|      | 64421        | KIT-SPACER RING (INCLUDES SPACERS IN ITEM 10) |     |
| 11   | 54223        | SPACER RING -- .012 PER M THICKNESS           | AR  |
|      | 54224        | SPACER RING -- .016 PER M THICKNESS           |     |
|      | 54225        | SPACER RING -- .024 PER M THICKNESS           |     |
|      | 54226        | SPACER RING -- .032 PER M THICKNESS           |     |
|      | 59958        | SPACER RING -- 1.00 PER M THICKNESS           |     |
|      | 64422        | KIT-SPACER RING (INCLUDES SPACERS IN ITEM 11) |     |
| 12   | 54212        | BEARING ROLLER                                | 3   |
| 13   | 68187        | BEARING ROLLER                                | 1   |
| 14   | 54214        | SEALING RING                                  | 2   |
| 15   | 54204        | VENT PLUG                                     | 1   |
| 16   | 54215        | OIL PLUG                                      | 5   |
| 17   | 68188        | BEVEL GEAR SET*                               | 1   |

\*SET INCLUDES GEAR CROWN & GEAR PINNION



# GEARBOX T-TYPE

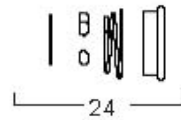
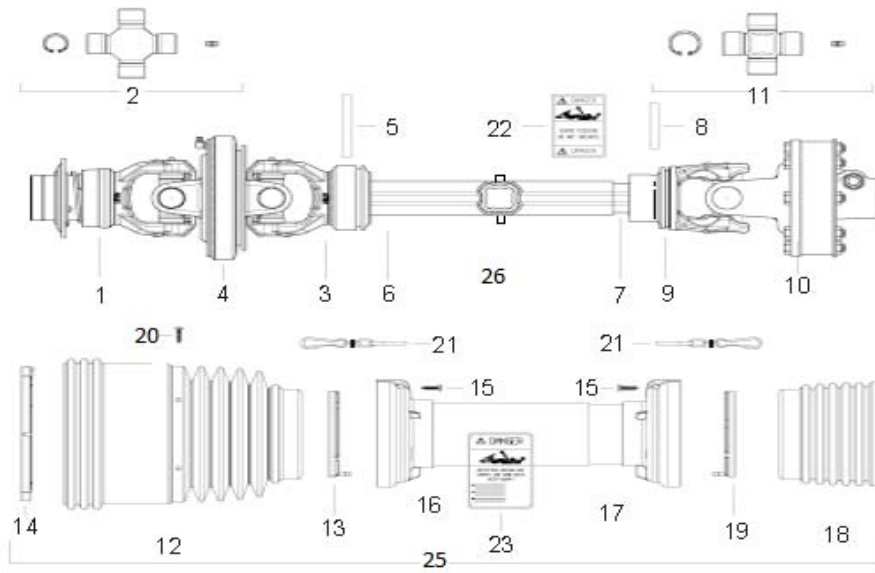
| ITEM | PART NO.     | DESCRIPTION                                   | QTY |
|------|--------------|---|-----|
| --   | <b>68068</b> | <b>GEARBOX-S2125 1:1.93 T</b>                 | -   |
| 1    | 68181        | HOUSING                                       | 1   |
| 2    | 68193        | SHAFT-THRU                                    | 1   |
| 3    | 68184        | SLEEVE  | 1   |
| 4    | 68185        | SCREW-BOLT HEX M10 X 25 CL8.8                 | 8   |
| 5    | 68186        | WASHER  | 8   |
| 6    | 54209        | SNAP RING                                     | 1   |
| 7    | 54210        | SNAP RING                                     | 2   |
| 8    | 54218        | SPACER RING -- .012 PER M THICKNESS           | AR  |
|      | 54219        | SPACER RING -- .016 PER M THICKNESS           |     |
|      | 54220        | SPACER RING -- .024 PER M THICKNESS           |     |
|      | 54221        | SPACER RING -- .032 PER M THICKNESS           |     |
|      | 54222        | SPACER RING -- .040 PER M THICKNESS           |     |
|      | 64421        | KIT-SPACER RING (INCLUDES SPACERS IN ITEM 10) |     |
| 9    | 54223        | SPACER RING -- .012 PER M THICKNESS           | AR  |
|      | 54224        | SPACER RING -- .016 PER M THICKNESS           |     |
|      | 54225        | SPACER RING -- .024 PER M THICKNESS           |     |
|      | 54226        | SPACER RING -- .032 PER M THICKNESS           |     |
|      | 59958        | SPACER RING -- 1.00 PER M THICKNESS           |     |
|      | 64422        | KIT-SPACER RING (INCLUDES SPACERS IN ITEM 11) |     |
| 10   | 54212        | BEARING ROLLER                                | 3   |
| 11   | 68187        | BEARING ROLLER                                | 1   |
| 12   | 54214        | SEALING RING                                  | 2   |
| 13   | 54204        | VENT PLUG                                     | 1   |
| 14   | 54215        | OIL PLUG                                      | 5   |
| 15   | 68195        | BEVEL GEAR SET*                               | 1   |
|      |              | *SET INCLUDES GEAR CROWN & GEAR PINNION       |     |



# STANDARD PTO 1.375-21 #69679

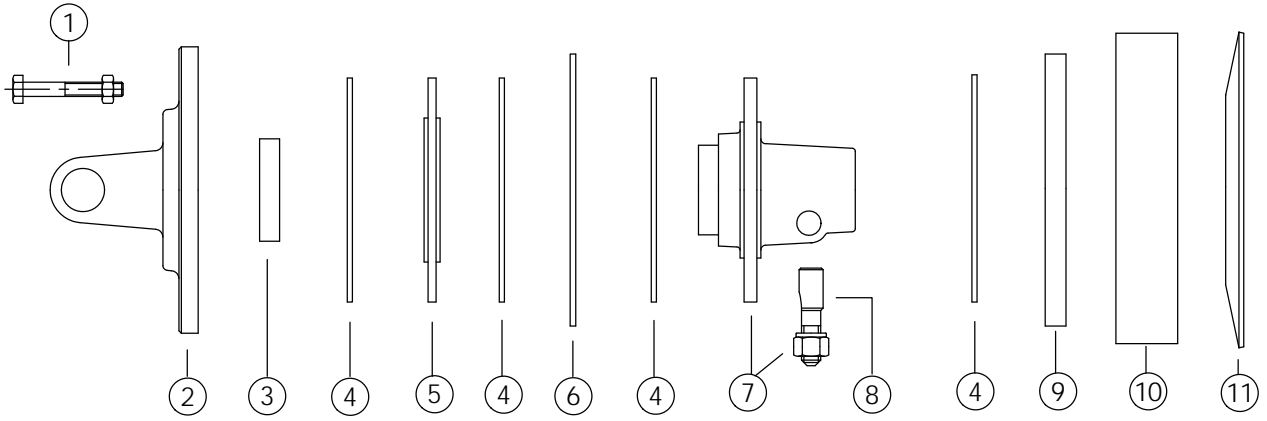
## 1.75-20 #69680

| ITEM | PART NO | DESCRIPTION                  | QTY |
|------|---------|------------------------------|-----|
| 1    | 54198   | YCKE-STD1.375                | 1   |
|      | 69866   | YCKE-STD1.75                 |     |
| 2    | 54235   | CROSS KIT                    | 2   |
| 3    | 55361   | CIRCLIP                      | 8   |
| 4    | 63440   | GREASE NIPPLE                | 2   |
| 5    | 54242   | YCKE-OUTERTUBE               | 1   |
| 6    | 55364   | FLEXIBLE PIN                 | 1   |
| 7    | 69867   | TUBE OUTER                   | 1   |
| 8    | 63293   | DECAL-DRIVELINE              | 1   |
| 9    | 69868   | TUBE INNER                   | 1   |
| 10   | 55367   | FLEXIBLE PIN                 | 1   |
| 11   | 54234   | YCKE INNER TUBE              | 1   |
| 12   | 305198  | CLUTCH+TORQUE LIMITER        | 1   |
| 13   | 54238   | BRG RING-OUTER SHIELD        | 1   |
| 14   | 54199   | SHIELD CONE-OUTER            | 1   |
| 15   | 69869   | OUTER SHIELD                 | 1   |
| 16   | 63294   | DECAL-DRIVELINE              | 1   |
| 17   | 69870   | INNER SHIELD                 | 1   |
| 18   | 55320   | CONE SET-INNER SHIELD        | 1   |
| 19   | 54240   | BRG RING-INNER SHIELD        | 1   |
| 20   | 69871   | KIT-BALL COLLAR 1.375        | 1   |
|      | 69872   | KIT-BALL COLLAR 1.75         |     |
| 21   | 69873   | CHAIN-COMplete               | 2   |
| 22   | 69874   | COLLAR-GREASE                | 1   |
| 23   | 69875   | KIT-SHIELD COMPLETE W/CHAINS | 1   |



**PTO CV 1-3/8-21 #69681  
& 1-3/4-20 #69682**

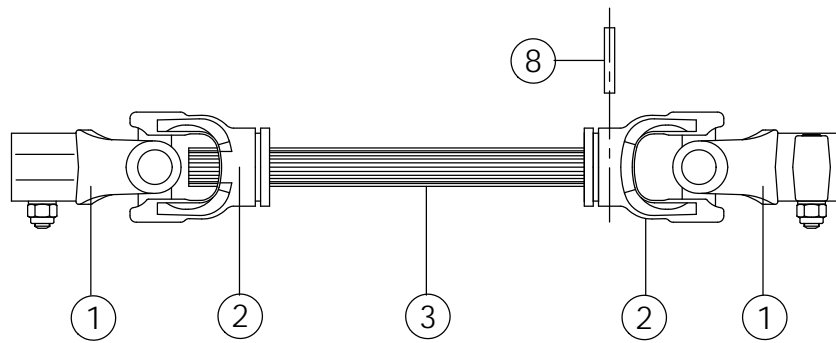
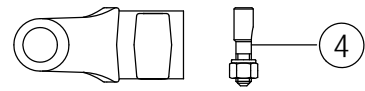
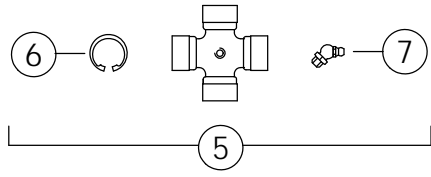
| ITEM | PART NO. | DESCRIPTION                    | QTY |
|------|----------|--------------------------------|-----|
| 1    | 68758    | YOKE-CV 1.375                  | 1   |
|      | 68734    | YOKE-CV 1.750                  |     |
| 2    | 68735    | CROSS-KIT                      | 1   |
| 3    | 68736    | YOKE-CV OUTER EXT TUBE         | 1   |
| 4    | 68737    | CENTRAL BODY-CV JOINT          | 1   |
| 5    | 68738    | PIN-ROLL                       | 1   |
| 6    | 69684    | TUBE-DRIVE OUTER (CV)          | 1   |
| 7    | 69685    | TUBE-DRIVE INNER (CV)          | 1   |
| 8    | 68741    | PIN-ROLL                       | 1   |
| 9    | 68742    | YOKE-CV INNER TUBE             | 1   |
| 10   | 305196   | CLUTCH-TORQUE LIMITER (CV)     | 1   |
| 11   | 68744    | CROSS-KIT                      | 1   |
| 12   | 68745    | CONE-SHIELD OUTER              | 1   |
| 13   | 68746    | BEARING-SHIELD OUTER           | 1   |
| 14   | 68747    | BEARING-SHIELD CONE            | 1   |
| 15   | 68748    | SCREW-SELF TAPPING             | 6   |
| 16   | 68749    | SHIELD-SAFETY TUBE OUTER       | 1   |
| 17   | 68750    | SHIELD-SAFETY TUBE INNER       | 1   |
| 18   | 68751    | CONE-SHIELD INNER              | 1   |
| 19   | 68752    | BEARING-SHIELD INNER           | 1   |
| 20   | 69688    | SCREW-SELF TAPPING FLANGE HEAD | 6   |
| 21   | 69689    | CHAIN-COMPLETE                 | 2   |
| 22   | 63293    | DECAL-DRIVELINE                | 1   |
| 23   | 63294    | DECAL-DRIVELINE                | 1   |
| 24   | 69690    | KIT-BALL COLLAR 1.375 (CV)     | 1   |
|      | 68755    | KIT-BALL COLLAR 1.750 (CV)     |     |
| 25   | 68760    | KIT-SHIELD COMPLETE W/CHAINS   | 1   |
| 26   | 69687    | ZERK-GREASE: M6 X 1 SHORT      | 2   |





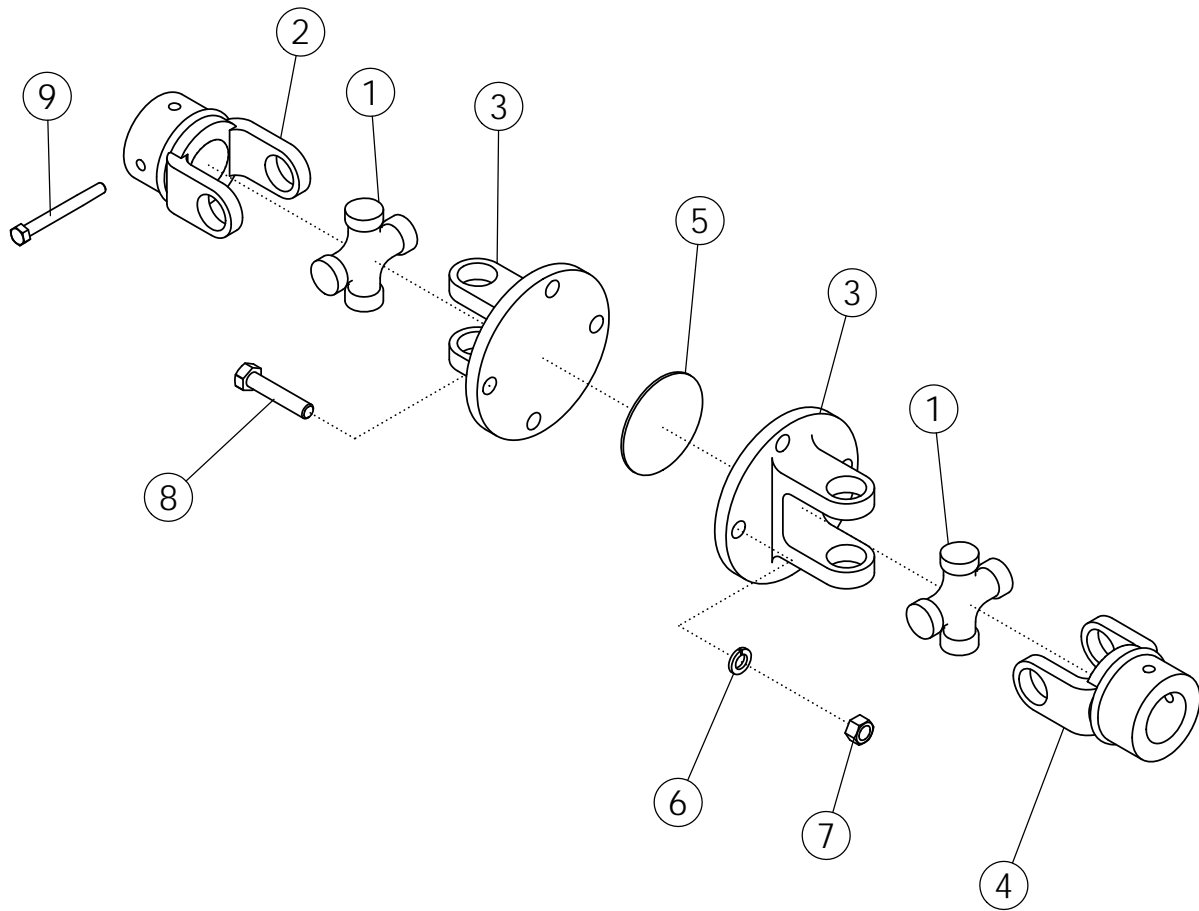
## CLUTCH TORQUE LIMITER #305196(CV) & #305198(STD)

| ITEM | PART NO. | DESCRIPTION       | QTY |
|------|----------|-------------------|-----|
| 1    | 63300    | SCREW             | 8   |
| 2    | 69693    | YOKE-FLANGE (CV)  | 1   |
|      | 69864    | YOKE-FLANGE (STD) |     |
| 3    | 63295    | BUSHING           | 1   |
| 4    | 69692    | LINING            | 4   |
| 5    | 69858    | PLATE-LINING      | 1   |
| 6    | 69859    | PLATE-INNER       | 1   |
| 7    | 69860    | HUB               | 1   |
| 8    | 68782    | KIT-TAPER PIN     | 1   |
| 9    | 69861    | PLATE-THRUST      | 1   |
| 10   | 69862    | SPACER            | 1   |
| 11   | 305197   | SPRING            | 1   |



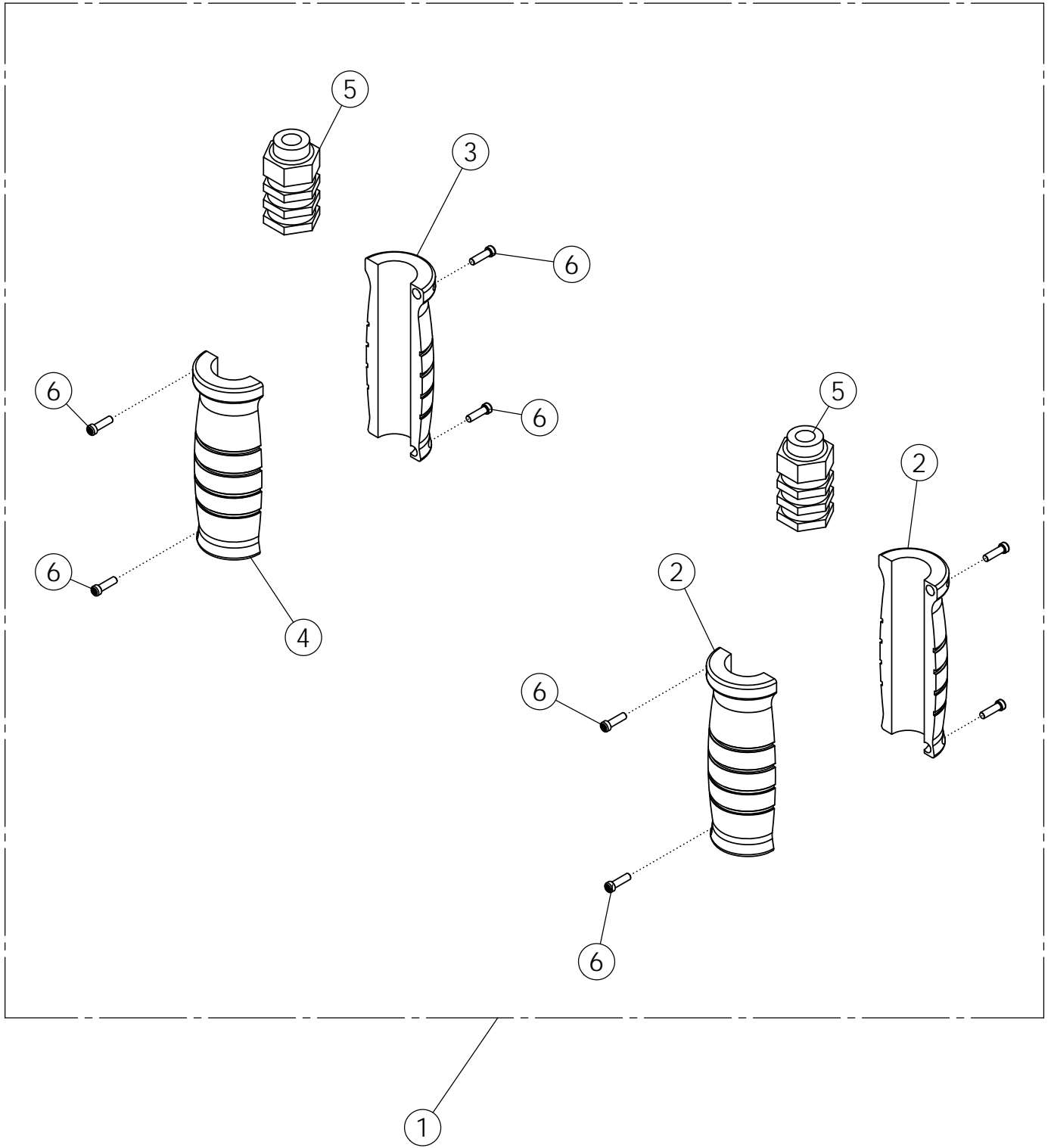
## SIDE DRIVELINE #52397

| ITEM | PART NO. | DESCRIPTION   | QTY |
|------|----------|---------------|-----|
| 1    | 68731    | TRACTOR YOKE  | 2   |
| 2    | 54244    | YOKE          | 2   |
| 3    | 63593    | SHAFT-SPLINED | 1   |
| 4    | 63594    | TAPER PIN KIT | 2   |
| 5    | 54235    | CROSS KIT     | 2   |
| 6    | 55361    | SNAP RING     | 8   |
| 7    | 63440    | GREASE ZERK   | 2   |
| 8    | 63472    | PIN-ROLL      | 1   |



## COUPLER-UNIVERSAL JOINT #68443

| ITEM | PART NO. | DESCRIPTION                        | QTY |
|------|----------|------------------------------------|-----|
| 1    | 54235    | CROSS KIT                          | 2   |
| 2    | 68731    | YOKE-COUPLER TAPER PIN 1.750       | 1   |
| 3    | 68780    | FLANGE-YOKE COUPLER                | 2   |
| 4    | 68732    | YOKE COUPLER 1.750                 | 1   |
| 5    | 68781    | PLATE-LINER COUPLER                | 1   |
| 6    | 68591    | WASHER-LOCK: M14                   | 4   |
| 7    | 68444    | NUT-HEX: M14                       | 4   |
| 8    | 69019    | BOLT-HEX: M14 X 2.0 X L50 CL8.8 ZP | 4   |
| 9    | 68782    | KIT-TAPER PIN 1.750                | 1   |

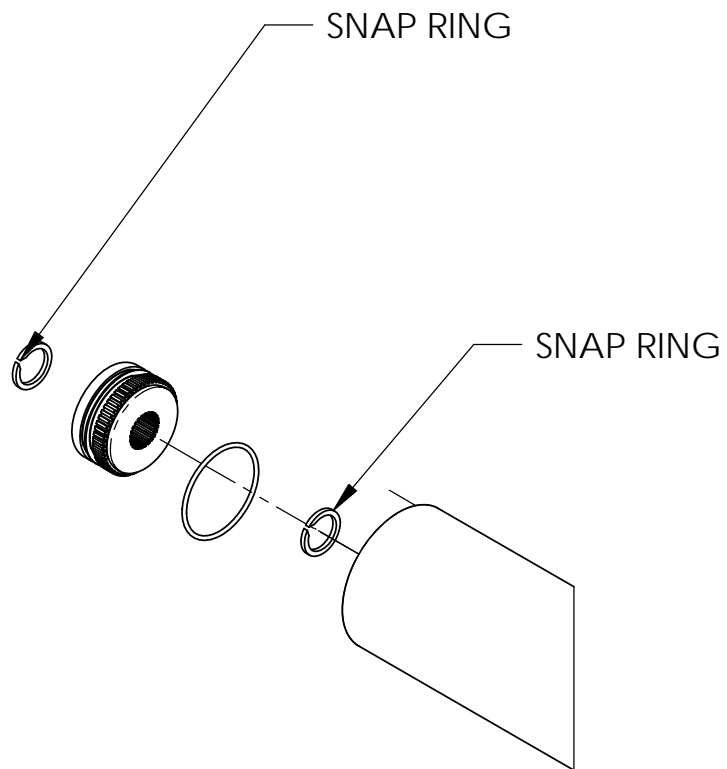
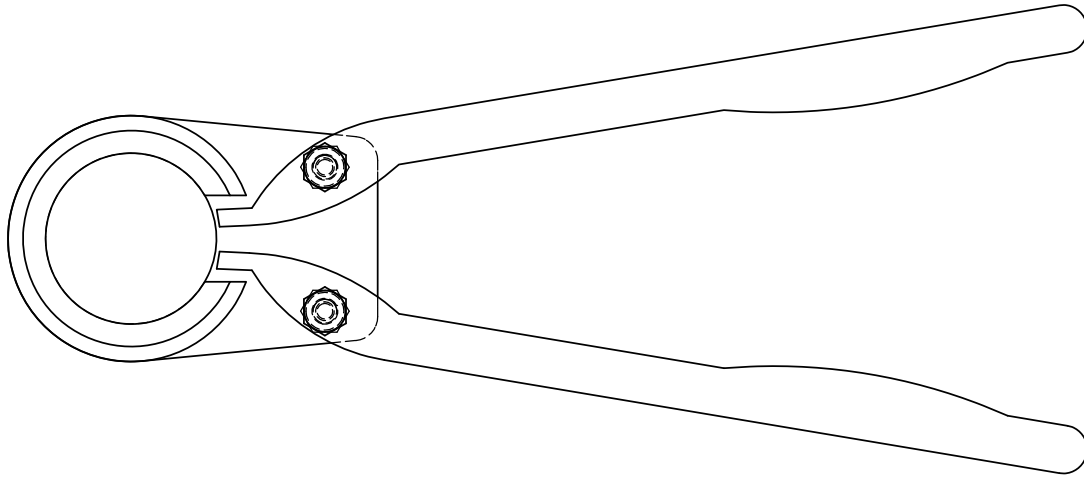


## HYDRAULIC LABEL ASSY

| ITEM | PART NO. | DESCRIPTION                      | QTY |
|------|----------|----------------------------------|-----|
| 1    | 301920*  | HYD LABEL: .50 ORANGE/GRAY SET   | 1   |
|      | 301902*  | HYD LABEL: .50 BLUE/GRAY SET     |     |
|      | 301917*  | HYD LABEL: .50 YELLOW/GRAY SET   |     |
|      | 301914*  | HYD LABEL: .50 GREEN/GRAY SET    |     |
|      | 301911*  | HYD LABEL: .50 BLACK/GRAY SET    |     |
|      | 301908*  | HYD LABEL: .50 RED/GRAY SET      |     |
|      | 302230*  | HYD LABEL: .50 RED/GREEN SET     |     |
|      | 302226*  | HYD LABEL: .50 BLACK/ORANGE SET  |     |
|      | 302227*  | HYD LABEL: .50 BLUE/YELLOW SET   |     |
|      | 301923*  | HYD LABEL: .75 GREEN/GRAY SET    |     |
|      | 301928*  | HYD LABEL: .75 YELLOW/GRAY SET   |     |
| 2    |          | HYD LABEL: .50 HALF EXTEND       | 2   |
|      |          | HYD LABEL: .75 HALF EXTEND       |     |
| 3    |          | HYD LABEL: .50 HALF RETRACT      | 1   |
|      |          | HYD LABEL: .75 HALF RETRACT      |     |
| 4    |          | HYD LABEL: .50 GRAY HALF RETRACT | 1   |
|      |          | HYD LABEL: .75 GRAY HALF RETRACT |     |
| 2    |          | HYD LABEL: .50 CORE M & F O-RING | 2   |
|      |          | HYD LABEL: .75 CORE M & F O-RING |     |
| 6    |          | HYD LABEL: SET SCREW             | 8   |

\* COMES WITH ITEMS 2 THRU 6

# 69055 SNAP RING PLIERS



SHAFT REMOVED FOR CLARITY



