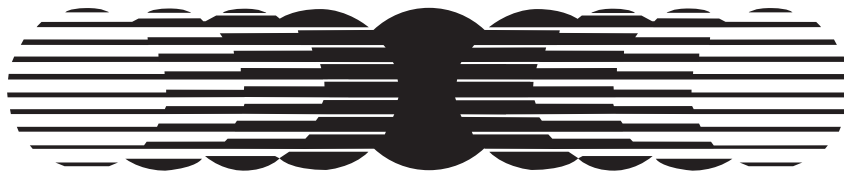


PARTS MANUAL

2010
WIC DEFOLIATOR
8 ROW 22/6 ROW 30

Amity
TECHNOLOGY

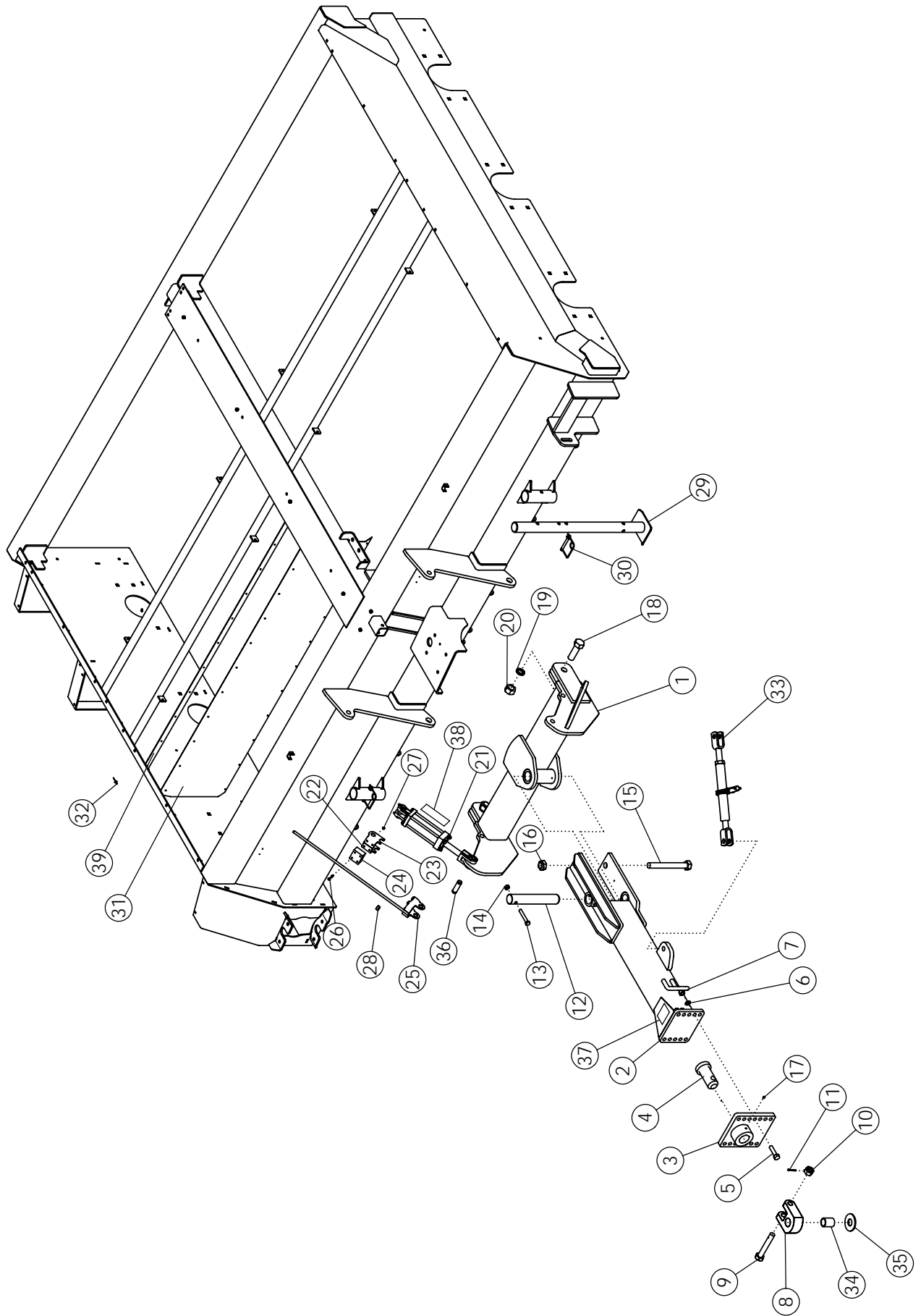


2800 7TH Avenue North
Fargo, ND 58102

Phone: (701) 232-4199
Fax: (701) 234-1716
www.amitytech.com

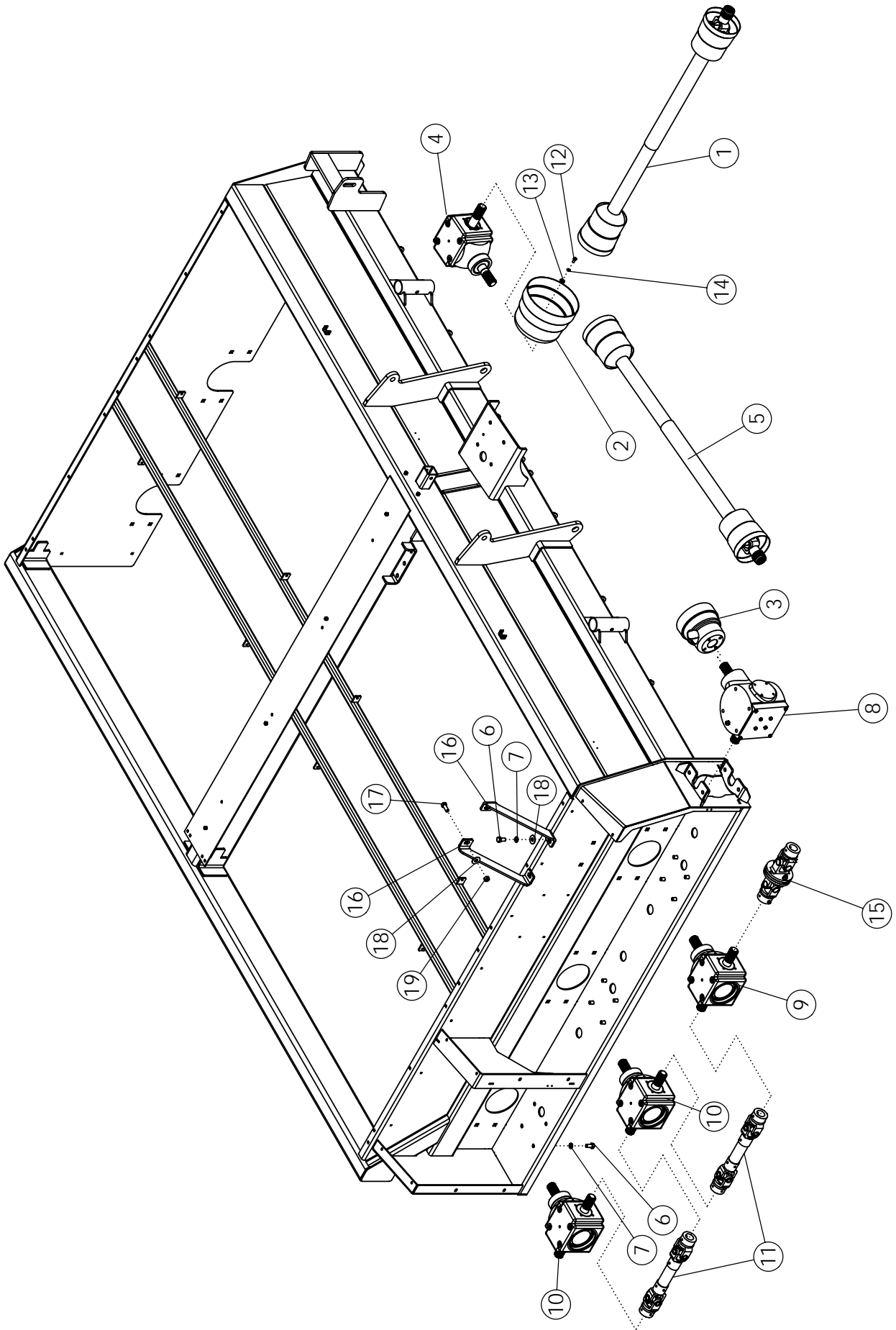
TABLE OF CONTENTS

HITCH ASSEMBLY	1-2
DRIVE TRAIN	3-4
#1 FLAILS.....	5-14
#2 FLAILS.....	15-18
#3 FLAILS.....	19-22
FLAIL TUBE ASSEMBLY	23-24
FLAIL TUBE MOUNTING	25-26
FLAIL TUBE MOUNTING - STEEL FRONT DRUM OPTION	27-28
DOORS AND SHIELDS.....	29-32
STANDARD REAR STRUTS-11.2 X 24 TIRES.....	33-34
STANDARD REAR STRUTS-7.6 X 15 TIRES.....	35-36
STEERABLE REAR STRUTS-11.2 X 24 TIRES.....	37-40
STEERABLE REAR STRUTS-7.6 X 15 TIRES.....	41-44
SCALPER BAR ASSEMBLY.....	45-46
SCALPER BASKET.....	47-48
SCALPER HYDRAULICS.....	49-50
SELF-CENTERING ROW FINDER 8ROW.....	51-52
ROW FINDER HYDRAULICS.....	53-54
HYDRAULIC ROW FINDER.....	55-58
HITCH HYDRAULICS.....	59-60
LIGHT KIT.....	61-62
DECALS.....	63-66
GEARBOX-L TYPE #68065	67-68
GEARBOX-L TYPE W/OVERRUN CLUTCH #68066.....	69-70
GEARBOX-T TYPE #68067	71-72
GEARBOX-T TYPE #68068.....	73-74
STANDARD PTO (1-3/8" & 1-3/4") #52402 & #52400.....	75-76
1-3/8" CONSTANT VELOCITY PTO #52395.....	77-78
1-3/4" CONSTANT VELOCITY PTO #52394.....	77-78
CLUTCH-TORQUE LIMITER #63299.....	79-80
FRONT DRIVELINE #52399 & #68604.....	81-82
SIDE DRIVELINE #52397.....	81-82
COUPLER-UNIVERSAL JOINT #68443.....	83-84
HYDRAULIC CYLINDER 2X6 #58888.....	85-86
HYDRAULIC CYLINDER 3X8 #63499.....	87-88
HYDRAULIC CYLINDER 3.25X8 #63500.....	89-90
HYDRAULIC CYLINDER 4X8 #58891.....	91-92
HYDRAULIC CYLINDER 3X8 #58890.....	93-94



HITCH ASSEMBLY

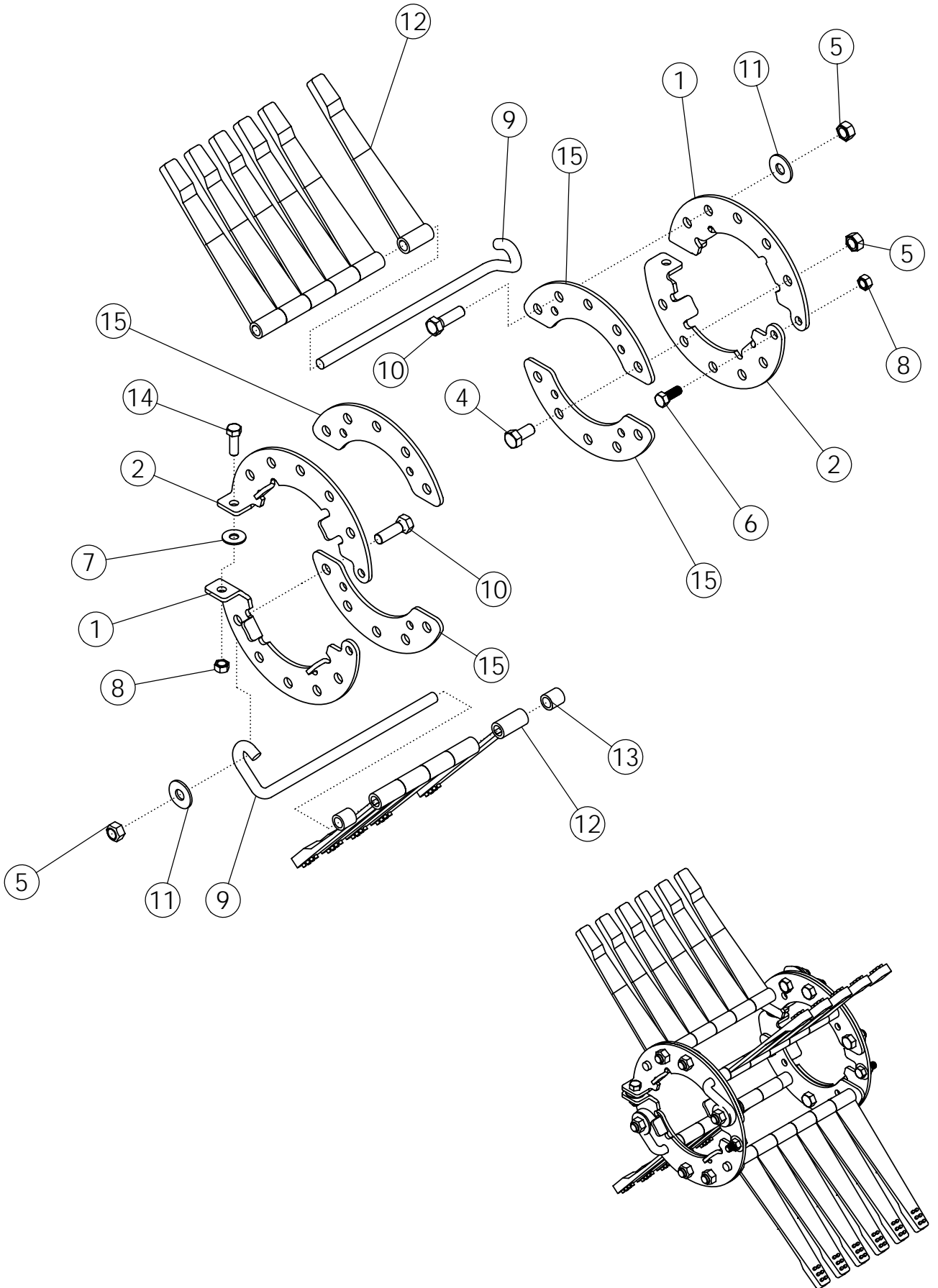
ITEM	PART NO.	DESCRIPTION	QTY
1	50341	WLDMT - STD HITCH PIVOT	1
2	68277	WLDMT - DRAWPOLE DEF	1
3	57930	WLDMT-HITCH PLATE	1
4	62101	WLDMT-PIN	1
5	1012059	BOLT-HEX: .75 X 3.00 NC GR5 ZP	6
6	1012061	WASHER-LOCK: .75 ZP	6
7	1011620	NUT-HEX: .75 NC GR2 ZP	6
8	64476	PLATE-PULL HITCH	1
9	62477	BOLT-HITCH DRILLED	1
10	62088	NUT-SLOTTED: 1.13 NC GR5 ZP	1
11	1013473	PIN-COTTER: .19 X 2.00 NP	1
12	50678	PIN	1
13	1015117	BOLT-HEX: .63 X 4.00 NC GR8 ZP	1
14	1016595	NUT-TOPLOCK: .63 NC GR5 ZP	1
15	1030756	BOLT-HEX: 1.25 X 10.50 NC GR5 ZP	1
16	1030759	NUT-TOPLOCK: 1.25 NC ZP	1
17	1011748	ZERK - GREASE	5
18	1030757	BOLT-HEX: 1.38 X 4.25 NC GR5 ZP	2
19	1030760	WASHER-LOCK: 1.38 ZP	2
20	1030758	NUT-HEX: 1.38 NC ZP	2
21	58891	CYLINDER-HYDRAULIC 4 X 8" 3000	2
22	63995	TOP_BRACKET - RH	1
23	63996	TOP_BRACKET - LH	1
24	63383	POLY GUIDE BLOCK	1
25	63999	WLDMT - BOTTOM_BRACKET	1
26	1016211	BOLT-HEX: .25 X 2.00 NC GR5	4
27	1030946	NUT-TOPLOCK: .25 NC GR5 ZP	4
28	63359	COLLAR-SET: .56 ZP	1
29	52073	WLDMT-STAND	2
30	52408	SPRING PIN: .50 X 3.50	2
31	68534	LINER-FRONT	2
32	56886	RIVET-POP: .19 X .675 ZP	44
33	52407	RATCHET JACK-PAINTED	1
34	64615	TUBE-SPACER 2.00 X 1.25	1
	64614	TUBE-SPACER 2.00 X 1.63	
35	58925	WASHER-HARDENED: 4.00 X 1.63	1
36	63406	PIN-CLEVIS: 1.00 X 4.00 ZP	1
37	52248	DECAL-CAUTION	1
38	63405	DECAL-DEPTH GAUGE	1
39	69107	STRIP-LINER BACK 8R	2



DRIVE TRAIN

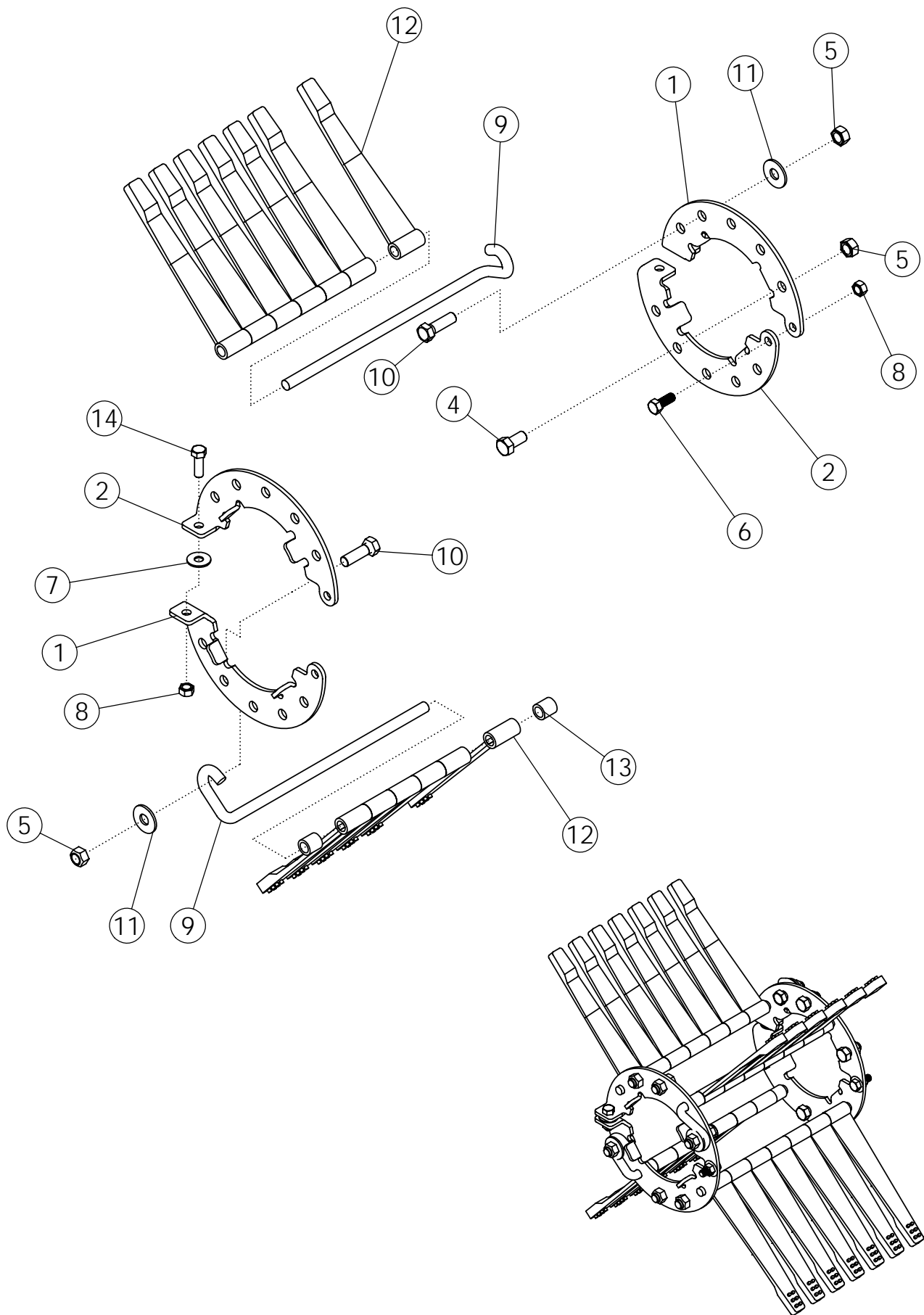
ITEM	PART NO.	DESCRIPTION	QTY
1	52395	CONSTANT VELOCITY PTO 1.38"	1
	52394	CONSTANT VELOCITY PTO 1.75"	
	52402	STANDARD PTO 1.38"	
	52400	STANDARD PTO 1.75"	
2	52389	SHIELD CONE-LARGE	1
3	63972	SHIELD-CONE SMALL DRILLED	2
4	68065	GEARBOX-S2125 1.35:1 L	1
5	68604	CROSS SHAFT - 8R	1
6	68449	BOLT-HEX: M16 X 2.0 X L30	22
7	1011813	WASHER-LOCK: .63 ZP	22
8	68066	GEARBOX-S2125 1.35:1 L W/OVERRUN CLUTCH	1
9	68067	GEARBOX-S2125 1.35:1 T (NON STEEL FLAIL)	1
	68068	GEARBOX-S2125 1:1.93 T (STEEL FLAIL)	
10	68067	GEARBOX-S2125 1.35:1 T	2
11	52397	DRIVELINE-SIDE	2
12	68450	BOLT-HEX: M10 X 1.5 X L20	12
13	1011828	WASHER-FLAT: .38 ZP	12
14	1011586	WASHER-LOCK: .38 ZP	12
15	68443	COUPLER-U-JOINT	1
16	68970*	PLATE-GEARBOX SUPPORT	2
17	72063*	BOLT-CRG: .63 X 1.50 NC GR5 ZP	2
18	1013024*	WASHER-FLAT: .63 ZP	4
19	1016595*	NUT-TOPLOCK: .63 NC GR5 ZP	2

* USE WITH STEEL FRONT DRUM ONLY



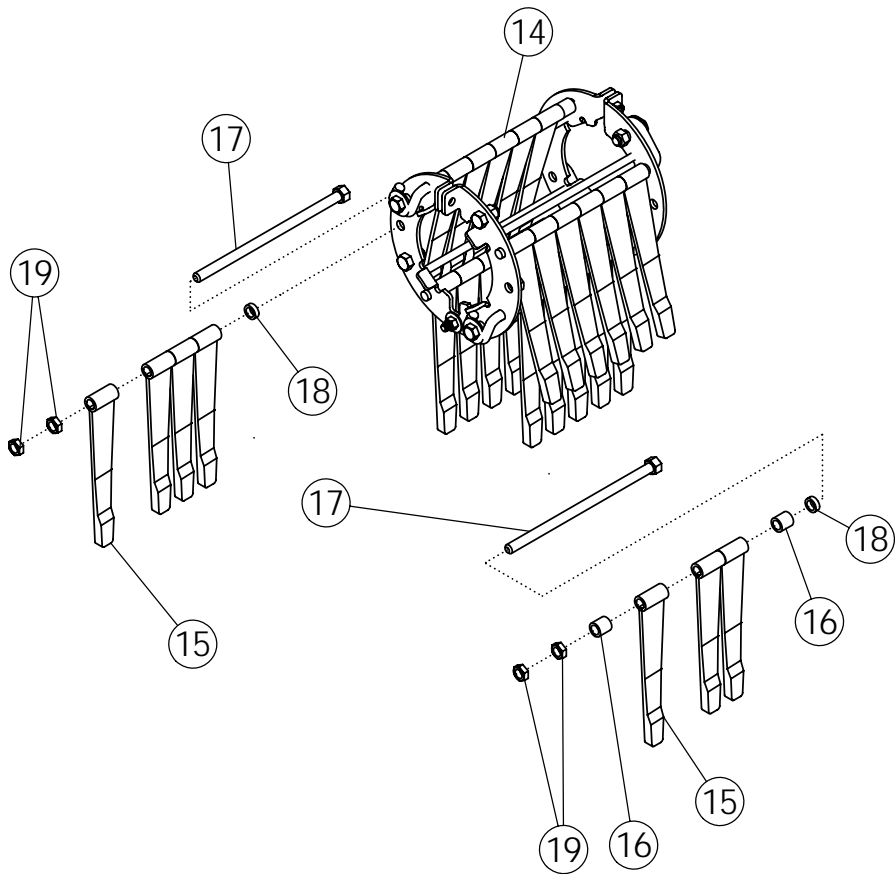
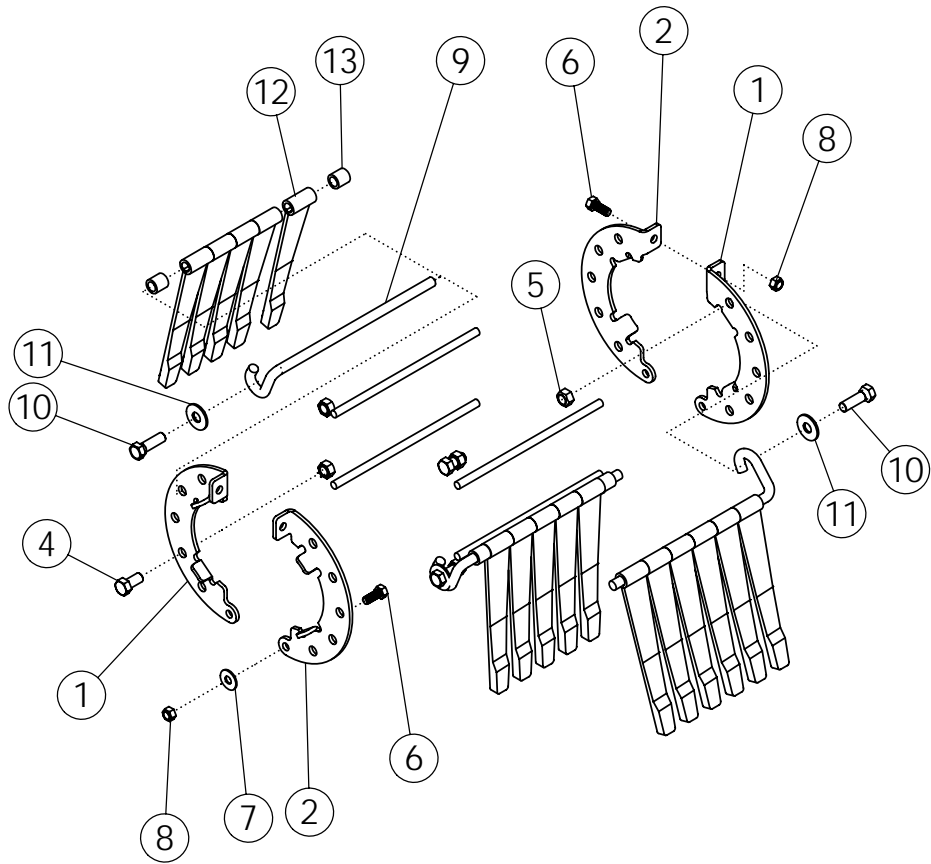
RUBBER FLAILS ON #1 DRUM FORWARD 22" SPACING (#52123)

ITEM	PART NO.	DESCRIPTION	QTY
1	52062	FLAIL RING-LH	2
2	52061	FLAIL RING-RH	2
3	58084	PLATE-REINFORCEMENT ZP	4
4	1032509	BOLT-HEX: .63 X 1.25 NC GR5 ZP	8
5	1016595	NUT-TOPLOCK: .63 NC GR5 ZP	12
6	1011606	BOLT-HEX: .50 X 1.25 NC GR5 ZP	2
7	1014443	WASHER-FLAT: .50 ZP	2
8	1027461	NUT-TOPLOCK: .50 NC GR5 ZP	4
9	51839	FLAIL ROD	4
10	1011623	BOLT-HEX: .63 X 2.00 NC GR5 ZP	4
11	1013024	WASHER-FLAT: .63 ZP	4
12	52356	FLAIL-STUDDERED 1 X 12	22
13	51549	SPACER 1	4
14	1011607	BOLT-HEX: .50 X 1.50 NC GR5 ZP	2



RUBBER FLAILS ON #1 DRUM FORWARD 30" SPACING (#52126)

ITEM	PART NO.	DESCRIPTION	QTY
1	52062	FLAIL RING-LH	2
2	52061	FLAIL RING-RH	2
3	58084	PLATE-REINFORCEMENT ZP	4
4	1032509	BOLT-HEX: .63 X 1.25 NC GR5 ZP	8
5	1016595	NUT-TOPLOCK: .63 NC GR5 ZP	12
6	1011606	BOLT-HEX: .50 X 1.25 NC GR5 ZP	2
7	1014443	WASHER-FLAT: .50 ZP	2
8	1027461	NUT-TOPLOCK: .50 NC GR5 ZP	4
9	51840	FLAIL ROD	4
10	1011623	BOLT-HEX: .63 X 2.00 NC GR5 ZP	4
11	1013024	WASHER-FLAT: .63 ZP	4
12	52356	FLAIL-STUDDDED 1 X 12	26
13	51549	SPACER 1	4
14	1011607	BOLT-HEX: .50 X 1.50 NC GR5 ZP	2



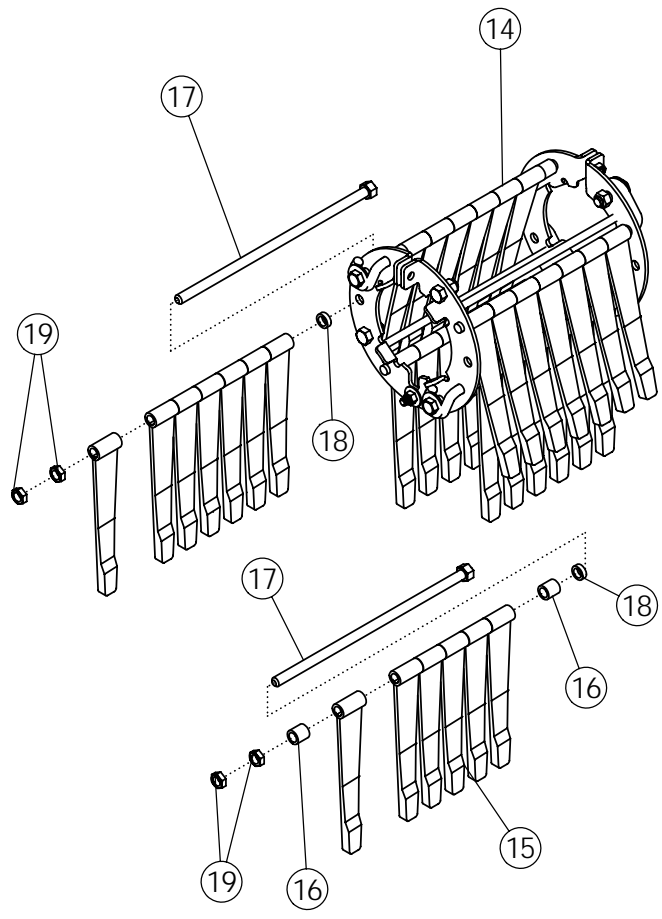
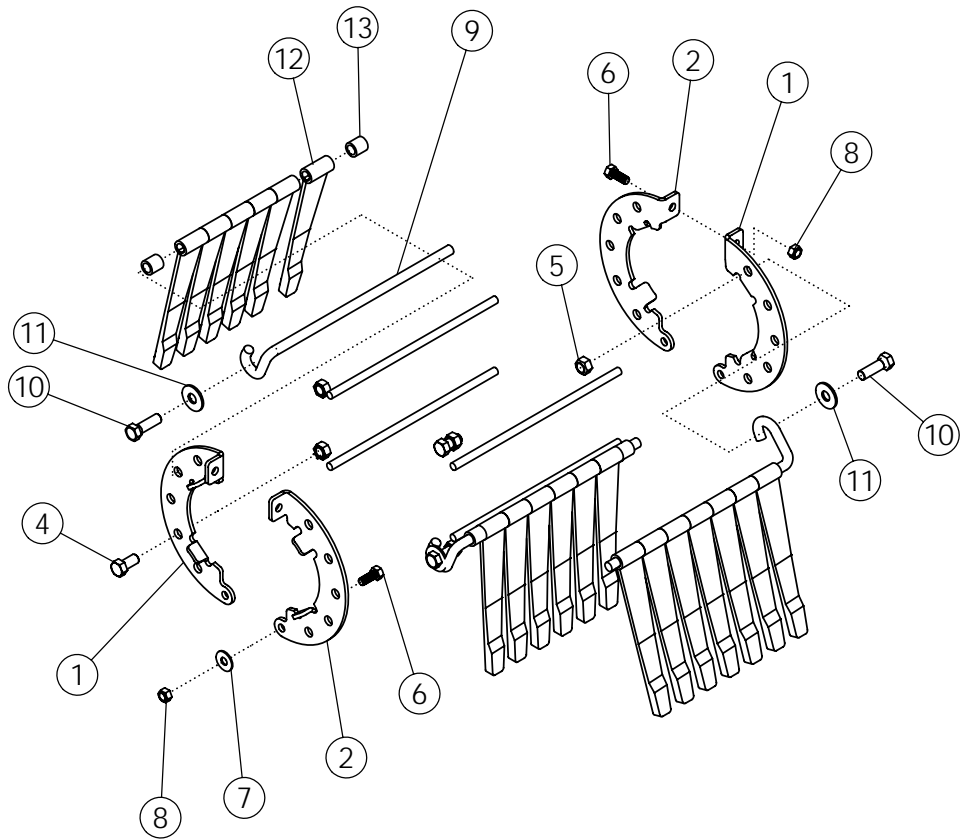
RUBBER FLAILS ON #1 DRUM REVERSE 22" SPACING

ITEM	PART NO.	DESCRIPTION	QTY
1	52062	FLAIL RING-LH	2
2	52061	FLAIL RING-RH	2
3	58167	WLDMT-FRONT BAIL	2
4	1032509	BOLT-HEX: .63 X 1.25 NC GR5 ZP	4
5	1016595	NUT-TOPLOCK: .63 NC GR5 ZP	8
6	1011606	BOLT-HEX: .50 X 1.25 NC GR5 ZP	4
7	1014443	WASHER-FLAT: .50 ZP	2
8	1027461	NUT-TOPLOCK: .50 NC GR5 ZP	4
9	51839	FLAIL ROD	4
10	1011623	BOLT-HEX: .63 X 2.00 NC GR5 ZP	4
11	1013024	WASHER-FLAT: .63 ZP	4
12	52356	FLAIL-STUDDDED 1 X 12	22
13	51549	SPACER 1	4

IN BETWEEN ROWS: 22" SPACING

14	58542*	ASSY-FLAIL #1 22" REVERSE	1
15	52356	FLAIL-STUDDDED 1 X 12	7
16	51549	SPACER 1	2
17	64600	WLDMT-FLAIL ROD REVERSE 22"	2
18	51547	SPACER 5/16	2
19	1026259	NUT-JAM: .63 NC GR2 ZP	4

*ITEMS ARE 1-13 ARE INCLUDED IN ITEM 14



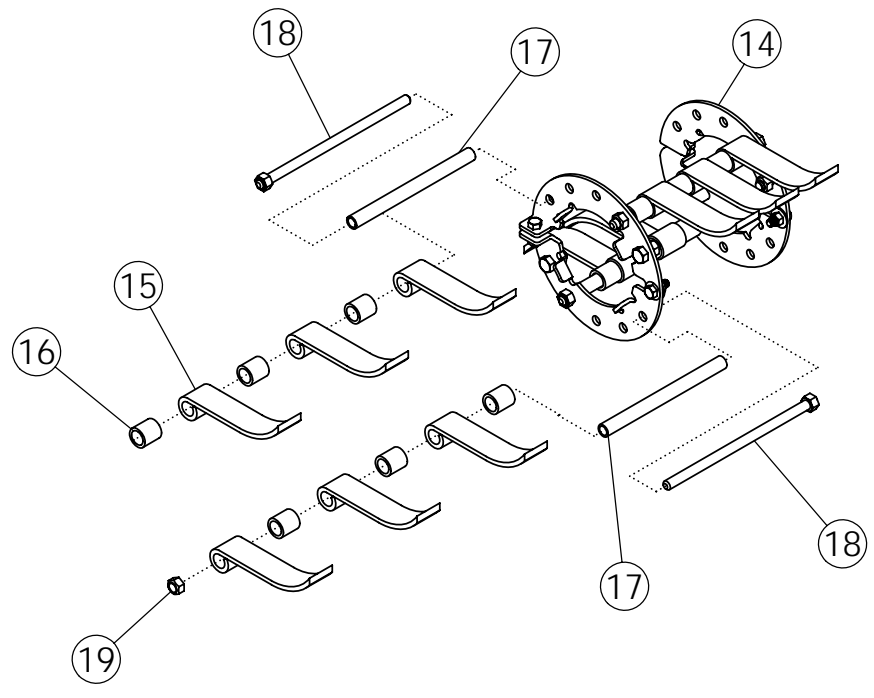
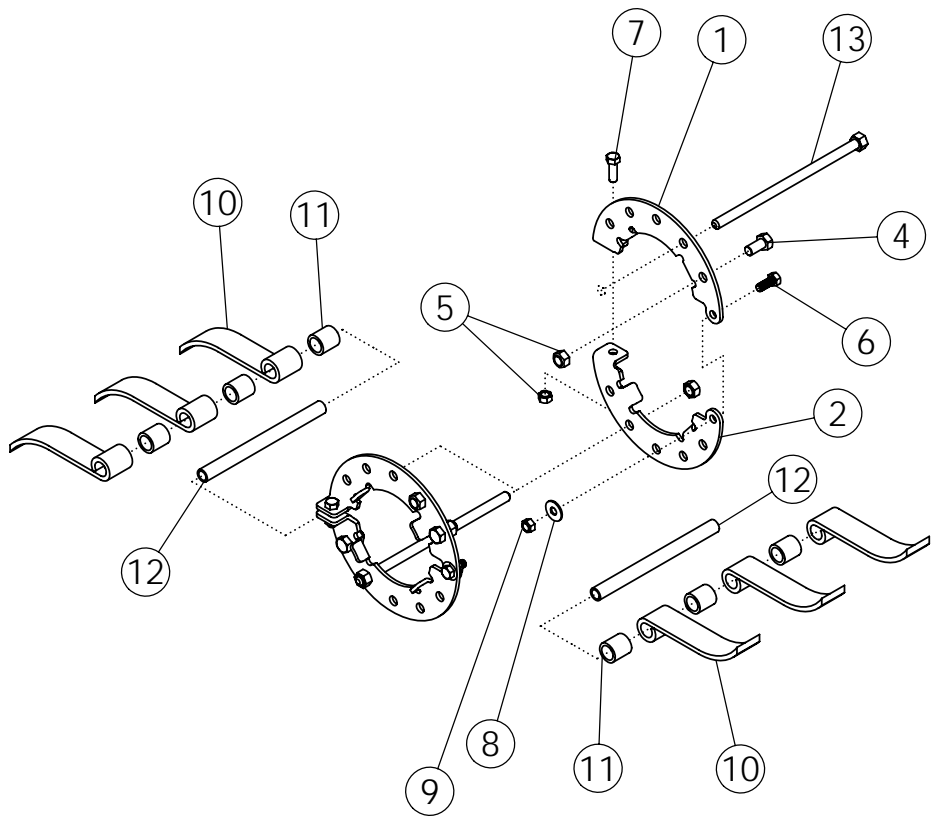
RUBBER FLAILS ON #1 DRUM REVERSE 30" SPACING

ITEM	PART NO.	DESCRIPTION	QTY
1	52062	FLAIL RING-LH	2
2	52061	FLAIL RING-RH	2
3	62254	WLDMT-FRONT BAIL	2
4	1032509	BOLT-HEX: .63 X 1.25 NC GR5 ZP	4
5	1016595	NUT-TOPLOCK: .63 NC GR5 ZP	8
6	1011606	BOLT-HEX: .50 X 1.25 NC GR5 ZP	4
7	1014443	WASHER-FLAT: .50 ZP	2
8	1027461	NUT-TOPLOCK: .50 NC GR5 ZP	4
9	51840	FLAIL ROD	4
10	1011623	BOLT-HEX: .63 X 2.00 NC GR5 ZP	4
11	1013024	WASHER-FLAT: .63 ZP	4
12	52356	FLAIL-STUDDER 1 X 12	26
13	51549	SPACER 1	4

IN BETWEEN ROWS: 30" SPACING

14	58543*	ASSY-FLAIL #1 22" REVERSE	1
15	52356	FLAIL-STUDDER 1 X 12	13
16	51549	SPACER 1	2
17	64755	WLDMT-FLAIL ROD REVERSE 30"	2
18	51547	SPACER 5/16	2
19	1026259	NUT-JAM: .63 NC GR2 ZP	4

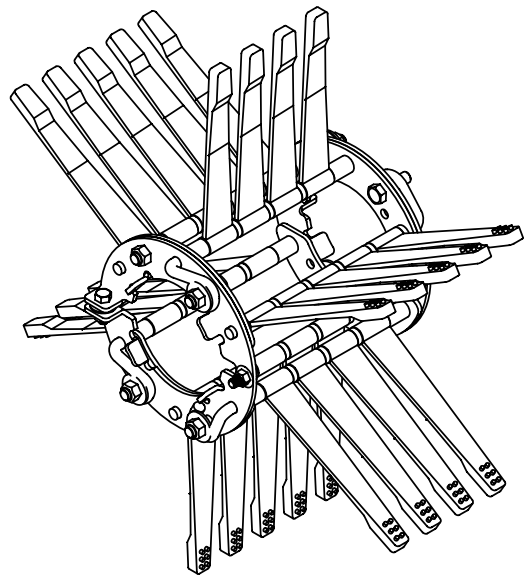
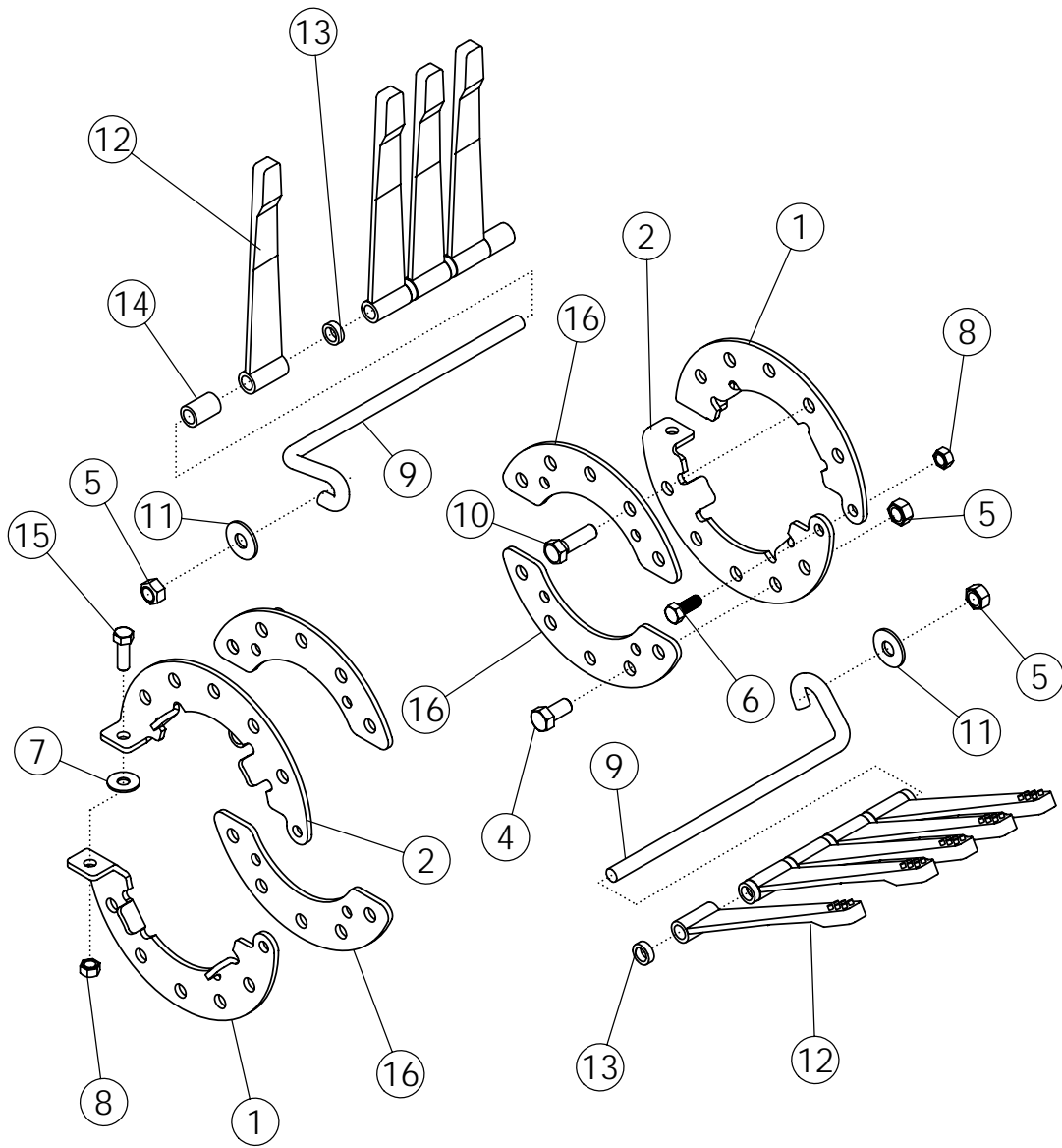
*ITEMS ARE 1-13 ARE INCLUDED IN ITEM 14



STEEL CUP FLAILS #1 DRUM REVERSE

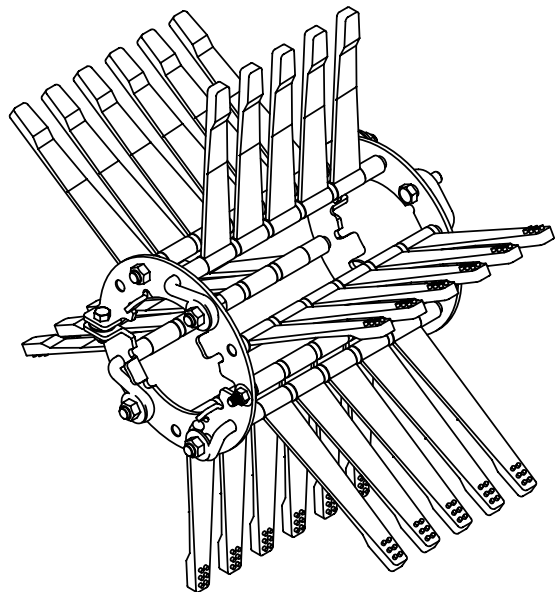
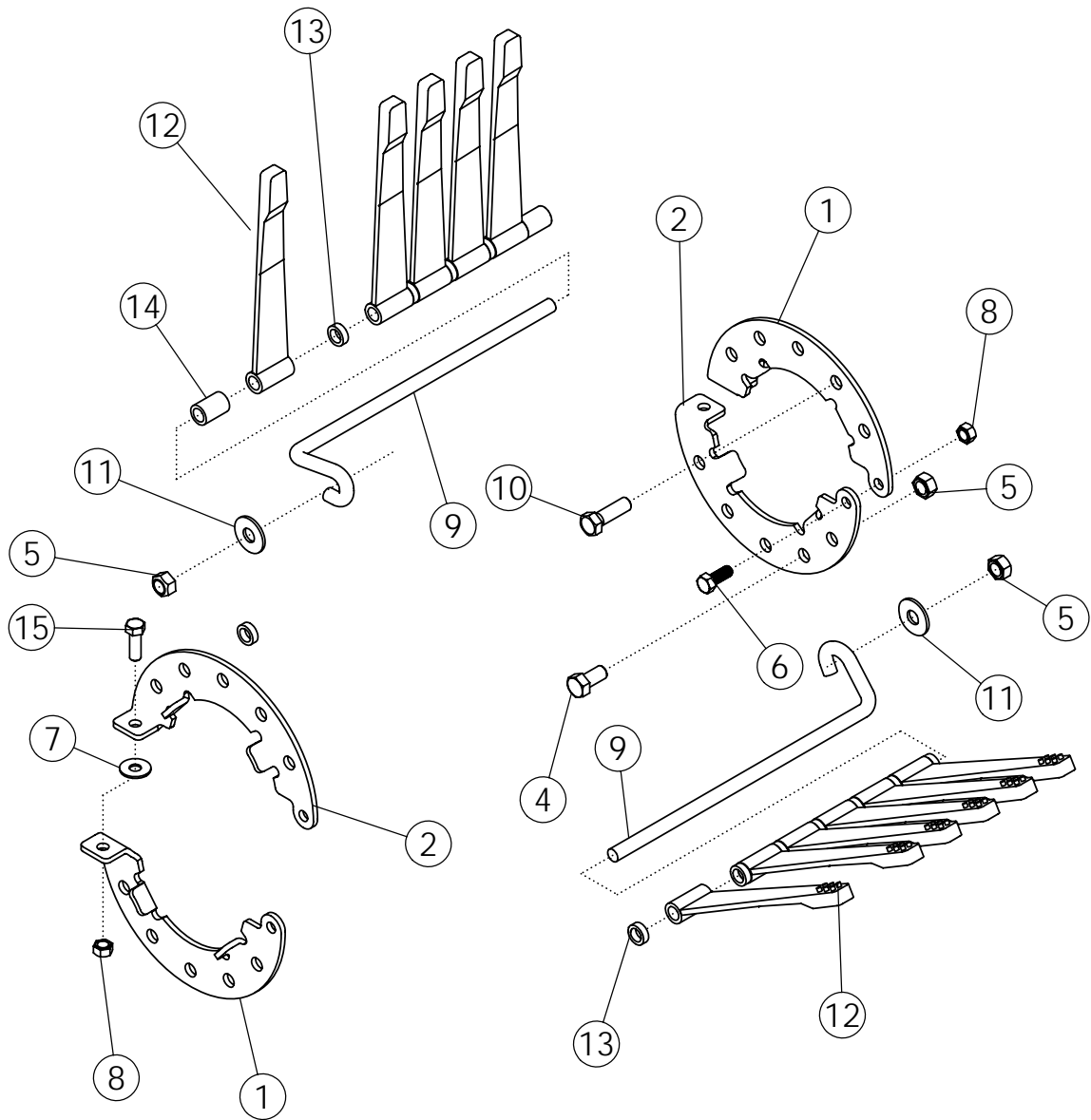
ITEM	PART NO.	DESCRIPTION	QTY
1	52062	FLAIL RING LH - ZP	2
2	52061	FLAIL RING RH - ZP	2
3	58084	PLATE	4
4	1032509	BOLT-HEX: .63 X 1.25 NC GR5 ZP	4
5	1016595	NUT-TOPLOCK: .63 NC GR5 ZP	6
6	1011606	BOLT-HEX: .50 X 1.25 NC GR5 ZP	2
7	1011607	BOLT-HEX: .50 X 1.50 NC GR5 ZP	2
8	1014443	WASHER-FLAT: .50 ZP	2
9	1027461	NUT-TOPLOCK: .50 NC GR5 ZP	4
10	68479	FLAIL-CUP 8"	6
11	68546	SPACER 1.45"	6
12	68553	BUSHING-FLAIL 10.50"	2
13	68549	WLDMT-FLAIL ROD CUP	2
IN BETWEEN ROWS			
14	68545*	ASSY-FLAIL CUP 6.63"	1
15	68479	FLAIL-CUP 8"	6
16	68546	SPACER 1.45"	6
17	68553	BUSHING-FLAIL 10.50"	2
18	68549	WLDMT-FLAIL ROD CUP	2
19	1016595	NUT-TOPLOCK: .63 NC GR5 ZP	2

*ITEMS 1-13 ARE INCLUDED IN ITEM 14



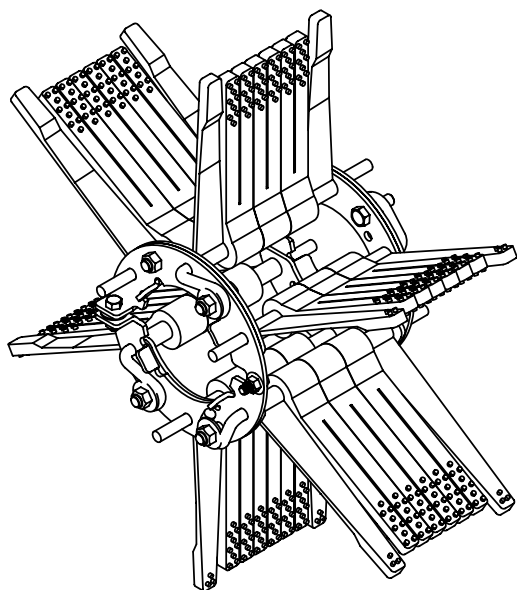
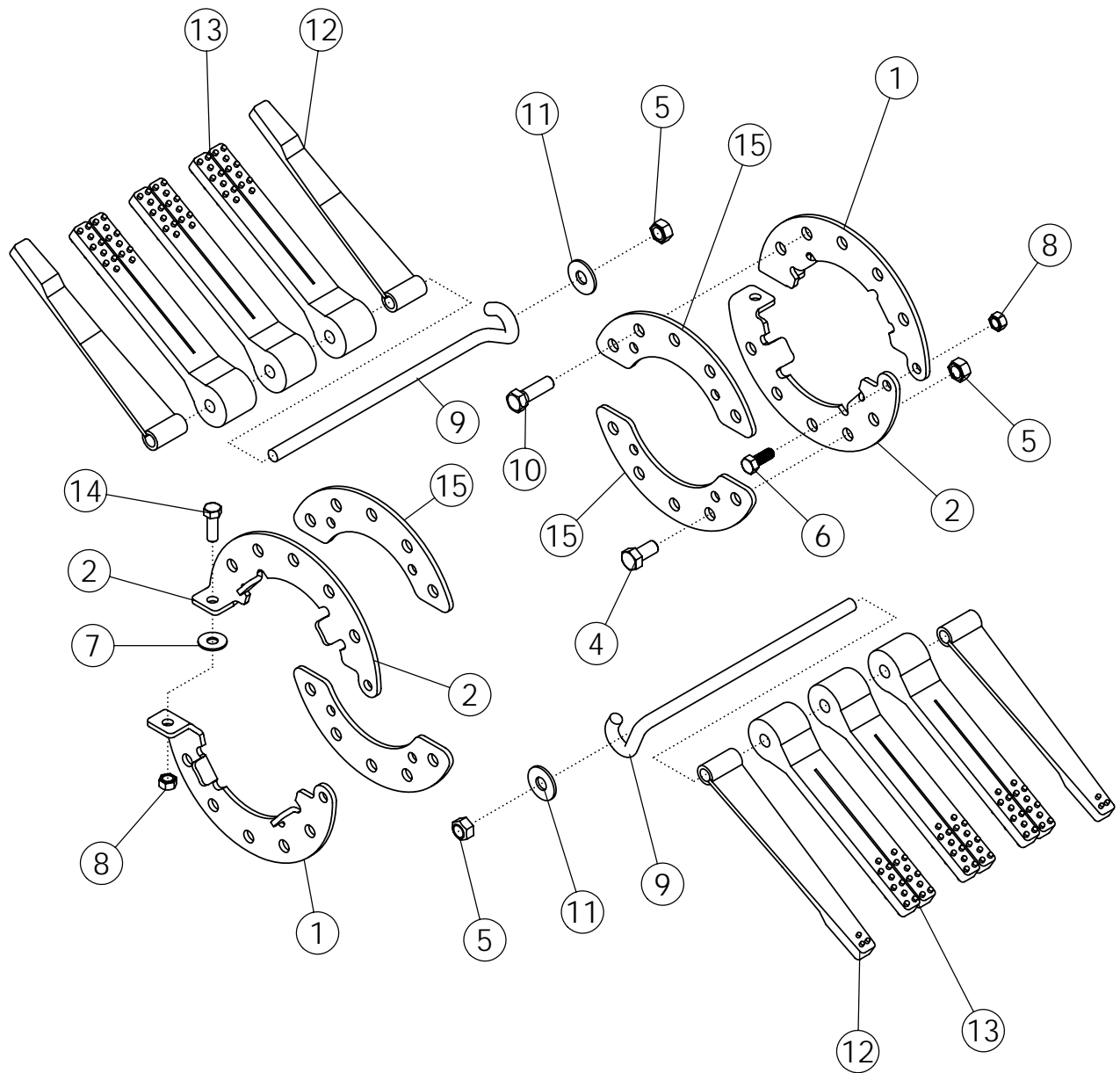
FLAILS ON #2 DRUM

ITEM	PART NO.	DESCRIPTION	QTY
1	52062	FLAIL RING-LH	2
2	52061	FLAIL RING-RH	2
3	58084	PLATE-REINFORCEMENT ZP	4
4	1032509	BOLT-HEX: .63 X 1.25 NC GR5 ZP	2
5	1016595	NUT-TOPLOCK: .63 NC GR5 ZP	8
6	1011606	BOLT-HEX: .50 X 1.25 NC GR5 ZP	2
7	1014443	WASHER-FLAT: .50 ZP	2
8	1027461	NUT-TOPLOCK: .50 NC GR5 ZP	4
9	51839	FLAIL ROD	6
10	1011623	BOLT-HEX: .63 X 2.00 NC GR5 ZP	6
11	1013024	WASHER-FLAT: .63 ZP	6
12	52356	FLAIL-STUDDDED 1 X 12	27
	52354	FLAIL-RUBBER 1 X 12 (PREMIER)	27
13	51547	SPACER 5/16	27
14	51548	SPACER 1-7/16	6
15	1011607	BOLT-HEX: .50 X 1.50 NC GR5 ZP	2



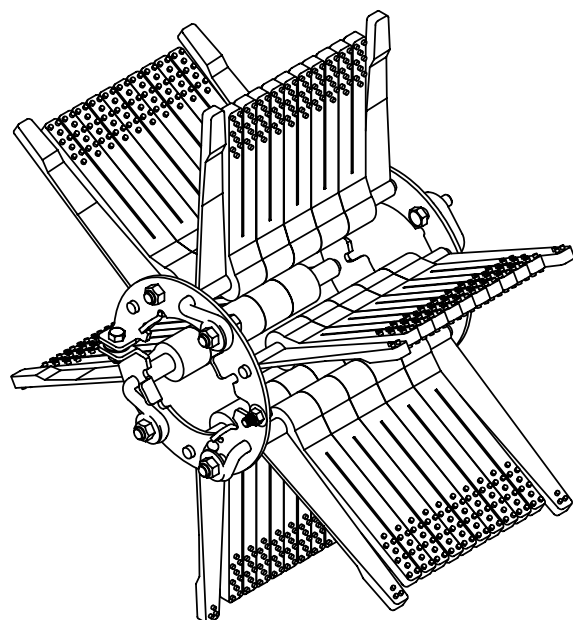
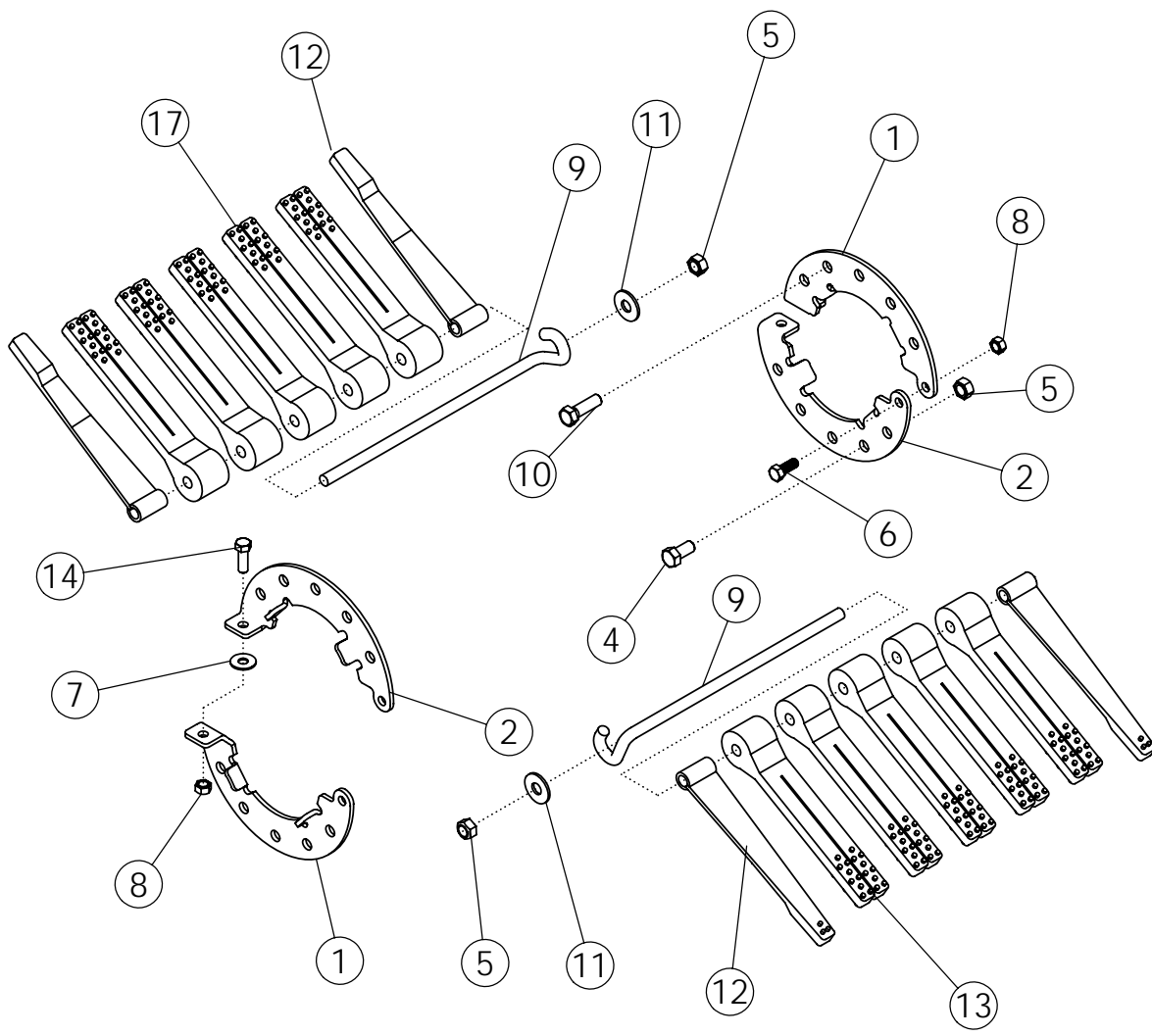
FLAILS ON #2 DRUM 30" SPACING

ITEM	PART NO.	DESCRIPTION	QTY
1	52062	FLAIL RING-LH	2
2	52061	FLAIL RING-RH	2
3	58084	PLATE-REINFORCEMENT ZP	4
4	1032509	BOLT-HEX: .63 X 1.25 NC GR5 ZP	2
5	1016595	NUT-TOPLOCK: .63 NC GR5 ZP	8
6	1011606	BOLT-HEX: .50 X 1.25 NC GR5 ZP	2
7	1014443	WASHER-FLAT: .50 ZP	2
8	1027461	NUT-TOPLOCK: .50 NC GR5 ZP	4
9	51840	FLAIL ROD	6
10	1011623	BOLT-HEX: .63 X 2.00 NC GR5 ZP	6
11	1013024	WASHER-FLAT: .63 ZP	6
12	52356	FLAIL-STUDDDED 1 X 12	33
	52354	FLAIL-RUBBER 1 X 12 (PREMIER)	33
13	51547	SPACER 5/16	33
14	51548	SPACER 1-7/16	6
15	1011607	BOLT-HEX: .50 X 1.50 NC GR5 ZP	2



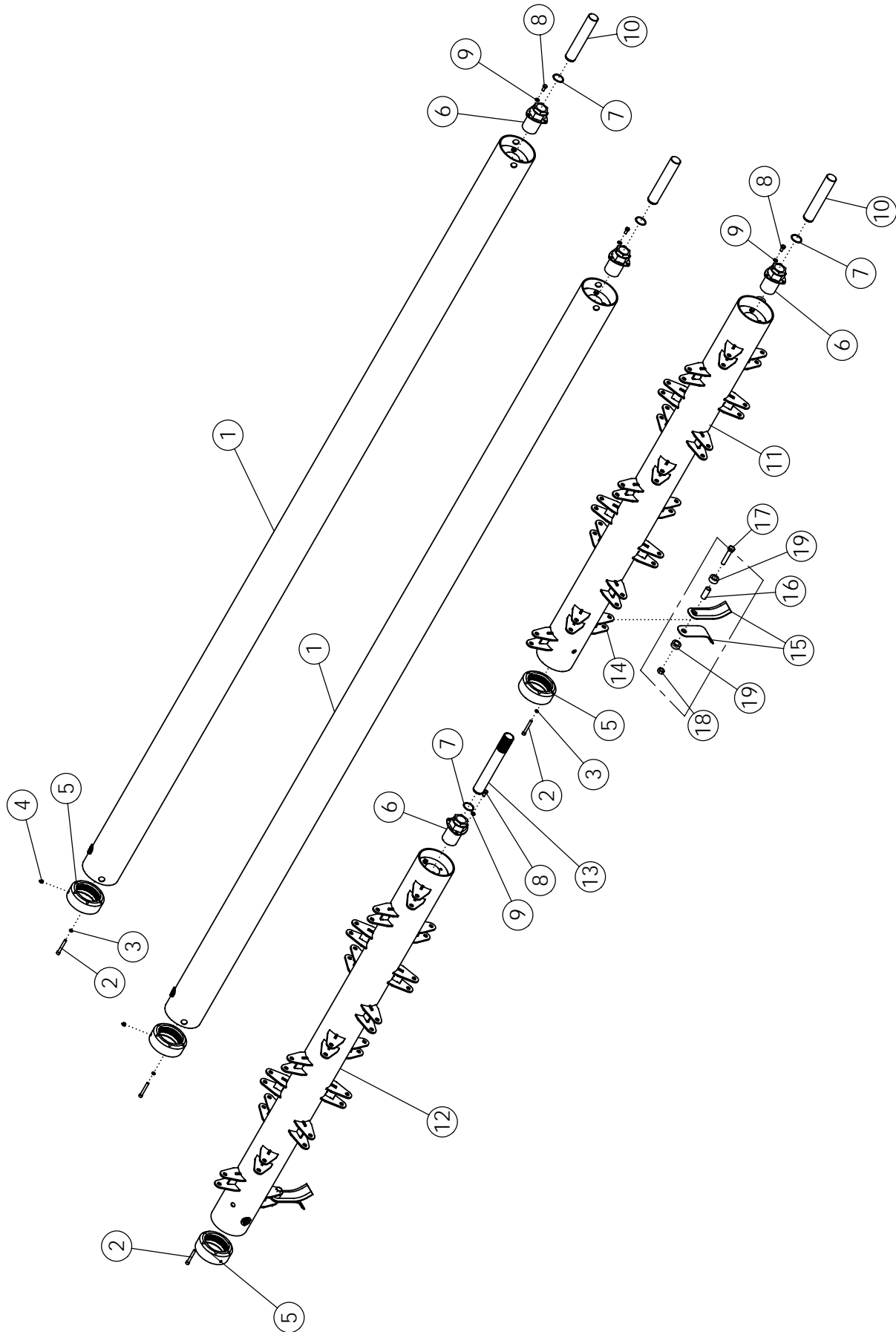
FLAILS ON #3 DRUM

ITEM	PART NO.	DESCRIPTION	QTY
1	52062	FLAIL RING-LH	2
2	52061	FLAIL RING-RH	2
3	58084	PLATE-REINFORCEMENT ZP	4
4	1032509	BOLT-HEX: .63 X 1.25 NC GR5 ZP	2
5	1016595	NUT-TOPLOCK: .63 NC GR5 ZP	8
6	1011606	BOLT-HEX: .50 X 1.25 NC GR5 ZP	2
7	1014443	WASHER-FLAT: .50 ZP	2
8	1027461	NUT-TOPLOCK: .50 NC GR5 ZP	4
9	51839	FLAIL ROD	6
10	1011623	BOLT-HEX: .63 X 2.00 NC GR5 ZP	6
11	1013024	WASHER-FLAT: .63 ZP	6
12	52355	FLAIL-SWEEP 1 X 13-1/4	12
13	58255	FLAIL-SPLIT TAPER 2 X 12	18
	52356	FLAIL-STUDDER 1 X 12	18
14	1011607	BOLT-HEX: .50 X 1.50 NC GR5 ZP	2



FLAILS ON #3 DRUM 30" SPACING

ITEM	PART NO.	DESCRIPTION	QTY
1	52062	FLAIL RING-LH	2
2	52061	FLAIL RING-RH	2
3	58084	PLATE-REINFORCEMENT ZP	4
4	1032509	BOLT-HEX: .63 X 1.25 NC GR5 ZP	2
5	1016595	NUT-TOPLOCK: .63 NC GR5 ZP	8
6	1011606	BOLT-HEX: .50 X 1.25 NC GR5 ZP	2
7	1014443	WASHER-FLAT: .50 ZP	2
8	1027461	NUT-TOPLOCK: .50 NC GR5 ZP	4
9	51840	FLAIL ROD	6
10	1011623	BOLT-HEX: .63 X 2.00 NC GR5 ZP	6
11	1013024	WASHER-FLAT: .63 ZP	6
12	52355	FLAIL-SWEEP 1 X 13-1/4	12
13	58255	FLAIL-SPLIT TAPER 2 X 12	30
	52354	FLAIL-RUBBER 1 X 12	30
14	1011607	BOLT-HEX: .50 X 1.50 NC GR5 ZP	2



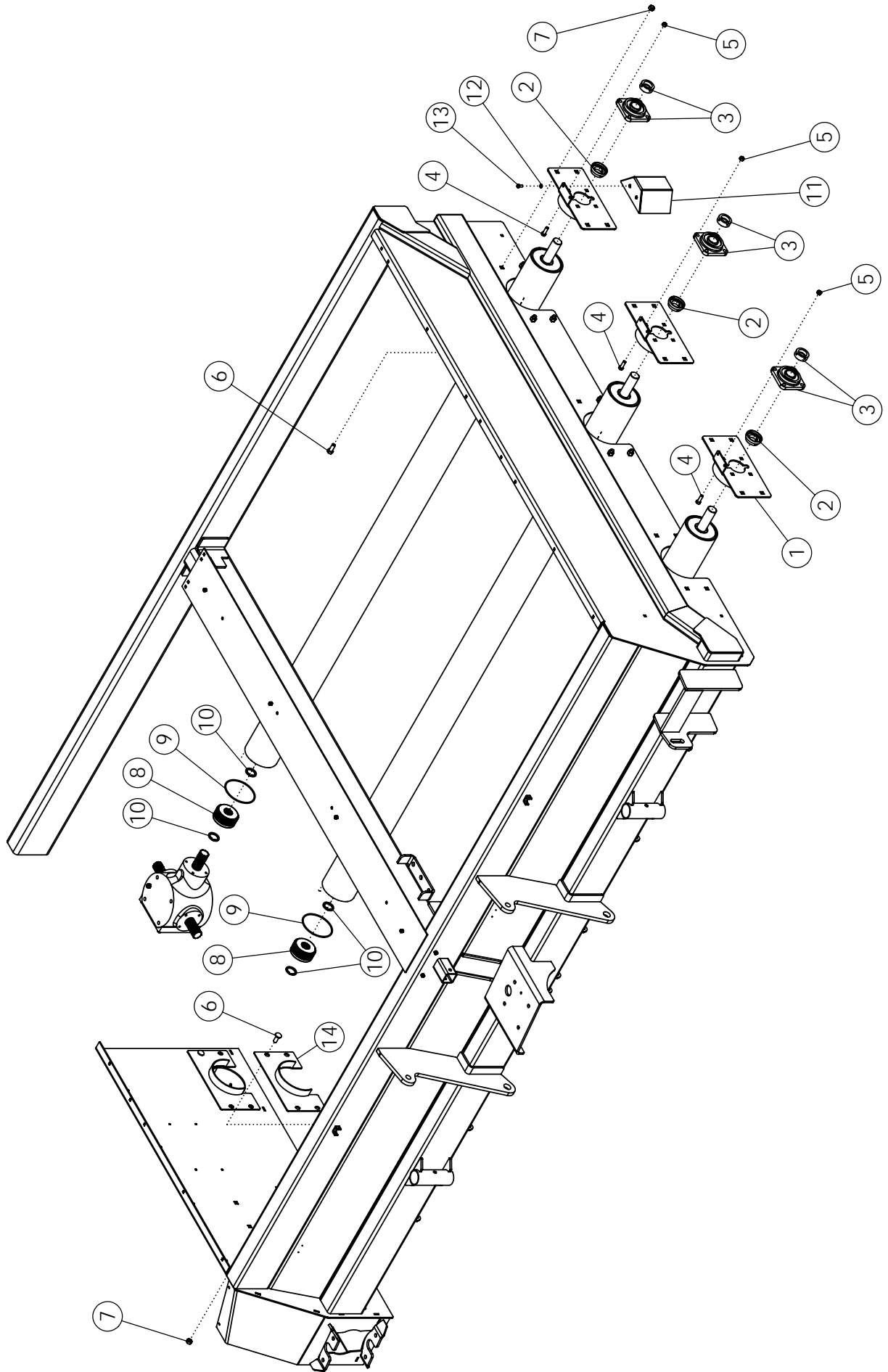
FLAIL TUBE ASSEMBLY

ITEM	PART NO.	DESCRIPTION	QTY
1	68490*	FLAIL TUBE - 0822 TT (COMPLETE)	2
2	68417	SCREW: S-H-CAP .38 X 2.75 NC	24
3	68418	WASHER-LOCK: .38 HIGH COLLAR	24
4	1030766	ZERK-GREASE: .13 NPT	4
5	68412	DRIVE SLEEVE	4
6	64163	TRANTORQUE: 1.750" X 3.375"	4
7	64184	RING-RETAINING 1.750"	4
8	1011599	BOLT-HEX: .38 X .75 NC GR5 ZP	12
9	1011586	WASHER-LOCK: .38 ZP	12
10	68445	SHAFT-IDLER	3
11	68611	ASSY-STEEL DRUM LH 0822 (COMPLETE)	1
	68626	ASSY-STL CUP DRMLH 0822 (COMPLETE)	
12	68618	ASSY-STEEL DRUM RH 0822 (COMPLETE)	1
	68632	ASSY-STL CUP DRMRH 0822 (COMPLETE)	
13	68442	SHAFT-SPLINED COUPLING	1

OPTIONAL L-KNIFE

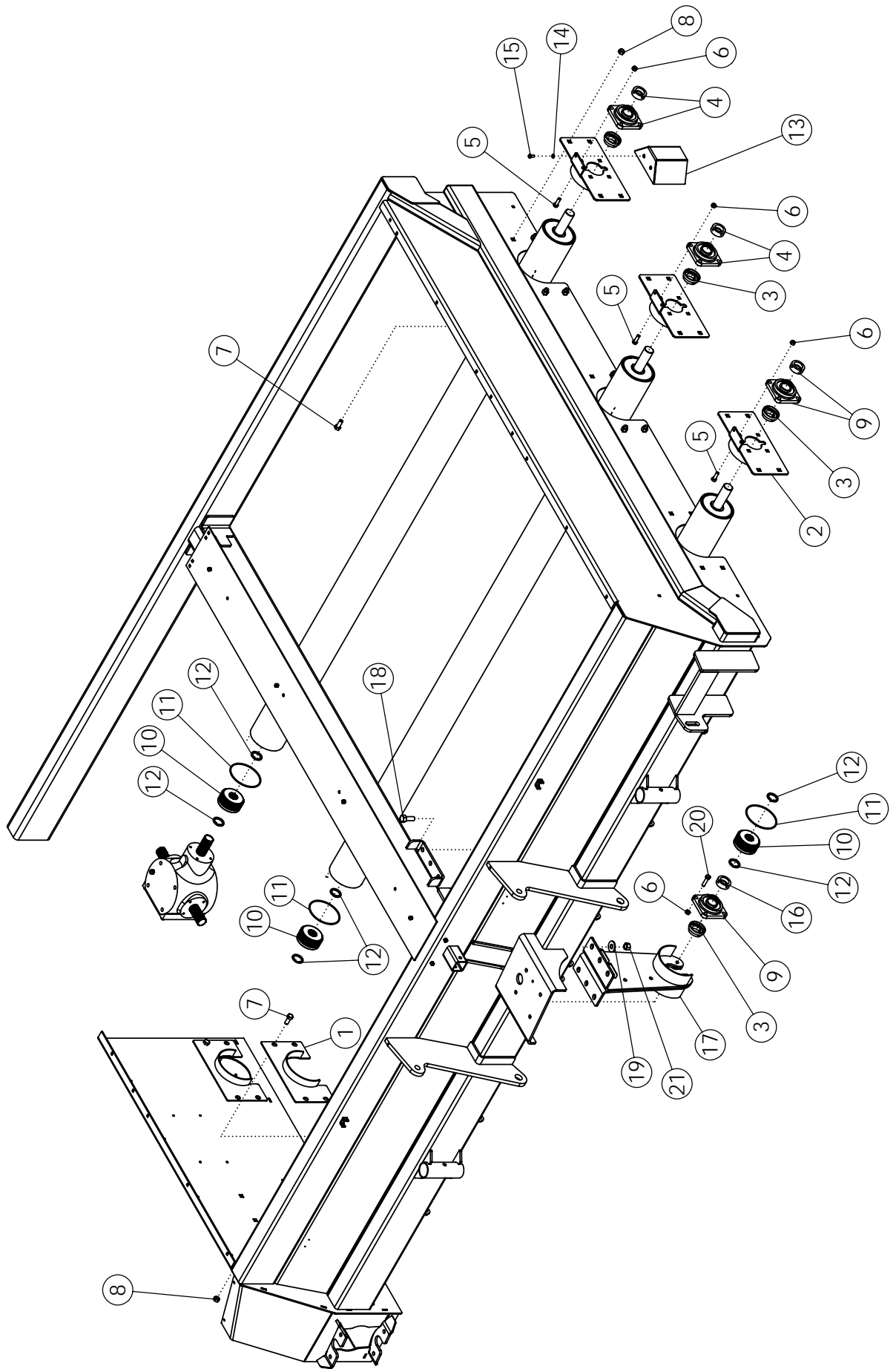
14	68400	WLDMT-FLAIL HOLDER	40
15	58680	FLAIL-STEEL	80
16	68427	BUSHING-L KNIFE	40
17	65825	BOLT-HEX: .63 X 3.25 NC GR5 ZP	40
18	1016595	NUT-TOPLOCK: .63 NC GR5 ZP	40
19	68426	SPACER- L KNIFE	80

* QUANTITY OF 3 ON A NON-STEEL FRONT DRUM



FLAIL TUBE MOUNTING

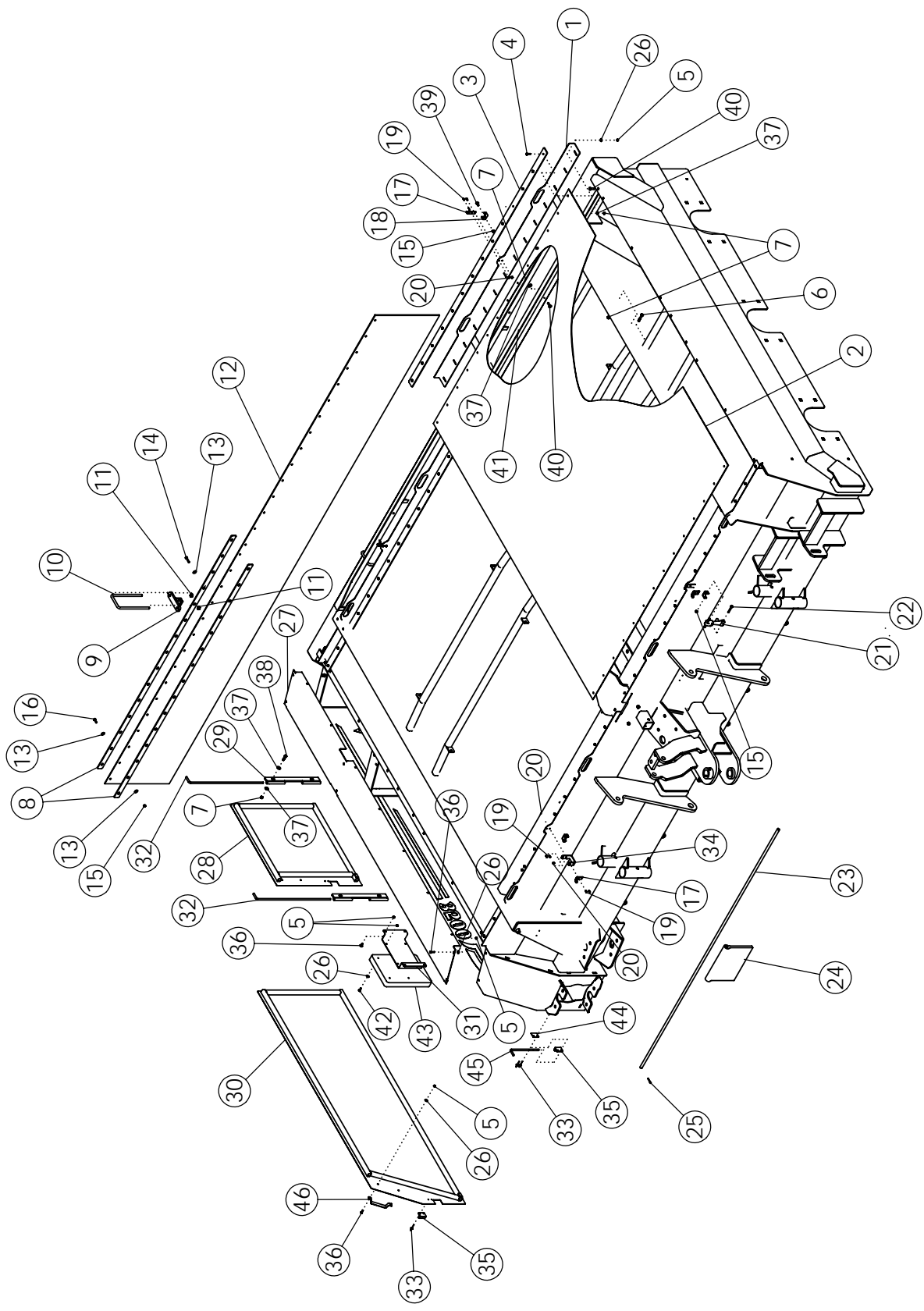
ITEM	PART NO.	DESCRIPTION	QTY
1	68244	WLDMT-BEARING PLATE	3
2	52382	SEAL PROTECTOR 1.75	3
3	52404	BEARING-FLANGE 1.75	3
4	1011660	BOLT-CRG: .50 X 1.50 NC GR5 ZP	12
5	1027461	NUT-TOPLOCK: .50 NC GR5 ZP	12
6	72063	BOLT-CRG: .63 X 1.50 NC GR5 ZP	24
7	1016595	NUT-TOPLOCK: .63 NC GR5 ZP	24
8	68413	COUPLER-DRIVE	3
9	68414	O-RING 70 BUNA	3
10	68415	SNAP RING	6
11	68462	WLDMT-IDLER SHIELD	3
12	1011586	WASHER-LOCK: .38 ZP	6
13	1011599	BOLT-HEX: .38 X .75 NC GR5 ZP	6
14	51809	WLDMT-SHIELD ANTI-WRAP	3



FLAIL TUBE MOUNTING - STEEL FRONT TUBE OPTION

ITEM	PART NO.	DESCRIPTION	QTY
1	51809	WLDMT - SHIELD ANTI WRAP NARROW	3
2	68244	WLDMT-BEARING PLATE	3
3	52382	SEAL PROTECTOR 1.75	4
4	52404	BEARING-FLANGE 1.75	2
5	1011660	BOLT-CRG: .50 X 1.50 NC GR5 ZP	12
6	1027461	NUT-TOPLOCK: .50 NC GR5 ZP	16
7	72063	BOLT-CRG: .63 X 1.50 NC GR5 ZP	24
8	1016595	NUT-TOPLOCK: .63 NC GR5 ZP	24
9	63506	BEARING-FLANGE 1.75 N-SEAL	2
10	68413	COUPLER-DRIVE	4
11	68414	O-RING 70 BUNA	4
12	68415	SNAP RING	8
13	68462	WLDMT-IDLER SHIELD	3
14	1011586	WASHER-LOCK: .38 GR5 ZP	6
15	1011599	BOLT-HEX: .38 X .75 NC GR5 ZP	6
16	52383*	LOCK PROTECTOR 1.75	1
17	68634	WLDMT-HANGER BOLT-ON	1
18	1012060	BOLT-HEX: .75 X 2.00 NC GR5 ZP	6
19	1030702	WASHER-FLAT: .75 ZP	6
20	1011609	BOLT-HEX: .50 X 2.00 NC GR5	4
21	1017000	NUT-TOPLOCK: .75 NC GR5 ZP	6

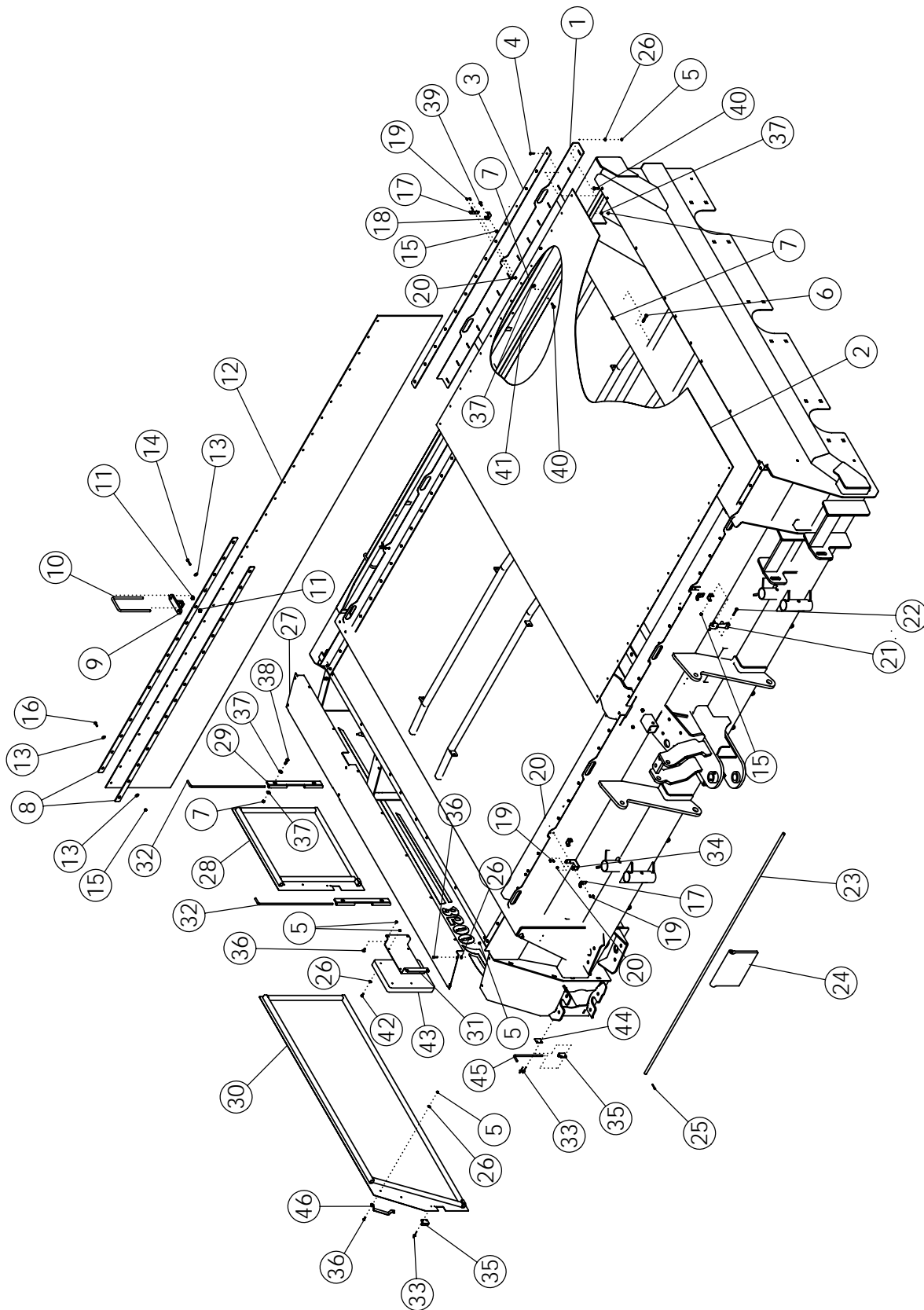
* Replaces lock collar provided with bearing for the center



DOORS AND SHIELDS

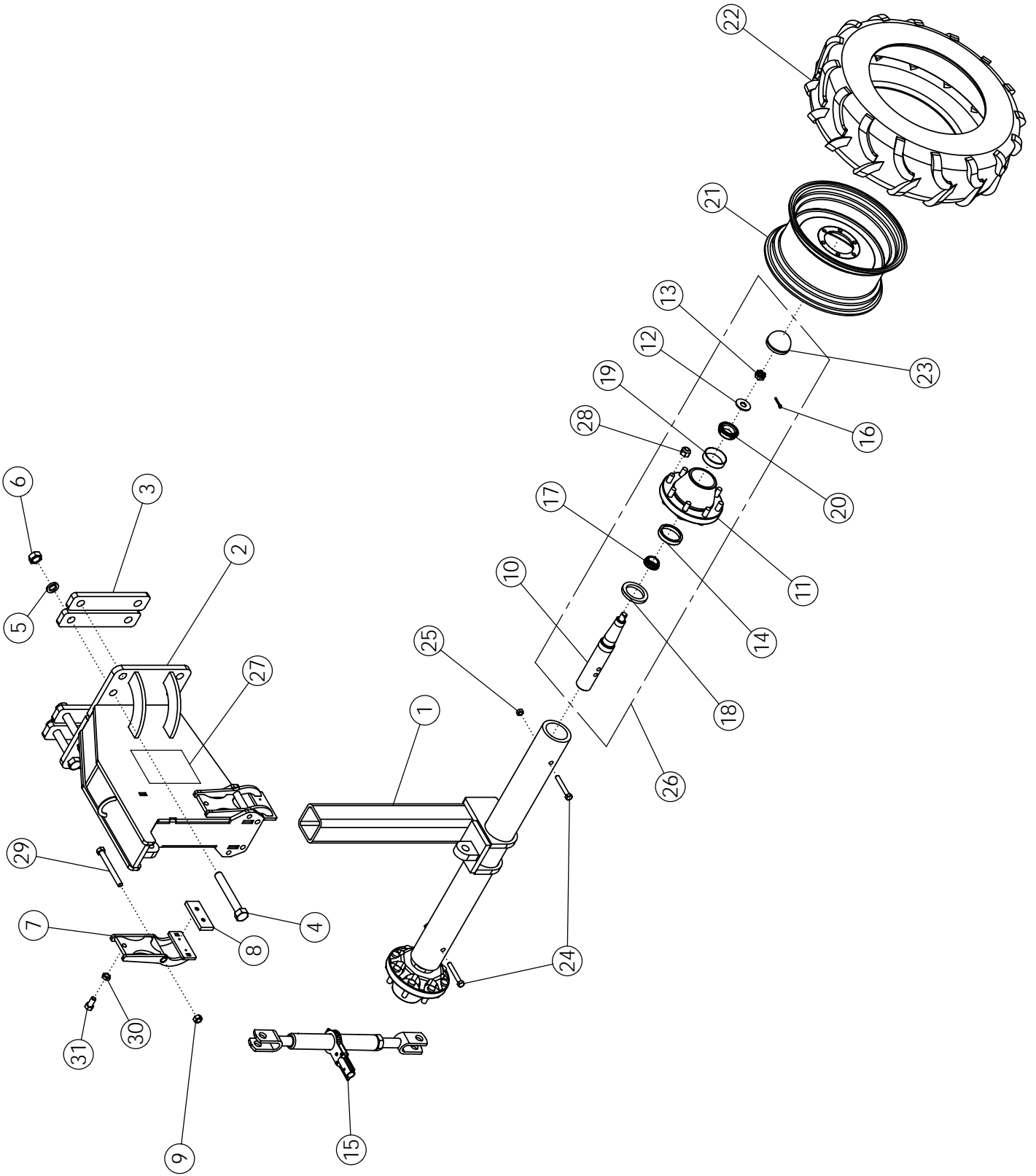
ITEM	PART NO.	DESCRIPTION	QTY
1	63148	WLDMT-DOOR	4
2	63147	TARP	2
3	63149	BRACKET-TOP STL DEF COVER	4
4	1013423	BOLT-HEX: .25 X 1.00 NC GR5 ZP	56
5	1030946	NUT-TOPLOCK: .25 NC GR5 ZP	81
6	1011725	BOLT-HEX: .38 X 2.00 NC GR5 ZP	8
7	1016999	NUT-TOPLOCK: .38 NC GR5 ZP	20
8	63447	BAR-REAR FLAP	4
9	63448	WLDMT-REAR FLAP MOUNT	4
10	63458	U-BOLT: .50 X 9.25 X 4.00 X 9.25 ZP	4
11	1027461	NUT-TOPLOCK: .50 NC GR5 ZP	8
12	52358	FLAP-REAR	1
13	1011583	WASHER-FLAT: .31 ZP	60
14	1013424	BOLT-HEX: .31 X 1.75 NC GR5 ZP	4
15	1030700	NUT-TOPLOCK: .31 NC GR5 ZP	36
16	1011598	BOLT-HEX: .31 X 1.00 NC GR5 ZP	26
17	52239	HOOD BRACKET-LARGE	4
18	52237	ANCHOR BRACKET-LARGE	2
19	1013462	SCREW-R-H-SL: .19 X .50 NC GR2	12
20	1026591	NUT-K-LOCK: .19 NC GR2 ZP	12
21	52238	RUBBER HOOK-LARGE	4
22	1011285	BOLT-HEX: .31 X 2.00 NC GR5 ZP	4
23	64701	SHAFT-RETAINING SHIELD	2
24	64648	FLAP-RUBBER WR	14
25	1012375	PIN-COTTER: .19 X 1.50 ZP	4
26	1020416	WASHER-FLAT: .25 ZP	70
27	68201	PANEL-TOP SHIELD	1
28	68386	WLDMT-REAR SIDE DOOR	1
29	72680	WLDMT-DOOR HINGE	2
30	68387	WLDMT-FRONT SIDE DOOR	1
31	68324	PLATE-DEF MANUAL CASE	1
32	51303	DOOR HINGE ROD ZP	2
33	1011974	RIVET-POP: .19 X .531 ZP	4
34	68320	TARP BRACKET	2
35	64140	WLDMT-DOOR LATCH ZP	4
36	68602	BOLT-CRG: .25 X .75 NC GR5 ZP	21
37	1011828	WASHER-FLAT: .38 ZP	16
38	1011601	BOLT-HEX: .38 X 1.25 NC GR5 ZP	4
39	1011597	BOLT-HEX: .31 X .75 NC GR5 ZP	2
40	1016362	BOLT-CRG: .38 X 1.25 NC GR5 ZP	8

CONTINUED



DOORS AND SHIELDS (CONTINUED)

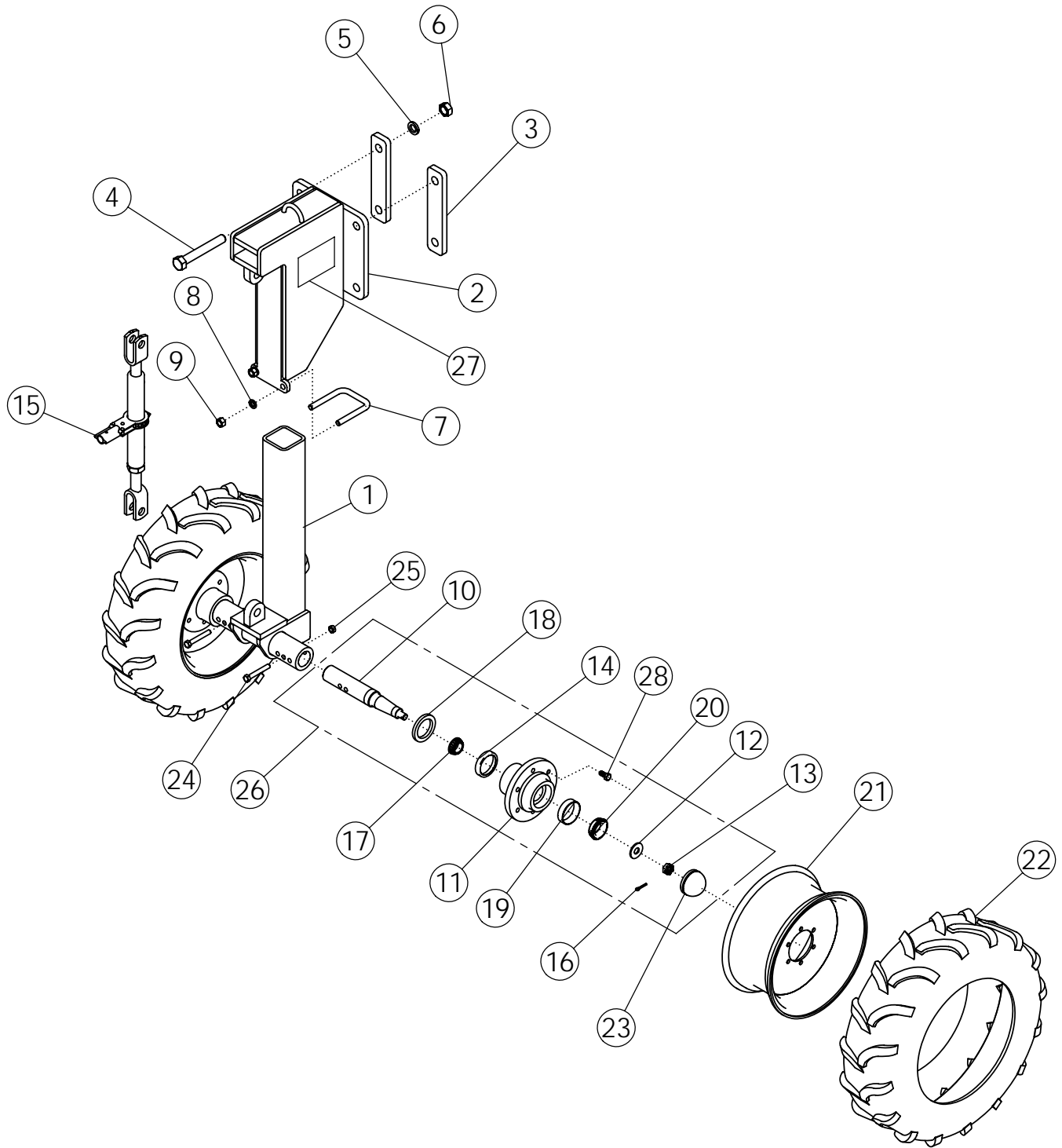
ITEM	PART NO.	DESCRIPTION	QTY
41	68968	PLATE-DOOR CROSS 8R LH	1
	68969	PLATE-DOOR CROSS 8R RH (NOT SHOWN)	1
42	1011595	BOLT-HEX: .25 X .75 NC GR5 ZP	4
43	64635	CASE-MANUAL STORAGE	1
44	69141	PLATE-DOOR LATCH SPACER	2
45	51304	DOOR LOCK ZP	2
46	68715	HANDLE GRAB DOOR	2



STANDARD REAR STRUTS - 11.2 X 24 TIRES

ITEM	PART NO.	DESCRIPTION	QTY
1	68331	WLDMT-SPINDLE HOUSING (44")	1
	68236	WLDMT-SPINDLE HOUSING (NARROW)	1
	68766	WLDMT-SPINDLE HOUSING- 6" OFFSET RH	1
	68767	WLDMT-SPINDLE HOUSING- 6" OFFSET LH	1
2	68332	WLDMT-STD STRUT UPPER	1
3	58408	BAR - BOLTING	4
4	1018839	BOLT-HEX: 1.00 X 7.00 NC GR8 ZP	8
5	1013539	WASHER-LOCK: 1.00 ZP	8
6	1012664	NUT-HEX: 1.00 NC GR2 ZP	8
7	69956	WLDMT- DEF STRUT CLAMP	2
8	69971	PLASTIC-STRUT CLAMP	2
9	1016595	NUT-TOPLOCK: .63 NC GR5 ZP	2
10	52954*	SPINDLE	2
11	53623*	HUB-WHEEL 8-BOLT	2
12	1030728*	WASHER-FLAT: .SAE 1.000 ZP	2
13	1030726*	NUT-SPINDLE: 1.00 NF	2
14	53622*	BEARING CUP INNER	2
15	52407	RATCHET JACK-PAINTED	1
16	1030797*	PIN-COTTER: .19 X 1.75 NP	2
17	53621*	BEARING CONE INNER	2
18	53619*	SEAL	2
19	52243*	BEARING CUP OUTER	2
20	53620*	BEARING CONE OUTER	2
21	56903	WHEEL W10 X 24 8 BOLT	2
22	56976	TIRE 11.2-24 10 PLY R1	2
	68973	TUBE-REPAIR 11.2-24 (NOT SHOWN)	AR
23	53624*	CAP-HUB	2
24	1011618	BOLT-HEX: .50 X 5.00 NC GR5 ZP	2
25	1027461	NUT-TOPLOCK: .50 NC GR5 ZP	2
26	53167	ASSY HUB & SPINDLE	2
27	52248	DECAL-CAUTION	1
28	53625*	NUT-WHEEL: .63-18NF	16
29	1013068	BOLT-HEX .63 X 6.00 NC GR5 ZP	2
30	66336	NUT-JAM: .63 NF GR2 ZP	2
31	1030703	BOLT-HEX: .63 X 1.25 NF GR5 ZP	2

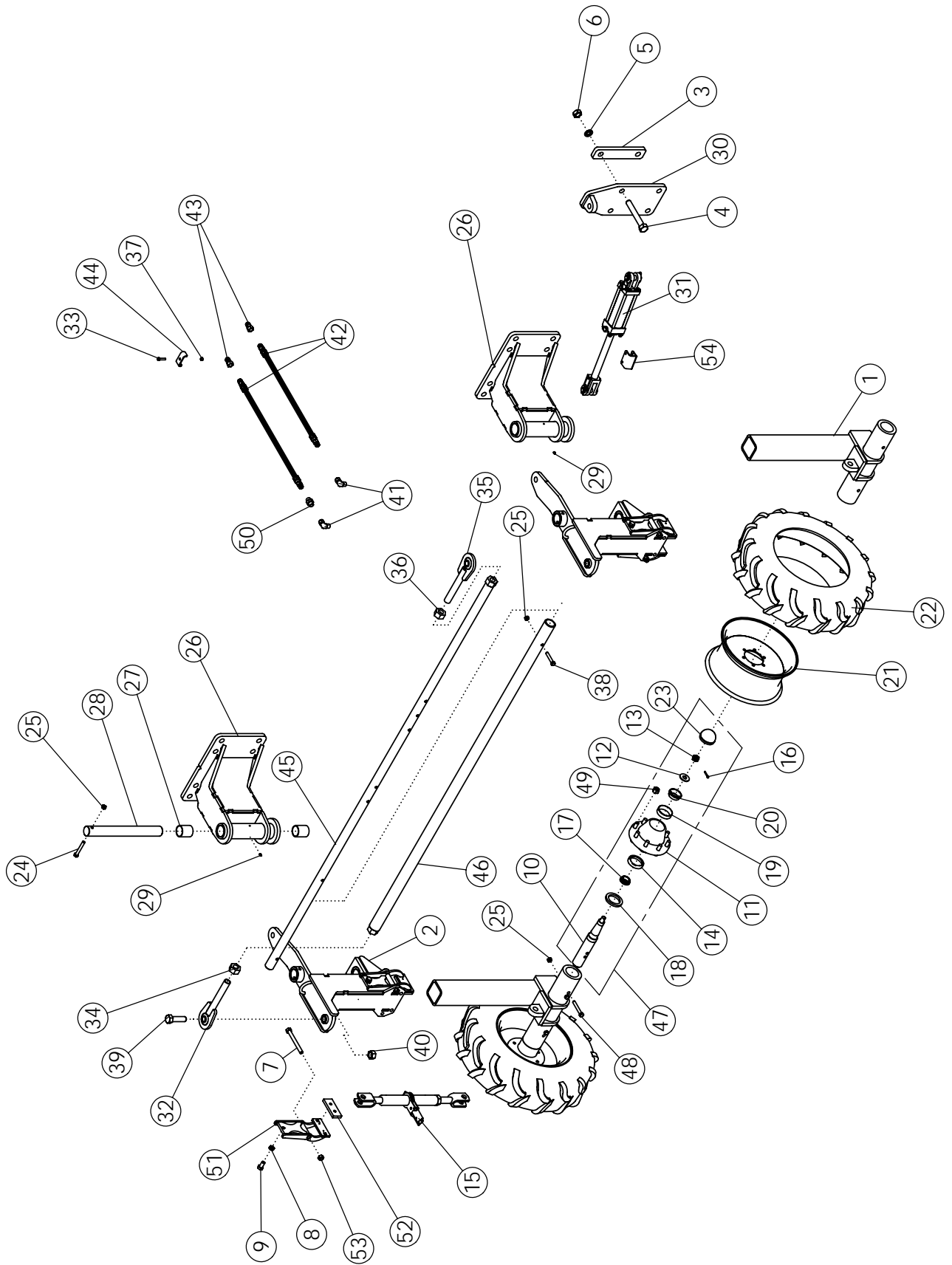
* Items are included in Item 26



STANDARD REAR STRUTS - 7.60 X 15 TIRES

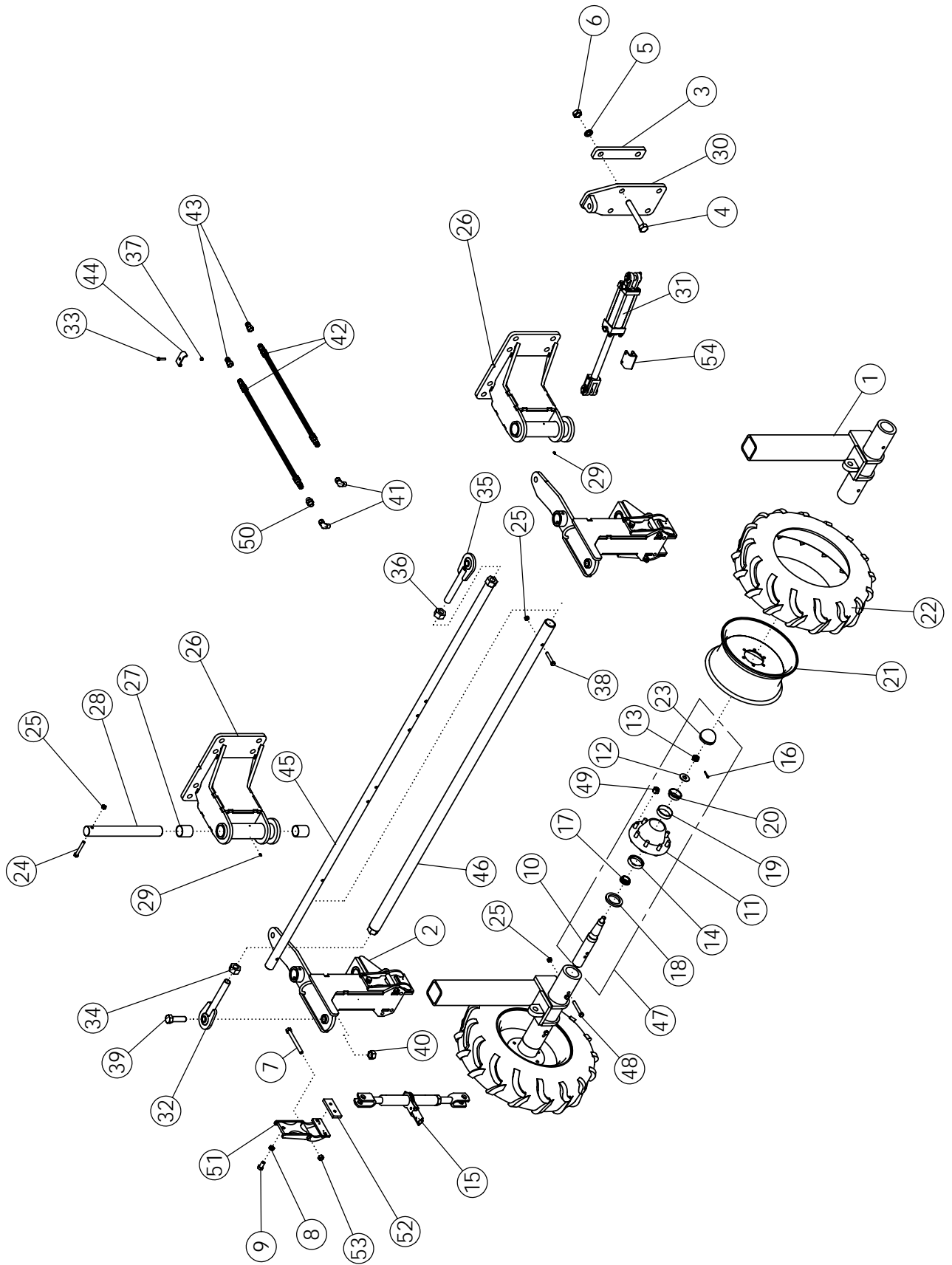
ITEM	PART NO.	DESCRIPTION	QTY
1	58281	WLDMT-SPINDLE HOUSING	1
	64402	WLDMT-SPINDLE HOUSING- 6" OFFSET RH	1
	64406	WLDMT-SPINDLE HOUSING- 6" OFFSET LH	1
2	63559	WLDMT-STD STRUT UPPER	1
3	58408	BAR - BOLTING	2
4	1018839	BOLT-HEX: 1.00 X 7.00 NC GR8 ZP	4
5	1013539	WASHER-LOCK: 1.00 ZP	4
6	1012664	NUT-HEX: 1.00 NC GR2 ZP	4
7	60547	U-BOLT: .63 X 5.25 X 4.00 X 5.25	1
8	1011813	WASHER-LOCK: .63 ZP	2
9	1011578	NUT-HEX: .63 NC GR2 ZP	2
10	52138*	SPINDLE	2
11	52247*	HUB-WHEEL 6-BOLT	2
12	1012377*	WASHER-SPINDLE: .81 X 2.00 NP	2
13	1012376*	NUT-SLOTTED: .75 NF GR5 NP	2
14	52243*	CUP-BEARING INNER	2
15	52407	RATCHET JACK-PAINTED	1
16	1012375*	PIN-COTTER: .19 X 1.50 NP	2
17	52245*	CONE-BEARING INNER	2
18	52242*	SEAL	2
19	52244*	CUP-BEARING OUTER	2
20	52246*	CONE-BEARING OUTER	2
21	52411	WHEEL 6.00-15 6 BOLT	2
22	52410	TIRE 7.60-15 I-3 6 PLY	2
	68974	TUBE-REPAIR 7.60-15 (NOT SHOWN)	AR
23	52241*	CAP-HUB	2
24	1011612	BOLT-HEX: .50 X 3.50 NC GR5 ZP	2
25	1027461	NUT-TOPLOCK: .50 NC GR5 ZP	2
26	52116	ASSY HUB & SPINDLE	2
27	52248	DECAL-CAUTION	1
28	1013426*	BOLT-LUG: .50 X 1.00 NF GR5 ZP	12

* Items are included in Item 26



STEERABLE REAR STRUTS - 11.2 X 24 TIRES

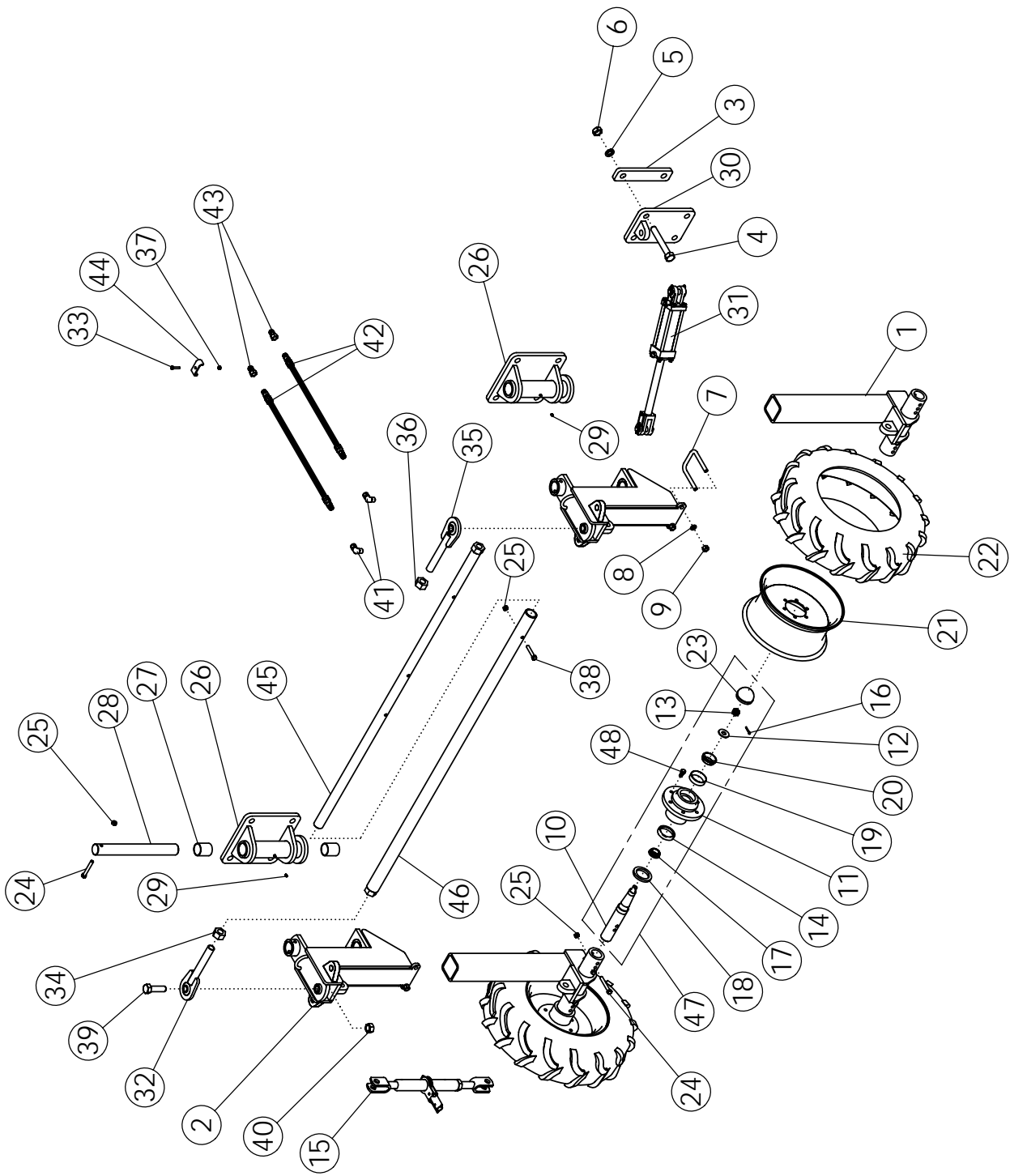
ITEM	PART NO.	DESCRIPTION	QTY
1	68236	WLDMT-SPINDLE HOUSING (NARROW)	2
2	68237	WLDMT-STEERABLE STRUT UPPER	2
3	58408	BAR - BOLTING	10
4	1018839	BOLT-HEX: 1.00 X 7.00 NC GR8 ZP	20
5	1013539	WASHER-LOCK: 1.00 ZP	20
6	1012664	NUT-HEX: 1.00 NC GR2 ZP	20
7	1013068	BOLT-HEX .63 X 6.00 NC GR5 ZP	2
8	66336	NUT-JAM: .63 NF GR2 ZP	2
9	1030703	BOLT-HEX: .63 X 1.25 NF GR5 ZP	2
10	52954*	SPINDLE	4
11	53623*	HUB-WHEEL 8 BOLT	4
12	1030728*	WASHER-FLAT: SAE 1.00 ZP	4
13	1030726*	NUT-SPINDLE: 1.00 NF NP	4
14	53622*	BEARING CUP INNER	2
15	52407	RATCHET JACK-PAINTED	2
16	1030797*	PIN-COTTER: .19 X 1.75 NP	4
17	53621*	BEARING CONE INNER	4
18	53619*	SEAL	4
19	52243*	BEARING CUP OUTER	4
20	53620*	BEARING CONE OUTER	4
21	56903	WHEEL W10 X 24 8 BOLT	4
22	56976	TIRE 11.2-24 10 PLY R1	4
	68973	TUBE-REPAIR 11.2-24 (NOT SHOWN)	AR
23	53624*	CAP-HUB	4
24	1011612	BOLT-HEX: .50 X 3.50 GR5 ZP	2
25	1027461	NUT-TOPLOCK: .50 NC GR5 ZP	7
26	68238	WLDMT-PIVOT MOUNT	2
27	59204	BUSHING - BORED	4
28	58274	SHAFT	2
29	1011748	ZERK - GREASE	4
30	68234	WLDMT-CYLINDER BRACKET	1
31	62319	CYLINDER HYDRAULIC 2 X 4	1
32	58203	WLDMT-TIE ROD END LH	1
33	1014124	BOLT-HEX: .31 X 1.50 NC GR5 ZP	2
34	1030729	NUT-HEX: 1.25 NC GR2 LH ZP	1
35	58186	WLDMT-TIE ROD END RH	1
36	1011621	NUT-HEX: 1.25 NC GR2 ZP	1
37	1030700	NUT-TOPLOCK: .31 NC GR5 ZP	2
38	1016858	BOLT-HEX: .50 X 2.75 NC GR5 ZP	1
39	1011626	BOLT-HEX: 1.00 X 3.50 NC GR5 ZP	2
40	1016969	NUT-TOPLOCK: 1.00 NC GR5 ZP	2



STEERABLE REAR STRUTS - 11.2 X 24 TIRES (CONTINUED)

ITEM	PART NO.	DESCRIPTION	QTY
41	52421	FTG-ELBOW: 6MB-8FPX 90	2
42	52261	HOSE: .50 X 276 8MP-8MP	2
43	53631	PIONEER TIP 8010-4	2
44	50714	CLAMP 1/2" ZP	2
45	58488	WLDMT-TIE ROD MALE 85"	1
46	58486	WLDMT-TIE ROD FEMALE 85"	1
47	53167	ASSY-HUB & SPINDLE	4
48	1011618	BOLT-HEX: .50 X 5.00 NCGR5 ZP	4
49	53625*	NUT-WHEEL: .63-18NF	32
50	64737	FTG-RESTRICTOR 8MP-8FPX .063	1
51	69956	WLDMT- DEF STRUT CLAMP	2
52	69971	PLASTIC-STRUT CLAMP	2
53	1016595	NUT-TOPLOCK: .63 NC GR5 ZP	2
WIDE (44")			
1	68331	WLDMT-SPINDLE HOUSING (44")	2
31	58890	CYLINDER-HYDRAULIC 3 X 8	1
54	68769	WLDMT-3" CYLINDER STOP	1

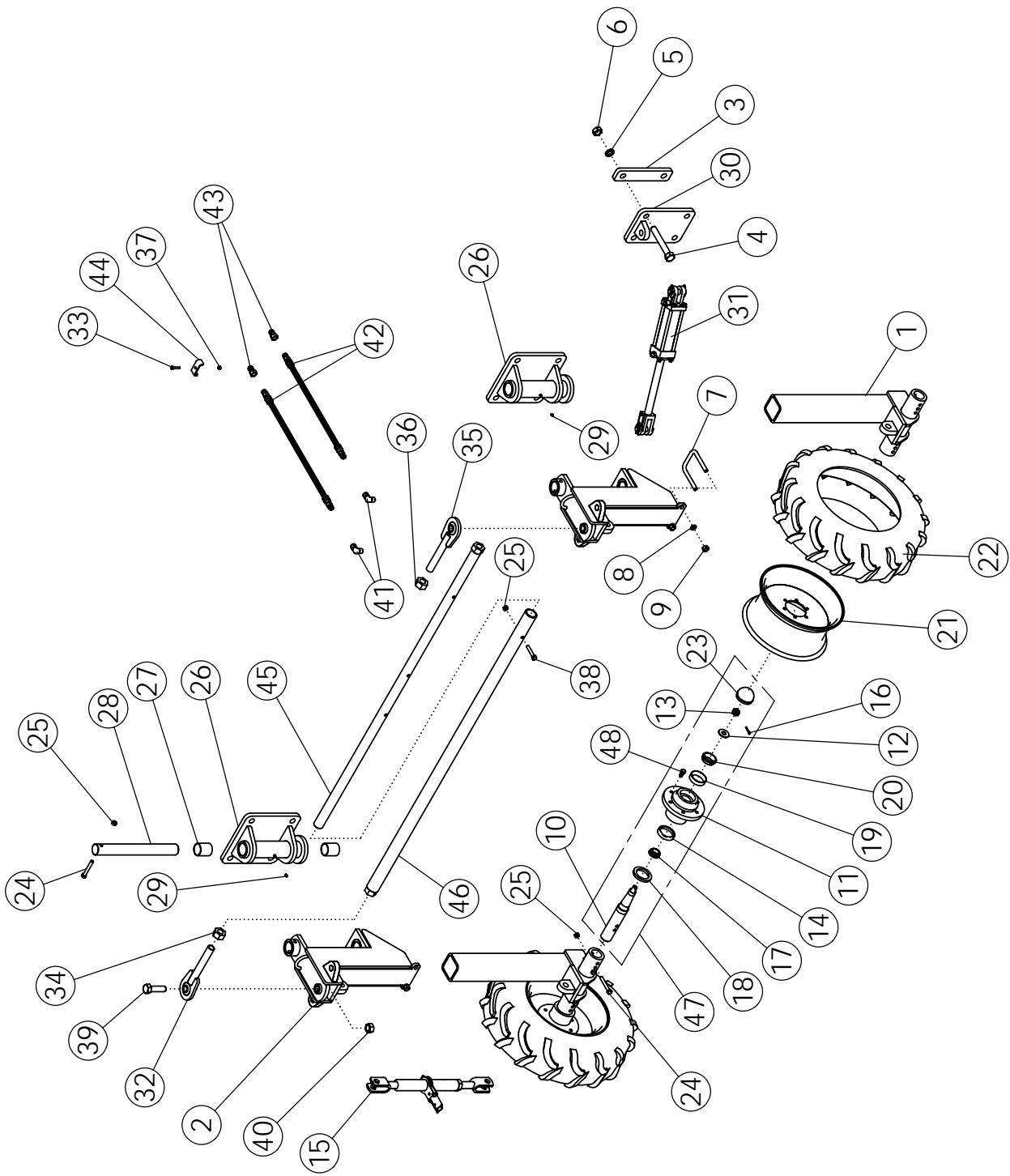
* Items are included in Item 47



STEERABLE REAR STRUTS - 7.6 X 15 TIRES

ITEM	PART NO.	DESCRIPTION	QTY
1	58281	WLDMT-SPINDLE HOUSING	2
2	63558	WLDMT-STEERABLE STRUT UPPER	2
3	58408	BAR - BOLTING	6
4	1018839	BOLT-HEX: 1.00 X 7.00 NC GR8 ZP	12
5	1013539	WASHER-LOCK: 1.00 ZP	12
6	1012664	NUT-HEX: 1.00 NC GR2 ZP	12
7	60547	U-BOLT: .63 X 5.25 X 4.00 X 5.25	2
8	1011813	WASHER-LOCK: .63 ZP	4
9	1011578	NUT-HEX: .63 NC GR2 ZP	4
10	52138*	SPINDLE	4
11	52247*	HUB-WHEEL 6 BOLT	4
12	1012377*	WASHER-SPINDLE: .81 X 2.00 NP	4
13	1012376*	NUT-SLOTTED: .75 NF GR5 NP	4
14	52243*	CUP-BEARING INNER	4
15	52407	RATCHET JACK-PAINTED	2
16	1012375*	PIN-COTTER: .19 X 1.50 ZP	4
17	52245*	CONE-BEARING INNER	4
18	52242*	SEAL	4
19	52244*	CUP-BEARING OUTER	4
20	52246*	CONE-BEARING OUTER	4
21	52411	WHEEL 6.00-15 6 BOLT	4
22	52410	TIRE 7.60-15 I-3 6 PLY	4
	68974	TUBE-REPAIR 7.60-15 (NOT SHOWN)	AR
23	52241*	CAP-HUB	4
24	1011612	BOLT-HEX: .50 X 3.50 GR5 ZP	6
25	1027461	NUT-TOPLOCK: .50 NC GR5 ZP	7
26	58283	WLDMT-PIVOT MOUNT	2
27	59204	BUSHING - BORED	4
28	58274	SHAFT	2
29	1011748	ZERK - GREASE	4
30	58410	WLDMT-CYLINDER BRACKET	1
31	58888	CYLINDER HYDRAULIC 2 X 6	1
32	58203	WLDMT-TIE ROD END LH	1
33	1014124	BOLT-HEX: .31 X 1.50 NC GR5 ZP	2
34	1030729	NUT-HEX: 1.25 NC GR2 LH ZP	1
35	58186	WLDMT-TIE ROD END RH	1
36	1011621	NUT-HEX: 1.25 NC GR2 ZP	1
37	1030700	NUT-HEX: .31 NC GR5 ZP	2
38	1016858	BOLT-HEX: .50 X 2.75 NC GR5 ZP	1
39	1011626	BOLT-HEX: 1.00 X 3.50 NC GR5 ZP	2
40	1016969	NUT-TOPLOCK: 1.00 NC GR5 ZP	2

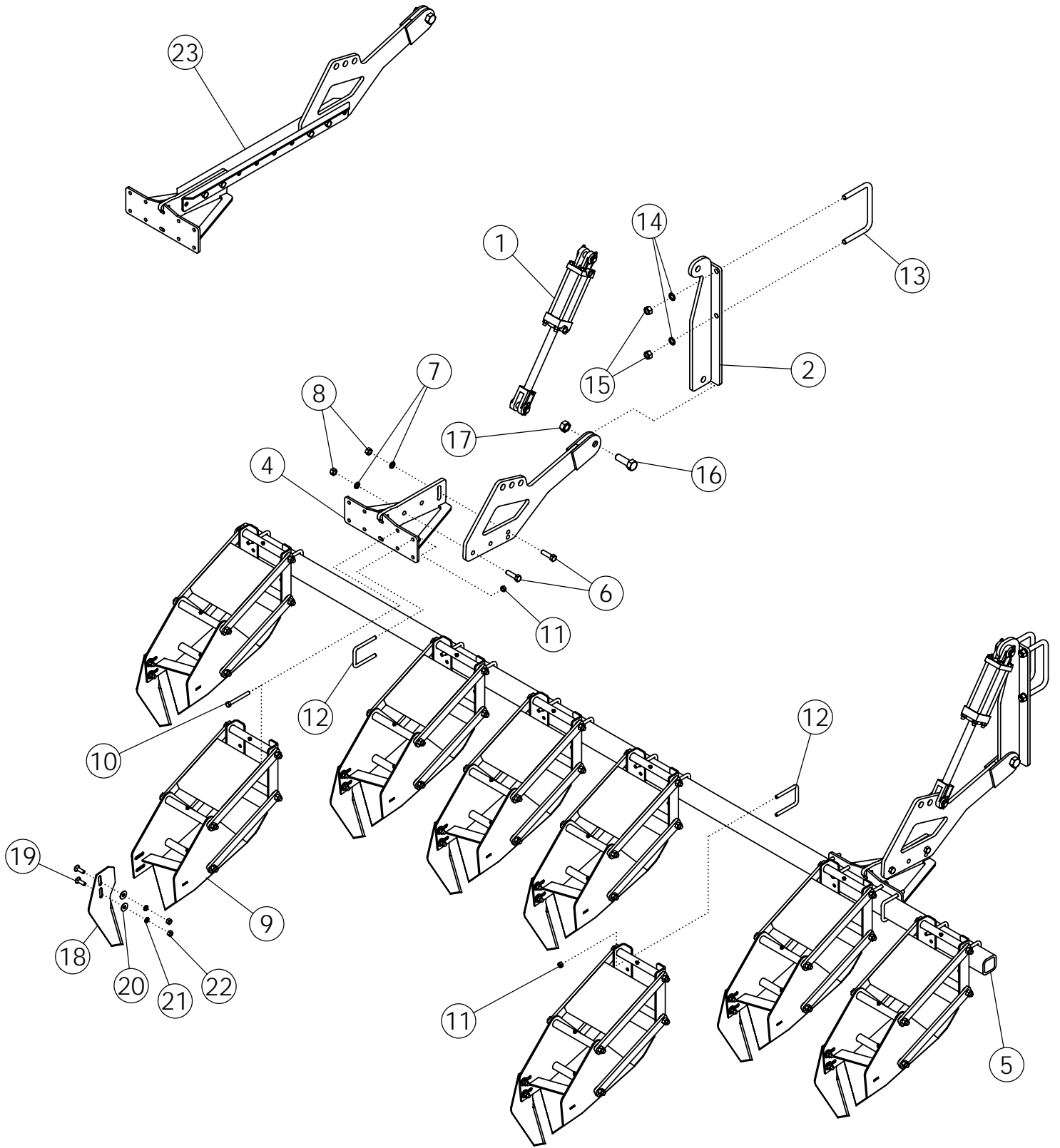
CONTINUED



STEERABLE REAR STRUTS - 7.6 X 15 TIRES (CONTINUED)

ITEM	PART NO.	DESCRIPTION	QTY
41	54013	FTG-ELBOW: 8MB-8FPX 90	2
42	52261	HOSE: .50 X 276 8MP-8MP	2
43	53631	PIONEER TIP 8010-4	2
44	50714	CLAMP 1/2" ZP	2
45	58486	WLDMT-TIE ROD FEMALE 85"	1
46	58488	WLDMT-TIE ROD MALE 85"	1
47	52116	ASSY-HUB & SPINDLE	4
48	1013426*	BOLT-LUG: .50 X 1.00 GR 5 ZP	24

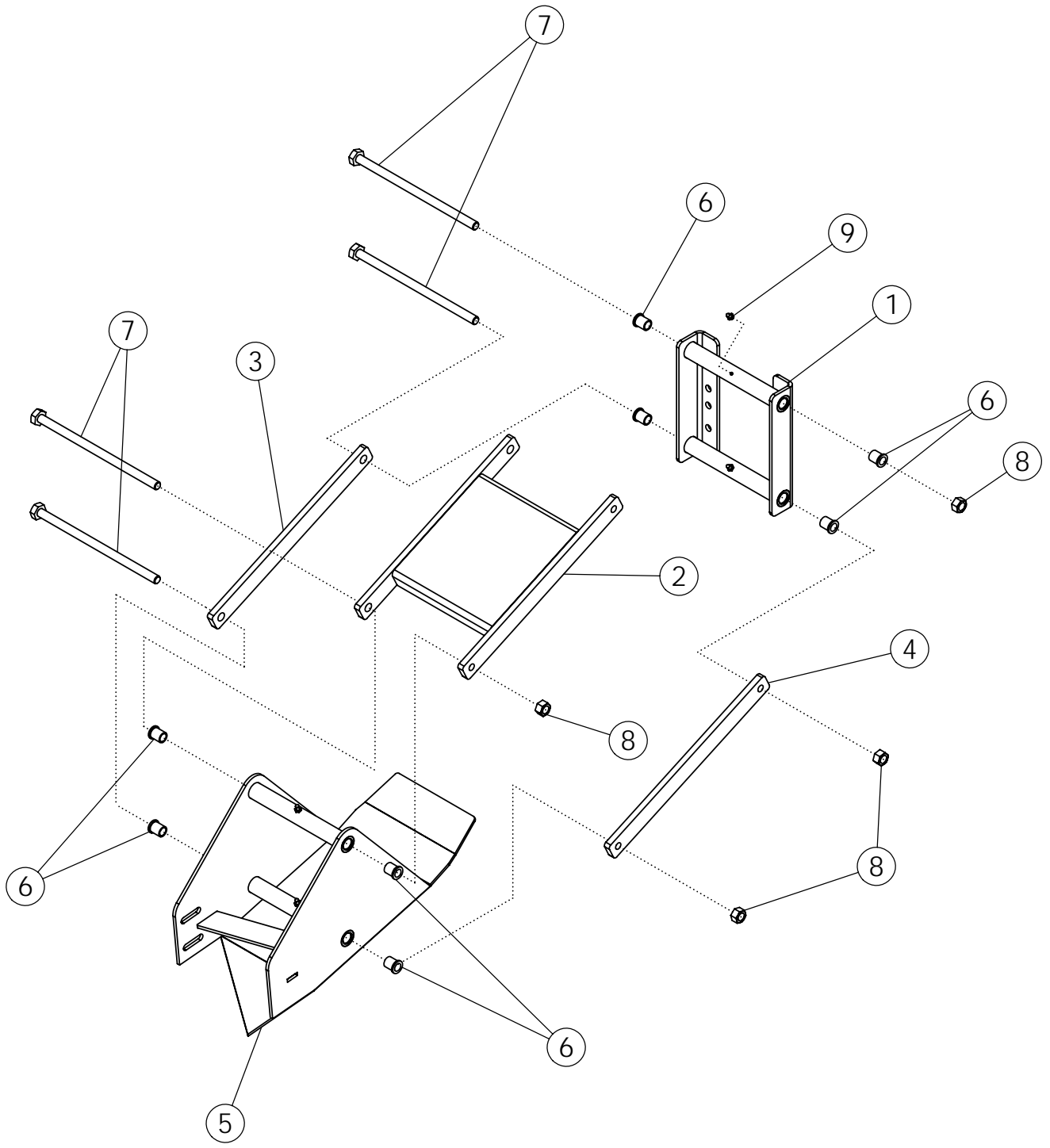
* Items are included in Item 47



SCALPER BAR ASSEMBLY

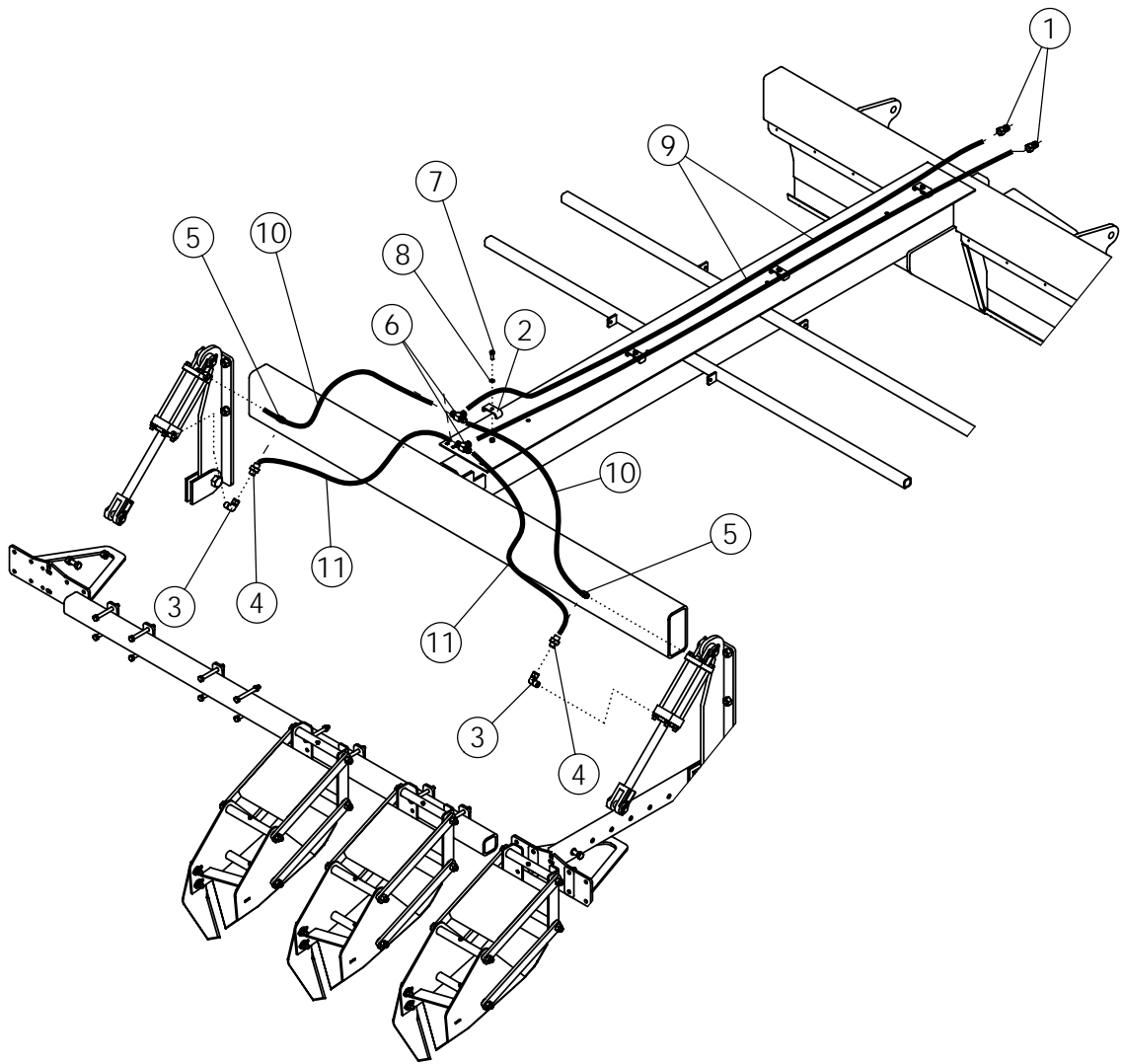
ITEM	PART NO.	DESCRIPTION	QTY	
			8R22	6R30
1	58890	CYLINDER HYDRAULIC 3 X 8	2	2
2	68239	WLDMT - MOUNT	2	2
3	69126	WLDMT-SCALPER ARM MNT	2	2
4	69127	WLDMT-BAR MNT BRACKET	2	2
5	51864	SCALPER BAR	1	1
6	1017526	BOLT-HEX .63 X 2.25 NC GR5 ZP	4	4
7	1011813	WASHER-LOCK: .63 ZP	4	4
8	1011578	NUT-HEX: .63 NC GR2 ZP	4	4
9	63462	ASSY-SCALPER BASKET	6	6
10	1013682	BOLT-HEX: .50 X 4.50 NC GR5 ZP	8	8
11	1027461	NUT-TOPLOCK: .50 NC GR5 ZP	40	32
12	69954	U-BOLT: .50 X 4.50 X 3 X 4.50	16	12
13	56263	U-BOLT: .75 X 5.5 X 8 X 5.5	4	4
14	1012061	WASHER-LOCK: .75 ZP	8	8
15	1011620	NUT-HEX: .75 NC GR2 ZP	8	8
16	1018007	BOLT-HEX: 1.0 X 3.00 NC GR5 ZP	2	2
17	1016969	NUT-TOPLOCK: 1.00 NC GR5 ZP	2	2
18	51782	SCALPER KNIFE-HEAT TREAT	8	6
19	1011660	BOLT-CRG: .50 X 1.50 NC GR5 ZP	16	12
20	1014443	WASHER-FLAT: .50 ZP	16	12
21	1011581	WASHER-LOCK: .50 ZP	16	12
22	1011577	NUT-HEX: .50 NC ZP	16	12
23	69129*	PLATE-SCALPER EXTENSION	4	4

*USED WITH LARGER TIRE OPTION



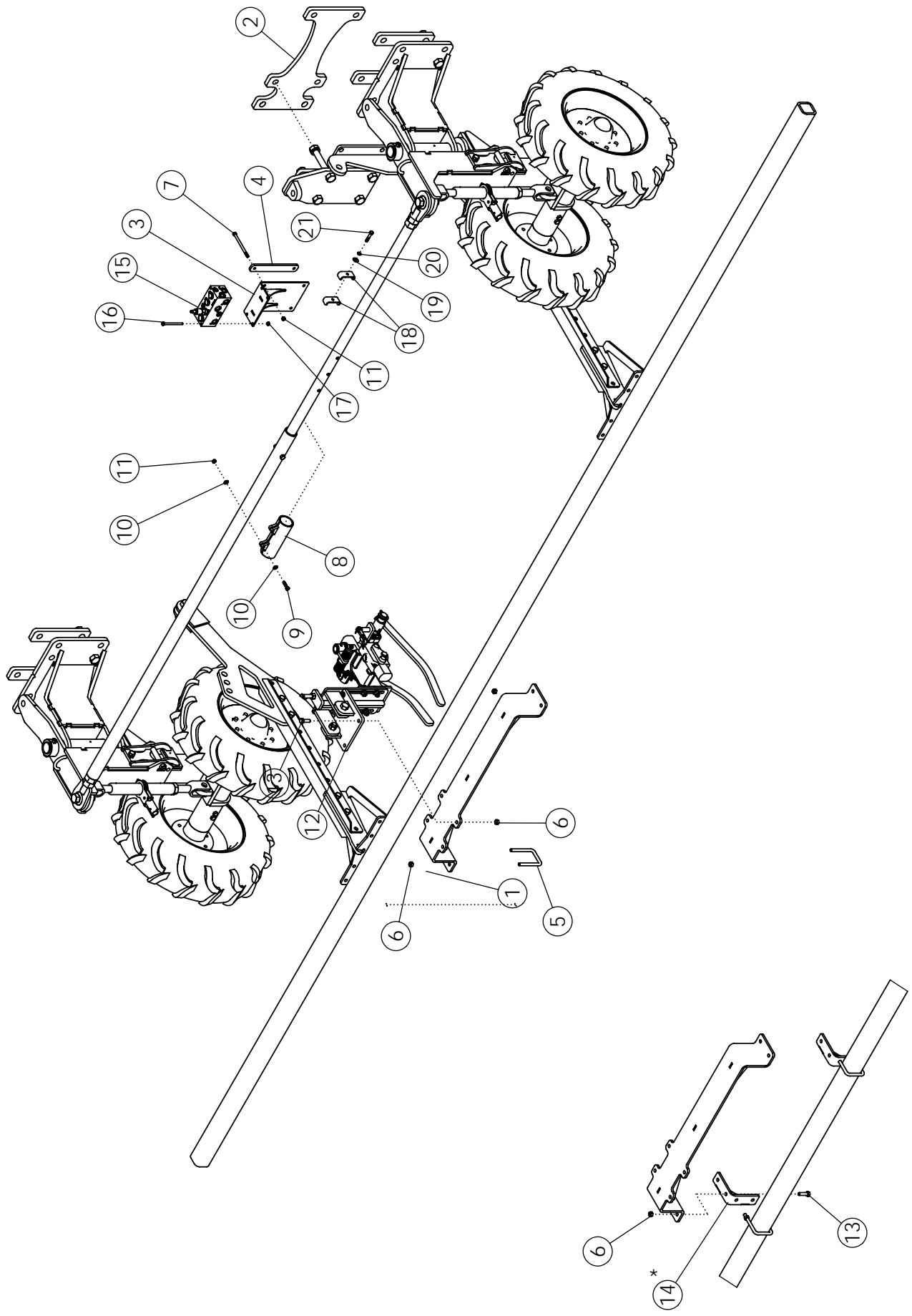
SCALPER BASKET

ITEM	PART NO.	DESCRIPTION	QTY
1	63551	WLDMT-BASKET MOUNT	1
2	63556	WLDMT-UPPER LINK	1
3	63555	BAR-PARALLEL LINK	1
4	63463	BAR-LINK THREADED	1
5	63550	WLDMT-BASKET FRAME	1
6	63459	BUSHING-FLANGE	8
7	1029446	BOLT-HEX: .63 X 12.00 NC GR5 ZP	4
8	1011578	NUT-HEX: .63 NC GR2 ZP	4
9	1011748	ZERK-GREASE .25 UNF STRAIGHT	4



SCALPER HYDRAULICS

ITEM	PART NO.	DESCRIPTION	QTY
1	53631	PIONEER TIP 8010-4	2
2	50714	CLAMP .50 ZP	4
3	58560	FTG-ELBOW: 8MB-8MJ-90	2
4	1019844	FITTING-RESTRICTOR (8FJ-8MJ .090)	2
5	56226	FTG-ADAPTER: 8MB-8MJ	2
6	57667	FTG-TEE: 8MJ-8MJ-8MJ	2
7	1011600	BOLT-HEX: .38 X 1.00 NC GR5 ZP	4
8	1011586	WASHER-LOCK: .38 ZP	4
9	68249	HOSE: .38 X 220 8MP-8FJX	2
10	68247	HOSE: .38 X 60 8FJX-8FJX	2
11	68248	HOSE: .38 X 68 8FJX-8FJX	2



NON-AMITY SCALPER MOUNTING

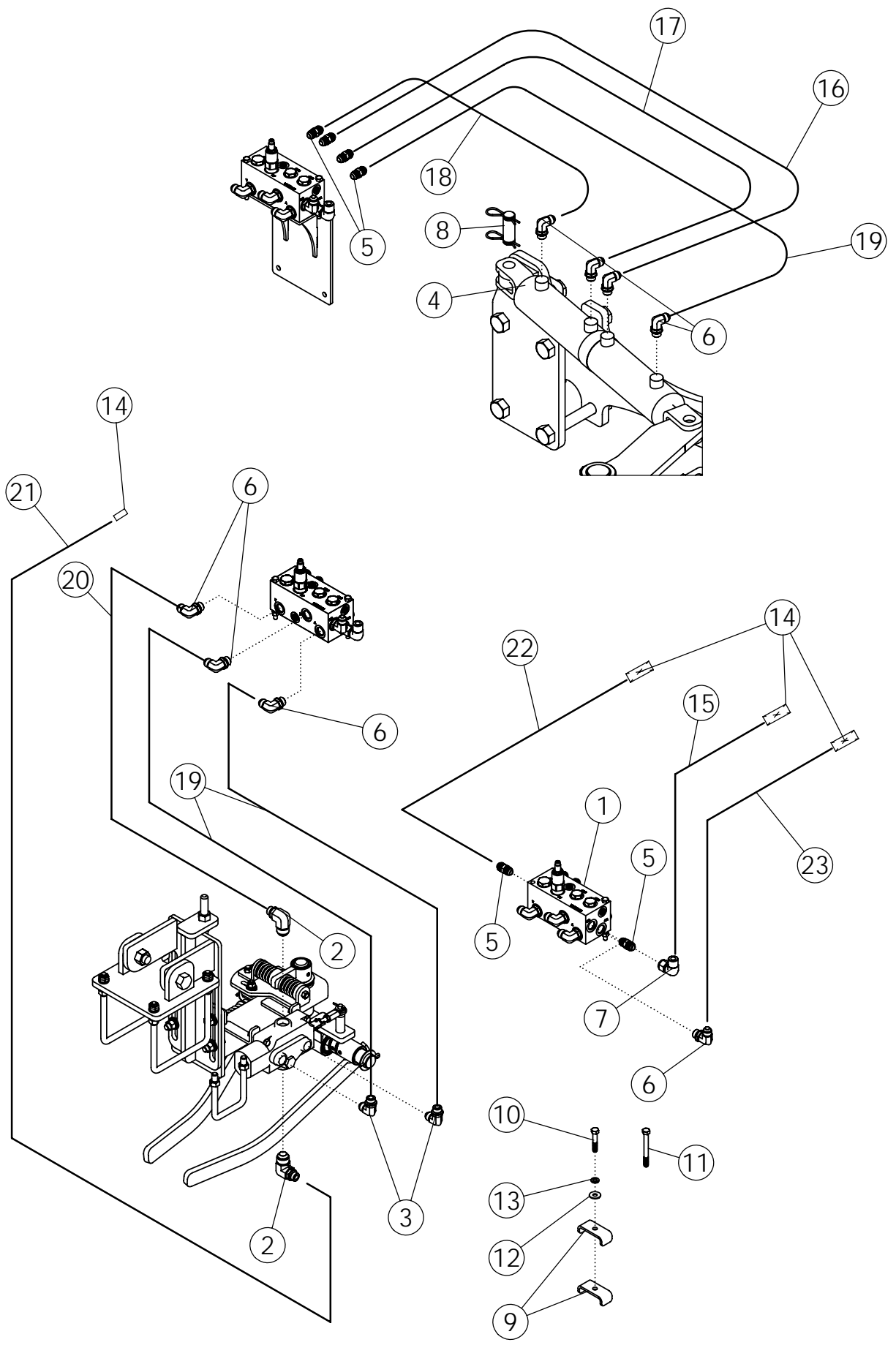
SELF-CENTERING ROW FINDER - 8 ROW

ITEM	PART NO.	DESCRIPTION	QTY
1	69972	WLDMT-DEF ROW FINDER MOUNT	1
2	69560	PLATE-DEF CYL MNT STRAP	1
3	69996	WLDMT-DEF VALVE MNT	1
4	64288	PLATE-BRACKET BACKING	2
5	69954	U-BOLT: .50 X 4.50 X 3 X 4.50	2
6	1027461	NUT-TOPLOCK: .50 NC GR5 ZP	8 OR 12*
7	64289	BOLT-HEX: .38 X 5.50 NC GR5 ZP	4
8	69557	WLDMT-TIE ROD CLAMP	1
9	1011602	BOLT-HEX: .38 X 1.50 NC GR5 ZP	2
10	1014608	WASHER-FLT: SAE .38 ZP	4
11	1016999	NUT-TOPLOCK: .38 NC GR5 ZP	6
12	**NOTE**	HYDRAULIC ROW FINDER	1
13	1011608	BOLT-HEX: .50 X 1.75 NC GR 5 ZP	4 OR 8*
14	69654*	WLDMT-RF MOUNT EXTENSION	2
15	69999	VALVE-DEF RF RETURN	1
16	1030778	BOLT-HEX: .31 X 4.00 NC GR5 ZP	2
17	1030700	NUT-TOPLOCK: .31 NC GR5 ZP	2
18	50714	CLAMP .50" ZP	10
19	1014608	WASHER-FLAT: SAE .38 XP	5
20	1011586	WASHER-LOCK: .38 ZP	5
21	1013239	BOLT-HEX: .38 X 3.00 NC GR5 ZP	4

* ITEM 14 AND HARDWARE USED ONLY WITH NON AMITY
SCALPER BASKETS

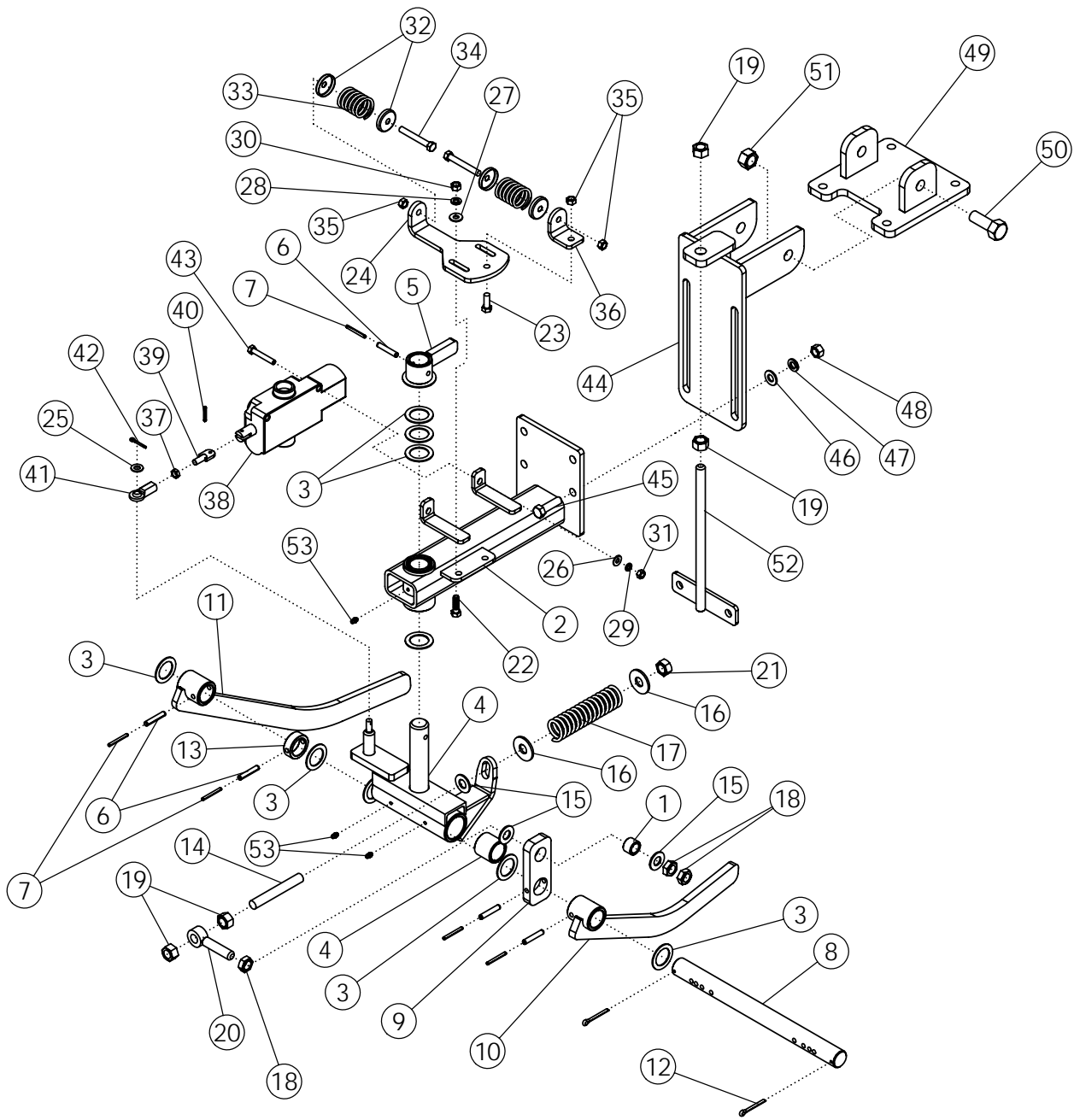
NOTE

- ROWFINDER NEEDS TO BE OPEN CENTER (PLUG REMOVED)
- PLACE ROWFINDER ON THE FIRST ROW LEFT OF CENTER
- FOR PARTS, REFERENCE ROWFINDER MANUAL PAGE



ROW FINDER HYDRAULICS

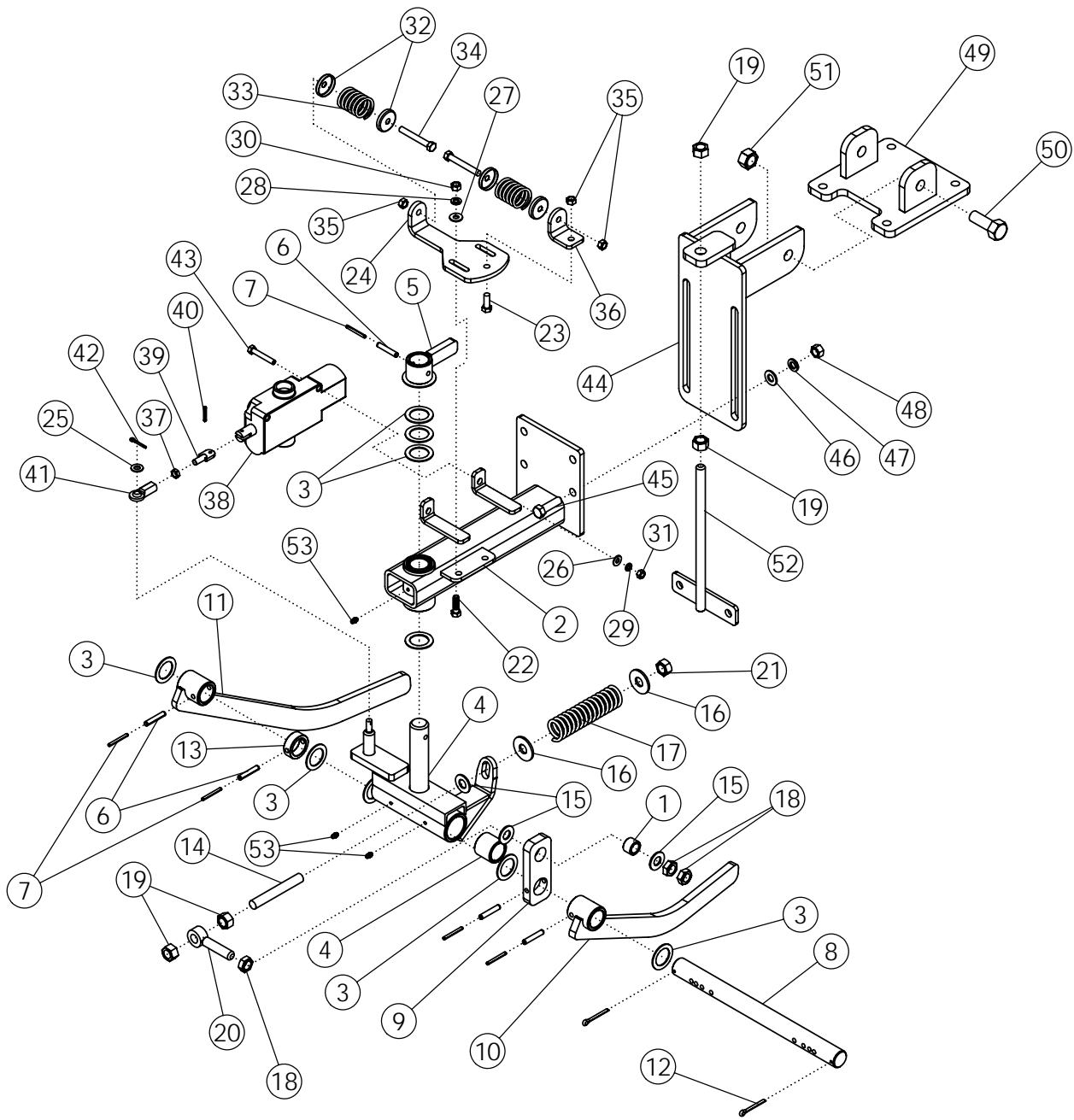
ITEM	PART NO.	DESCRIPTION	QTY
1	69999	VALVE-DEF ROWFINDER RETURN	1
2	57664	FTG-ELBOW: 12MP-8MJ 90	2
3	1031847	FTG-ELBOW: 8MP-8MJ 90	2
4	69200	CYLINDER-HYD 3 X 4 4PORT 23.5 CLOSED	1
5	56226	FTG-ADAPTER: 8MB-8MJ	6
6	58560	FTG-ELBOW: 8MB-8MJ 90	8
7	1015801	FTG-ELBOW: 8MB-8FJX 90	1
8	69167	PIN-CLYNDER W/CLIPS 1.00 X 2.25	2
9	50714	CLAMP .50" ZP	10
10	1011603	BOLT-HEX: .38 X 1.75 NC GR5 ZP	1
11	1013239	BOLT-HEX: .38 X 3.00 NC GR5 ZP	4
12	1014608	WASHER-FLAT: SAE .38 ZP	5
13	1011586	WASHER-LOCK: .38 ZP	5
14	66199	PIONEER TIP 8010-15 (#8 ORB)	4
15	69572	HOSE: .50 X 258 8MB-8FJX90L	1
16	69564	HOSE: .50 X 108 8FJX-8FJX90	1
17	69565	HOSE: .50 X 108 8FJX-8FJX90L	1
18	69566	HOSE: .50 X 114 8FJX-8FJX90L	1
19	69567	HOSE: .50 X 102 8FJX-8FJX90	3
20	69568	HOSE: .50 X 090 8FJX-8FJX	1
21	69569	HOSE: .50 X 336 8MB-8FJX90	1
22	69570	HOSE: .50 X 252 8FJX-8MB	1
23	69571	HOSE: .50 X 258 8MB-8FJX90	1



HYDRAULIC ROW FINDER

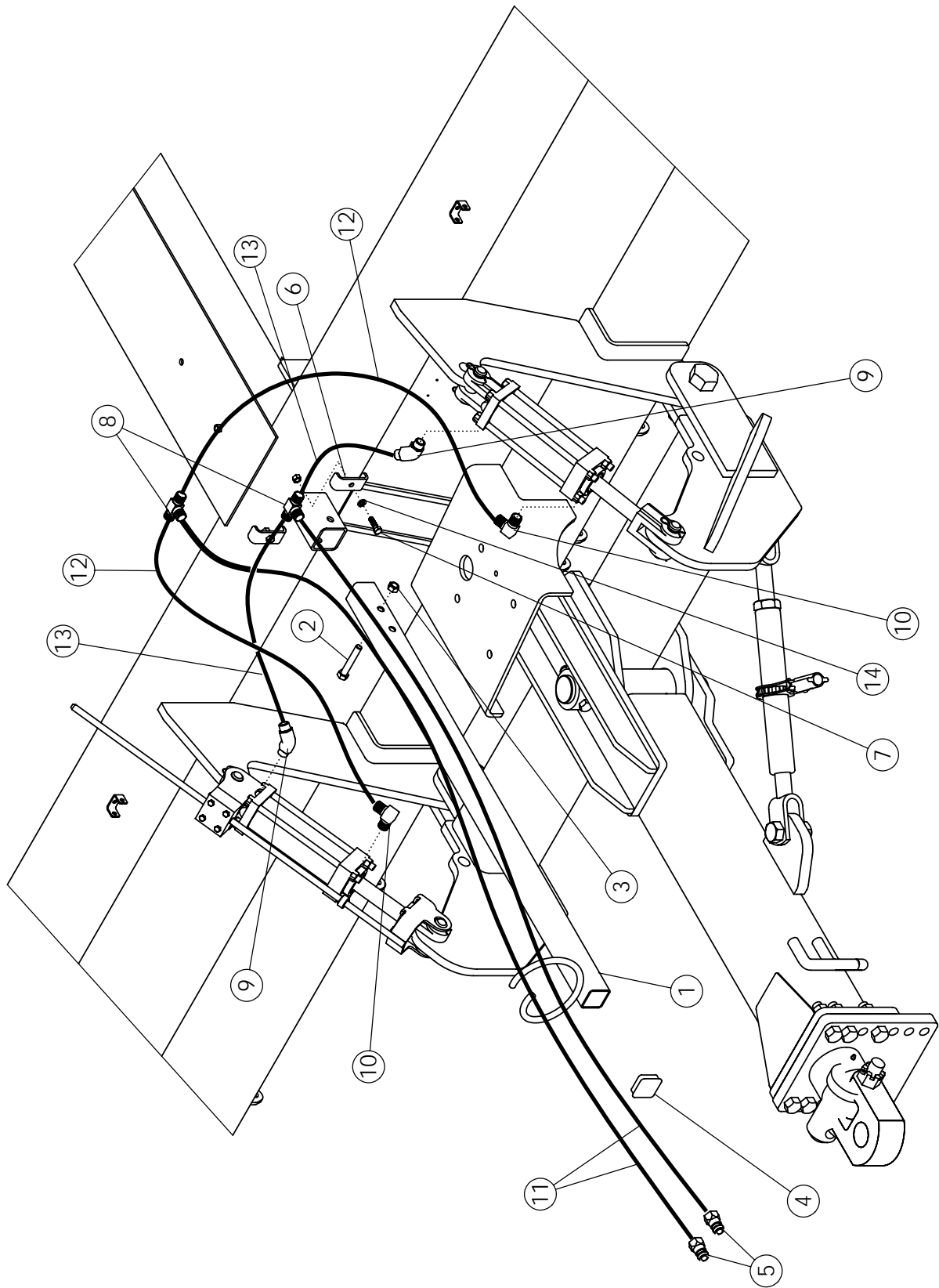
ITEM	PART NO.	DESCRIPTION	QTY
1	52567	BUSHING-ZP	1
2	62520	ASSY-MAIN FRAME	1
3	55206	BUSHING-MACH: 1.25 NR 14GA	9
4	51139	ASSY - SWIVEL	1
5	51130	WLDMT-FLIPPER	1
6	1030793	PIN-ROLL: .31 X 1.75 ZP	5
7	1030798	PIN-ROLL: .31 X 1.75 ZP	5
8	51690	SHAFT ZP	1
9	52566	TENSIONER ARM	1
10	51131	SENSOR ARM-L.H.	1
11	52564	SENSOR ARM-R.H.	1
12	1030797	PIN-COTTER: .19 X 1.75 NP	2
13	51137	COLLAR	1
14	52565	ADJUSTMENT BOLT	1
15	1013004	WASHER-FLAT: SAE .63 ZP	3
16	1013024	WASHER-FLAT: .63 ZP	2
17	51692	SPRING: .21 X 1.44 OD X 6.00 15 COILS	1
18	1026259	NUT-JAM: .63 NC GR2 ZP	3
19	1011578	NUT-HEX: .63 NC GR2 ZP	4
20	51691	EYEBOLT: .63 X 3.25 ZP	1
21	1016595	NUT-TOPLOCK: .63 NC GR5 ZP	1
22	1011601	BOLT-HEX: .38 X 1.25 NC GR5 ZP	2
23	1011600	BOLT-HEX: .38 X 1.00 NC GR5 ZP	1
24	51129	PLATE	1
25	1014608	WASHER-FLT: SAE .38 ZP	1
26	1020416	WASHER-FLAT: .25 ZP	2
27	1011583	WASHER-FLAT: .31 ZP	2
28	1011586	WASHER-LOCK: .38 ZP	2
29	1029115	WASHER-LOCK: .31 ZP	2
30	1011576	NUT-HEX: .38 NC GR2 ZP	2
31	1011575	NUT-HEX: .31 NC GR2 ZP	2
32	52582	SPRING CAP	4
33	51689	SPRING	2
34	1019828	BOLT-HEX: .38 X 2.75 NC GR5 ZP	2
35	1016999	NUT-TOPLOCK: .38 NC GR5 ZP	3
36	51128	SPRING PLATE	1
37	1030792	NUT-JAM: .38 NF GR2 ZP	1
38	62350	VALVE-ROWFINDER O/C	1
39	62540	PLATE STUD ZP	1
40	64157	PIN-ROLL: .19 X 1.125 ZP	1

CONTINUED



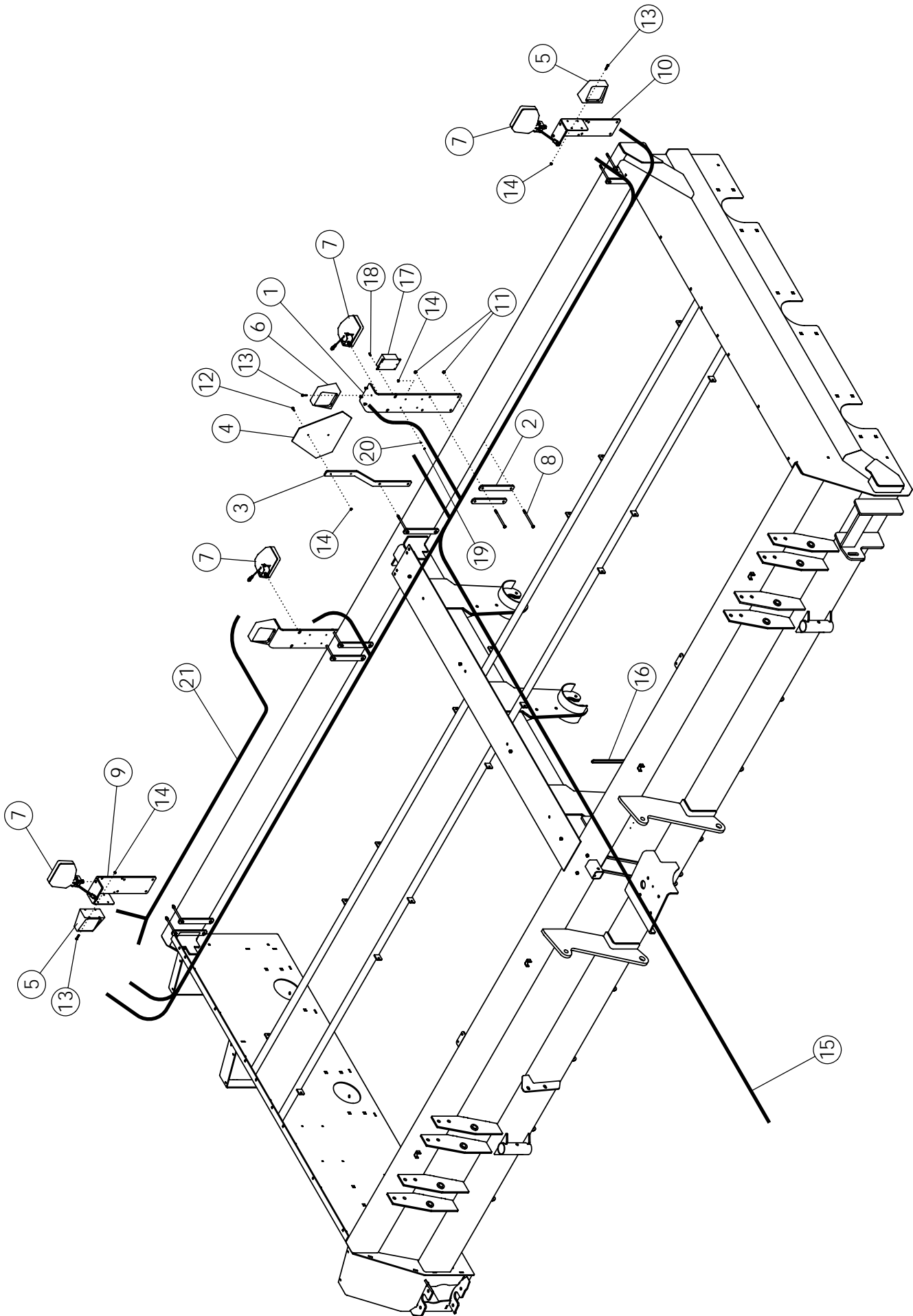
HYDRAULIC ROW FINDER (CONTINUED)

ITEM	PART NO.	DESCRIPTION	QTY
41	51136	UNIBALL COUPLING	1
42	64570	PIN-COTTER: .13 X 1.00 ZP	1
43	1011285	BOLT-HEX: .31 X 2.00 NC	2
44	52181	MOUNTING BRACKET	1
45	1011608	BOLT-HEX: .50 X 1.75 NC GR5 ZP	4
46	1011584	WASHER-FLAT: SAE .50 ZP	4
47	1011581	WASHER-LOCK: .50 ZP	8
48	1011577	NUT-HEX: .50 NC GR2 ZP	8
49	62871	WLDMT-BRACKET	1
50	1012060	BOLT-HEX: .75 X 2.00 NC GR5 ZP	2
51	1013537	NUT-TOPLOCK: .75 NC GR5 ZP	2
52	62882	TIGHTENER BOLT-ZP	1
53	1011748	ZERK - GREASE	3



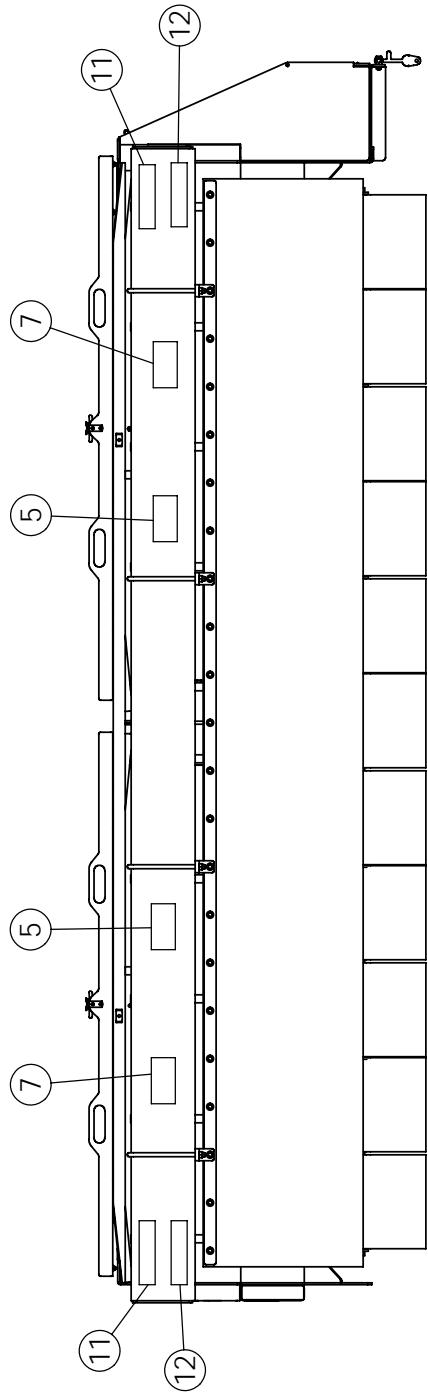
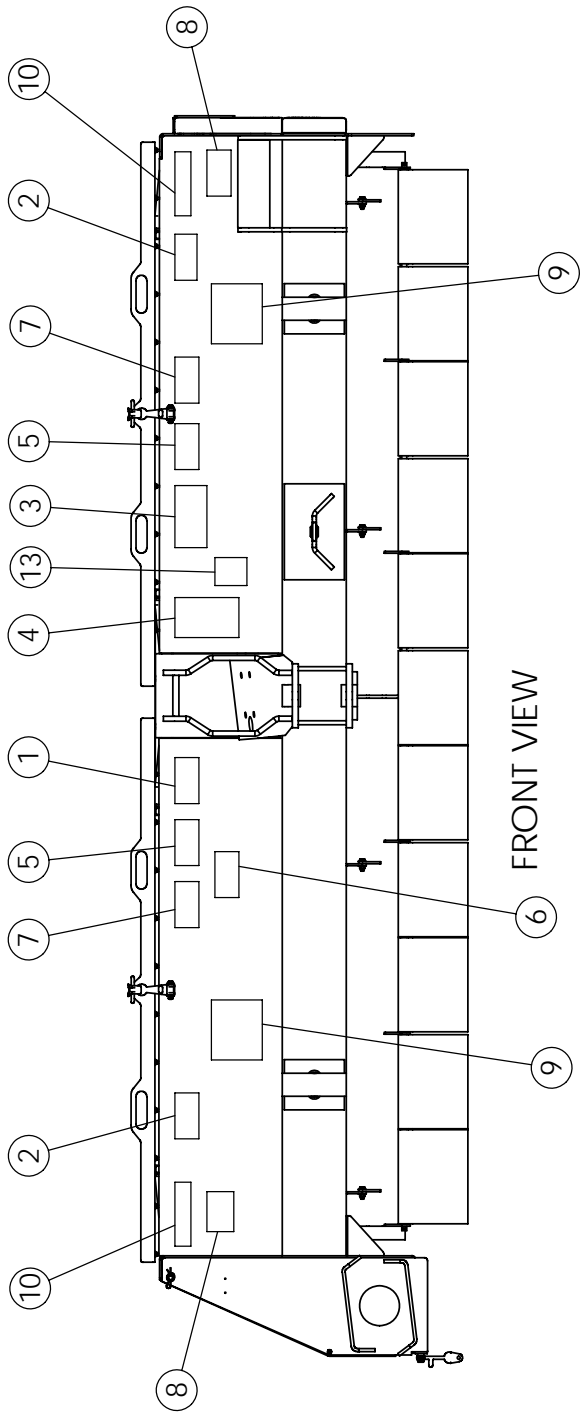
HITCH HYDRAULICS

ITEM	PART NO.	DESCRIPTION	QTY
1	54800	WLDMT-HOSE SUPPORT	1
2	1011611	BOLT-HEX: .50 X 3.00 NC GR5 ZP	1
3	1027461	NUT-TOPLOCK: .50 NC GR5 ZP	1
4	63869	CAPLUG-2" SQ	1
5	53631	PIONEER TIP 8010-4	2
6	50714	CLAMP .50 ZP	2
7	1011601	BOLT-HEX: .38 X 1.25 NC GR5 ZP	2
8	57667	FTG-TEE: 8MJ-8MJ-8MJ	2
9	58515	FTG-ELBOW: 8MB-8MJ-45	2
10	58560	FTG-ELBOW: 8MB-8MJ-90	2
11	58376	HOSE: .50 X 108 8MP-8FJX	2
12	57000	HOSE .50 X 34 8FJX-8FJX	2
13	44174	HOSE: .50 X 24 8FJX-8FJX	2
14	1011586	WASHER-LOCK: .38 ZP	2



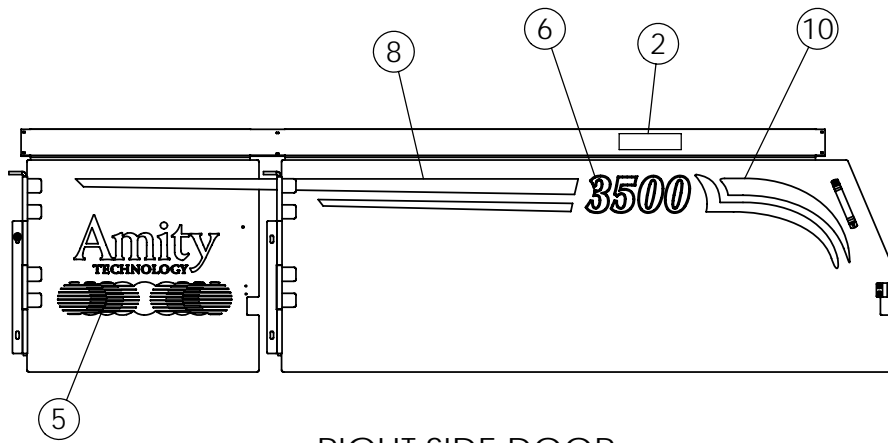
LIGHT KIT

ITEM	PART NO.	DESCRIPTION	QTY
1	64287	PLATE-LIGHT BRACKET	2
2	64288	PLATE-BRACKET BACKING	9
3	64246	MOUNT-SMV SIGN	1
4	65329	SIGN-SMV ASAE	1
5	65954	LAMP-AMBER TAIL	2
6	65953	LAMP-RED TAIL	2
7	62900	LIGHT-FLOOD	4
8	64289	BOLT-HEX: .38 X 5.50 NC GR5 ZP	18
9	68573	WLDMT-LIGHT BRACKET AMBER/FLOOD RH	1
10	68574	WLDMT-LIGHT BRACKET AMBER/FLOOD LH	1
11	1016999	NUT-TOPLOCK: .38 NC GR5 ZP	18
12	1011595	BOLT-HEX: .25 X .75 NC GR5 ZP	2
13	1013940	BOLT-HEX: .25 X 1.25 NC GR5	16
14	1030946	NUT-TOPLOCK: .25 NC GR5 ZP	18
15	63872	HARNESS-DEFOLIATOR 12R	1
16	1013122	TIE-CABLE, NYLON 14.00"	12
17	65341	MODULE-INTERFACE	1
18	0100615	BOLT-HEX: .19 X .75 NC GR5 ZP	4
19	1011588	NUT-JAM: .19 NC GR2 ZP	4
20	65681	WASHER-LOCK: .19 ZP	4
21	68718	HARNESS-"Y" EXTENSION	2

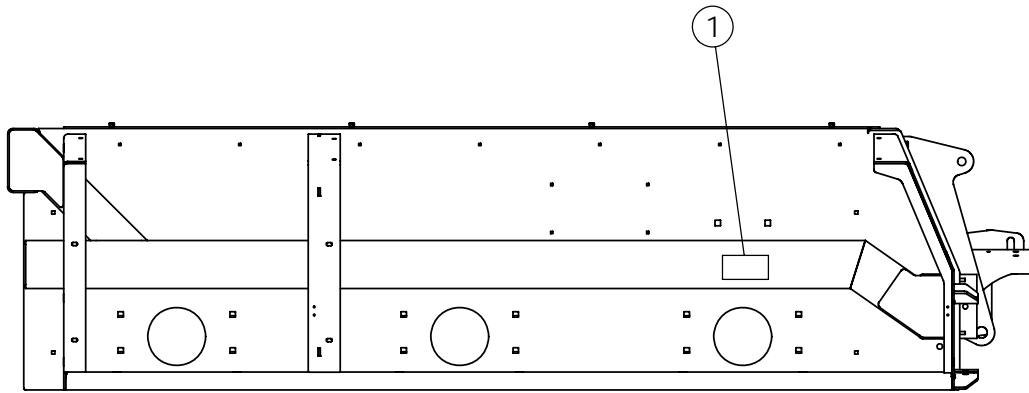


DECALS

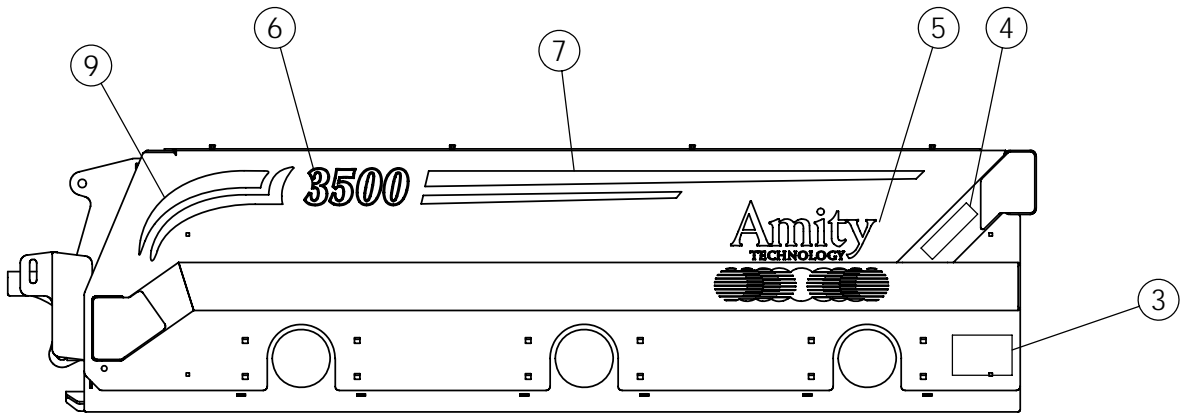
ITEM	PART NO.	DESCRIPTION	QTY
1	52341	DECAL-WARNING SHIELDS	1
2	52334	DECAL-WARNING NO RIDE	2
3	52329	DECAL-DANGER MOVING PARTS	1
4	52339	DECAL-WARNING OPERATION	1
5	52340	DECAL-DANGER	4
6	52338	DECAL DANGER ROTATION	1
7	52336	DECAL-CAUTION	4
8	64617	DECAL-DANGER CRAWL UNDERNEATH	2
9	63465	DECAL-AMITY LOGO SMALL	2
10	65331	DECAL-RETROFLECTIVE-YELLOW	2
11	65330	DECAL-RETROFLECTIVE-RED	2
12	65332	DECAL-RED ORANGE FLUORESCENT	2
13	62964	DECAL-WARNING HIGH PRESSURE FLUIDS	1



RIGHT SIDE DOOR



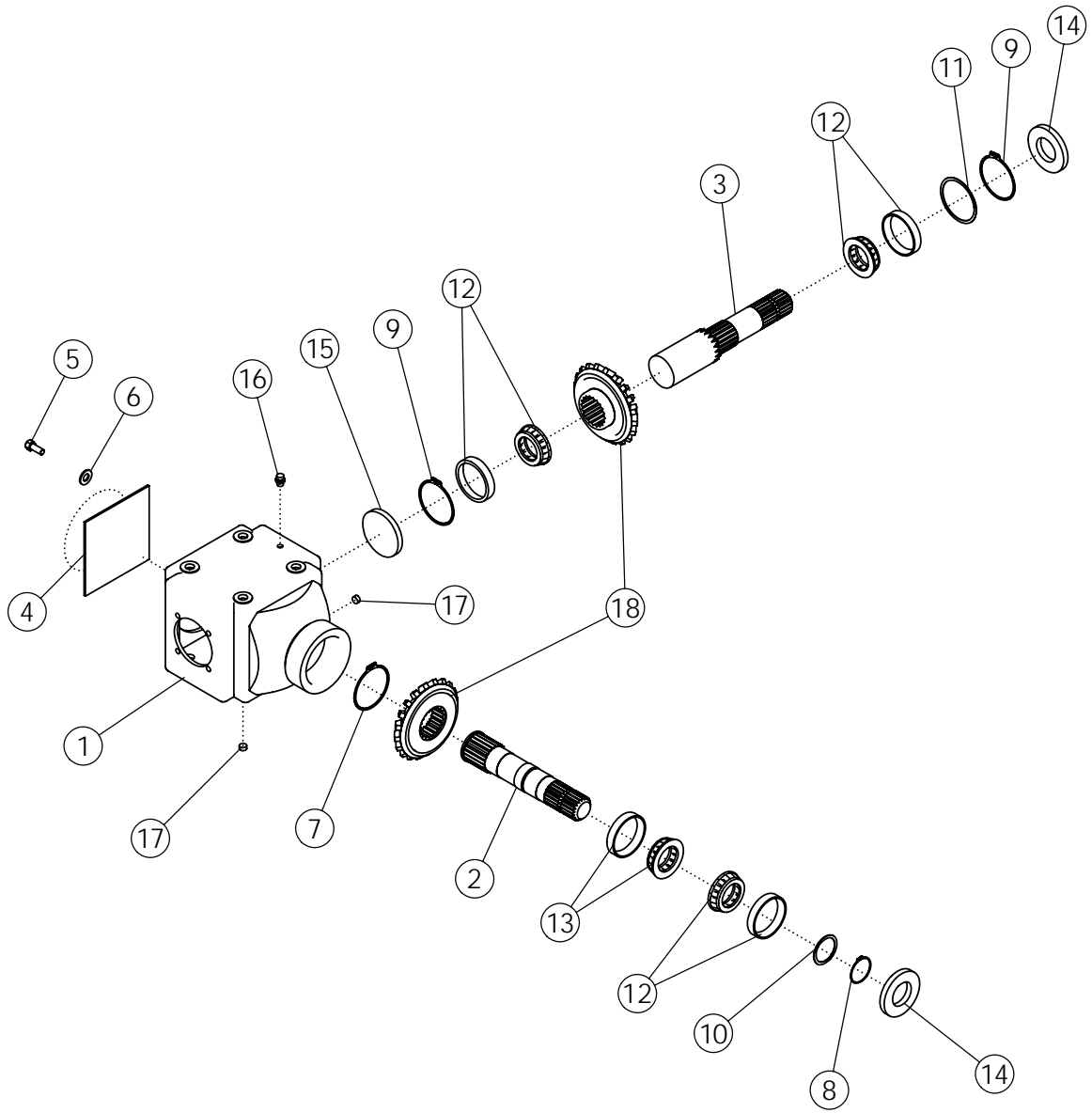
RIGHT SIDE UNDERNEATH DOOR



LEFT SIDE

DECALS

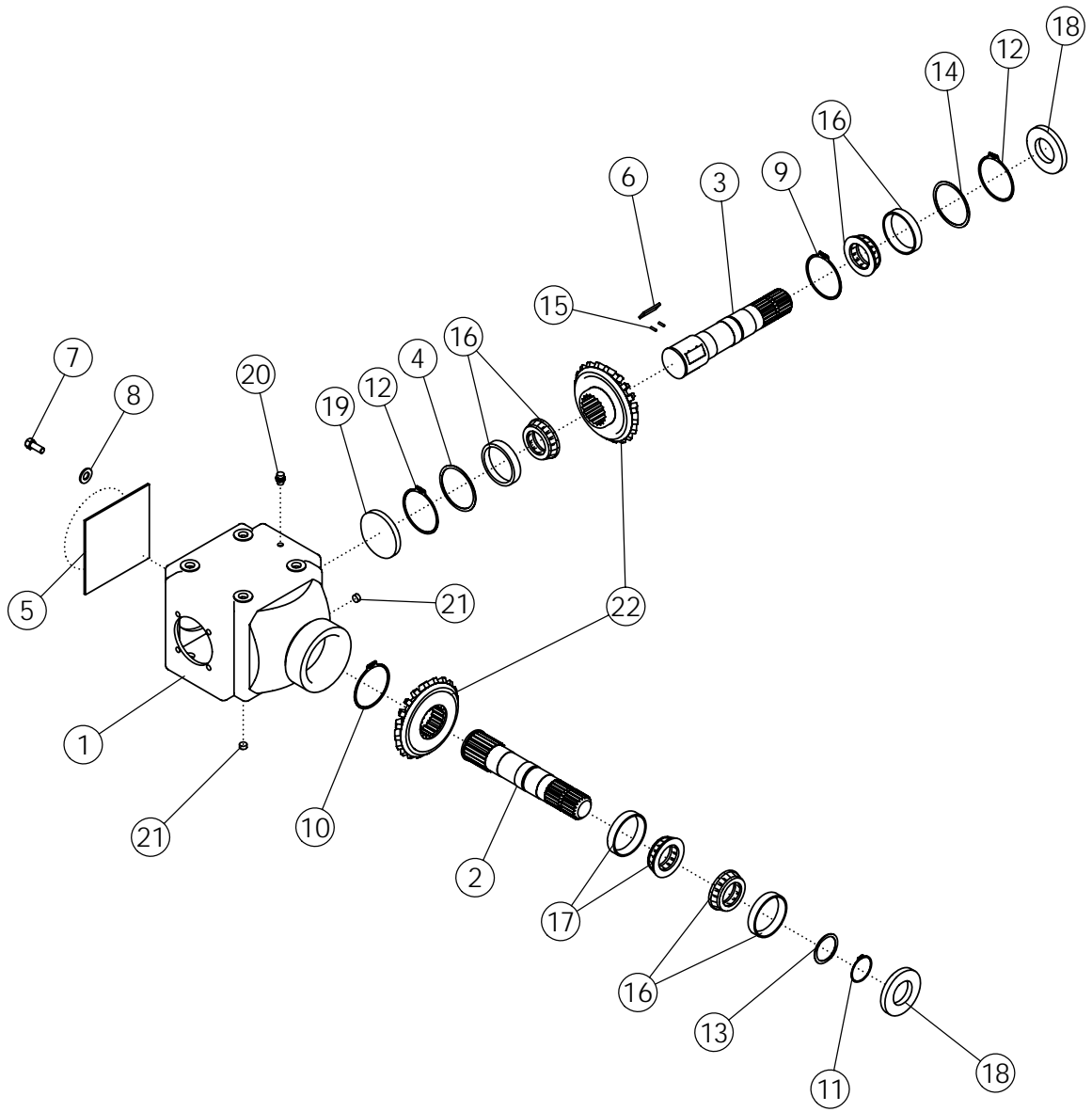
ITEM	PART NO.	DESCRIPTION	QTY
1	52341	DECAL-WARNING SHIELDS	1
2	52329	DECAL-DANGER MOVING PART	1
3	53742	DECAL-WIC LOGO SMALL	2
4	65331	DECAL-YELLOW RETROFLECTIVE	2
5	69399	DECAL-AMITY LOGO 12X24	2
6	69402	DECAL-3500 6X12 (8R22, 6R30)	2
	69403	DECAL-3600 6X12 (9R)	
	69404	DECAL-3700 6X12 (12R22, 8R30)	
7	69406	DECAL-LH STRIPE	1
8	69408	DECAL-RH STRIPE	1
9	69405	DECAL-LH CURVE	1
10	69407	DECAL-RH CURVE	1



GEARBOX L-TYPE

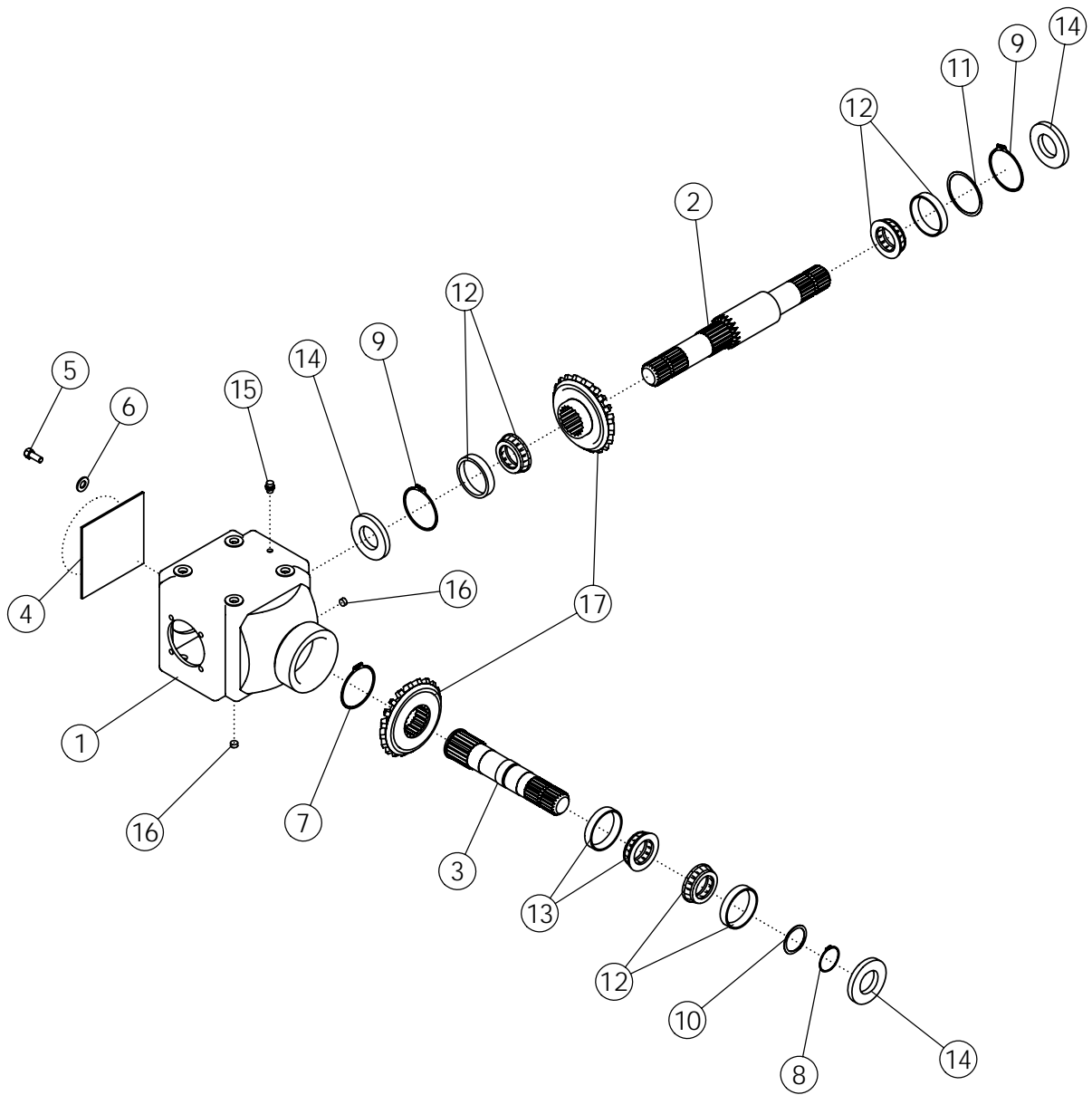
ITEM	PART NO.	DESCRIPTION	QTY
--	68065	GEARBOX-S2125 1.35:1 L	-
1	68181	HOUSING	1
2	68182	SHAFT	1
3	68183	INPUT SHAFT	1
4	68184	SLEEVE	1
5	68185	SCREW-BOLT HEX M10 X 25 CL8.8	8
6	68186	WASHER	8
7	52521	SNAP RING: EXTERNAL	1
8	54209	SNAP RING	1
9	54210	SNAP RING	2
10	54218	SPACER RING -- .012 PER M THICKNESS	AR
	54219	SPACER RING -- .016 PER M THICKNESS	
	54220	SPACER RING -- .024 PER M THICKNESS	
	54221	SPACER RING -- .032 PER M THICKNESS	
	54222	SPACER RING -- .040 PER M THICKNESS	
	64421	KIT-SPACER RING (INCLUDES SPACERS IN ITEM 10)	
11	54223	SPACER RING -- .012 PER M THICKNESS	AR
	54224	SPACER RING -- .016 PER M THICKNESS	
	54225	SPACER RING -- .024 PER M THICKNESS	
	54226	SPACER RING -- .032 PER M THICKNESS	
	59958	SPACER RING -- 1.00 PER M THICKNESS	
	64422	KIT-SPACER RING (INCLUDES SPACERS IN ITEM 11)	
12	54212	BEARING ROLLER	3
13	68187	BEARING ROLLER	1
14	54214	SEALING RING	2
15	54217	CLOSING CAP	1
16	54204	VENT PLUG	1
17	54215	OIL PLUG	5
18	68188	BEVEL GEAR SET*	1

*SET INCLUDES GEAR CROWN & GEAR PINNION



GEARBOX L-TYPE WITH OVERRUN

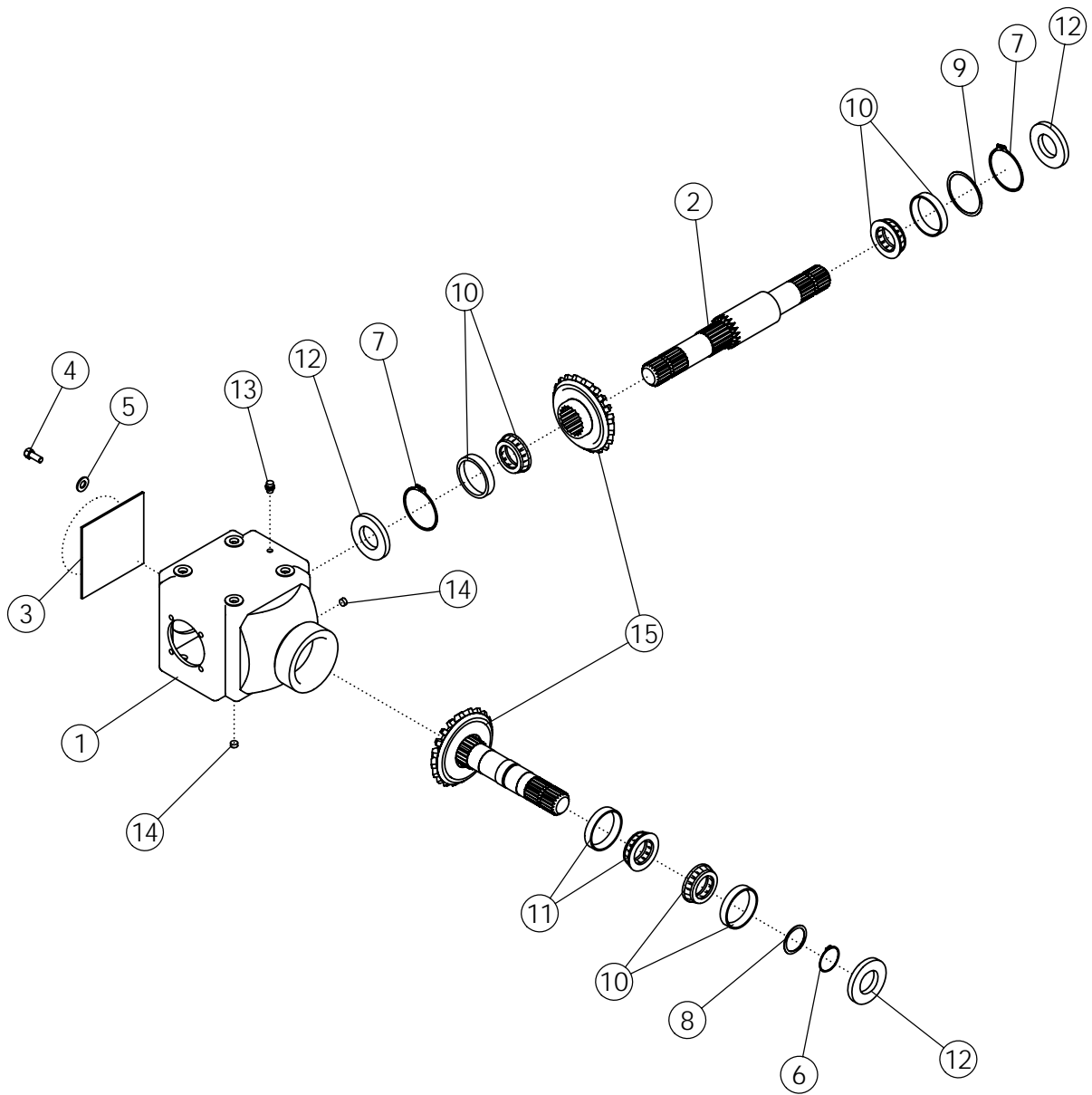
ITEM	PART NO.	DESCRIPTION	QTY
--	68066	GEARBOX-S2125 1.35:1 L W/OVER RUN CLUTCH	-
1	68181	HOUSING	1
2	68182	SHAFT	1
3	68189	SHAFT-OUTPUT	1
4	68190	SLEEVE	1
5	68184	SLEEVE	1
6	68191	PLUG	6
7	68185	SCREW-BOLT HEX M10 X 25 CL8.8	8
8	68186	WASHER	8
9	68196	SNAP RING-EXTERNAL	1
10	52521	SNAP RING: EXTERNAL	1
11	54209	SNAP RING	1
12	54210	SNAP RING	2
13	54218	SPACER RING -- .012 PER M THICKNESS	AR
	54219	SPACER RING -- .016 PER M THICKNESS	
	54220	SPACER RING -- .024 PER M THICKNESS	
	54221	SPACER RING -- .032 PER M THICKNESS	
	54222	SPACER RING -- .040 PER M THICKNESS	
	64421	KIT-SPACER RING (INCLUDES SPACERS IN ITEM 10)	
14	54223	SPACER RING -- .012 PER M THICKNESS	AR
	54224	SPACER RING -- .016 PER M THICKNESS	
	54225	SPACER RING -- .024 PER M THICKNESS	
	54226	SPACER RING -- .032 PER M THICKNESS	
	59958	SPACER RING -- 1.00 PER M THICKNESS	
	64422	KIT-SPACER RING (INCLUDES SPACERS IN ITEM 11)	
15	59960	SPRING-GEARBOX SHAFT	12
16	54212	BEARING ROLLER	3
17	68187	BEARING ROLLER	1
18	54214	SEALING RING	2
19	54217	CLOSING CAP	1
20	54204	VENT PLUG	1
21	54215	OIL PLUG	5
22	68192	BEVEL GEAR SET*	1
		*SET INCLUDES GEAR CROWN & GEAR PINNION	



GEARBOX T-TYPE

ITEM	PART NO.	DESCRIPTION	QTY
--	68067	GEARBOX-S2125 1.35:1 T	-
1	68181	HOUSING	1
2	68193	SHAFT-THRU	1
3	68194	SHAFT	1
4	68184	SLEEVE	1
5	68185	SCREW-BOLT HEX M10 X 25 CL8.8	8
6	68186	WASHER	8
7	52521	SNAP RING: EXTERNAL	1
8	54209	SNAP RING	1
9	54210	SNAP RING	2
10	54218	SPACER RING -- .012 PER M THICKNESS	AR
	54219	SPACER RING -- .016 PER M THICKNESS	
	54220	SPACER RING -- .024 PER M THICKNESS	
	54221	SPACER RING -- .032 PER M THICKNESS	
	54222	SPACER RING -- .040 PER M THICKNESS	
	64421	KIT-SPACER RING (INCLUDES SPACERS IN ITEM 10)	
11	54223	SPACER RING -- .012 PER M THICKNESS	AR
	54224	SPACER RING -- .016 PER M THICKNESS	
	54225	SPACER RING -- .024 PER M THICKNESS	
	54226	SPACER RING -- .032 PER M THICKNESS	
	59958	SPACER RING -- 1.00 PER M THICKNESS	
	64422	KIT-SPACER RING (INCLUDES SPACERS IN ITEM 11)	
12	54212	BEARING ROLLER	3
13	68187	BEARING ROLLER	1
14	54214	SEALING RING	2
15	54204	VENT PLUG	1
16	54215	OIL PLUG	5
17	68188	BEVEL GEAR SET*	1

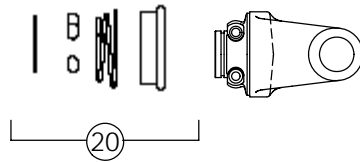
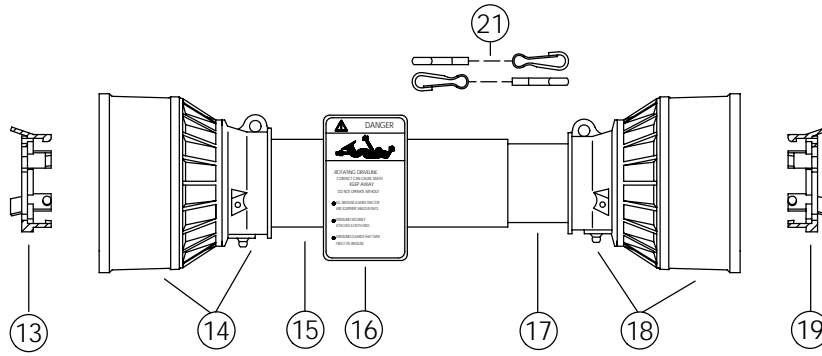
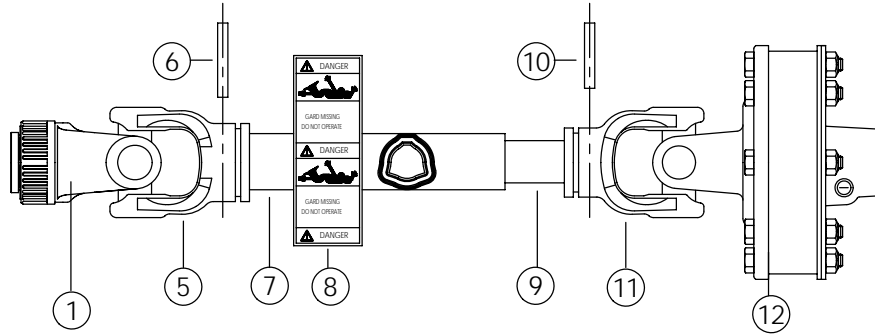
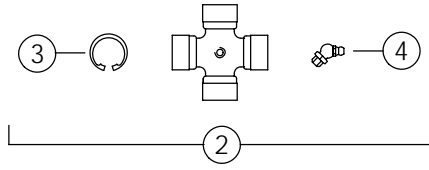
*SET INCLUDES GEAR CROWN & GEAR PINNION



GEARBOX T-TYPE

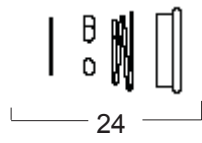
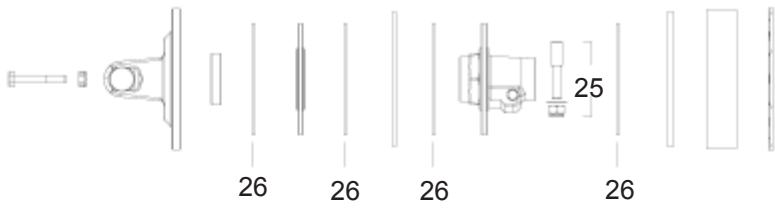
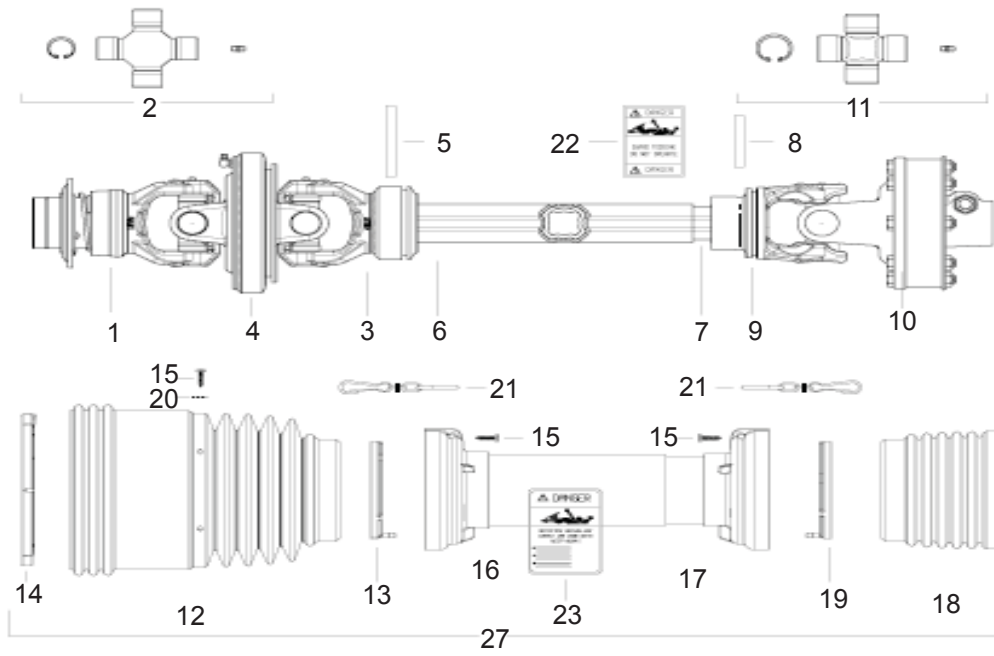
ITEM	PART NO.	DESCRIPTION	QTY
--	68068	GEARBOX-S2125 1:1.93 T	-
1	68181	HOUSING	1
2	68193	SHAFT-THRU	1
3	68184	SLEEVE	1
4	68185	SCREW-BOLT HEX M10 X25 CL8.8	8
5	68186	WASHER	8
6	54209	SNAP RING	1
7	54210	SNAP RING	2
8	54218	SPACER RING -- .012 PER M THICKNESS	AR
	54219	SPACER RING -- .016 PER M THICKNESS	
	54220	SPACER RING -- .024 PER M THICKNESS	
	54221	SPACER RING -- .032 PER M THICKNESS	
	54222	SPACER RING -- .040 PER M THICKNESS	
	64421	KIT-SPACER RING (INCLUDES SPACERS IN ITEM 10)	
9	54223	SPACER RING -- .012 PER M THICKNESS	AR
	54224	SPACER RING -- .016 PER M THICKNESS	
	54225	SPACER RING -- .024 PER M THICKNESS	
	54226	SPACER RING -- .032 PER M THICKNESS	
	59958	SPACER RING -- 1.00 PER M THICKNESS	
	64422	KIT-SPACER RING (INCLUDES SPACERS IN ITEM 11)	
10	54212	BEARING ROLLER	3
11	68187	BEARING ROLLER	1
12	54214	SEALING RING	2
13	54204	VENT PLUG	1
14	54215	OIL PLUG	5
15	68195	BEVEL GEAR SET*	1

*SET INCLUDES GEAR CROWN & GEAR PINNION



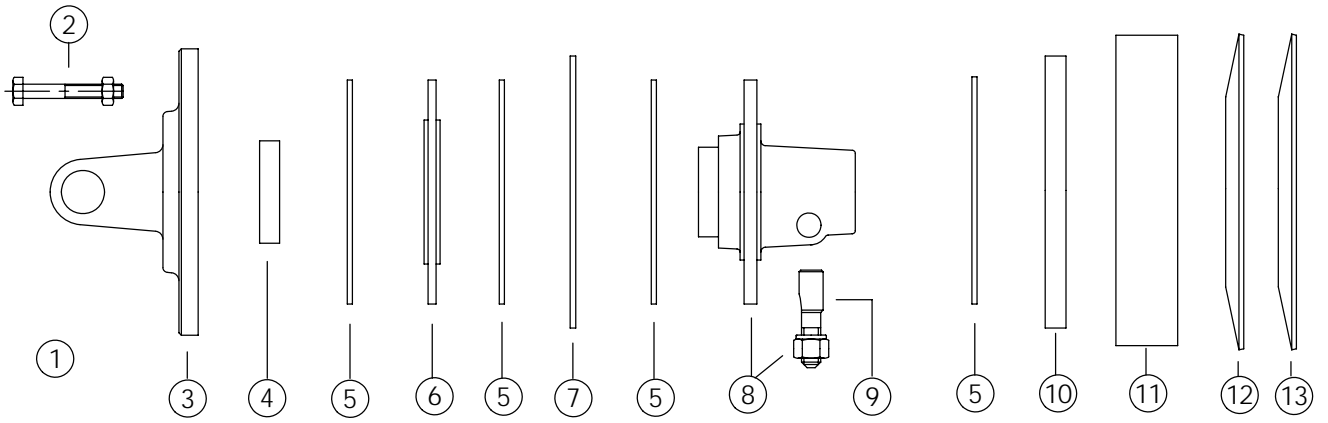
**PTO - STANDARD 1 3/8-21 #52402
& 1 3/4-20 #52400**

ITEM	PART NO.	DESCRIPTION	QTY
1	54198	YOKE 1 3/8-21 SPLINE	1
	54249	YOKE 1 3/4-20 SPLINE	-
2	54235	CROSS KIT	2
3	55361	CIRCLIP	8
4	54236	GREASE NIPPLE	2
5	54242	YOKE-OUTER TUBE	1
6	55364	FLEXIBLE PIN	1
7	55318	CM CARDAN TUBE OUTER	1
8	63293	DECAL-DRIVELINE	1
9	55319	CM CARDAN TUBE INNER	1
10	55367	FLEXIBLE PIN	1
11	54234	INNER TUBE YOKE	1
12	63299	CLUTCH TORQUE LIMITER	1
13	54238	BRG RING-OUTER SHIELD	1
14	55374	SHIELD CONE-OUTER	1
15	54200	OUTER SHIELD	1
16	63294	DECAL-DRIVELINE	1
17	54201	INNER SHIELD	1
18	55320	CONE SET-INNER SHIELD	1
19	54240	BRG RING-INNER SHIELD	1
20	64419	BALL COLLAR KIT (1 3/8-21)	1
	64633	BALL COLLAR KIT (1 3/4-20)	
21	63582	CHAIN	2



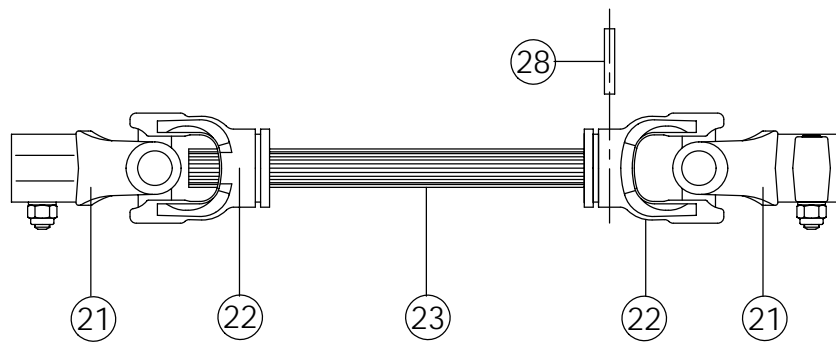
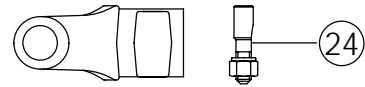
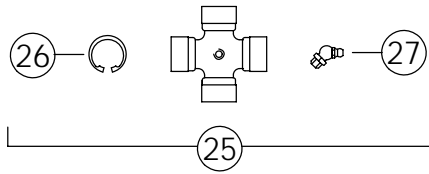
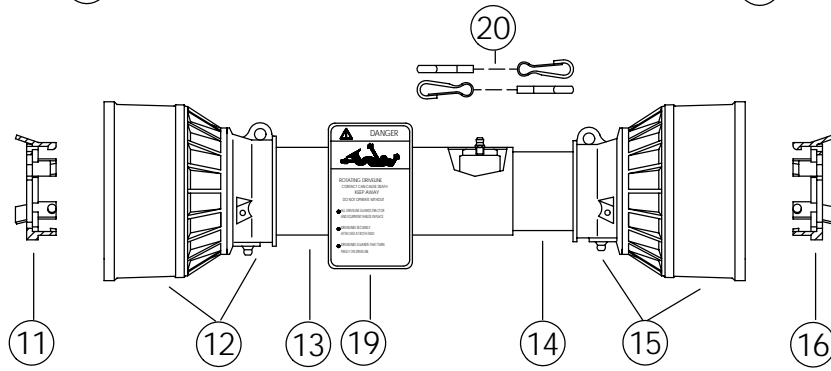
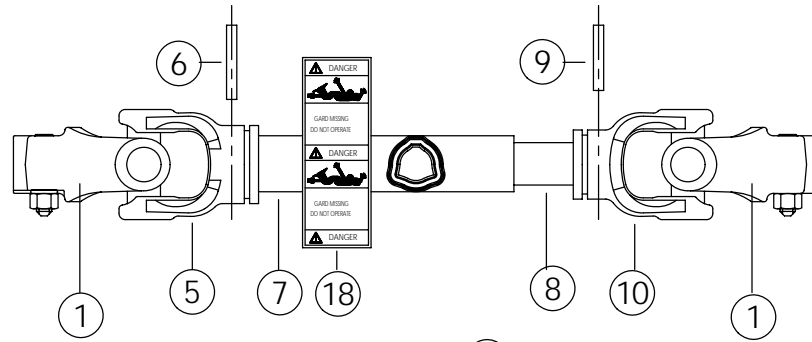
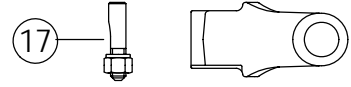
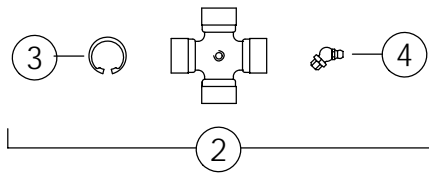
**PTO CV 1-3/8-21 #68395
& 1-3/4-20 #68396**

ITEM	PART NO.	DESCRIPTION	QTY
1	68758	YOKE-CV 1.375	1
	68734	YOKE-CV 1.750	
2	68735	CROSS-KIT	1
3	68736	YOKE-CV OUTER EXT TUBE	1
4	68737	CENTRAL BODY-CV JOINT	1
5	68738	PIN-ROLL	1
6	68739	TUBE-OUTER	1
7	68740	TUBE-INNER	1
8	68741	PIN-ROLL	1
9	68742	YOKE-CV INNER TUBE	1
10	68743	CLUTCH-TORQUE LIMITER	1
11	68744	CROSS-KIT	1
12	68745	CONE-SHIELD OUTER	1
13	68746	BEARING-SHIELD OUTER	1
14	68747	BEARING-SHIELD CONE	1
15	68748	CREW-SELF TAPPING	12
16	68749	SHIELD-SAFETY TUBE OUTER	1
17	68750	SHIELD-SAFETY TUBE INNER	1
18	68751	CONE-SHIELD INNER	1
19	68752	BEARING-SHIELD INNER	1
20	68753	WASHER	6
21	68754	CHAIN-COMPLETE	2
22	63293	DECAL-DRIVELINE	1
23	63294	DECAL-DRIVELINE	1
24	68759	KIT-BALL COLLAR 1.375	1
	68755	KIT-BALL COLLAR 1.750	
25	68756	PIN W/NUT & WASHER	1
26	54248	LINING	4
27	68760	KIT-SHIELD COMPLETE W/CHAINS	1



CLUTCH TORQUE LIMITER #63299

ITEM	PART NO.	DESCRIPTION	QTY
1	54198	YOKE (COMPLETE)	1
2	63300	SCREW	8
3	63301	YOKE-FLANGE	1
4	63295	BUSHING	1
5	54248	LINING	4
6	55415	PLATE-LINING	1
7	63302	PLATE-INNER	1
8	63303	HUB	1
9	63304	KIT-TAPER PIN	1
10	63305	PLATE-THRUST	1
11	63297	SPACER	1
12	63306	SPRING	1
13	63307	SPRING	1

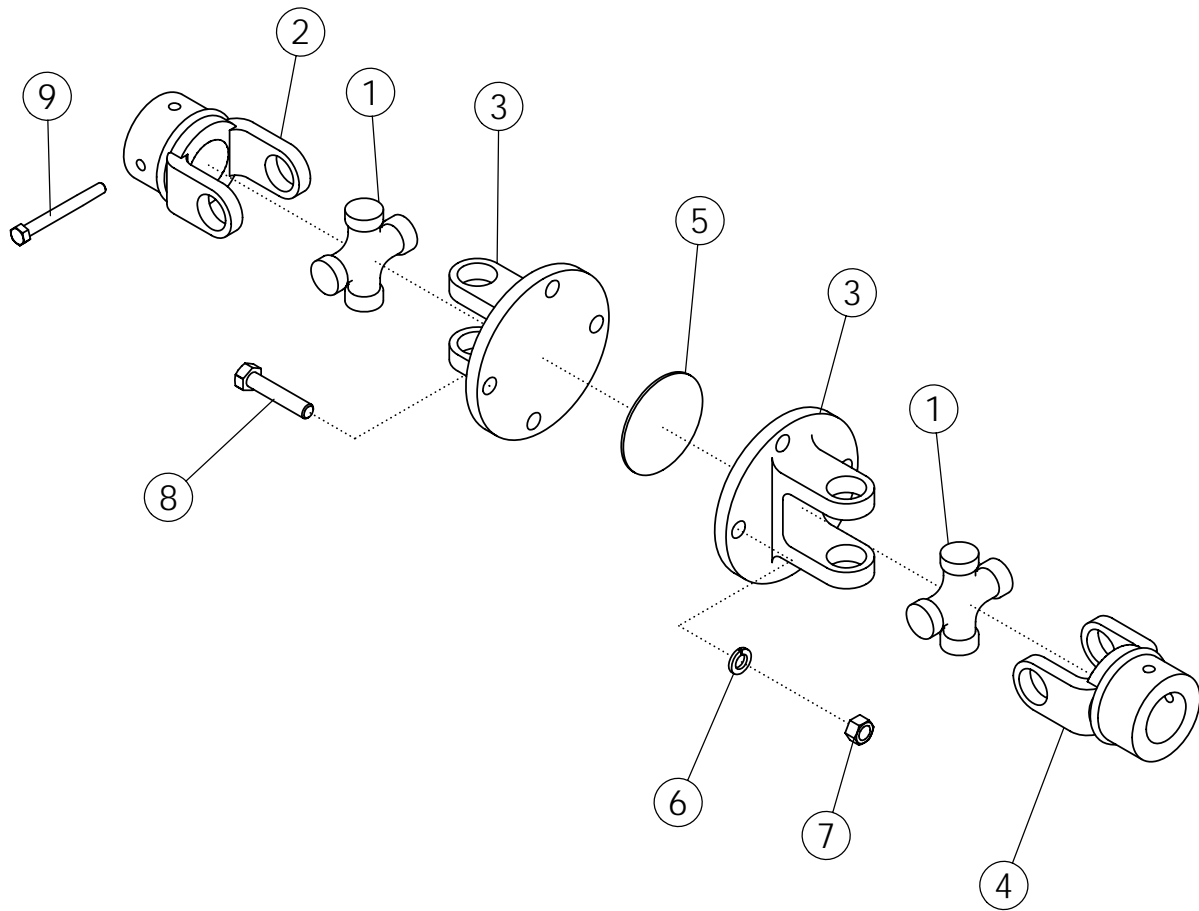


FRONT DRIVELINE #52399 & #68604

ITEM	PART NO.	DESCRIPTION	QTY	
			52399	68604
1	54241	TRACTOR YOKE	2	2
2	54235	CROSS KIT	2	2
3	55361	SNAP RING	8	8
4	54236	GREASE ZERK	2	2
5	54242	OUTER TUBE YOKE	1	1
6	55364	ROLL PIN	1	1
7	63595	OUTER DRIVE TUBE	1	-
	63602	OUTER DRIVE TUBE	-	1
8	63596	INNER DRIVE TUBE	1	-
	63603	INNER DRIVE TUBE	-	1
9	55367	ROLL PIN	1	1
10	54234	INNER TUBE YOKE	1	1
11	54238	BEARING RING - OUTER SHIELD	1	1
12	55374	OUTER SHIELD CONE	1	1
13	63597	OUTER SHIELD TUBE	1	-
	63604	OUTER SHIELD TUBE	-	1
14	63598	INNER SHIELD TUBE	1	-
	63605	INNER SHIELD TUBE	-	1
15	55320	INNER SHIELD CONE	1	1
16	54240	BEARING RING - INNER SHIELD	1	1
17	63594	TAPER PIN KIT	2	2
18	63293	DECAL-DRIVELINE	1	1
19	63294	DECAL-DRIVELINE	1	1
20	63582	CHAIN	2	2

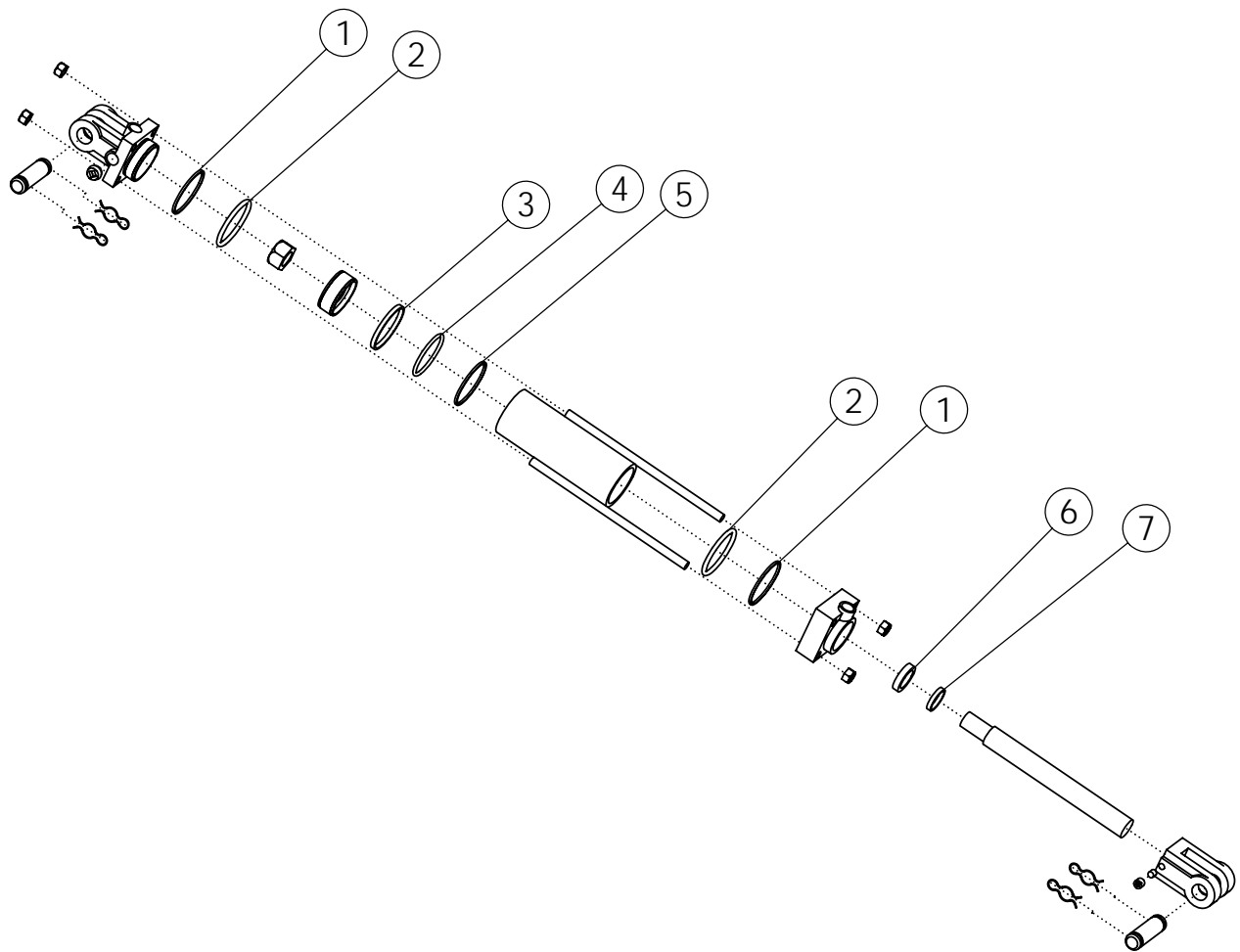
SIDE DRIVELINE #52397

ITEM	PART NO.	DESCRIPTION	QTY	
			52399	68604
21	54241	TRACTOR YOKE		2
22	54244	YOKE		2
23	63593	SHAFT-SPLINED		1
24	63594	TAPER PIN KIT		2
25	54235	CROSS KIT		2
26	55361	SNAP RING		8
27	54236	GREASE ZERK		2
28	63472	PIN-ROLL		1



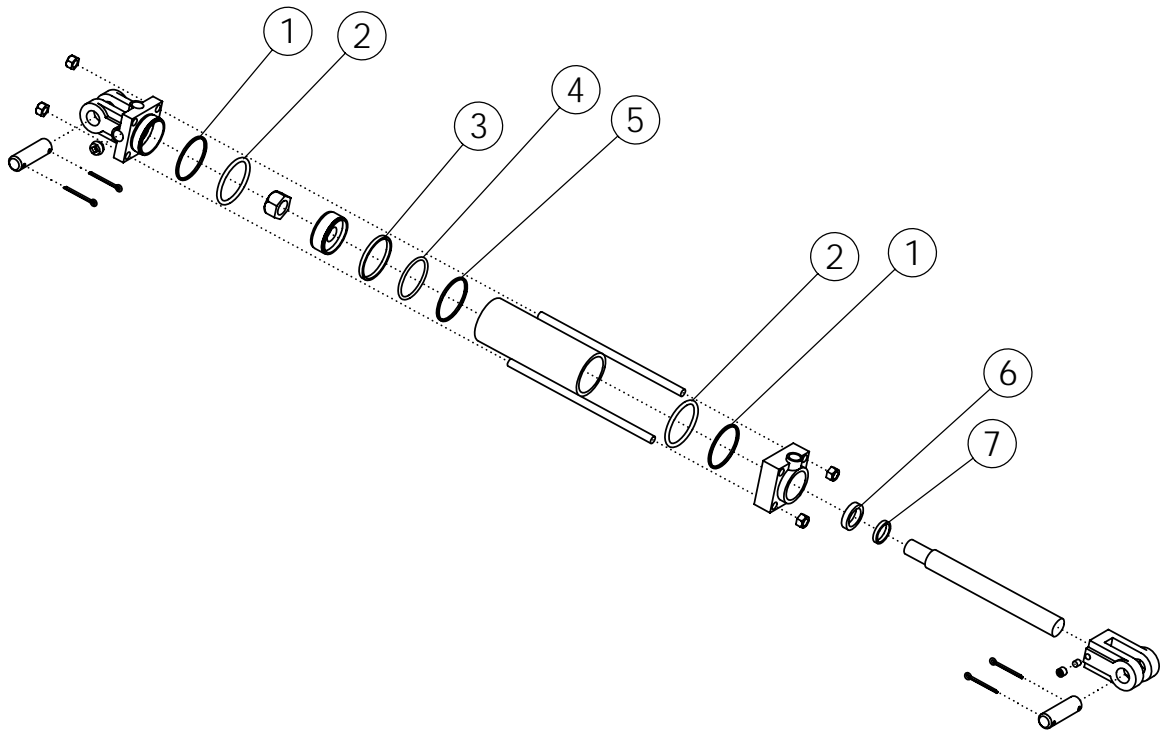
COUPLER-UNIVERSAL JOINT #68443

ITEM	PART NO.	DESCRIPTION	QTY
1	54235	CROSS KIT	2
2	68731	YOKE-COUPLER TAPER PIN 1.750	1
3	68780	FLANGE-YOKE COUPLER	2
4	68732	YOKE COUPLER 1.750	1
5	68781	PLATE-LINER COUPLER	1
6	68591	WASHER-LOCK: M14	4
7	68444	NUT-HEX: M14	4
8	69019	BOLT-HEX: M14 X 2.0 X L50 CL8.8 ZP	4
9	68782	KIT-TAPER PIN 1.750	1



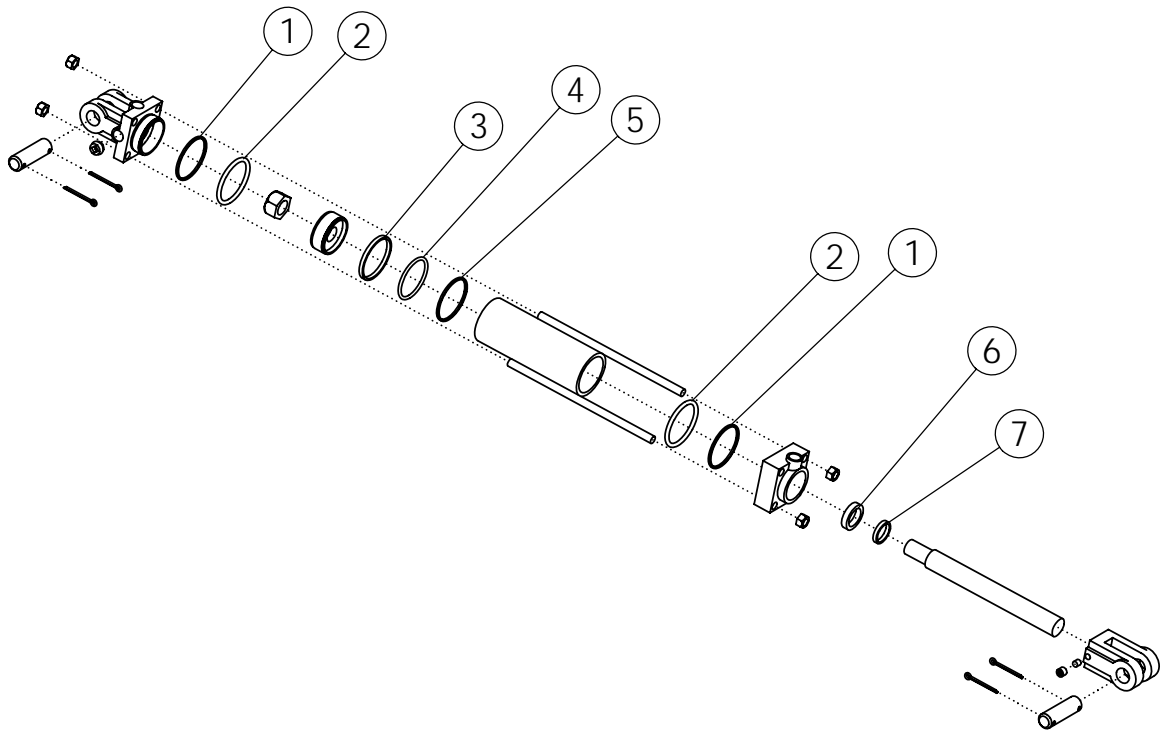
HYDRAULIC CYLINDER: 2X6 #58888

ITEM	PART NO.	DESCRIPTION	QTY
	59241	SEAL KIT - CYLINDER 2"; 3000 PSI	
1		BACKUP WASHER - END CAP	2
2		O-RING - END CAP	2
3		WEAR RING - PISTON	1
4		O-RING	1
5		PISTON SEAL	1
6		SEAL-ROD WIRE	1
7		SEAL-ROD DUST	1



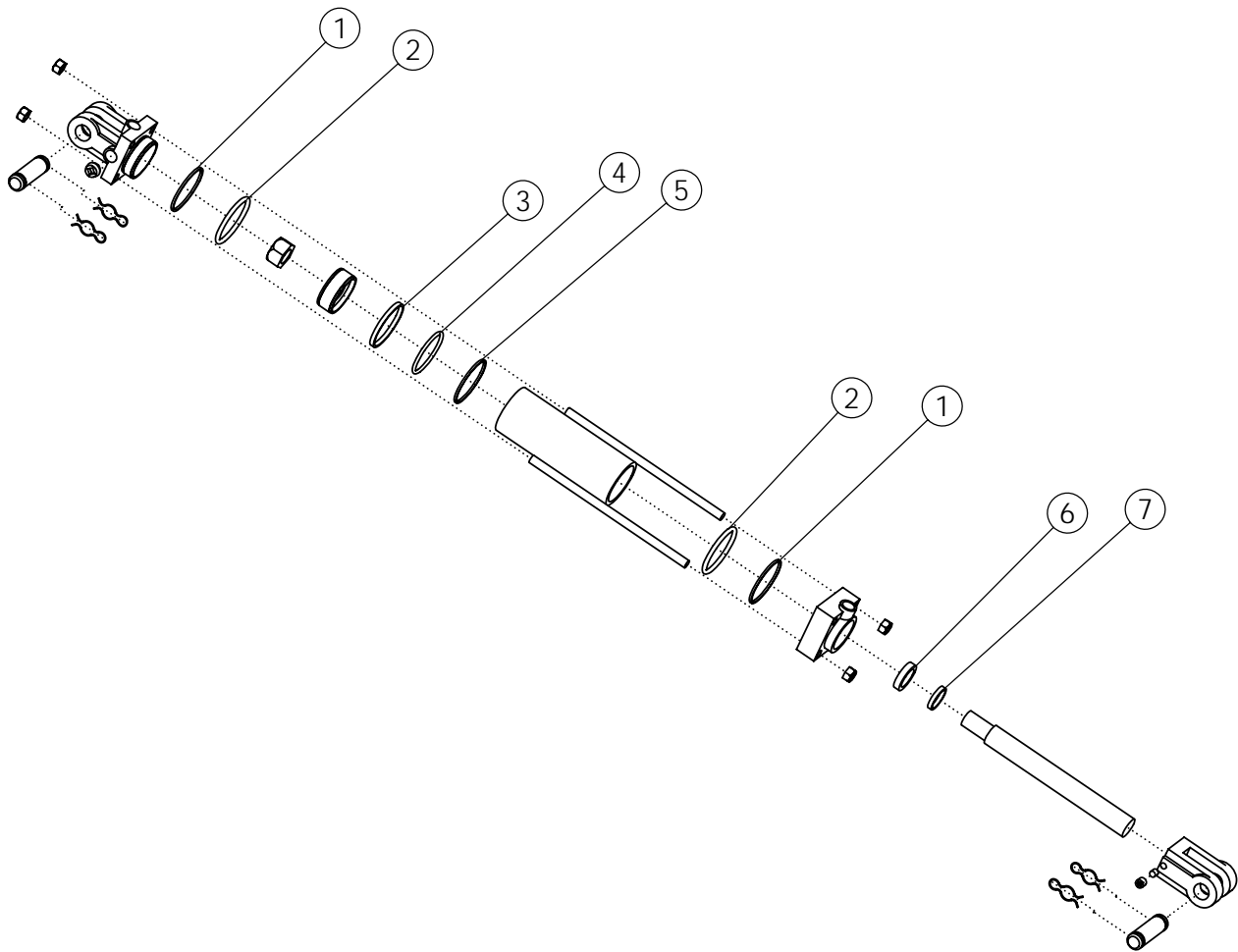
HYDRAULIC CYLINDER: 3 X 8 #63499

ITEM	PART NO.	DESCRIPTION	QTY
	59243	SEAL KIT - CYLINDER 3"; 3000 PSI	
1		BACKUP WASHER - END CAP	2
2		O-RING - END CAP	2
3		WEAR RING - PISTON	1
4		O-RING	1
5		PISTON SEAL	1
6		SEAL-ROD WIPER	1
7		SEAL-ROD DUST	1



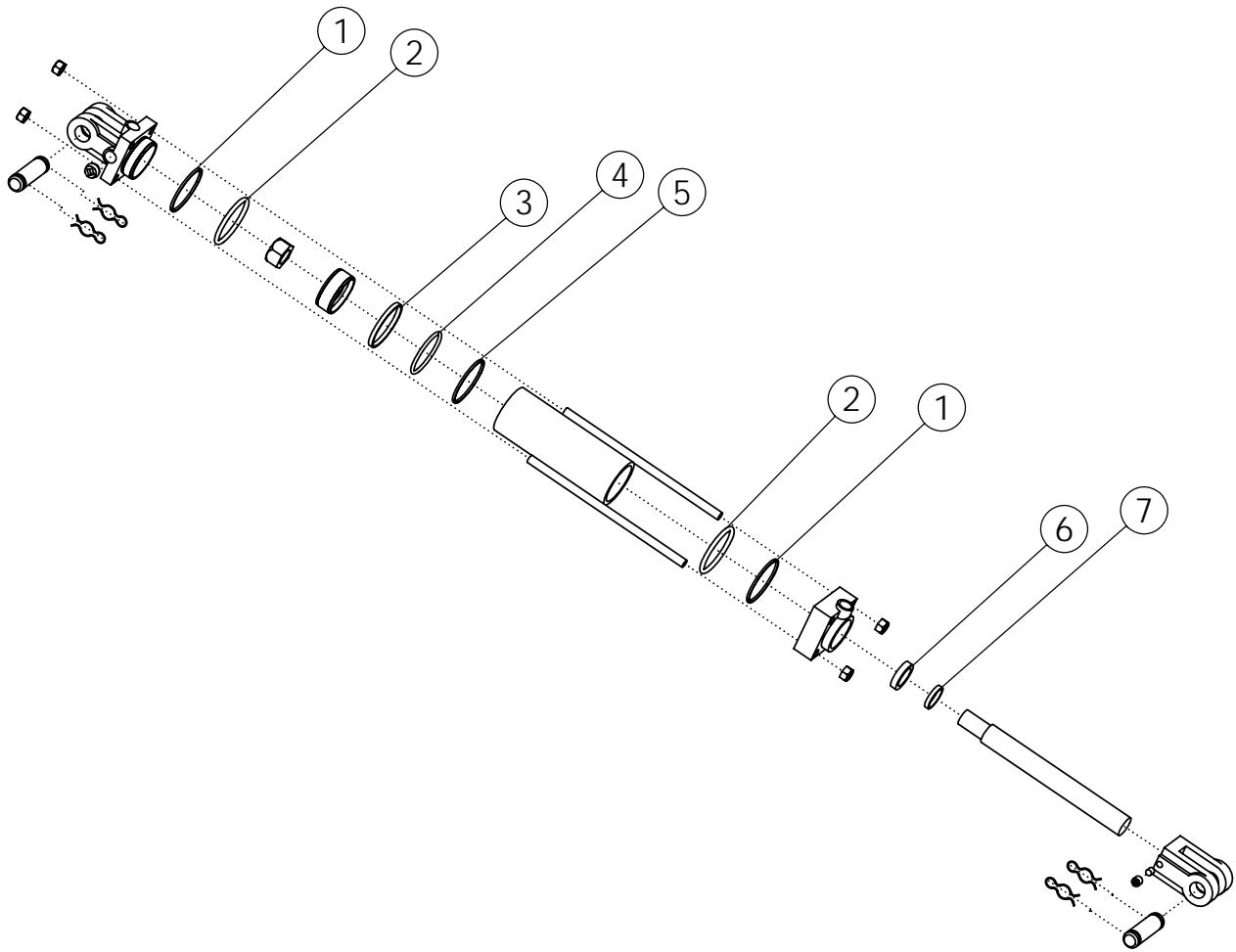
HYDRAULIC CYLINDER: 3.25 X 8 #63500

ITEM	PART NO.	DESCRIPTION	QTY
	66083	SEAL KIT - CYLINDER 3.25"	
1		BACKUP WASHER - END CAP	2
2		O-RING - END CAP	2
3		WEAR RING - PISTON	1
4		O-RING	1
5		PISTON SEAL	1
6		SEAL-ROD WIPER	1
7		SEAL-ROD DUST	1



HYDRAULIC CYLINDER: 4X8 #58891

ITEM	PART NO.	DESCRIPTION	QTY
	59244	SEAL KIT - CYLINDER 4"; 3000 PSI	
1		BACKUP WASHER-END CAP	2
2		O-RING-END CAP	2
3		WEAR RING-PISTON	1
4		O-RING	1
5		PISTON SEAL	1
6		SEAL-ROD WIPER	1
7		SEAL-ROD DUST	1



HYDRAULIC CYLINDER: 3X8 #58890

ITEM	PART NO.	DESCRIPTION	QTY
	59243	SEAL KIT - CYLINDER 3"; 3000 PSI	
1		BACKUP WASHER - END CAP	2
2		O-RING END CAP	2
3		WEAR RING - PISTON	1
4		O-RING	1
5		PISTON SEAL	1
6		SEAL-ROD WIPER	1
7		SEAL-ROD DUST	1