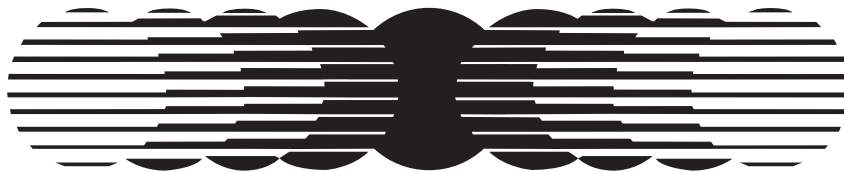


PARTS MANUAL

2014
HARVESTER
6 ROW 30 - WHEEL

Amity
TECHNOLOGY



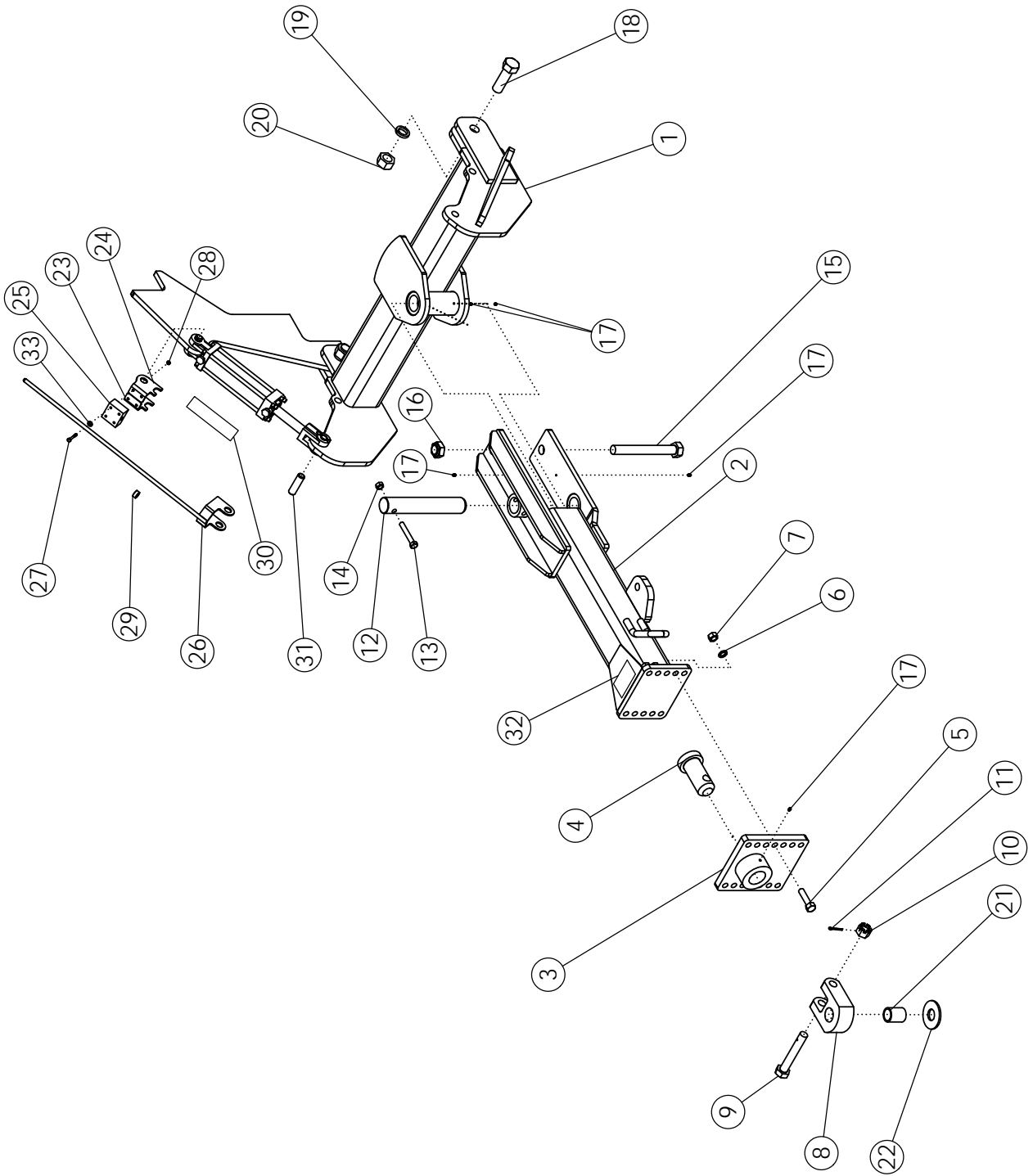
2800 7TH Avenue North
Fargo, ND 58102

Phone: (701) 232-4199
Fax: (701) 234-1716
www.amitytech.com

TABLE OF CONTENTS

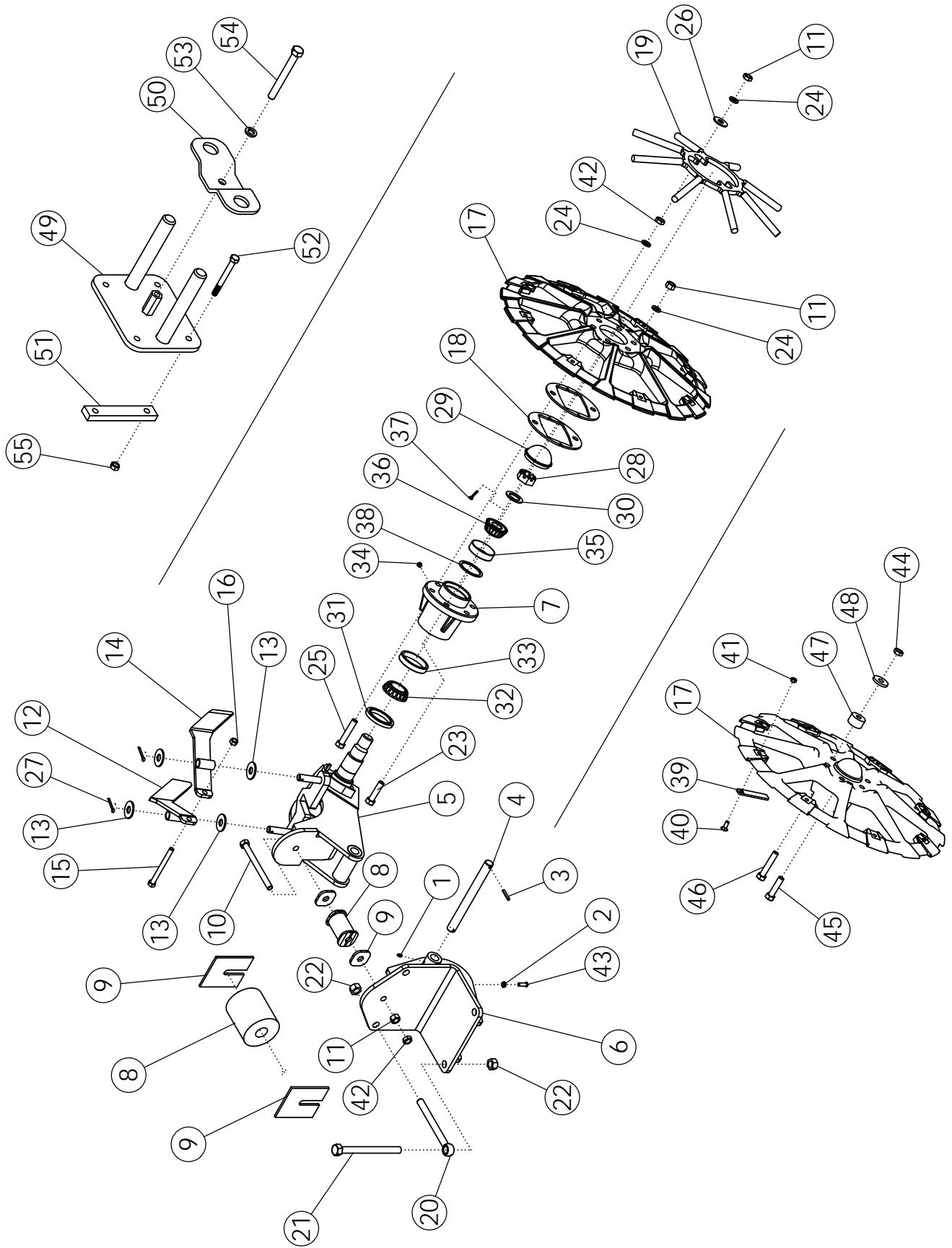
HITCH ASSEMBLY.....	1-2
LIFTER STRUT.....	3-10
ROW FINDER #51486.....	11-14
GUARDS & SHIELDS.....	15-16
DOOR ASSEMBLY.....	17-18
APRON SHAFT.....	19-24
PADDLE SHAFT.....	25-26
PLASTIC PADDLE ASSEMBLY (OPTIONAL).....	27-28
CLEANING ROLLS.....	29-32
CLEANING ROLL MOUNTING PACKAGE.....	33-34
MAIN DRIVE: ONBOARD OPTION.....	35-36
CLEANING ROLL DRIVE.....	37-38
APRON/PADDLE SHAFT DRIVE.....	39-40
TANK.....	41-42
ELEVATOR AND BOOM ASSEMBLY.....	43-46
BOOM EXTENSION 50MM/56MM (OPTIONAL).....	47-50
WHEEL ASSEMBLY.....	51-52
WHEEL CONVEYOR.....	56-56
WHEEL DRIVE.....	57-58
FRAME EXTENSION.....	59-60
WHEEL CLEANER (OPTIONAL).....	61-62
STANDARD REAR STRUTS.....	63-66
STEERABLE REAR STRUTS.....	67-70
ROW FINDER & HITCH HYDRAULICS.....	71-72
SELF- CONTAINED HYDRAULIC SYSTEM.....	73-74
TRACTOR HYDRAULIC DRIVE.....	75-76
TANK HYDRAULICS.....	77-78
HYDRAULIC TANK.....	79-80
LIGHT KIT.....	81-82
REVERSE #4 CLEANING ROLL #62111 (OPTIONAL).....	83-84
HARVESTER STAND #63357 (OPTIONAL).....	85-86
PTO DRIVELINE 1.75" – 20 SPLINE #51481.....	87-88
PTO DRIVELINE 1.38" – 21 SPLINE #51480.....	89-90
GEARBOX (1.81:1): ONBOARD OPTION #62396.....	91-92
SELECTOR VALVE #58470.....	93-94
ROW FINDER VALVE #62350.....	95-96
SPROCKET #54824.....	97-98
BELT TIGHTENER #56422.....	97-98

SLIP CLUTCH (IN-LINE) #57926.....	99-100
SLIP CLUTCH/SPROCKET #57993.....	99-100
SLIP CLUTCH/SPROCKET #58335.....	99-100
IDLER PULLEY #56409.....	101-102
SPROCKET IDLER #56851.....	101-102
ROLLERS.....	103-104
BELTED CHAIN LAP JOINT CONNECTION.....	105
REPAIR KIT - BELTED CHAIN #59180.....	106
BELTED CHAIN RIVET CUTTER.....	107



HITCH ASSEMBLY

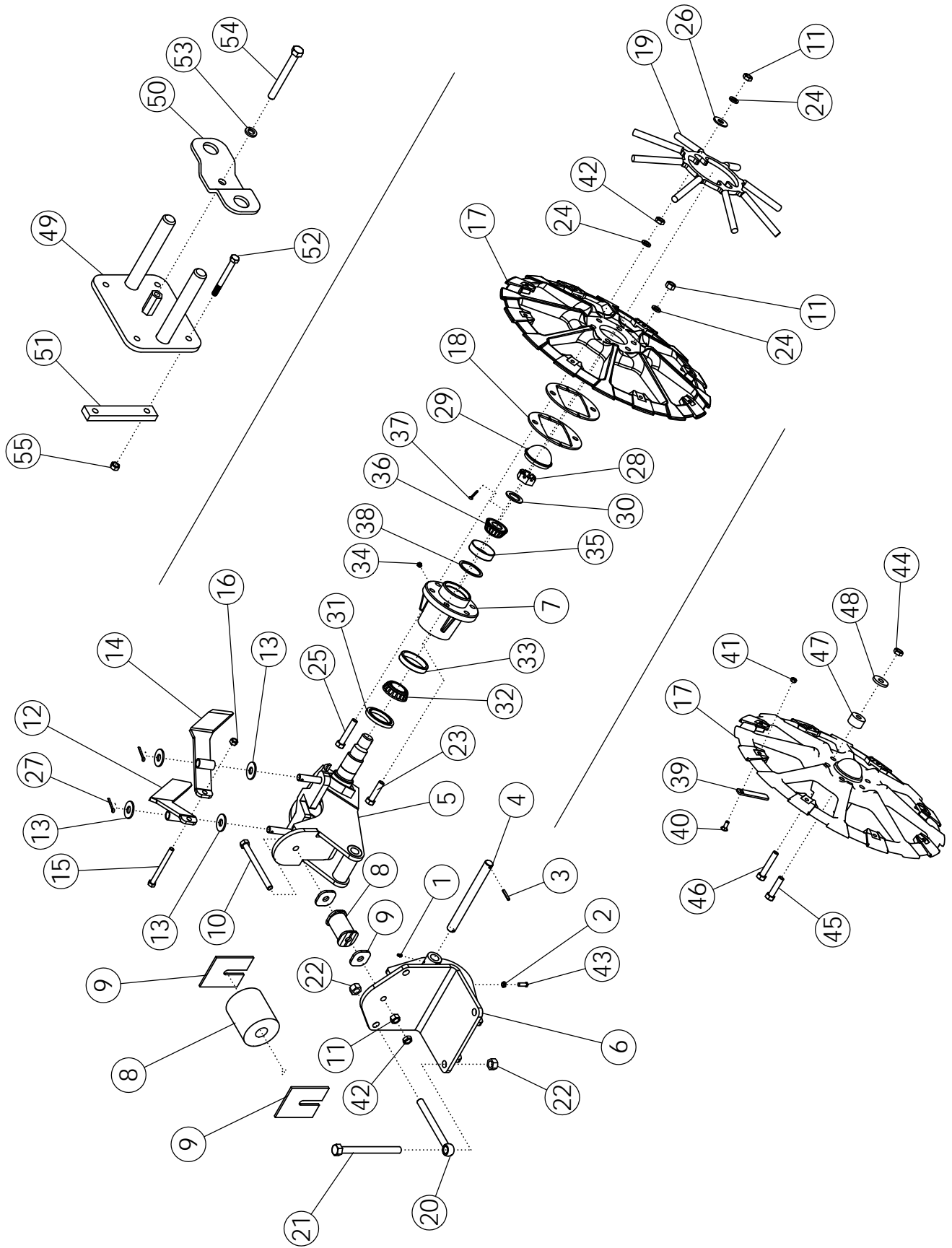
ITEM	PART NO.	DESCRIPTION	QTY
1	50341	WLDMT - STD HITCH PIVOT	1
2	57928	WLDMT - DRAWPOLE	1
3	57930	WLDMT-HITCH PLATE	1
4	62101	PIN-HITCH MACHINED PAINTED	1
5	1012059	BOLT-HEX: .75 X 3.00 NC GR5 ZP	6
6	1012061	WASHER-LOCK: .75 ZP	6
7	1011620	NUT-HEX: .75 NC	6
8	64476	PLATE-PULL HITCH	1
9	62477	BOLT-HITCH DRILLED	1
10	62088	NUT-SLOTTED: 1.13 NC GR5 ZP	1
11	1013473	PIN-COTTER: .19 X 2.00 NP	1
12	50678	PIN	1
13	1015117	BOLT-HEX: .63 X 4.00 NC GR8 ZP	1
14	1016595	NUT-TOPLOCK: .63 NC GR5 ZP	1
15	1030756	BOLT-HEX: 1.25 X 10.50 NC GR5 ZP	1
16	1030759	NUT-TOPLOCK: 1.25 NC ZP	1
17	1011748	ZERK - GREASE	5
18	72021	BOLT-HEX: 1.38 X 4.50 NC GR5 ZP	2
19	1030760	WASHER-LOCK: 1.38 ZP	2
20	1030758	NUT-HEX: 1.38 NC ZP	2
21	64614	TUBE-SPACER 2.00 X 1.63	1
22	58925	HARDENED WASHER	1
	68645	WASHER-FLAT: 2.00 ZP GR8	
23	63995	TOP BRACKET RH	1
24	63996	TOP BRACKET LH	1
25	63383	POLY GUIDE BLOCK	1
26	63999	WLDMT - BOTTOM_BRACKET	1
27	1016211	BOLT-HEX: .25 X 2.00 NC GR5	4
28	1030946	NUT-TOPLOCK: .25 NC GR5 ZP	4
29	63359	SET COLLAR .56	1
30	63405	DECAL-DEPTH GAUGE	1
31	63406	PIN-CLEVIS: 1.00 X 4.00 ZP	2
32	52248	DECAL-CAUTION	1
33	1020416	WASHER-FLAT: .25 ZP	4
34	69256	CHAIN-SAFETY 41000# 8 &12 ROW(NOT SHOWN)	1



LIFTER STRUT

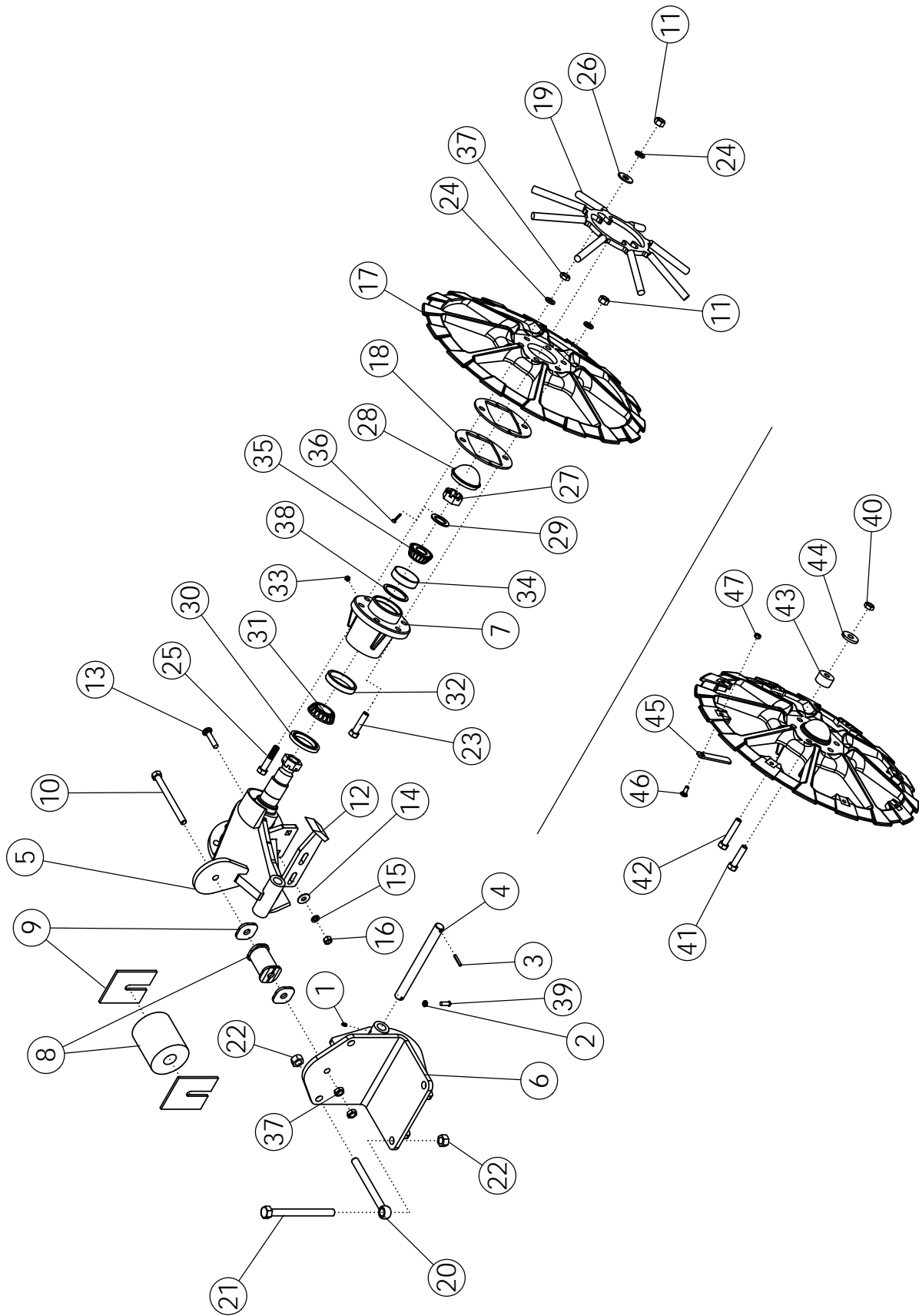
ITEM	PART NO.	DESCRIPTION	QTY
1	1011748	ZERK - GREASE: .25 UNF	2
2	1013519	NUT-JAM: .38 NC GR2 ZP	2
3	59398	PIN-ROLL: .25 X 1.50 ZP	2
4	69907	SHAFT-STRUT	1
5	50142	WLDMT-STRUT SPINDLE ASSY	1
6	50146	WLDMT-STRUT BRACKET	1
7	63655	HUB-MACHINED	2
8	50134	WLDMT-SPACER ZP	1
	51542	BUMPER-RUBBER	1
9	50137	WASHER SQUARE ZP	2
	50139	PLATE-LIFTER STRUT SPACER ZP	4
10	1030761	BOLT-HEX: .63 X 7.00 NC GR 8 ZP	1
11	1011578	NUT-HEX: .63 NC GR5 ZP	13
12	50715	WLDMT-SCRAPER RH	1
13	1030702	WASHER-FLAT: .75 ZP	4
14	50716	WLDMT-SCRAPER LH	1
15	1016660	BOLT-HEX: .50 X 5.50 NC GR5 ZP	1
16	1027461	NUT-TOPLOCK: .50 NC GR5 ZP	1
17	69856	LIFTER WHEEL MACHINED PAINTED	2
	300734	LIFTER WHEEL HARD PAINTED	
18	50747	PLATE-LIFTER WHEEL SPACER ZP	AR
19	63880	WLDMT-WHEEL FILLER (OPTIONAL)	2
20	64135	BOLT-EYE: .75 X 8.00 ZP	2
21	64136	BOLT-HEX: .75 X 8.50 NC GR5 ZP	2
22	1017000	NUT-TOPLOCK: .75 NC GR5 ZP	4
23	1013023	BOLT-HEX: .63 X 2.50 NC GR5 ZP	8
24	1011813	WASHER-LOCK: .63 ZP	16
25	65825	BOLT-HEX: .63 X 3.25 NC GR5 ZP	4
26	1013024	WASHER-FLAT: .63 ZP	4
27	1013473	PIN-COTTER: .19 X 2.00 NP	2
28	1016367	NUT-SPINDLE: 1.38 NF NP	2
29	63624	HUB CAP ROUNDED ZP	2
30	1030765	BUSHING-MACHINED: 1.38 NR 10 GA	2
31	53632	SEAL	2
32	53634	CONE-BEARING INNER	2
33	53636	CUP-BEARING INNER	2
34	1030766	ZERK - GREASE .13 NPT STRAIGHT	2
35	53635	CUP-BEARING OUTER	2
36	53633	CONE-BEARING OUTER	2
37	64012	PIN-COTTER: .19 X 3.00 NP	2

CONTINUED



LIFTER STRUT (CONTINUED)

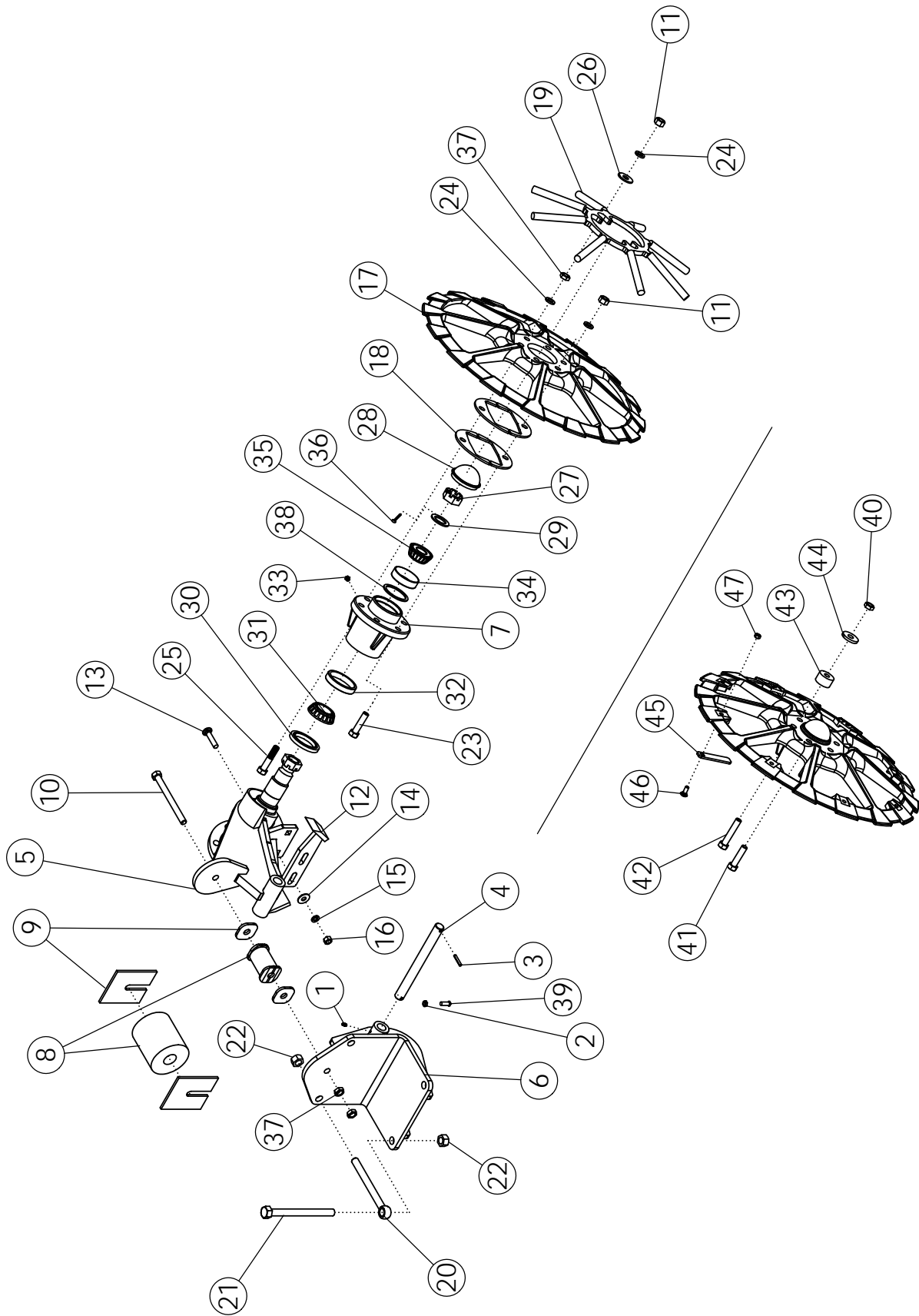
ITEM	PART NO.	DESCRIPTION	QTY	
38	64674	RACE-SPACER (.120)	AR	
39	300097	PLATE-LIFTER WHEEL FILLER	16	
40	59488	BOLT-CRG: .38 X 1.00 NC GR5 ZP	16	
41	1016999	NUT-TOPLOCK: .38 NC GR5 ZP	16	
42	1026259	NUT-JAM: .63 NC GR2 ZP	5	
43	50813	SCREW-SET: SQ HD .38 X 1.00 ZP	2	
OPTIONAL URETHANE BUSHING				
44	1016595	NUT-TOPLOCK: .63 GR5 ZP	12	
45	1014000	BOLT-HEX: .63 X 3.50 NC GR5 ZP	8	
46	1013935	BOLT-HEX: .63 X 4.50 NC GR5 ZP	4	
47	51705	BUSHING	12	
48	301324	WASHER-CUSTOM: .668 ID X 1.875 OD X .235	12	
OPTIONAL WHEEL FILLER BRACKET			6-8ROW	12 ROW
49	64658	WLDMT-WHEEL FILLER BRACKET	2	3
50	64659	PLATE-RETAINER	2	3
51	63372	BAR-BACKING	4	6
52	58176	BOLT-HEX: .38 X 3.50 NC GR5 ZP	8	12
53	1011581	WASHER-LOCK: .50 ZP	2	3
54	1013682	BOLT-HEX: .50 X 4.50 NC GR5 ZP	2	3
55	1016999	NUT-TOPLOCK: .38 NC GR5 ZP	8	12



LIFTER STRUT - BOTTOM SCRAPER OPTION

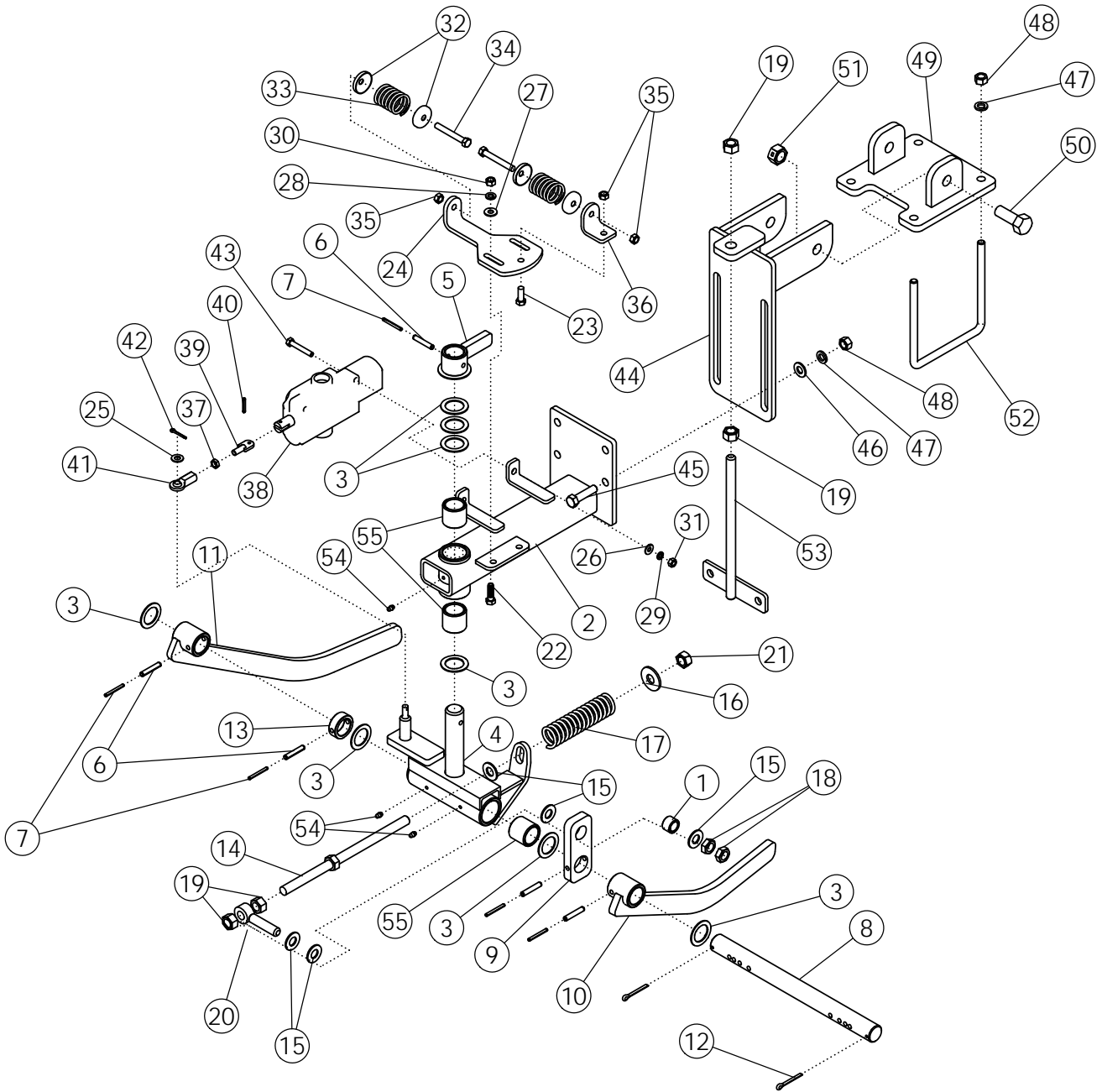
ITEM	PART NO.	DESCRIPTION	QTY
1	1011748	ZERK - GREASE: .25 UNF	2
2	1013519	NUT-JAM: .38 NC GR2 ZP	2
3	59398	PIN-ROLL: .25 X 1.50 ZP	2
4	69907	SHAFT-STRUT	1
5	68095	WLDMT-SP LIFTER STRUT STD	1
6	50146	WLDMT-STRUT BRACKET	1
7	63655	HUB-MACHINED	2
8	50134	WLDMT-SPACER ZP	1
	51542	BUMPER-RUBBER	1
9	50137	WASHER SQUARE ZP	2
	50139	PLATE ZP	4
10	1030761	BOLT-HEX: .63 X 7.00 NC GR 8 ZP	1
11	1011578	NUT-HEX: .63 NC GR5 ZP	13
12	64369	WLDMT-SCRAPER	2
13	64685	BOLT-CRG: .50 X 2.25 NC GR5 ZP	2
14	1014443	WASHER-FLAT: .50 ZP	2
15	1011581	WASHER-LOCK: .50 ZP	2
16	1011577	NUT-HEX: .50 NC GR5 ZP	2
17	69856	LIFTER WHEEL MACHINED PAINTED	2
	300734	LIFTER WHEEL HARD PAINTED	
18	50747	PLATE-LIFTER WHEEL SPACER ZP	AR
19	63880	WLDMT-WHEEL FILLER (OPTIONAL)	2
20	64135	BOLT-EYE: .75 X 8.00 ZP	2
21	64136	BOLT-HEX: .75 X 8.50 NC GR5 ZP	2
22	1017000	NUT-TOPLOCK: .75 NC GR5 ZP	4
23	1013023	BOLT-HEX: .63 X 2.50 NC GR5 ZP	8
24	1011813	WASHER-LOCK: .63 ZP	16
25	65825	BOLT-HEX: .63 X 3.25 NC GR5 ZP	4
26	1013024	WASHER-FLAT: .63 ZP	4
27	1016367	NUT-SPINDLE: 1.38 NF NP	2
28	63624	HUB CAP ROUNDED ZP	2
29	1030765	BUSHING-MACHINED: 1.38 NR 10 GA	2
30	53632	SEAL	2
31	53634	CONE-BEARING INNER	2
32	53636	CUP-BEARING INNER	2
33	1030766	ZERK - GREASE .13 NPT STRAIGHT	2
34	53635	CUP-BEARING OUTER	2
35	53633	CONE-BEARING OUTER	2
36	64012	PIN-COTTER: .19 X 3.00 NP	2
37	1026259	NUT-JAM: .63 NC ZP	5
38	64674	RACE-SPACER (.120)	AR
39	50813	SCREW-SET: SQ HD .38 X 1.00 ZP	2

CONTINUED



LIFTER STRUT - BOTTOM SCRAPER (CONTINUED)

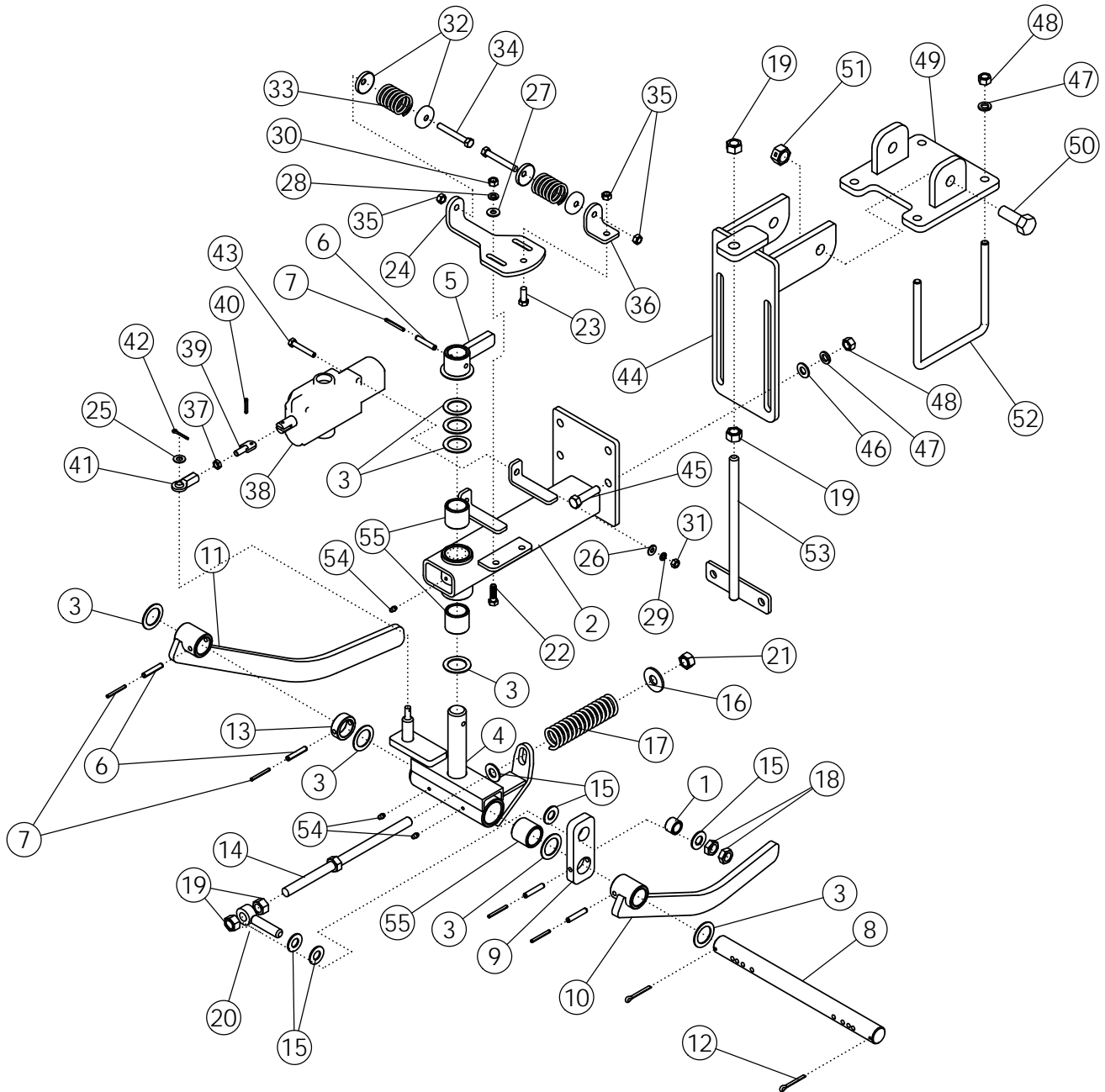
ITEM	PART NO.	DESCRIPTION	QTY
<hr/>			
OPTIONAL URETHANE BUSHING			
<hr/>			
40	1016595	NUT-TOPLOCK: .63 GR5 ZP	12
41	1014000	BOLT-HEX: .63 X 3.50 NC GR5 ZP	8
42	1013935	BOLT-HEX: .63 X 4.50 NC GR5 ZP	4
43	51705	BUSHING	12
44	301324	WASHER-CUSTOM: .668 ID X 1.875 OD X .235 TH	12
<hr/>			
RIM FILLER KIT			
<hr/>			
45	300097	PLATE-LIFTER WHEEL FILLER	16
46	59488	BOLT-CRG: .38 X 1.00 NC GR5 ZP	16
47	1016999	NUT-TOPLOCK: .38 NC GR5 ZP	16



HYDRAULIC ROW FINDER #51486

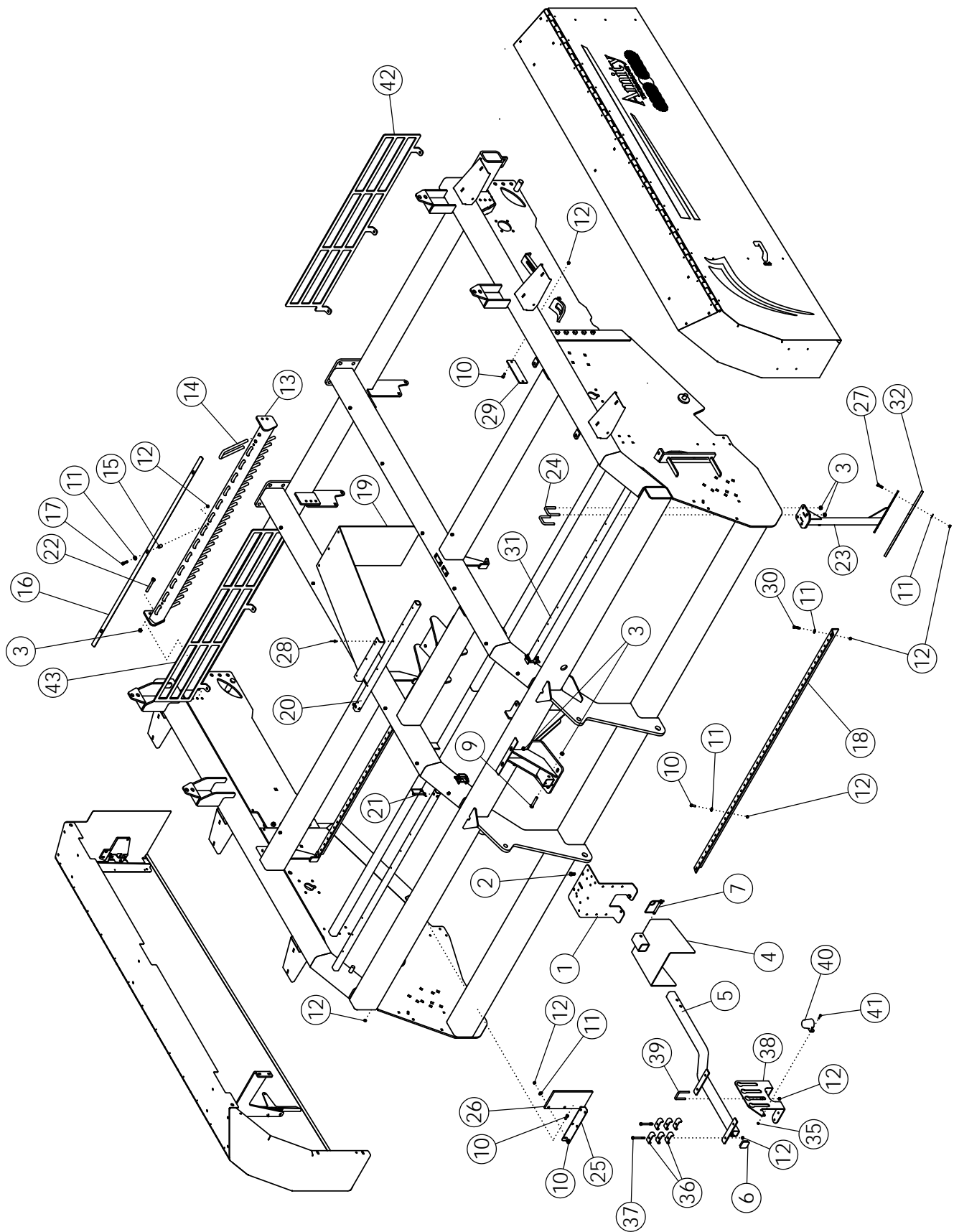
ITEM	PART NO.	DESCRIPTION	QTY
1	52567	BUSHING-ZP	1
2	62520	ASSY-ROW FINDER MAIN FRAME W/BUSHINGS	1
3	55206	BUSHING-MACH: 1.25 NR 14GA	9
4	51139	ASSY-WLDMT-SWIVEL W/BUSHINGS	1
5	51130	WLDMT-FLIPPER	1
6	1030793	PIN-ROLL: .31 X 1.75 ZP	5
7	1030798	PIN-ROLL: .19 X 1.75 ZP	5
8	51690	SHAFT ZP	1
9	52566	TENSIONER ARM	1
10	51131	SENSOR ARM-L.H.	1
11	52564	SENSOR ARM-R.H.	1
12	1030797	PIN-COTTER: .19 X 1.75 NP	2
13	51137	COLLAR	1
14	52565	ADJUSTMENT BOLT	1
15	1013004	WASHER-FLAT: SAE .63 ZP	5
16	1013024	WASHER-FLAT: .63 ZP	2
17	51692	SPRING: .21 X 1.44 OD X 6.00 15 COILS	1
18	1026259	NUT-JAM: .63 NC GR2 ZP	3
19	1011578	NUT-HEX: .63 NC GR2 ZP	4
20	51691	EYEBOLT: .63 X 3.25 ZP	1
21	1016595	NUT-TOPLOCK: .63 NC GR5 ZP	1
22	1011601	BOLT-HEX: .38 X 1.25 NC GR5 ZP	2
23	1011600	BOLT-HEX: .38 X 1.00 NC GR5 ZP	1
24	51129	PLATE-ADJUSTMENT	4
25	1014608	WASHER-FLT: SAE .38 ZP	1
26	1020416	WASHER-FLAT: .25 ZP	2
27	1011583	WASHER-FLAT: .31 ZP	2
28	1011586	WASHER-LOCK: .38 ZP	2
29	1029115	WASHER-LOCK: .31 ZP	2
30	1011576	NUT-HEX: .38 NC GR2 ZP	2
31	1011575	NUT-HEX: .31 NC GR2 ZP	2
32	52582	SPRING CAP	4
33	51689	SPRING-ROW FINDER PAINTED	2
34	1019828	BOLT-HEX: .38 X 2.75 NC GR5 ZP	2
35	1016999	NUT-TOPLOCK: .38 NC GR5 ZP	7
36	51128	SPRING PLATE	1
37	1030792	NUT-JAM: .38 NF GR2 ZP	1
38	301150	VALVE-ROWFINDER O/C	1
39	62540	PLATE STUD ZP	1
40	64157	PIN-ROLL: .19 X 1.125 ZP	1

CONTINUED



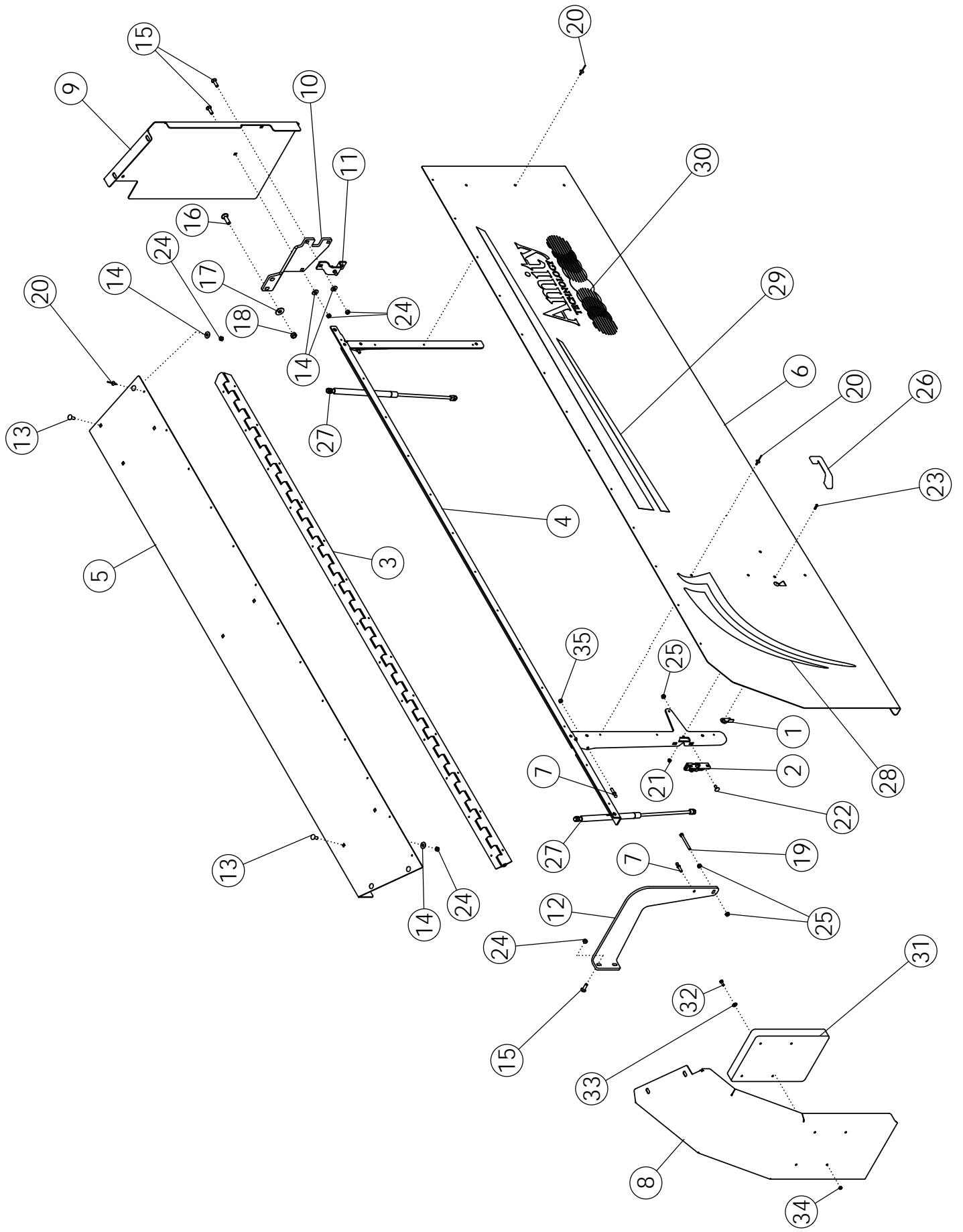
HYDRAULIC ROW FINDER #51486 (CONTINUED)

ITEM	PART NO.	DESCRIPTION	QTY
41	51136	UNIBALL COUPLING	1
42	1029137	PIN-COTTER: .13 X 1.00 ZP	1
43	1011285	BOLT-HEX: .31 X 2.00 NC	2
44	52181	WLDMT-BRACKET	1
45	1011609	BOLT-HEX: .50 X 2.00 NC GR5 ZP	4
46	1011584	WASHER-FLAT: SAE .50 ZP	4
47	1011581	WASHER-LOCK: .50 ZP	8
48	1011577	NUT-HEX: .50 NC GR2 ZP	12
49	62871	WLDMT-BRACKET	1
50	1012060	BOLT-HEX: .75 X 2.00 NC GR5 ZP	2
51	1013537	NUT-TOPLOCK: .75 NC GR5 ZP	2
52	53984	U-BOLT 1/2 X 7 X 6 X 7	2
53	62882	WLDMT-TIGHTENER 11.125" ZP	1
54	1011748	ZERK - GREASE	3
55	56939	BUSHING-OILITE:1.25 X 1.625 X 1.50L	4



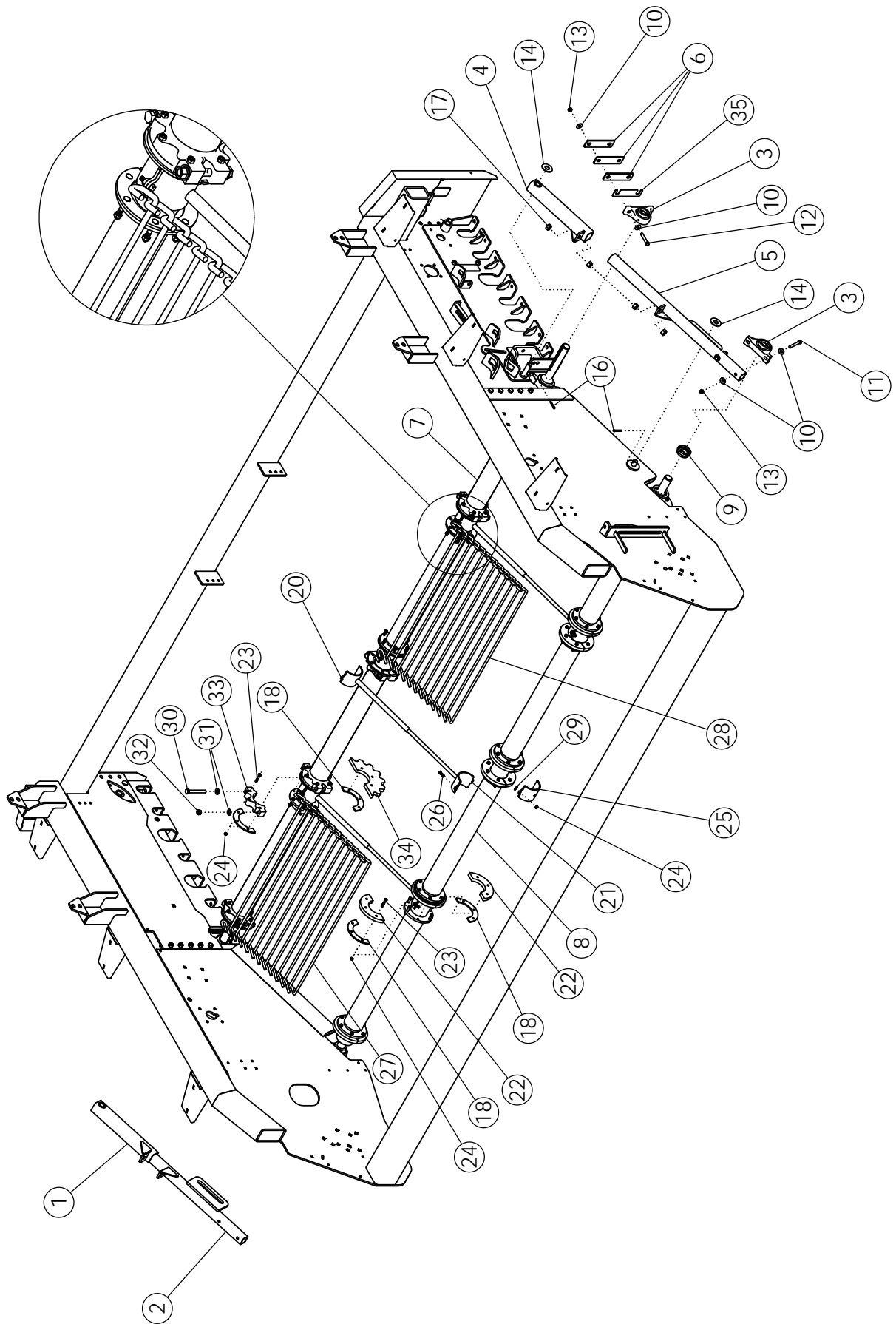
GUARDS AND SHIELDS

ITEM	PART NO.	DESCRIPTION	QTY
1	62883	PLATE-HOSE MOUNT	1
2	1011096	BOLT-HEX: .50 X 1.00 NC GR5 ZP	4
3	1027461	NUT-TOPLOCK: .50 NC GR5 ZP	33
4	63354	WLDMT-PTO SHIELD	1
5	301210	WLDMT-HYD HOSE HOLDER	1
6	301129	CAPLUG-2" SQ	1
7	52408	SPRING PIN .50" X 3.50"	1
8	52901	PADDLE SHAFT GUARD	1
9	1011611	BOLT-HEX: .50 X 3.00 NC GR5 ZP	1
10	1011600	BOLT-HEX: .38 X 1.00 NC GR5 ZP	34
11	1011828	WASHER-FLAT: .38 ZP	52
12	1016999	NUT-TOPLOCK: .38 NC GR5 ZP	72
13	58182	WLDMT-MOUNT	2
14	69117	U-ROD ZP	28
15	58446	SPACER ZP	6
16	58448	STRAP	2
17	1011603	BOLT-HEX: .38 X 1.75 NC GR5 ZP	6
18	51225	MOUNT-TARP 8R	2
19	58961	APRON-RUBBER	6
20	57721	TUBE-INNER APRON 6R/8R	1
21	59101	SPRING PIN .38 X 3.00	3
22	1032507	BOLT-HEX: .50 X 4.00 NC GR5 ZP	8
23	62378	WLDMT - DEFLECTOR	5
24	65658	U-BOLT: .50 X 3 X 2.06 X 3	10
25	51331	ANGLE	2
26	51680	DEFLECTOR-RUBBER	2
27	1011601	BOLT-HEX: .38 X 1.25 NC GR5 ZP	20
28	1011974	RIVET-POP: .19 X .53 ZP	18
29	63501	PLATE-COVER	2
30	1011602	BOLT-HEX: .38 X 1.50 NC GR5 ZP	4
31	64508	TUBE-OUTER APRON MOUNT 6R30	2
32	51687	DEFLECTOR-RUBBER	5
33	69265	ASSY-LH DOOR 6R & 8R	1
34	69350	ASSY-RH DOOR 6R & 8R	1
35	1030946	NUT-TOPLOCK: .25 NC GR5 ZP	2
36	50714	CLAMP 1/2" ZP	12
37	58176	BOLT-HEX: .38 X 3.50 NC GR5 ZP	6
	1015174	BOLT-HEX: .38 X 2.50 NC GR5 ZP	
38	301212	PLATE-HYD HOSE HOLDER PIONEER TIP	1
39	33162	U-BOLT: .375 X 3 X 2 X 3	2
40	223329	HOLDER-LIGHT PLUG	1
41	1013423	BOLT-HEX: .25 X 1.00 NC GR5 ZP	2
42	69431	PLATE-GUARD LH 8R	1
43	69432	PLATE-GUARD RH 8R	1



DOOR ASSEMBLY

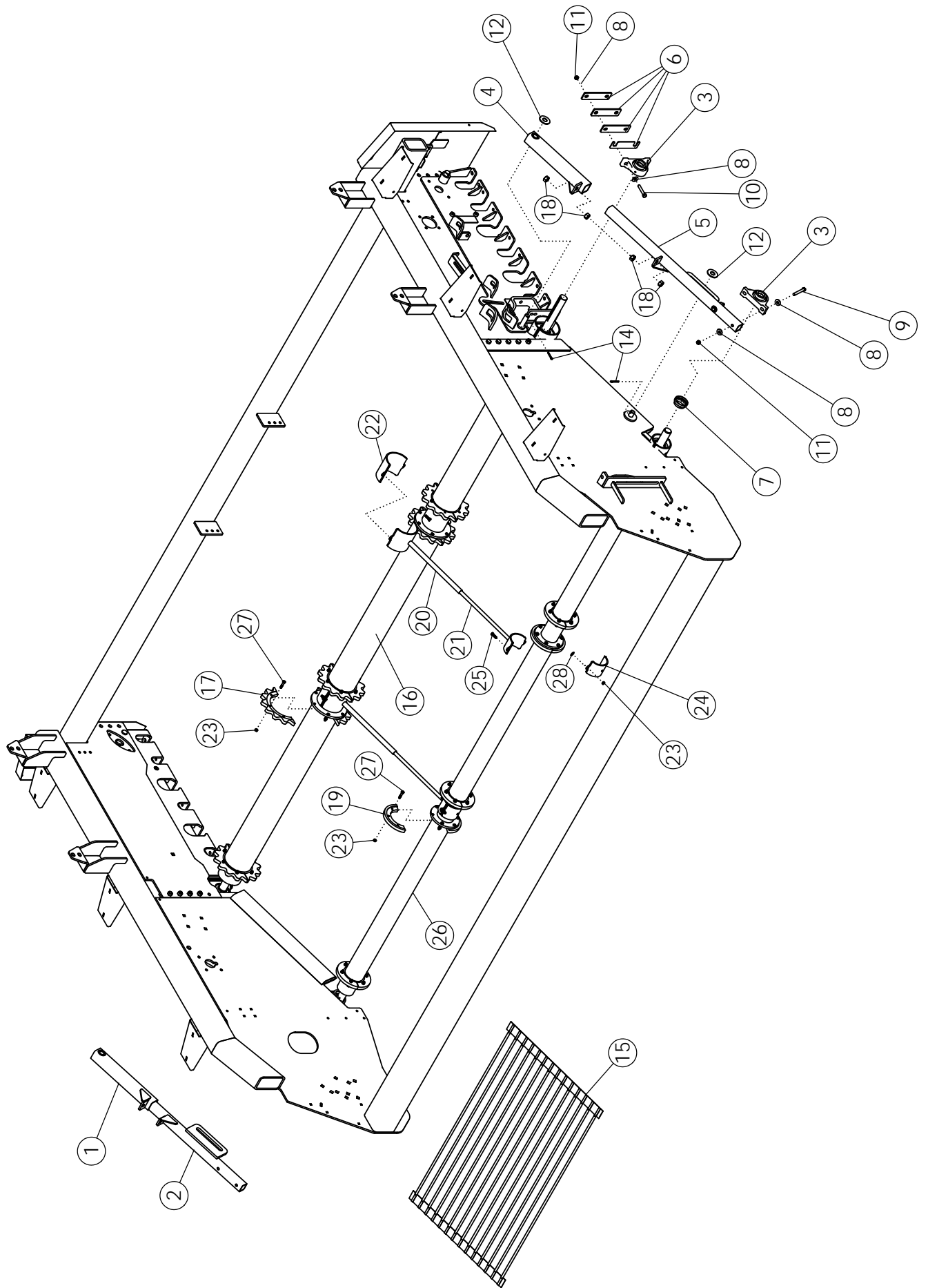
ITEM	PART NO.	DESCRIPTION	QTY
1	69284	LEVER-HRV LATCH ZP	1
2	69283	LATCH-DLP ROTARY SLAM	1
3	69286	HINGE-108 HEAVY CONTINUOUS	1
4	69266	WLDMT-DOOR FRAME LH	1
	69348	WLDMT-DOOR FRAME RH (NOT SHOWN)	
5	69271	PANEL-SHIELD TOP LH PC	1
	69316	PANEL-SHIELD TOP RH PC (NOT SHOWN)	
6	69270	SHEET-SHIELD DOOR LH PC	1
	69319	SHEET-SHIELD DOOR RH PC (NOT SHOWN)	
7	69278	STUD-BALL .31-18NC X .75	4
8	69272	PANEL-SHIELD FRONT LH PC	1
	69317	PANEL-SHIELD FRONT RH PC (NOT SHOWN)	
9	69273	PANEL-SHIELD REAR LH PC	1
	69318	PANEL-SHIELD REAR RH PC (NOT SHOWN)	
10	69274	PLATE-SUPPORT REAR LH	1
	69344	PLATE-SUPPORT REAR RH (NOT SHOWN)	
11	69275	BRACKET-SPRING REAR	1
12	69277	BRACKET-SPRING FRONT LH	1
	69320	BRACKET-SPRING FRONT RH (NOT SHOWN)	
13	59488	BOLT-CRG: .38 X 1.00 NC GR5 ZP	10
14	1011828	WASHER-FLAT .38 ZP	17
15	1016362	BOLT-CRG: .38 X 1.25 NC GR5 ZP	7
16	1011660	BOLT-CRG: .50 X 1.50 NC GR5 ZP	2
17	1014443	WASHER-FLAT: .50 ZP	2
18	1027461	NUT-TOPLOCK: .50 NC GR5 ZP	2
19	1029448	BOLT-HEX .31 X 3.00 NC GR5 ZP	1
20	1011974	RIVET-POP: .19 X .531 ZP	32
21	1026591	NUT-K-LOCK: #10-24 NC GR2 ZP	2
22	65702	BOLT-CRG: .31 X .75 NC GR5 ZP	2
23	67078	SCREW-P-H: 10-24 X .75 NC GR2 ZP	2
24	1016999	NUT-TOPLOCK: .38 NC GR5 ZP	17
25	67077	NUT-FLANGE SERR .31 NC ZP GR2	4
26	69285	HANDLE-MOLDED GRAB	1
27	69282	SPRING-700N GAS	2
28	69294	DECAL-LH CURVE	1
	69297	DECAL-RH CURVE	1
29	69295	DECAL-LH STRIPE	1
	69298	DECAL-RH STRIPE	1
30	69399	DECAL-AMITY LOGO	1
31	64635	CASE-MANUAL STORAGE	1
32	1011595	BOLT-HEX: .25 X .75 NC GR5 ZP	4
33	1020416	WASHER-FLAT: .25 ZP	4
34	1030946	NUT-TOPLOCK: .25 NC GR5 ZP	4
35	1030700	NUT-TOPLOCK: .31 NC GR5 ZP	4



APRON SHAFT - HOOK CHAIN

ITEM	PART NO.	DESCRIPTION	QTY
1	56693	WLDMT-ARM RH	1
2	56698	WLDMT-SLIDE RH	1
3	52405	BEARING-PILLOW 1.75	4
4	56692	WLDMT-ARM LH	1
5	56697	WLDMT-SLIDE LH	1
6	56672	SHIM-BEARING ZP	AR
7	69249	WLDMT-TOP APRON SHAFT	1
8	62695	WLDMT-BOTTOM APRON SHAFT	1
9	52382	SEAL PROTECTOR 1.75	2
10	1014443	WASHER-FLAT: .50 ZP	16
11	1029104	BOLT-HEX: .50 X 3.75 NC GR5 ZP	4
12	1011611	BOLT-HEX: .50 X 3.00 NC GR5 ZP	4
13	1027461	NUT-TOPLOCK: .50 NC GR5 ZP	8
14	1020685	WASHER-FLAT: 1.00	4
15	56718	ROD-THREADED ZP	2
16	1016944	PIN-COTTER: .25 X 2.00 ZP	4
17	1011620	NUT-HEX: .75 NC GR2 ZP	8
18	62836	HALF DISC-SPACER ZP (1/2" CHAIN ONLY)	32
19	1013239	BOLT-HEX: .38 X 3.00 NC GR5 ZP (1/2" CHAIN ONLY)	48
	1019828	BOLT-HEX: .38 X 2.75 NC GR5 ZP	
20	64162	WLDMT-UPPER FILLER	3
21	64161	WLDMT-LOWER FILLER	3
22	58322	HALF-DISC ZP	16
23	1011725	BOLT-HEX: .38 X 2.00 NC GR5 ZP (1/2" CHAIN ONLY)	48
	1011603	BOLT-HEX: .38 X 1.75 NC GR5 ZP	
24	1016999	NUT-TOPLOCK: .38 NC GR5 ZP	108
25	64159	CLAMP-FILLER PAINTED	6
26	64991	BOLT-HEX: .38 X 1.25 NC GR8 ZP	12
27	59559	CHAIN 1/2 X 48 X 2.38	4
	64399	CHAIN 5/8 X 48 X 2.38	
28	62609	CHAIN 1/2 X 36 X 2.38	4
	64400	CHAIN 5/8 X 36 X 2.38	
29	1011828	WASHER-FLAT: .38 ZP	12
30	69246*	BOLT-HEX: .63 X 5.00 NC GR8 ZP	16
31	66498*	WASHER-FLAT: SAE .63 YZP	32
32	66500*	NUT-HEX: .63 NC GR8 YZP	16
33	69245*	CLAMP-APRON	16
34	301221	SPROCKET-SPLIT 2.375 14T	8
	64154	SPROCKET-HALF 2.375 12T 4" SHAFT (ROCK) ZP	16
35	300146	SHIM-BEARING .120 THK	AR

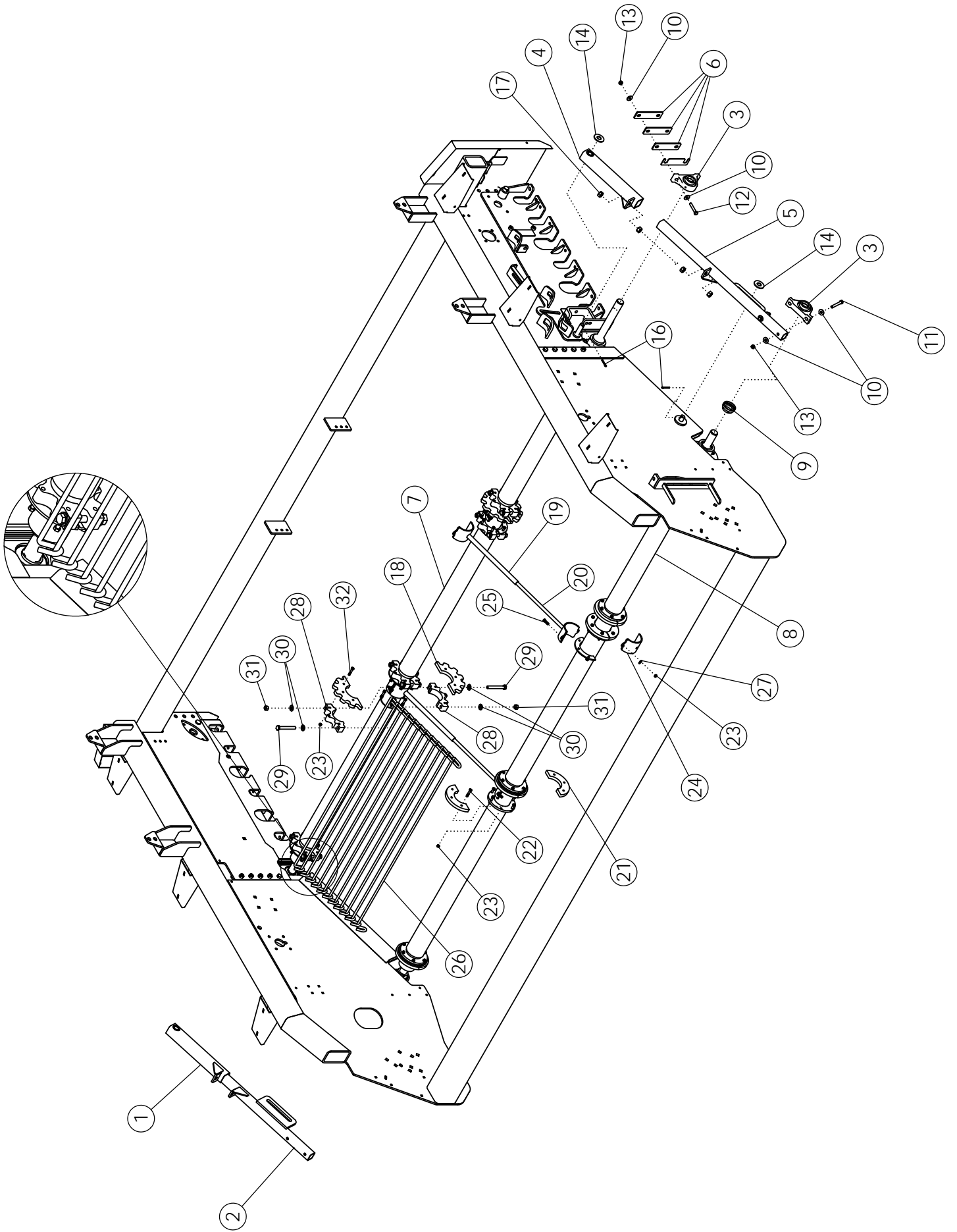
*INCLUDED IN ITEM 7



APRON SHAFT - BELTED CHAIN

ITEM	PART NO.	DESCRIPTION	QTY
1	56693	WLDMT-ARM RH	1
2	56698	WLDMT-SLIDE RH	1
3	52405	BEARING-PILLOW 1-3/4"	4
4	56692	WLDMT-ARM LH	1
5	56697	WLDMT-SLIDE LH	1
6	56672	SHIM-BEARING ZP	AR
7	52382	SEAL PROTECTOR 1-3/4"	2
8	1014443	WASHER-FLAT: .50 ZP	16
9	1029104	BOLT-HEX: .50 X 3.75 NC GR5 ZP	4
10	1011611	BOLT-HEX: .50 X 3.00 NC GR5 ZP	4
11	1027461	NUT-TOPLOCK: .50 NC GR5 ZP	8
12	1020685	WASHER-FLAT: 1.00	4
13	56718	ROD-THREADED ZP	2
14	1016944	PIN-COTTER: .25 X 2.00 ZP	4
15	64904	BELT-56MM APRON 5/8 X 56.5" (48LPR)	3
16	301142	WLDMT-TOP APRON SHAFT 56MM 5/8 ROD 5.5"	1
17	301229	SPROCKET-SPLIT 56MM 14T CB 5.5" SHAFT	6
18	1011620	NUT-HEX: .75 NC GR2 ZP	8
19	63414	DISC-SPLIT COUNTER BORED	6
20	301240	WLDMT-UPPER FILLER 5.5" SHAFT WIDE	2
21	301531	WLDMT-LOWER FILLER 4" SHAFT WIDE	2
22	301241	CLAMP-FILLER 5.5" SHAFT WIDE PAINTED	2
23	1016999	NUT-TOPLOCK: .38 NC GR5 ZP	80
24	301533	CLAMP-FILLER 4" SHAFT WIDE PAINTED	2
25	64991	BOLT-HEX: .38 X 1.25 NC GR8 ZP	8
26	64440	WLDMT-BOTTOM APRON SHAFT 6R30 56.5"	1
27	1011603	BOLT-HEX: .38 X 1.75 NC GR5 ZP	72
28	1011828	WASHER-FLAT .38 ZP	8
29	300146	SHIM-BEARING .120 THK	AR

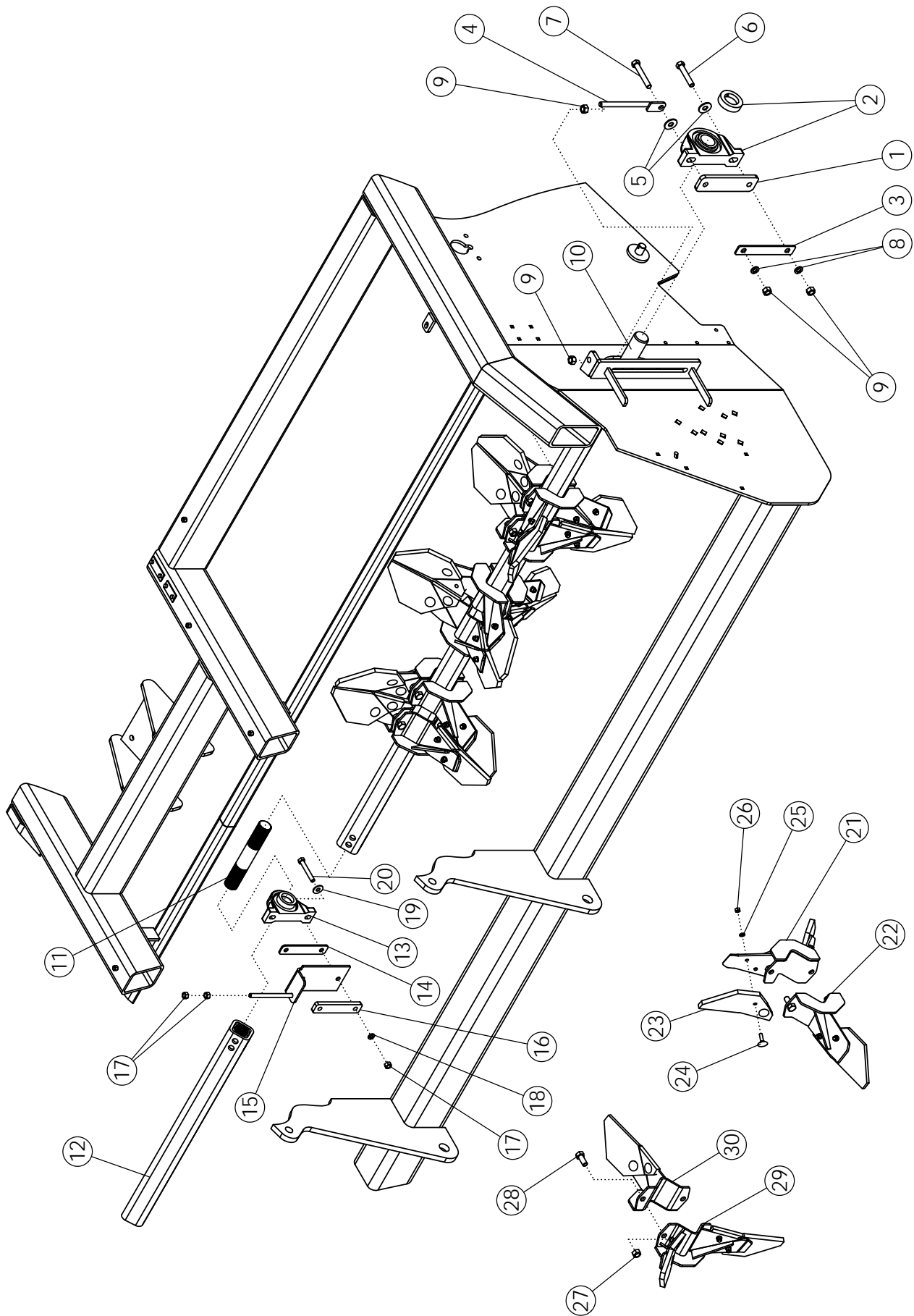
*INCLUDED IN ITEM 30



APRON SHAFT - HOOK CHAIN 56.5"

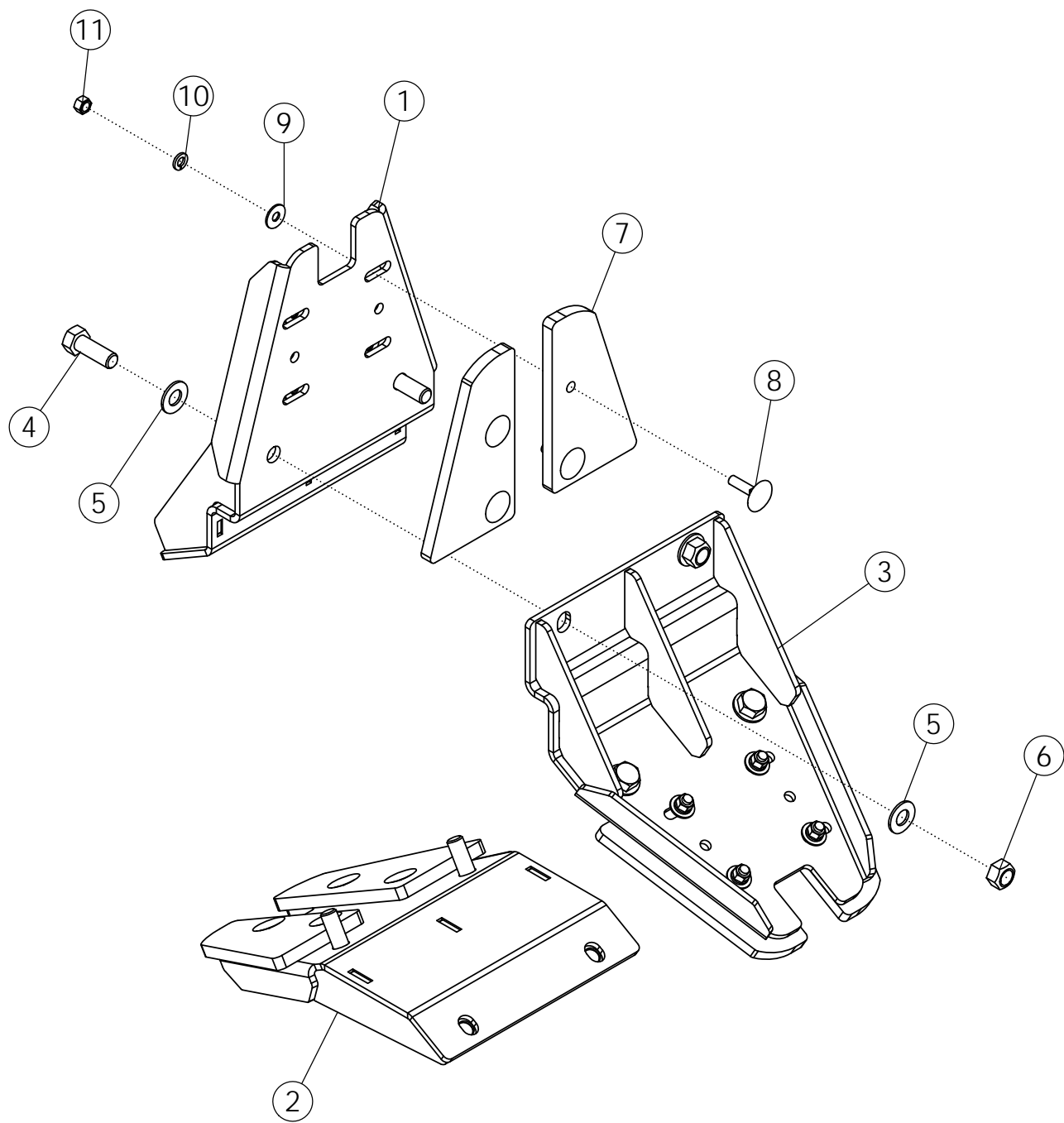
ITEM	PART NO.	DESCRIPTION	QTY
1	56693	WLDMT-ARM RH	1
2	56698	WLDMT-SLIDE RH	1
3	52405	BEARING-PILLOW 1.75	4
4	56692	WLDMT-ARML LH	1
5	56697	WLDMT-SLIDE LH	1
6	56672	SHIM-BEARING ZP	AR
7	69247	ASSY-APRON SHFT TOP 6R30 56.5 CHAIN	1
8	64440	WLDMT-BOTTOM APRON SHAFT 6R30 56.5"	1
9	52382	SEAL PROTECTOR 1.75	2
10	1014443	WASHER-FLAT: .50 ZP	16
11	1029104	BOLT-HEX: .50 X 3.75 NC GR5 ZP	4
12	1011611	BOLT-HEX: .50 X 3.00 NC GR5 ZP	4
13	1027461	NUT-TOPLOCK: .50 NC GR5 ZP	8
14	1020685	WASHER-FLAT: 1.00	4
15	56718	ROD-THREADED ZP	2
16	1016944	PIN-COTTER: .25 X 2.00 ZP	4
17	1011620	NUT-HEX: .75 NC GR2 ZP	8
18	64154	SPROCKET-HALF 2.38 ZP (ROCK)	12
19	64162	WLDMT-UPPER FILLER 4" SHAFT STD	2
20	64161	WLDMT-LOWER FILLER 4" SHAFT STD	2
21	58322	HALF-DISC ZP	12
22	1011603	BOLT-HEX: .38 X 1.75 NC GR5 ZP	36
23	1016999	NUT-TOPLOCK .38 NC GR5 ZP	80
24	64159	CLAMP-FILLER 4" SHAFT STD PAINTED	4
25	64991	BOLT-HEX: .38 X 1.25 NC GR8 ZP	8
26	64438	CHAIN 5/8 X 56.5 X 2.38	6
27	1011828	WASHER-FLAT: .38 ZP	8
28	69245*	CLAMP-APRON	12
29	69246*	BOLT-HEX: .63 X 4.75 NC GR8 ZP	12
30	66498*	WASHER-FLAT: SAE .63 GR8 ZP	24
31	66500*	NUT-HEX: .63NC GR8 ZP	12
32	1019828	BOLT-HEX: .38 X 2.75 NC GR5 ZP	36
33	300146	SHIM-BEARING .120 THK	AR

*INCLUDED IN ITEM 7



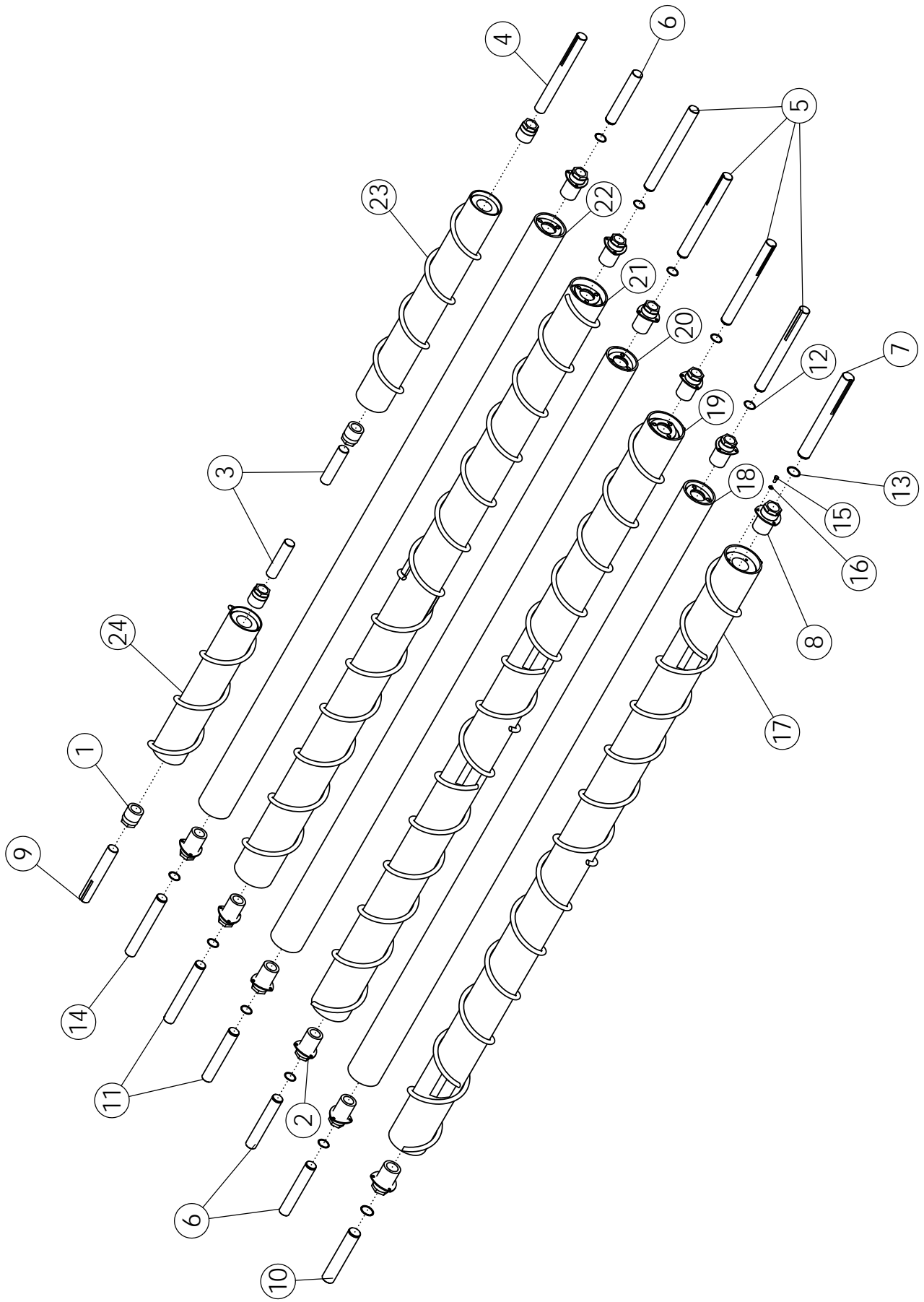
PADDLE SHAFT

ITEM	PART NO.	DESCRIPTION	QTY
1	57996	SHIM-BEARING	2
2	57997	BEARING-PILLOW 2"	2
3	57998	PLATE-BACKING	2
4	51365	TIGHTENER BOLT	2
5	1013024	WASHER-FLAT: .63 ZP	4
6	1014000	BOLT-HEX: .63 X 3.50 NC GR5 ZP	2
7	1016726	BOLT-HEX: .63 X 4.00 NC GR5 ZP	2
8	1011813	WASHER-LOCK: .63 ZP	4
9	1011578	NUT-HEX: .63 NC GR2 ZP	8
10	58027	WLDMT-PADDLE SHAFT LH	1
11	57196	SHAFT-STUB #7	1
12	58028	WLDMT-PADDLE SHAFT RH	1
13	52405	BEARING-PILLOW 1-3/4"	1
14	50564	PLATE	1
15	56737	WLDMT-ROD ZP	1
16	50305	SPACER-BEARING	1
17	1011577	NUT-HEX: .50 NC GR2 ZP	4
18	1011581	WASHER-LOCK: .50 ZP	2
19	1014443	WASHER-FLAT: .50 ZP	2
20	1011612	BOLT-HEX: .50 X 3.50 GR5 ZP	2
21	50719	WLDMT - PADDLE DOUBLE LH	6
22	50720	WLDMT - PADDLE SINGLE LH	6
23	51562	PADDLE-RUBBER	36
24	1030779	BOLT-ELEVATOR:.38 X 1.50 NC ZP	72
25	1011586	WASHER-LOCK: .38 ZP	72
26	1011576	NUT-HEX: .38 NC GR2 ZP	72
27	1016595	NUT-TOPLOCK: .63 NC GR5 ZP	24
28	1014349	BOLT-HEX: .63 X 1.50 NC GR5 ZP	24
29	50722	WLDMT - PADDLE DOUBLE RH	6
30	50721	WLDMT - PADDLE SINGLE RH	6



PLASTIC PADDLE ASSEMBLY (OPTIONAL)

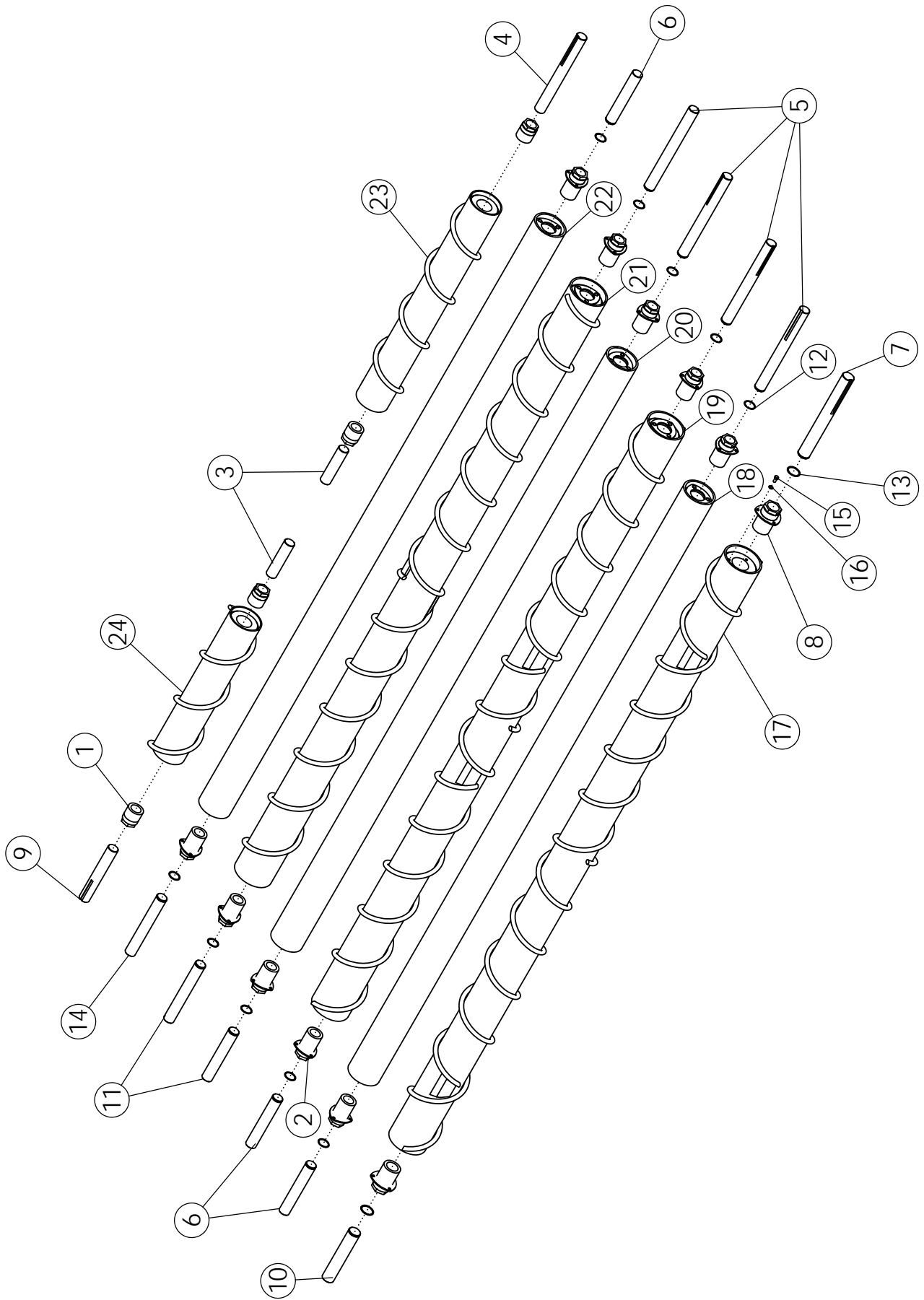
ITEM	PART NO.	DESCRIPTION	QTY
1	69639	WLDMT-PADDLE 1	1
2	69642	WLDMT-PADDLE 2	1
3	69645	WLDMT-PADDLE 3	1
4	1013918	BOLT-HEX .63 X 1.750 NC GR5 ZP	6
5	1013004	WASHER-FLAT: SAE .63 ZP	12
6	1016595	NUT-TOPLOCK: .63 NC GR5 ZP	6
7	69398	PADDLE-PLASTIC	6
8	1030779	BOLT-ELEVATOR:.38 X 1.50 NC ZP	12
9	1011828	WASHER-FLAT .38 ZP	12
10	1011586	WASHER-LOCK: .38 ZP	12
11	1011576	NUT-HEX: .38 NC GR2 ZP	12



CLEANING ROLLS

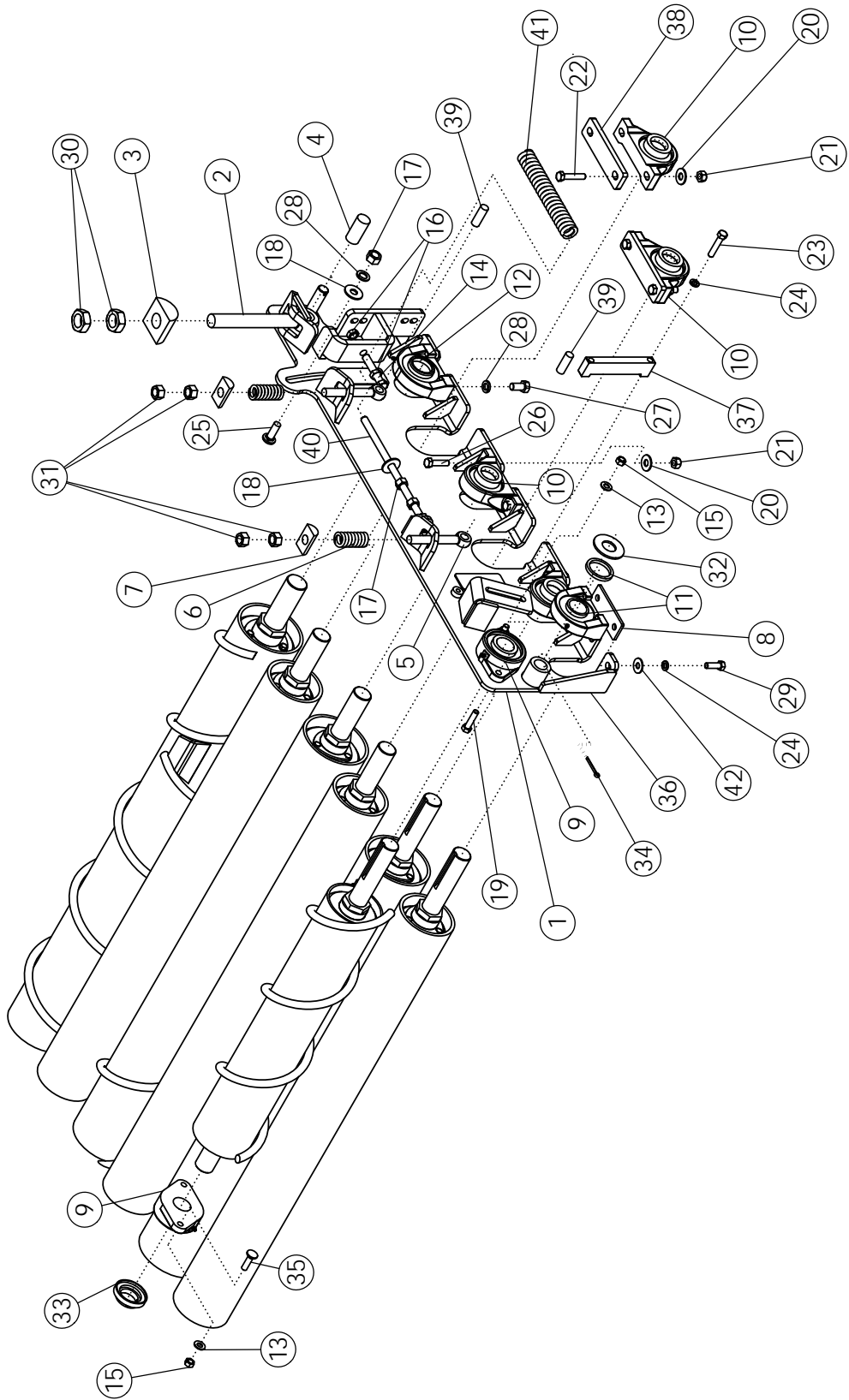
ITEM	PART NO.	DESCRIPTION	QTY
<u>PARTS COMMON TO ALL ROLLS</u>			
1	58459	HUB-TRANTORQUE 1.75	4
2	64163	HUB-TRANTORQUE 1.75 X 3.38	10
3	59471	SHAFT-STUB-#7 ROLL-RH, LH-IDLER	2
4	58759	SHAFT-#7 LH ROLL-DRIVE END	1
5	64177	SHAFT-DRIVE #2,3,4,5	4
6	64179	SHAFT-IDLER #2,3,4,6	3
7	64181	SHAFT-#1 DRIVE END	1
8	64165	HUB-TRANTORQUE 2.00 X 3.38	2
9	58761	SHAFT-#7 RH ROLL-DRIVE END	1
10	64182	SHAFT-#1 IDLER END	1
11	64180	SHAFT-REVERSE #4 RH	2
12	64184	RING-RETAINING 1.75	10
13	64185	RING-RETAINING 2.00	2
14	64178	SHAFT-#5,6	1
15	1011599	BOLT-HEX: .38 X .75 NC GR5 ZP	36
16	1011586	WASHER-LOCK: .38 ZP	36
<u>NUMBER ONE ROLL (COMPLETE)</u>			
17	58999	ROLL-SPIRAL-STANDARD	1
	59011	ROLL-SPIRAL-POLY COATED	
	58966	ROLL-SPIRAL-HARDENED	
<u>NUMBER TWO ROLL (COMPLETE)</u>			
18	58969	ROLL-5.5" SMOOTH-STANDARD	1
	59016	ROLL-5" SMOOTH-POLY COATED	
<u>NUMBER THREE ROLL (COMPLETE)</u>			
19	59000	ROLL-SPIRAL-STANDARD	1
	59013	ROLL-SPIRAL-POLY COATED	
	58977	ROLL-SPIRAL-HARDENED	

CONTINUED



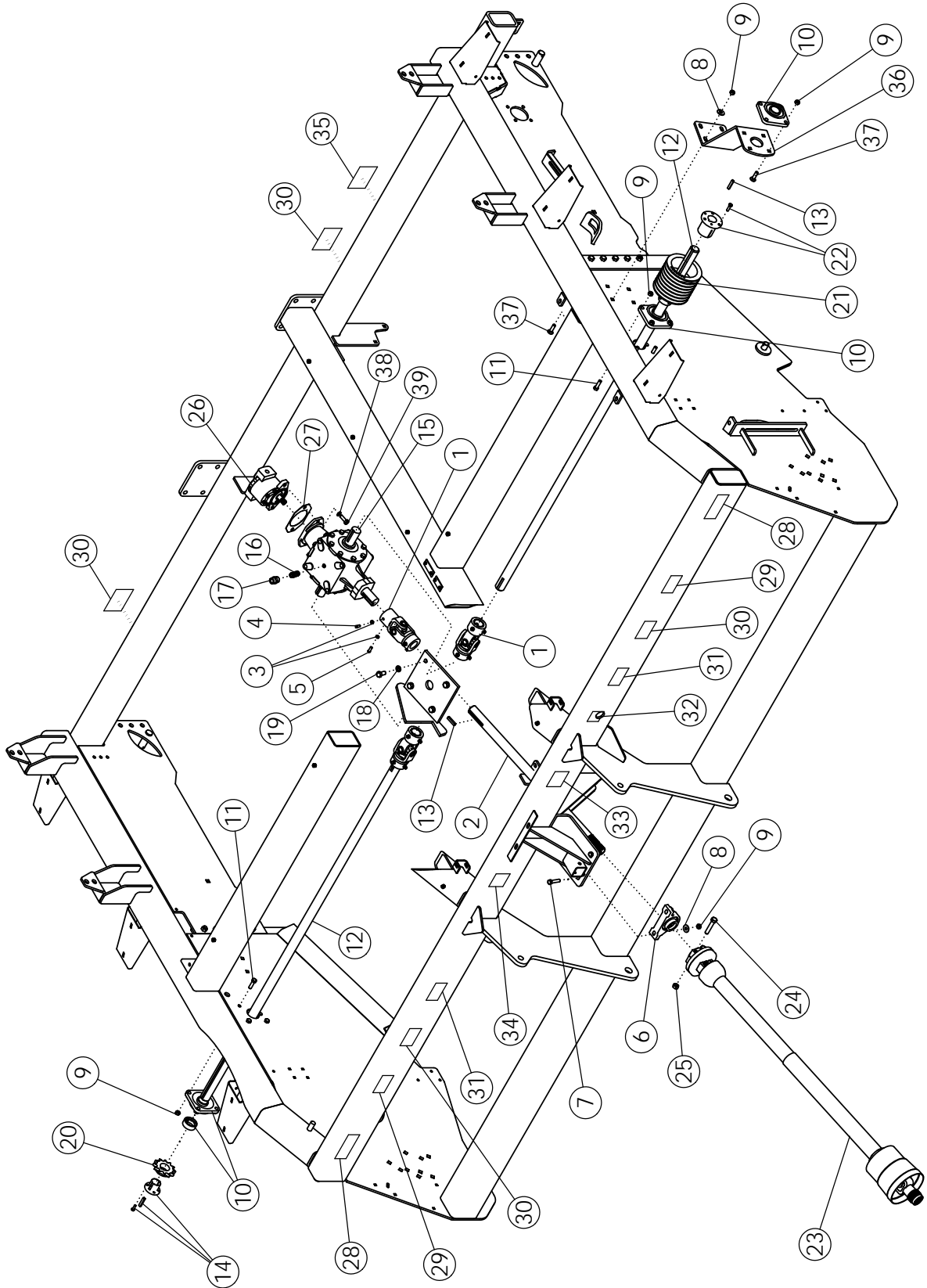
CLEANING ROLLS (CONTINUED)

ITEM	PART NO.	DESCRIPTION	QTY
<u>NUMBER FOUR ROLL (COMPLETE)</u>			
20	62764	ROLL-5.5" SMOOTH-STANDARD	1
	62765	ROLL-5" SMOOTH-POLY COATED	
<u>NUMBER FIVE ROLL (COMPLETE)</u>			
21	59001	ROLL-SPIRAL-STANDARD	1
	59015	ROLL-SPIRAL-POLY COATED	
	58992	ROLL-SPIRAL-HARDENED	
<u>NUMBER SIX ROLL (COMPLETE)</u>			
22	58989	ROLL-5.5" SMOOTH-STANDARD	1
	59017	ROLL-SPIRAL-POLY COATED	
<u>NUMBER SEVEN ROLL - - LEFT HAND (COMPLETE)</u>			
23	62193	ROLL-SPIRAL-POLY	1
	59535	ROLL-SPIRAL	
<u>NUMBER SEVEN ROLL - - RIGHT HAND (COMPLETE)</u>			
24	62195	ROLL-SPIRAL-POLY	1
	59536	ROLL-SPIRAL	



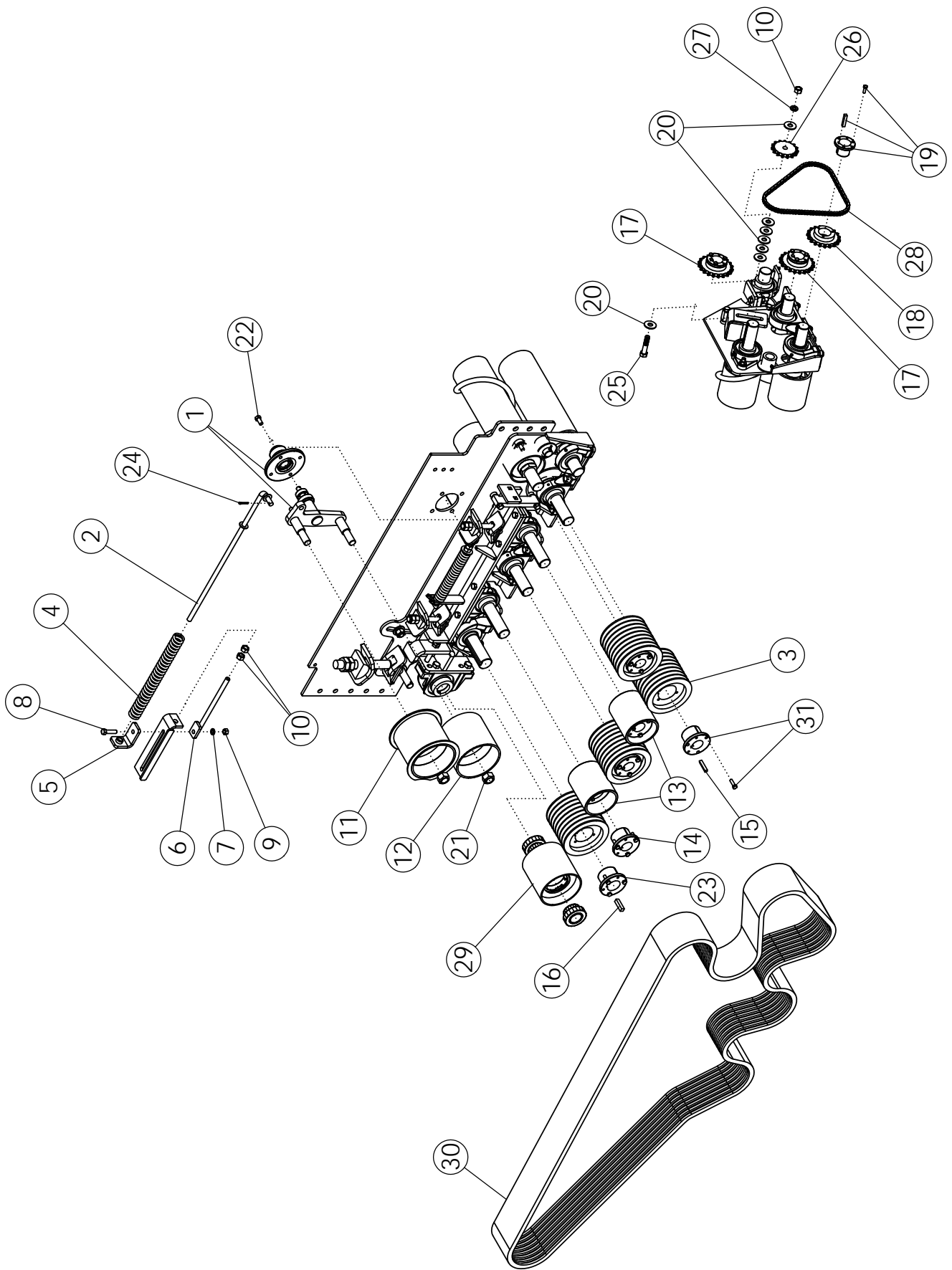
CLEANING ROLL MOUNTING PACKAGE

ITEM	PART NO.	DESCRIPTION	QTY
1	58907	WLDMT-MOUNT RH	1
	58906	WLDMT-MOUNT LH (NOT SHOWN)	1
2	56813	BOLT-EYEBOLT: 1.25 X 10.5 ZP	2
3	56679	HALF ROUND 3.0" ZP	2
4	56676	ROD ZP	2
5	56814	BOLT-EYEBOLT: .75 X 6.00 ZP	4
6	57877	SPRING 3.00" (RIGHT SIDE ONLY)	2
7	56680	HALF ROUND 1.50" ZP	4
8	57992	SHIM-BEARING	2
9	62134	BEARING-FLANGE 1-3/4"	4
10	52405	BEARING-PILLOW 1-3/4"	8
	64466	PILLOW BLOCK BEARING 1-3/4" STL (ROCK ONLY)	
11	62135	BEARING 1.750 TAPPED BASE	2
	301608	ASSY-STEEL TAPPED BASE BRG 1-3/4"(ROCK ONLY)	
12	62136	BEARING 2.000 TAPPED BASE	2
	305523	ASSY-STL TAPPED BASE BRG 2.00" (ROCK ONLY)	
13	1011584	WASHER-FLAT: SAE .50 ZP	4
14	1032273	BOLT-TAP: .63 X 3.50 NC GR5 ZP	2
15	1027461	NUT-TOPLOCK: .50 NC GR5 ZP	8
16	1026259	NUT-JAM: .63 NC GR2 ZP	4
17	1011578	NUT-HEX: .63 NC GR2 ZP	8
18	1013024	WASHER-FLAT: .63 ZP	4
19	1011609	BOLT-HEX: .50 X 2.00 NC GR5 ZP	4
20	59104	WASHER-FLAT: .56 GR8 ZP	16
21	59105	NUT-TOPLOCK: .56 NC GR8 ZP	16
22	59103	BOLT-HEX: .56 X 2.50 NC GR8 ZP	8
23	1011610	BOLT-HEX: .50 X 2.50 NC GR5 ZP	4
24	1011581	WASHER-LOCK: .50 ZP	8
25	58635	BOLT-CRG: .63 X 2.00 NC GR5 ZP	2
26	59102	BOLT-HEX: .56 X 2.00 NC GR8 ZP	8
27	1032509	BOLT-HEX: .63 X 1.25 NC GR5 ZP	4
28	1011813	WASHER-LOCK: .63 ZP	6
29	1011607	BOLT-HEX: .50 X 1.50 NC GR5 ZP	4
30	62511	NUT-JAM: 1.25 NC GR2 ZP	4
31	1011620	NUT-HEX: .75 NC GR2 ZP	8
32	1013431	WASHER-FLAT: 1.25 ZP	2
33	52383	LOCK PROTECTOR 1-3/4"	2
34	1016727	PIN-COTTER: .25 X 2.50 NP	2
35	59517	BOLT-CRG: .50 X 1.75 NC GR5 ZP	4
36	56682	WLDMT-SLIDE MOUNT RH	1
	56681	WLDMT-SLIDE MOUNT LH (NOT SHOWN)	1
37	56677	WLDMT-HOLDER	2
38	57792	SHIM-BEARING	4
39	56675	ROD ZP	4
40	56815	WLDMT-BOLT & NUT ZP	2
41	57878	SPRING 10"	2
42	1014443	WASHER-FLAT: .50 ZP	4



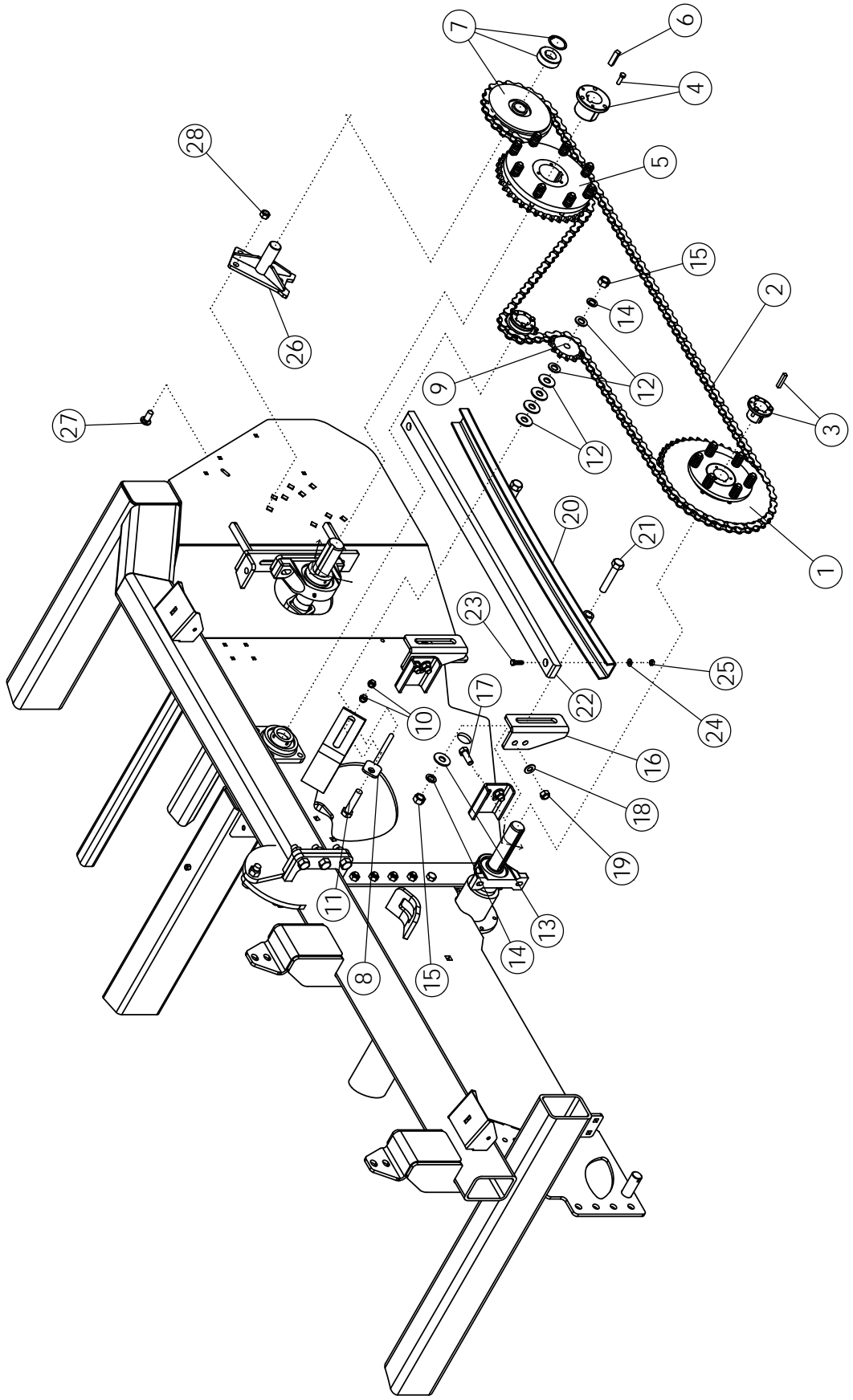
MAIN DRIVE: ONBOARD OPTION

ITEM	PART NO.	DESCRIPTION	QTY
1	53642	U-JOINT	3
2	56775	SPLINE SHAFT	1
3	1013519	NUT-JAM: .38 NC GR2 ZP	12
4	1030708	SCREW-SET: C-P .38 X .75 NC GR8	6
5	1030709	SCREW-SET: C-P .38 X 1.00 NC GR8	6
6	52405	BEARING-PILLOW 1.75	1
7	1017708	BOLT-HEX: .50 X 2.25 NC GR5 ZP	2
8	1014443	WASHER-FLAT: .50 ZP	6
9	1027461	NUT-TOPLOCK: .50 NC GR5 ZP	18
10	52404	BEARING-FLANGE 1.75	3
11	1011608	BOLT-HEX: .50 X 1.75 NC GR5 ZP	8
12	56759	SHAFT-DRIVE 8R	2
13	50152	KEY .38 X .38 X 2.00	10
14	53641	HUB P1 1.75 (WITH KEY)	1
15	62396	GEARBOX-PRAIRIE (1.81:1) PAINTED	1
16	69128	FTG-ADAPTER: 8MP-8MP 4" LONG	1
17	55730	FTG-ADAPTER: 8FP-8FP	1
18	1011813	WASHER-LOCK: .63 ZP	4
19	1032509	BOLT-HEX: .63 X 1.25 NC GR5 ZP	4
20	62034	SPROCKET H80-P12	1
21	57680	SHEAVE 8B62Q	1
	57681	SHEAVE 8B68Q	
	57679	SHEAVE 8B56Q	
22	55123	HUB Q2 1.75	1
23	51481	PTO-CV 1.75" WEASLER (HRV)	1
	51480	PTO-CV 1.38" WEASLER (HRV)	
24	1030704	BOLT-HEX: .63 X 3.25 NC GR5 ZP	2
25	1016595	NUT-TOPLOCK: .63 NC GR5 ZP	2
26	62153	PUMP-HYDRAULIC 5.3	1
	59761	SEAL KIT FOR 62153	
27	63702	PLATE-ADAPTER SAE 'B' PUMP	1
28	64617	DECAL-DANGER	2
29	52334	DECAL-WARNING	2
30	52338	DECAL-DANGER	4
31	52329	DECAL-DANGER	2
32	64616	DECAL-ENGAGE PTO	1
33	62964	DECAL-WARNING	1
34	53747	DECAL-DANGER	1
35	59614	DECAL-CAUTION	1
36	68111	BRACKET-BRACE BEARING	1
37	59517	BOLT-CRG: .50 X 1.75 NC GR5 ZP	8
38	1011581	WASHER-LOCK: .50 ZP	2
39	1011607	BOLT-HEX: .50 X 1.50 NC GR5 ZP	2
40	62873	DECAL-GRABROLL SHEAVES W/1.81:1	1



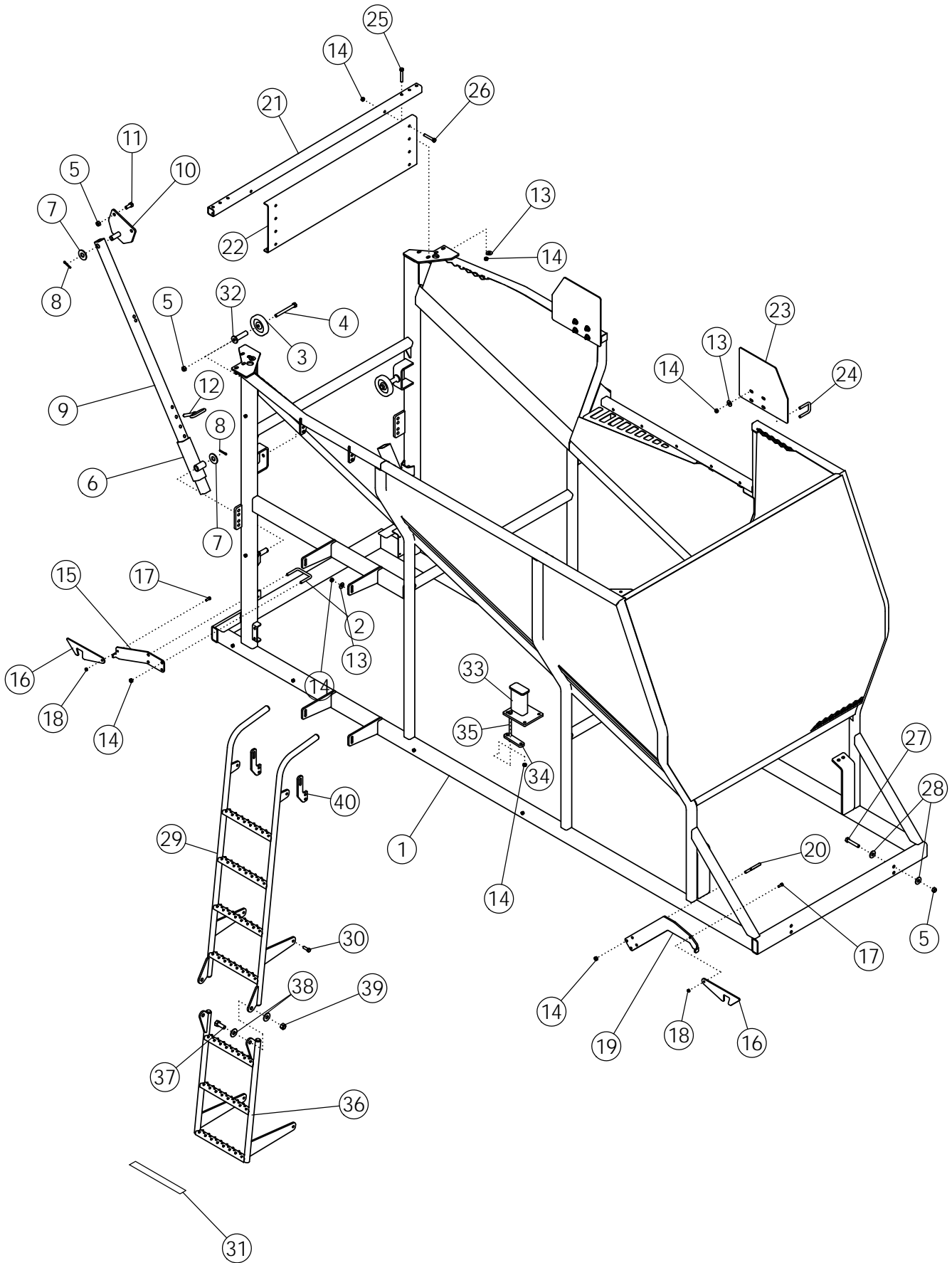
CLEANING ROLL DRIVE

ITEM	PART NO.	DESCRIPTION	QTY
1	56422	ASSY-SPINDLE & HUB	1
2	56711	ROD-PLATED	1
3	57680	SHEAVE 8B62Q	4
4	56853	SPRING	1
5	56708	HOLDER-PLATED	1
6	56707	ADJUSTMENT ROD ZP	1
7	1011581	WASHER-LOCK: .50 ZP	1
8	1011609	BOLT-HEX: .50 X 2.00 NC GR5 ZP	1
9	1011577	NUT-HEX: .50 NC GR2 ZP	1
10	1011578	NUT-HEX: .63 NC GR2 ZP	3
11	58295	WLDMT-IDLER	1
12	56425	TIGHTENER IDLER	1
13	56398	WLDMT-PULLEY 8R	2
14	50335	HUB Q1 1.75	2
15	50152	KEY .38 X .38 X 2.00	5
16	57995	KEY .50 X .50 X 2.00	1
17	53649	SPROCKET H60-P20	2
18	62106	SPROCKET H60-P19	1
19	53641	HUB P1 1.75 (WITH KEY)	3
20	1013024	WASHER-FLAT: .63 ZP	7
21	1016969	NUT-TOPLOCK: 1.00 NC GR5 ZP	2
22	1015558	BOLT-HEX: .50 X 1.00 NF GR5 ZP	4
23	58248	HUB Q2 2.00	1
24	1019827	PIN-COTTER: .19 X 1.00 NP	1
25	1011624	BOLT-HEX: .63 X 3.00 NC GR5 ZP	1
26	53651	7348-2 SPROCKET IDLER	1
27	1011813	WASHER-LOCK: .63 ZP	1
28	58165	CHAIN-ROLLER 60H-1R-052	1
29	56409	ASSY-IDLER PULLEY 8R	1
30	64474	V-BELT 8B195	1
31	55123	HUB Q2 1.75	3



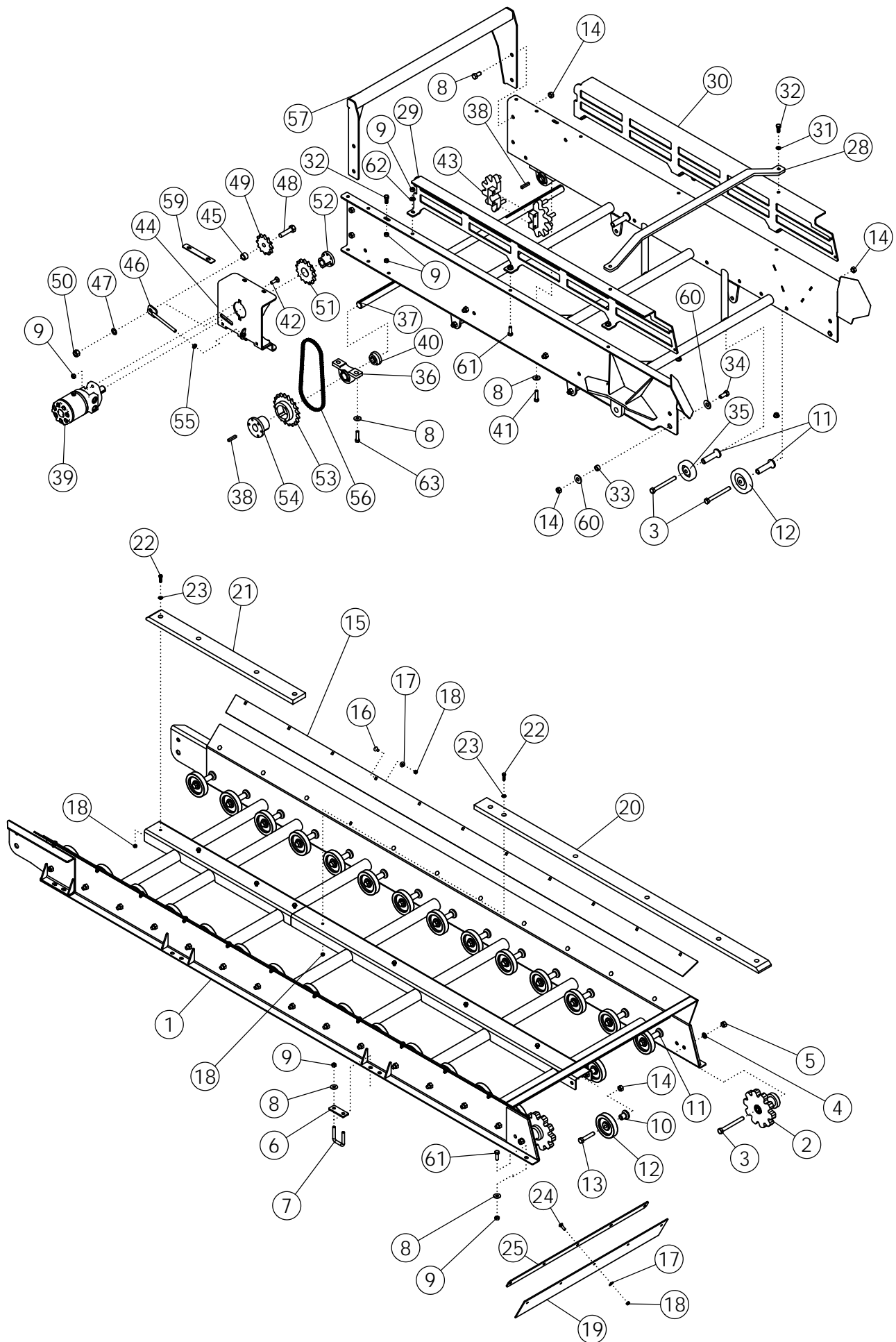
APRON/PADDLE SHAFT DRIVE

ITEM	PART NO.		QTY
1	58335	SPROCKET-CLUTCH 80P45 PRESET	1
2	63578	CHAIN-ROLLER 80H-1R-176	1
3	53641	HUB P1 1.75 (WITH .38 X 2.00 KEY)	1
4	50385	HUB Q1 2.00	1
5	57993	SPROCKET-CLUTCH 80Q36 PRESET	1
	69630	SPROCKET-CLUTCH 80Q51 PRESET (PLASTIC PADDLE)	
6	57995	KEY .50 X .50 X 2.00	1
7	56851	SPROCKET-IDLER H8025 X 1.44	1
8	56864	WLDMT-ADJUSTER	1
9	56334	SPROCKET-IDLER 8012	1
10	1011577	NUT-HEX: .50 NC GR2 ZP	2
11	1032271	BOLT-HEX: .75 X 3.25 NC GR5 ZP	1
12	1012634	WASHER-FLAT: SAE .75 ZP	6
13	1030702	WASHER-FLAT: .75 ZP	2
14	1012061	WASHER-LOCK: .75 ZP	3
15	1011620	NUT-HEX: .75 NC GR5 ZP	3
16	57804	MOUNT	2
17	1013918	BOLT-HEX: .63 X 1.75 NC GR5 ZP	4
18	1013004	WASHER-FLAT: SAE .63 ZP	4
19	1016595	NUT-TOPLOCK: .63 NC GR5 ZP	4
20	57853	WLDMT-SUPPORT	1
21	1011625	BOLT-HEX: .75 X 4.00 NC GR5 ZP	2
22	57827	SLIDE-CHAIN	1
23	1011601	BOLT-HEX: .38 X 1.25 NC GR5 ZP	2
24	1014608	WASHER-FLAT: SAE .38 ZP	2
25	1016999	NUT-TOPLOCK: .38 NC GR5 ZP	2
26	69625	WLDMT-IDLER PADDLE SHAFT	1
27	72063	BOLT-CRG: .63 X 1.50 NC GR5 ZP	3
28	1016595	NUT-TOPLOCK: .63 NC GR5 ZP	3



TANK

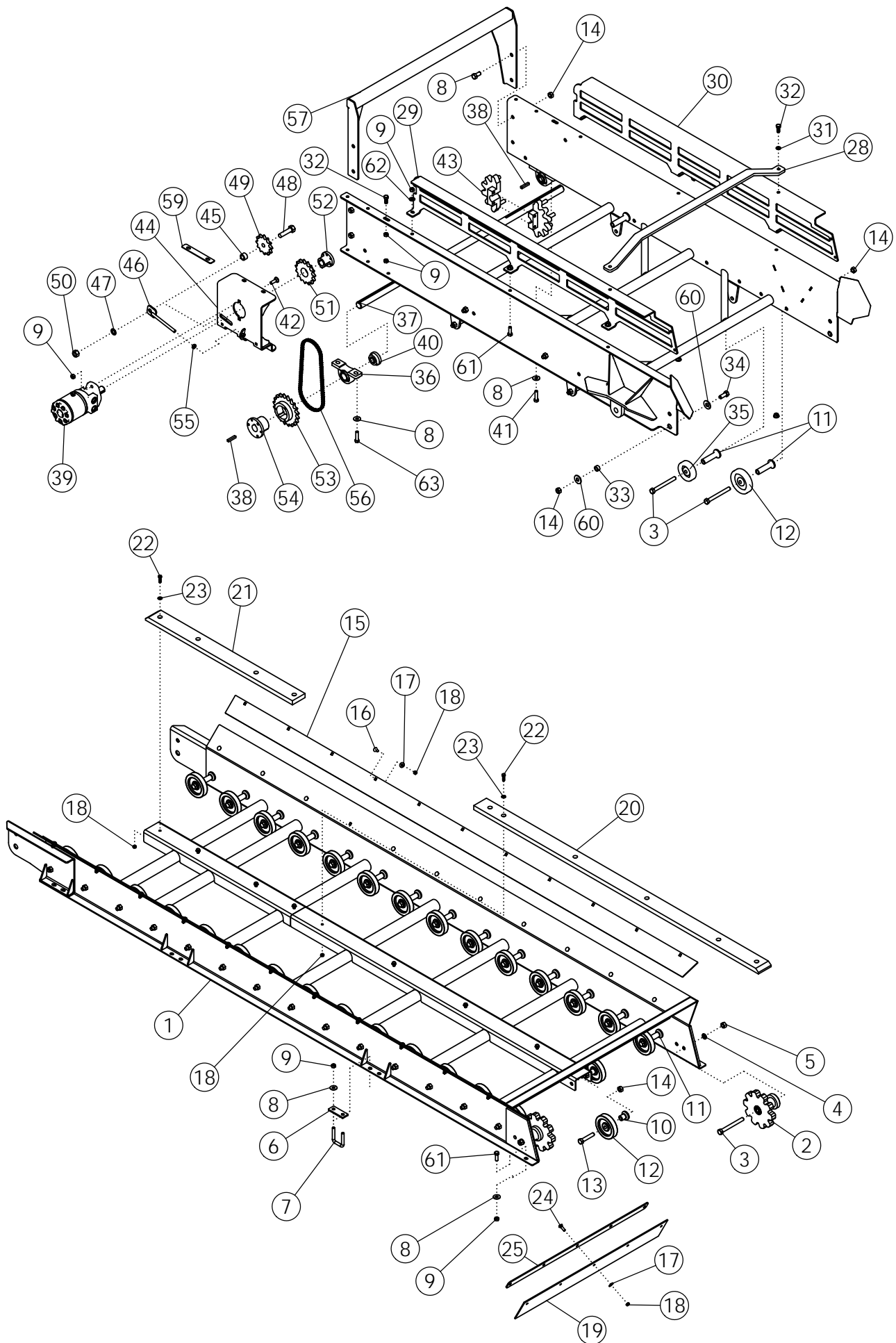
ITEM	PART NO.	DESCRIPTION	QTY
1	69827	WLDMT-TANK WHEEL 8R	1
2	54653	U-BOLT: .50 X 3.25 X 4.00 X 3.25	2
3	53825	BOGIE WHEEL 5"	2
4	1013068	BOLT-HEX: .63 X 6.00 NC GR5 ZP	2
5	1016595	NUT-TOPLOCK: .63 NC GR5 ZP	14
6	54788	WLDMT-LOCK SLIDE	2
7	1020685	WASHER-FLAT: 1.00	4
8	1016944	PIN-COTTER: .25 X 2.00 ZP	4
9	56836	TUBE-LOCK	2
10	54785	WLDMT-LOCK BRACKET	2
11	1014349	BOLT-HEX: .63 X 1.50 NC GR5 ZP	4
12	1030947	PIN-HITCH: .63 X 4.00 ZP W/HAIRPIN	2
13	1014443	WASHER-FLAT: .50 ZP	16
14	1027461	NUT-TOPLOCK: .50 NC GR5 ZP	30
15	64573	LATCH-EXTENSION RH	1
16	51332	LATCH-DOOR	2
17	1011600	BOLT-HEX: .38 X 1.00 NC GR5 ZP	2
18	1016999	NUT-TOPLOCK: .38 NC GR5 ZP	2
19	64957	PLATE-LATCH LH	1
20	65658	U-BOLT: .50 X 3 X 2.06 X 3	2
21	64749	TUBE-STRIKER	1
22	64574	PLATE-STRIKER	1
23	57917	PLATE-EXTENSION	2
24	65658	U-BOLT: .50 X 3 X 2.06 X 3	4
25	1017719	BOLT-HEX: .50 X 3.25 NC GR5 ZP	4
26	1011611	BOLT-HEX: .50 X 3.00 NC GR5 ZP	2
27	1014000	BOLT-HEX: .63 X 3.50 NC GR5 ZP	8
28	1013024	WASHER-FLAT: .63 ZP	16
29	72420	WLDMT-LADDER TOP	1
30	1011607	BOLT-HEX: .50 X 1.50 NC GR5 ZP	4
31	59615	DECAL-REFLECTIVE TAPE	7
32	64192	STAND-OFF 4.00	2
33	301140	WLDMT-HRV TANK SUPPORT 8R	1
34	58204	BAR - BOLTING	2
35	1032525	BOLT-HEX: .50 X 8.00 NC GR5 ZP	4
36	301320	WDLMT-LADDER BOTTOM 3-RUNG	1
37	1012060	BOLT-HEX: .75 X 2.00 NC GR5 ZP	2
38	1030702	WASHER-FLAT: .75 ZP	4
39	1017000	NUT-TOPLOCK: .75 NC GR5 ZP	2
40	301382	PLATE-MONT NARROW	2



ELEVATOR AND BOOM ASSEMBLY 8 ROW

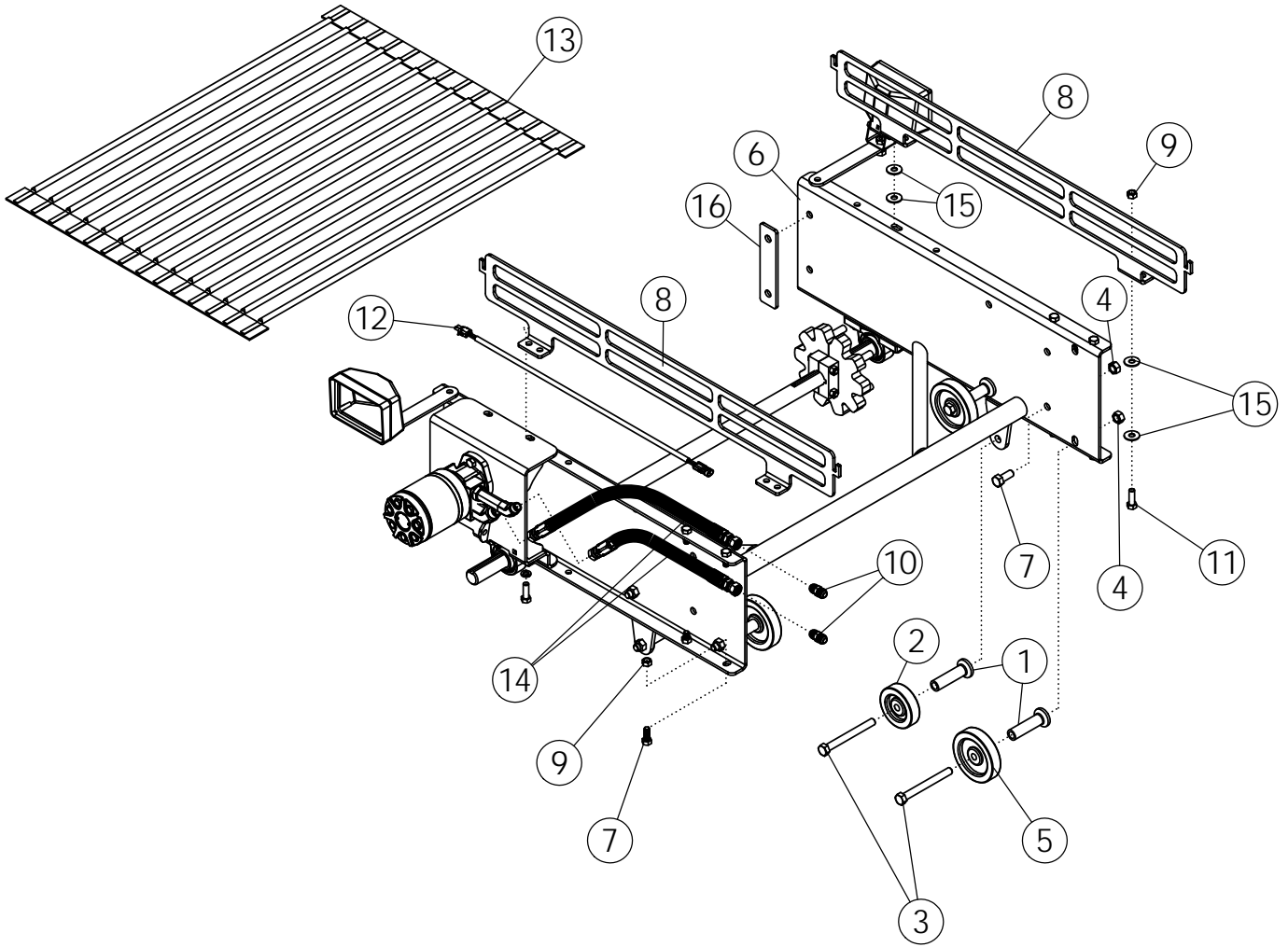
ITEM	PART NO.	DESCRIPTION	QTY
1	301505	WLDMT-ELEVATOR 8R	1
2	63813	SPROCKET-IDLER 50MM 10T	2
	54824	SPROCKET-IDLER 56MM	
3	1013068	BOLT-HEX: .63 X 6.00 NC GR5 ZP	44
4	1011813	WASHER-LOCK: .63 ZP	2
5	1011578	NUT-HEX: .63 NC GR2 ZP	2
6	64748	PLATE-ELEVATOR BACKING	8
7	65658	U-BOLT: .50 X 3 X 2.06 X 3	6
8	1014443	WASHER-FLAT: .50 ZP	25
9	1027461	NUT-TOPLOCK: .50 NC GR5 ZP	30
10	58971	STAND OFF 1.50"	2
11	64192	STAND OFF	42
12	53825	BOGIE WHEEL 5"	40
13	65825	BOLT-HEX: .63 X 3.25 NC GR5 ZP	2
14	1016595	NUT-TOPLOCK: .63 NC GR5 ZP	50
15	64550	SHEET-BELT PROTECTOR	2
16	59488	BOLT-CRG: .38 X 1.00 NC GR5 ZP	28
17	1011828	WASHER-FLAT .38 ZP	33
18	1016999	NUT-TOPLOCK: .38 NC GR5 ZP	43
19	64609	FLAP-ELEVATOR	1
20	69822	SLIDE-ELEVATOR PLASTIC 6R/8R/12R	1
21	301507	SLIDE-ELEVATOR PLASTIC 8R	1
22	1011601	BOLT-HEX: .38 X 1.25 NC GR5 ZP	10
23	1014608	WASHER-FLT: SAE .38 ZP	12
24	1016362	BOLT-CRG: .38 X 1.25 NC GR5 ZP	5
25	64608	STRIP-BOLTING	1
26	68073	BELT-50MM ELEVATOR 8R (NOT SHOWN)	1
	68072	BELT-56MM ELEVATOR 8R (NOT SHOWN)	
	301516	BELT- 56MM ELEVATOR 8R DOUBLE (NOT SHOWN)	
	301517	BELT- 50MM ELEVATOR 8R DOUBLE (NOT SHOWN)	
27	53450	WLDMT-ELEVATOR BOOM 4R/6R/8R	1
28	54803	CROSS BRACE-BOOM	1
29	301525	PLATE-BOOM EXTENSION SHORT FRONT	1
30	301524	PLATE-BOOM EXTENSION SHORT REAR	1
31	1011581	WASHER-LOCK: .50 ZP	2
32	1011606	BOLT-HEX: .50 X 1.25 NC GR5 ZP	4
33	53449	SLEEVE-HINGE	2
34	1014349	BOLT-HEX: .63 X 1.50 NC GR5 ZP	6
35	53854	BOGIE WHEEL 4"	4
36	53708	PILLOW BLOCK BEARING UCP-206-20	2

CONTINUED



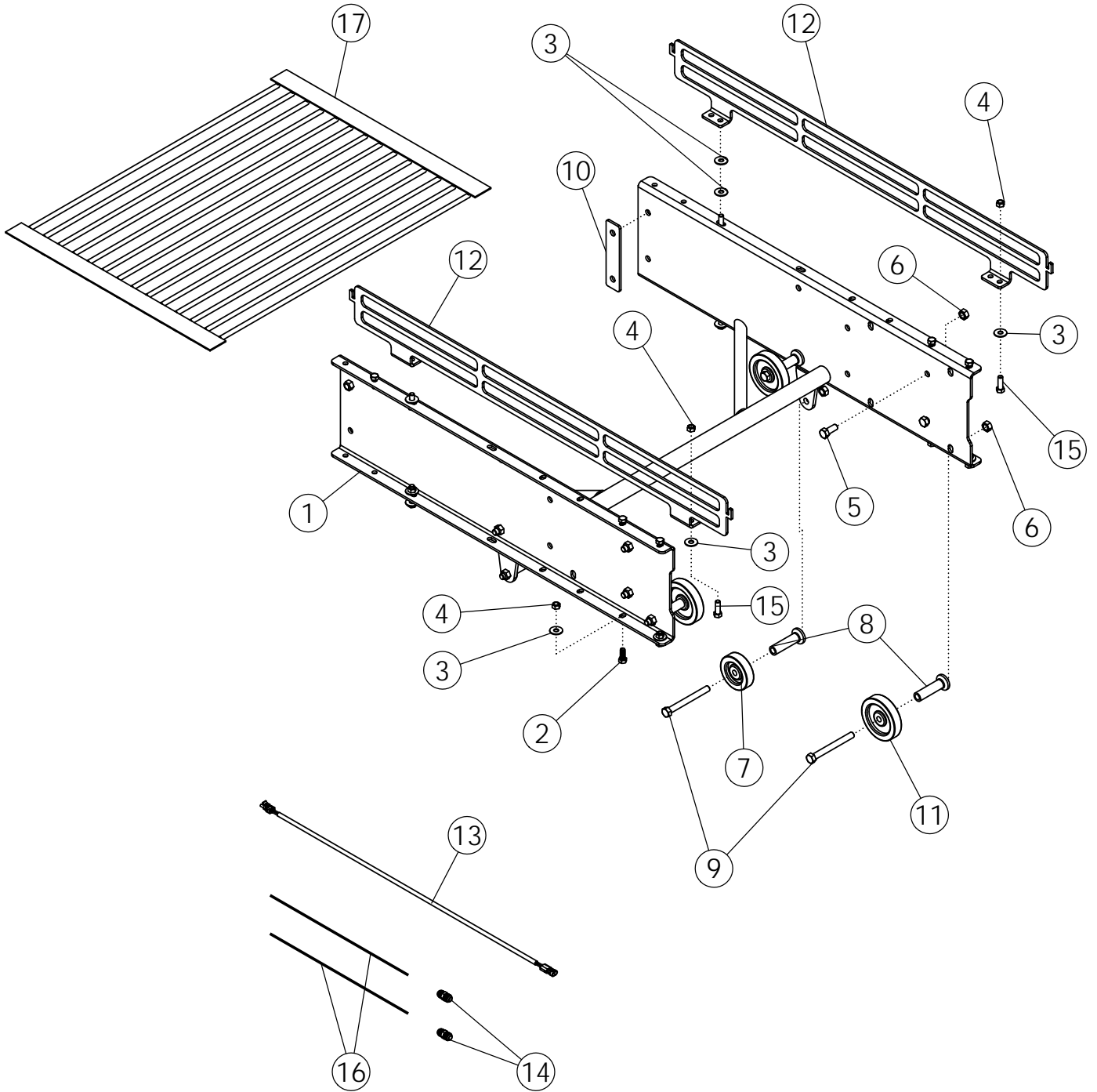
ELEVATOR AND BOOM ASSEMBLY (CONTINUED)

ITEM	PART NO.	DESCRIPTION	QTY
37	68650	SHAFT-HEAD Ø1.750	1
38	50152	KEY .38 X .38 X 2.00	3
39	57686	MOTOR-HYDRAULIC 32.3IN ³ /REV	1
	57880	SEAL KIT FOR 57686	
40	52382	SEAL PROTECTOR 1-3/4"	2
41	1011608	BOLT-HEX: .50 X 1.75 NC GR5 ZP	2
42	1011660	BOLT-CRG: .50 X 1.50 NC GR5 ZP	2
43	68658	SPROCKET-SPLIT 56MM 10T Ø1.750	2
	68659	SPROCKET-SPLIT 50MM 12T Ø1.750	
	301521	SPROCKET-SPLIT 50MM 12T Ø1.750 DOUBLE BELT	
44	64627	WLDMT-REDUCTION MOUNT	1
45	58086	SPACER-CHAIN IDLER ZP	1
46	63876	TENSIONER ZP	1
47	1012061	WASHER-LOCK: .75 ZP	1
48	1012059	BOLT-HEX: .75 X 3.00 NC GR5 ZP	1
49	56334	SPROCKET-IDLER 8012	1
50	1011620	NUT-HEX: .75 NC GR2 ZP	1
51	64155	SPROCKET H80-P15	1
52	53719	HUB P1 1-1/4"	1
53	56650	SPROCKET H80-Q20	1
54	50752	HUB Q1 1-7/16"	1
55	1011591	NUT-JAM: .50 NC ZP	2
56	64654	CHAIN-ROLLER 60H-1R-045	1
	64675	LINK-OFFSET #80H	2
57	64578	WLDMT-BOOM END SUPPORT	1
58	1032509	BOLT-HEX: .63 X 1.25 NC GR5 ZP	4
59	64732	PLATE-SHIM 0.120	1
60	1013024	WASHER-FLAT: .63 ZP	4
61	1011607	BOLT-HEX: .50 X 1.50 NC GR5 ZP	8
62	1011584	WASHER-FLAT: SAE .50 ZP	12
63	1017708	BOLT-HEX: .50 X 2.25 NC GR5 ZP	2



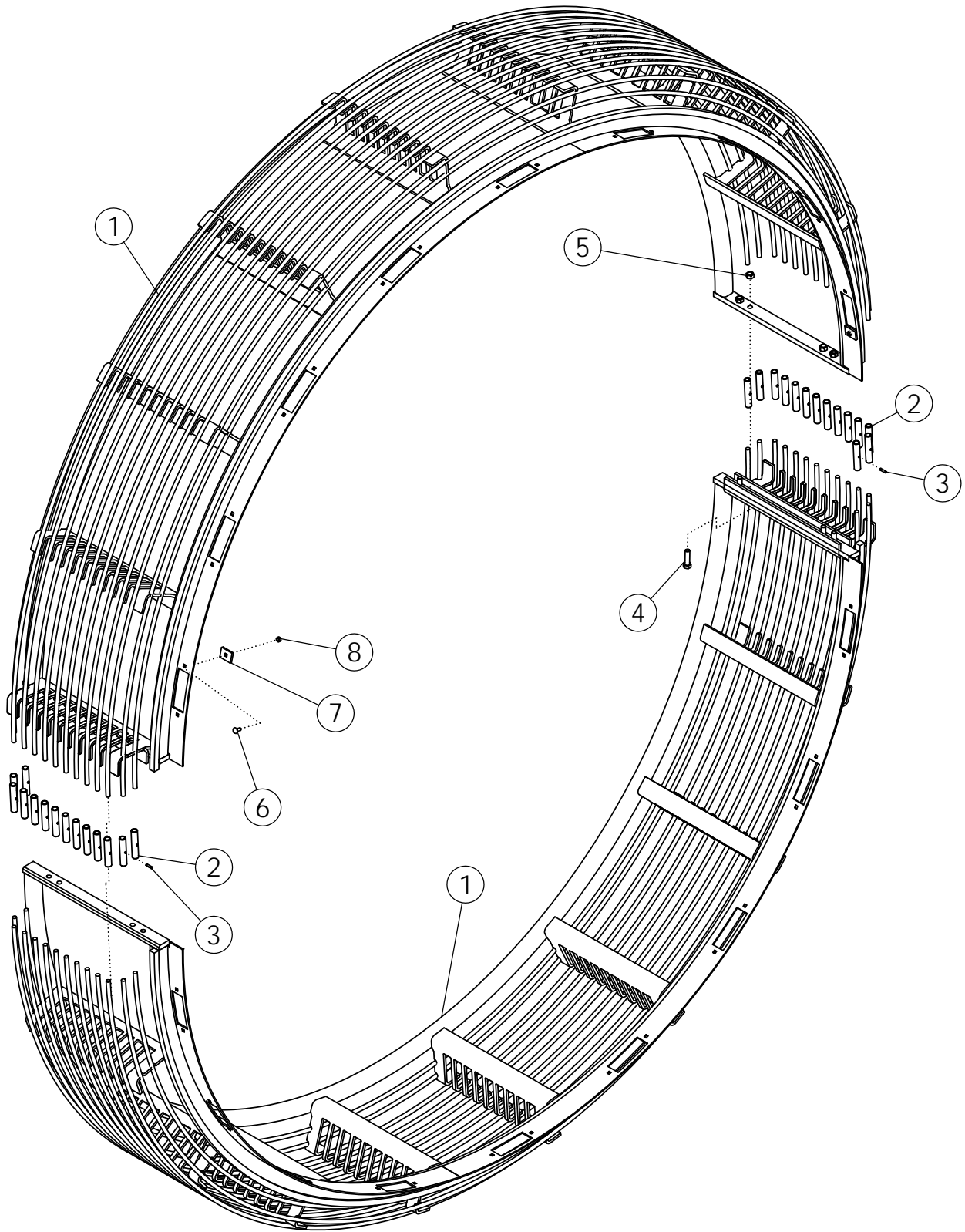
BOOM EXTENSION 50MM/56MM (OPTIONAL)

ITEM	PART NO.	DESCRIPTION	QTY
1	64192	STAND OFF	6
2	53854	BOGIE WHEEL 4"	2
3	1013068	BOLT-HEX: .63 X 6.00 NC GR5 ZP	6
4	1016595	NUT-TOPLOCK: .63 NC GR5 ZP	10
5	53825	BOGIE WHEEL 5"	4
6	68708	WLDMT-BOOM EXTENSION	1
7	1011606	BOLT-HEX: .50 X 1.25 NC GR5 ZP	8
8	58898	WLDMT-BOOM EXT. RAIL	2
9	1027461	NUT-TOPLOCK: .50 NC GR5 ZP	12
10	58194	FTG-ADAPTER: 8MJ-8MJ	2
11	1011607	BOLT-HEX: .50 X 1.50 NC GR5 ZP	4
12	64077	HARNESS-EXTENSION: 32" 2 WIRE	2
13	68077	BELT-50MM: .50 X 42 X 30LPR	1
	68076	BELT-56MM: .50 X 42 X 27LPR	
	301836	BELT-56MM ELEVATOR EXT DOUBLE	
14	57676	HOSE: .50 X 31 8FJX-8FJX	2
15	1014443	WASHER-FLAT: .50 ZP	17
16	68710	PLATE-BOOM SUPPORT SPACER	2
17	1014349	BOLT-HEX: .63 X 1.50 NC GR5 ZP	4



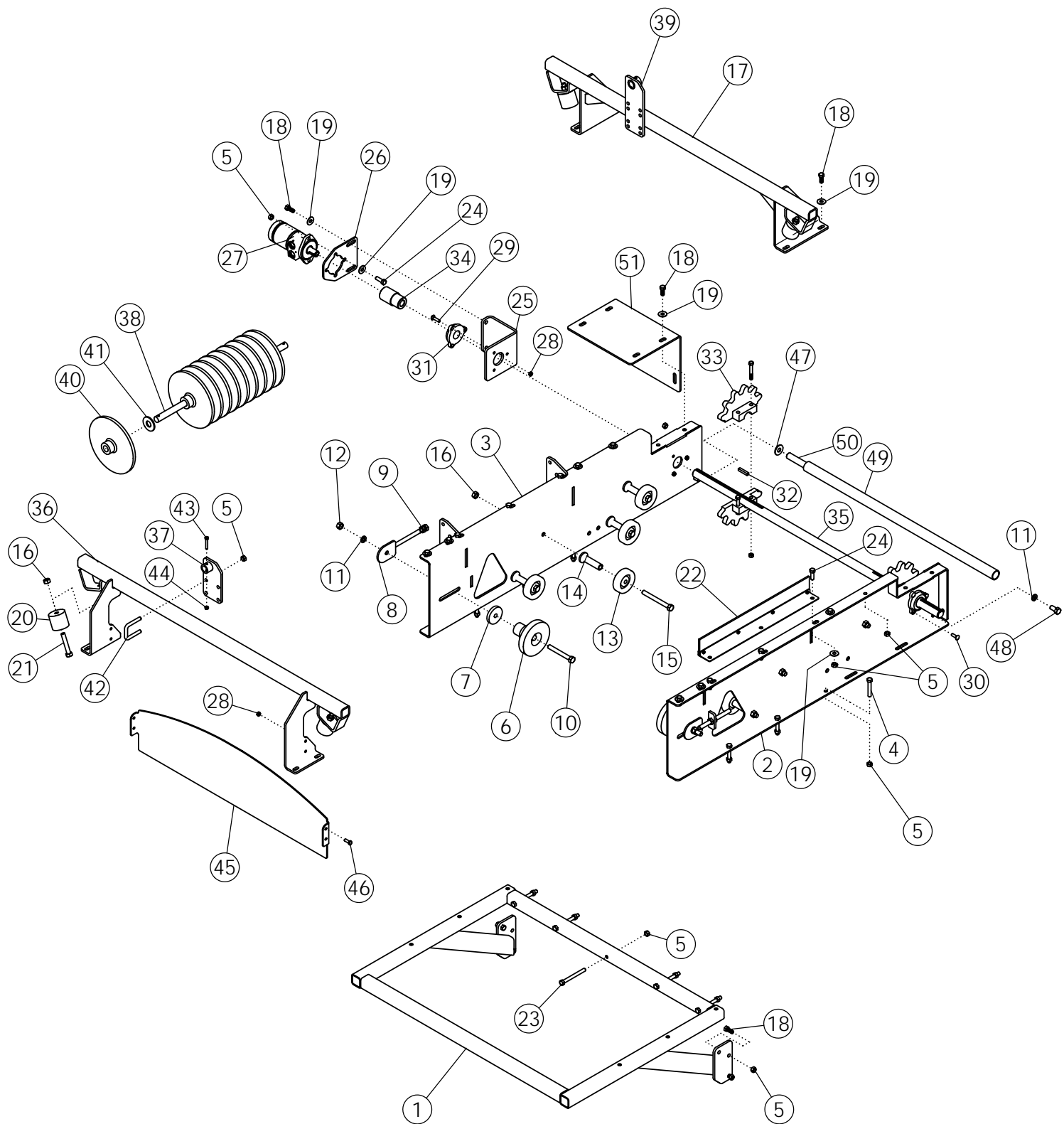
BOOM EXTENSION LONG 56MM (OPTIONAL)

ITEM	PART NO.	DESCRIPTION	QTY
1	301090	WLDMT- BOOM EXTENSION Ø1.75 SHAFT LONG	1
2	1011606	BOLT-HEX: .50 X 1.25 NC GR5 ZP	8
3	1014443	WASHER-FLAT: .50 ZP	17
4	1027461	NUT-TOPLOCK: .50 NC GR5 ZP	12
5	1014349	BOLT-HEX: .63 X 1.50 NC GR5 ZP	4
6	1016595	NUT-TOPLOCK: .63 NC GR5 ZP	10
7	53854	BOGIE WHEEL 4"	2
8	64192	STAND OFF	6
9	1013068	BOLT-HEX: .63 X 6.00 NC GR5 ZP	6
10	68710	PLATE-BOOM SUPPORT SPACER	2
11	53825	BOGIE WHEEL 5"	4
12	301103	PLATE-SCRUB EXTENSION-55.875"	2
13	301104	HARNESS - EXTENSION 44" 2 WIRE	2
14	58194	FTG-ADAPTER: 8MJ-8MJ	2
15	1011607	BOLT-HEX: .50 X 1.50 NC GR5 ZP	4
16	301105	HOSE: .50 X 043 8FJX-8FJX	2
17	301106	BELT-56MM ELEVATOR EXTENSION 38 LPR	1



WHEEL ASSEMBLY

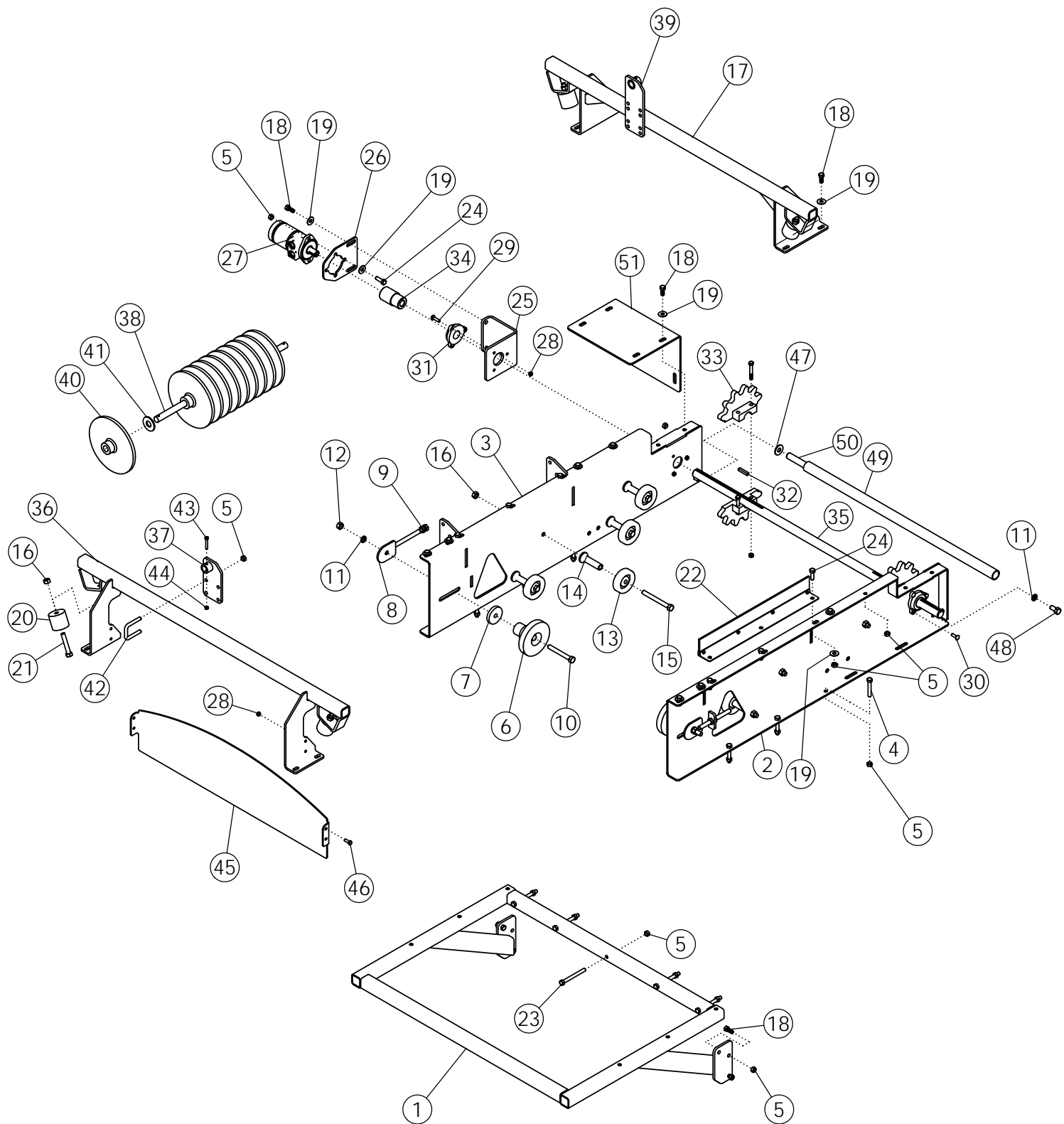
ITEM	PART NO.	DESCRIPTION	QTY
1	58704	WLDMT-WHEEL HALF	2
2	59410	TUBE-COUPLER ZP	28
3	1030795	PIN-ROLL: .25 X 1.00 ZP	28
4	1017526	BOLT-HEX .63 X 2.25 NC GR5 ZP	8
5	1016595	NUT-TOPLOCK: .63 NC GR5 ZP	8
6	59488	BOLT-CRG: .38 X 1.00 NC GR5 ZP	18
7	59485	TAB-WHEEL DRIVE	18
8	1016999	NUT-TOPLOCK: .38 NC GR5 ZP	18



WHEEL CONVEYOR

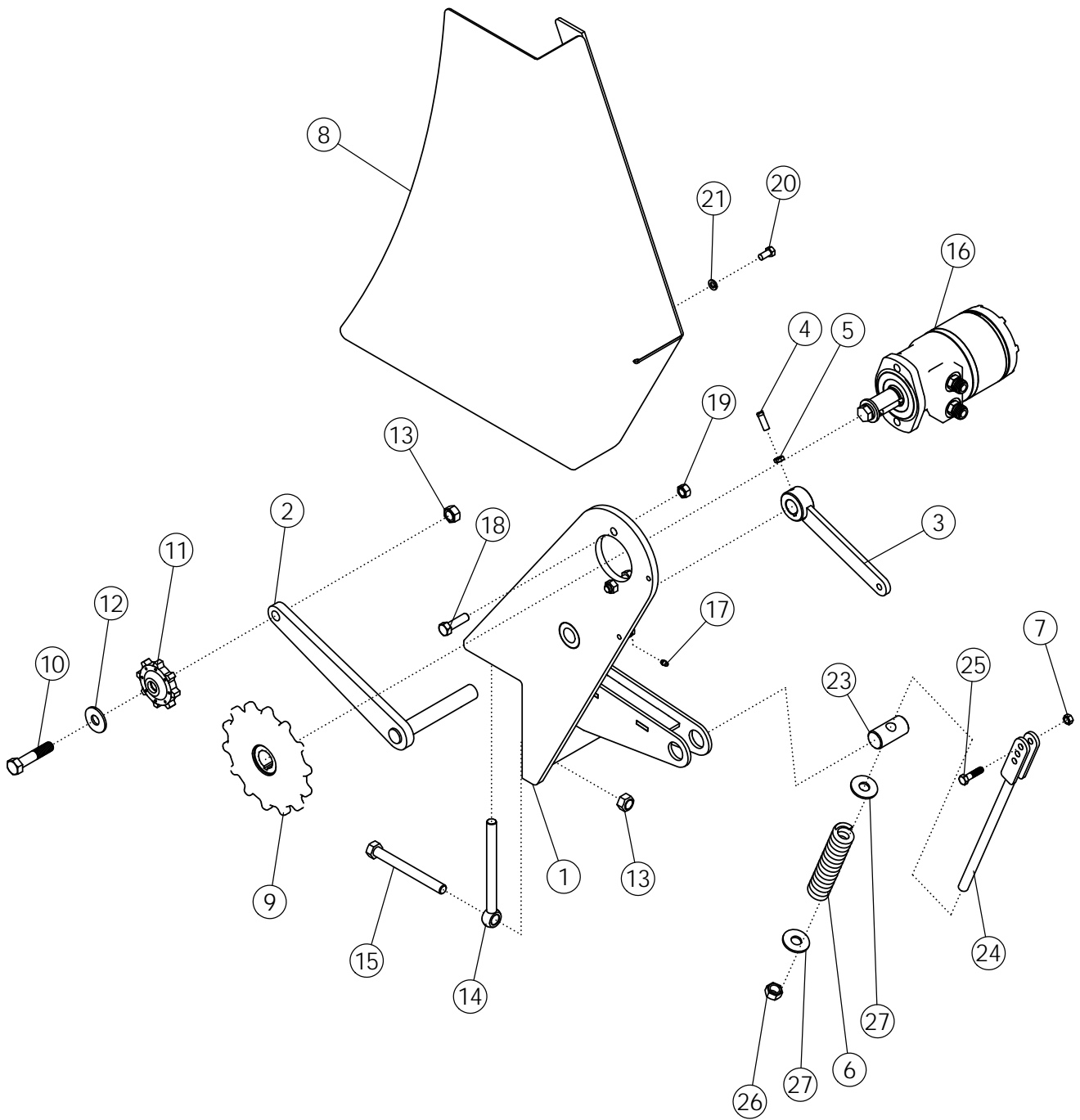
ITEM	PART NO.	DESCRIPTION	QTY
1	58764	WLDMT-CONVEYOR FRAME	1
2	73663	WLDMT-CONVEYOR RH	1
3	73664	WLMDT-CONVEYOR LH	1
4	1011611	BOLT-HEX: .50 X 3.00 NC GR5 ZP	6
5	1027461	NUT-TOPLOCK: .50 NC GR5 ZP	42
6	54042	ROLLER-STEP 6"	2
7	62932	PLATE-SHIM .50 ZP	2
8	59711	TIGHTENER BOLT ZP	2
9	1026259	NUT-JAM: .63 NC GR2 ZP	4
10	1013816	BOLT-HEX: .63 X 5.00 NC GR5 ZP	2
11	1011813	WASHER-LOCK: .63 ZP	4
12	1011578	NUT-HEX: .63 NC GR2 ZP	2
13	53854	BOGIE WHEEL 4"	10
14	64192	STAND OFF	10
15	1013068	BOLT-HEX: .63 X 6.00 NC GR5 ZP	10
16	1016595	NUT-TOPLOCK: .63 NC GR5 ZP	14
17	59695	WLDMT-ROLLER MOUNT FRONT	1
18	1011606	BOLT-HEX: .50 X 1.25 NC GR5 ZP	14
19	1014443	WASHER-FLAT: .50 ZP	19
20	59454	IDLER ROLLER	4
21	1014000	BOLT-HEX: .63 X 3.50 NC GR5 ZP	4
22	301316	ASSY-FLAP CONVEYOR	1
23	1011618	BOLT-HEX: .50 X 5.00 NC GR5 ZP	5
24	1011607	BOLT-HEX: .50 X 1.50 NC GR5 ZP	5
25	62914	BRACKET-MOTOR MOUNT	1
26	57843	PLATE-MOTOR HYDRAULIC	1
27	59449	MOTOR-HYDRAULIC 20 IN ³ /REV	1
	57881	SEAL KIT FOR 59449	
28	1016999	NUT-TOPLOCK: .38 NC GR5 ZP	10
29	58679	BOLT-CRG: .38 X 1.50 NC GR5 ZP	3
30	1016362	BOLT-CRG: .38 X 1.25 NC GR5 ZP	3
31	53662	BEARING-FLANGE 1-7/16"	2
32	50152	KEY .38 X .38 X 2.00	2
33	53712	SPROCKET-SPLIT 45MM	2
34	52867	COUPLING	1
35	53392	SHAFT - DRIVE	1
36	59702	WLDMT-ROLLER MOUNT REAR	1
37	59725	WLDMT-KNOCKOUT BRACKET REAR	1
38	59720	SHAFT-KNOCKOUT WHEEL	1
39	301275	WLDMT-KNOCKOUT BRACKET FRONT	1

CONTINUED



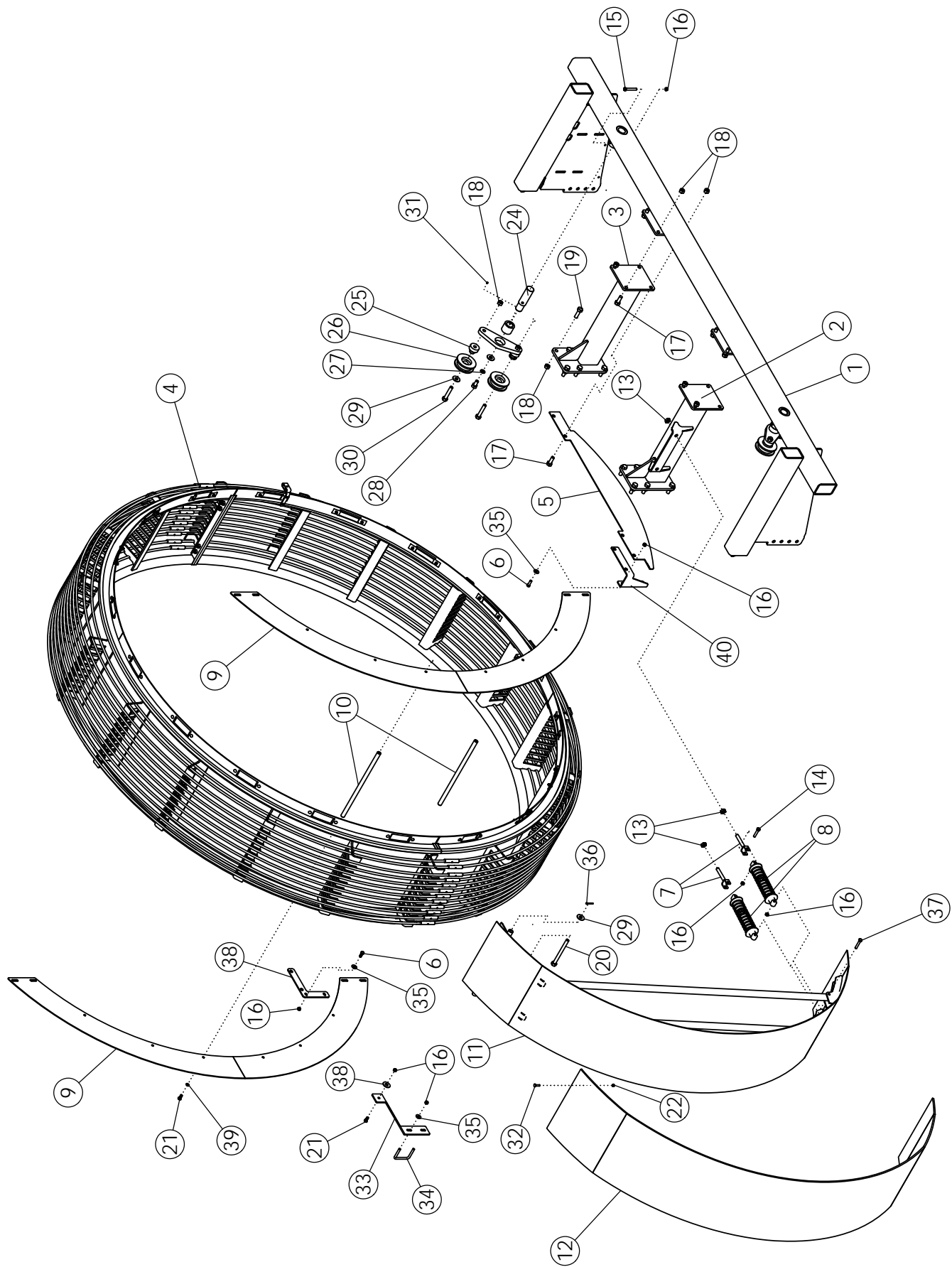
WHEEL CONVEYOR (CONTINUED)

ITEM	PART NO.	DESCRIPTION	QTY
40	52876	KNOCKOUT WHEEL	10
41	1020685	WASHER-FLAT: 1.00	10
42	65658	U-BOLT: .50 X 3 X 2.06 X 3	4
43	1011285	BOLT-HEX: .31 X 2.00 NC	2
44	1030700	NUT-TOPLOCK: .31 NC GR5 ZP	2
45	64918	SHIELD-UPPER	1
46	1011600	BOLT-HEX: .38 X 1.00 NC GR5 ZP	4
47	1013024	WASHER-FLAT: .63 ZP	2
48	1032509	BOLT-HEX: .63 X 1.25 NC GR5 ZP	2
49	56773	PIPE-PLASTIC	1
50	56754	ROD-THREADED	1
51	301326	FLANGE-CONVEYOR EXTENSION SHIELD	2



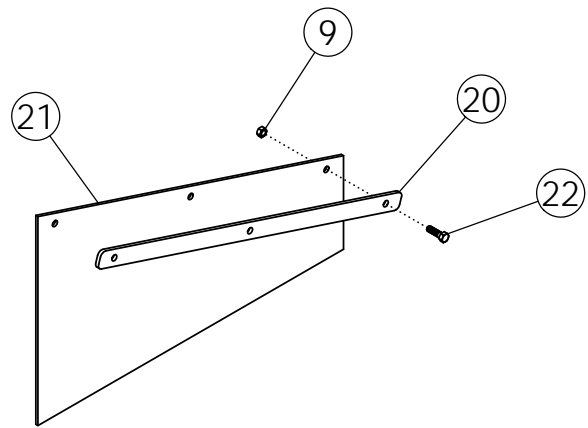
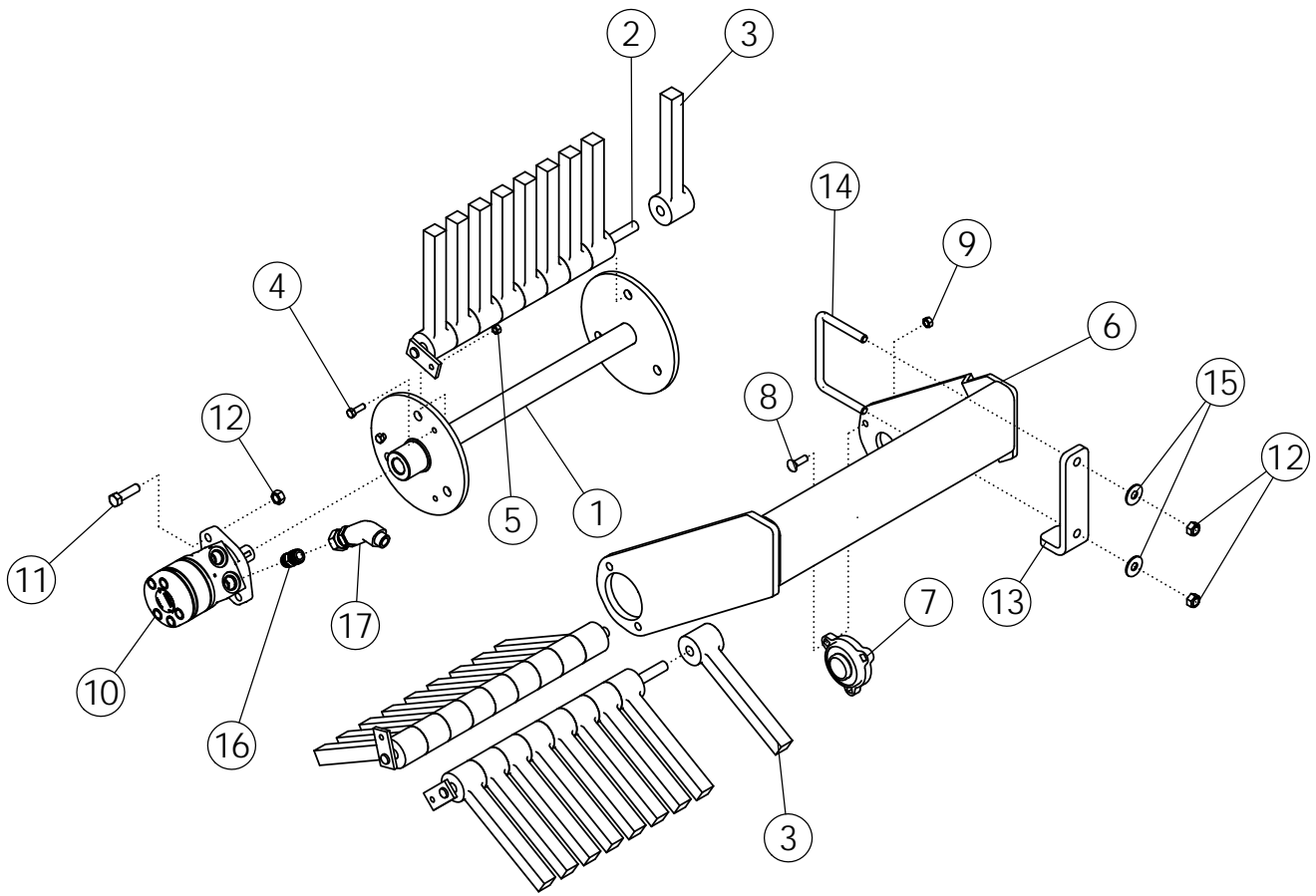
WHEEL DRIVE

ITEM	PART NO.	DESCRIPTION	QTY
1	59618	WLDMT-MOTOR MOUNT	1
2	59624	WLDMT-IDLER ARM	1
3	50718	ARM-ZP	1
4	50813	SCREW-SET: SQ HD .38 X 1.00 ZP	1
5	1013519	NUT-JAM: .38 NC GR2 ZP	1
6	64915	SPRING	1
7	1016999	NUT-TOPLOCK: .38 NC GR5 ZP	1
8	59630	WLDMT-CHAIN GUARD	1
9	59978	WLDMT-DRIVE SPROCKET	1
10	1011624	BOLT-HEX: .63 X 3.00 NC GR5 ZP	1
11	59629	SPROCKET-IDLER	1
12	1013024	WASHER-FLAT: .63 ZP	1
13	1016595	NUT-TOPLOCK: .63 NC GR5 ZP	5
14	53195	EYEBOLT: .63 X 7.50 ZP	2
15	1013068	BOLT-HEX: .63 X 6.00 NC GR5 ZP	2
16	58987	MOTOR-HYDRAULIC 20.6IN ³ /REV	1
	57880	SEAL KIT FOR 58987	
17	1011748	ZERK - GREASE	1
18	1011608	BOLT-HEX: .50 X 1.75 NC GR5 ZP	2
19	1027461	NUT-TOPLOCK: .50 NC GR5 ZP	2
20	1011599	BOLT-HEX: .38 X 0.75 NC GR5 ZP	2
21	1011586	WASHER-LOCK: .38 ZP	2
22	59625	CHAIN-WHEEL DRIVE (NOT SHOWN)	1
23	64914	SHAFT-PIVOT	1
24	64913	SHAFT-ZP	1
25	1011602	BOLT-HEX: .38 X 1.50 NC GR5 ZP	1
26	1013302	NUT-NYLOCK: .63 NC GR2 ZP	1
27	1013004	WASHER-FLAT: SAE .63 ZP	2



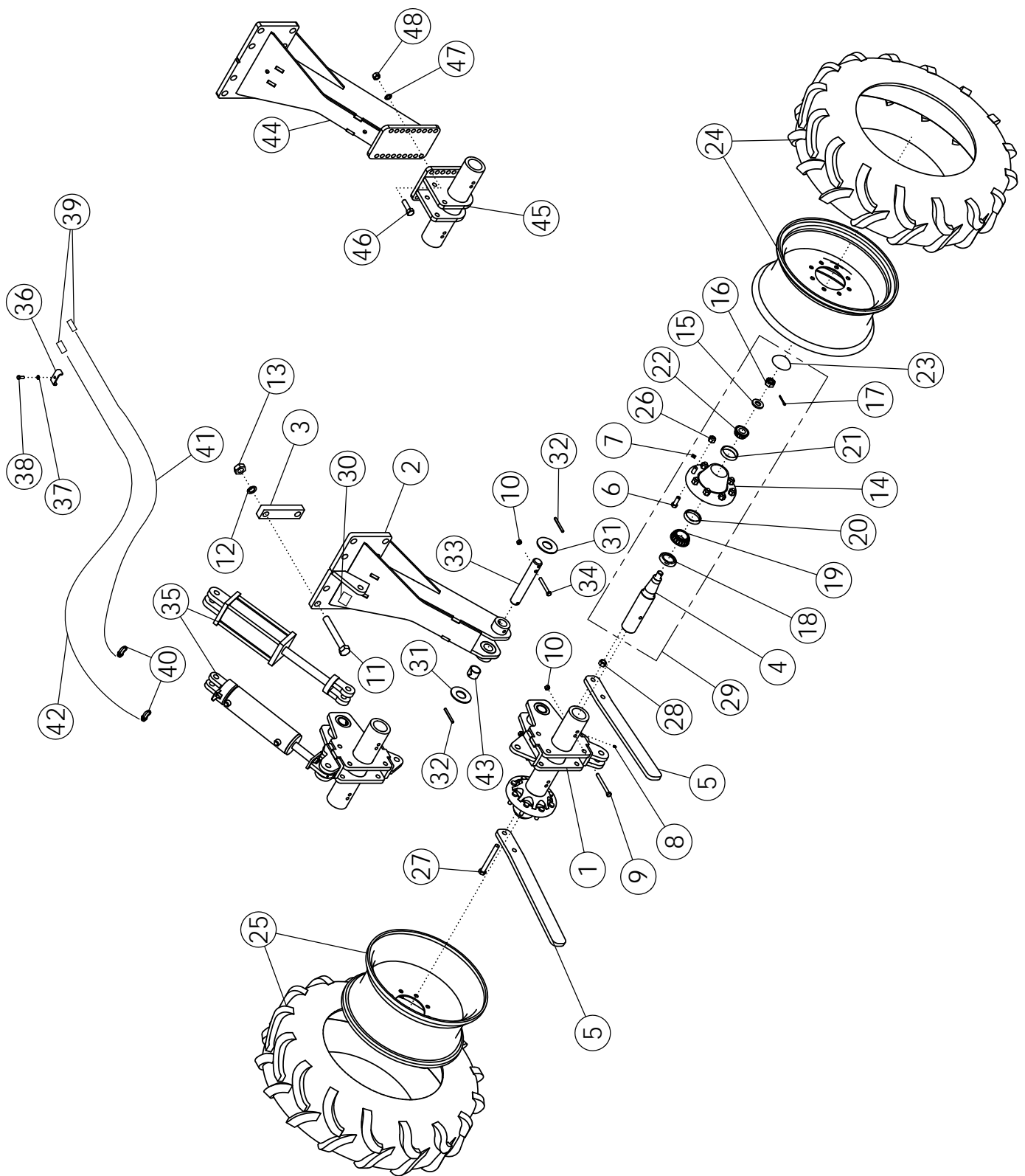
FRAME EXTENSION

ITEM	PART NO.	DESCRIPTION	QTY
1	59548	WLDMT - FRAME EXT 8R22 WHEEL	1
2	59420	WLDMT - SUPPORT LH	1
3	58658	WLDMT - SUPPORT RH	1
4	59411	ASSY-WHEEL	1
5	69624	PLATE-DEFLECTOR WHEEL	1
6	1011606	BOLT-HEX: .50 X 1.25 NC GR5 ZP	9
7	59636	BOLT-CLEVIS ZP	2
8	59637	SHOCK-COIL SPRING	2
9	59461	WLDMT-SHIELD SHOE	2
10	59502	SLIDE SUPPORT	2
11	59470	WLDMT-SLIDE	1
12	64124	PLASTIC SLIDE	1
13	1011827	NUT-JAM: .75 NC GR2 ZP	4
14	1011610	BOLT-HEX: .50 X 2.50 NC GR5 ZP	2
15	1011612	BOLT-HEX: .50 X 3.50 GR5 ZP	2
16	1027461	NUT-TOPLOCK: .50 NC GR5 ZP	17
17	1012060	BOLT-HEX: .75 X 2.00 NC GR5 ZP	8
18	1017000	NUT-TOPLOCK: .75 NC GR5 ZP	24
19	1016598	BOLT-HEX: .75 X 2.50 NC GR5 ZP	12
20	69148	PIN-BOLT W/COTTER	2
21	1011096	BOLT-HEX: .50 X 1.00 NC GR5 ZP	4
22	1016999	NUT-TOPLOCK: .38 NC GR5 ZP	26
23	59437	WLDMT-ROLLER MOUNT	2
24	58726	SHAFT-MOUNT ROLLER	2
25	58910	STAND-OFF ROLLER	4
26	53681	ROLLER FLANGE	4
27	1012061	WASHER-LOCK: .75 ZP	2
28	58367	BOLT-HEX: .75 X 1.50 NC GR5 ZP	2
29	1030702	WASHER-FLAT: .75 ZP	8
30	1011625	BOLT-HEX: .75 X 4.00 NC GR5 ZP	4
31	1011748	ZERK-GREASE	2
32	58679	BOLT-CRG: .38 X 1.50 NC GR5 ZP	26
33	64979	BRACKET-SHIELD BRACE	1
34	54653	U-BOLT: .50 X 3.25 X 4.00 X 3.25	1
35	1014443	WASHER-FLAT: .50 ZP	11
36	1019827	PIN-COTTER: .19 X 1.00 ZP	2
37	1016858	BOLT-HEX: .50 X 2.75 NC GR5 ZP	2
38	62785	SHIELD-MOUNT	1
39	1011581	WASHER-LOCK: .50 ZP	4
40	69623	PLATE-SHOE SHIELD SUPPORT	1



WHEEL CLEANER (OPTIONAL)

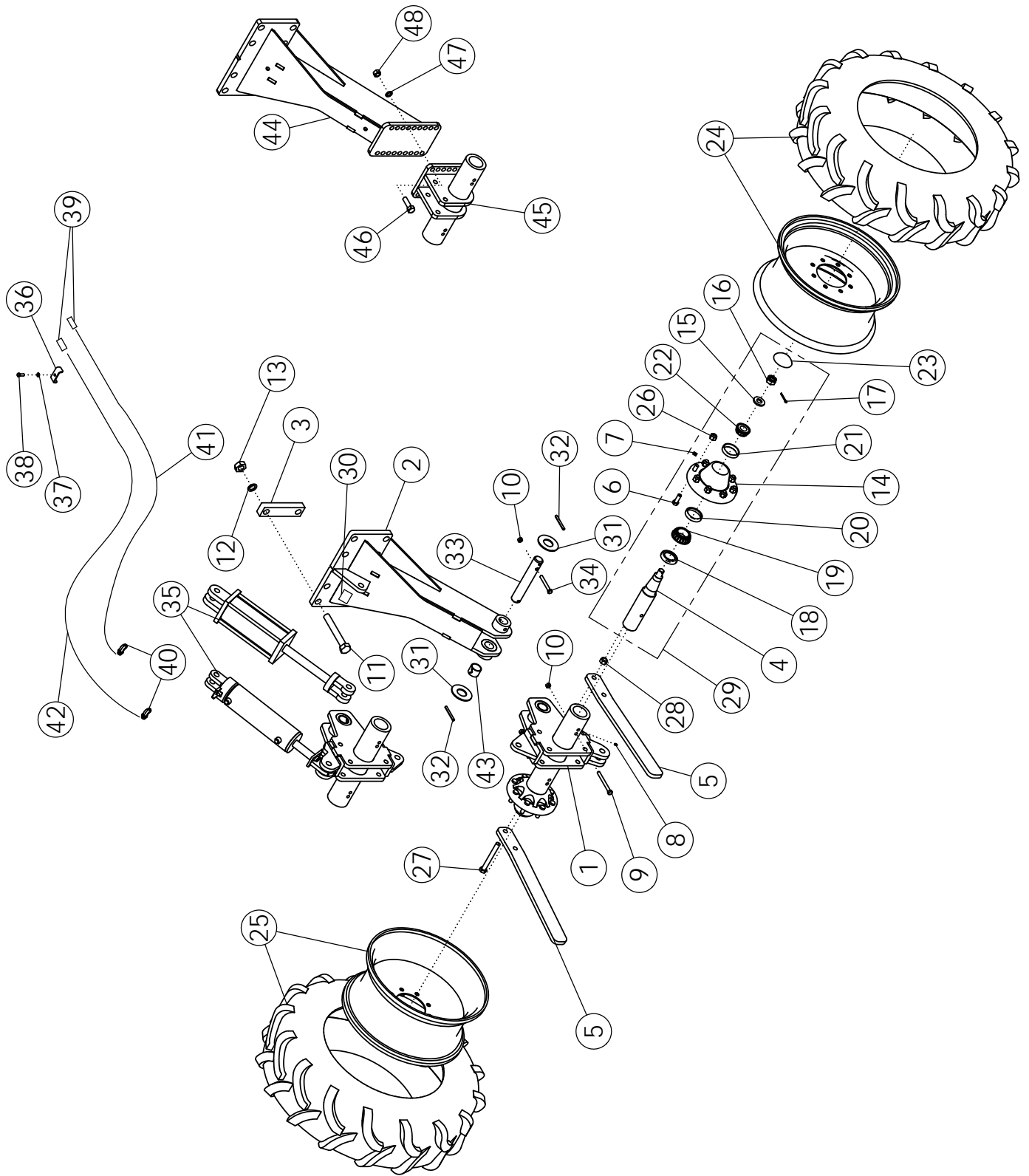
ITEM	PART NO.	DESCRIPTION	QTY
1	59663	WLDMT-FLAIL SHAFT	1
2	59668	WLDMT-FLAIL ROD	3
3	59656	FLAIL-STRAIGHT 1"	27
4	1011598	BOLT-HEX: .31 X 1.00 NC GR5 ZP	3
5	1030700	NUT-HEX: .31 NC GR5 ZP	3
6	59658	WLDMT-WHEEL CLEANER MOUNT	1
7	53662	BEARING-FLANGE 1.44	1
8	1016362	BOLT-CRG: .38 X 1.25 NC GR5 ZP	3
9	1016999	NUT-TOPLOCK: .38 NC GR5 ZP	6
10	59674	MOTOR-HYDRAULIC 6.0 IN ³ /REV	1
	57881	SEAL KIT FOR 59674	
11	1011608	BOLT-HEX: .50 X 1.75 NC GR5 ZP	2
12	1027461	NUT-TOPLOCK: .50 NC GR5 ZP	6
13	59662	BRACKET-ADJUSTMENT	2
14	59673	U-BOLT: .50 X 3.75 X 5.00 X 3.75	2
15	1014443	WASHER-FLAT: .50 ZP	8
16	59043	FTG-ADAPTER: 10MB-12MJ	2
17	62014	FTG-ADAPTER: 12MJ-12FJX-45	2
18	59672	BOLT-TAP: .50 X 5.50 NC GR5 ZP	2
19	1011591	NUT-JAM: .50 NC ZP	2
20	62252	STRIP-BOLTING	1
21	62251	FLAP-DEFLECTOR	1
22	1011601	BOLT-HEX: .38 X 1.25 NC GR5 ZP	3



STANDARD REAR STRUTS 11.2 X 24

ITEM	PART NO.	DESCRIPTION	QTY
1	300135	WLDMT-MOUNT ADJ 11.2-24 UNIVERSAL	1
2	69204	WLDMT-STRUT LH ADJ 11.2 X 24	1
3	64143	BAR - BOLTING	4
4	52954*	SPINDLE-STANDARD	1
5	59045	SCRAPER	2
6	54393	7600-6 STUD-HUB BOLT	8
7	301490	SELF TAPPING GREASE FITTING	1
8	1011748	ZERK-GREASE: .25 UNF STRAIGHT	1
9	1011618	BOLT-HEX: .50 X 5.00 NC GR5 ZP	2
10	1027461	NUT-TOPLOCK: .50 NC GR5 ZP	10
11	64145	BOLT-HEX: 1.13 X 8.00 NC GR8 ZP	8
12	64147	WASHER-LOCK: 1.13 ZP	8
13	64146	NUT-HEX: 1.13 NC GR2 ZP	8
14	53623*	HUB-WHEEL 8 BOLT	1
15	1030728*	WASHER-SPINDLE: 1.06ID X 2.13OD	1
16	1030726*	NUT-SPINDLE: 1.00 NF NP	1
17	1030797*	PIN-COTTER: .19 X 1.75 NP	1
18	53619*	SEAL	1
19	53621*	BEARING CONE-INNER	1
20	53622*	BEARING CUP-INNER	1
21	52243*	BEARING CUP-OUTER	1
22	53620*	BEARING CONE-OUTER	1
23	53624*	HUB CAP	1
24	56986	TIRE-MNTD: 11.2-24 10 PLY R1 RH	1
	56903	WHEEL W10 X 24 8 BOLT (1.88 POS)	
	56976	TIRE 11.2-24 10 PLY R1	
	68973	TUBE-REPAIR 11.2-24	
25	63992	TIRE-MNTD: 11.2-24 10 PLY R1 LH	1
	56903	WHEEL W10 X 24 8 BOLT (1.88 POS)	
	56976	TIRE 11.2-24 10 PLY R1	
	68973	TUBE-REPAIR 11.2-24	AR
26	53625*	NUT-WHEEL: .63-18NF	8
27	1016718	BOLT-HEX: .75 X 6.50 NC GR5 ZP	2
28	1017000	NUT-TOPLOCK: .75 NC GR5 ZP	2
29	53167	ASSY-HUB & SPINDLE 8-BOLT	2
30	52248	DECAL-CAUTION	1
31	73368	WASHER-FLAT: 1.75 ZP	2
32	73369	ROLL PIN: .38 X 3.50 ZP	2
33	301238	PIN-STRUT REAR ADJ	1
34	1032524	BOLT-HEX: .50 X 4.00 NC GR5 ZP	1

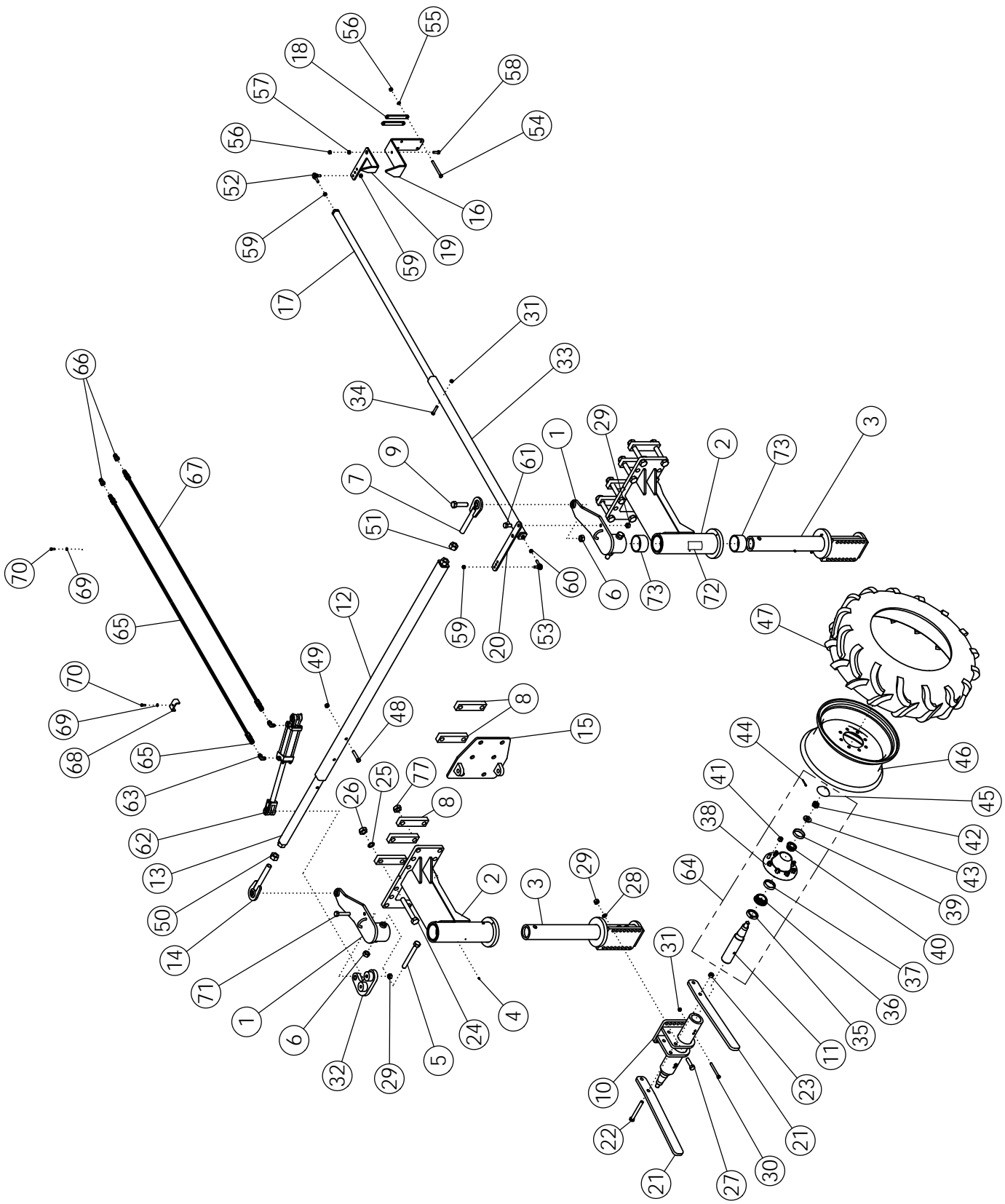
CONTINUE



STANDARD REAR STRUTS (CONTINUED)

ITEM	PART NO.	DESCRIPTION	QTY
35	72950	CYLINDER-HYDRAULIC 4 X 10	1
	301315	SEAL KT-CYL 4 X 8, 4 X 10 3000PSI UNIVERSAL	
	73421	CYLINDER-HYD 4 X 10-3000-0° ADC	
	73629	SEAL KIT FOR 73421	
36	50714	CLAMP .50 ZP	6
37	1011586	WASHER-LOCK: .38 ZP	6
38	1011600	BOLT-HEX: .38 X 1.00 NC GR5 ZP	6
39	36290	PIONEER TIP 8010-15P (#8 ORB)	2
40	58560	FTG-ELBOW: 8MB-8MJ-90	2
41	66596	HOSE: .50 X 320 8FJX-8MB	1
42	67670	HOSE: .50 X 312 8MB-8FJX	1
43	301237	BUSHING-SPRING 2.00 X 1.75 X 1.50	2
44	69206	WLDMT-STRUT RH STD 11.2-24	1
45	57233	WLDMT-MOUNT STANDARD	1
46	1016598	BOLT-HEX: .75 X 2.50 NC GR5 ZP	6
47	1012061	WASHER-LOCK: .75 ZP	6
48	1011620	NUT-HEX: .75 NC GR2 ZP	6

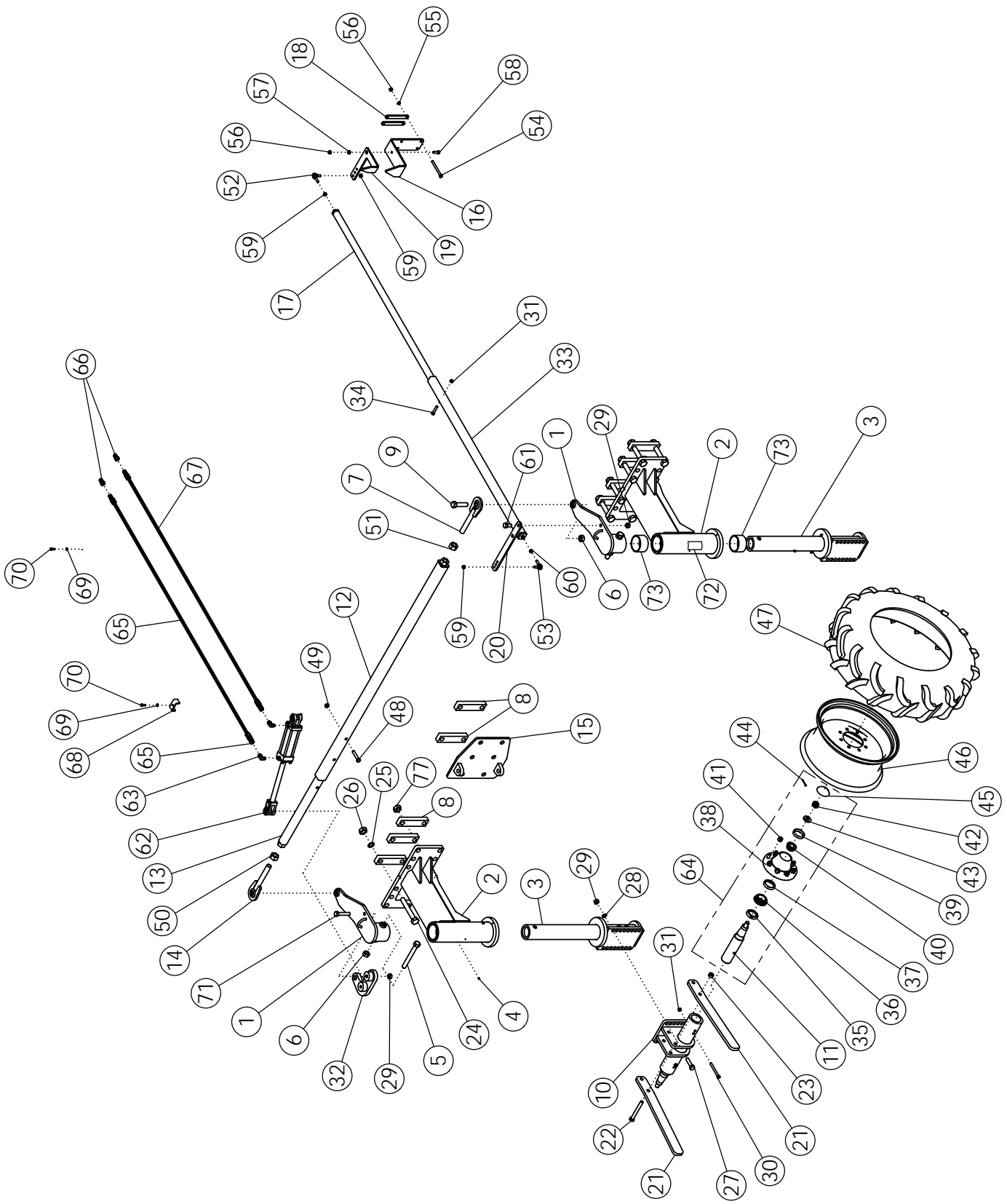
* Items are included in Item 29



STEERABLE REAR STRUTS

ITEM	PART NO.	DESCRIPTION	QTY
1	58240	WLDMT - STEERING ARM	2
2	69415	WLDMT-STEERING HOUSING	2
3	58238	WLDMT - KING PIN	2
4	1011748	ZERK - GREASE	10
5	1030725	BOLT-HEX: 1.00 X 8.00 NC GR8 ZP	2
6	1016969	NUT-TOPLOCK: 1.00 NC GR5 ZP	4
7	58186	WLDMT-TIE ROD RH	1
8	64143	BAR - BOLTING	6
9	1032276	BOLT-HEX: 1.00 X 3.50 NC GR8 ZP	2
10	68712	WLDMT - MOUNT STANDARD & 24"	2
11	52954*	SPINDLE-STANDARD	4
12	58374	WLDMT-TIE ROD EXTENSION	1
13	58341	WLDMT-TIE ROD	1
14	58203	WLDMT-TIE ROD LH	1
15	69418	WLDMT-CYLINDER MOUNT STEERABLE	1
16	53278	MOUNT-INDICATOR	1
17	59492	WLDMT-TIE ROD	1
18	56809	BAR-BOLTING	2
19	58348	INDICATOR LH	1
	68131	INDICATOR RH	1
20	64980	ARM-STEERING INDICATOR	1
21	59045	SCRAPER	4
22	1016718	BOLT-HEX: .75 X 6.50 NC GR5 ZP	4
23	1017000	NUT-TOPLOCK: .75 NC GR5 ZP	4
24	64145	BOLT-HEX: 1.13 X 8.00 NC GR8 ZP	20
25	64147	WASHER-LOCK: 1.13 ZP	20
26	64146	NUT-HEX: 1.13 NC GR5 ZP	20
27	1012059	BOLT-HEX: .75 X 3.00 NC GR5 ZP	12
28	1012061	WASHER-LOCK: .75 ZP	12
29	1011620	NUT-HEX: .750 NC	16
30	1011618	BOLT-HEX: .50 X 5.00 NC GR5 ZP	4
31	1027461	NUT-TOPLOCK: .50 NC GR5 ZP	5
32	69149	PLATE	1
33	59493	WLDMT-TIE ROD EXTENSION	1
34	1011610	BOLT-HEX: .50 X 2.50 NC GR5 ZP	1
35	53619*	SEAL	4
36	53621*	BEARING CONE-INNER	4
37	53622*	BEARING CUP-INNER	4
38	53623*	HUB-WHEEL 8 BOLT	4
39	52243*	BEARING CUP-OUTER	4
40	53620*	BEARING CONE-OUTER	4

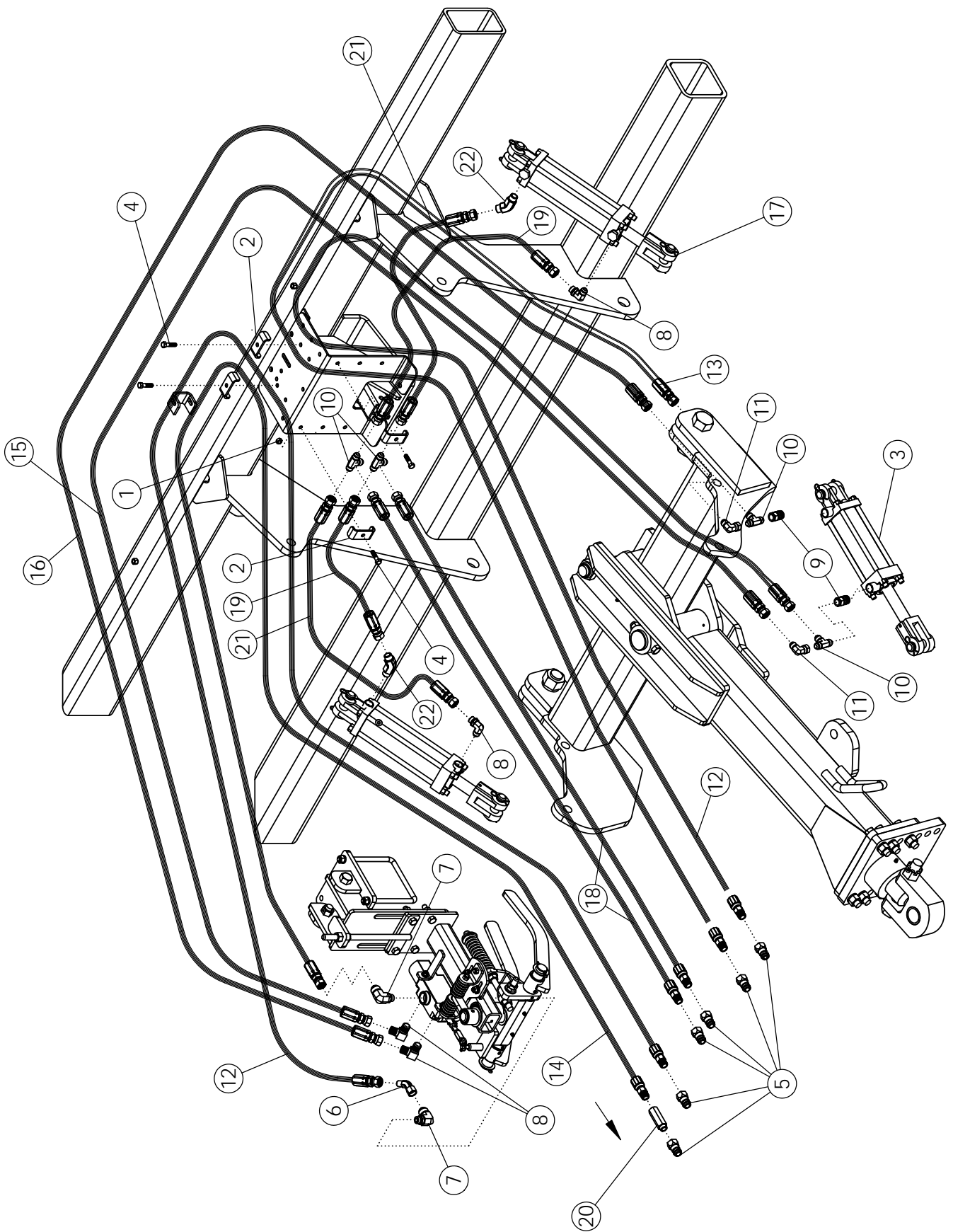
CONTINUED



STEERABLE REAR STRUTS (CONTINUED)

ITEM	PART NO.	DESCRIPTION	QTY
41	53625*	NUT-WHEEL: .63-18NF	32
42	1030726*	NUT-SPINDLE: 1.00 NF NP	4
43	1030728*	WASHER-SPINDLE: 1.06ID X 2.13OD	4
44	1030797*	PIN-COTTER: .19 X 1.75 NP	4
45	53624*	HUB CAP	4
46	56903	WHEEL W10 X 24 8 BOLT (1.875 POS)	4
47	56976	TIRE 11.2-24 10 PLY R1	4
	68973	TUBE-REPAIR 11.2-24 (NOT SHOWN)	AR
48	1030704	BOLT-HEX: .63 X 3.25 NC GR5 ZP	1
49	1011578	NUT-HEX: .63 NC GR2 ZP	1
50	1030729	NUT-HEX: 1.25 NC GR2 ZP LH	1
51	1011621	NUT-HEX: 1.25 NC GR2 ZP	1
52	58350	BALL JOINT ROD END 1/2-20NF RH	1
53	58351	BALL JOINT ROD END 1/2-20NF LH	1
54	1016660	BOLT-HEX: .50 X 5.50 NC GR5 ZP	4
55	1011581	WASHER-LOCK: .50 ZP	4
56	1011577	NUT-HEX: .50 NC GR2 ZP	5
57	56884	BUSHING-INDICATOR REAR STRUT	1
58	1011607	BOLT-HEX: .50 X 1.50 NC GR5 ZP	1
59	58355	NUT-HEX: .50 NF GR5 ZP RH	3
60	58366	NUT-HEX: .50 NF GR5 ZP LH	1
61	58367	BOLT-HEX: .75 X 1.50 NC GR5 ZP	2
62	58890	CYLINDER HYDRAULIC 3 X 8	1
	301314	SEAL KIT FOR 58890 UNIVERSAL	
63	58560	FTG-ELBOW: 8MB-8MJ-90	2
64	53167	ASSY-HUB & SPINDLE 8 BOLT	2
65	300029	HOSE: .50 X 276 8MB-8FJX	1
66	36290	PIONEER TIP 8010-15P (#8 ORB)	2
67	66604	HOSE: .50 X 290 8FJX-8MB	1
68	50714	CLAMP 1/2" ZP	4
69	1011586	WASHER-LOCK: .38 ZP	4
70	1011600	BOLT-HEX: .38 X 1.00 NC GR5 ZP	4
71	1011625	BOLT-HEX: .75 X 4.00 NC GR5 ZP	2
72	52248	DECAL CAUTION	1
73	59205	BUSHING-BORED 4.5 X 4.025	4

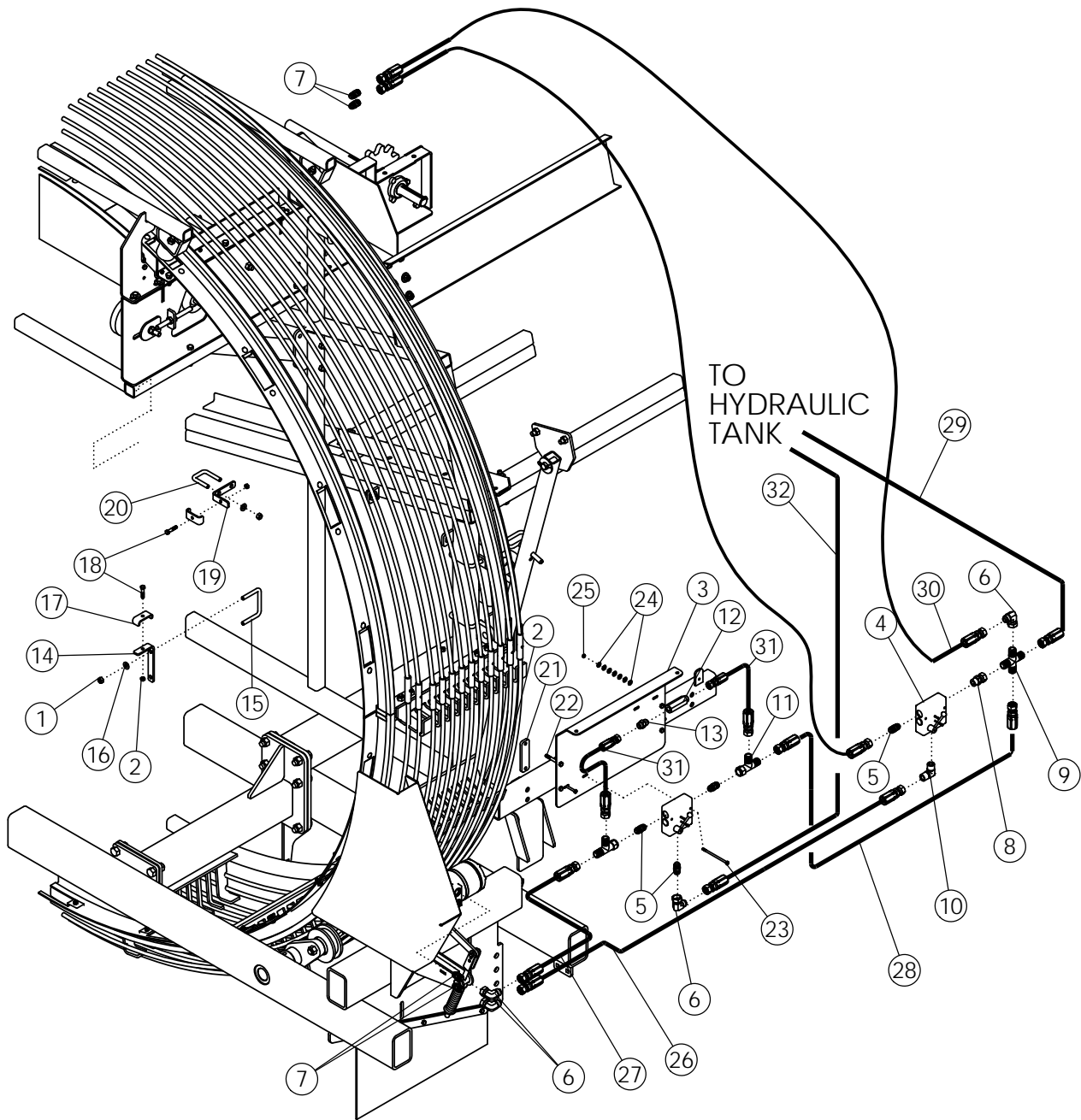
* Items are included in Item 64



ROW FINDER AND HITCH HYDRAULICS

ITEM	PART NO.	DESCRIPTION	QTY
1	1016999	NUT-TOPLOCK: .38 NC GR5 ZP	6
2	50714	CLAMP .50 ZP	6
3	58891	CYLINDER-HYDRAULIC 4 X 8" 3000	1
	301315	SEAL KIT FOR 58991 UNIVERSAL	
4	1011602	BOLT-HEX: .38 X 1.50 NC GR5 ZP	6
5	36290	PIONEER TIP 8010-15P (#8 ORB)	6
6	57663	FTG-ELBOW: 8MJ-8FJX-45	1
7	65901	FTG-ELBOW: 10MB-8MJ-90	2
8	58560	FTG-ELBOW: 8MB-8MJ-90	4
9	56941	FTG-ADAPTER: 8MB-8FJX	2
10	57667	FTG-TEE: 8MJ-8MJ-8MJ	4
11	57668	FTG-ELBOW: 8MJ-8FJX 90	2
12	300037	HOSE: .50 X 153 8MB-8FJX	2
13	300038	HOSE: .50 X 150 8MB-8FJX	1
14	300106	HOSE: .50 X 163 8MB-8FJX	1
15	57672	HOSE: .50 X 098 8FJX-8FJX	1
16	57673	HOSE: .50 X 096 8FJX-8FJX	1
17	62082	CYLINDER-HYDRAULIC 4 X 10" 3000	2
	301315	SEAL KIT FOR 62082 UNIVERSAL	
18	300055	HOSE: .50 X 100 8MB-8FJX	2
19	57676	HOSE: .50 X 031 8FJX-8FJX (6R/8R)	2
	1015221	HOSE: .50 X 040 8FJX-8FJX(12R)	
20	300070	CHECK VALVE 8MB-8FB FLOW F-->M (FC-08R)	1
21	57677	HOSE: .50 X 021 8FJX-8FJX (6R/8R)	2
	1018115	HOSE: .50 X 030 8FJX-8FJX (12R)	
22	58515	FTG-ELBOW: 8MB-8MJ-45	2

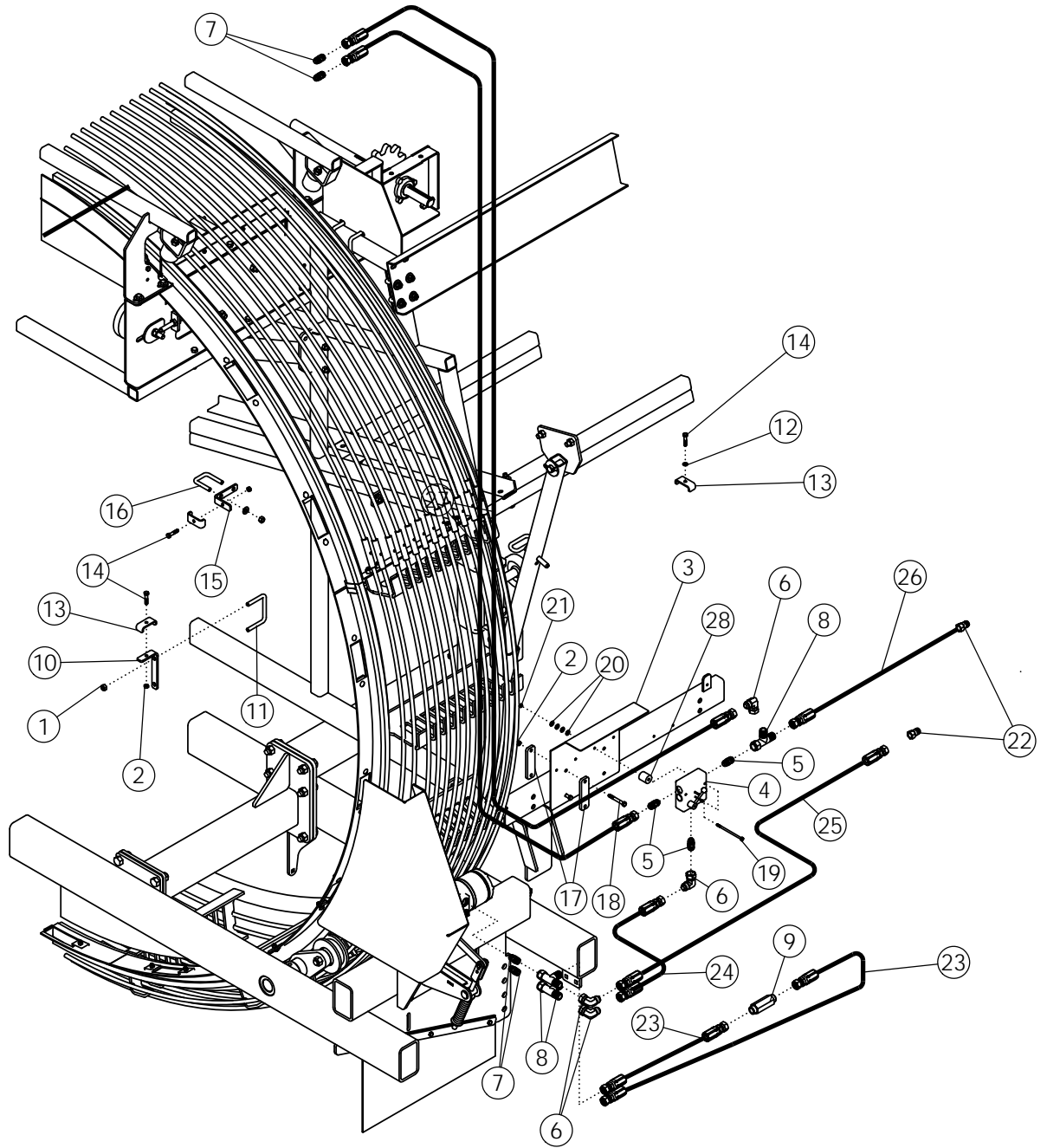
****IMPORTANT** ITEM 20 (PN: 300070-CHECK VALVE) MUST BE INSTALLED AS SHOWN PER THE DIAGRAM, TO PREVENT PREMATURE ROWFINDER VALVE FAILURE.**



SELF-CONTAINED HYDRAULIC SYSTEM

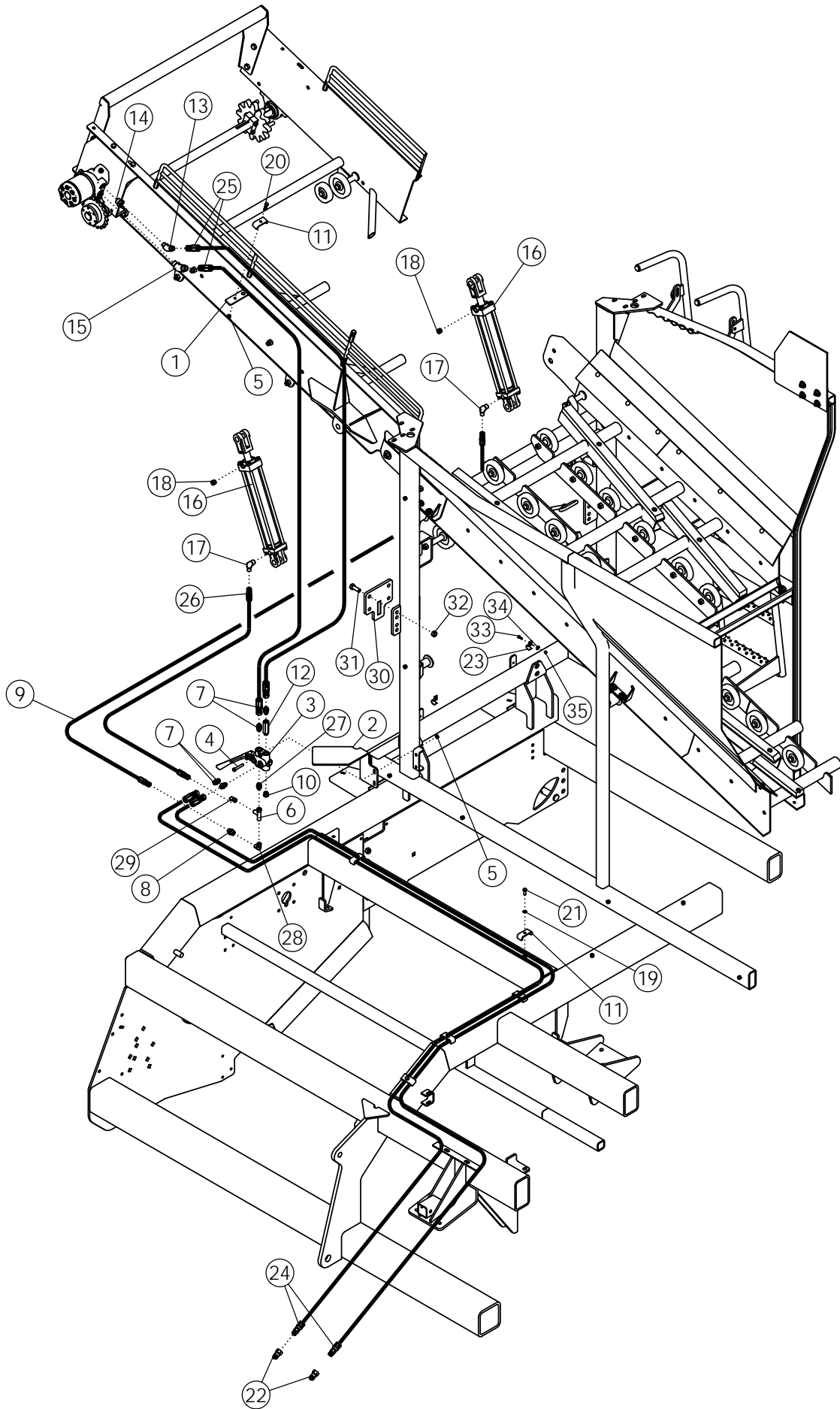
ITEM	PART NO.	DESCRIPTION	QTY
1	1027461	NUT-TOPLOCK: .50 NC GR5 ZP	6
2	1016999	NUT-TOPLOCK : .38 NC GR5 ZP	6
3	59880	BRACKET-FLOW CONTROL	1
4	58985	VALVE-FLOW CONTROL 3/4" FP	2
	64414	SEAL KIT FOR 58985	
5	59042	FTG-ADAPTER: 12MP-12MJ	5
6	59041	FTG-ELBOW: 12MJ-12FJX 90	5
7	59043	FTG-ADAPTER: 10MB-12MJ	4
8	63799	FTG-ADAPTER: 12MP-12FJX	1
9	63800	FTG-CROSS: 12MJ	1
10	59044	FTG-ELBOW: 12MP-12MJ 90	2
11	59888	FTG-TEE: 12MJ-12FJX-12MJ	2
12	56230	VALVE-CHECK: 10MJ-10FB	1
13	62019	FTG-ADAPTER: 10MB-10MJ	1
14	59182	BRACKET-HOSE ZP	2
15	54653	U-BOLT: .50 X 3.25 X 4.00 X 3.25	2
16	1011584	WASHER-FLAT: SAE .50 ZP	6
17	50714	CLAMP 1/2" ZP	12
18	1011603	BOLT-HEX: .38 X 1.75 NC GR5 ZP	3
19	59184	BRACKET-HOSE ZP	1
20	65658	U-BOLT: .50 X 3.00 X 2.06 X 3.00	1
21	59881	BRACKET-BOLT PLATE	2
22	1013239	BOLT-HEX: .38 X 3.00 NC GR5 ZP	4
23	59188	BOLT-HEX: .25 X 5.00 NC GR5	4
24	1020416	WASHER-FLAT: .25 ZP	14
25	1030946	NUT-TOPLOCK: .25 NC GR5 ZP	4
26	59071	HOSE: .75 X 60 12FJX-12FJX	2
27	64062	HOSE: .75 X 38 12FJX-12FJX	1
28	63798	HOSE: .75 X 21 12FJX-12FJX	1
29	59892	HOSE: .75 X 208 12FJX-12FJX	1
30	59805	HOSE: .75 X 180 12FJX-12FJX	2
31	62020	HOSE: .50 X 14 10FJX-12FJX	2
32	59891	HOSE: .75 X 224 12FJX-12FJX	1
33	59039*	HOSE: .75 X 113 12FJX-12FJX	1

* (NOT SHOWN) USED WITH WHEEL CLEANER OPTION



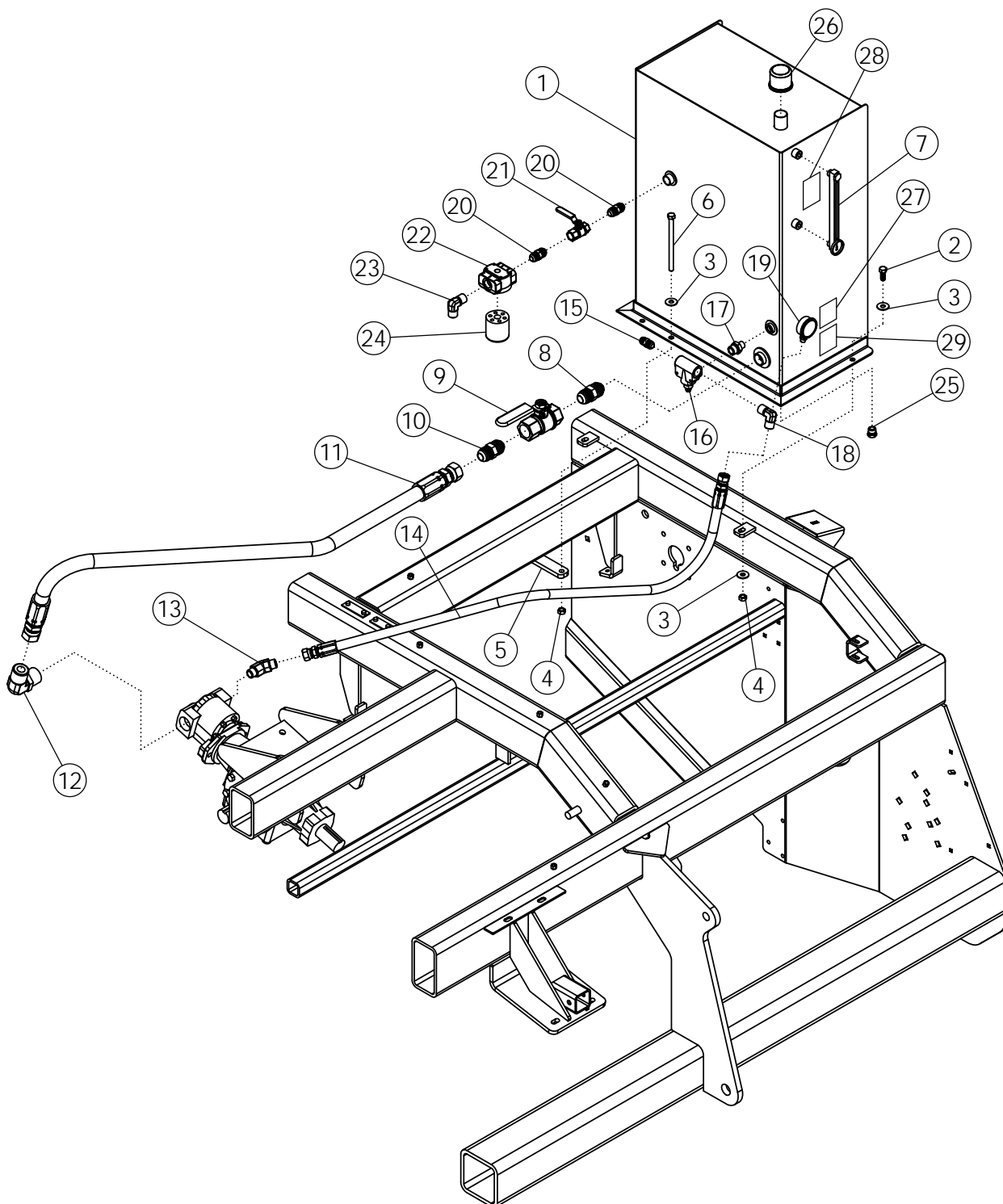
TRACTOR HYDRAULIC DRIVE

ITEM	PART NO.	DESCRIPTION	QTY
1	1027461	NUT-TOPLOCK: .50 NC GR5 ZP	6
2	1016999	NUT-TOPLOCK : .38 NC GR5 ZP	7
3	69020	BRACKET-FLOW CONTROL SMALL	1
4	58985	VALVE-FLOW CONTROL 3/4" FP	1
	64414	SEAL KIT FOR 58985	
5	59042	FTG-ADAPTER: 12MP-12MJ	3
6	59041	FTG-ELBOW: 12MJ-12FJX-90	4
7	59043	FTG-ADAPTER: 10MB-12MJ	4
8	59888	FTG-TEE: 12MJ-12FJX-12MJ	3
9	68179	VALVE-CHECK: 12MJ-12MJ	1
10	59182	BRACKET-HOSE ZP	2
11	54653	U-BOLT: .50 X 3.25 X 4.00 X 3.25	2
12	1011586	WASHER-LOCK: .38 ZP	5
13	63753	CLAMP-HOSE .75 ZP	8
14	1011603	BOLT-HEX: .38 X 2.00 NC GR5 ZP	8
15	59184	BRACKET-HOSE ZP	1
16	65658	U-BOLT: .50 X 3.00 X 2.06 X 3.00	1
17	59881	BRACKET-BOLT PLATE	4
18	58176	BOLT-HEX: .38 X 3.50 NC GR5 ZP	4
19	1030776	BOLT-HEX: .25 X 4.00 NC GR5	2
20	1020416	WASHER-FLAT: .25 ZP	8
21	1030946	NUT-TOPLOCK: .25 NC GR5 ZP	2
22	53631	PIONEER TIP	2
23	68437	HOSE: .50 X 14 12FJX-12FJX	2
24	59071	HOSE: .75 X 60 12FJX-12FJX	1
25	69162	HOSE: .63 X 330 12FJX-8MP	1
26	68151	HOSE: .63 X 264 12FJX-8MP	1
27	59892	HOSE: .75 X 208 12FJX-12FJX	2
28	59463	SPACER ZP	2



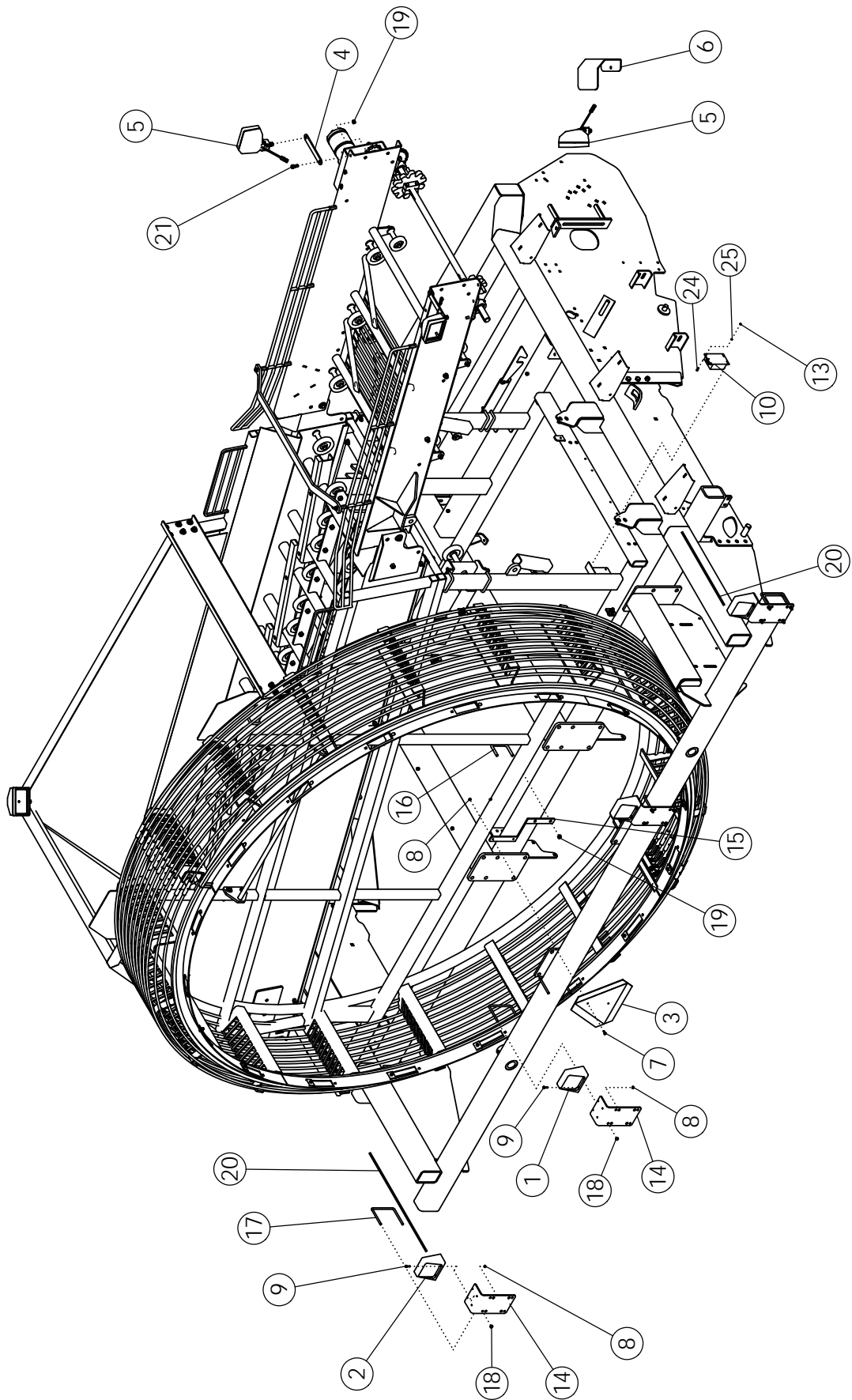
TANK HYDRAULICS

ITEM	PART NO.	DESCRIPTION	QTY
1	54825	BRACKET-HOSE ZP	2
2	62904	GUARD-SELECTOR VALVE	1
3	58470	VALVE-SELECTOR	1
4	59390	BOLT-HEX: .38 X 2.25 NC GR5 ZP	2
5	1016999	NUT-TOPLOCK: .38 NC GR5 ZP	5
6	56231	FTG-TEE: 6MJ-6FJX-6MJ	1
7	56226	FTG-ADAPTER: 8MB-8MJ	4
8	300072	FITTING-RESTRICTOR (6MJ-6FJ R 1/16)	1
9	58867	HOSE: .38 X 110 6FJX-6FJX	1
10	56190	FTG-PLUG: 8MB	1
11	50714	CLAMP 1/2" ZP	10
12	300070	VALVE-CHECK: 8MB-8FJ FLOW F-->M	1
13	58515	FTG-ELBOW: 8MB-8MJ-45	1
14	300069	FTG-ADAPTER: 8FB-10MB	1
15	56229	FTG-ELBOW: 10MB-8MJ-45	1
16	58889	CYLINDER-HYD 2.5 X 16	2
17	58557	FTG-ELBOW: 8MB-6MJ 90	2
18	58547	FTG-PLUG: 8MB BREATHER	2
19	1011586	WASHER-LOCK: .38 ZP	7
20	1011602	BOLT-HEX: .38 X 1.50 NC GR5 ZP	3
21	1011600	BOLT-HEX: .38 X 1.00 NC GR5 ZP	7
22	36290	PIONEER TIP 8010-15P (#8 ORB)	2
23	50779	HOSE-CLAMP	2
24	300076	HOSE: .50 X 262 8MB-8FJX	2
25	59889	HOSE: .50 X 161 X 8FJX-8FJX	2
26	44159	HOSE: .38 X 040 6FJX-6FJX	1
27	66624	FTG-ADAPTER: 6MJ-8MB	1
28	57897	FTG-ELBOW: 6MJ-6FJX-90	1
29	301538	FTG-ELBOW: 6MJ-6FJX-45	1
30	301298	WLDMT-CYLINDER LUG	2
31	1013918	BOLT-HEX: .63 X 1.75 NC GR5 ZP	8
32	1016595	NUT-TOPLOCK: .63 NC GR5 ZP	8
33	1011595	BOLT-HEX: .25 X .75 NC GR5 ZP	2
34	1020416	WASHER-FLAT: .25 ZP	2
35	1030946	NUT-TOPLOCK: .25 NC GR5 ZP	2



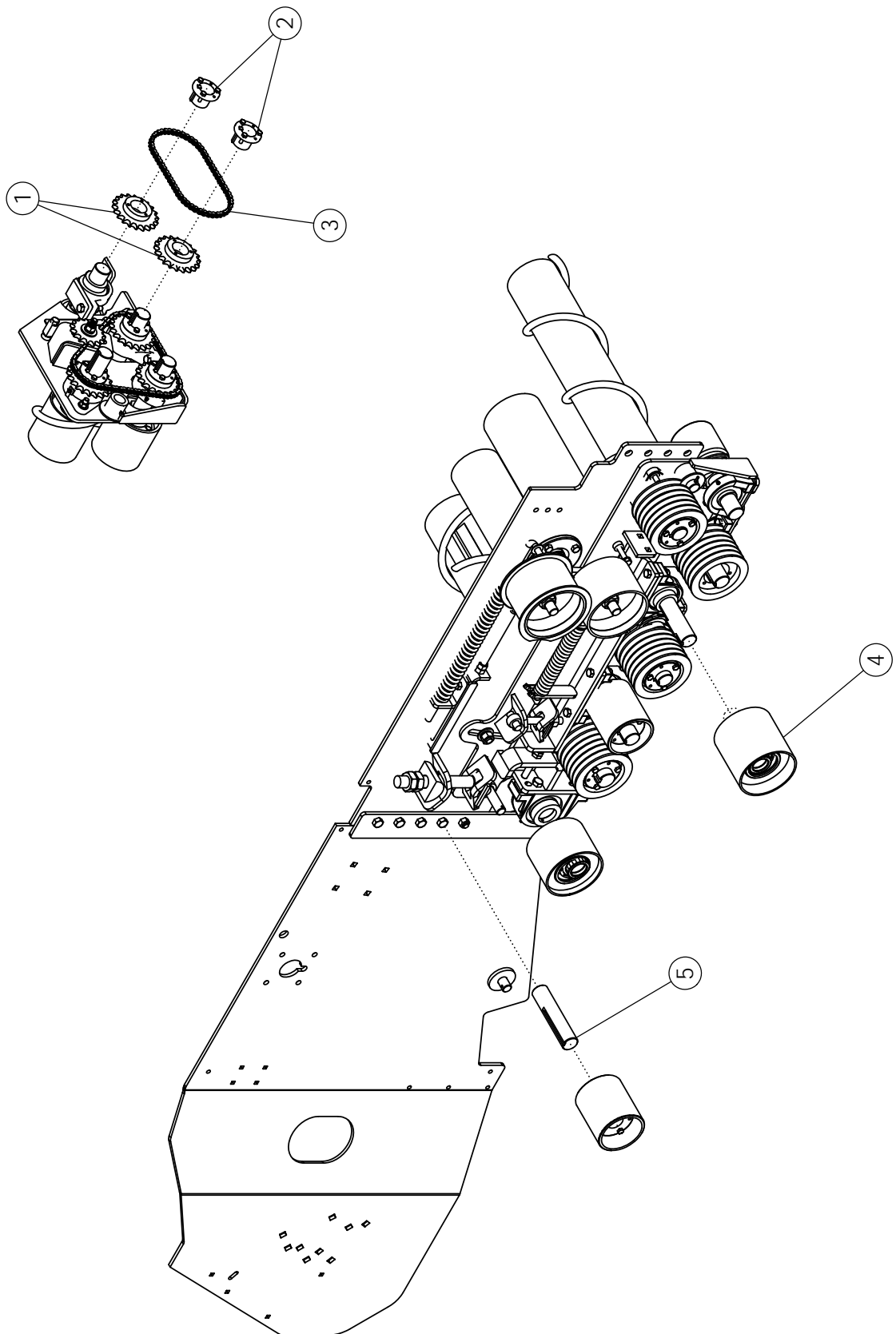
HYDRAULIC TANK

ITEM	PART NO.	DESCRIPTION	QTY
1	58079	HYDRAULIC TANK-PAINTED	1
2	1011606	BOLT-HEX: .50 X 1.25 NC GR5 ZP	2
3	1014443	WASHER-FLAT: .50 ZP	6
4	1027461	NUT-TOPLOCK: .50 NC GR5 ZP	4
5	58204	BAR - BOLTING	1
6	1032514	BOLT-HEX: .50 X 7.50 NC GR5 ZP	2
7	58914	GAUGE-LEVEL & TEMP	1
8	58978	FTG-ADAPTER: 20MP-20MP	1
9	58979	VALVE-BALL: 20FP-20FP	1
10	62209	FTG-ADAPTER: 20MP-20MJ	1
11	62213	HOSE: 1.25 X 084 20FJX-20FJX	1
12	58980	FTG-ELBOW: 24MB-20MJ-90	1
13	62212	FTG-ELBOW: 16MB-12MJ-45	1
14	69161	HOSE: .75 X 082 12FJX-12FJX	1
15	59042	FTG-ADAPTER: 12MP-12MJ	1
16	58190	VALVE-RELIEF	1
17	58466	FTG-ADAPTER: 12MP-8MP	1
18	58983	FTG-ELBOW: 12MP-12MJ-90 W/.25" FP	1
19	62518	GAUGE-PRESSURE: 1/4"MP 3000 PSI	1
20	58196	FTG-ADAPTER: 12MP-12MP	2
21	59165	VALVE-BALL 3/4FP - 3/4FP	1
22	58690	FILTER HEAD	1
23	59044	FTG-ELBOW: 12MP-12MJ-90	1
24	58691	FILTER-HYDRAULIC	1
25	55718	FTG-PLUG: 8MB	1
26	58197	CAP-FILLER	1
27	62964	DECAL-WARNING	1
28	64428	DECAL-HYD TANK SPECS	1
29	64429	DECAL-WARNING BALL VALVE	1



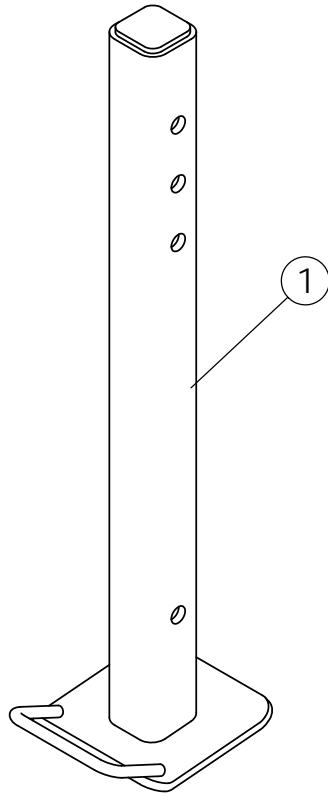
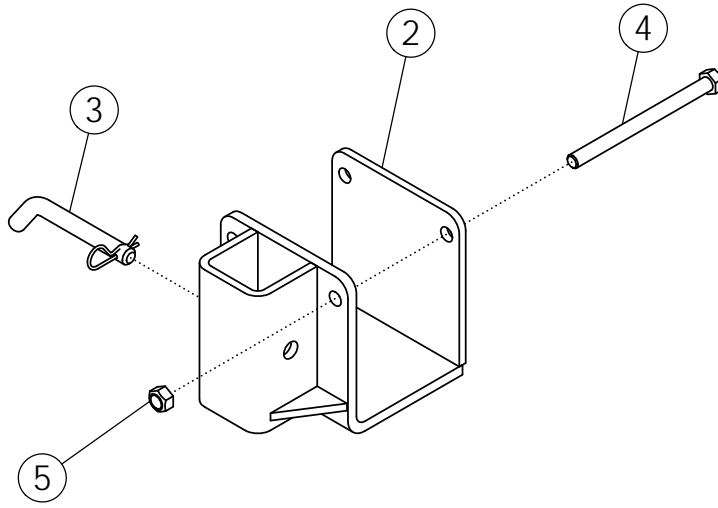
LIGHT KIT #64365

ITEM	PART NO.	DESCRIPTION	QTY
1	65953	LAMP-RED TAIL	2
2	65954	LAMP-AMBER TAIL	2
3	65329	SIGN-SMV ASAE	1
4	57168	LIGHT BRACKET	2
5	62900	ASSY - LIGHT FLOOD W/CON	4
6	62894	GUARD-GRABROLL LIGHT	1
7	1011595	BOLT-HEX	2
8	1030946	NUT-TOPLOCK: .25 NC GR5 ZP	18
9	1013423	BOLT-HEX: .25 X 1.00 NC GR5 ZP	16
10	65341	MODULE-INTERFACE	1
11	0100615	BOLT: .19 X .75 NC GR5 ZP	4
12	65681	WASHER-LOCK: .19 ZP	4
13	1011588	NUT-HEX: .19 NC GR2 ZP	4
14	64363	BRACKET-LIGHT WHEEL HRV	4
15	64366	MOUNT-SMV SIGN	1
16	54653	U-BOLT: .50 X 3.25 X 4.00 X 3.25	1
17	64364	U-BOLT: .38 X 5.13 X 6.00 X 5.13	8
18	1016999	NUT-TOPLOCK .38 NC GR5 ZP	16
19	1027461	NUT-TOPLOCK: .50 NC GR5 ZP	4
20	64077	HARNESS-EXTENSION 32"	2
21	1011606	BOLT-HEX: .50 X 1.25 NC GR5 ZP	2
22	1013122	TIE-CABLE, NYLON 14.00" (NOT SHOWN)	40
23	64283	HARNESS-HARVESTER (NOT SHOWN)	1



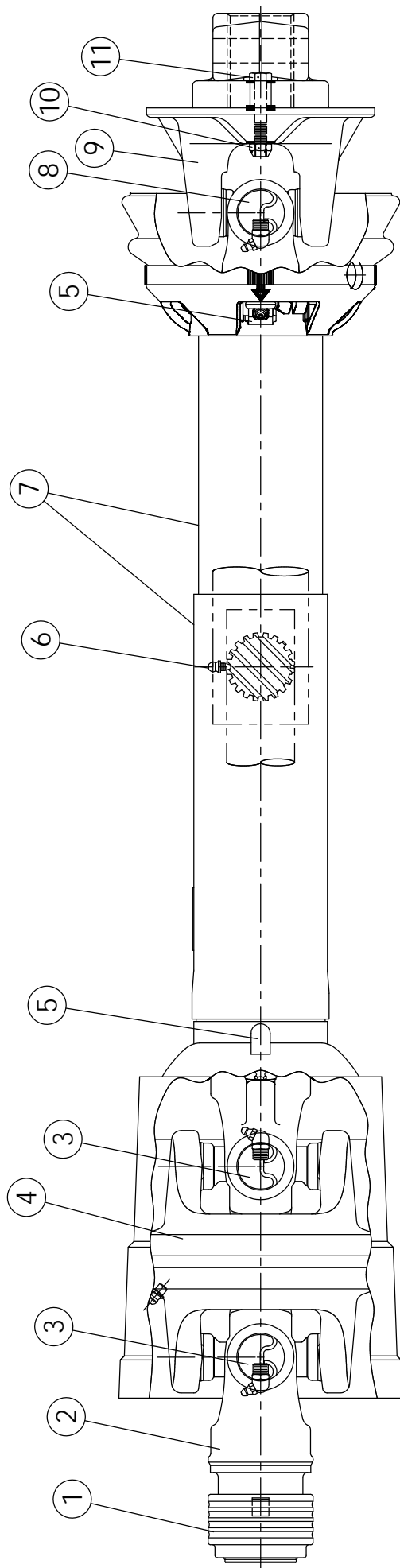
REVERSE #4 CLEANING ROLL #62111 (OPTIONAL)

ITEM	PART NO.	DESCRIPTION	QTY
1	53649	SPROCKET H60-P20	2
2	53641	HUB P1 1.75 (WITH KEY)	2
3	62110	CHAIN-ROLLER 60H-1R-045	1
4	56409	ASSY-IDLER PULLEY 8R	1
5	62108	SHAFT-STUB REVERSE #4	1



HARVESTER STAND #63397 (OPTIONAL)

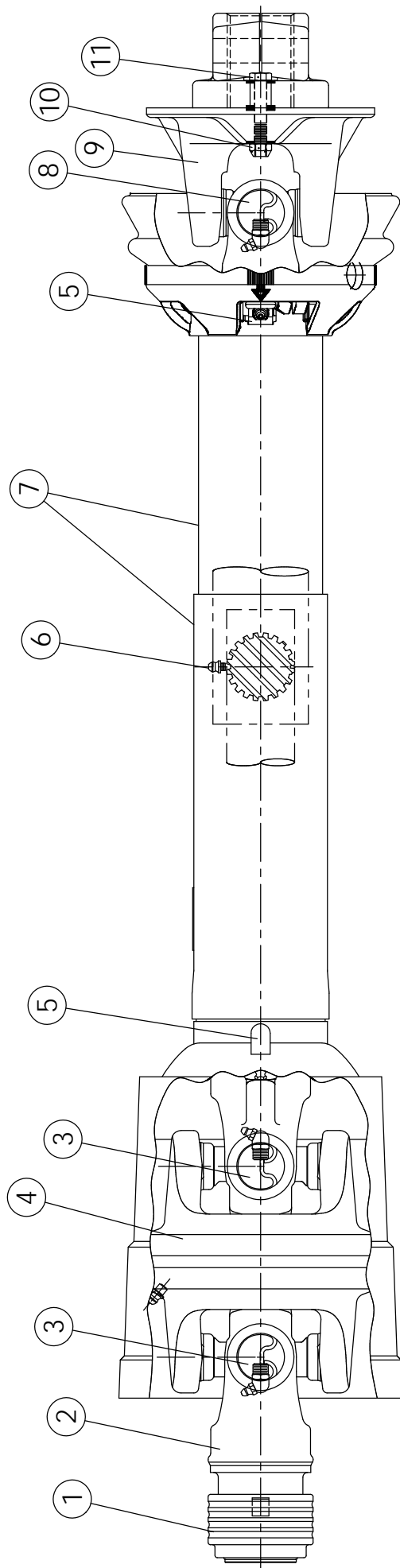
ITEM	PART NO.	DESCRIPTION	QTY
1	63382	WLDMT-STAND SUPPORT	1
2	63377	WLDMT-STAND MOUNT	1
3	63407	PIN-BENT	1
4	1018957	BOLT-HEX: .63 X 8.00 NC GR5 ZP	2
5	1016595	NUT-TOPLOCK: .63 NC GR5 ZP	2



PTO DRIVELINE #51481

1.75" - 20 SPLINE

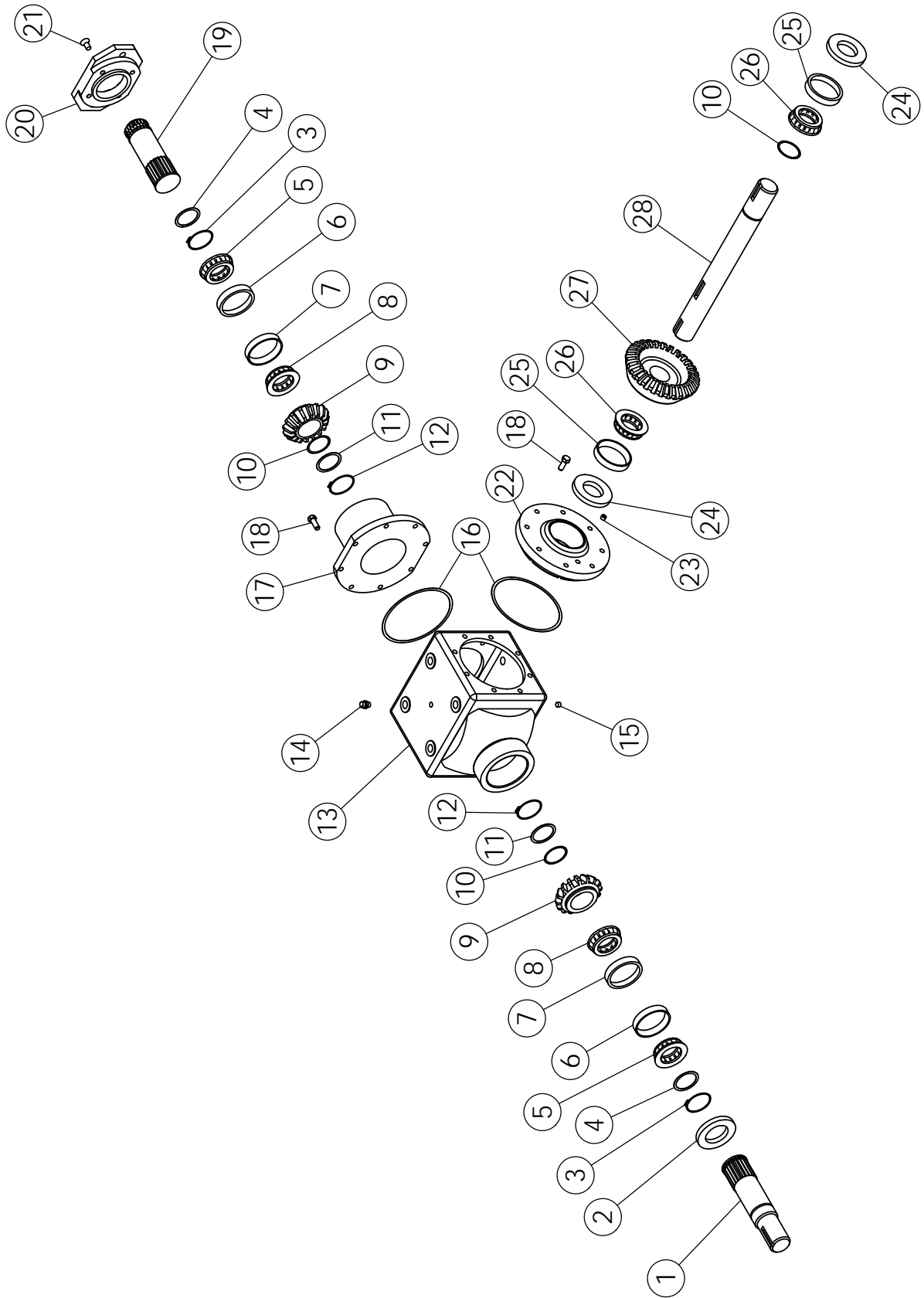
ITEM	PART NO.	DESCRIPTION	QTY
1	62123	KT-SAFETY SLIDE LOCK REPAIR 1.750"	1
2	54157	YOKE ASSY-SAFETY SLIDE LOCK 1.750" CAT 5	1
3	54159	KT-CROSS & BEARING CAT 5	2
4	64411	HOUSING-CV CENTER ASSY CAT 5	1
5	64398	KT-NYLON REPAIR UNIVERSAL	2
6	54161	ZERK-DRIVE LUBE FTG (PRESSED IN)	4
7	64412	GUARD SET-CV PTO HRV MAX 74" EXT.	1
8	54172	KT-CROSS & BEARING 35E SERIES	1
9	57286	ASSY-BALL SHEAR HRV	1
10	1030700	NUT-TOPLOCK: .31 NC GR5 ZP	1
11	1011285	BOLT-HEX: .31 X 2.00 NC GR5 ZP	1



PTO DRIVELINE #51480

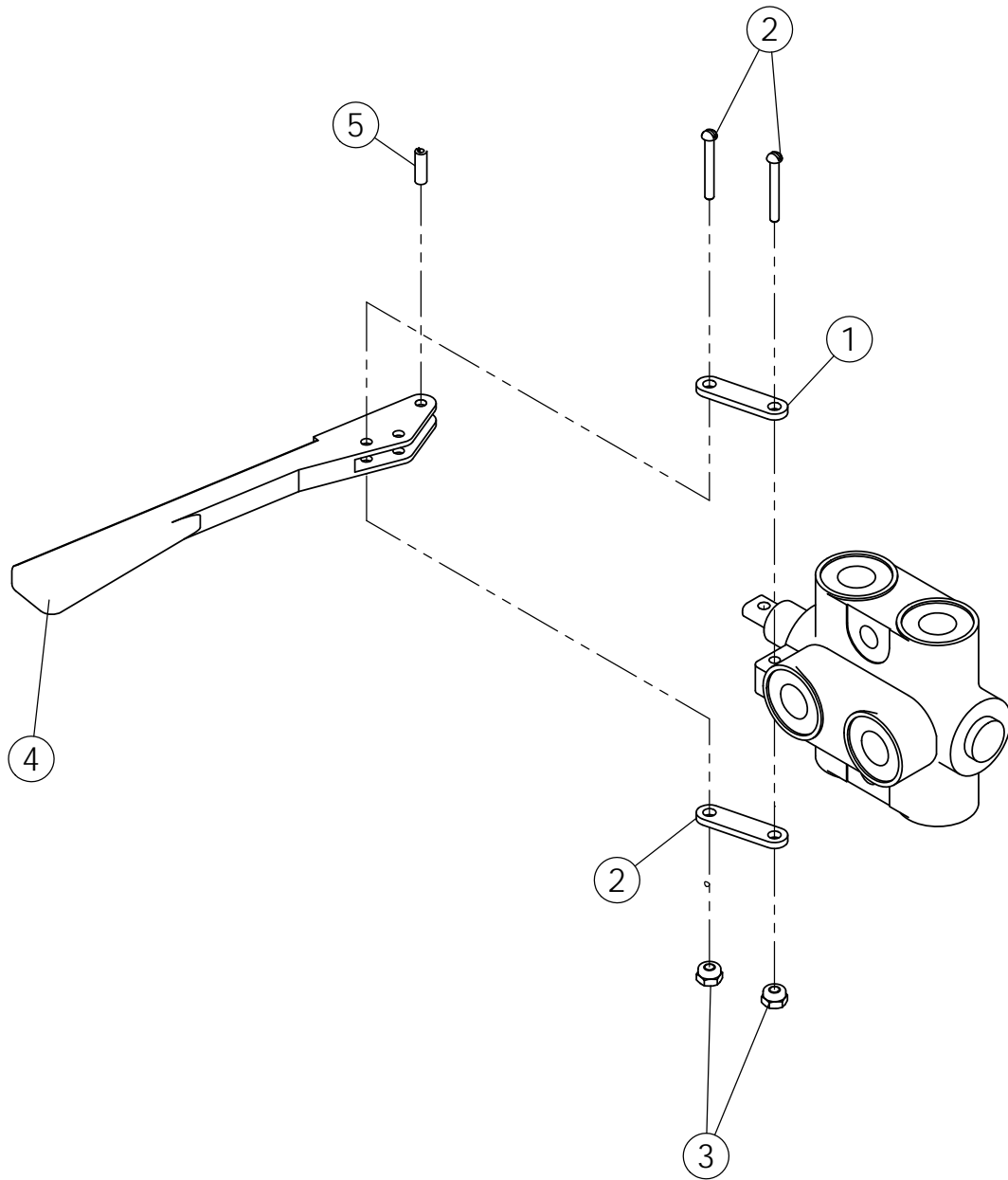
1.375" - 21 SPLINE

ITEM	PART NO.	DESCRIPTION	QTY
1	62122	KT-SAFETY SLIDE LOCK REPAIR 1.375"	1
2	54156	YOKE ASSY-SAFETY SLIDE LOCK 1.375" CAT 5	1
3	54159	KT-CROSS & BEARING CAT 5	2
4	64411	HOUSING-CV CENTER ASSY CAT 5	1
5	64398	KT-NYLON REPAIR UNIVERSAL	2
6	54161	ZERK-DRIVE LUBE FTG (PRESSED IN)	4
7	64412	GUARD SET-CV PTO HRV MAX 74" EXT.	1
8	54172	KT-CROSS & BEARING 35E SERIES	1
9	57286	ASSY-BALL SHEAR HRV	1
10	1030700	NUT-TOPLOCK: .31 NC GR5 ZP	1
11	1011285	BOLT-HEX: .31 X 2.00 NC GR5 ZP	1



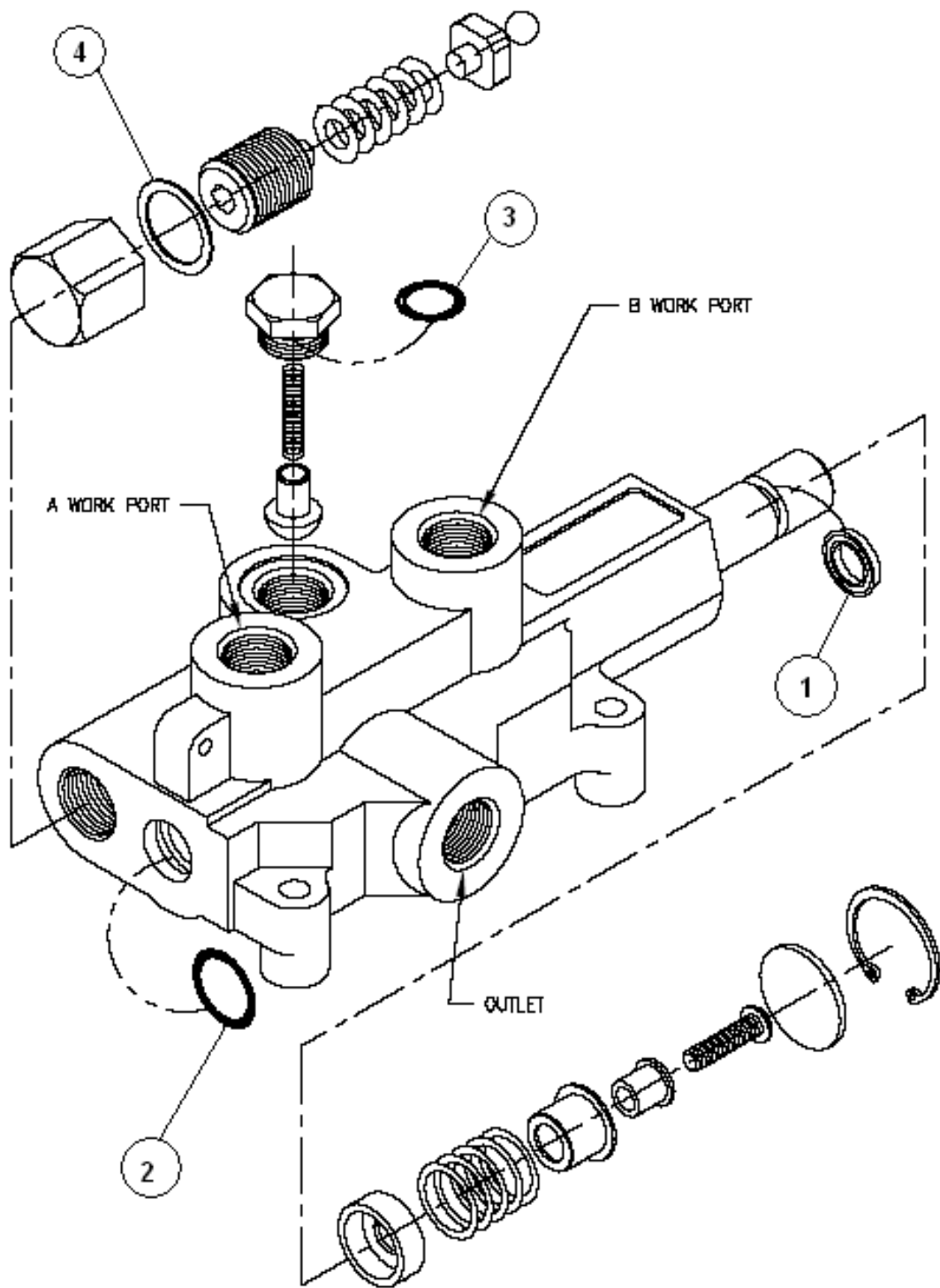
GEARBOX (1.81:1) #62396 (PRIMARY: ONBOARD OPTION)

ITEM	PART NO.	DESCRIPTION	QTY
1	62721	QUILL SHAFT	1
2	62722	SEAL: 2.00 - 3.26	1
3	62724	SNAP RING	2
4	62723	WASHER 2.00 X .13	2
5	62725	BEARING CONE	2
6	62726	BEARING CUP	2
7	62727	BEARING CUP	2
8	62728	BEARING CONE	2
9	62729	PINION-16 TOOTH	2
10	62730	SHIM: 1.75 X .007	3
11	62731	WASHER 1.75 X .179	2
	68599	WASHER 1.75 X .135	
12	62732	SNAP RING	2
13	62733	CASE-900 SERIES	1
14	64408	VENT PLUG: .50 NPT (SQ. HD.)	1
15	62735	PLUG: .50 NPT	1
16	62736	SHIM-COVER	2
17	62737	QUILL HOUSING	1
18	62738	BOLT-HEX: .38 X 1.00 NC GR5 NP	16
19	62739	QUILL SHAFT	1
20	62740	FLANGE: 'SAE B' -2.00 BOLT	1
21	62741	SFHCS: .38 X .75 NC GR5	4
22	62742	COVER-OPEN .38 NPT	1
23	62743	PLUG: .38 NPT	1
24	62744	OIL SEAL: 1.75 X .31	2
25	62745	BEARING CUP	2
26	62746	BEARING CONE	2
27	64410	GEAR-29 TOOTH	1
28	64409	THRU SHAFT	1



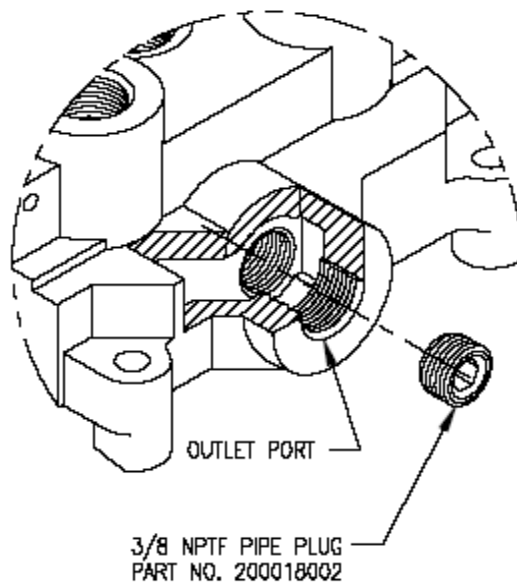
SELECTOR VALVE #58470

ITEM	PART NO.	DESCRIPTION	QTY
	64432	QUAD RING SEAL KIT	2
	58470-1	HANDLE KIT	1
1	68060	PLATE-TAB SELECTOR VALVE ZP	2
2	1011303	SCREW-MACH RND SLT: #10-24 X 1.25	2
3	65712	NUT-NYLOCK: 10-24 GR2 SS	2
4		HANDLE	1
5		SPRING PIN	1



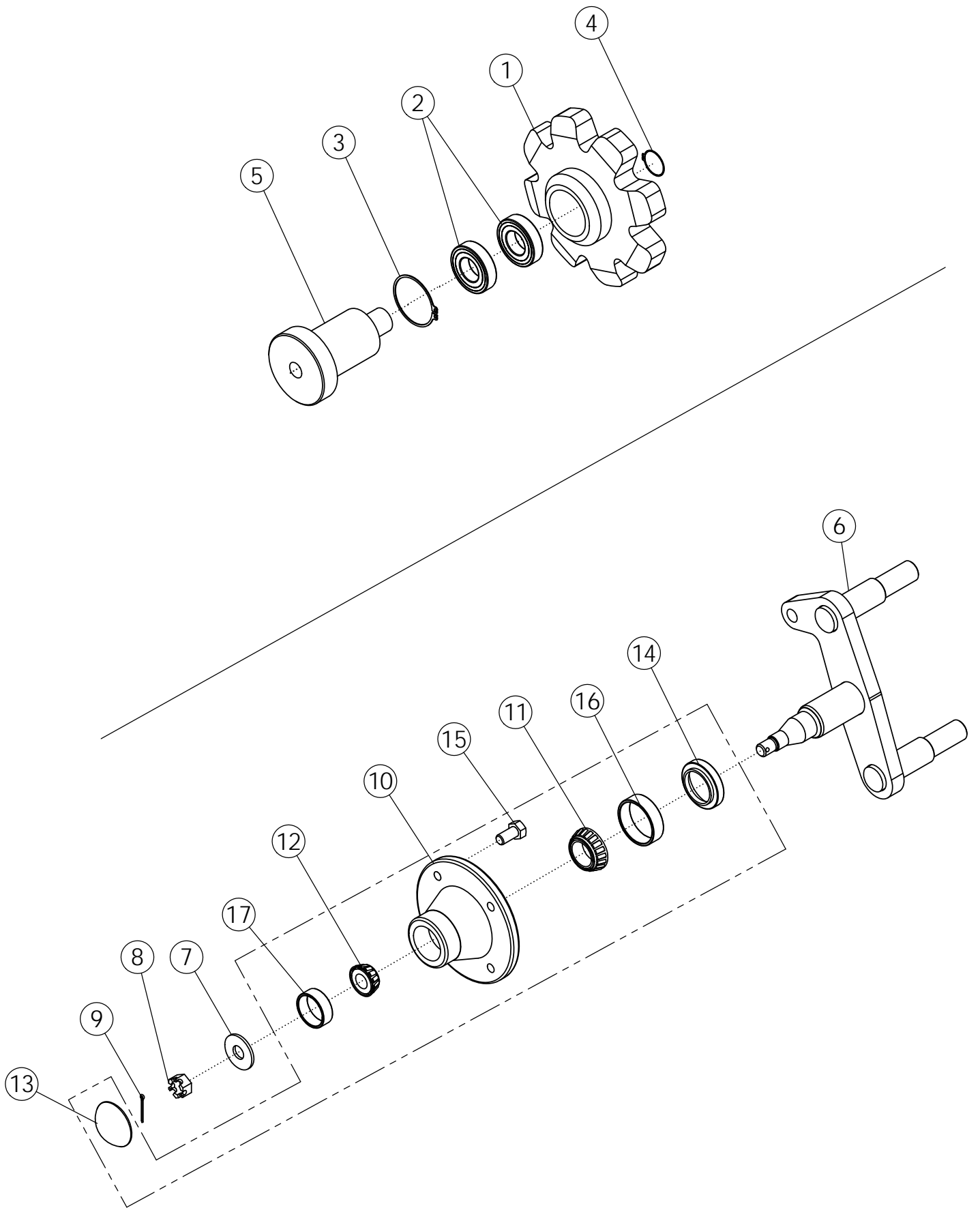
ROW FINDER VALVE #301150

ITEM	PART NO.	DESCRIPTION	QTY
	62757	SEAL KIT	
1		U-CUP	1
2		O-RING	1
3		O-RING	1
4		ALUMINUM WASHER	1



OPEN CENTER TO CLOSED CENTER CONVERSION

THIS FEATURE ALLOWS AN OTHERWISE OPEN CENTER VALVE TO BE CONVERTED TO CLOSED CENTER OPERATION. AS SHOWN ABOVE, A 3/8 NPTF PIPE PLUG IS INSTALLED IN THE BOTTOM OF THE OUTLET PORT TO BLOCK OPEN CENTER PASSAGE. A PIPE THREAD SEALANT SHOULD BE USED. THIS FEATURE IS STANDARD ON ALL VALVES WITH 3/4 NPTF INLET AND OUTLET PORTS. THE PIPE PLUG IS INCLUDED WITH THESE MODELS. DISCARD THE PIPE PLUG IF THE VALVE IS USED ON AN OPEN CENTER APPLICATION.



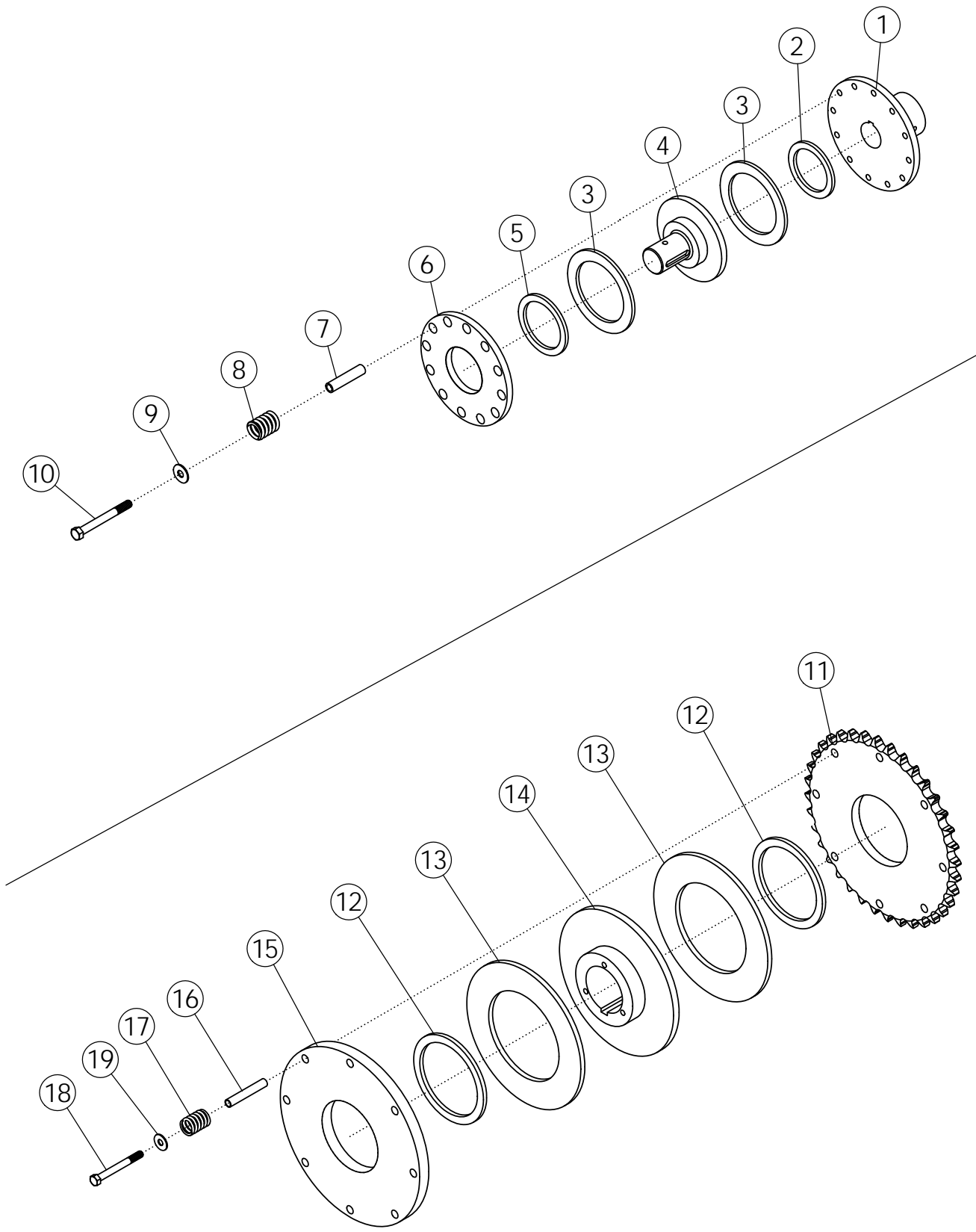
SPROCKET #54824

ITEM	PART NO.	DESCRIPTION	QTY
1	56893	SPROCKET 56MM 8T	1
2	54108	BEARING 2"	2
3	54151	SNAP RING SR11	1
4	54154	SNAP RING SR3	1
5	56892	STUB SHAFT	1

BELT TIGHTENER #56422

ITEM	PART NO.	DESCRIPTION	QTY
6	56421	WLDMT - SPINDLE	1
7	1013623	BUSHING-MACH: .63 NP	2
8	1013625	NUT-HEX: SLOT .63 NF GR5 ZP	1
9	1013626	PIN-COTTER: .16 X 1.25 ZP	1
10	1015157*	HUB-MACHINING	1
11	52245*	BEARING CONE-INNER	1
12	1013620*	CONE-BEARING	1
13	1013622*	HUB CAP	1
14	1029527*	SEAL	1
15	54646*	BOLT-LUG .50 X 1.00	4
16	1012360*	CUP-BEARING: LM 67010	1
17	1013268*	CUP-BEARING: LM 11910	1
18	56951	ASSY-HUB	1

*Items are included in item 18



SLIP CLUTCH (IN-LINE) #57926

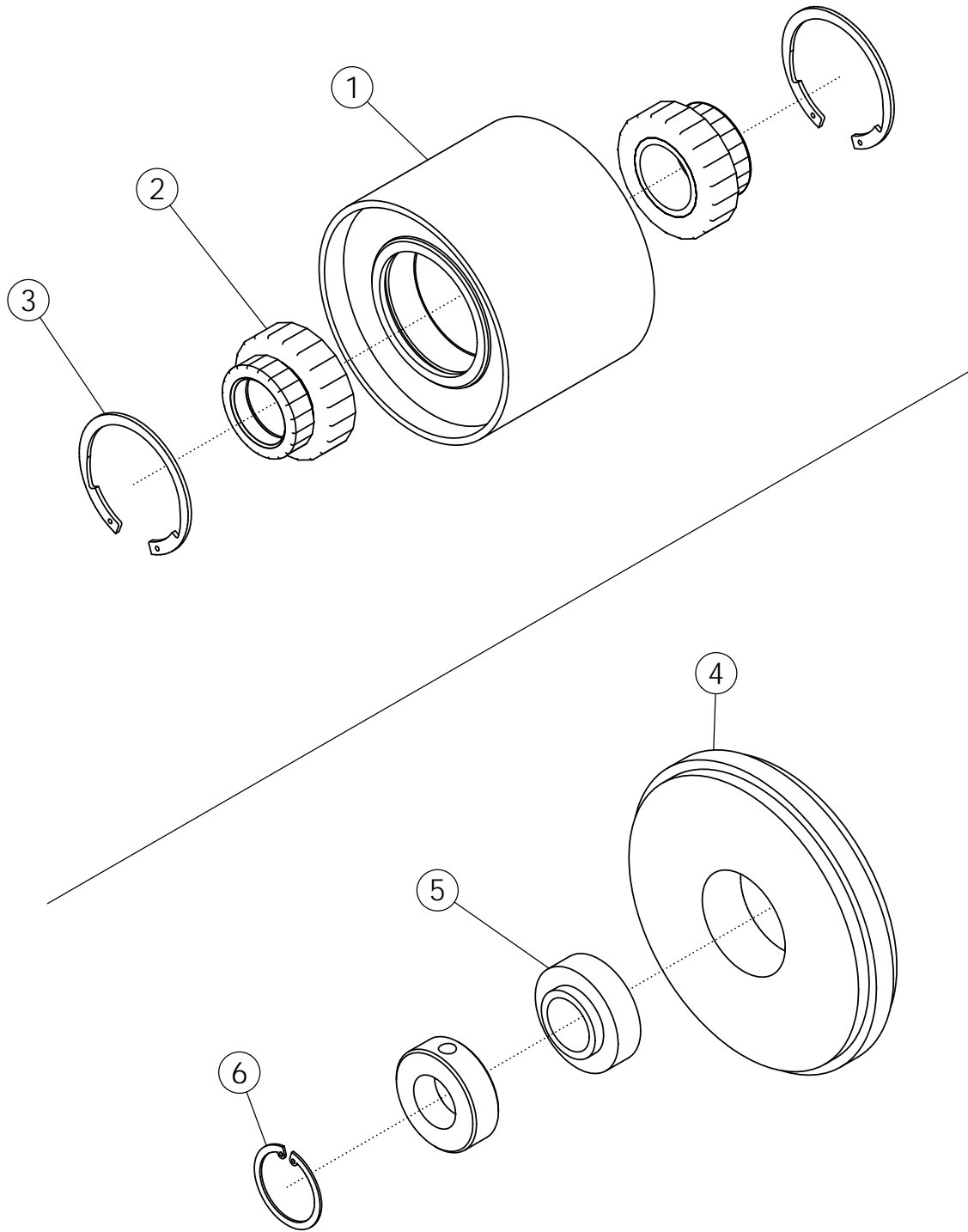
ITEM	PART NO.	DESCRIPTION	QTY
1	58168	HUB-DRIVE	1
2	58169	BUSHING-BRONZE	1
3	58170	DISC-FIBER	2
4	58171	HUB-SLIP CLUTCH	1
5	58172	BUSHING-BRONZE	1
6	58173	PLATE-SLIP CLUTCH	1
7	301701	TUBE-SLIP CLUTCH (2.38)	6
8	58174	SPRING-SLIP CLUTCH	6
9	1011828	WASHER-FLAT: .38 ZP	6
10	58176	BOLT-HEX: .38 X 3.50 NC GR5 ZP	6

SLIP CLUTCH/SPOCKET #57993

ITEM	PART NO.	DESCRIPTION	QTY
11	58177	SPROCKET	1
12	58207	BUSHING-BRONZE	2
13	58215	DISC-FIBER	2
14	58209	HUB-CLUTCH	1
15	58211	PLATE-SLIP CLUTCH	1
16	58213	TUBE-SLIP CLUTCH (2.870")	8
17	58174	SPRING-SLIP CLUTCH	8
18	58176	BOLT-HEX: .38 X 3.50 NC GR5 ZP	8
19	1011828	WASHER-FLAT: .38 ZP	8

SLIP CLUTCH/SPOCKET #58335

ITEM	PART NO.	DESCRIPTION	QTY
11	58566	SPROCKET	1
12	58208	BUSHING-BRONZE	2
13	58216	DISC-FIBER	2
14	58210	HUB-CLUTCH	1
15	58212	PLATE-SLIP CLUTCH	1
16	301701	TUBE-SLIP CLUTCH (2.38)	6
17	58174	SPRING-SLIP CLUTCH	6
18	1013239	BOLT-HEX: .38 X 3.00 NC GR5 ZP	6
19	1011828	WASHER-FLAT: .38 ZP	6



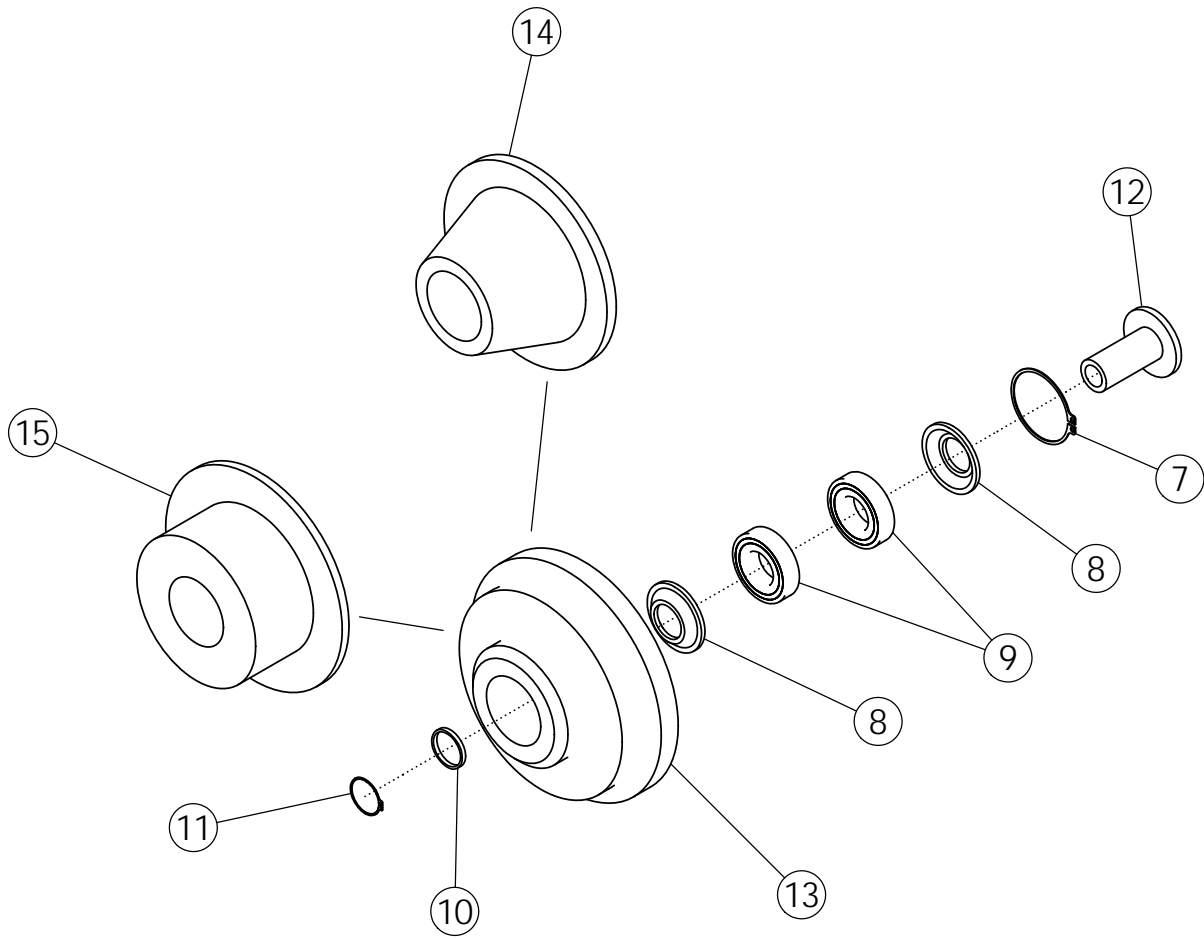
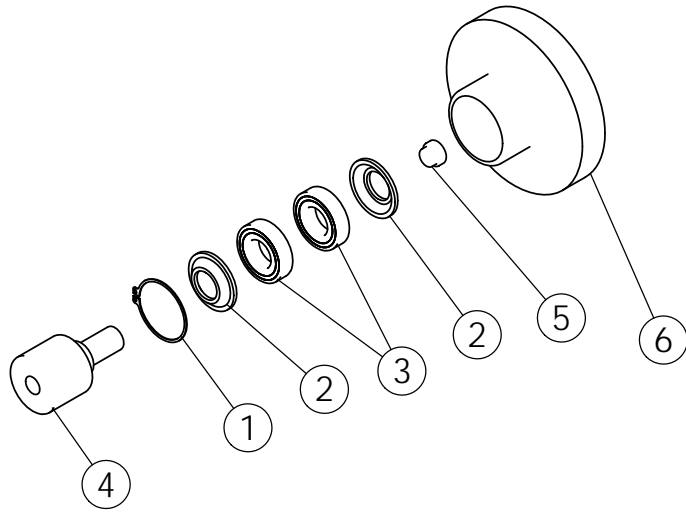
IDLER PULLEY #56409

ITEM	PART NO.	DESCRIPTION	QTY
1	56408	WLDMT-PULLEY 8R	1
2	56399	BALL BEARING 1.75	2
3	56400	RETAINING RING	2

SPROCKET IDLER #56851

ITEM	PART NO.	DESCRIPTION	QTY
4	56851*	ROLLER-IDLER	1
5	58806	BEARING-IDLER	1
6	58805	SNAP-RING	1

*COMES WITH ITEMS 5 &6

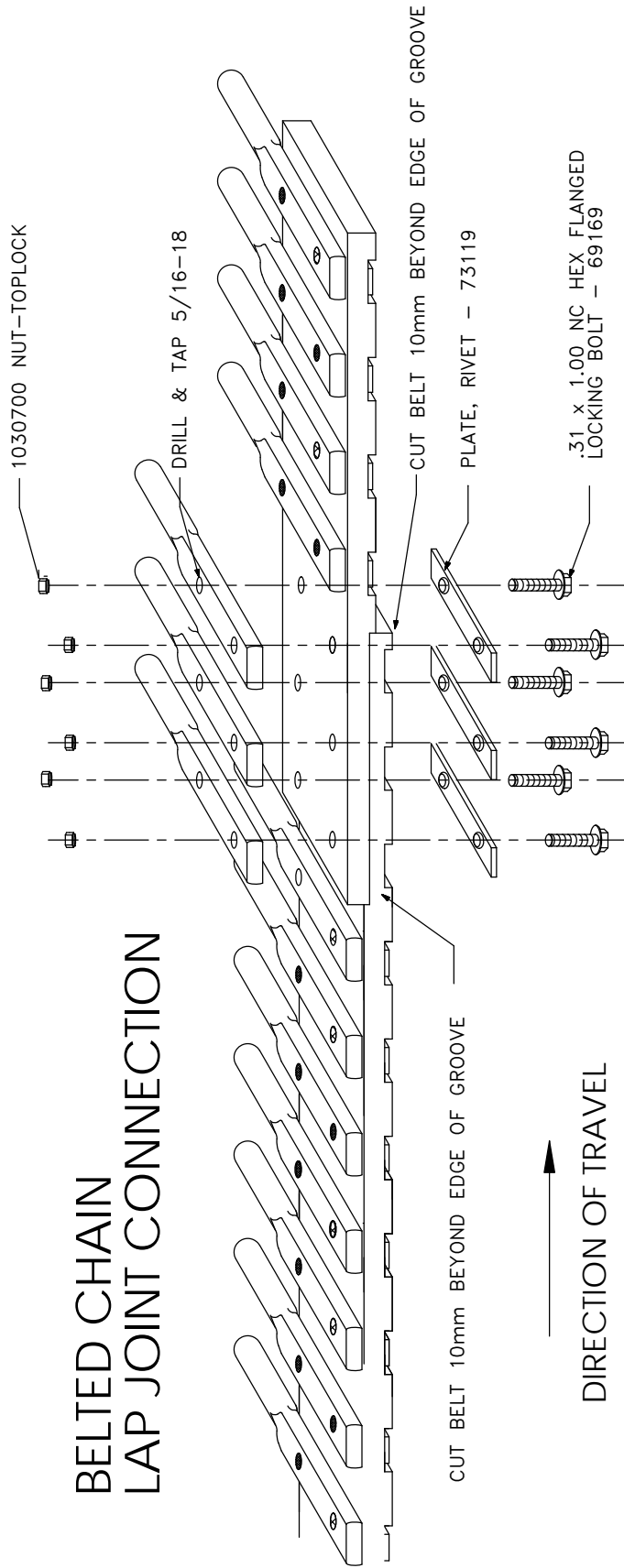


ROLLERS

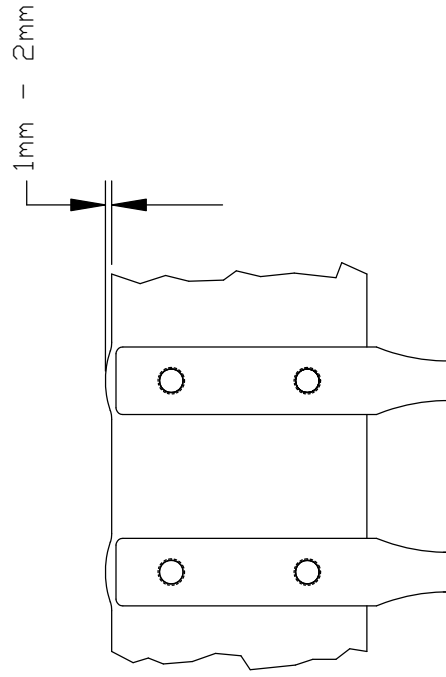
ITEM	PART NO.	DESCRIPTION	QTY
1	54151	SNAP RING SR11	1
2	54152	WASHER	2
3	54108	BEARING 2"	2
4	56885	STUB SHAFT LONG	1
5	62702	STUB SHAFT SHORT	1
6	54042**	ROLLER-STEP 6"	1
* *COMES WITH ITEMS 1-5			
7	54151	SNAP RING SR11	1
8	54152	WASHER	2
9	54108	BEARING 2"	2
10	54153	SPACER-NRS	1
11	54154	SNAP RING SR3	1
12	56889	STUB SHAFT	1
13	53951*	ROLLER-STEP FLANGE 7"	1
12	54155	STUB SHAFT	1
14	53950*	ROLLER-CONE 6"	1
12	54155	STUB SHAFT	1
15	59057*	ROLLER-RUBBER FLANGE 6.5"	1

* COMES WITH ITEMS 7-12

BELTED CHAIN LAP JOINT CONNECTION



WARNING : ENSURE THAT SCREWS ARE SUFFICIENTLY TIGHT TO PRODUCE A BULGE AT THE EDGE OF THE BELT OF BETWEEN 1 AND 2mm (SEE DIAGRAM). FAILURE TO DO SO MAY CAUSE PREMATURE FAILURE AND VOID YOUR WARRANTY

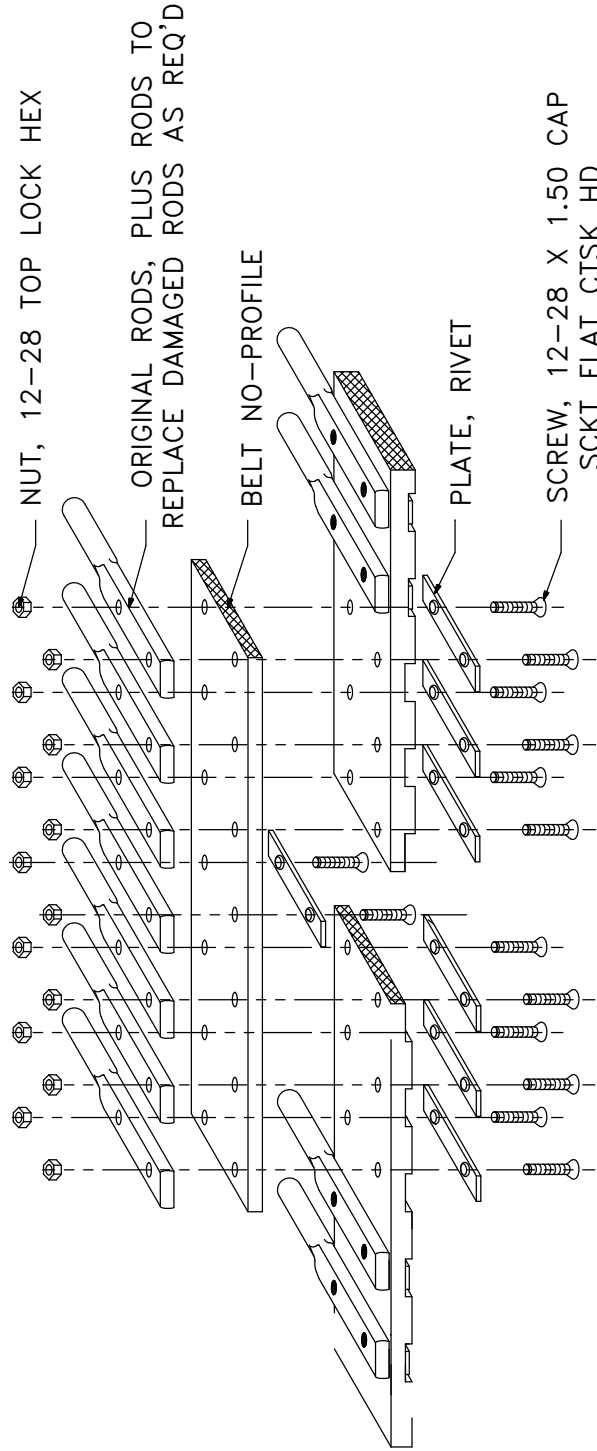


Elevator (Standard)			
Machine	Rod Diameter	ST	FLT
6R/8R	0.5	73122	69336
Elevator (Double)			
Machine	Rod Diameter	ST	FLT
6R/8R	0.5	301528	301526
Apron			
Machine	Rod Diameter	ST	UP
6R22/8R22	0.5	73122	73123
6R22/8R22	0.625	69660	69661
6R30	0.625	64994	69953

REPAIR KIT - BELTED CHAIN #59180

KIT CONSISTS OF:

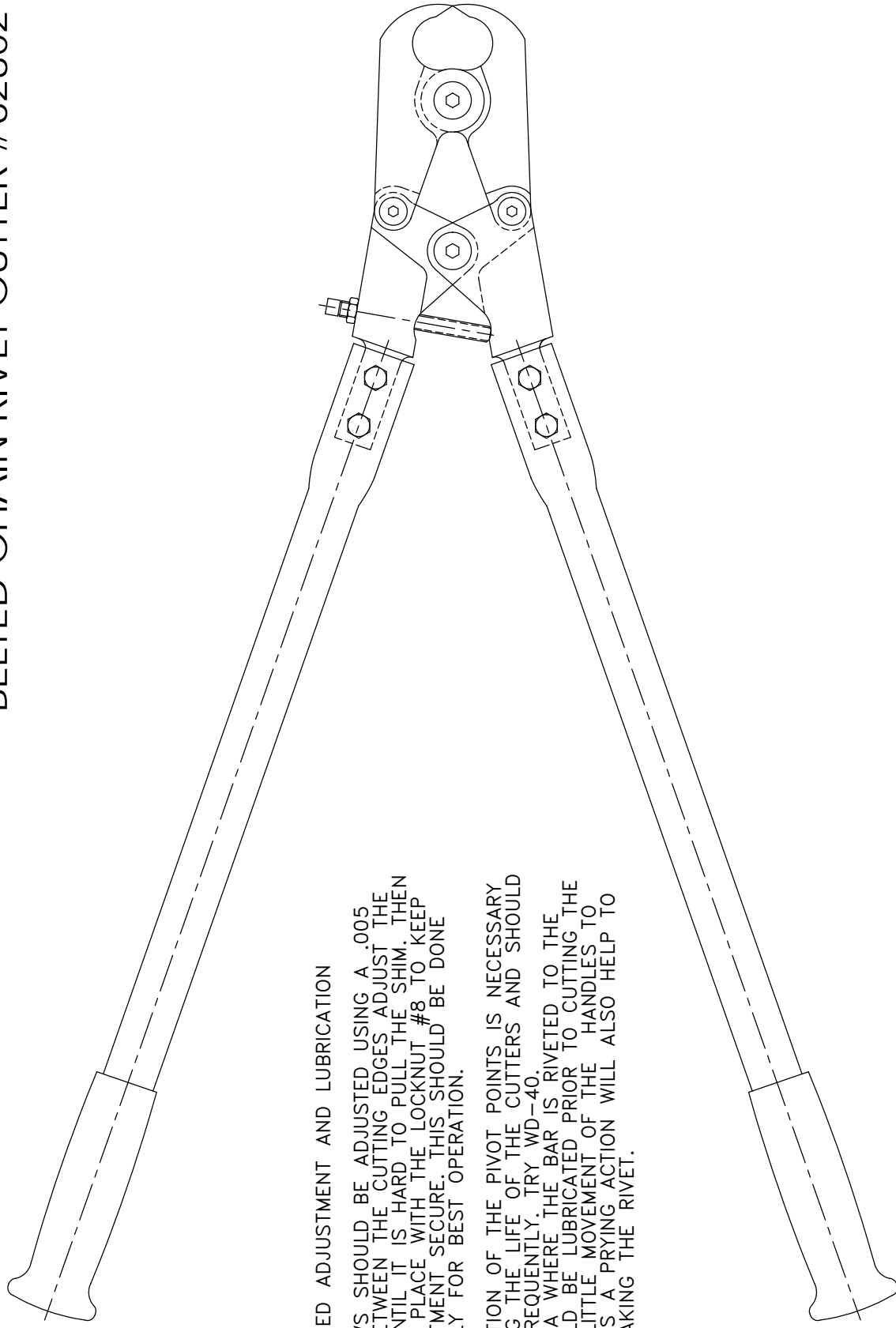
- 1.25 FT - BELT, NO-PROFILE
- 8 EA - PLATE, RIVET
- 16 EA - SCREW
- 16 EA - NUT



REPAIR PROCEDURE

1. REMOVE RIVETS 3 PITCHES (MIN) EACH SIDE OF DAMAGED BELT.
2. TRIM OUT DAMAGED BELT.
3. CUT NO-PROFILE BELT TO GIVE MINIMUM OF 3 PITCHES OVERLAP BOTH SIDES OF DAMAGE.
4. LAY NO-PROFILE BELT ON BELT TO BE REPAIRED AND DRILL HOLES TO MATCH PITCH.
5. ASSEMBLE AS SHOWN.
6. TIGHTEN SCREWS TO FORM APPROXIMATELY 2mm BELT SWELL AT BOLTED JOINT.
7. CUT OFF SCREWS NEXT TO NUTS.
8. PEEN SCREWS TO SECURE NUTS.

BELTED CHAIN RIVET CUTTER #62802



RECOMMENDED ADJUSTMENT AND LUBRICATION

1. THE JAWS SHOULD BE ADJUSTED USING A .005 IN. SHIM BETWEEN THE CUTTING EDGES. ADJUST THE BOLT #7 UNTIL IT IS HARD TO PULL THE SHIM. THEN LOCK IT IN PLACE WITH THE LOCKNUT #8 TO KEEP THE ADJUSTMENT SECURE. THIS SHOULD BE DONE PERIODICALLY FOR BEST OPERATION.
2. LUBRICATION OF THE PIVOT POINTS IS NECESSARY TO PROLONG THE LIFE OF THE CUTTERS AND SHOULD BE DONE FREQUENTLY. TRY WD-40.
3. THE AREA WHERE THE BAR IS RIVETED TO THE BELT SHOULD BE LUBRICATED PRIOR TO CUTTING THE RIVETS. A LITTLE MOVEMENT OF THE HANDLES TO THE SIDE AS A PRYING ACTION WILL ALSO HELP TO FINISH BREAKING THE RIVET.