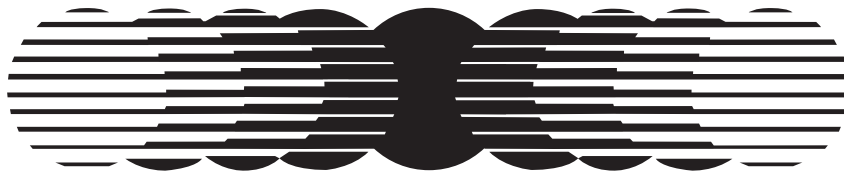


PARTS MANUAL

2017
HARVESTER
6 ROW 30 - SCRUB

Amity
TECHNOLOGY



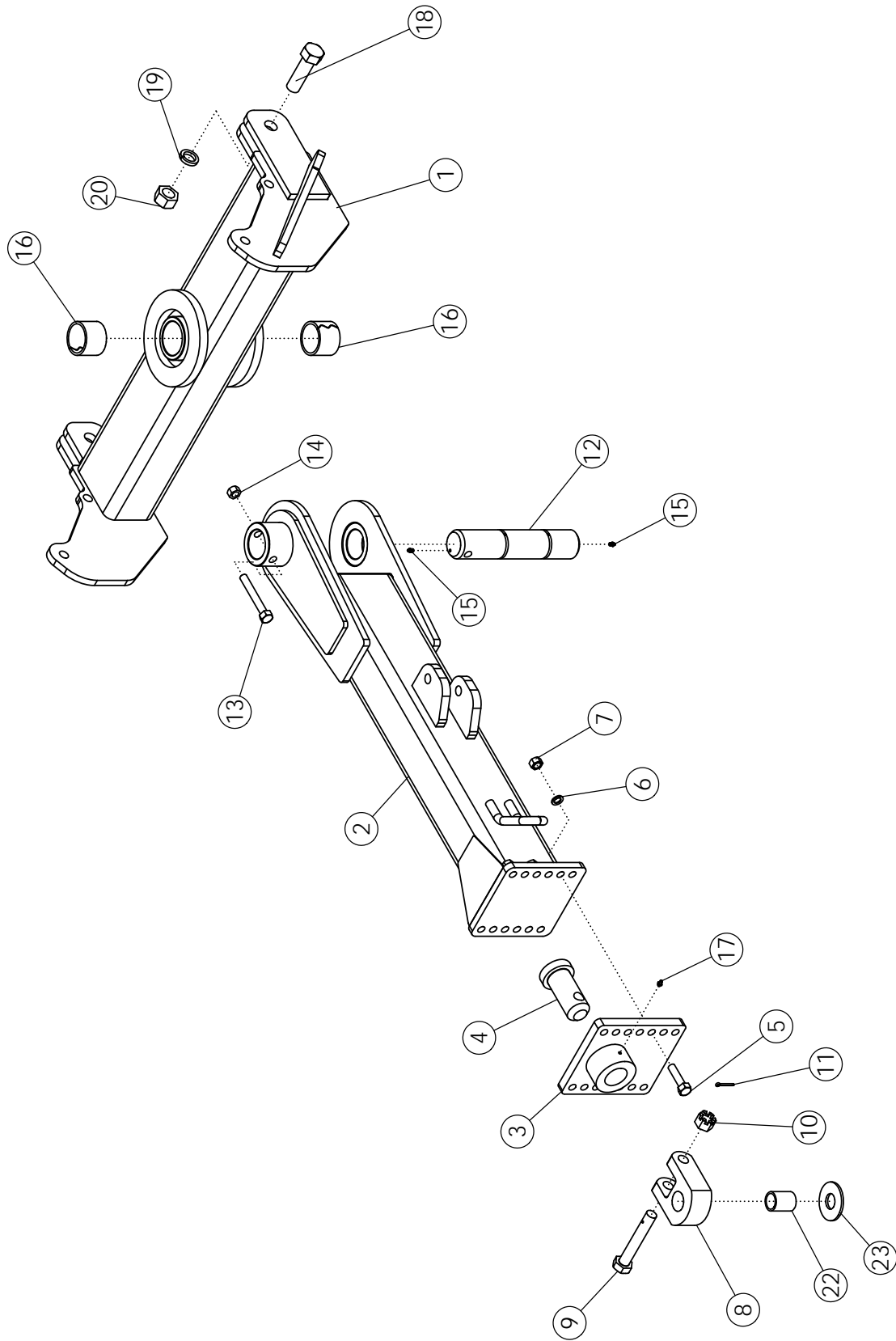
2800 7TH Avenue North
Fargo, ND 58102

Phone: (701) 232-4199
Fax: (701) 234-1716
www.amitytech.com

TABLE OF CONTENTS

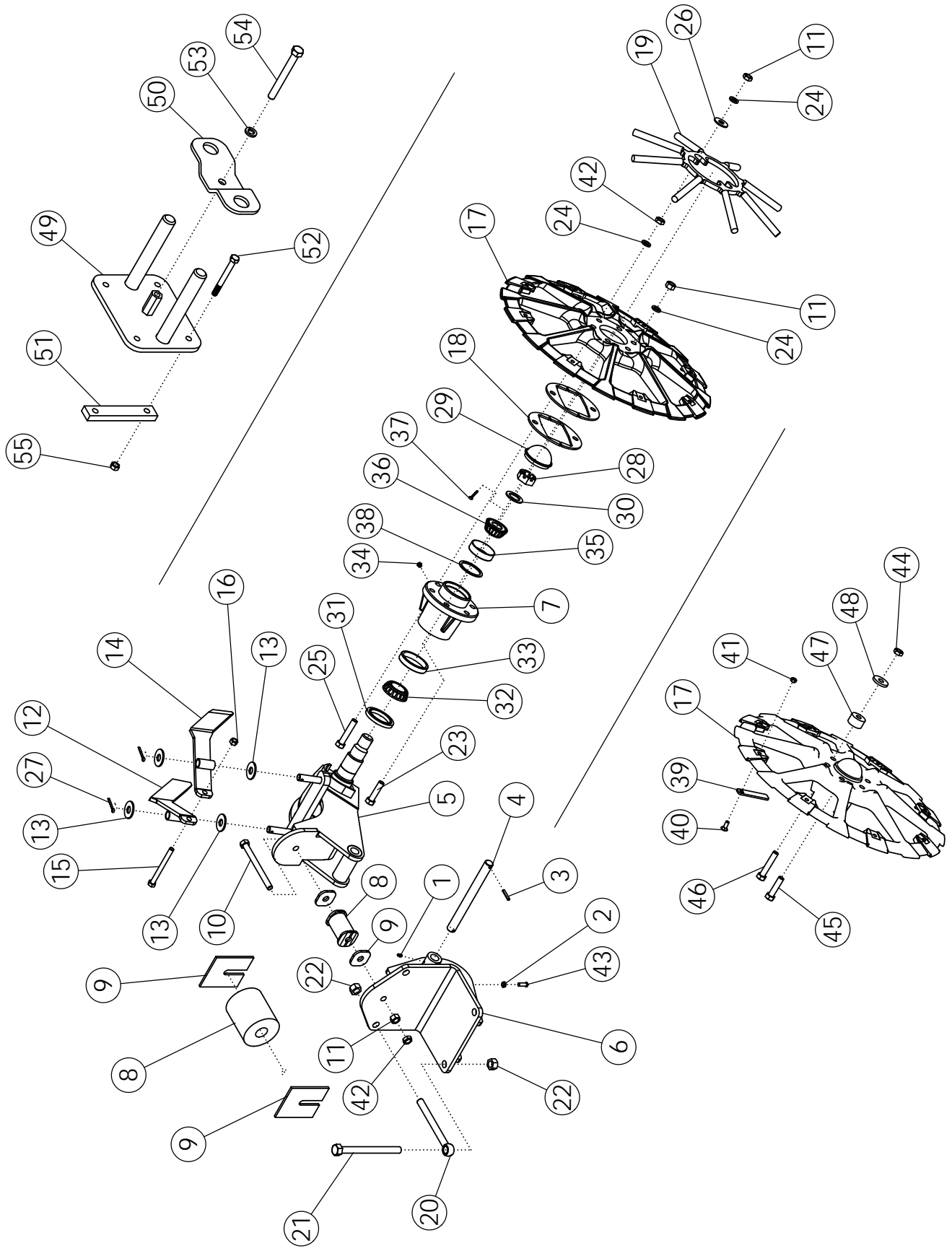
HITCH ASSEMBLY.....	1-2
LIFTER STRUT.....	3-10
ROW FINDER #51486.....	11-14
GUARDS & SHIELDS.....	15-18
DOOR ASSEMBLY.....	19-20
APRON SHAFT.....	21-26
PADDLE SHAFT.....	27-30
CLEANING ROLLS.....	31-34
CLEANING ROLL MOUNTING PACKAGE.....	35-36
MAIN DRIVE.....	37-38
MAIN DRIVE: ONBOARD OPTION.....	39-40
CLEANING ROLL DRIVE.....	41-42
APRON/PADDLE SHAFT DRIVE.....	43-44
TANK.....	45-46
ELEVATOR AND BOOM ASSEMBLY.....	47-50
BOOM EXTENSION 50MM/56MM (OPTIONAL).....	51-54
REAR SCRUB.....	55-58
REAR SCRUB: BELTED CHAIN.....	59-64
REAR SCRUB: HOOK CHAIN.....	65-66
REAR SCRUB DRIVE: GEARBOX.....	67-68
REAR SCRUB DRIVE: SINGLE MOTOR.....	69-72
REAR SCRUB DRIVE: DUAL MOTOR.....	73-74
STANDARD REAR STRUTS 11.2 X 24.....	75-78
STANDARD REAR STRUTS 14.9 X 30.....	79-80
STEERABLE REAR STRUTS.....	81-84
REAR STRUT STD ADJ 23.5/55-26.....	85-86
ROW FINDER & HITCH HYDRAULICS.....	87-88
VALVE GROUP: DUAL MOTOR SCRUB.....	89-90
TANK HYDRAULICS.....	91-92
HYDRAULIC TANK.....	93-94
LIGHT KIT.....	95-98
HARVESTER STAND #63357 (OPTIONAL).....	99-100
PTO DRIVELINE 1.75" – 20 SPLINE #301558.....	101-102
PTO DRIVELINE 1.38" – 21 SPLINE #301575.....	103-104
DRIVELINE COMPONENTS.....	105-106
GEARBOX (1.81:1) #63846	107-108
GEARBOX (1.81:1): ONBOARD OPTION #62396	109-110
GEARBOX (1.35:1) #63847.....	111-112
GEARBOX (1:1.35) #63848.....	113-114

SELECTOR VALVE #58470.....	115-116
ROW FINDER VALVE #301150.....	117-118
SPROCKET #54824.....	119-120
BELT TIGHTENER #56422.....	119-120
SLIP CLUTCH (IN-LINE) #57926.....	121-122
SLIP CLUTCH/SPROCKET #57993.....	121-122
SLIP CLUTCH/SPROCKET #58335.....	121-122
SLIP CLUTCH/SPROCKET #69630.....	123-124
IDLER PULLEY #56409.....	125-126
SPROCKET IDLER #56851.....	125-126
REVERSE PULLEY #301822.....	127-128
ROLLERS.....	129-130
SCRUB DRIVELINE ASSEMBLY.....	131
BELT LAP JOINT.....	132
BELT REPAIR KIT.....	133
TOOL CUTTER.....	134
DECALS.....	135-140
HYDRAULIC LABEL ASSY.....	141-142



HITCH ASSEMBLY

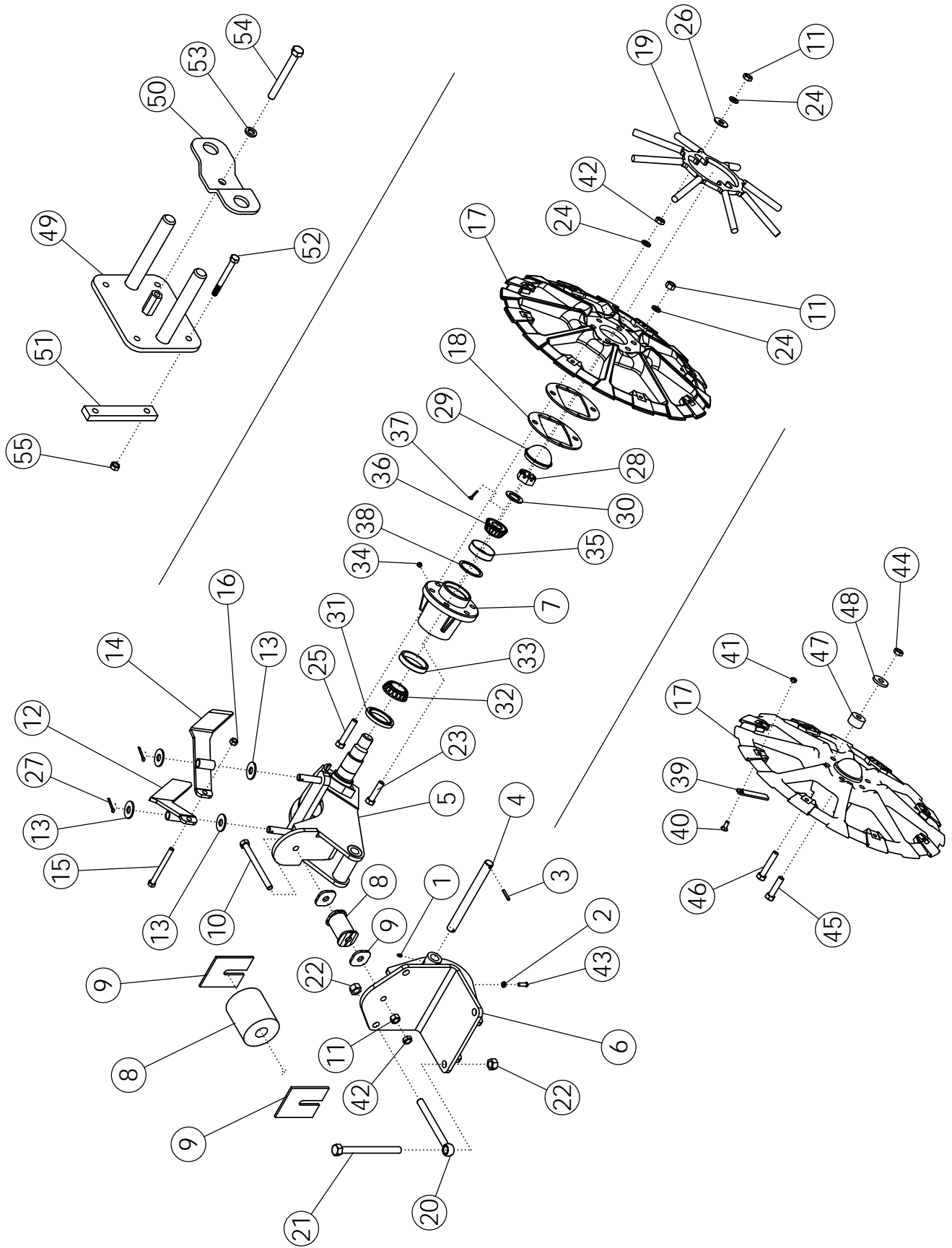
ITEM	PART NO.	DESCRIPTION	QTY
1	301660	WLDMT - HITCH PIVOT 6R/8R STD	1
2	301582	WLDMT - DRAWPOLE EXTENDED	1
3	57930	WLDMT-HITCH PLATE	1
4	62101	WLDMT-PIN	1
5	1012059	BOLT-HEX: .75 X 3.00 NC GR5 ZP	6
6	1012061	WASHER-LOCK: .75 ZP	6
7	1011620	NUT-HEX: .75 NC	6
8	64476	PLATE-PULL HITCH	1
9	62477	BOLT-HITCH DRILLED	1
10	62088	NUT-SLOTTED: 1.13 NC GR5 ZP	1
11	1013473	PIN-COTTER: .19 X 2.00 NP	1
12	301590	PIN-HITCH PIVOT	1
13	69911	BOLT-HEX: .75 X 5.5 NC GR5 ZP	1
14	1017000	NUT-TOPLOCK: .75 NC GR5 ZP	1
15	1030883	ZERK-GREASE: .3125 UNF STRAIGHT	2
16	301591	SPRING BUSHING 3.50 X 3.00 X 2.50	2
17	1011748	ZERK - GREASE: .25 UNF STRAIGHT	1
18	72021	BOLT-HEX: 1.38 X 4.50 NC GR5 ZP	2
19	1030760	WASHER-LOCK: 1.38 ZP	2
20	1030758	NUT-HEX: 1.38 NC ZP	2
21	69256	CHAIN-SAFETY 41000# (NOT SHOWN)	1
22	64614	TUBE-SPACER 2.0 X 1.63	1
23	58925	WASHER-HARDENED 4.000 X 1.625	1
	68645	WASHER-FLAT: SPCL 2.125 X 4.50 X .184	



LIFTER STRUT

ITEM	PART NO.	DESCRIPTION	QTY
1	1011748	ZERK - GREASE: .25 UNF	2
2	1013519	NUT-JAM: .38 NC GR2 ZP	2
3	59398	PIN-ROLL: .25 X 1.50 ZP	2
4	69907	SHAFT-STRUT	1
5	50142	WLDMT-STRUT SPINDLE ASSY	1
6	50146	WLDMT-STRUT BRACKET	1
7	63655	HUB-MACHINED	2
8	50134	WLDMT-SPACER ZP	1
	51542	BUMPER-RUBBER	1
9	50137	WASHER SQUARE ZP	2
	50139	PLATE-LIFTER STRUT SPACER ZP	4
10	1030761	BOLT-HEX: .63 X 7.00 NC GR 8 ZP	1
11	1011578	NUT-HEX: .63 NC GR5 ZP	13
12	50715	WLDMT-SCRAPER RH	1
13	1030702	WASHER-FLAT: .75 ZP	4
14	50716	WLDMT-SCRAPER LH	1
15	1011669	BOLT-HEX: .50 X 6.00 NC GR5 ZP	1
16	1027461	NUT-TOPLOCK: .50 NC GR5 ZP	1
17	69855	LIFTER WHEEL MACHINED	2
	300734	LIFTER WHEEL HARD PAINTED	
18	50747	PLATE-LIFTER WHEEL SPACER ZP	AR
19	63880	WLDMT-WHEEL FILLER (OPTIONAL)	2
20	64135	BOLT-EYE: .75 X 8.00 ZP	2
21	64136	BOLT-HEX: .75 X 8.50 NC GR5 ZP	2
22	1017000	NUT-TOPLOCK: .75 NC GR5 ZP	4
23	1013023	BOLT-HEX: .63 X 2.50 NC GR5 ZP	8
24	1011813	WASHER-LOCK: .63 ZP	16
25	65825	BOLT-HEX: .63 X 3.25 NC GR5 ZP	4
26	1013024	WASHER-FLAT: .63 ZP	4
27	1013473	PIN-COTTER: .19 X 2.00 NP	2
28	1016367	NUT-SPINDLE: 1.38 NF NP	2
29	63624	HUB CAP ROUNDED ZP	2
30	1030765	BUSHING-MACHINED: 1.38 NR 10 GA	2
31	53632	SEAL	2
32	53634	CONE-BEARING INNER	2
33	53636	CUP-BEARING INNER	2
34	1030766	ZERK - GREASE .13 NPT STRAIGHT	2
35	53635	CUP-BEARING OUTER	2
36	53633	CONE-BEARING OUTER	2
37	64012	PIN-COTTER: .19 X 3.00 NP	2

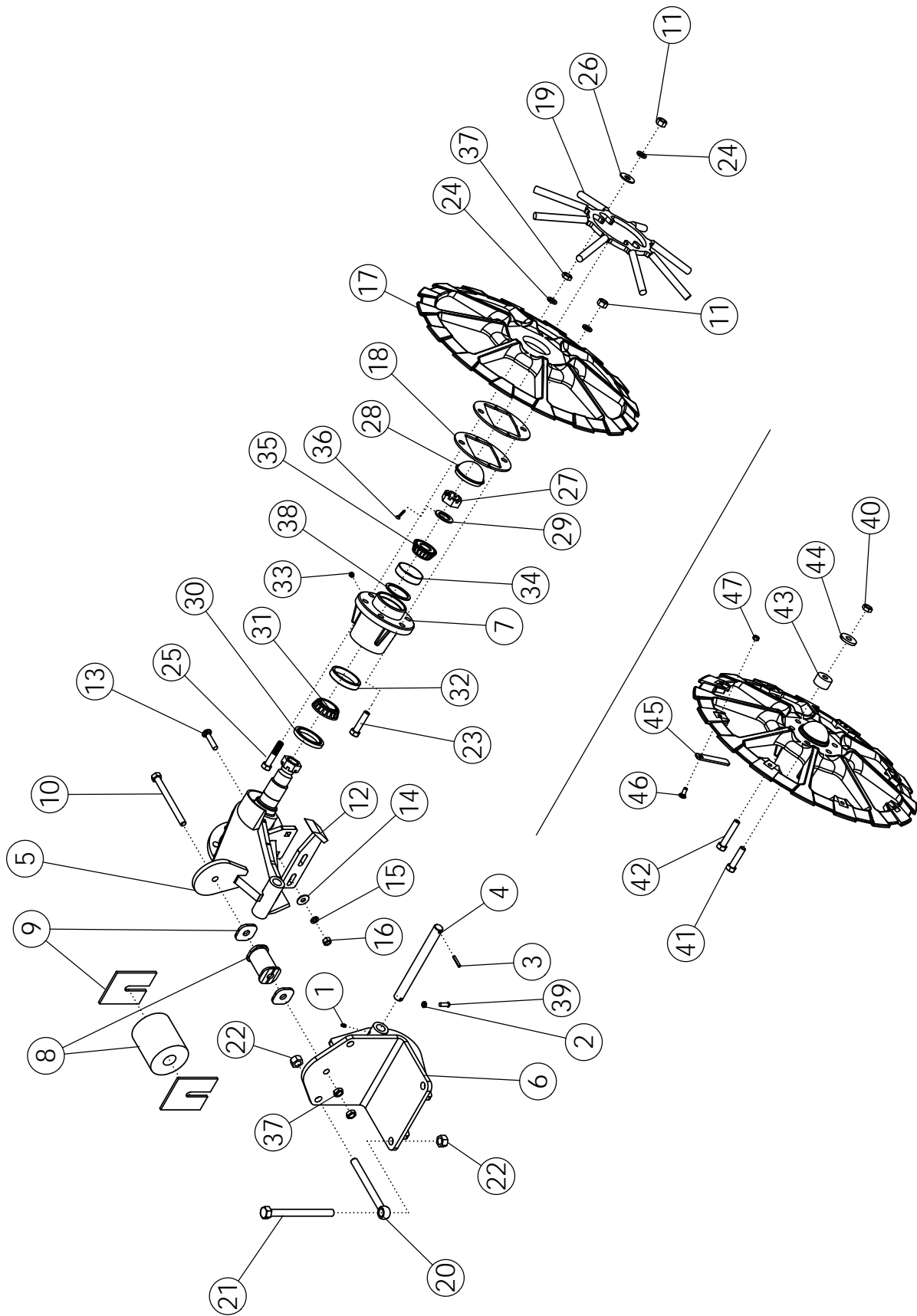
CONTINUE



LIFTER STRUT (CONTINUED)

ITEM	PART NO.	DESCRIPTION	QTY	
38	64674	RACE-SPACER (.120)	AR	
39	300097	PLATE-LIFTER WHEEL FILLER	16	
40	59488	BOLT-CRG: .38 X 1.00 NC GR5 ZP	16	
41	1016999	NUT-TOPLOCK: .38 NC GR5 ZP	16	
42	1026259	NUT-JAM: .63 NC GR2 ZP	5	
43	50813	SCREW-SET: SQ HD .38 X 1.00 ZP	2	
OPTIONAL URETHANE BUSHING				
44	1016595	NUT-TOPLOCK: .63 GR5 ZP	12	
45	59093	BOLT-HEX: .63 X 3.75 NC GR5 ZP	8	
46	1013935	BOLT-HEX: .63 X 4.50 NC GR5 ZP	4	
47	51705	BUSHING	12	
	301975	BUSHING-URETHANE .67"		
48	301324	WASHER-CUSTOM: .668 ID X 1.875 OD X .235	12	
OPTIONAL WHEEL FILLER BRACKET			6-8ROW	12 ROW
49	64658	WLDMT-WHEEL FILLER BRACKET	2	3
50	64659	PLATE-RETAINER	2	3
51	63372	BAR-BACKING	4	6
52	58176	BOLT-HEX: .38 X 3.50 NC GR5 ZP	8	12
53	1011581	WASHER-LOCK: .50 ZP	2	3
54	1011618	BOLT-HEX: .50 X 5.00 NC GR5 ZP	2	3
	1013682*	BOLT-HEX: .50 X 4.50 NC GR5 ZP	2	-
55	1016999	NUT-TOPLOCK: .38 NC GR5 ZP	8	12

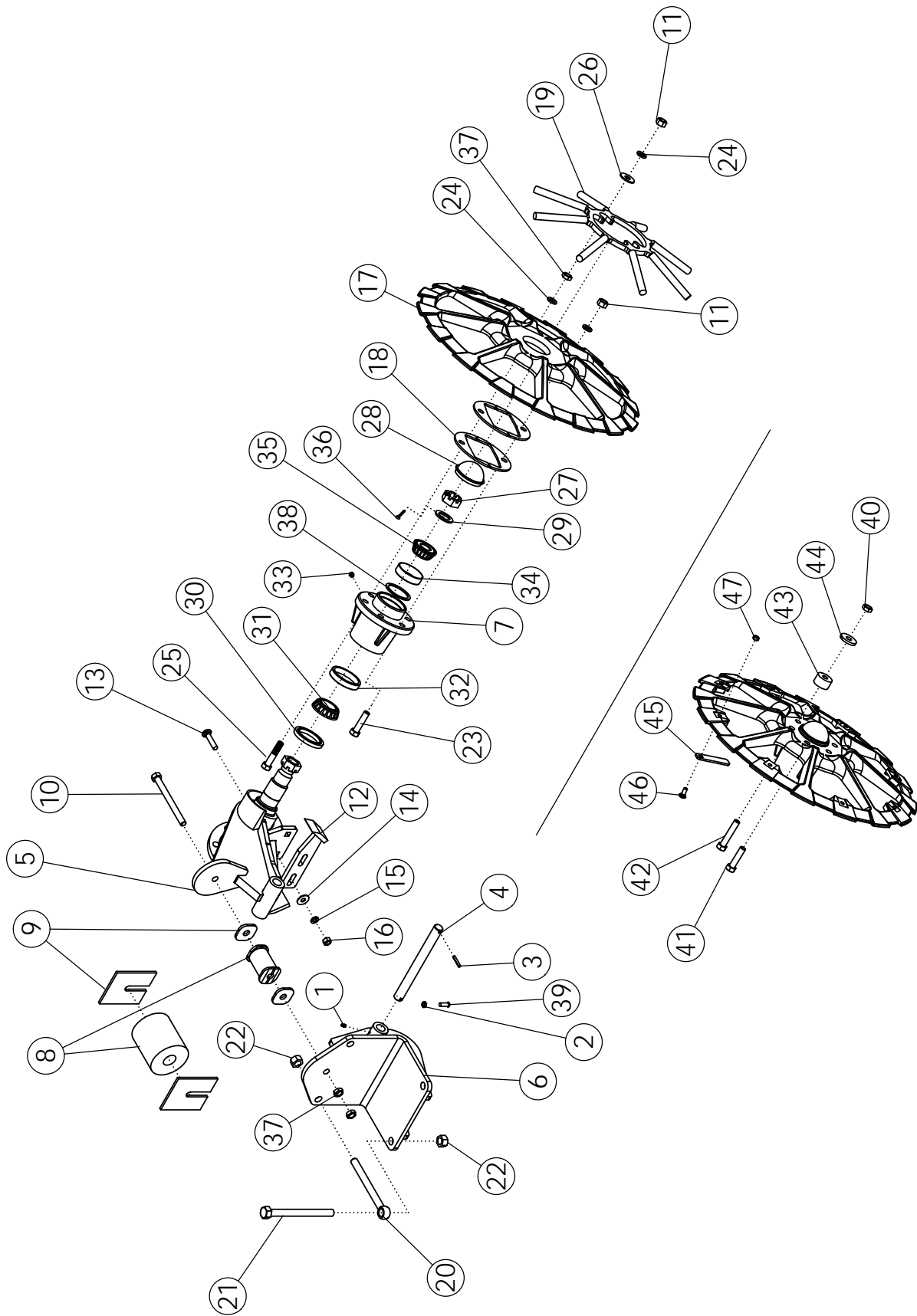
* 6 ROW ONLY



LIFTER STRUT - BOTTOM SCRAPER OPTION

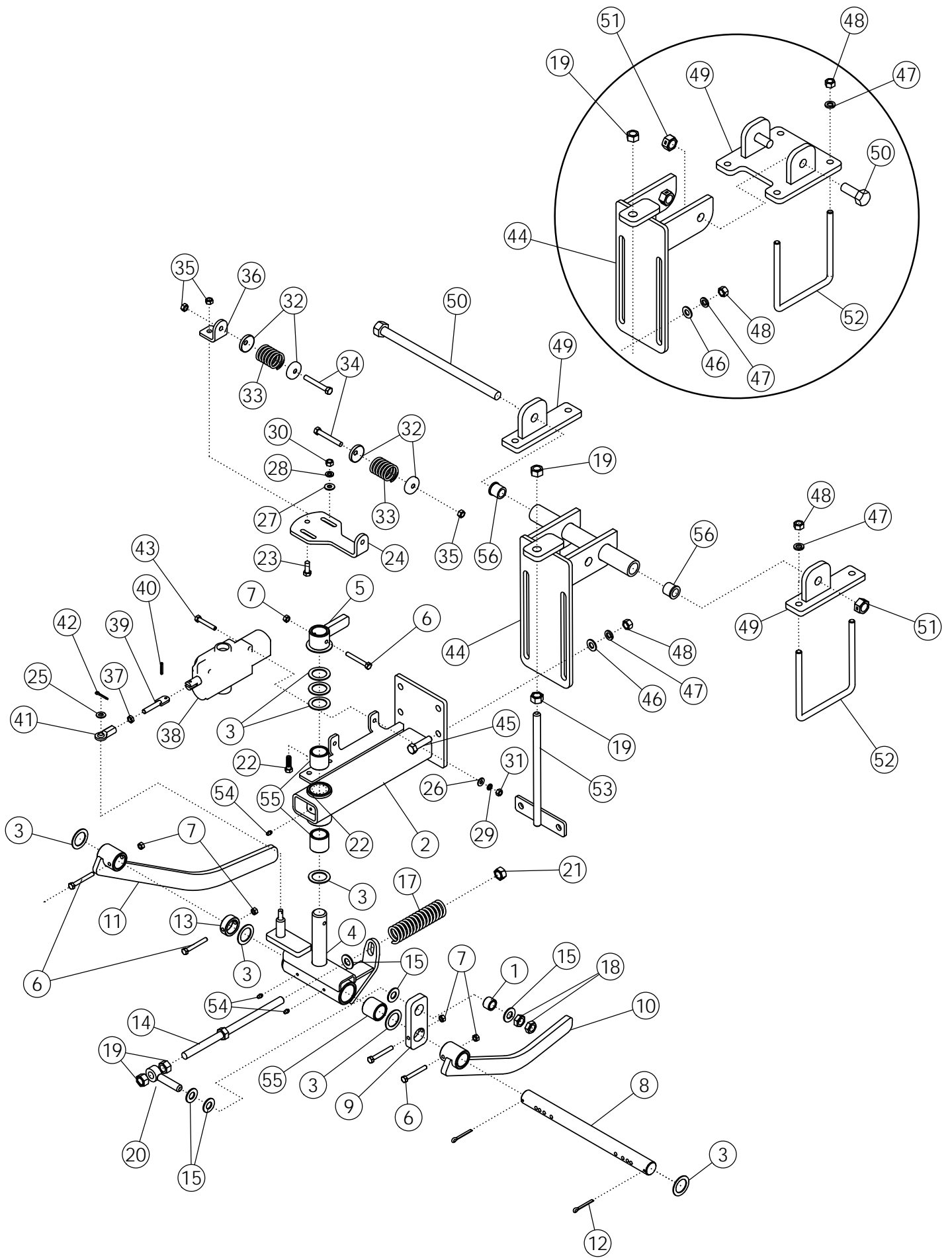
ITEM	PART NO.	DESCRIPTION	QTY
1	1011748	ZERK - GREASE: .25 UNF	2
2	1013519	NUT-JAM: .38 NC GR2 ZP	2
3	59398	PIN-ROLL: .25 X 1.50 ZP	2
4	69907	SHAFT-STRUT	1
5	68095	WLDMT-SP LIFTER STRUT STD	1
6	50146	WLDMT-STRUT BRACKET	1
7	63655	HUB-MACHINED	2
8	50134	WLDMT-SPACER ZP	1
	51542	BUMPER-RUBBER	1
9	50137	WASHER SQUARE ZP	2
	50139	PLATE ZP	4
10	1030761	BOLT-HEX: .63 X 7.00 NC GR 8 ZP	1
11	1011578	NUT-HEX: .63 NC GR5 ZP	13
12	64369	WLDMT-SCRAPER	2
13	64685	BOLT-CRG: .50 X 2.25 NC GR5 ZP	2
14	1014443	WASHER-FLAT: .50 ZP	2
15	1011581	WASHER-LOCK: .50 ZP	2
16	1011577	NUT-HEX: .50 NC GR5 ZP	2
17	69855	LIFTER WHEEL MACHINED	2
	300734	LIFTER WHEEL HARD PAINTED	
18	50747	PLATE-LIFTER WHEEL SPACER ZP	AR
19	63880	WLDMT-WHEEL FILLER (OPTIONAL)	2
20	64135	BOLT-EYE: .75 X 8.00 ZP	2
21	64136	BOLT-HEX: .75 X 8.50 NC GR5 ZP	2
22	1017000	NUT-TOPLOCK: .75 NC GR5 ZP	4
23	1013023	BOLT-HEX: .63 X 2.50 NC GR5 ZP	8
24	1011813	WASHER-LOCK: .63 ZP	16
25	65825	BOLT-HEX: .63 X 3.25 NC GR5 ZP	4
26	1013024	WASHER-FLAT: .63 ZP	4
27	1016367	NUT-SPINDLE: 1.38 NF NP	2
28	63624	HUB CAP ROUNDED ZP	2
29	1030765	BUSHING-MACHINED: 1.38 NR 10 GA	2
30	53632	SEAL	2
31	53634	CONE-BEARING INNER	2
32	53636	CUP-BEARING INNER	2
33	1030766	ZERK - GREASE .13 NPT STRAIGHT	2
34	53635	CUP-BEARING OUTER	2
35	53633	CONE-BEARING OUTER	2
36	64012	PIN-COTTER: .19 X 3.00 NP	2
37	1026259	NUT-JAM: .63 NC ZP	5
38	64674	RACE-SPACER (.120)	AR
39	50813	SCREW-SET: SQ HD .38 X 1.00 ZP	2

CONTINUE



LIFTER STRUT - BOTTOM SCRAPER (CONTINUED)

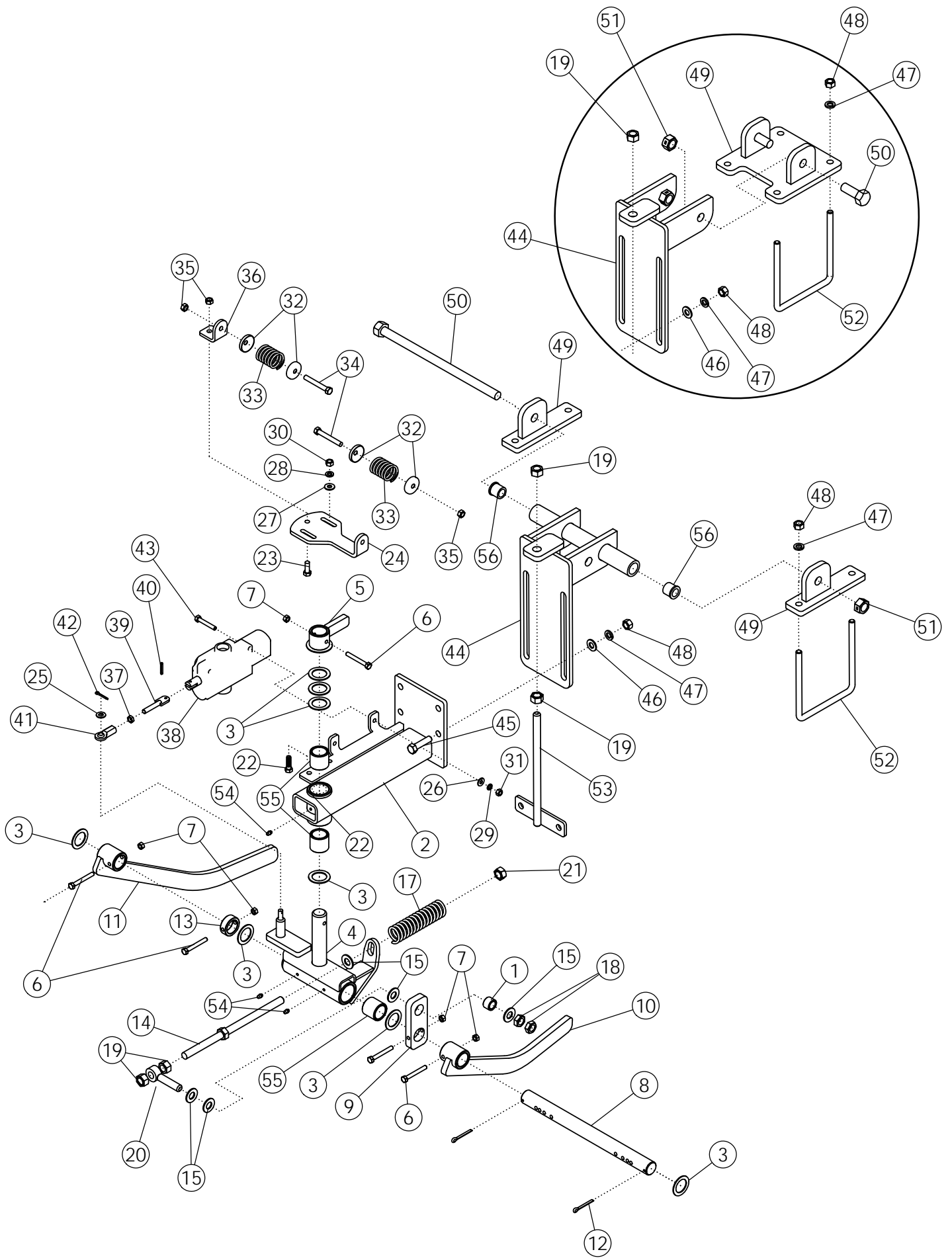
ITEM	PART NO.	DESCRIPTION	QTY
OPTIONAL URETHANE BUSHING			
40	1016595	NUT-TOPLOCK: .63 GR5 ZP	12
41	59093	BOLT-HEX: .63 X 3.75 NC GR5 ZP	8
42	1013935	BOLT-HEX: .63 X 4.50 NC GR5 ZP	4
43	51705	BUSHING	12
	301975	BUSHING-URETHANE .67"	
44	301324	WASHER-CUSTOM: .668 ID X 1.875 OD X .235 TH	12
RIM FILLER KIT			
45	300097	PLATE-LIFTER WHEEL FILLER	16
46	59488	BOLT-CRG: .38 X 1.00 NC GR5 ZP	16
47	1016999	NUT-TOPLOCK: .38 NC GR5 ZP	16



HYDRUALIC ROW FINDER

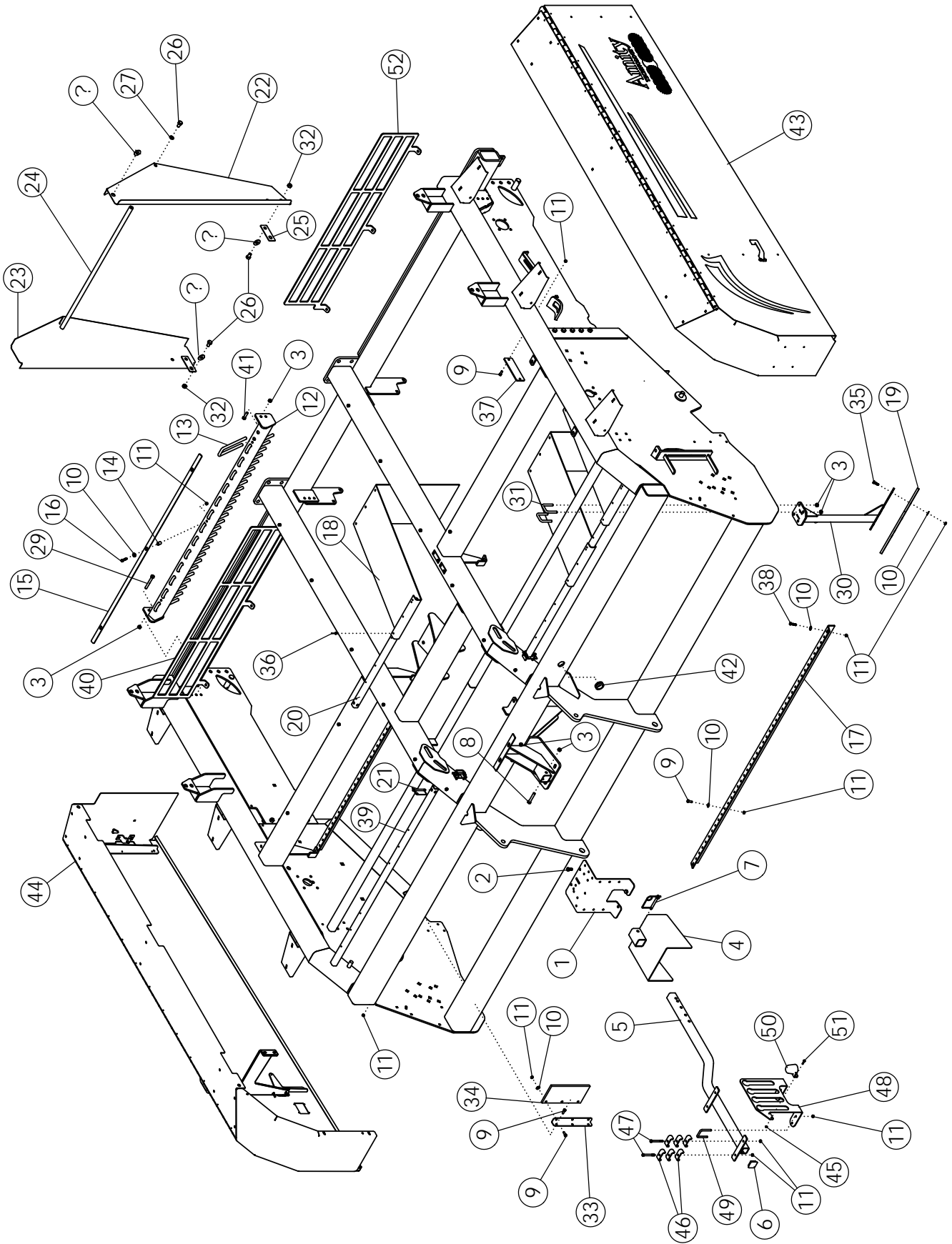
ITEM	PART NO.	DESCRIPTION	QTY
1	52567	BUSHING-ZP	1
2	62520	ASSY-ROW FINDER MAIN FRAME W/BUSHINGS	1
3	55206	BUSHING-MACH: 1.25 NR 14GA	9
4	51139	ASSY-WLDMT-SWIVEL W/BUSHINGS	1
5	51130	WLDMT-FLIPPER	1
6	301748	BOLT-HEX: .31 X 2.50 NC GR8 ZP	5
7	301749	NUT-TOPLOCK: .31 NC GR8 ZP	5
8	51690	SHAFT ZP	1
9	52566	TENSIONER ARM	1
10	51131	SENSOR ARM-L.H.	1
11	52564	SENSOR ARM-R.H.	1
12	1030797	PIN-COTTER: .19 X 1.75 NP	2
13	51137	COLLAR	1
14	52565	ADJUSTMENT BOLT	1
15	1013004	WASHER-FLAT: SAE .63 ZP	5
16	1013024	WASHER-FLAT: .63 ZP	2
17	51692	SPRING: .21 X 1.44 OD X 6.00 15 COILS	1
18	1026259	NUT-JAM: .63 NC GR2 ZP	3
19	1011578	NUT-HEX: .63 NC GR2 ZP	4
20	51691	EYEBOLT: .63 X 3.25 ZP	1
21	1016595	NUT-TOPLOCK: .63 NC GR5 ZP	1
22	1011601	BOLT-HEX: .38 X 1.25 NC GR5 ZP	2
23	1011600	BOLT-HEX: .38 X 1.00 NC GR5 ZP	1
24	51129	PLATE-ADJUSTMENT	4
25	1014608	WASHER-FLT: SAE .38 ZP	1
26	1020416	WASHER-FLAT: .25 ZP	2
27	1011583	WASHER-FLAT: .31 ZP	2
28	1011586	WASHER-LOCK: .38 ZP	2
29	1029115	WASHER-LOCK: .31 ZP	2
30	1011576	NUT-HEX: .38 NC GR2 ZP	2
31	1011575	NUT-HEX: .31 NC GR2 ZP	2
32	52582	SPRING CAP	4
33	51689	SPRING-ROW FINDER PAINTED	2
34	1019828	BOLT-HEX: .38 X 2.75 NC GR5 ZP	2
35	1016999	NUT-TOPLOCK: .38 NC GR5 ZP	7
36	51128	SPRING PLATE	1
37	1030792	NUT-JAM: .38 NF GR2 ZP	1
38	301150	VALVE-ROWFINDER O/C	1
39	301750	WLDMT-STUD RF LONG ZP	1
40	64157	PIN-ROLL: .19 X 1.125 ZP	1

CONTINUED



HYDRAULIC ROW FINDER (CONTINUED)

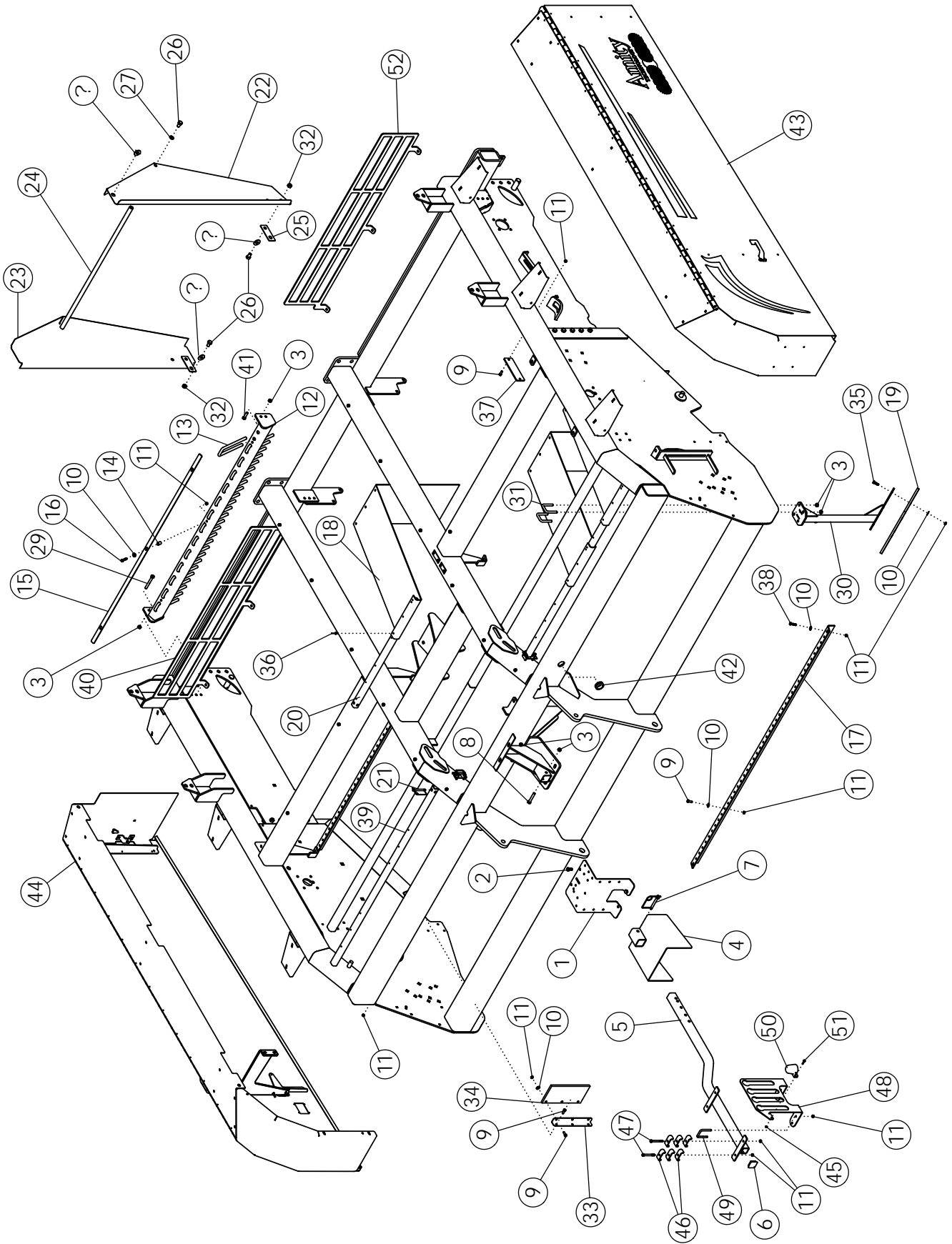
ITEM	PART NO.	DESCRIPTION	QTY
41	51136	UNIBALL COUPLING	1
42	1029137	PIN-COTTER: .13 X 1.00 ZP	1
43	1011285	BOLT-HEX: .31 X 2.00 NC	2
44	63661	WLDMT-MOUNTING BRACKET	1
	52181	WLDMT-BRACKET	
45	1011609	BOLT-HEX: .50 X 2.00 NC GR5 ZP	4
46	1011584	WASHER-FLAT: SAE .50 ZP	4
47	1011581	WASHER-LOCK: .50 ZP	8
48	1011577	NUT-HEX: .50 NC GR2 ZP	12
49	63662	WLDMT-MOUNTING SUPPORT	2
	62871	WLDMT-BRACKET	1
50	63664	BOLT-HEX: .75 X 14.00 NC GR5 ZP	1
	1012060	BOLT-HEX: .75 X 2.00 NC GR5 ZP	2
51	1013537	NUT-TOPLOCK: .75 NC GR5 ZP	2
52	53984	U-BOLT 1/2 X 7 X 6 X 7	2
53	62882	WLDMT-TIGHTENER 11.125" ZP	1
54	1011748	ZERK - GREASE	3
55	56939	BUSHING-OILITE:1.25 X 1.625 X 1.50L	4
56	52654	BUSHING	2



GUARDS AND SHIELDS 6 ROW 30

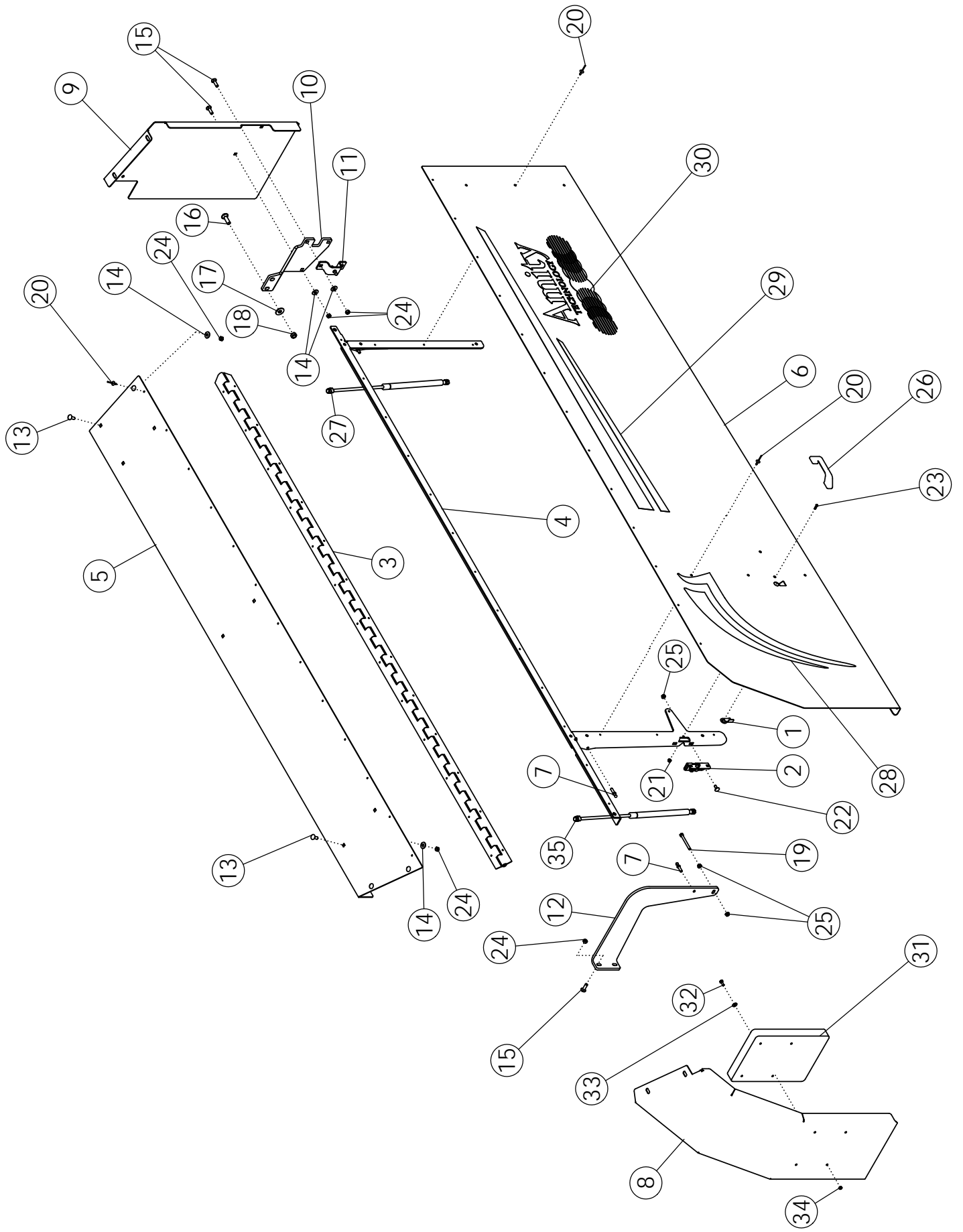
ITEM	PART NO.	DESCRIPTION	QTY
1	62883	PLATE-HOSE MOUNT	1
2	1011096	BOLT-HEX: .50 X 1.00 NC GR5 ZP	4
3	1027461	NUT-TOPLOCK: .50 NC GR5 ZP	37
4	63354	WLDMT-PTO SHIELD	1
5	301210	WLDMT-HYD HOSE HOLDER	1
6	301129	CAPLUG-2" SQ	1
7	52408	SPRING PIN .50" X 3.50"	1
8	1011611	BOLT-HEX: .50 X 3.00 NC GR5 ZP	1
9	1011600	BOLT-HEX: .38 X 1.00 NC GR5 ZP	34
10	1011828	WASHER-FLAT: .38 ZP	52
11	1016999	NUT-TOPLOCK: .38 NC GR5 ZP	70
12	58182	WLDMT-MOUNT	2
13	69117	U ROD ZP	28
14	58446	SPACER ZP	6
15	58448	STRAP	2
16	1011725	BOLT-HEX: .38 X 2.00 NC GR5 ZP	6
17	51225	MOUNT-TARP 8R	2
18	58961	APRON-RUBBER	6
19	51687	DEFLECTOR-RUBBER	5
20	57721	TUBE-INNER APRON 6R/8R	1
21	59101	SPRING PIN .38 X 3.00	3
22	56257	GUARD-REAR SCRUB LH	1
23	56258	GUARD-REAR SCRUB RH	1
24	56754	PIPE-THREADED	1
25	56256	LINK-GUARD	2
26	1032275	BOLT-HEX: .63 X 1.00 NC GR5 ZP	6
27	1011813	WASHER-LOCK: .63 ZP	2
28	1013024	WASHER-FLAT: .63 ZP	4
29	1032507	BOLT-HEX: .50 X 4.00 NC GR5 ZP	4
30	62378	WLDMT - DEFLECTOR	5
31	65658	U-BOLT: .50 X 3 X 2.06 X 3	10
32	1016595	NUT-TOPLOCK: .63 NC GR5 ZP	4
33	51331	PLATE-FILLER 6R22/6R24/6R30/8R22	2
34	51680	DEFLECTOR-RUBBER	2
35	1011601	BOLT-HEX: .38 X 1.25 NC GR5 ZP	21
36	1011974	RIVET-POP: .19 X .53 ZP	18
37	63501	PLATE-COVER	2
38	1011602	BOLT-HEX: .38 X 1.50 NC GR5 ZP	4
39	64508	TUBE-OUTER APRON MOUNT 6R30	2

CONTINUED



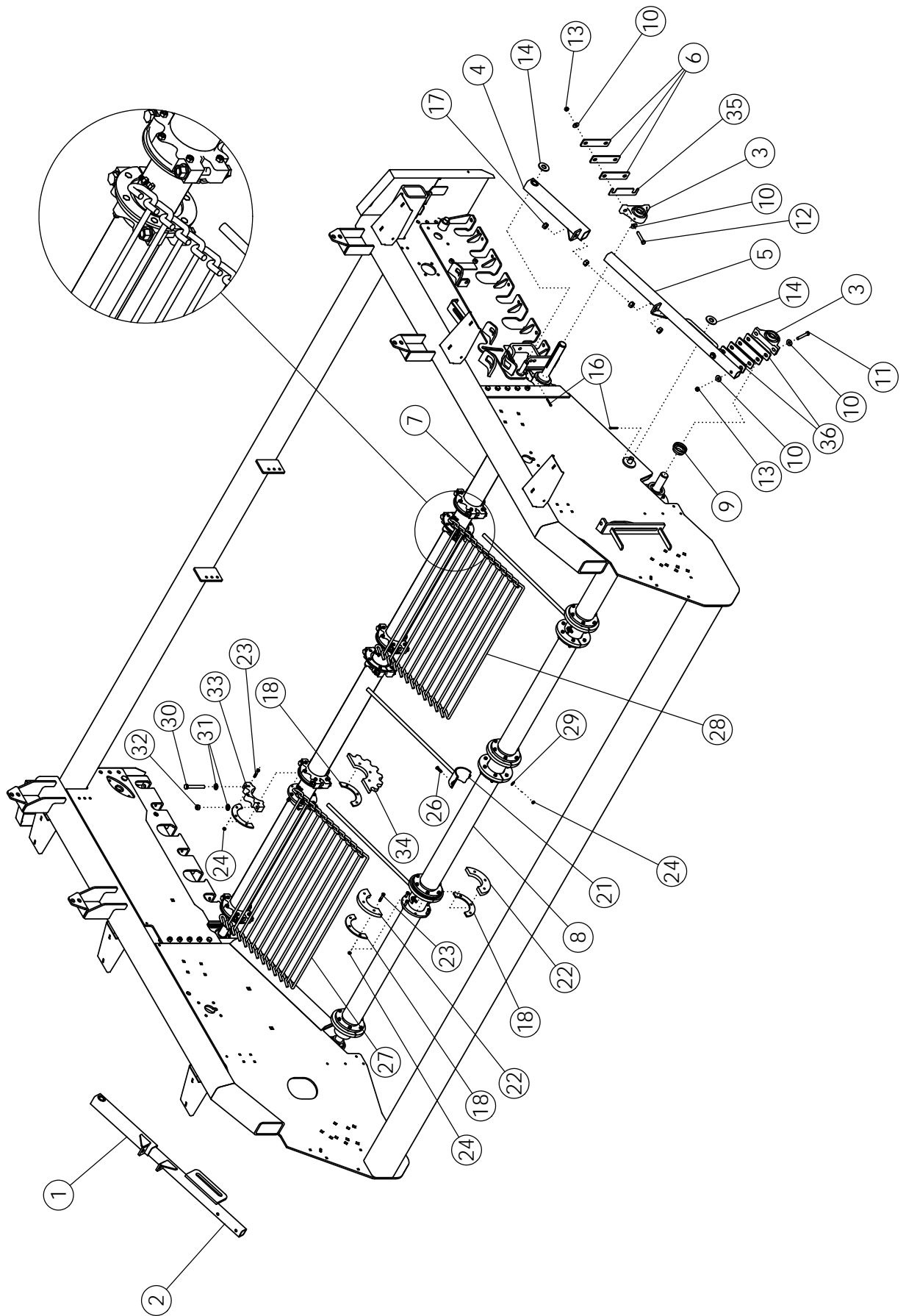
GUARDS AND SHIELDS 6 ROW 30 (CONT.)

ITEM	PART NO.	DESCRIPTION	QTY
40	69432	PLATE-GUARD RH 8R	1
41	1011608	BOLT-HEX: .50 X 1.75 NC GR5 ZP	4
42	301025	GROMMET-RUBBER 1.50" ID	1
43	69265	ASSY-LH DOOR 6R & 8R	1
44	69350	ASSY-RH DOOR 6R & 8R	1
45	1030946	NUT-TOPLOCK: .25 NC GR5 ZP	2
46	50714	CLAMP 1/2" ZP	12
47	58176	BOLT-HEX: .38 X 3.50 NC GR5 ZP	6
	1015174	BOLT-HEX: .38 X 2.50 NC GR5 ZP	
48	301900	PLATE-HYD HOSE END HOLDER XL	1
49	33162	U-BOLT: .375 X 3 X 2 X 3	2
50	223329	HOLDER-LIGHT PLUG	1
51	1013423	BOLT-HEX: .25 X 1.00 NC GR5 ZP	2
52	69431	PLATE-GUARD LH 8R	1



DOOR ASSEMBLY

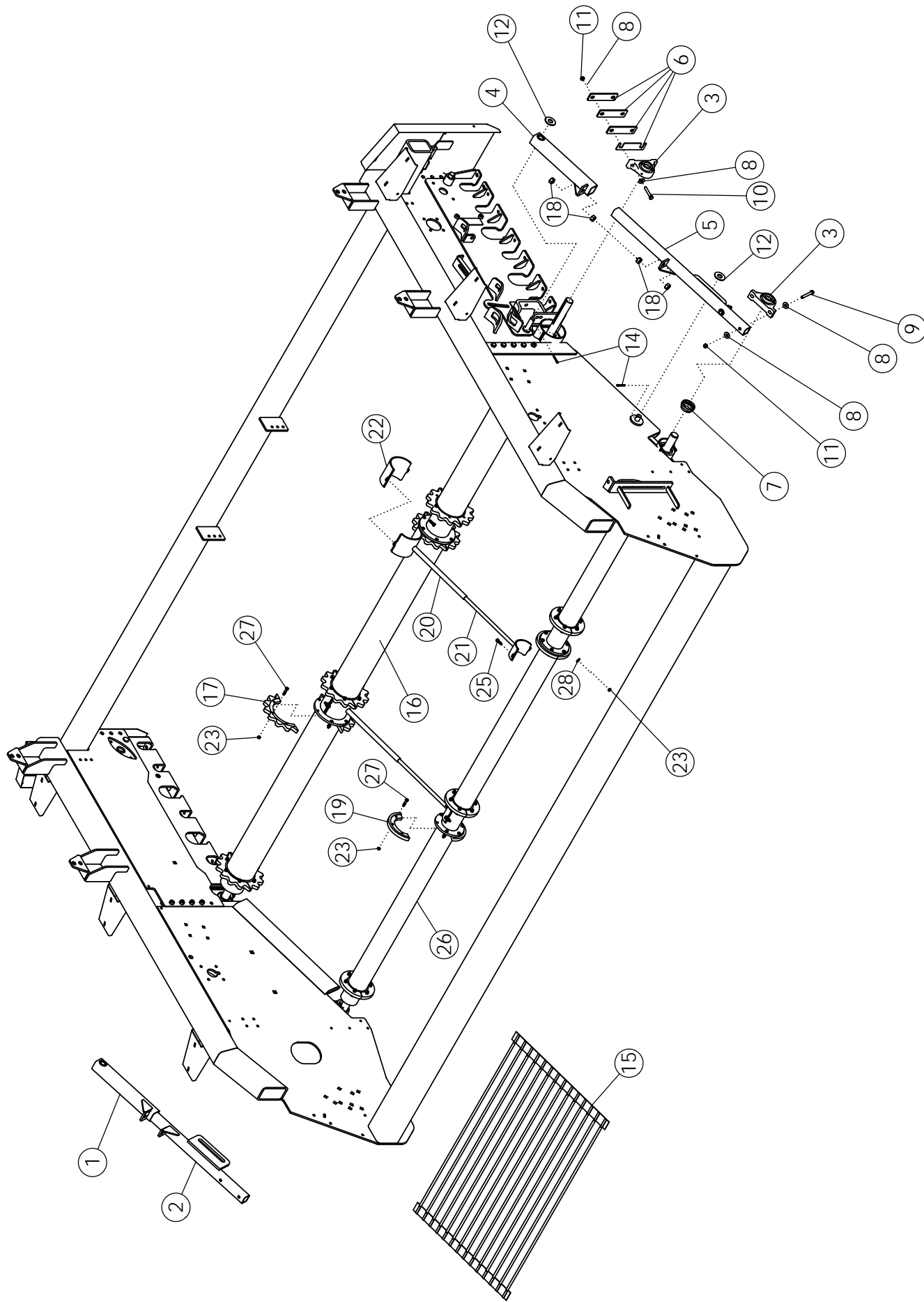
ITEM	PART NO.	DESCRIPTION	QTY
1	69284	LEVER-HRV LATCH ZP	1
2	69283	LATCH-DLP ROTARY SLAM	1
3	69286	HINGE-108 HEAVY CONTINUOUS	1
4	69266	WLDMT-DOOR FRAME LH	1
	69348	WLDMT-DOOR FRAME RH (NOT SHOWN)	
5	69271	PANEL-SHIELD TOP LH PC	1
	69316	PANEL-SHIELD TOP RH PC (NOT SHOWN)	
6	69270	SHEET-SHIELD DOOR LH PC	1
	69319	SHEET-SHIELD DOOR RH PC (NOT SHOWN)	
7	69278	STUD-BALL .31-18NC X .75	4
8	69272	PANEL-SHIELD FRONT LH PC	1
	69317	PANEL-SHIELD FRONT RH PC (NOT SHOWN)	
9	69273	PANEL-SHIELD REAR LH PC	1
	69318	PANEL-SHIELD REAR RH PC (NOT SHOWN)	
10	69274	PLATE-SUPPORT REAR LH	1
	69344	PLATE-SUPPORT REAR RH (NOT SHOWN)	
11	69275	BRACKET-SPRING REAR	1
12	69277	BRACKET-SPRING FRONT LH	1
	69320	BRACKET-SPRING FRONT RH (NOT SHOWN)	
13	59488	BOLT-CRG: .38 X 1.00 NC GR5 ZP	10
14	1011828	WASHER-FLAT .38 ZP	17
15	1016362	BOLT-CRG: .38 X 1.25 NC GR5 ZP	7
16	1011660	BOLT-CRG: .50 X 1.50 NC GR5 ZP	2
17	1014443	WASHER-FLAT: .50 ZP	2
18	1027461	NUT-TOPLOCK: .50 NC GR5 ZP	2
19	1029448	BOLT-HEX .31 X 3.00 NC GR5 ZP	1
20	1011974	RIVET-POP: .19 X .531 ZP	32
21	67079	NUT-NYLOCK: 10-24 GR2 ZP	2
22	65702	BOLT-CRG: .31 X .75 NC GR5 ZP	2
23	67078	SCREW-P-H: 10-24 X .75 NC GR2 ZP	2
24	1016999	NUT-TOPLOCK: .38 NC GR5 ZP	17
25	67077	NUT-FLANGE SERR .31 NC ZP GR2	4
26	69285	HANDLE-MOLDED GRAB	1
27	69282	SPRING-700N GAS	1
28	69294	DECAL-LH CURVE	1
	69297	DECAL-RH CURVE	1
29	69295	DECAL-LH STRIPE	1
	69298	DECAL-RH STRIPE	1
30	69399	DECAL-AMITY LOGO	1
31	64635	CASE-MANUAL STORAGE	1
32	1011595	BOLT-HEX: .25 X .75 NC GR5 ZP	4
33	1020416	WASHER-FLAT: .25 ZP	4
34	1030946	NUT-TOPLOCK: .25 NC GR5 ZP	4
35	69411	SPRING-GAS LIFT N LATCH FRONT	1



APRON SHAFT - HOOK CHAIN

ITEM	PART NO.	DESCRIPTION	QTY
1	56693	WLDMT-ARM RH	1
2	56698	WLDMT-SLIDE RH	1
3	52405	BEARING-PILLOW 1.75	4
4	56692	WLDMT-ARMLH	1
5	56697	WLDMT-SLIDE LH	1
6	56672	SHIM-BEARING ZP	AR
7	69249	WLDMT-TOP APRON SHAFT	1
8	62695	WLDMT-BOTTOM APRON SHAFT	1
9	52382	SEAL PROTECTOR 1.75	2
10	1014443	WASHER-FLAT: .50 ZP	16
11	1029104	BOLT-HEX: .50 X 3.75 NC GR5 ZP	4
12	1011611	BOLT-HEX: .50 X 3.00 NC GR5 ZP	4
13	1027461	NUT-TOPLOCK: .50 NC GR5 ZP	8
14	1020685	WASHER-FLAT: 1.00	4
15	56718	ROD-THREADED ZP	2
16	1016944	PIN-COTTER: .25 X 2.00 ZP	4
17	1011620	NUT-HEX: .75 NC GR2 ZP	8
18	62836	HALF DISC-SPACER ZP (1/2" CHAIN ONLY)	32
19	1013239	BOLT-HEX: .38 X 3.00 NC GR5 ZP (1/2" CHAIN ONLY)	48
	1019828	BOLT-HEX: .38 X 2.75 NC GR5 ZP	
20	64162	WLDMT-UPPER FILLER	3
21	64161	WLDMT-LOWER FILLER	3
22	58322	HALF-DISC ZP	16
23	1011725	BOLT-HEX: .38 X 2.00 NC GR5 ZP (1/2" CHAIN ONLY)	48
	1011603	BOLT-HEX: .38 X 1.75 NC GR5 ZP	
24	1016999	NUT-TOPLOCK: .38 NC GR5 ZP	108
25	64159	CLAMP-FILLER PAINTED	6
26	64991	BOLT-HEX: .38 X 1.25 NC GR8 ZP	12
27	59559	CHAIN 1/2 X 48 X 2.38	4
	64399	CHAIN 5/8 X 48 X 2.38	
28	62609	CHAIN 1/2 X 36 X 2.38	4
	64400	CHAIN 5/8 X 36 X 2.38	
29	1011828	WASHER-FLAT: .38 ZP	12
30	69246*	BOLT-HEX: .63 X 5.00 NC GR8 ZP	16
31	66498*	WASHER-FLAT: SAE .63 YZP	32
32	66500*	NUT-HEX: .63 NC GR8 YZP	16
33	69245*	CLAMP-APRON	16
34	301221	SPROCKET-SPLIT 2.375 14T	8
	64154	SPROCKET-HALF 2.375 12T 4" SHAFT (ROCK) ZP	16
35	300146	SHIM-BEARING .120 THK	AR
36	56672	SHIM-BEARING ZP (PLASTIC PADDLE OPTION)	8

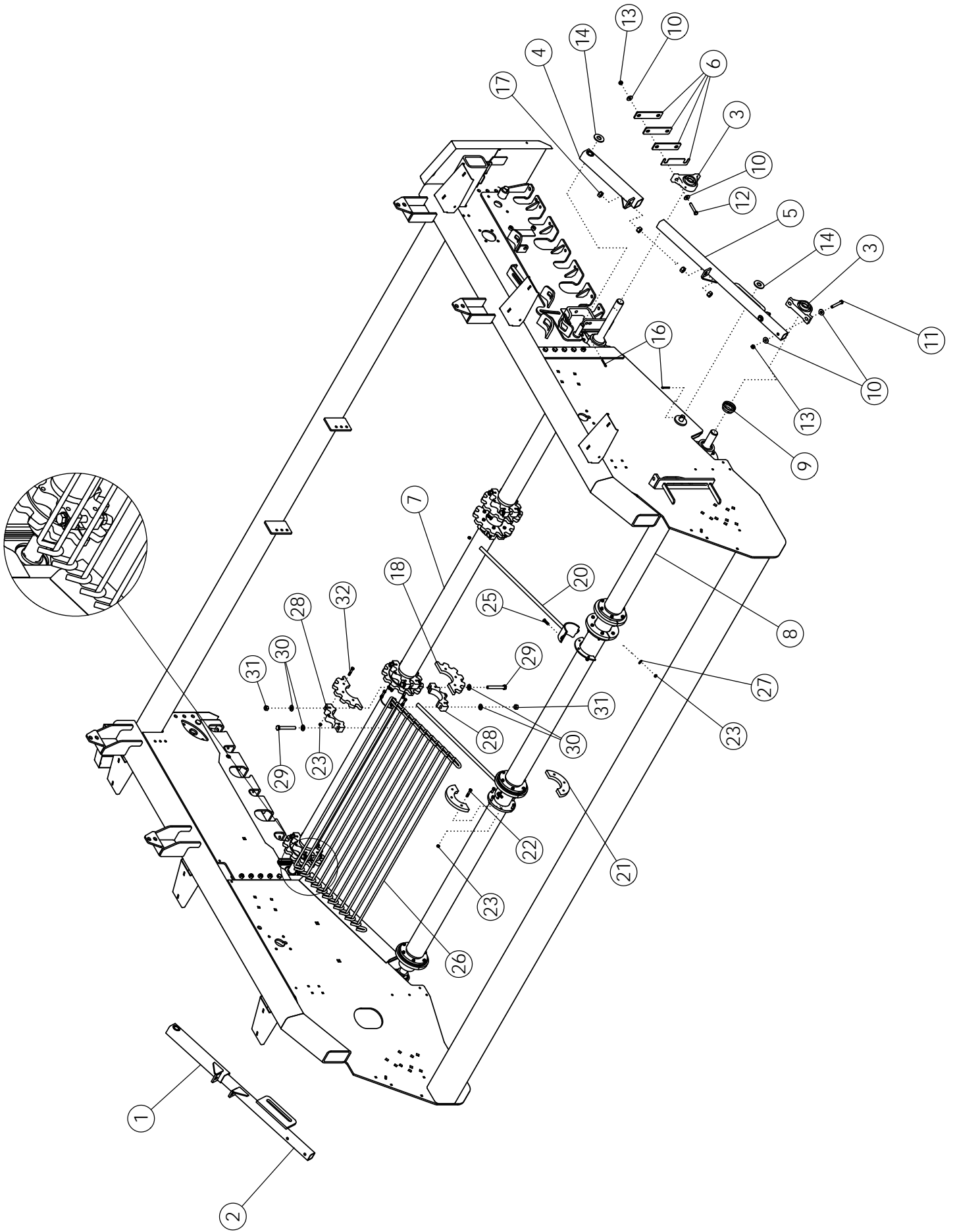
*INCLUDED IN ITEM 7



APRON SHAFT - BELTED CHAIN

ITEM	PART NO.	DESCRIPTION	QTY
1	56693	WLDMT-ARM RH	1
2	56698	WLDMT-SLIDE RH	1
3	52405	BEARING-PILLOW 1-3/4"	4
4	56692	WLDMT-ARM LH	1
5	56697	WLDMT-SLIDE LH	1
6	56672	SHIM-BEARING ZP	AR
7	52382	SEAL PROTECTOR 1-3/4"	2
8	1014443	WASHER-FLAT: .50 ZP	16
9	1029104	BOLT-HEX: .50 X 3.75 NC GR5 ZP	4
10	1011611	BOLT-HEX: .50 X 3.00 NC GR5 ZP	4
11	1027461	NUT-TOPLOCK: .50 NC GR5 ZP	8
12	1020685	WASHER-FLAT: 1.00	4
13	56718	ROD-THREADED ZP	2
14	1016944	PIN-COTTER: .25 X 2.00 ZP	4
15	64904	BELT-56MM APRON 5/8 X 56.5" (48LPR)	3
16	301142	WLDMT-TOP APRON SHAFT 56MM 5/8 ROD 5.5"	1
17	301229	SPROCKET-SPLIT 56MM 14T CB 5.5" SHAFT	6
18	1011620	NUT-HEX: .75 NC GR2 ZP	8
19	63414	DISC-SPLIT COUNTER BORED	6
20	301240	WLDMT-UPPER FILLER 5.5" SHAFT WIDE	2
21	301531	WLDMT-LOWER FILLER 4" SHAFT WIDE	2
22	301241	CLAMP-FILLER 5.5" SHAFT WIDE PAINTED	2
23	1016999	NUT-TOPLOCK: .38 NC GR5 ZP	80
24	301533	CLAMP-FILLER 4" SHAFT WIDE PAINTED	2
25	64991	BOLT-HEX: .38 X 1.25 NC GR8 ZP	8
26	64440	WLDMT-BOTTOM APRON SHAFT 6R30 56.5"	1
27	1011603	BOLT-HEX: .38 X 1.75 NC GR5 ZP	72
28	1011828	WASHER-FLAT .38 ZP	8
29	300146	SHIM-BEARING .120 THK	AR

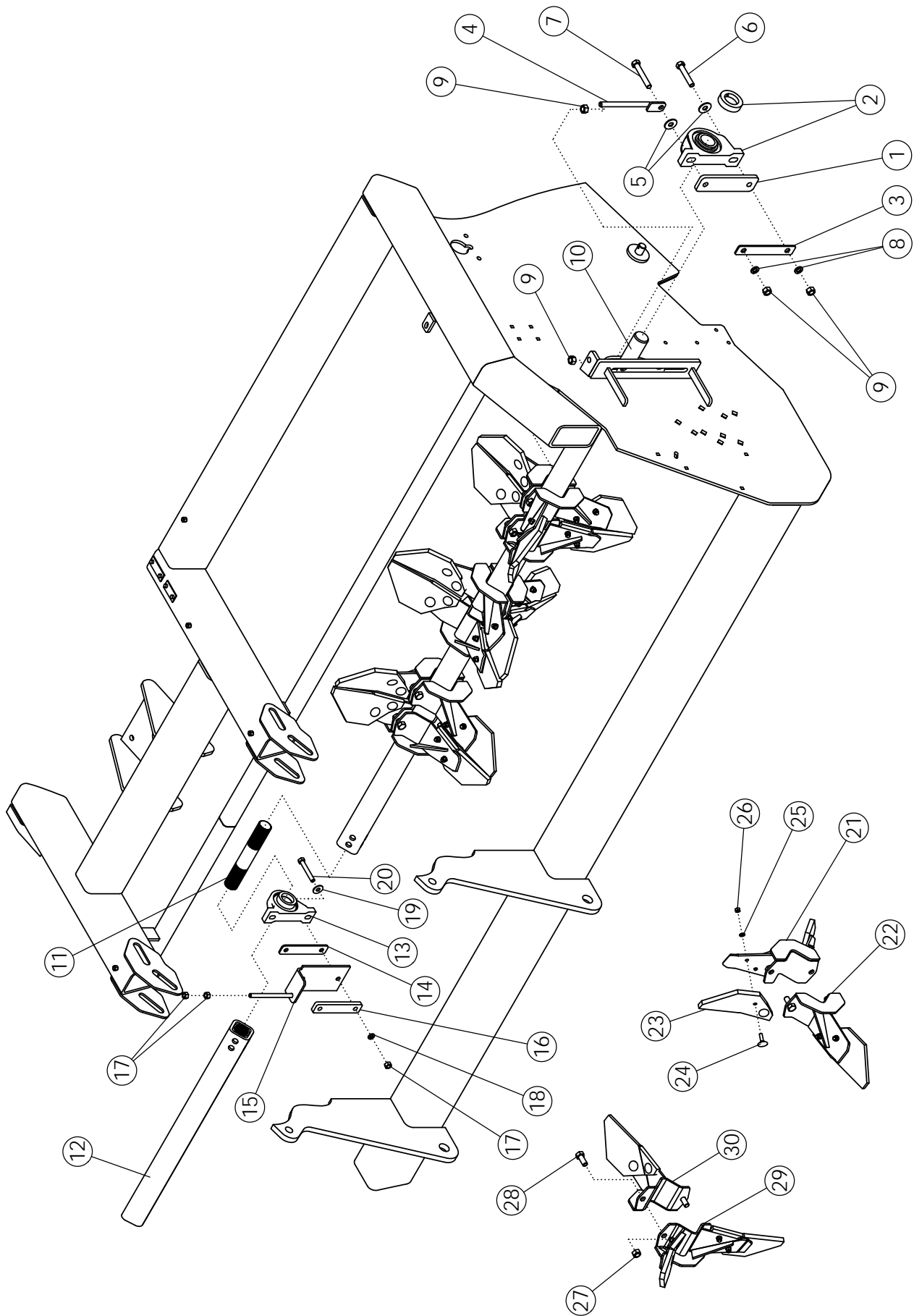
*INCLUDED IN ITEM 30



APRON SHAFT - HOOK CHAIN 56.5"

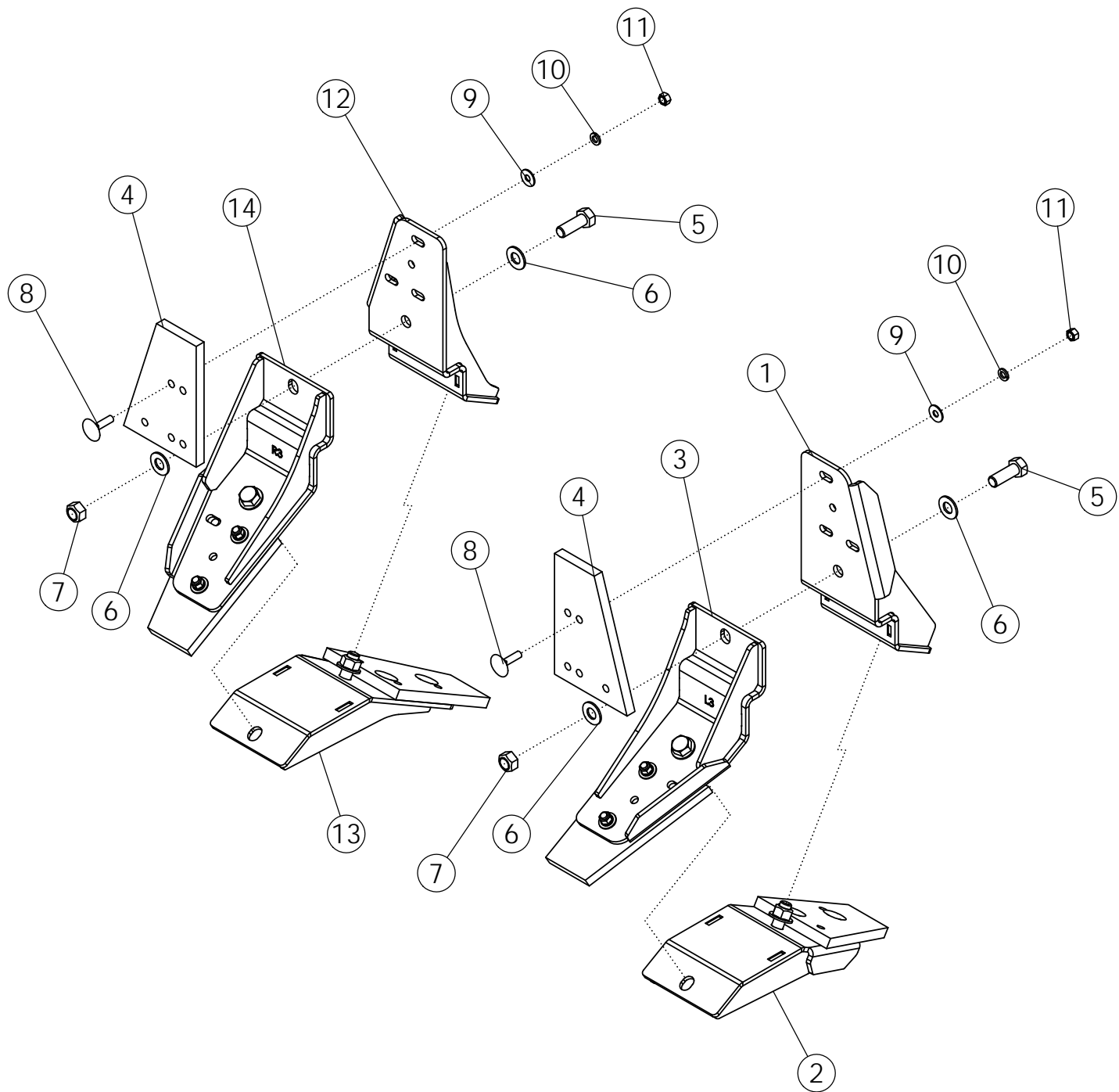
ITEM	PART NO.	DESCRIPTION	QTY
1	56693	WLDMT-ARM RH	1
2	56698	WLDMT-SLIDE RH	1
3	52405	BEARING-PILLOW 1.75	4
4	56692	WLDMT-ARML LH	1
5	56697	WLDMT-SLIDE LH	1
6	56672	SHIM-BEARING ZP	AR
7	69247	ASSY-APRON SHFT TOP 6R30 56.5 CHAIN	1
8	64440	WLDMT-BOTTOM APRON SHAFT 6R30 56.5"	1
9	52382	SEAL PROTECTOR 1.75	2
10	1014443	WASHER-FLAT: .50 ZP	16
11	1029104	BOLT-HEX: .50 X 3.75 NC GR5 ZP	4
12	1011611	BOLT-HEX: .50 X 3.00 NC GR5 ZP	4
13	1027461	NUT-TOPLOCK: .50 NC GR5 ZP	8
14	1020685	WASHER-FLAT: 1.00	4
15	56718	ROD-THREADED ZP	2
16	1016944	PIN-COTTER: .25 X 2.00 ZP	4
17	1011620	NUT-HEX: .75 NC GR2 ZP	8
18	64154	SPROCKET-HALF 2.38 ZP (ROCK)	12
19	64162	WLDMT-UPPER FILLER 4" SHAFT STD	2
20	64161	WLDMT-LOWER FILLER 4" SHAFT STD	2
21	58322	HALF-DISC ZP	12
22	1011603	BOLT-HEX: .38 X 1.75 NC GR5 ZP	36
23	1016999	NUT-TOPLOCK .38 NC GR5 ZP	80
24	64159	CLAMP-FILLER 4" SHAFT STD PAINTED	4
25	64991	BOLT-HEX: .38 X 1.25 NC GR8 ZP	8
26	64438	CHAIN 5/8 X 56.5 X 2.38	6
27	1011828	WASHER-FLAT: .38 ZP	8
28	69245*	CLAMP-APRON	12
29	69246*	BOLT-HEX: .63 X 4.75 NC GR8 ZP	12
30	66498*	WASHER-FLAT: SAE .63 GR8 ZP	24
31	66500*	NUT-HEX: .63NC GR8 ZP	12
32	1019828	BOLT-HEX: .38 X 2.75 NC GR5 ZP	36
33	300146	SHIM-BEARING .120 THK	AR

*INCLUDED IN ITEM 7



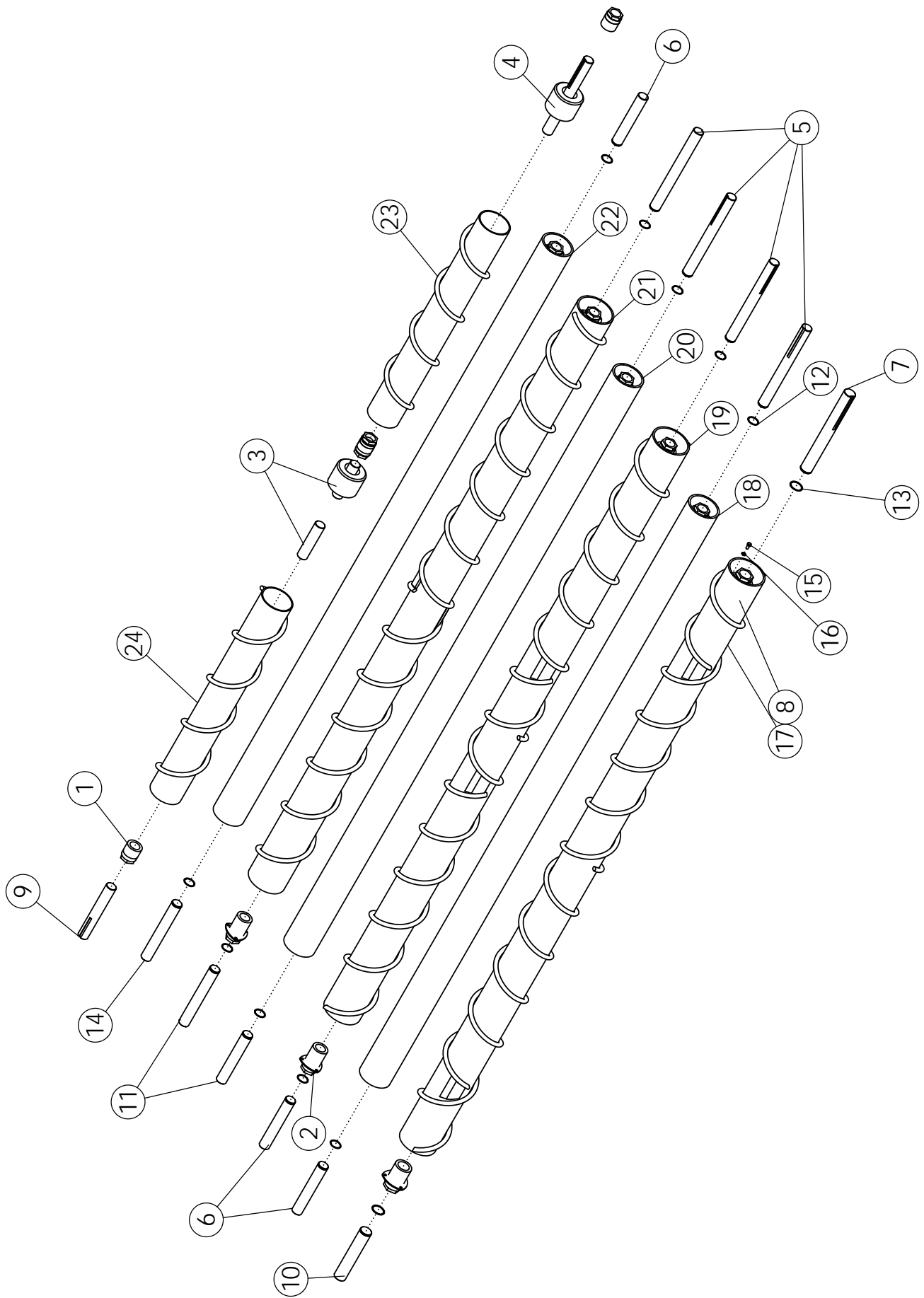
PADDLE SHAFT

ITEM	PART NO.	DESCRIPTION	QTY
1	57996	SHIM-BEARING	2
2	57997	BEARING-PILLOW 2"	2
3	57998	PLATE-BACKING	2
4	51365	TIGHTENER BOLT	2
5	1013024	WASHER-FLAT: .63 ZP	4
6	1014000	BOLT-HEX: .63 X 3.50 NC GR5 ZP	2
7	1016726	BOLT-HEX: .63 X 4.00 NC GR5 ZP	2
8	1011813	WASHER-LOCK: .63 ZP	4
9	1011578	NUT-HEX: .63 NC GR2 ZP	8
10	58027	WLDMT-PADDLE SHAFT LH	1
11	57196	SHAFT-STUB #7	1
12	58028	WLDMT-PADDLE SHAFT RH	1
13	52405	BEARING-PILLOW 1-3/4"	1
14	50564	PLATE	1
15	56737	WLDMT-ROD ZP	1
16	50305	SPACER-BEARING	1
17	1011577	NUT-HEX: .50 NC GR2 ZP	4
18	1011581	WASHER-LOCK: .50 ZP	2
19	1014443	WASHER-FLAT: .50 ZP	2
20	1011612	BOLT-HEX: .50 X 3.50 GR5 ZP	2
21	50719	WLDMT - PADDLE DOUBLE LH	6
22	50720	WLDMT - PADDLE SINGLE LH	6
23	51562	PADDLE-RUBBER	36
24	1030779	BOLT-ELEVATOR:.38 X 1.50 NC ZP	72
25	1011586	WASHER-LOCK: .38 ZP	72
26	1011576	NUT-HEX: .38 NC GR2 ZP	72
27	1016595	NUT-TOPLOCK: .63 NC GR5 ZP	24
28	1014349	BOLT-HEX: .63 X 1.50 NC GR5 ZP	24
29	50722	WLDMT - PADDLE DOUBLE RH	6
30	50721	WLDMT - PADDLE SINGLE RH	6



HYBRID PADDLE ASSY

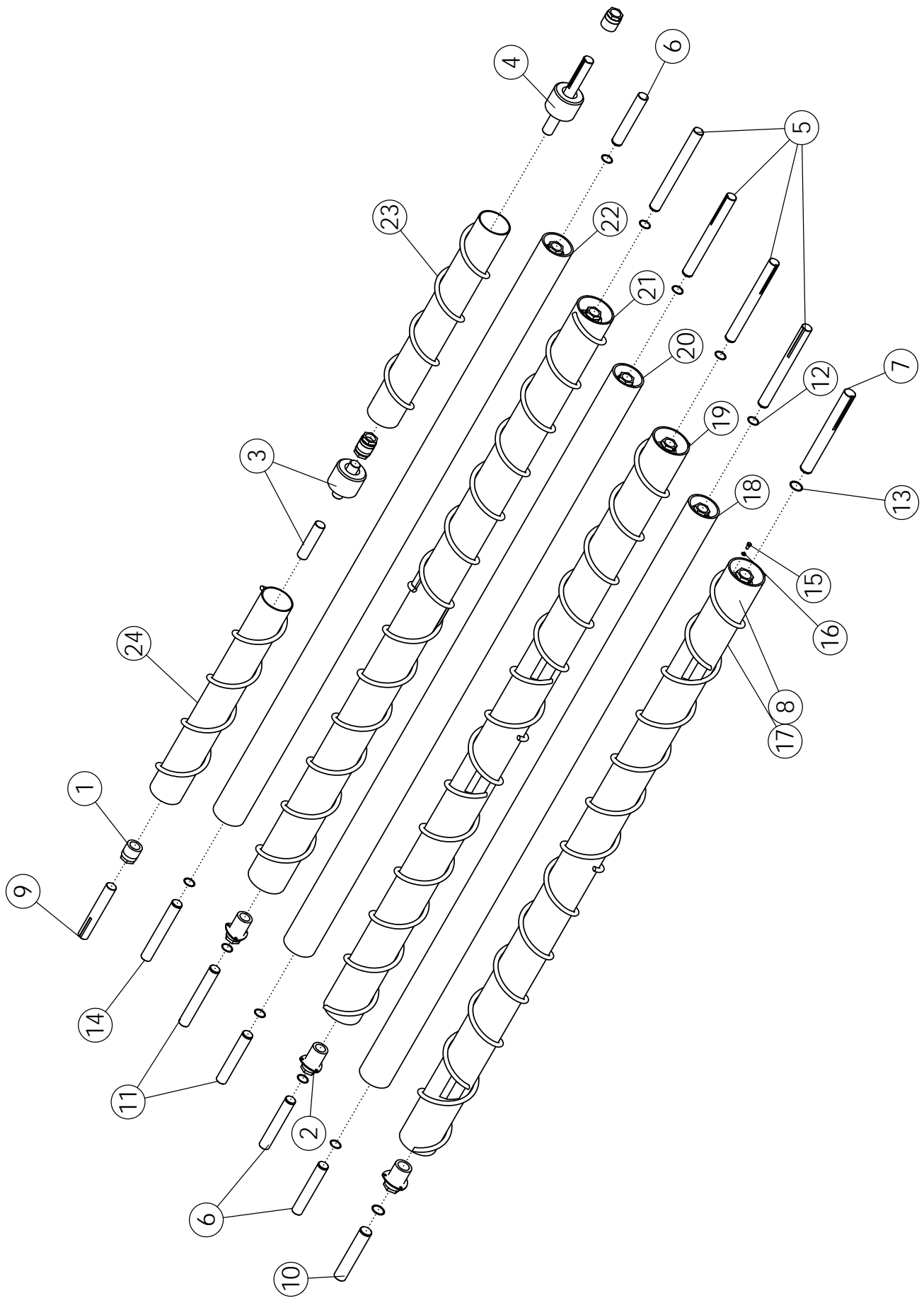
ITEM	PART NO.	DESCRIPTION	QTY
1	301863	WLDMT-PADDLE SPLIT LH 1	1
2	301867	WLDMT-PADDLE SPLIT LH 2	1
3	301871	WLDMT-PADDLE SPLIT LH 3	1
4	301875	PADDLE-RUBBER SOLID	6
5	1013918	BOLT-HEX .63 X 1.750 NC GR5 ZP	6
6	1013004	WASHER-FLAT: SAE .63 ZP	12
7	1016595	NUT-TOPLOCK: .63 NC GR5 ZP	6
8	1030779	BOLT-ELEVATOR:.38 X 1.50 NC ZP	18
9	1011828	WASHER-FLAT .38 ZP	18
10	1011586	WASHER-LOCK: .38 ZP	18
11	1011576	NUT-HEX: .38 NC GR2 ZP	18
12	301865	WLDMT-PADDLE SPLIT RH 1	1
13	301869	WLDMT-PADDLE SPLIT RH 2	1
14	301873	WLDMT-PADDLE SPLIT RH 3	1



CLEANING ROLLS

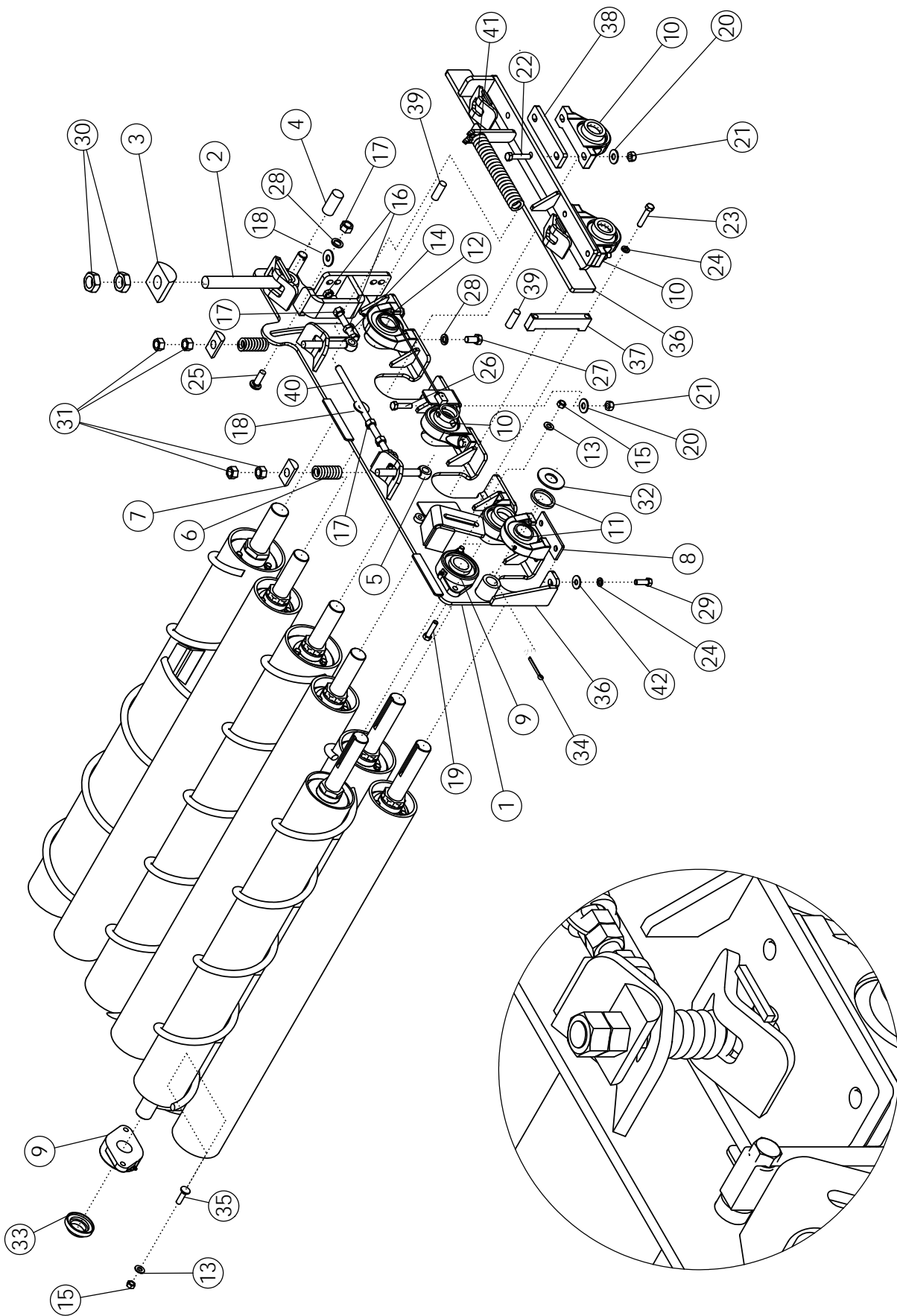
ITEM	PART NO.	DESCRIPTION	QTY
<u>PARTS COMMON TO ALL ROLLS</u>			
1	58459	HUB-TRANTORQUE 1.75	4
2	64163	HUB-TRANTORQUE 1.75 X 3.38	10
3	59471	SHAFT-STUB-#7 ROLL-RH, LH-IDLER	2
4	58759	SHAFT-#7 LH ROLL-DRIVE END	1
5	64177	SHAFT-DRIVE #2,3,4,5	4
6	64179	SHAFT-IDLER #2,3,4,6	3
7	64181	SHAFT-#1 DRIVE END	1
8	64165	HUB-TRANTORQUE 2.00 X 3.38	2
9	58761	SHAFT-#7 RH ROLL-DRIVE END	1
10	64182	SHAFT-#1 IDLER END	1
11	64180	SHAFT-REVERSE #4 RH	2
12	64184	RING-RETAINING 1.75	10
13	64185	RING-RETAINING 2.00	2
14	64178	SHAFT-#5,6	1
15	1011599	BOLT-HEX: .38 X .75 NC GR5 ZP	36
16	1011586	WASHER-LOCK: .38 ZP	36
<u>NUMBER ONE ROLL (COMPLETE)</u>			
17	58999	ROLL-SPIRAL-STANDARD	1
	59011	ROLL-SPIRAL-POLY COATED	
	58966	ROLL-SPIRAL-HARDENED	
<u>NUMBER TWO ROLL (COMPLETE)</u>			
18	58969	ROLL-5.5" SMOOTH-STANDARD	1
	59016	ROLL-5" SMOOTH-POLY COATED	
<u>NUMBER THREE ROLL (COMPLETE)</u>			
19	59000	ROLL-SPIRAL-STANDARD	1
	59013	ROLL-SPIRAL-POLY COATED	
	58977	ROLL-SPIRAL-HARDENED	

CONTINUED



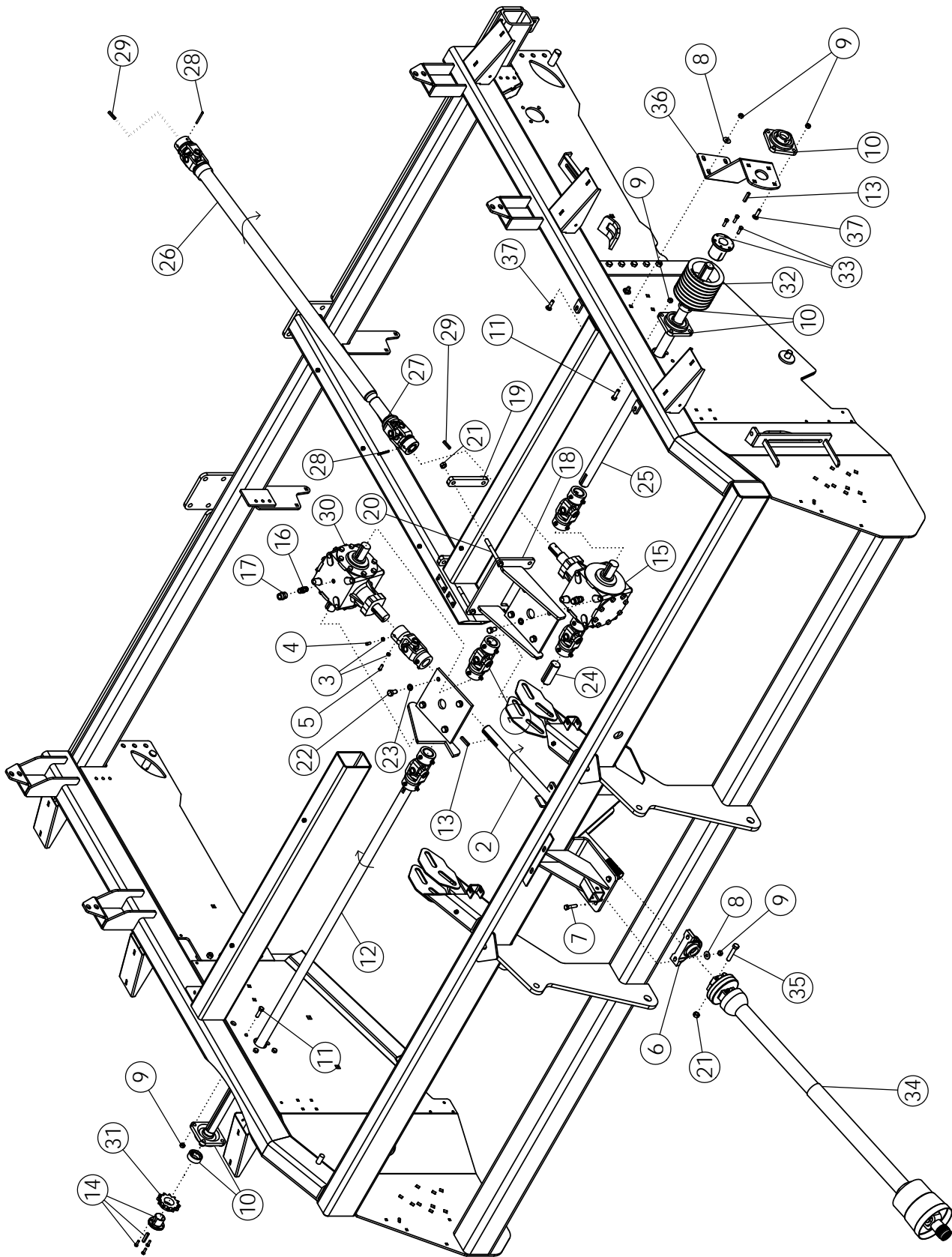
CLEANING ROLLS (CONTINUED)

ITEM	PART NO.	DESCRIPTION	QTY
<u>NUMBER FOUR ROLL (COMPLETE)</u>			
20	62764 62765	ROLL-5.5" SMOOTH-STANDARD ROLL-5" SMOOTH-POLY COATED	1
<u>NUMBER FIVE ROLL (COMPLETE)</u>			
21	59001 59015 58992	ROLL-SPIRAL-STANDARD ROLL-SPIRAL-POLY COATED ROLL-SPIRAL-HARDENED	1
<u>NUMBER SIX ROLL (COMPLETE)</u>			
22	58989 59017	ROLL-5.5" SMOOTH-STANDARD ROLL-SPIRAL-POLY COATED	1
<u>NUMBER SEVEN ROLL - - LEFT HAND (COMPLETE)</u>			
23	62193 59535	ROLL-SPIRAL-POLY ROLL-SPIRAL	1
<u>NUMBER SEVEN ROLL - - RIGHT HAND (COMPLETE)</u>			
24	62195 59536	ROLL-SPIRAL-POLY ROLL-SPIRAL	1



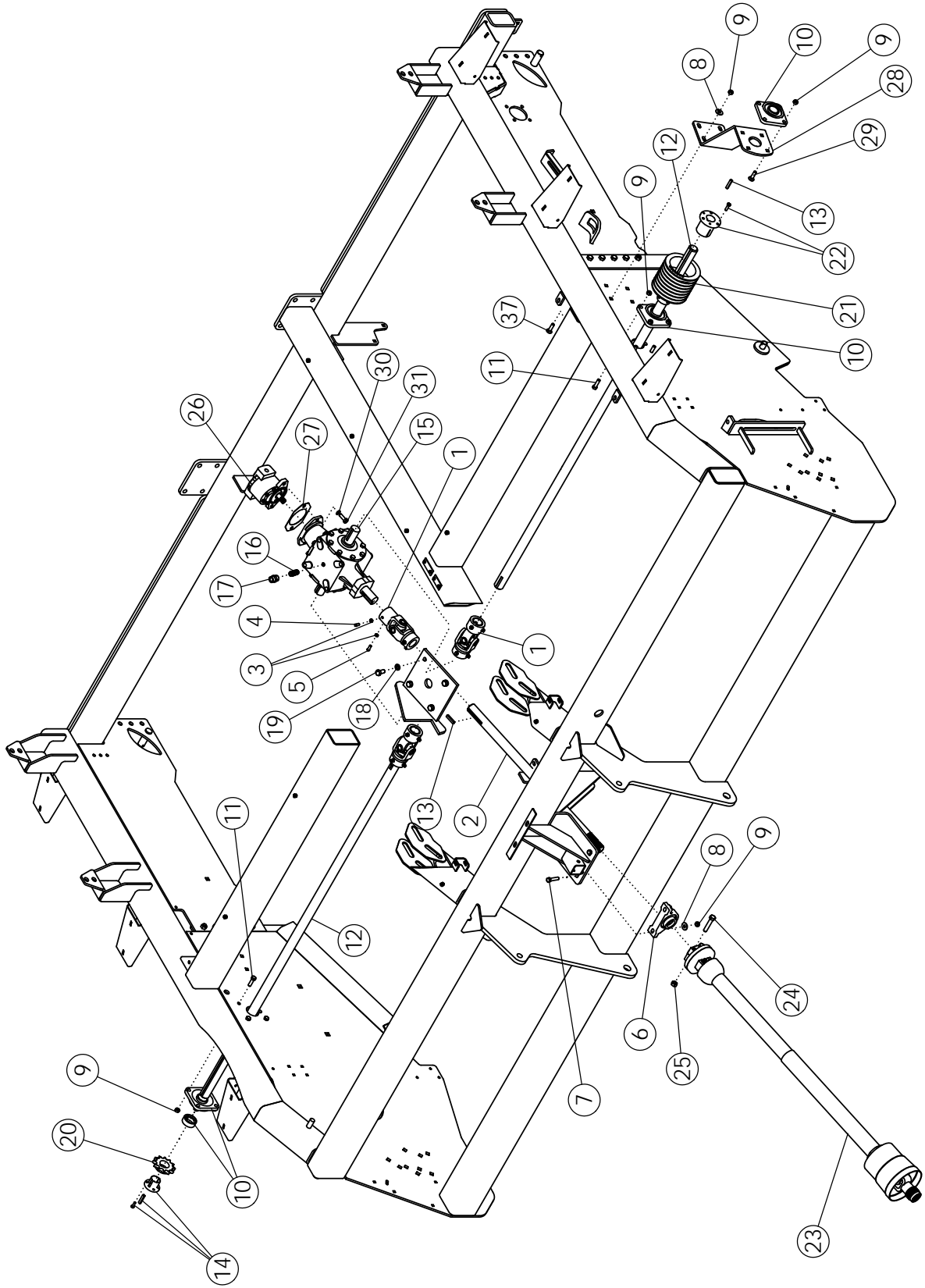
CLEANING ROLL MOUNTING PACKAGE

ITEM	PART NO.	DESCRIPTION	QTY
1	58907	WLDMT-MOUNT RH	1
	58906	WLDMT-MOUNT LH (NOT SHOWN)	1
2	56813	BOLT-EYEBOLT: 1.25 X 10.5 ZP	2
3	56679	HALF ROUND 3.0" ZP	2
4	56676	ROD ZP	2
5	56814	BOLT-EYEBOLT: .75 X 6.00 ZP	4
6	57877	SPRING 3.00" (RIGHT SIDE ONLY)	2
7	56680	HALF ROUND 1.50" ZP	4
8	57992	SHIM-BEARING	2
9	62134	BEARING-FLANGE 1-3/4"	4
10	52405	BEARING-PILLOW 1-3/4"	8
	64466	PILLOW BLOCK BEARING 1-3/4" STL (ROCK ONLY)	
11	62135	BEARING 1.750 TAPPED BASE	2
	301608	ASSY-STEEL TAPPED BASE BRG 1-3/4"(ROCK ONLY)	
12	62136	BEARING 2.000 TAPPED BASE	2
	305523	ASSY-STL TAPPED BASE BRG 2.00" (ROCK ONLY)	
13	1011584	WASHER-FLAT: SAE .50 ZP	4
14	1032273	BOLT-TAP: .63 X 3.50 NC GR5 ZP	2
15	1027461	NUT-TOPLOCK: .50 NC GR5 ZP	8
16	1026259	NUT-JAM: .63 NC GR2 ZP	4
17	1011578	NUT-HEX: .63 NC GR2 ZP	8
18	1013024	WASHER-FLAT: .63 ZP	4
19	1011609	BOLT-HEX: .50 X 2.00 NC GR5 ZP	4
20	59104	WASHER-FLAT: .56 GR8 ZP	16
21	59105	NUT-TOPLOCK: .56 NC GR8 ZP	16
22	59103	BOLT-HEX: .56 X 2.50 NC GR8 ZP	8
23	1011610	BOLT-HEX: .50 X 2.50 NC GR5 ZP	4
24	1011581	WASHER-LOCK: .50 ZP	8
25	58635	BOLT-CRG: .63 X 2.00 NC GR5 ZP	2
26	59102	BOLT-HEX: .56 X 2.00 NC GR8 ZP	8
27	1032509	BOLT-HEX: .63 X 1.25 NC GR5 ZP	4
28	1011813	WASHER-LOCK: .63 ZP	6
29	1011607	BOLT-HEX: .50 X 1.50 NC GR5 ZP	4
30	62511	NUT-JAM: 1.25 NC GR2 ZP	4
31	1011620	NUT-HEX: .75 NC GR2 ZP	8
32	1013431	WASHER-FLAT: 1.25 ZP	2
33	52383	LOCK PROTECTOR 1-3/4"	2
34	1016727	PIN-COTTER: .25 X 2.50 NP	2
35	59517	BOLT-CRG: .50 X 1.75 NC GR5 ZP	4
36	56682	WLDMT-SLIDE MOUNT RH	1
	56681	WLDMT-SLIDE MOUNT LH (NOT SHOWN)	1
37	56677	WLDMT-HOLDER	2
38	57792	SHIM-BEARING	4
39	56675	ROD ZP	4
40	56815	WLDMT-BOLT & NUT ZP	2
41	57878	SPRING 10"	2
42	1014443	WASHER-FLAT: .50 ZP	4



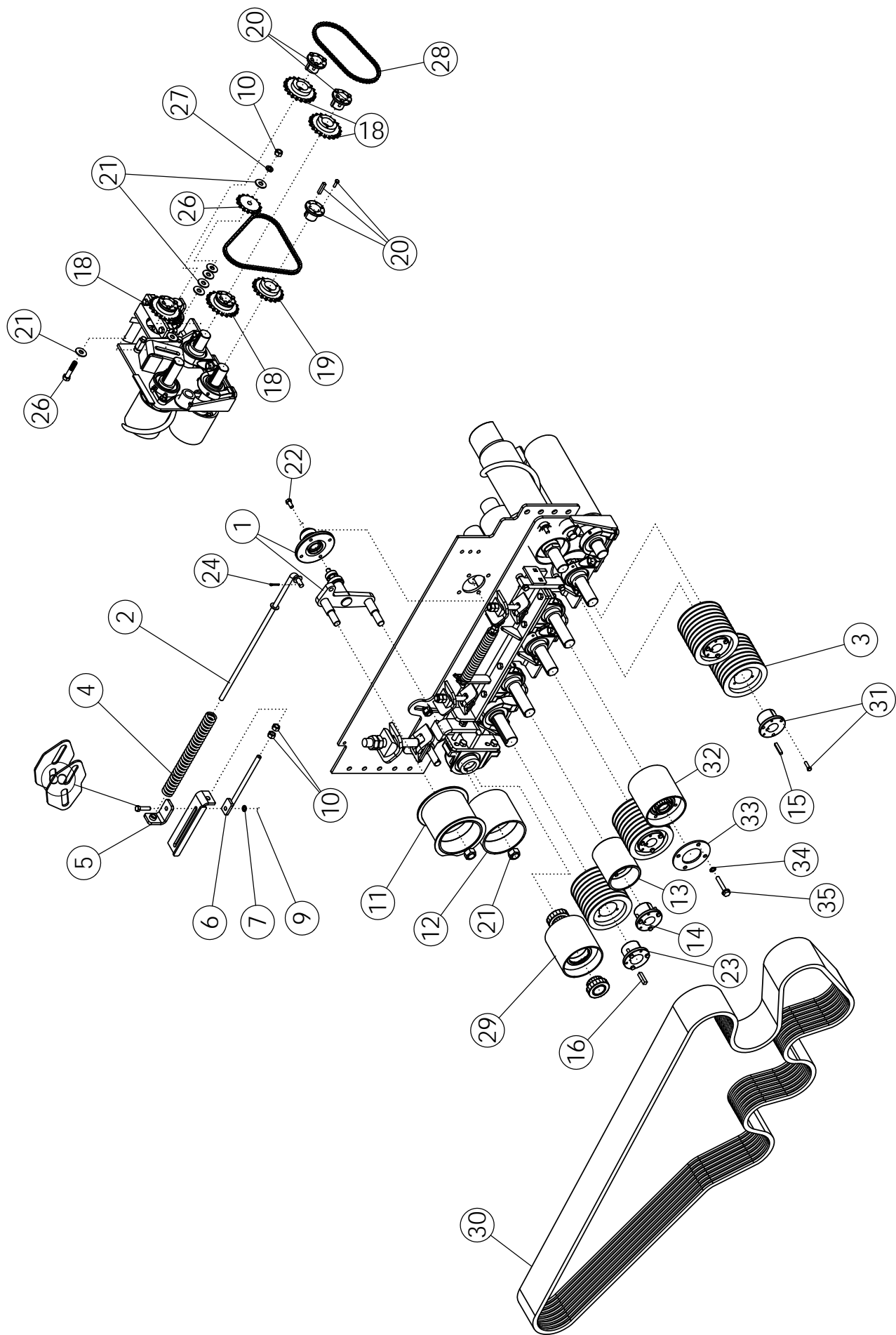
MAIN DRIVE

ITEM	PART NO.	DESCRIPTION	QTY
1	53642	U-JOINT	5
2	56775	SPLINE SHAFT	1
3	1013519	NUT-JAM: .38 NC GR2 ZP	20
4	1030708	SCREW-SET: C-P .38 X 0.75 NC GR8	10
5	1030709	SCREW-SET: C-P .38 X 1.00 NC GR8	10
6	52405	BEARING-PILLOW 1.75	1
7	1017708	BOLT-HEX: .50 X 2.25 NC GR5 ZP	2
8	1014443	WASHER-FLAT: .50 ZP	6
9	1027461	NUT-TOPLOCK: .50 NC GR5 ZP	18
10	52404	BEARING-FLANGE 1.75	2
11	1011608	BOLT-HEX: .50 X 1.75 NC GR5 ZP	8
12	56759	SHAFT-DRIVE 8R	1
13	50152	KEY .38 X .38 X 2.00	11
14	53641	HUB P1 1.75 (WITH KEY)	1
15	63847	GEARBOX-PRAIRIE (1.35:1) BLACK	1
16	69128	FTG-ADAPTER: 8MP-8MP 4" LONG	2
17	55730	FTG-ADAPTER: 8FP-8FP	2
18	62204	WLDMT - MOUNT GEARBOX	1
19	62544	BAR - BOLTING	2
20	1032504	BOLT-HEX: .63 X 6.00 NC GR8 ZP	4
21	1016595	NUT-TOPLOCK: .63 NC GR5 ZP	6
22	1032509	BOLT-HEX: .63 X 1.25 NC GR5 ZP	8
23	1011813	WASHER-LOCK: .63 ZP	8
24	57934	SHAFT-DRIVE LH SHORT	1
25	58336	SHAFT-DRIVE LH LONG	1
26	57924	SHAFT-DRIVE: 72.50	1
27	57925	COUPLER-DRIVE BLACK	1
28	58489	PIN-ROLL: .25 X 2.75 NP	2
29	58396	KEY .31 X .31 X 1.75	2
30	63846	GEARBOX-PRAIRIE (1.81:1) BLACK	1
31	62034	SPROCKET H80-P12	1
32	57680	SHEAVE 8B62Q	1
	57681	SHEAVE 8B68Q	
	57679	SHEAVE 8B56Q	
33	55123	HUB Q2 1.75	1
34	51481	PTO-CV 1.75" WEASLER (HRV)	1
	51480	PTO-CV 1.38" WEASLER (HRV)	
35	1030704	BOLT-HEX: .63 X 3.25 NC GR5 ZP	2
36	68111	BRACKET-BRACE BEARING	1
37	59517	BOLT-CRG: .50 X 1.75 NC GR5 ZP	8



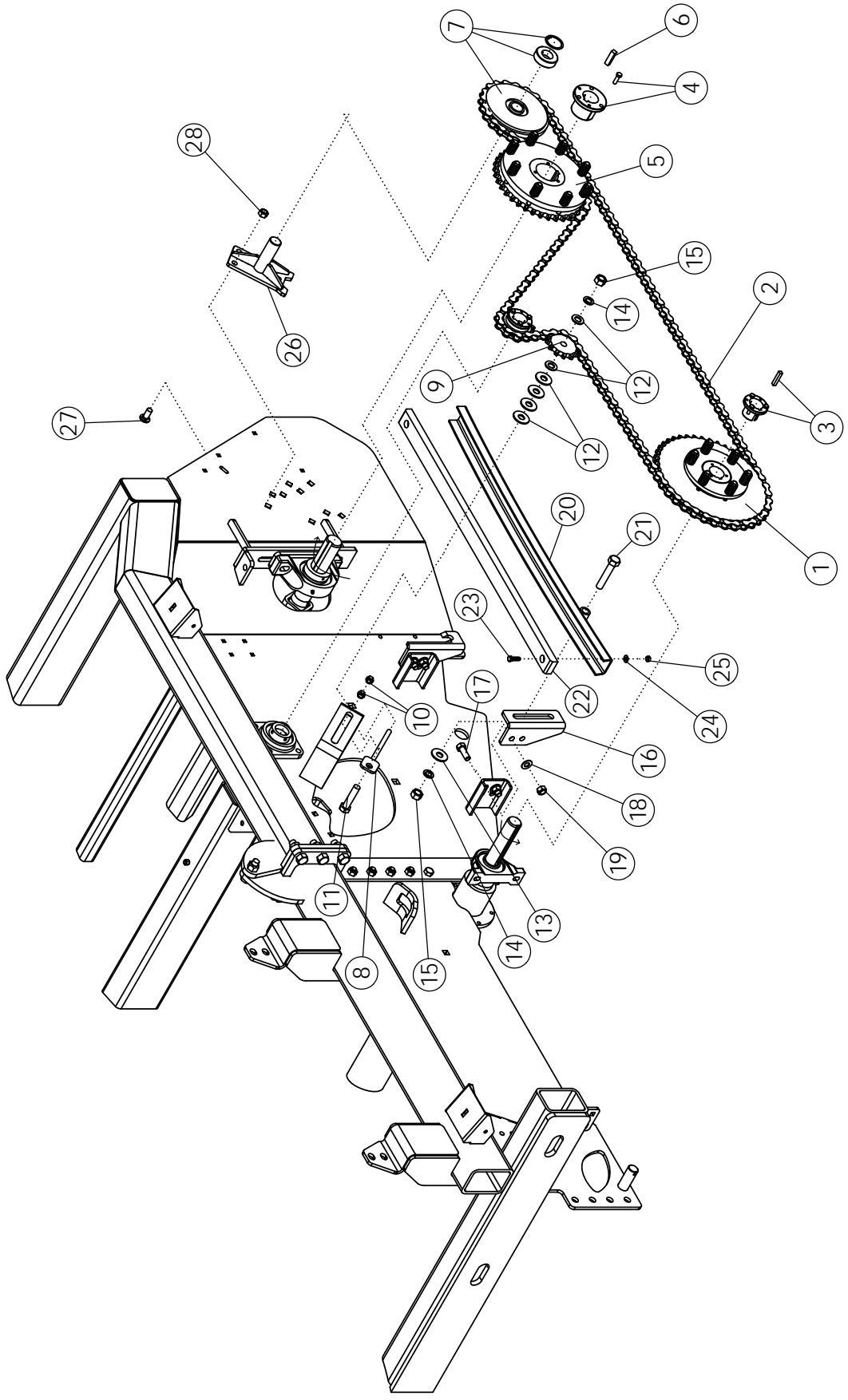
MAIN DRIVE: ONBOARD OPTION

ITEM	PART NO.	DESCRIPTION	QTY
1	53642	U-JOINT	3
2	56775	SPLINE SHAFT	1
3	1013519	NUT-JAM: .38 NC GR2 ZP	12
4	1030708	SCREW-SET: C-P .38 X .75 NC GR8	6
5	1030709	SCREW-SET: C-P .38 X 1.00 NC GR8	6
6	52405	BEARING-PILLOW 1.75	1
7	1017708	BOLT-HEX: .50 X 2.25 NC GR5 ZP	2
8	1014443	WASHER-FLAT: .50 ZP	6
9	1027461	NUT-TOPLOCK: .50 NC GR5 ZP	18
10	52404	BEARING-FLANGE 1.75	3
11	1011608	BOLT-HEX: .50 X 1.75 NC GR5 ZP	8
12	56759	SHAFT-DRIVE 8R	2
13	50152	KEY .38 X .38 X 2.00	10
14	53641	HUB P1 1.75 (WITH KEY)	1
15	62396	GEARBOX-PRAIRIE (1.81:1) PAINTED	1
16	69128	FTG-ADAPTER: 8MP-8MP 4" LONG	1
17	55730	FTG-ADAPTER: 8FP-8FP	1
18	1011813	WASHER-LOCK: .63 ZP	4
19	1032509	BOLT-HEX: .63 X 1.25 NC GR5 ZP	4
20	62034	SPROCKET H80-P12	1
21	57680	SHEAVE 8B62Q	1
	57681	SHEAVE 8B68Q	
	57679	SHEAVE 8B56Q	
22	55123	HUB Q2 1.75	1
23	51481	PTO-CV 1.75" WEASLER (HRV)	1
	51480	PTO-CV 1.38" WEASLER (HRV)	
24	1030704	BOLT-HEX: .63 X 3.25 NC GR5 ZP	2
25	1016595	NUT-TOPLOCK: .63 NC GR5 ZP	2
26	62153	PUMP-HYDRAULIC 5.3	1
	59761	SEAL KIT FOR 62153	
27	63702	PLATE-ADAPTER SAE 'B' PUMP	1
28	68111	BRACKET-BRACE BEARING	1
29	59517	BOLT-CRG: .50 X 1.75 NC GR5 ZP	8
30	1011581	WASHER-LOCK: .50 ZP	2
31	1011607	BOLT-HEX: .50 X 1.50 NC GR5 ZP	2



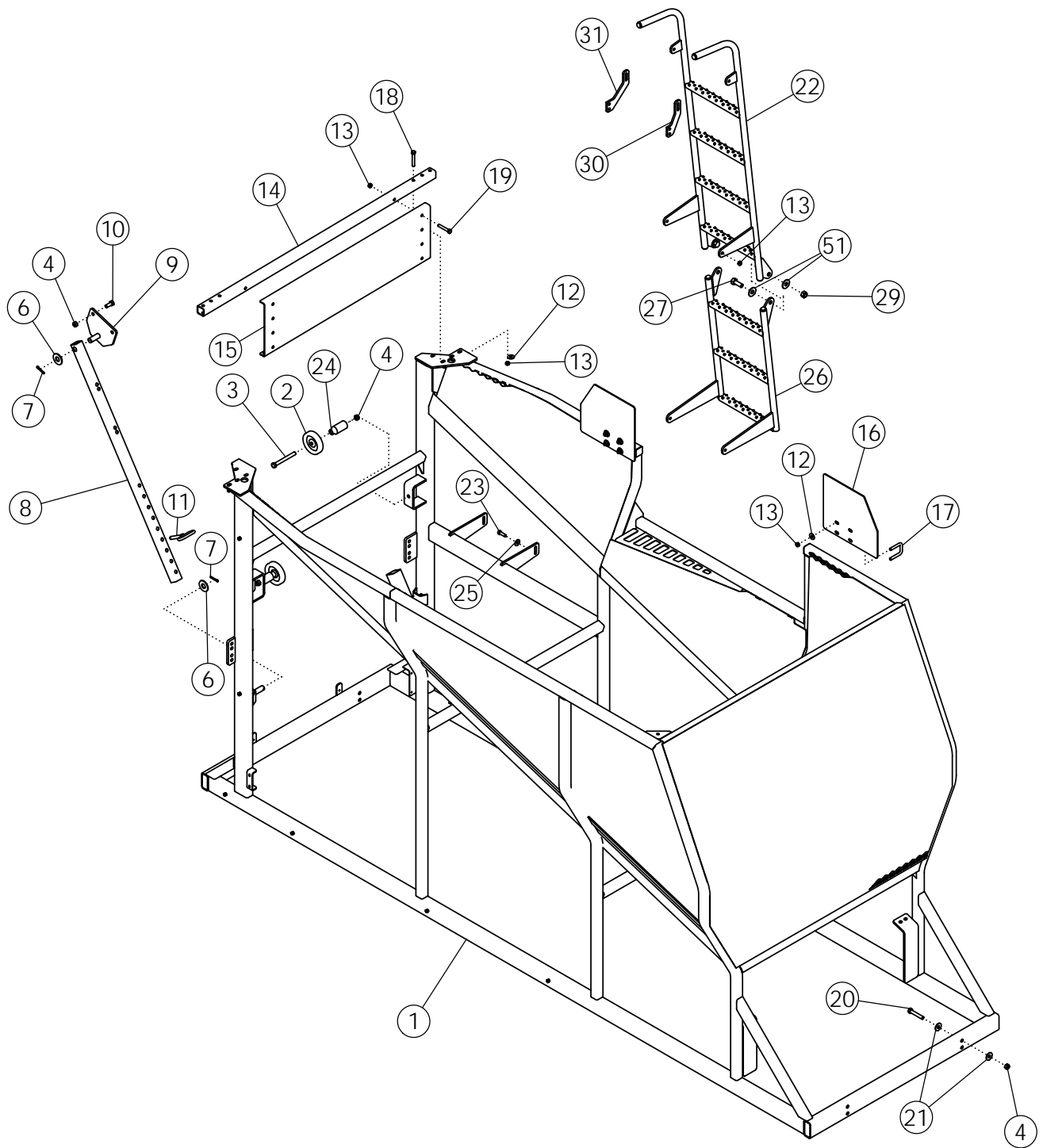
CLEANING ROLL DRIVE

ITEM	PART NO.	DESCRIPTION	QTY
1	56422	ASSY-SPINDLE & HUB	1
2	56711	ROD-PLATED	1
3	57680	SHEAVE 8B62Q	4
4	56853	SPRING	1
5	56708	HOLDER-PLATED	1
6	56707	ADJUSTMENT ROD ZP	1
7	1011581	WASHER-LOCK: .50 ZP	1
8	1011609	BOLT-HEX: .50 X 2.00 NC GR5 ZP	1
9	1011577	NUT-HEX: .50 NC GR2 ZP	1
10	1011578	NUT-HEX: .63 NC GR2 ZP	3
11	58295	WLDMT-IDLER	1
12	56425	TIGHTENER IDLER	1
13	56398	WLDMT-PULLEY 8R	2
14	50335	HUB Q1 1.75	2
15	50152	KEY .38 X .38 X 2.00	5
16	57995	KEY .50 X .50 X 2.00	1
17	53649	SPROCKET H60-P20	2
18	62106	SPROCKET H60-P19	1
19	53641	HUB P1 1.75 (WITH KEY)	3
20	1013024	WASHER-FLAT: .63 ZP	7
21	1016969	NUT-TOPLOCK: 1.00 NC GR5 ZP	2
22	1015558	BOLT-HEX: .50 X 1.00 NF GR5 ZP	4
23	58248	HUB Q2 2.00	1
24	1019827	PIN-COTTER: .19 X 1.00 NP	1
25	1011624	BOLT-HEX: .63 X 3.00 NC GR5 ZP	1
26	53651	7348-2 SPROCKET IDLER	1
27	1011813	WASHER-LOCK: .63 ZP	1
28	58165	CHAIN-ROLLER 60H-1R-052	1
29	56409	ASSY-IDLER PULLEY 8R	1
30	64474	V-BELT 8B195	1
31	55123	HUB Q2 1.75	3



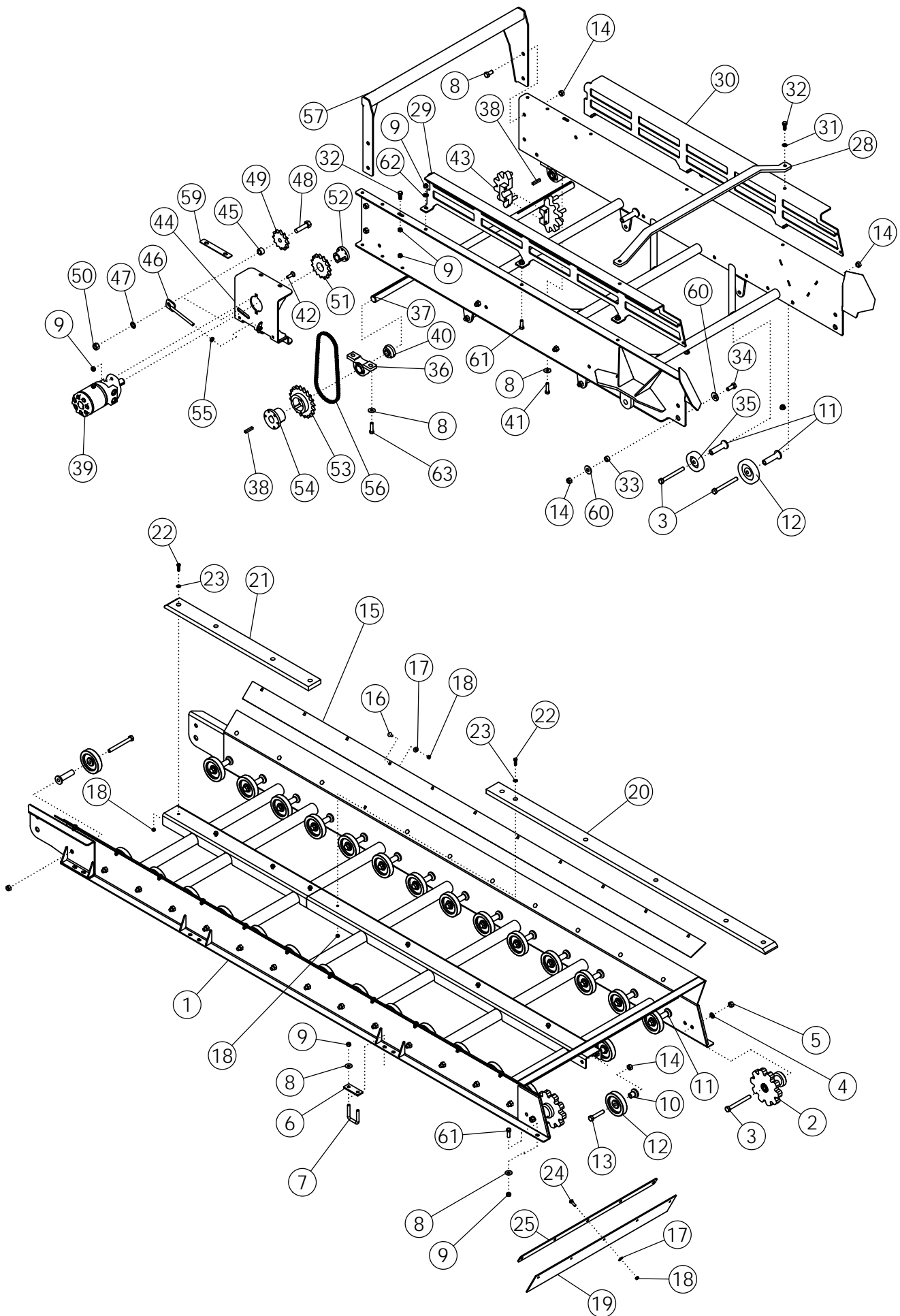
APRON/PADDLE SHAFT DRIVE

ITEM	PART NO.		QTY
1	58335	SPROCKET-CLUTCH 80P45 PRESET	1
	73034	SPROCKET H80-P14 (ROCK ONLY)	
2	63578	CHAIN-ROLLER 80H-1R-176	1
	69412	CHAIN-ROLLER 80H-1R-182 (PLASTIC PADDLE)	
3	53641	HUB P1 1.75 (WITH .38 X 2.00 KEY)	1
4	50385	HUB Q1 2.00	1
5	57993	SPROCKET-CLUTCH 80Q36 PRESET	1
	69630	SPROCKET-CLUTCH 80Q51 PRESET (PLASTIC PADDLE)	
6	57995	KEY .50 X .50 X 2.00	1
7	56851	SPROCKET-IDLER H8025 X 1.44	1
8	56864	WLDMT-ADJUSTER	1
9	56334	SPROCKET-IDLER 8012	1
10	1011577	NUT-HEX: .50 NC GR2 ZP	2
11	1032271	BOLT-HEX: .75 X 3.25 NC GR5 ZP	1
12	1012634	WASHER-FLAT: SAE .75 ZP	6
13	1030702	WASHER-FLAT: .75 ZP	2
14	1012061	WASHER-LOCK: .75 ZP	3
15	1011620	NUT-HEX: .75 NC GR5 ZP	3
16	57804	MOUNT	2
17	1013918	BOLT-HEX: .63 X 1.75 NC GR5 ZP	4
18	1013004	WASHER-FLAT: SAE .63 ZP	4
19	1016595	NUT-TOPLOCK: .63 NC GR5 ZP	4
20	57853	WLDMT-SUPPORT	1
21	1011625	BOLT-HEX: .75 X 4.00 NC GR5 ZP	2
22	57827	SLIDE-CHAIN	1
23	1011601	BOLT-HEX: .38 X 1.25 NC GR5 ZP	2
24	1014608	WASHER-FLAT: SAE .38 ZP	2
25	1016999	NUT-TOPLOCK: .38 NC GR5 ZP	2
26	69625	WLDMT-IDLER PADDLE SHAFT	1
27	72063	BOLT-CRG: .63 X 1.50 NC GR5 ZP	3
28	1016595	NUT-TOPLOCK: .63 NC GR5 ZP	3
29	68136	PLUG- .625 SQUARE PLASTIC (NOT SHOWN)	4



TANK

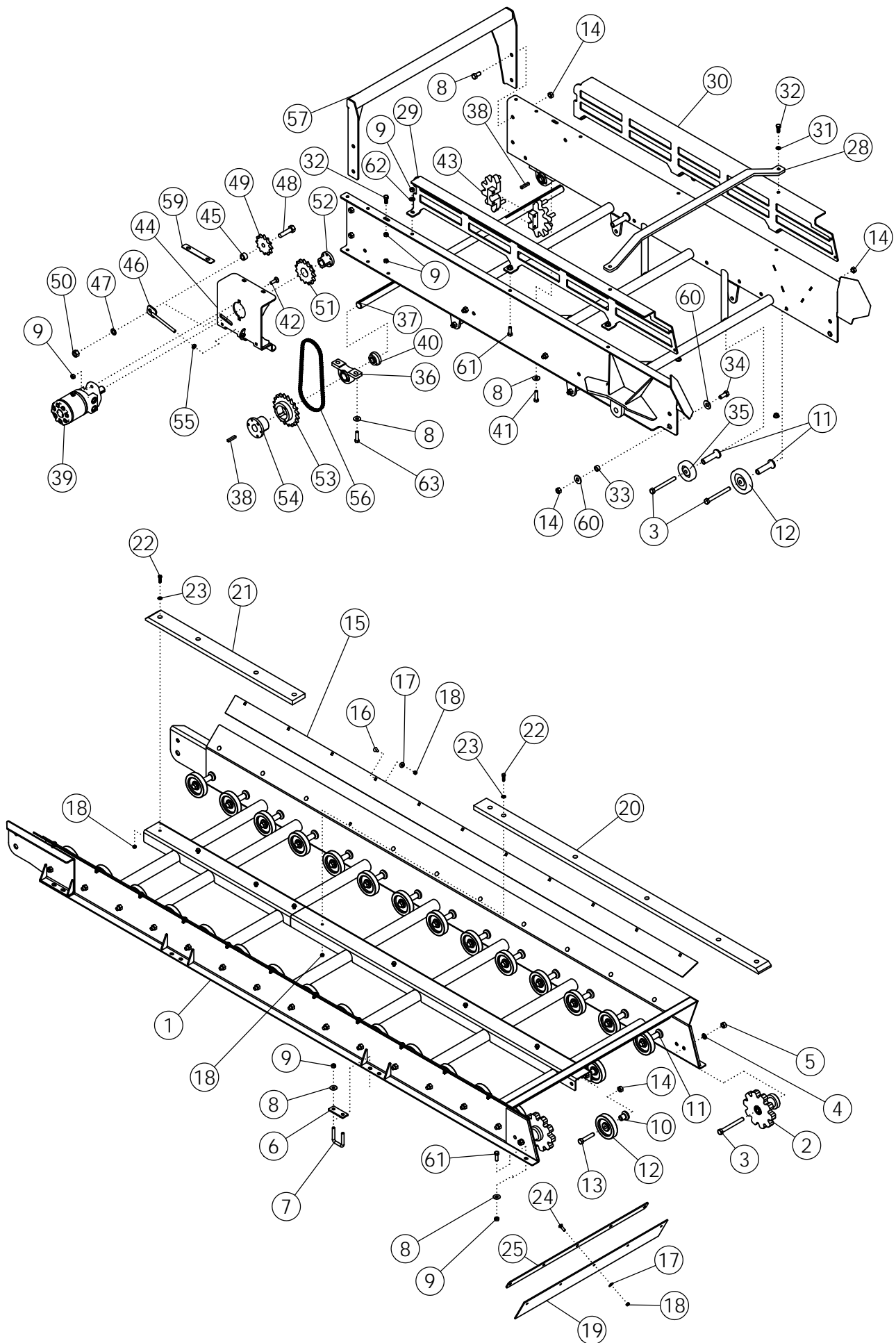
ITEM	PART NO.	DESCRIPTION	QTY
1	69782	WLDMT-TANK SCRUB 8R	1
2	53825	BOGIE WHEEL 5"	2
3	1013068	BOLT-HEX: .63 X 6.00 NC GR5 ZP	2
4	1016595	NUT-TOPLOCK: .63 NC GR5 ZP	14
5	54788	WLDMT-LOCK SLIDE	2
6	1020685	WASHER-FLAT: 1.00 ZP	4
7	1016944	PIN-COTTER: .25 X 2.00 ZP	4
8	56836	TUBE-LOCK	2
9	54785	WLDMT-LOCK BRACKET	2
10	1014349	BOLT-HEX: .63 X 1.50 NC GR5 ZP	4
11	1030947	PIN-HITCH: .63 X 4.00 ZP W/HAIRPIN	2
12	1014443	WASHER-FLAT: .50 ZP	22
13	1027461	NUT-TOPLOCK: .50 NC GR5 ZP	28
14	64749	TUBE-STRIKER	1
15	64574	PLATE-STRIKER	1
16	57917	PLATE-EXTENSION	2
17	65658	U-BOLT: .50 X 3 X 2.06 X 3	4
18	1017719	BOLT-HEX: .50 X 3.25 NC GR5 ZP	4
19	1011611	BOLT-HEX: .50 X 3.00 NC GR5 ZP	2
20	1014000	BOLT-HEX: .63 X 3.50 NC GR5 ZP	8
21	1013024	WASHER-FLAT: .63 ZP	16
22	72420	WLDMT-LADDER TOP	1
23	1011607	BOLT-HEX: .50 X 1.50 NC GR5 ZP	10
24	64192	STAND-OFF 4.00	2
25	1011584	WASHER-FLAT: SAE .50 ZP	4
26	301320	WLDMT-LADDER BOTTOM 3-RUNG	1
27	1012060	BOLT-HEX: .75 X 2.00 GR5 ZP	2
28	1030702	WASHER-FLAT: .75 ZP	4
29	1017000	NUT-TOPLOCK: .75 NC GR5 ZP	2
30	301383	PLATE-LADDER MOUNT LH	1
31	301384	PLATE-LADDER MOUNT RH	1
32	59615	DECAL-REFLECTIVE TAPE (NOT SHOWN)	8



ELEVATOR AND BOOM ASSEMBLY 8 ROW

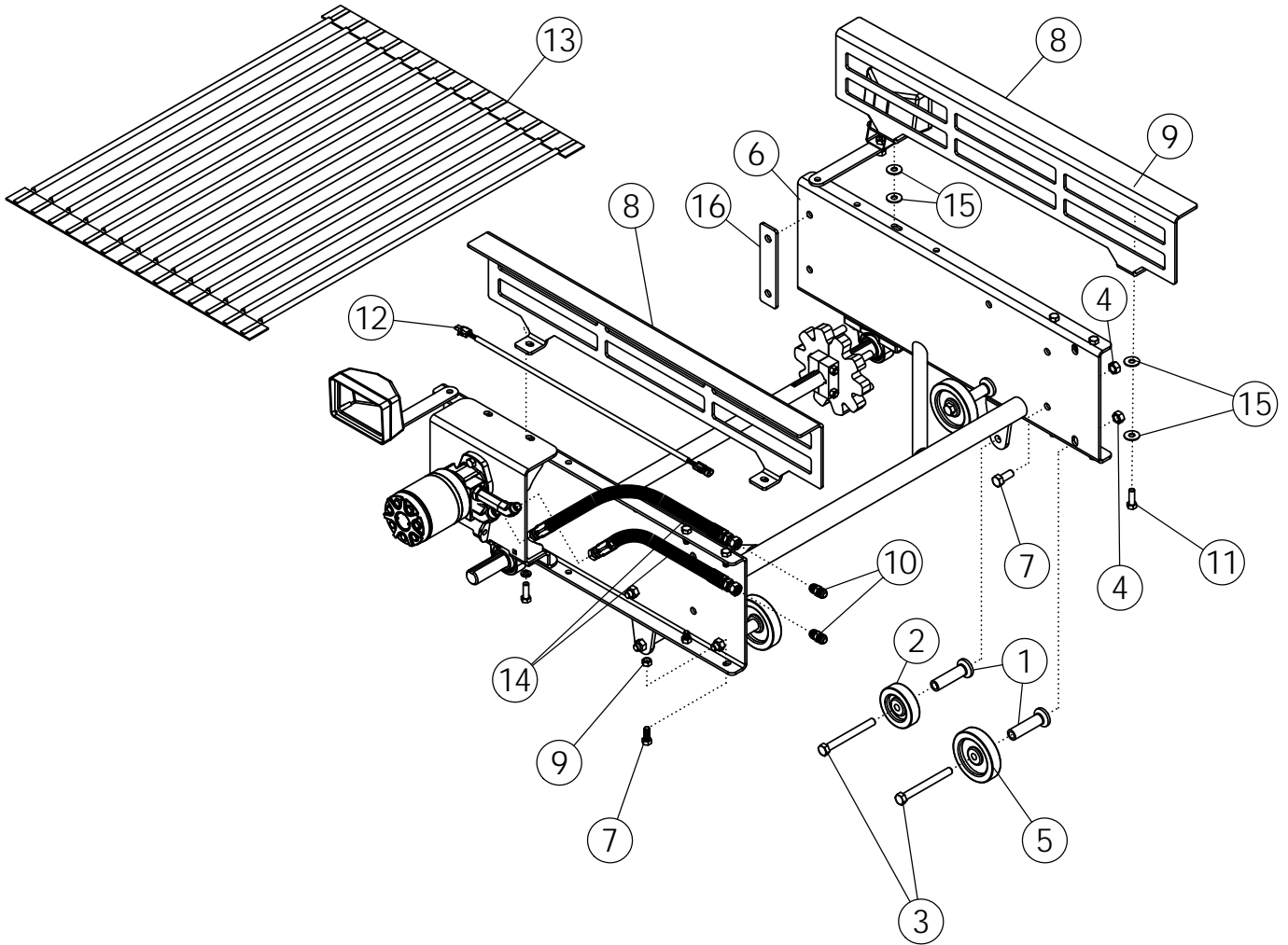
ITEM	PART NO.	DESCRIPTION	QTY
1	301505	WLDMT-ELEVATOR 8R	1
2	63813	SPROCKET-IDLER 50MM 10T	2
	54824	SPROCKET-IDLER 56MM	
3	1013068	BOLT-HEX: .63 X 6.00 NC GR5 ZP	44
4	1011813	WASHER-LOCK: .63 ZP	2
5	1011578	NUT-HEX: .63 NC GR2 ZP	2
6	64748	PLATE-ELEVATOR BACKING	8
7	65658	U-BOLT: .50 X 3 X 2.06 X 3	6
8	1014443	WASHER-FLAT: .50 ZP	25
9	1027461	NUT-TOPLOCK: .50 NC GR5 ZP	30
10	58971	STAND OFF 1.50"	2
11	64192	STAND OFF	42
12	53825	BOGIE WHEEL 5"	40
13	65825	BOLT-HEX: .63 X 3.25 NC GR5 ZP	2
14	1016595	NUT-TOPLOCK: .63 NC GR5 ZP	50
15	64550	SHEET-BELT PROTECTOR	2
16	59488	BOLT-CRG: .38 X 1.00 NC GR5 ZP	28
17	1011828	WASHER-FLAT .38 ZP	33
18	1016999	NUT-TOPLOCK: .38 NC GR5 ZP	43
19	64609	FLAP-ELEVATOR	1
20	69822	SLIDE-ELEVATOR PLASTIC 6R/8R/12R	1
21	301507	SLIDE-ELEVATOR PLASTIC 8R	1
22	1011601	BOLT-HEX: .38 X 1.25 NC GR5 ZP	10
23	1014608	WASHER-FLT: SAE .38 ZP	12
24	1016362	BOLT-CRG: .38 X 1.25 NC GR5 ZP	5
25	64608	STRIP-BOLTING	1
26	68073	BELT-50MM ELEVATOR 8R (NOT SHOWN)	1
	68072	BELT-56MM ELEVATOR 8R (NOT SHOWN)	
	301516	BELT- 56MM ELEVATOR 8R DOUBLE (NOT SHOWN)	
	301517	BELT- 50MM ELEVATOR 8R DOUBLE (NOT SHOWN)	
27	53450	WLDMT-ELEVATOR BOOM 4R/6R/8R	1
28	54803	CROSS BRACE-BOOM	1
29	301525	PLATE-BOOM EXTENSION SHORT FRONT	1
30	301524	PLATE-BOOM EXTENSION SHORT REAR	1
31	1011581	WASHER-LOCK: .50 ZP	2
32	1011606	BOLT-HEX: .50 X 1.25 NC GR5 ZP	4
33	53449	SLEEVE-HINGE	2
34	1014349	BOLT-HEX: .63 X 1.50 NC GR5 ZP	6
35	53854	BOGIE WHEEL 4"	4
36	53708	PILLOW BLOCK BEARING UCP-206-20	2

CONTINUED



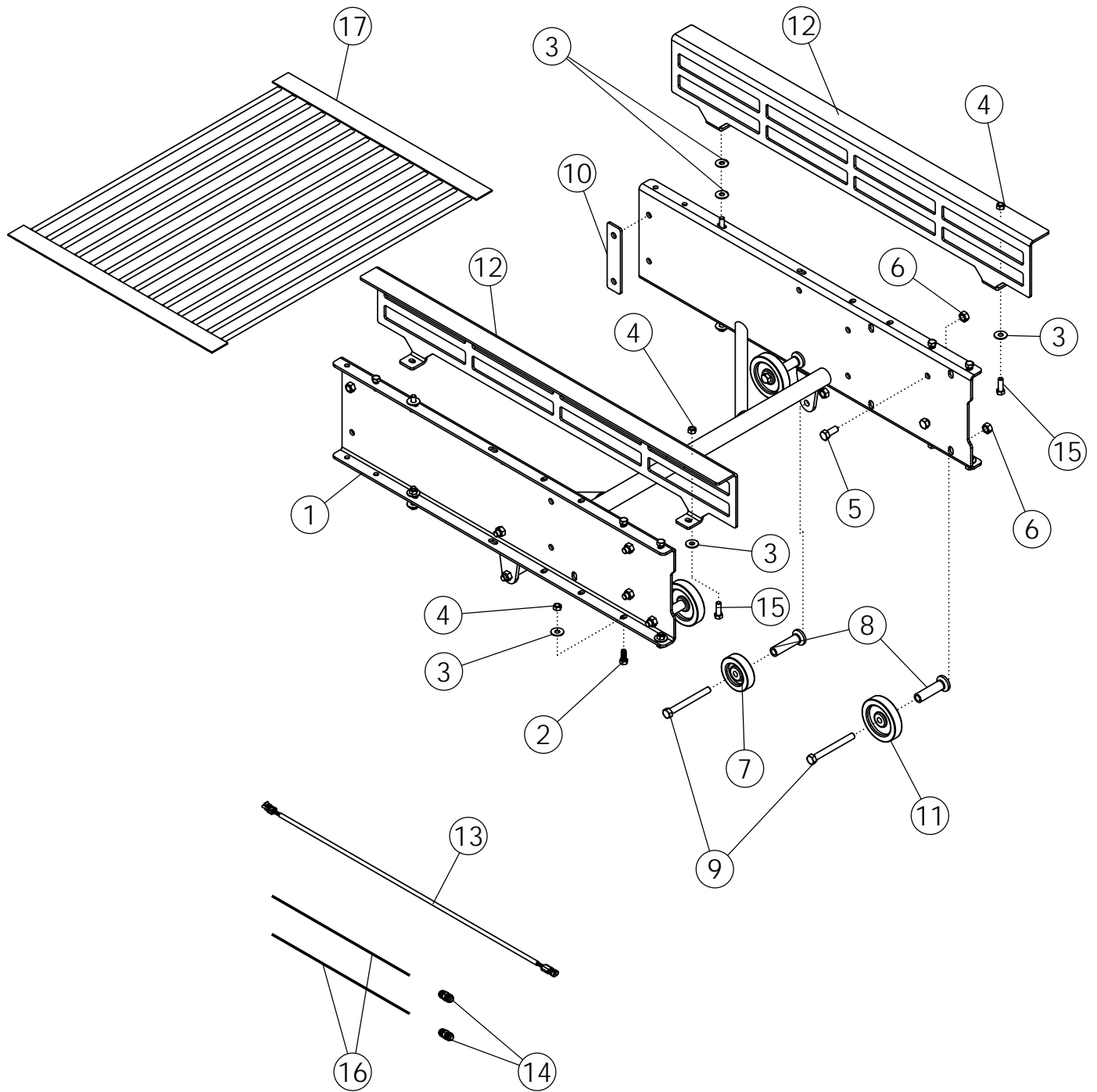
ELEVATOR AND BOOM ASSEMBLY (CONTINUED)

ITEM	PART NO.	DESCRIPTION	QTY
37	68650	SHAFT-HEAD Ø1.750	1
38	50152	KEY .38 X .38 X 2.00	3
39	57686	MOTOR-HYDRAULIC 32.3IN ³ /REV	1
	57880	SEAL KIT FOR 57686	
40	52382	SEAL PROTECTOR 1-3/4"	2
41	1011608	BOLT-HEX: .50 X 1.75 NC GR5 ZP	2
42	1011660	BOLT-CRG: .50 X 1.50 NC GR5 ZP	2
43	68658	SPROCKET-SPLIT 56MM 10T Ø1.750	2
	68659	SPROCKET-SPLIT 50MM 12T Ø1.750	
	301521	SPROCKET-SPLIT 50MM 12T Ø1.750 DOUBLE BELT	
44	64627	WLDMT-REDUCTION MOUNT	1
45	58086	SPACER-CHAIN IDLER ZP	1
46	63876	TENSIONER ZP	1
47	1012061	WASHER-LOCK: .75 ZP	1
48	1012059	BOLT-HEX: .75 X 3.00 NC GR5 ZP	1
49	56334	SPROCKET-IDLER 8012	1
50	1011620	NUT-HEX: .75 NC GR2 ZP	1
51	64155	SPROCKET H80-P15	1
52	53719	HUB P1 1-1/4"	1
53	56650	SPROCKET H80-Q20	1
54	50752	HUB Q1 1-7/16"	1
55	1011591	NUT-JAM: .50 NC ZP	2
56	64654	CHAIN-ROLLER 60H-1R-045	1
	64675	LINK-OFFSET #80H	2
57	64578	WLDMT-BOOM END SUPPORT	1
58	1032509	BOLT-HEX: .63 X 1.25 NC GR5 ZP	4
59	64732	PLATE-SHIM 0.120	1
60	1013024	WASHER-FLAT: .63 ZP	4
61	1011607	BOLT-HEX: .50 X 1.50 NC GR5 ZP	8
62	1011584	WASHER-FLAT: SAE .50 ZP	12
63	1017708	BOLT-HEX: .50 X 2.25 NC GR5 ZP	2



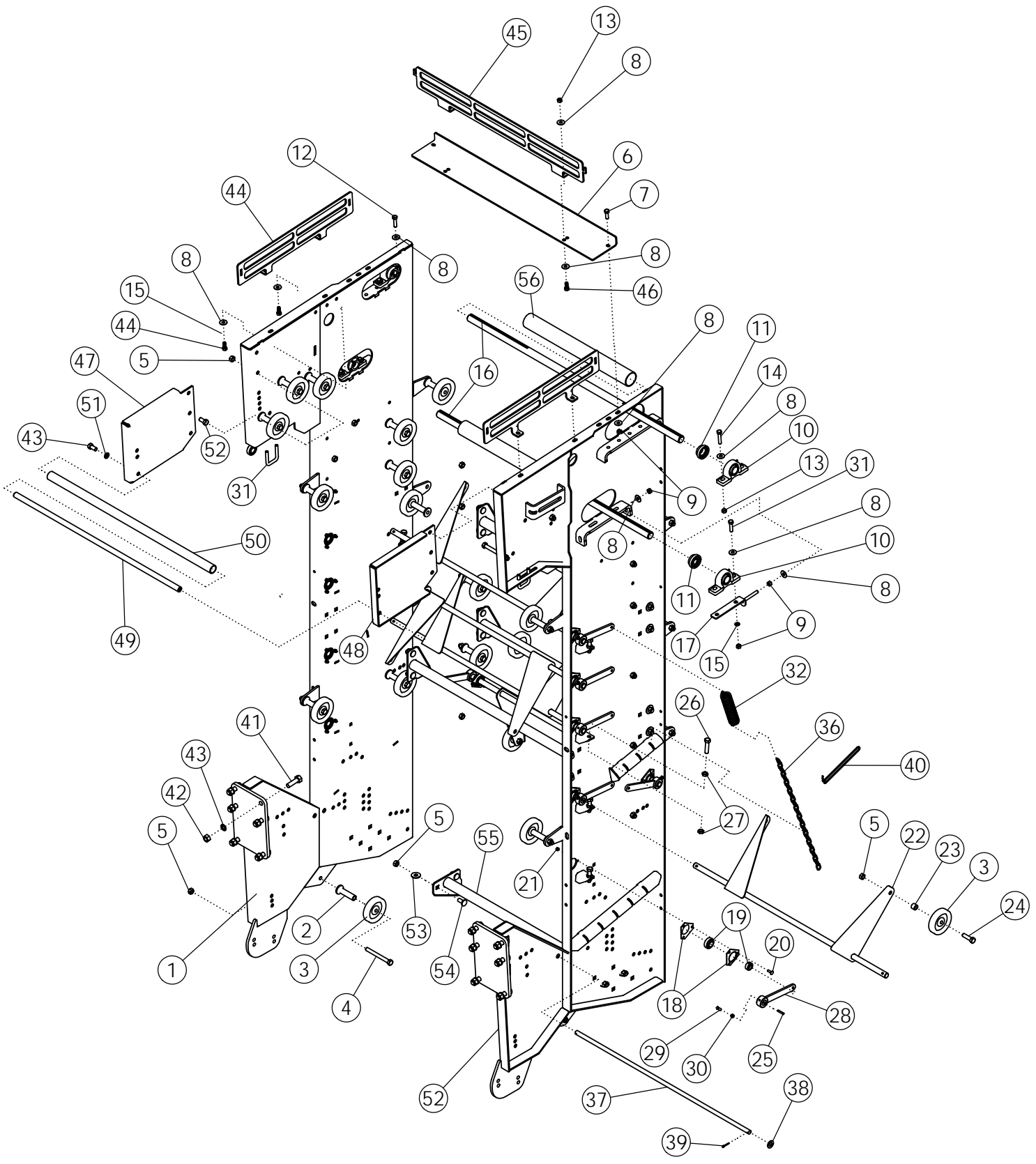
BOOM EXTENSION 50MM/56MM (OPTIONAL)

ITEM	PART NO.	DESCRIPTION	QTY
1	64192	STAND OFF	6
2	53854	BOGIE WHEEL 4"	2
3	1013068	BOLT-HEX: .63 X 6.00 NC GR5 ZP	6
4	1016595	NUT-TOPLOCK: .63 NC GR5 ZP	10
5	53825	BOGIE WHEEL 5"	4
6	68708	WLDMT-BOOM EXTENSION	1
7	1011606	BOLT-HEX: .50 X 1.25 NC GR5 ZP	8
8	302241	WLDMT-BOOM RISER EXT. RAIL	2
9	1027461	NUT-TOPLOCK: .50 NC GR5 ZP	12
10	58194	FTG-ADAPTER: 8MJ-8MJ	2
11	1011607	BOLT-HEX: .50 X 1.50 NC GR5 ZP	4
12	64077	HARNESS-EXTENSION: 32" 2 WIRE	2
13	68077	BELT-50MM: .50 X 42 X 30LPR	1
	68076	BELT-56MM: .50 X 42 X 27LPR	
	301836	BELT-56MM ELEVATOR EXT DOUBLE	
14	57676	HOSE: .50 X 31 8FJX-8FJX	2
15	1014443	WASHER-FLAT: .50 ZP	17
16	68710	PLATE-BOOM SUPPORT SPACER	2
17	1014349	BOLT-HEX: .63 X 1.50 NC GR5 ZP	4



BOOM EXTENSION LONG 56MM (OPTIONAL)

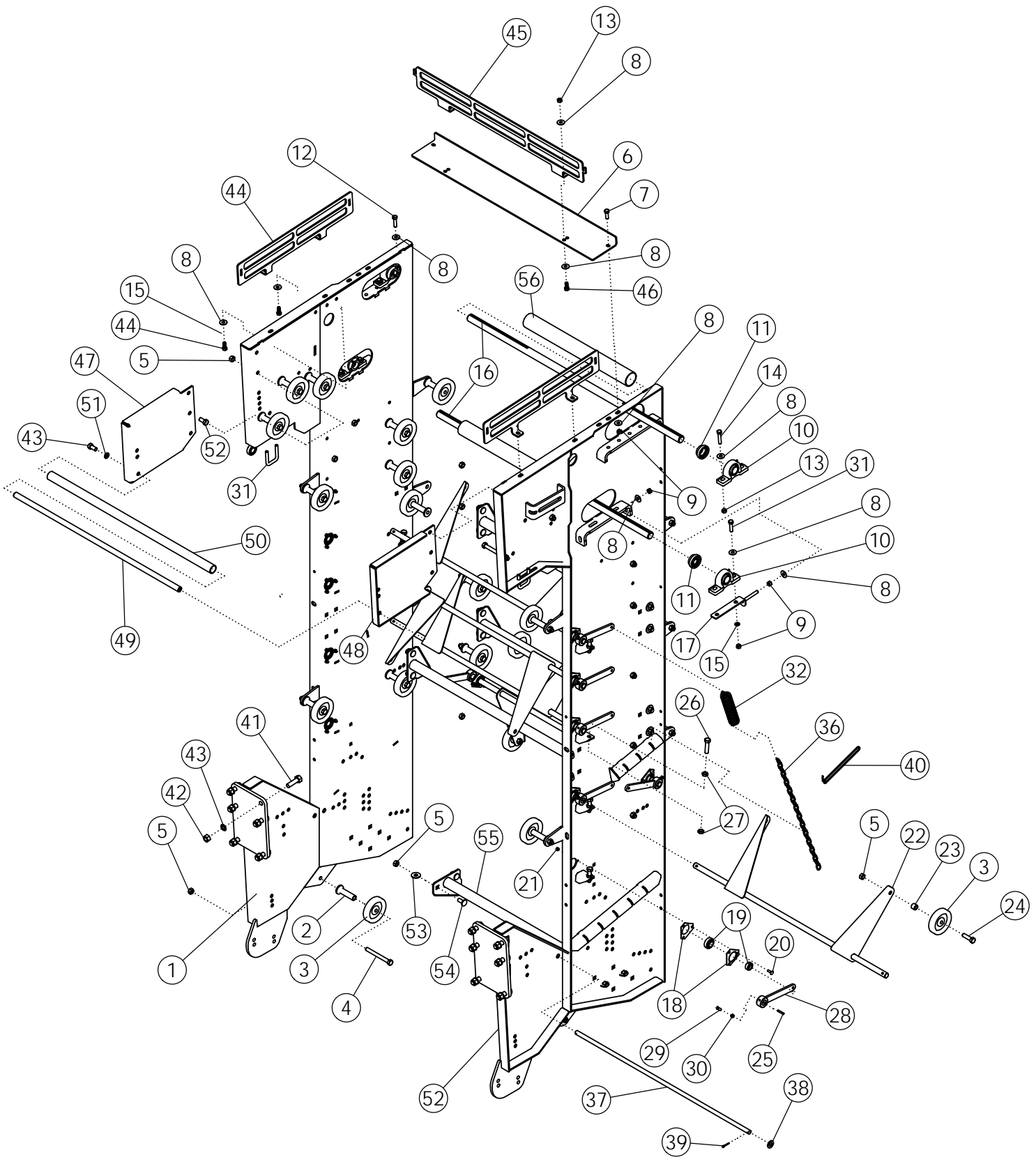
ITEM	PART NO.	DESCRIPTION	QTY
1	301090	WLDMT- BOOM EXTENSION Ø1.75 SHAFT LONG	1
2	1011606	BOLT-HEX: .50 X 1.25 NC GR5 ZP	8
3	1014443	WASHER-FLAT: .50 ZP	17
4	1027461	NUT-TOPLOCK: .50 NC GR5 ZP	12
5	1014349	BOLT-HEX: .63 X 1.50 NC GR5 ZP	4
6	1016595	NUT-TOPLOCK: .63 NC GR5 ZP	10
7	53854	BOGIE WHEEL 4"	2
8	64192	STAND OFF	6
9	1013068	BOLT-HEX: .63 X 6.00 NC GR5 ZP	6
10	68710	PLATE-BOOM SUPPORT SPACER	2
11	53825	BOGIE WHEEL 5"	4
12	302242	PLATE-BOOM RAILING-42" BOOM EXT	2
13	301104	HARNES - EXTENSION 44" 2 WIRE	2
14	58194	FTG-ADAPTER: 8MJ-8MJ	2
15	1011607	BOLT-HEX: .50 X 1.50 NC GR5 ZP	4
16	301105	HOSE: .50 X 043 8FJX-8FJX	2
17	301106	BELT-56MM ELEVATOR EXTENSION 38 LPR	1



REAR SCRUB

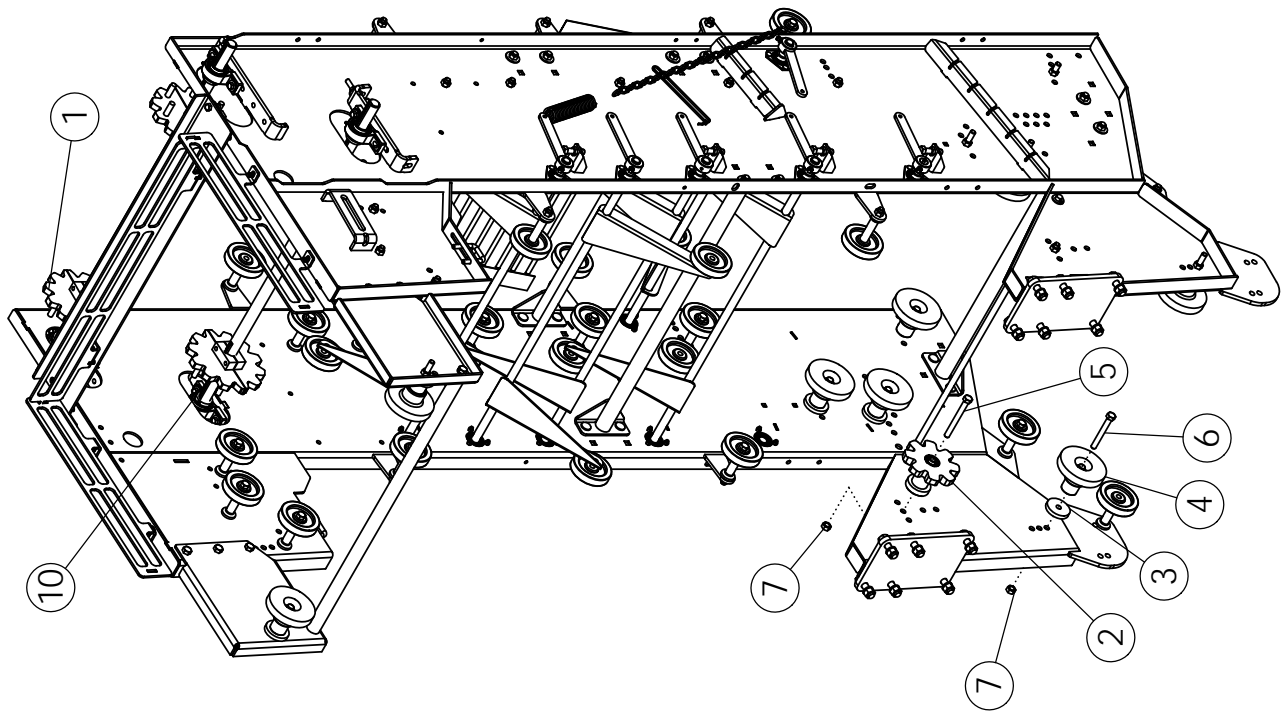
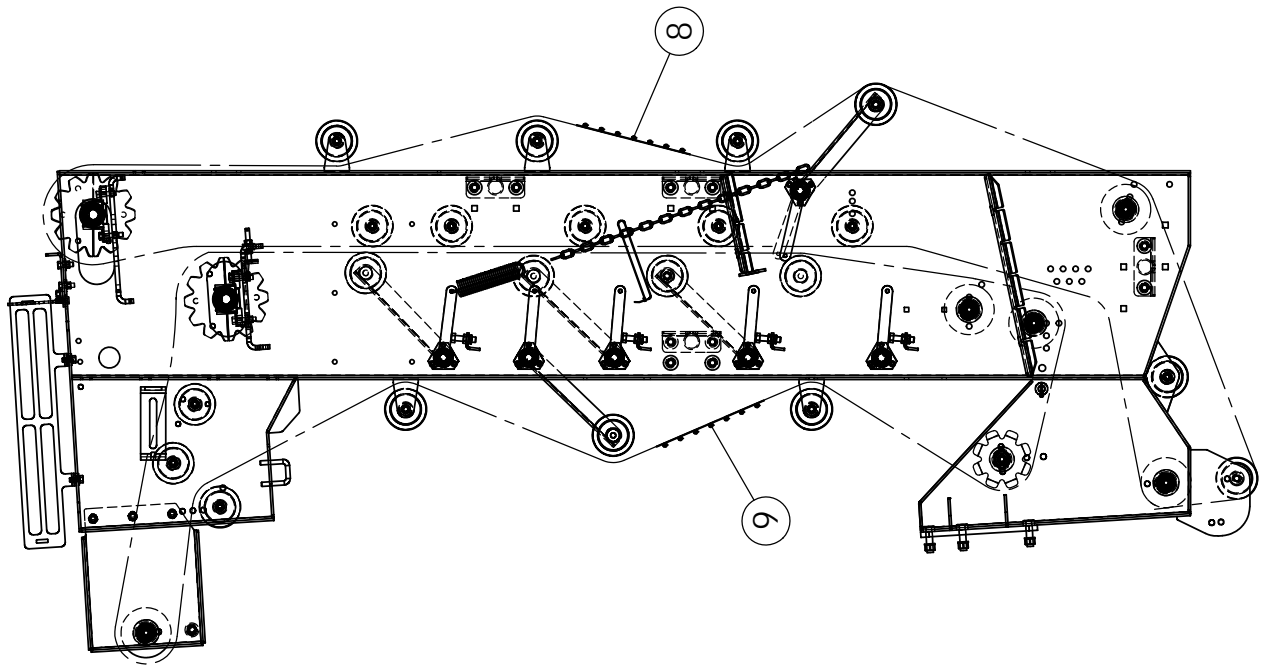
ITEM	PART NO.	DESCRIPTION	QTY
1	300402	WLDMT-REAR SCRUB PANEL RH	1
2	64192	STAND OFF	28
3	53825	BOGIE WHEEL 5"	40
4	1013068	BOLT-HEX: .63 X 6.00 NC GR5 ZP	28
5	1016595	NUT-TOPLOCK: .63 NC GR5 ZP	64
6	57916	BAR-STRIPPER	1
7	1011606	BOLT-HEX: .50 X 1.25 NC GR5 ZP	2
8	1014443	WASHER-FLAT: .50 ZP	28
9	1011577	NUT-HEX: .50 NC GR2 ZP	14
10	52405	PILLOW BLOCK BEARING 1.75	4
11	52382	SEAL PROTECTOR 1.75	4
12	1011609	BOLT-HEX: .50 X 2.00 NC GR5 ZP	4
13	1027461	NUT-TOPLOCK: .50 NC GR5 ZP	10
14	1011610	BOLT-HEX: .50 X 2.50 NC GR5 ZP	4
15	1011581	WASHER-LOCK: .50 ZP	2
16	68650	SHAFT-HEAD 1.75	2
17	68655	TIGHTENER-ZP	2
18	53945	TRIANGLE FLANGETTE	24
19	53944	BEARING-INSERT 1" WITH LOCKING COLLAR	12
20	1017255	BOLT-CRG: .31 X 1.00	36
21	1030700	NUT-TOPLOCK: .31 NC GR5 ZP	36
22	53401	WLDMT-PENDULUM	6
23	64253	SPACER ZP	12
24	1017526	BOLT-HEX: .63 X 2.25 NC GR5 ZP	12
25	1012975	KEY .250 X .250 X 1.250	12
26	69390	BOLT-HEX: .63 X 2.50 NC GR5 ZP FULL	8
27	1026259	NUT-JAM: .63 NC GR2 ZP	16
28	50718	ARM-ZP	12
29	50813	SCREW-SET: SQ HD .38 X 1.00 ZP	12
30	1013519	NUT-JAM: .38 NC GR2 ZP	12
31	65658	U-BOLT: .50 X 3 X 2.063 X 3	2
32	53159	SPRING	12
33	57937	CHAIN-LINK: .19 X 8.00 (NOT SHOWN)	4
34	57938	CHAIN-LINK: .19 X 20.00 (NOT SHOWN)	2
35	57939	CHAIN-LINK: .19 X 24.00 (NOT SHOWN)	4
36	57940	CHAIN-LINK: .19 X 30.00	2
37	62896	ROD-SCRUB CLEANER	1
38	1012634	WASHER-FLAT: SAE .75 ZP	2
39	1011984	PIN-COTTER: .16 X 1.50 ZP	2
40	1017248	TIE, CABLE	4

CONTINUED



REAR SCRUB (CONTINUED)

ITEM	PART NO.	DESCRIPTION	QTY
41	1016598	BOLT- HEX: .75 X 2.50 NC GR5 ZP	12
42	1017000	NUT-TOPLOCK: .75 NC	12
43	1032509	BOLT-HEX: .63 X 1.25 NC GR5 ZP	8
44	73127	PLATE-SCRUB EXT.-SIDE	2
45	58898	PLATE-SCRUB EXT-REAR	1
46	1011607	BOLT-HEX: .50 X 1.50 NC GR5 ZP	6
47	54805	REAR SCRUB EXTENSION RH	1
48	54778	REAR SCRUB EXTENSION LH	1
49	56754	PIPE-THREADED	1
50	56773	PIPE-PLASTIC	1
51	1011813	WASHER-LOCK: .63 ZP	2
52	300401	WLDMT-REAR SCRUB PANEL LH	1
53	1013024	WASHER-FLAT: .63 ZP	16
54	72063	BOLT-CRG: .63 X 1.50 NC GR5 ZP	16
55	300403	WLDMT-CROSS TUBE	4
56	302402	PIPE-PLASTIC	2



REAR SCRUB: BELTED CHAIN 56MM

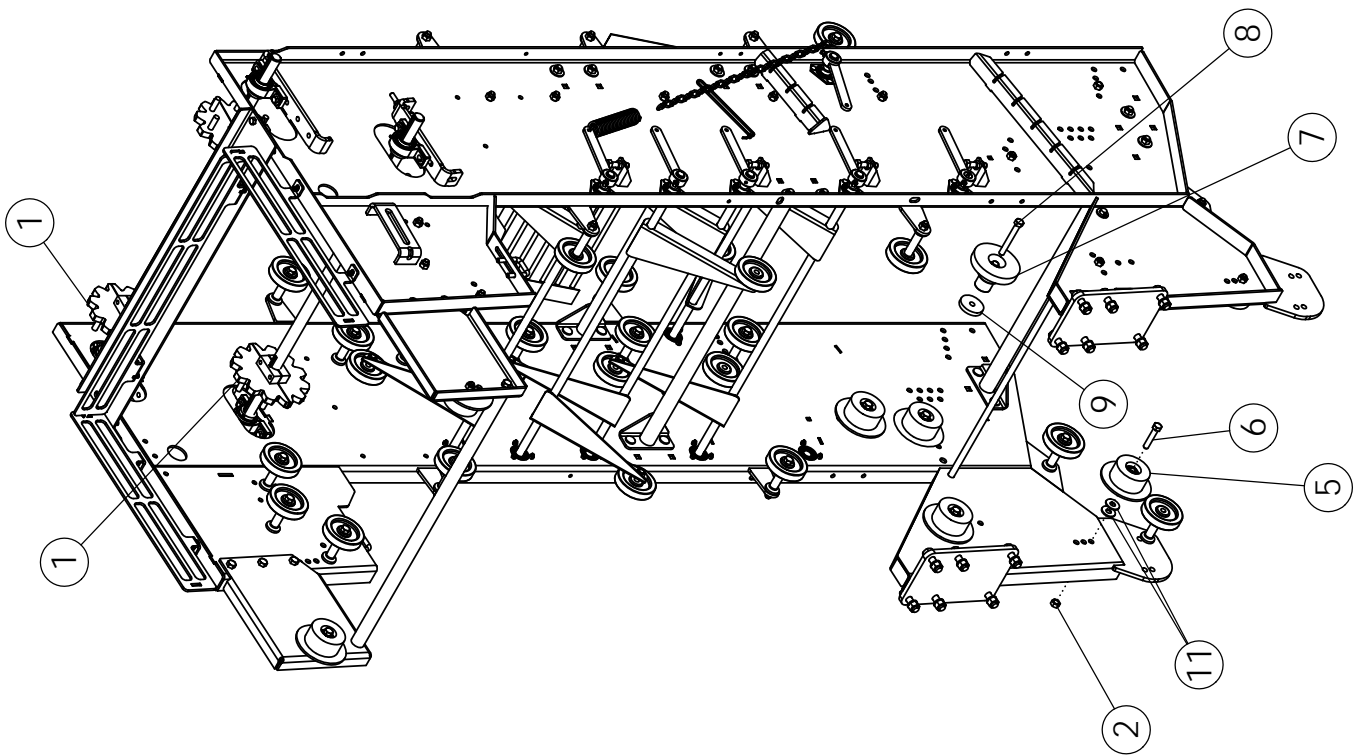
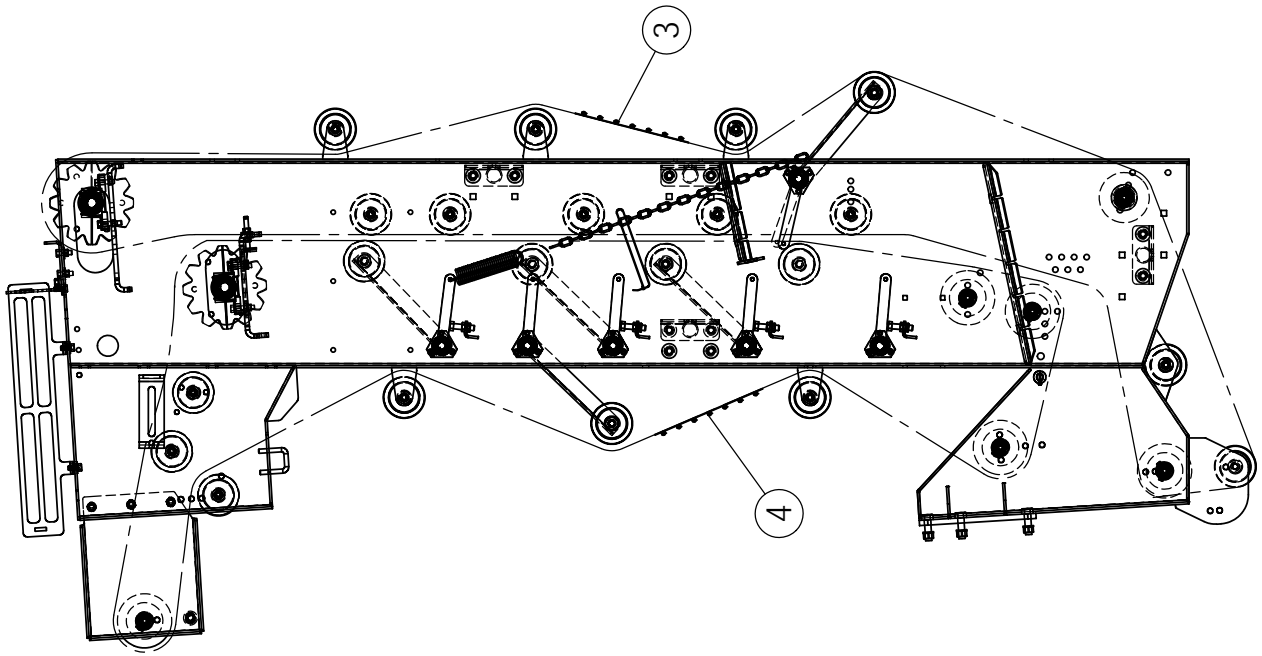
ITEM	PART NO.	DESCRIPTION	QTY
1	68651	SPROCKET-SPLIT 56MM	2
	68667*	SPROCKET-56MM 14T URETHANE (OUTSIDE)	2
2	54824	SPROCKET-IDLER 56MM	2
3	62932	PLATE-SHIM	10
4	54042	ROLLER-FLANGE 6"	10
5	1013068	BOLT-HEX: .63 X 6.00 NC GR5 ZP	2
6	1013816	BOLT-HEX: .63 X 5.00 NC GR5 ZP	10
7	1016595	NUT-TOPLOCK: .63 NC GR5 ZP	12
8	53842	BELT-56MM 1/2 X 42 X 156 LPR	1
9	62141	BELT-56MM 1/2 X 42 X 136 LPR	1
10	68651	SPROCKET-SPLIT 56MM (INSIDE)	2
11	50152	KEY .375 X .375 X 2.000 (NOT SHOWN)	4
	58201*	KEY .375 X .375 X 3.000 (NOT SHOWN)	

* Urethane option only

REAR SCRUB: BELTED CHAIN 50MM

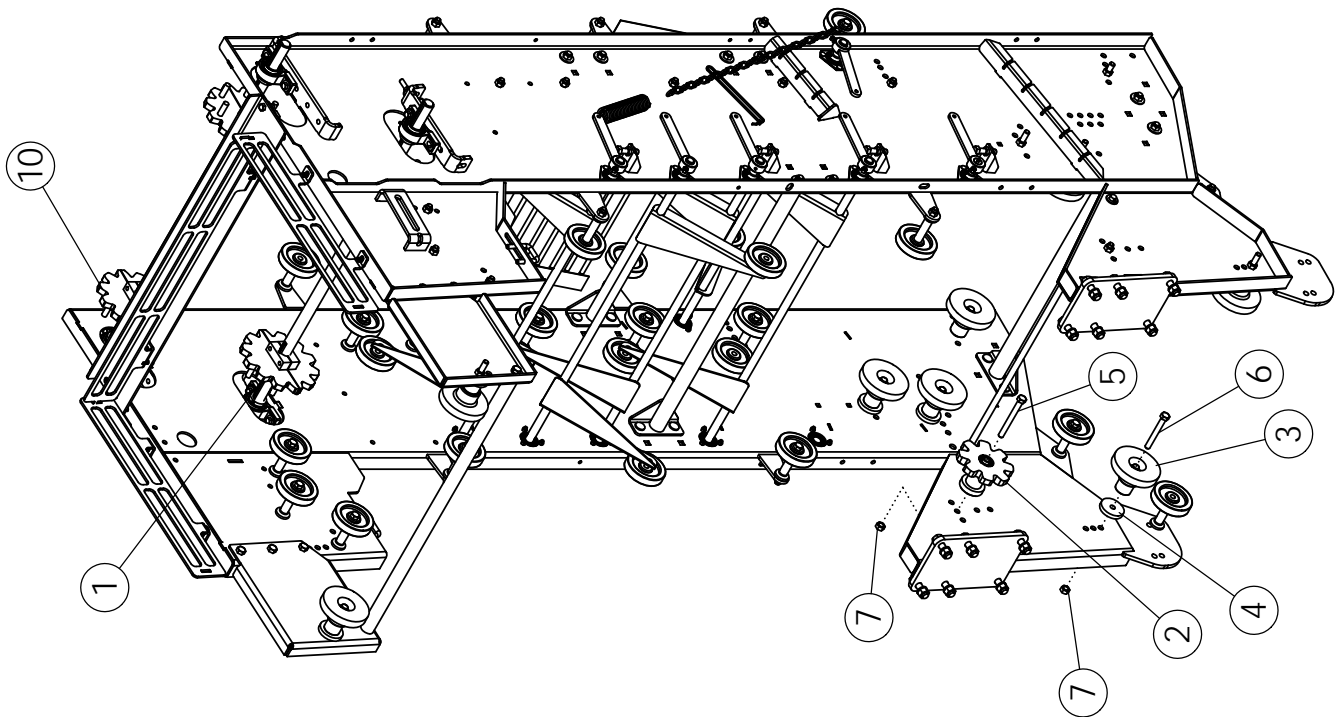
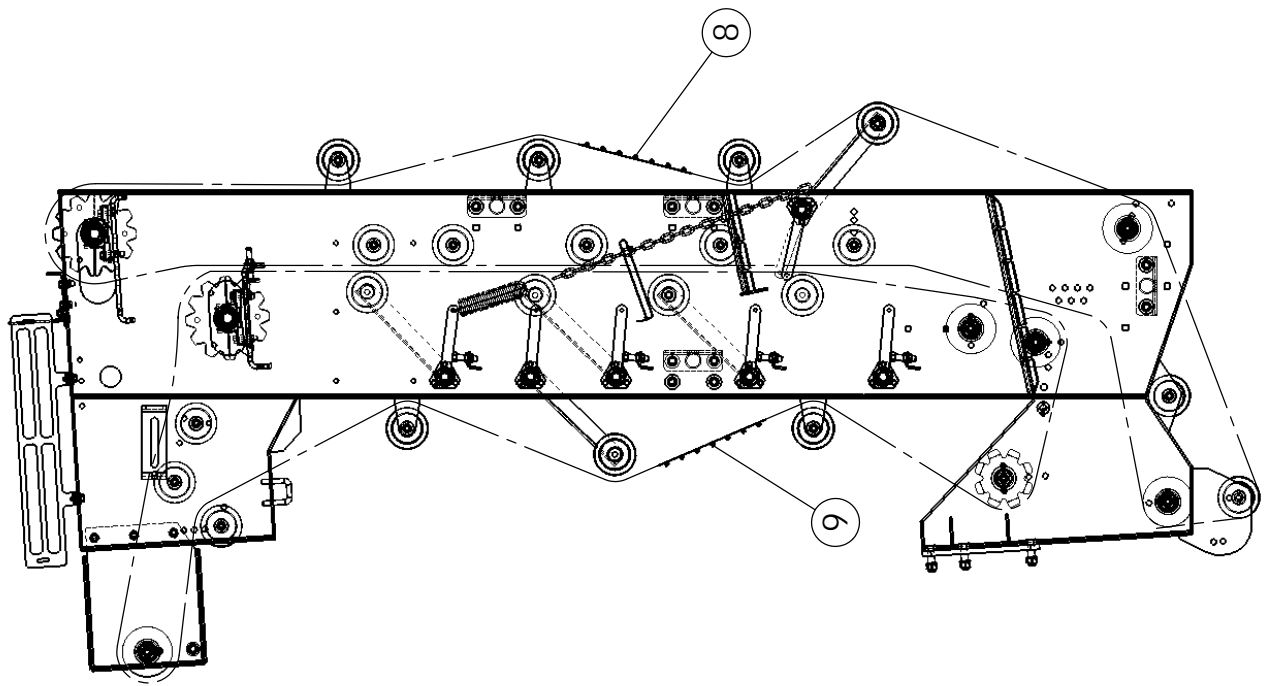
ITEM	PART NO.	DESCRIPTION	QTY
1	68657	SPROCKET-SPLIT 50MM	4
	68666*	SPROCKET-SPLIT 50MM 14T URETHAN Ø1.75	2
2	63813	SPROCKET-IDLER 50MM	2
3	62932	PLATE-SHIM	8
4	54042	ROLLER-FLANGE 6"	8
5	1013068	BOLT-HEX .63 X 6.00 NC GR5 ZP	4
	1013816*	BOLT-HEX: .63 X 5.00 NC GR5 ZP	
6	1013816	BOLT-HEX .63 X 5.00 NC GR5 ZP	8
	1013068*	BOLT-HEX: .63 X 6.00 NC GR5 ZP	
7	1016595	NUT-TOPLOCK: .63 NC GR5 ZP	12
8	63815	BELT-50MM 1/2 X 42 X 175 LPR	1
9	63814	BELT-50MM 1/2 X 42 X 154 LPR	1
10	68657	SPROCKET-SPLIT 50MM	2
11	50152	KEY .375 X .375 X 2.000 (NOT SHOWN)	4
	58201*	KEY .375 X .375 X 3.000 (NOT SHOWN)	

* Urethane option only



REAR SCRUB: 56MM BELTED CHAIN FLANGE

ITEM	PART NO.	DESCRIPTION	QTY
1	68651	SPROCKET-SPLIT 56MM	4
2	1016595	NUT-TOPLOCK: .63 NC GR5 ZP	12
3	53842	BELT-56MM 1/2 X 42 X 156 LPR	1
4	62141	BELT-56MM 1/2 X 42 X 136 LPR	1
5	59057	ROLLER-FLANGE 6.5"	10
6	65825	BOLT-HEX: .63 X 3.25 NC GR5 ZP	10
7	54042	ROLLER-STEP 6" (LONG)	2
8	1013816	BOLT-HEX: .63 X 5.00 NC GR5 ZP	2
9	62932	PLATE-SHIM	2
10	50152	KEY .375 X .375 X 2.000 (NOT SHOWN)	4
11	1013024	WASHER-FLAT: .63 ZP	20

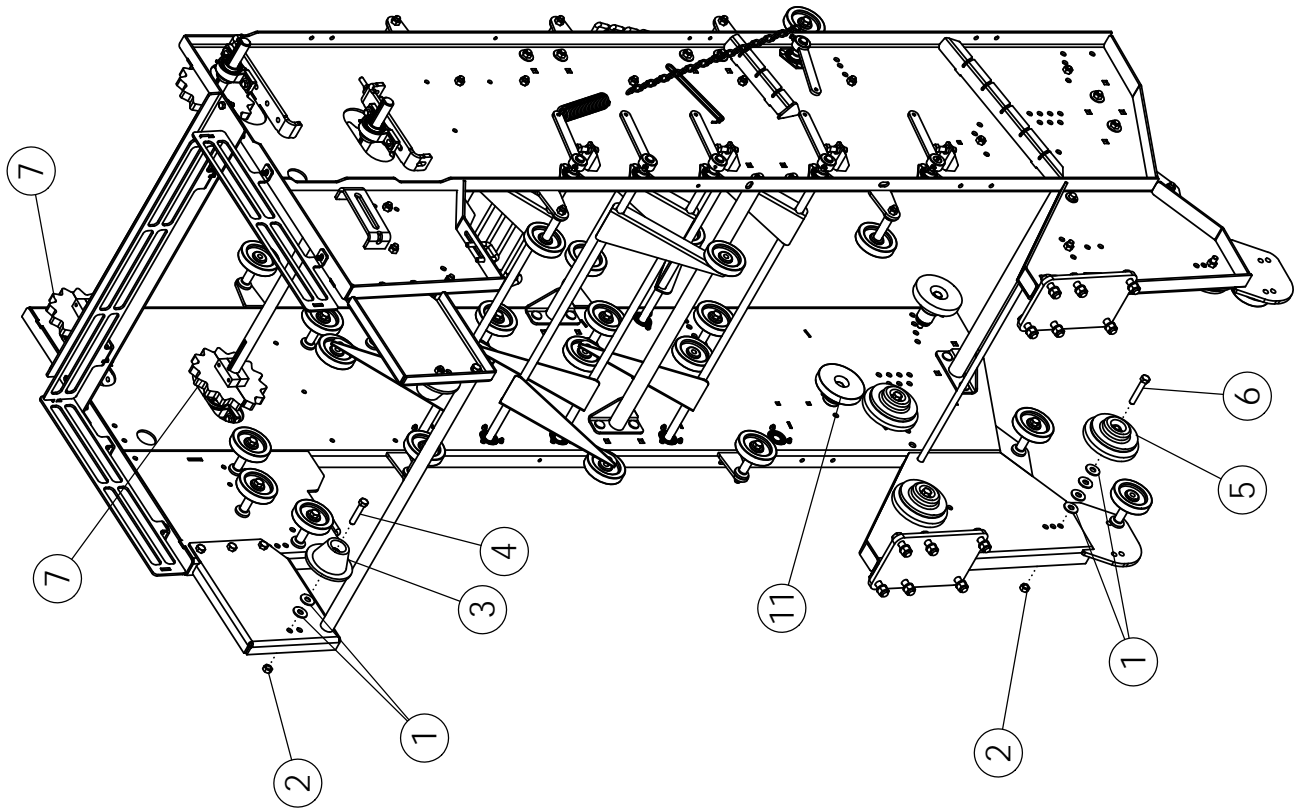
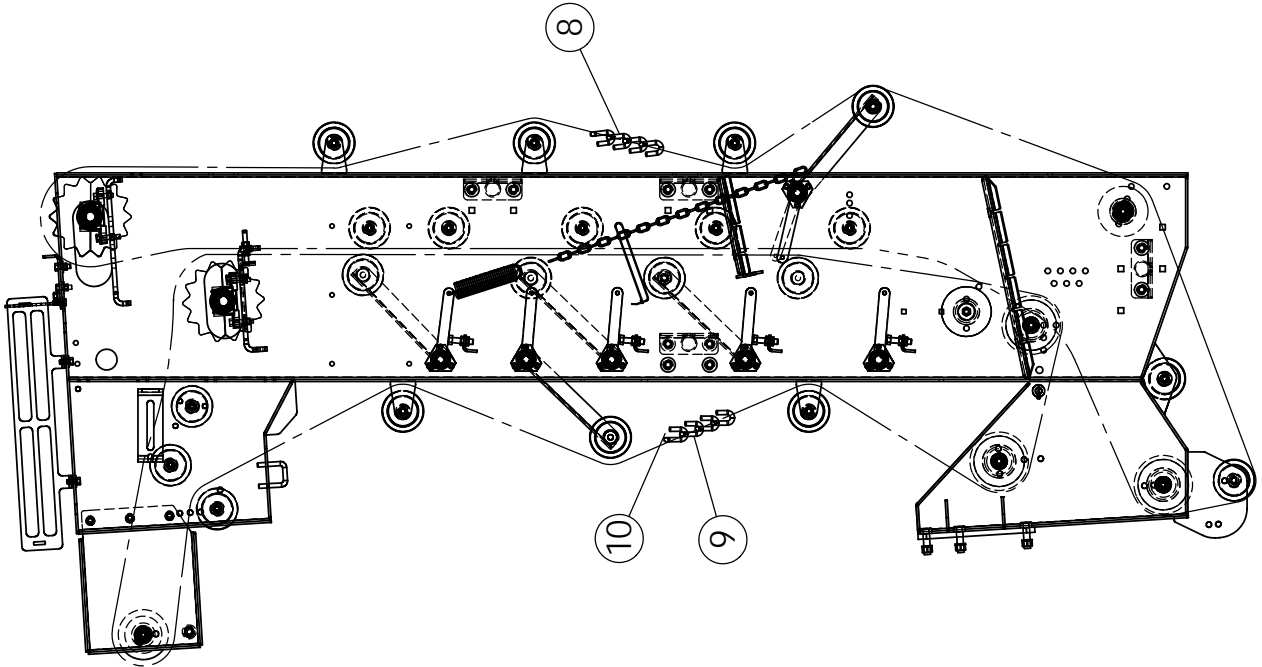


**REAR SCRUB: BELTED CHAIN 50 MM INSIDE
56 MM OUTSIDE W/ URETHANE**

ITEM	PART NO.	DESCRIPTION	QTY
1	68666	SPROCKET-SPLIT 50MM 14T URTHN Ø1.75	2
2	63813	SPROCKET-IDLER 50MM 10T	2
3	62932	PLATE-SHIM .50	10
4	54042	ROLLER-STEP 6"	10
5	1013068	BOLT-HEX: .63 X 6.00 NC GR5 ZP	2
6	1013816	BOLT-HEX: .63 X 5.00 NC GR5 ZP	10
7	1016595	NUT-TOPLOCK: .63 NC GR5 ZP	12
8	53842	BELT-56MM 1/2 X 42 X 156 LPR	1
9	63814	BELT-50MM 1/2 X 42 X 154 LPR	1
10	68667	SPROCKET-56MM 12T URETHANE	2
11	58201	KEY .375 X .375 X 3.000 (NOT SHOWN)	4

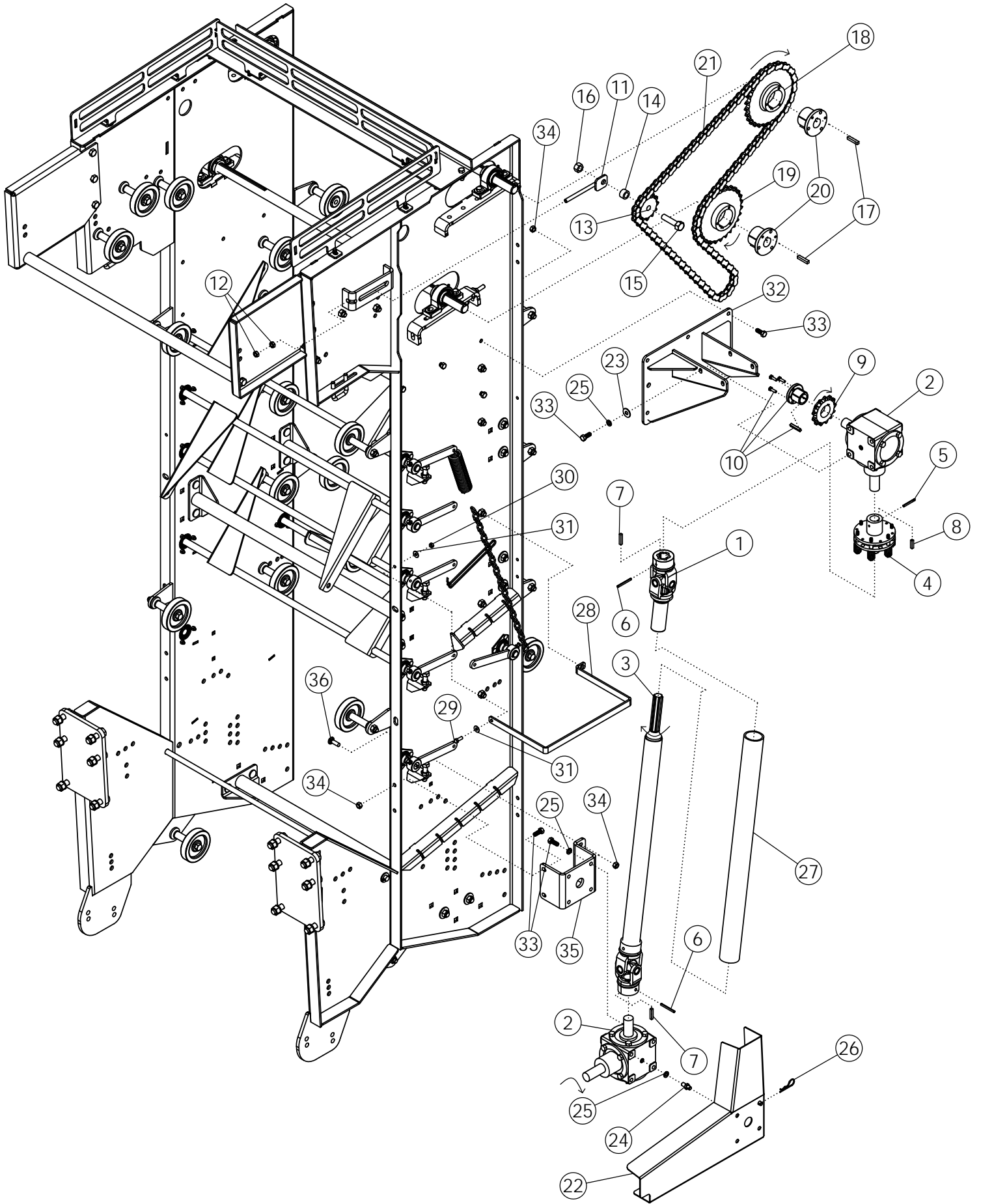
**REAR SCRUB: BELTED CHAIN 56 MM INSIDE
50 MM OUTSIDE**

ITEM	PART NO.	DESCRIPTION	QTY
1	68651	SPROCKET-SPLIT 56MM 12T Ø1.75	2
2	54824	SPROCKET-IDLER 56MM	2
3	62932	PLATE-SHIM .50	8
4	54042	ROLLER-STEP 6"	10
5	1013068	BOLT-HEX: .63 X 6.00 NC GR5 ZP	4
6	1013816	BOLT-HEX: .63 X 5.00 NC GR5 ZP	8
7	1016595	NUT-TOPLOCK: .63 NC GR5 ZP	12
8	63815	BELT-50MM 1/2 X 42 X 175 LPR	1
9	62141	BELT-56MM 1/2 X 42 X 136 LPR	1
10	68657	SPROCKET-SPLIT 50MM 14T Ø1.750	2
11	50152	KEY .375 X .375 X 2.000 (NOT SHOWN)	4



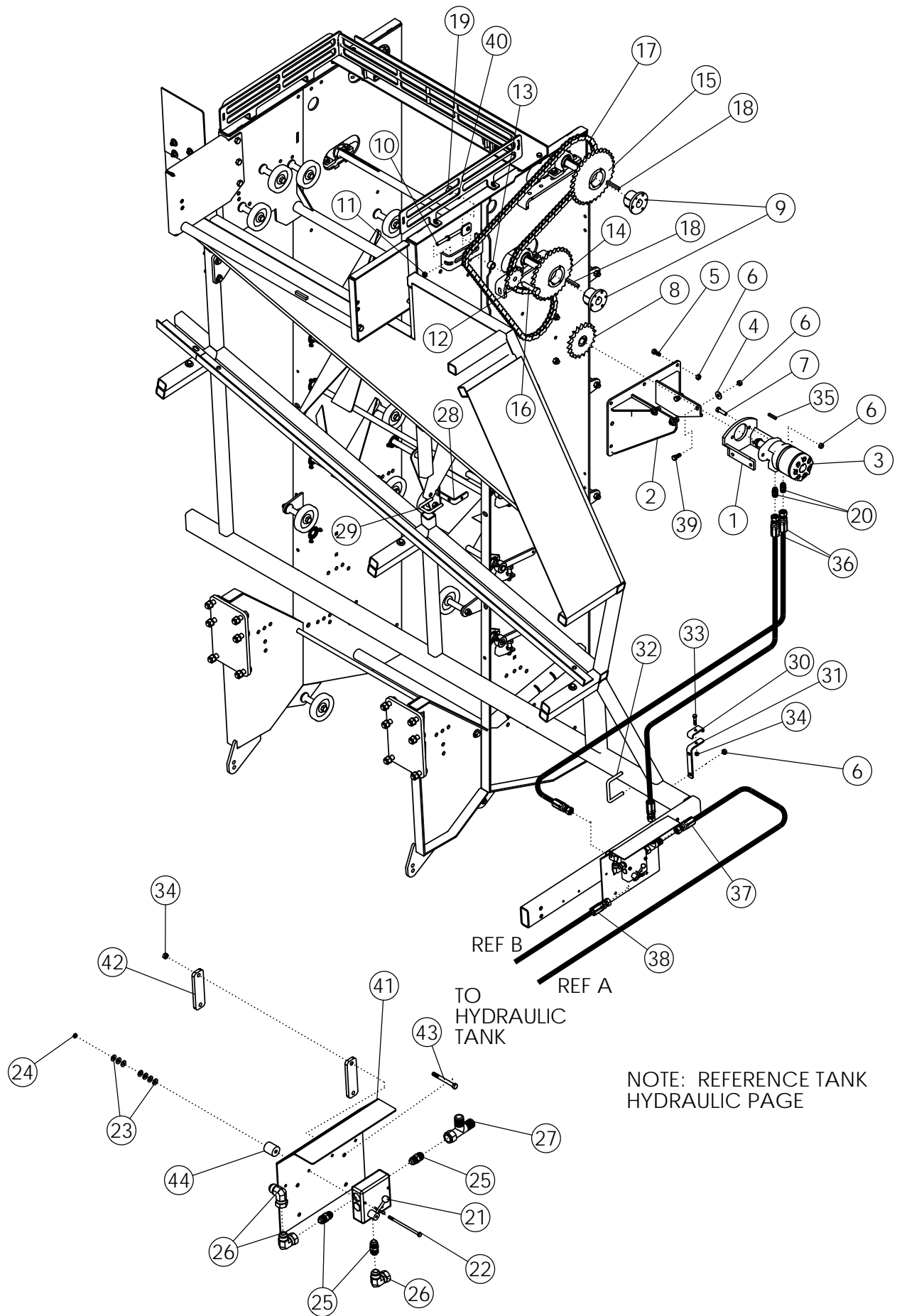
REAR SCRUB: HOOK CHAIN 2.38

ITEM	PART NO.	DESCRIPTION	QTY
1	1013024	WASHER-FLAT: .63 ZP	AR
2	1016595	NUT-TOPLOCK: .63 NC GR5 ZP	12
3	53950	ROLLER-CONE 6"	2
4	1030704	BOLT-HEX: .63 X3.25 NC GR5 ZP	2
5	53951	ROLLER-STEP FLANGE 7"	6
6	59093	BOLT-HEX: .63 X3.75 NC GR5 ZP	10
7	68660	SPROCKET-SPLIT 2.375	4
8	53850	CHAIN 1/2 X 42 X 2.38 X 37 LPR	4
9	53851	CHAIN 1/2 X 42 X 2.38 X 38 LPR	3
10	54829	CHAIN 1/2 X 42 X 2.38 X 13LPR	1
11	54042	ROLLER-STEP 6"	4
12	50152	KEY .375 X .375 X 2.000 (NOT SHOWN)	4
13	51538	DECAL-CHAIN DIRECTION (NOT SHOWN)	2



REAR SCRUB DRIVE: GEARBOX

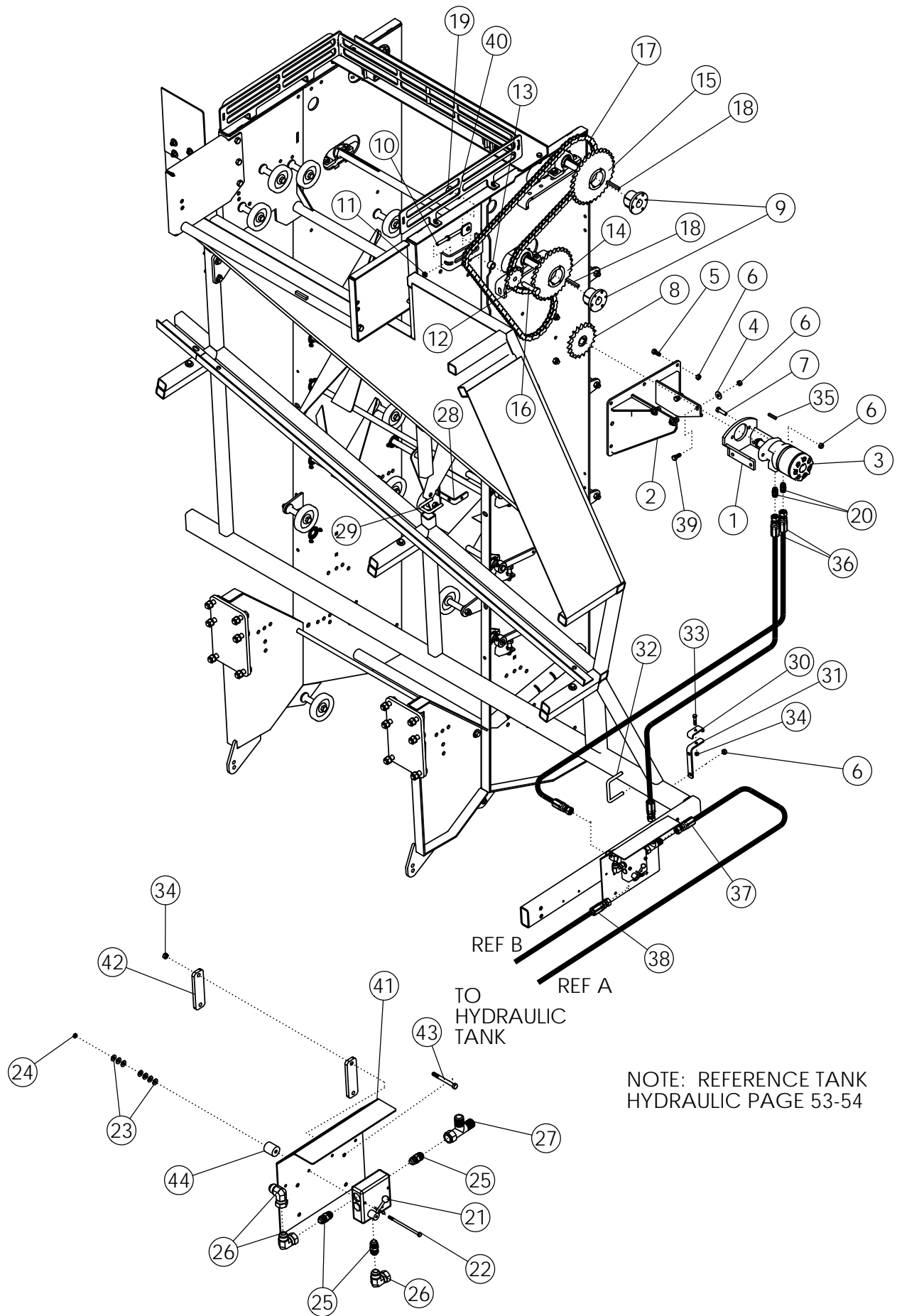
ITEM	PART NO.	DESCRIPTION	QTY
1	57925	COUPLER-DRIVE BLACK	1
2	63848	GEARBOX-PRAIRIE (1:1.35) 6001 BLACK	2
3	57923	SHAFT-DRIVE: 49.25"	1
4	57926	CLUTCH-SLIP	1
5	58290	PIN-ROLL: .25 X 2.25 NP	1
6	58489	PIN-ROLL: .25 X 2.75 NP	2
7	58396	KEY .31 X .31 X 1.75	2
8	58397	KEY .31 X .31 X 1.38	1
9	56339	SPROCKET H80-P13	1
10	57943	HUB P1 1.38	1
11	63876	TENSIONER ZP	1
12	1011591	NUT-JAM: .50 NC ZP	2
13	56334	SPROCKET-IDLER 8012	1
14	58086	SPACER-CHAIN IDLER ZP	1
15	1012059	BOLT-HEX: .75 X 3.00 NC GR5 ZP	1
16	1017000	NUT-TOPLOCK: .75 NC GR5 ZP	1
17	50152	KEY .38 X .38 X 2.00	2
18	57942	SPROCKET H80-Q29	1
19	57941	SPROCKET H80-Q27	1
20	50335	HUB Q1 1.75	2
21	63549	CHAIN-ROLLER 80-1R-110	1
22	57894	WLDMT-SHIELD	1
23	1014443	WASHER-FLAT: .50 ZP	4
24	59106	STUD-SCRUB SHIELD ZP	4
25	1011581	WASHER-LOCK: .50 ZP	8
26	1029164	PIN-HAIR: .19 X 3.00 ZP	4
27	58015	SLEEVE-PLASTIC	1
28	58456	BAR-GUARD	1
29	1011600	BOLT-HEX: .38 X 1.00 NC GR5 ZP	1
30	1016999	NUT-TOPLOCK: .38 NC GR5 ZP	1
31	1011828	WASHER-FLAT: .38 ZP	2
32	62103	WLDMT-GEARBOX MOUNT	1
33	1011606	BOLT-HEX: .50 X 1.25 NC GR5 ZP	15
34	1027461	NUT-TOPLOCK: .50 NC GR5 ZP	9
35	59432	PLATE-GEARBOX MOUNT	1
36	1011660	BOLT-CRG: .50 X 1.50 NC GR5 ZP	2



REAR SCRUB DRIVE: SINGLE MOTOR

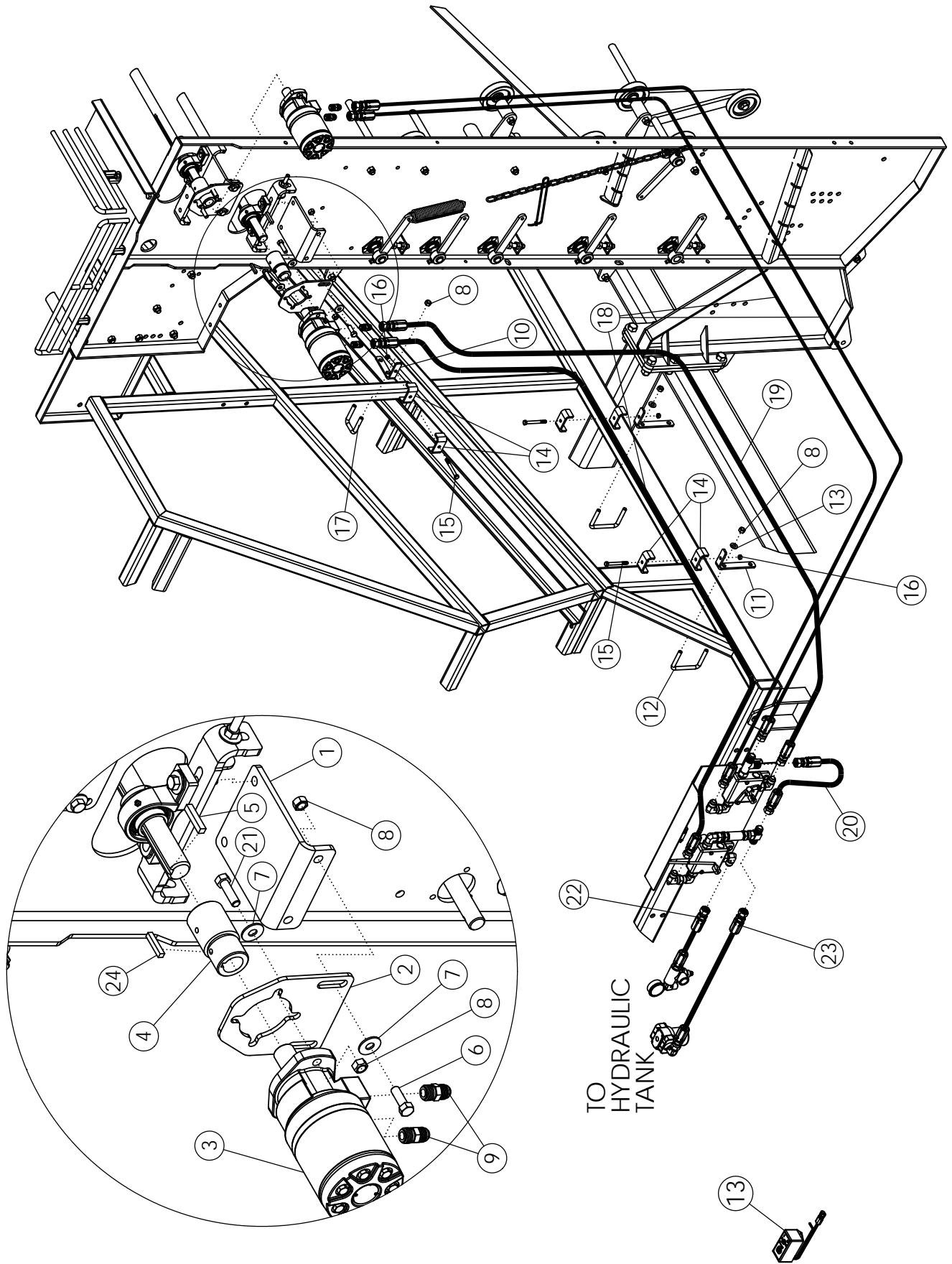
ITEM	PART NO.	DESCRIPTION	QTY
1	58102	WLDMT-MOTOR BRACKET	1
2	62103	WLDMT-GEARBOX MOUNT	1
3	58987	MOTOR-HYDRAULIC 20.6IN ³ /REV	1
	57880	SEAL KIT FOR 58387	
4	1014443	WASHER-FLAT: .50 ZP	4
5	1011606	BOLT-HEX: .50 X 1.25 NC GR5 ZP	5
6	1027461	NUT-TOPLOCK: .50 NC GR5 ZP	17
7	1011608	BOLT-HEX: .50 X 1.75 NC GR5 ZP	2
8	62125	SPROCKET-8019X 1.25 BORE .313 KEY	1
9	50335	HUB Q1 1.75	2
10	63876	TENSIONER ZP	1
11	1011577	NUT-HEX: .50 NC GR2 ZP	2
12	56334	SPROCKET-IDLER 8012	1
13	58086	SPACER-CHAIN IDLER ZP	1
14	59051	SPROCKET H80-Q30	1
15	59052	SPROCKET H80-Q32	1
16	1012059	BOLT- HEX: .75 X 3.00 NC GR5 ZP	1
17	68784	CHAIN-ROLLER 80-1R-114	1
18	50152	KEY .38 X .38 X 2.00	2
19	1011620	NUT-HEX: .75 NC GR2 ZP	1
20	59043	FTG-ADAPTER: 10MB-12MJ	2
21	58985	VALVE-FLOW CONTROL- 3/4" FP	1
	64414	SEAL KIT FOR 58985	
22	1030766	BOLT-HEX: .25 X 4.00 NC GR5 ZP	2
23	1020416	WASHER-FLAT: .25 ZP	14
24	1030946	NUT-TOPLOCK: .25 NC GR5 ZP	2
25	59042	FTG-ADAPTER: 12MP-12MJ	3
26	59041	FTG-ELBOW: 12MJ-12FJX-90	3
27	59888	FTG-TEE: 12MJ-12FJX-12MJ	1
28	59184	BRACKET-HOSE ZP	1
29	65658	U-BOLT: .50 X 3.00 X 2.06 X 3.00	1
30	63753	CLAMP .75 ZP	3
31	59182	BRACKET-HOSE ZP	2
32	54653	U-BOLT: .50 X 3.25 X 4.00 X 3.25	2
33	1011725	BOLT-HEX: .38 X 2.00 NC GR5 ZP	3
34	1016999	NUT-TOPLOCK: .38 NC GR5 ZP	7
35	58396	KEY .313 X .313 X 1.750	1
36	59895	HOSE: .75 X 173 12FJX-12FJX (8R-FRAME)	2
	59036	HOSE: .75 X 152 12FJX-12FJX (6R-FRAME)	
37	59801	HOSE: .75 X 74 12FJX-12FJX	1
38	59035	HOSE: .75 X 66 12FJX-12FJX	1

CONTINUE



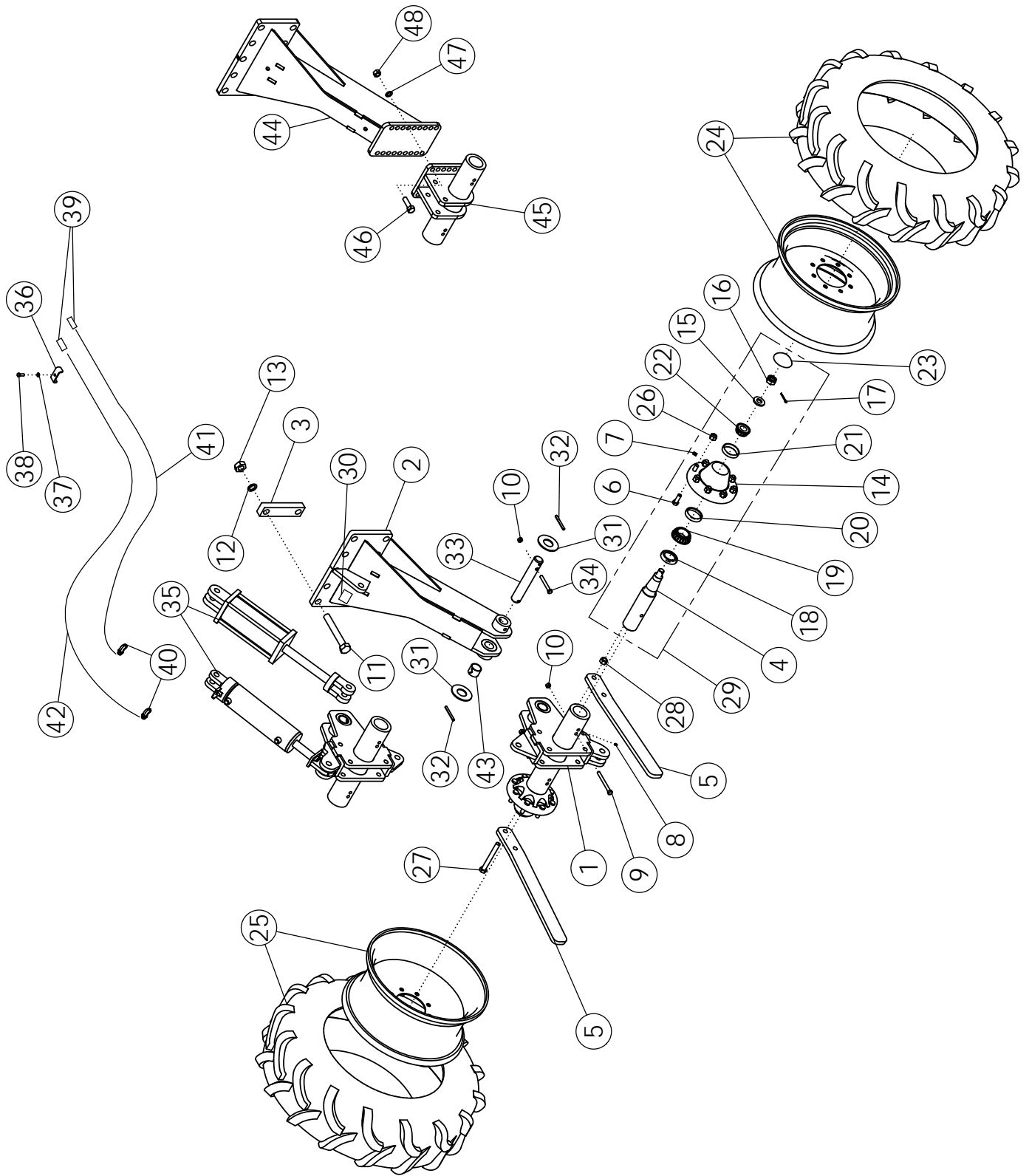
REAR SCRUB DRIVE: SINGLE MOTOR (CONTINUED)

ITEM	PART NO.	DESCRIPTION	QTY
39	1011607	BOLT-HEX: .50 X 1.50 NC GR5 ZP	4
40	1012061	WASHER-LOCK: .75 ZP	1
41	69020	WLDMT-BRACKET FLOW CONTROL	1
42	59881	BRACKET-BOLT PLATE	4
43	58176	BOLT-HEX: .38 X 3.50 NC GR5 ZP	4
44	59463	SPACER ZP	2



REAR SCRUB DRIVE: DUAL MOTOR

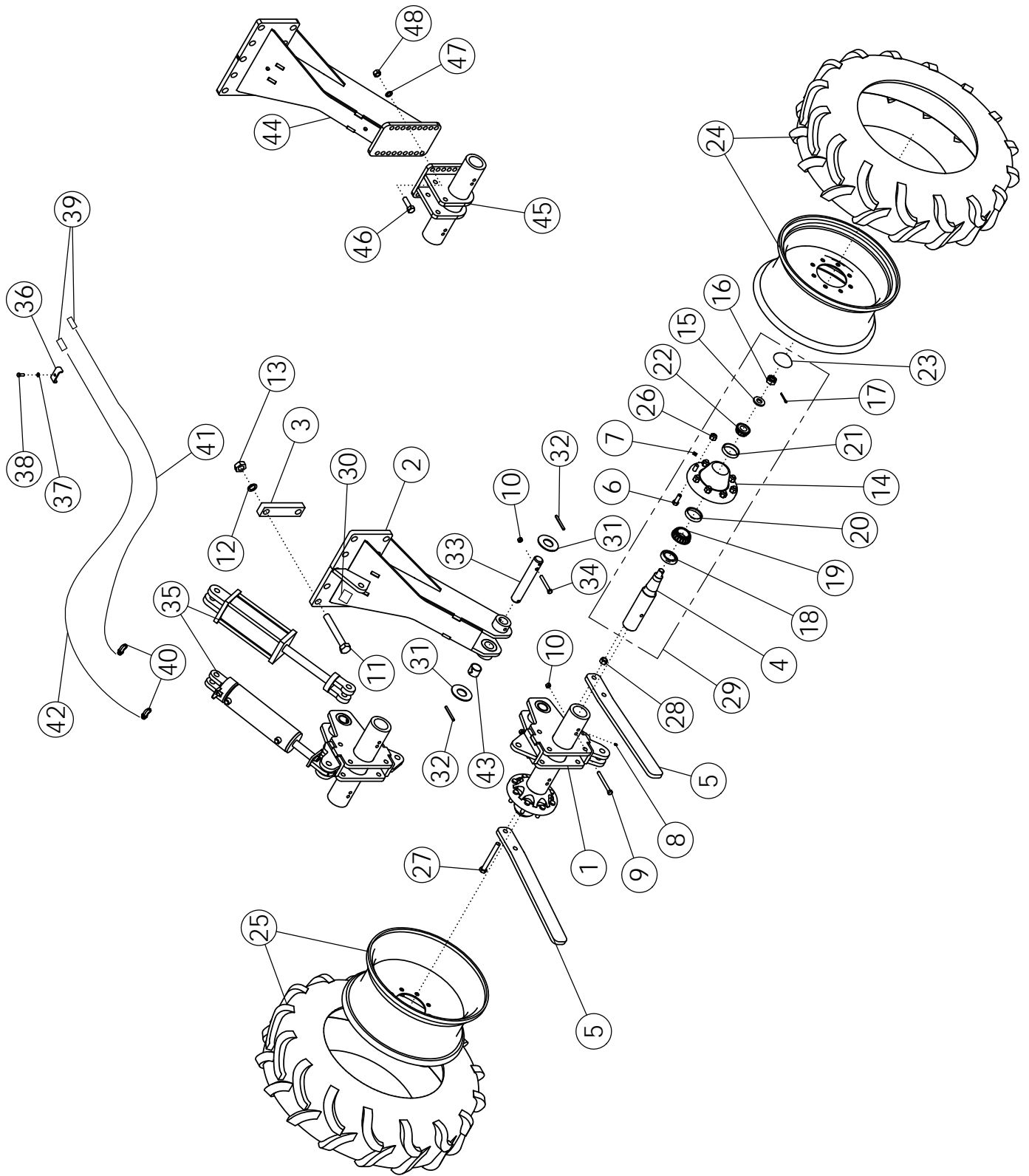
ITEM	PART NO.	DESCRIPTION	QTY
1	68654	PLATE	2
2	57843	PLATE-F.C.	2
3	57686	MOTOR-HYDRAULIC 32.3IN^3/REV	2
	57880	SEAL KIT FOR 57686	
4	68663	COUPLING	2
5	50152	KEY .38 X .38 X 2.00	2
6	1011607	BOLT-HEX: .50 X 1.50 NC GR5 ZP	4
7	1014443	WASHER-FLAT: .50 ZP	8
8	1027461	NUT-TOPLOCK: .50 NC GR5 ZP	14
9	59043	FTG-ADAPTER: 10MB-12MJ	4
10	59184	BRACKET-HOSE ZP	1
11	59182	BRACKET-HOSE ZP	2
12	54653	U-BOLT: .50 X 3.25 X 4.00 X 3.25	2
13	68053	KT-ACTUATOR CONTROL & CABLE	1
14	63753	CLAMP-HOSE 3/4" ZP	6
15	58176	BOLT-HEX: .38 X 3.50 NC GR5 ZP	3
16	1016999	NUT-TOPLOCK: .38 NC GR5 ZP	3
17	65658	U-BOLT: .50 X 3.00 X 2.06 X 3.00	1
18	62214	HOSE: .75 X 166 12FJX-12FJX	3
19	62215	HOSE: .75 X 160 12FJX-12FJX	1
20	63473	HOSE: .75 X 19 12FJX-12FJX	1
21	1011608	BOLT-HEX: .50 X 1.75 NC GR5 ZP	4
22	59035	HOSE: .75 X 66 12FJX-12FJX	1
23	59801	HOSE: .75 X 74 12FJX-12FJX	1
24	58396	KEY .313 X .313 X 1.750	2



STANDARD REAR STRUTS 11.2 X 24

ITEM	PART NO.	DESCRIPTION	QTY
1	300135	WLDMT-MOUNT ADJ 11.2-24 UNIVERSAL	1
2	69204	WLDMT-STRUT LH ADJ 11.2 X 24	1
3	64143	BAR - BOLTING	4
4	52954*	SPINDLE-STANDARD	1
5	59045	SCRAPER	2
6	54393	7600-6 STUD-HUB BOLT	8
7	301490	SELF TAPPING GREASE FITTING	1
8	1011748	ZERK-GREASE: .25 UNF STRAIGHT	1
9	1011618	BOLT-HEX: .50 X 5.00 NC GR5 ZP	2
10	1027461	NUT-TOPLOCK: .50 NC GR5 ZP	10
11	64145	BOLT-HEX: 1.13 X 8.00 NC GR8 ZP	8
12	64147	WASHER-LOCK: 1.13 ZP	8
13	64146	NUT-HEX: 1.13 NC GR2 ZP	8
14	53623*	HUB-WHEEL 8 BOLT	1
15	1030728*	WASHER-SPINDLE: 1.06ID X 2.13OD	1
16	1030726*	NUT-SPINDLE: 1.00 NF NP	1
17	1030797*	PIN-COTTER: .19 X 1.75 NP	1
18	53619*	SEAL	1
19	53621*	BEARING CONE-INNER	1
20	53622*	BEARING CUP-INNER	1
21	52243*	BEARING CUP-OUTER	1
22	53620*	BEARING CONE-OUTER	1
23	53624*	HUB CAP	1
24	56986	TIRE-MNTD: 11.2-24 10 PLY R1 RH	1
	56903	WHEEL W10 X 24 8 BOLT (1.88 POS)	
	56976	TIRE 11.2-24 10 PLY R1	
	68973	TUBE-REPAIR 11.2-24	
25	63992	TIRE-MNTD: 11.2-24 10 PLY R1 LH	1
	56903	WHEEL W10 X 24 8 BOLT (1.88 POS)	
	56976	TIRE 11.2-24 10 PLY R1	
	68973	TUBE-REPAIR 11.2-24	AR
26	53625*	NUT-WHEEL: .63-18NF	8
27	1016718	BOLT-HEX: .75 X 6.50 NC GR5 ZP	2
28	1017000	NUT-TOPLOCK: .75 NC GR5 ZP	2
29	53167	ASSY-HUB & SPINDLE 8-BOLT	2
30	52248	DECAL-CAUTION	1
31	73368	WASHER-FLAT: 1.75 ZP	2
32	73369	ROLL PIN: .38 X 3.50 ZP	2
33	301238	PIN-STRUT REAR ADJ	1
34	1032524	BOLT-HEX: .50 X 4.00 NC GR5 ZP	1

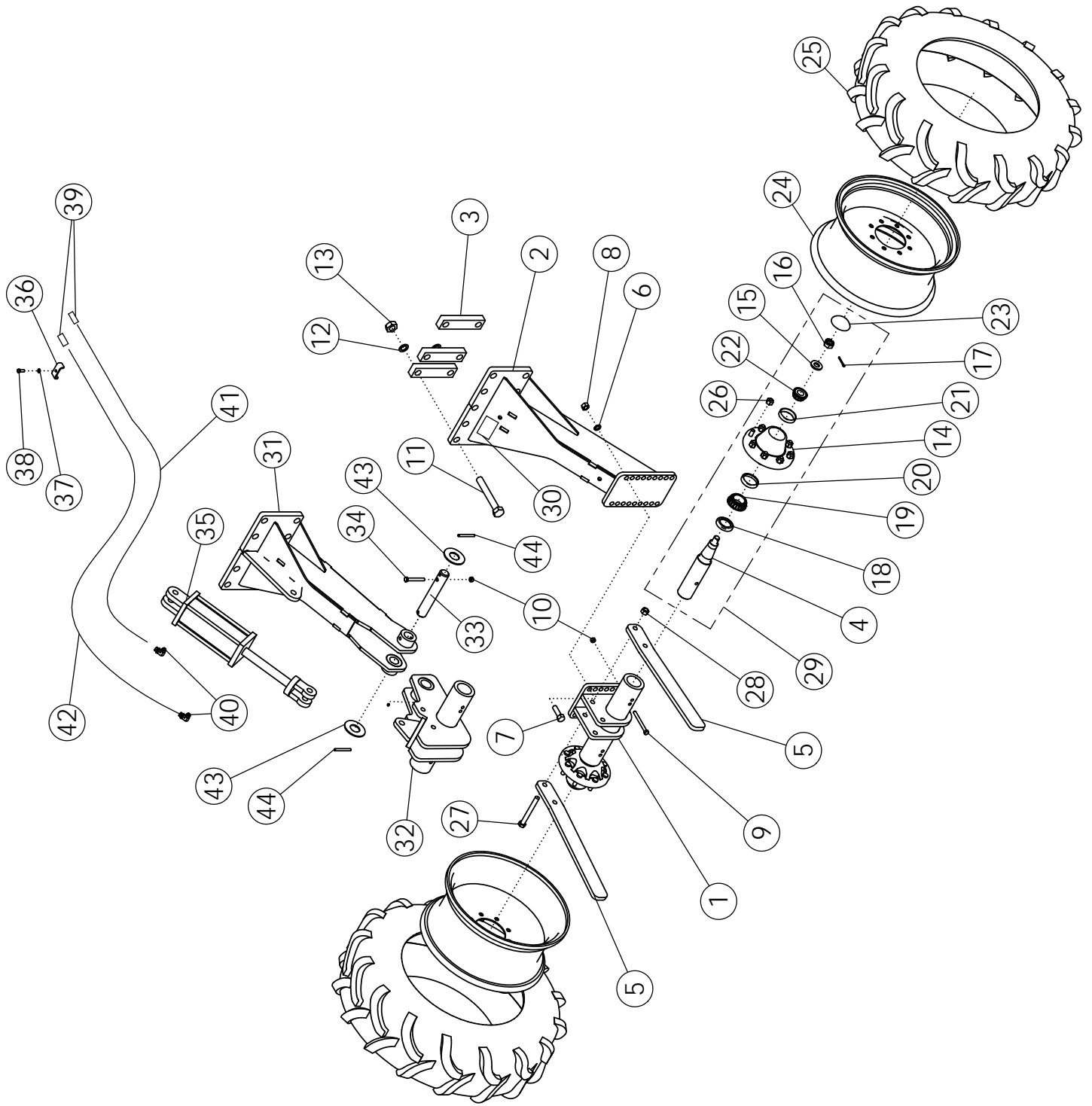
CONTINUE



STANDARD REAR STRUTS (CONTINUED)

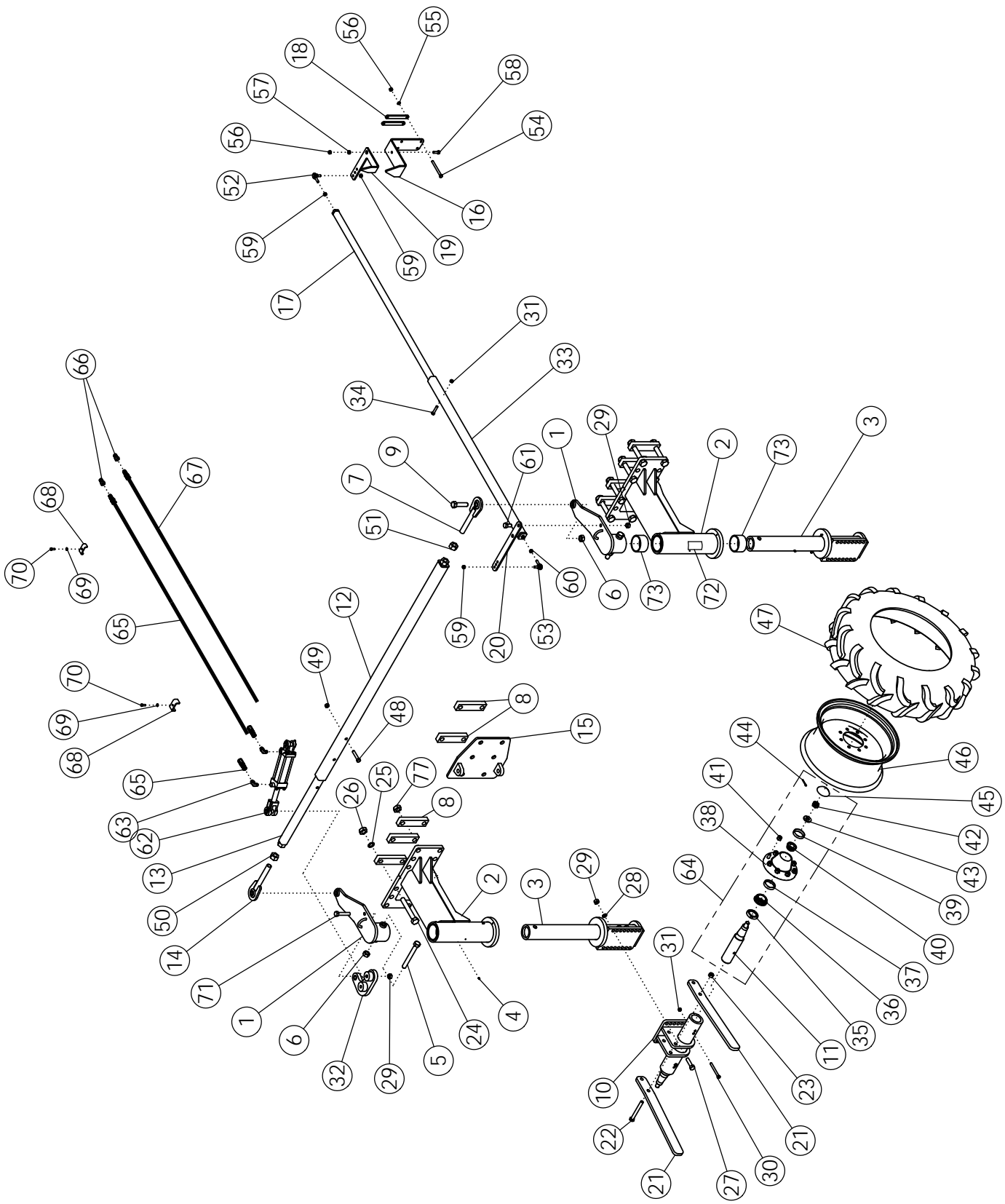
ITEM	PART NO.	DESCRIPTION	QTY
35	72950	CYLINDER-HYDRAULIC 4 X 10	1
	301315	SEAL KT-CYL 4 X 8, 4 X 10 3000PSI UNIVERSAL	
	73421	CYLINDER-HYD 4 X 10-3000-0° ADC	
	73629	SEAL KIT FOR 73421	
36	50714	CLAMP .50 ZP	6
37	1011586	WASHER-LOCK: .38 ZP	6
38	1011600	BOLT-HEX: .38 X 1.00 NC GR5 ZP	6
39	36290	PIONEER TIP 8010-15P (#8 ORB)	2
40	58560	FTG-ELBOW: 8MB-8MJ-90	2
41	66596	HOSE: .50 X 320 8FJX-8MB	1
42	67670	HOSE: .50 X 312 8MB-8FJX	1
43	301237	BUSHING-SPRING 2.00 X 1.75 X 1.50	2
44	69206	WLDMT-STRUT RH STD 11.2-24	1
45	57233	WLDMT-MOUNT STANDARD	1
46	1016598	BOLT-HEX: .75 X 2.50 NC GR5 ZP	6
47	1012061	WASHER-LOCK: .75 ZP	6
48	1011620	NUT-HEX: .75 NC GR2 ZP	6

* Items are included in Item 29



STANDARD REAR STRUTS 14.9 X 30

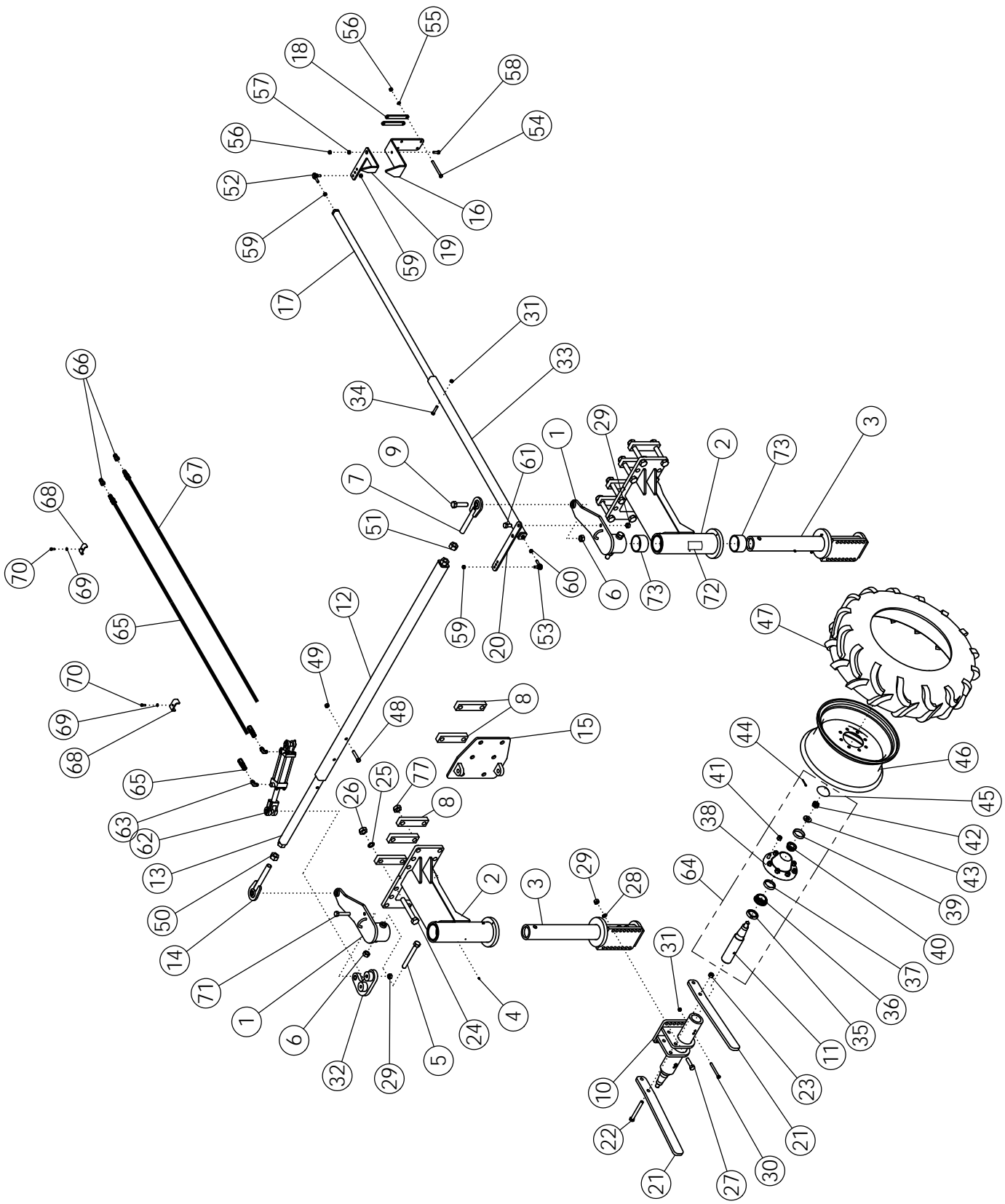
ITEM	PART NO.	DESCRIPTION	QTY
1	57233	WLDMT - MOUNT STANDARD	1
2	69809	WLDMT-STRUT STD RH	1
3	64143	BAR - BOLTING	4
4	52954*	SPINDLE-STANDARD	1
5	59045	SCRAPER	2
6	1012061	WASHER-LOCK: .75 ZP	6
7	1016598	BOLT-HEX: .75 X 2.50 NC GR5 ZP	6
8	1011620	NUT-HEX: .75 NC	6
9	1011618	BOLT-HEX: .50 X 5.00 NC GR5 ZP	2
10	1027461	NUT-TOPLOCK: .50 NC GR5 ZP	2
11	64145	BOLT-HEX: 1.13 X 8.00 NC GR8 ZP	8
12	64147	WASHER-LOCK: 1.13 ZP	8
13	64146	NUT-HEX: 1.13 NC GR2 ZP	8
14	53623*	HUB-WHEEL 8 BOLT	1
15	1030728*	WASHER-SPINDLE: 1.06ID X 2.13OD	1
16	1030726*	NUT-SPINDLE: 1.00 NF NP	1
17	1030797*	PIN-COTTER: .19 X 1.75 NP	1
18	53619*	SEAL	1
19	53621*	BEARING CONE-INNER	1
20	53622*	BEARING CUP-INNER	1
21	52243*	BEARING CUP-OUTER	1
22	53620*	BEARING CONE-OUTER	1
23	53624*	HUB CAP	1
24	69921	WHEEL W13 X 30 8 BOLT (1.88 POS)	2
25	69922	TIRE 14.9-30 10 PLY R1	2
26	53625*	NUT-WHEEL: .63-18NF	8
27	1016718	BOLT-HEX: .75 X 6.50 NC GR5 ZP	2
28	1017000	NUT-TOPLOCK: .75 NC GR5 ZP	2
29	53167	ASSY-HUB & SPINDLE 8-BOLT	2
30	52248	DECAL-CAUTION	1
31	69815	WLDMT-STRUT LH ADJ 14.9 X 30	1
32	69930	WLDMT-MOUNT ADJ STRUT 14.9 X 30	1
33	73367	PIN-REAR STRUT ADJ	1
34	1032524	BOLT-KHEX: .50 X 4.00 NC GR8 NP	1
35	72950	CYLINDER-HYDRAULIC 4 X 10	1
	301315	SEAL KT-CYL 4 X 8, 4 X 10 3000PSI UNIVERSAL	
36	50714	CLAMP .50 ZP	6
37	1011586	WASHER-LOCK: .38 ZP	6
38	1011600	BOLT-HEX: .38 X 1.00 NC GR5 ZP	6
39	36290	PIONEER TIP 8010-15P (#8 ORB)	2
40	58560	FTG-ELBOW: 8MB-8MJ-90	2
41	67670	HOSE: .50 X 312 8MB-8FJX	1
42	66596	HOSE: .50 X 320 8FJX-8MB	1
43	73368	WASHER-FLAT: 1.75 ZP	2
44	73369	PIN-ROLL: .38 X 3.50 ZP	2



STEERABLE REAR STRUTS

ITEM	PART NO.	DESCRIPTION	QTY
1	58240	WLDMT - STEERING ARM	2
2	69415	WLDMT-STEERING HOUSING	2
3	58238	WLDMT - KING PIN	2
4	1011748	ZERK - GREASE	10
5	1030725	BOLT-HEX: 1.00 X 8.00 NC GR8 ZP	2
6	1016969	NUT-TOPLOCK: 1.00 NC GR5 ZP	4
7	58186	WLDMT-TIE ROD RH	1
8	64143	BAR - BOLTING	6
9	1032276	BOLT-HEX: 1.00 X 3.50 NC GR8 ZP	2
10	68712	WLDMT - MOUNT STANDARD & 24"	2
11	52954*	SPINDLE-STANDARD	4
12	58374	WLDMT-TIE ROD EXTENSION	1
13	58341	WLDMT-TIE ROD	1
14	58203	WLDMT-TIE ROD LH	1
15	69418	WLDMT-CYLINDER MOUNT STEERABLE	1
16	53278	MOUNT-INDICATOR	1
17	59492	WLDMT-TIE ROD	1
18	56809	BAR-BOLTING	2
19	58348	INDICATOR LH	1
	68131	INDICATOR RH	1
20	64980	ARM-STEERING INDICATOR	1
21	59045	SCRAPER	4
22	1016718	BOLT-HEX: .75 X 6.50 NC GR5 ZP	4
23	1017000	NUT-TOPLOCK: .75 NC GR5 ZP	4
24	64145	BOLT-HEX: 1.13 X 8.00 NC GR8 ZP	20
25	64147	WASHER-LOCK: 1.13 ZP	20
26	64146	NUT-HEX: 1.13 NC GR5 ZP	20
27	1012059	BOLT-HEX: .75 X 3.00 NC GR5 ZP	12
28	1012061	WASHER-LOCK: .75 ZP	12
29	1011620	NUT-HEX: .750 NC	16
30	1011618	BOLT-HEX: .50 X 5.00 NC GR5 ZP	4
31	1027461	NUT-TOPLOCK: .50 NC GR5 ZP	5
32	69149	PLATE	1
33	59493	WLDMT-TIE ROD EXTENSION	1
34	1011610	BOLT-HEX: .50 X 2.50 NC GR5 ZP	1
35	53619*	SEAL	4
36	53621*	BEARING CONE-INNER	4
37	53622*	BEARING CUP-INNER	4
38	53623*	HUB-WHEEL 8 BOLT	4
39	52243*	BEARING CUP-OUTER	4
40	53620*	BEARING CONE-OUTER	4

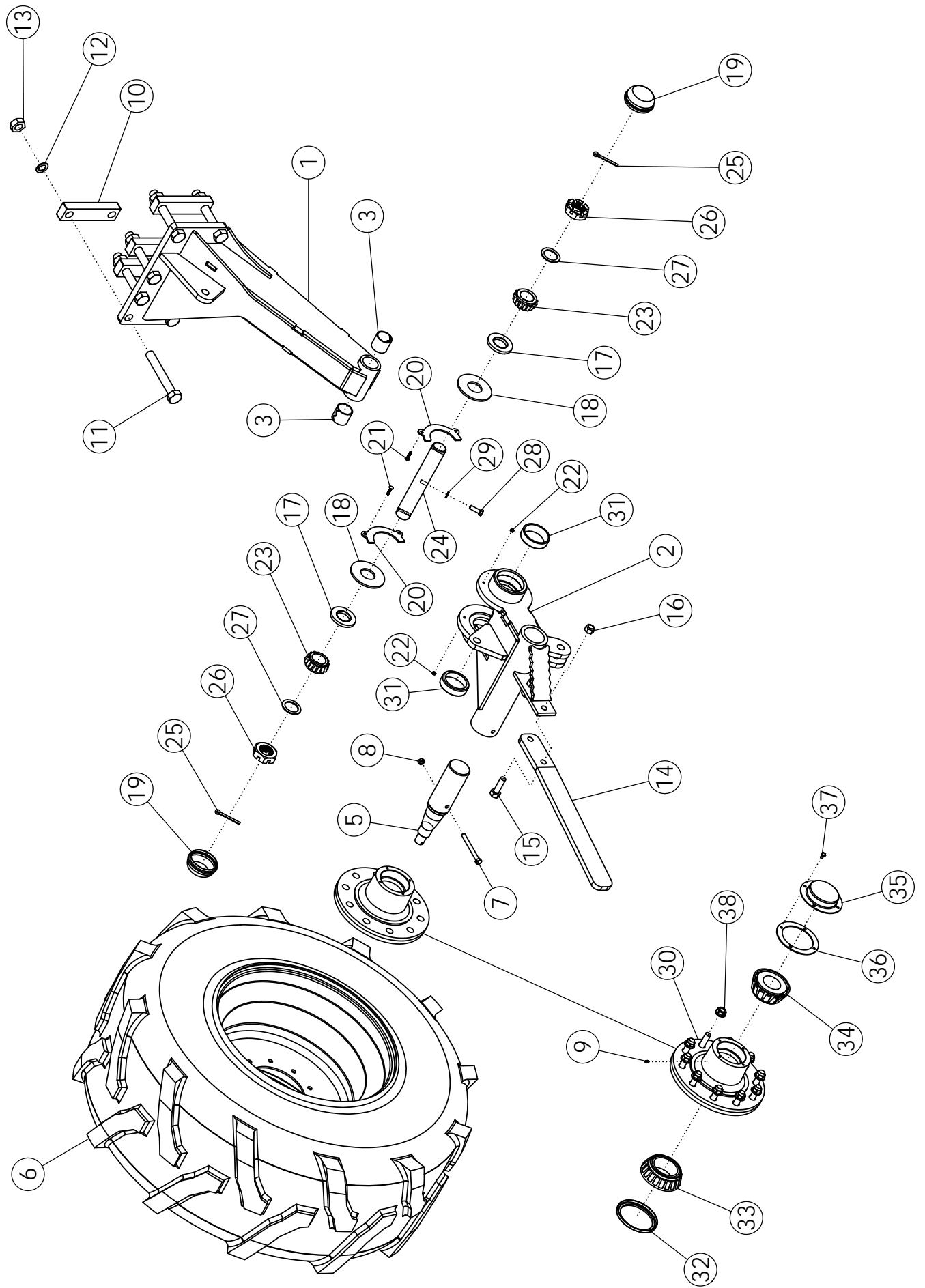
CONTINUED



STEERABLE REAR STRUTS (CONTINUED)

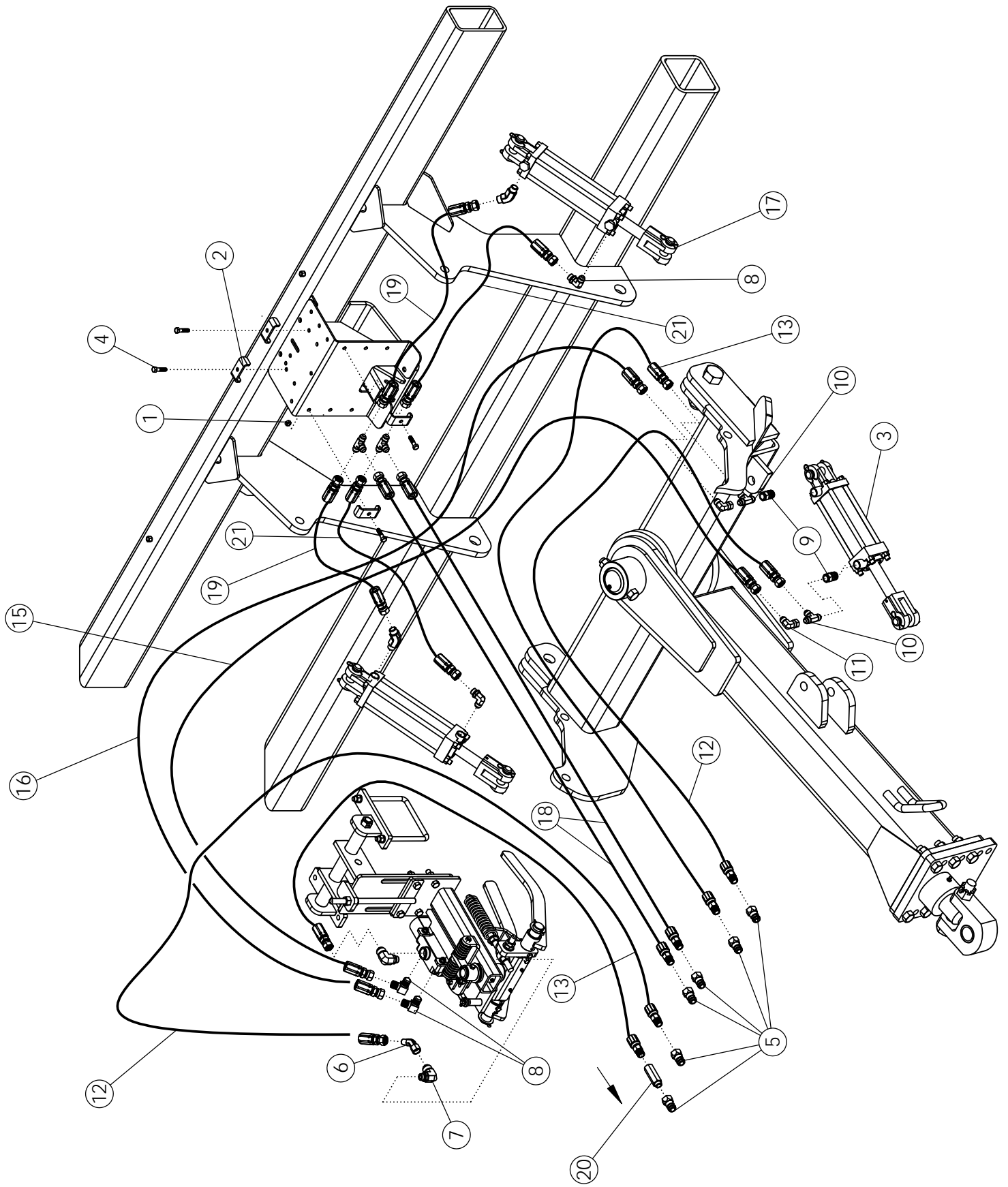
ITEM	PART NO.	DESCRIPTION	QTY
41	53625*	NUT-WHEEL: .63-18NF	32
42	1030726*	NUT-SPINDLE: 1.00 NF NP	4
43	1030728*	WASHER-SPINDLE: 1.06ID X 2.13OD	4
44	1030797*	PIN-COTTER: .19 X 1.75 NP	4
45	53624*	HUB CAP	4
46	56903	WHEEL W10 X 24 8 BOLT (1.875 POS)	4
47	56976	TIRE 11.2-24 10 PLY R1	4
	68973	TUBE-REPAIR 11.2-24 (NOT SHOWN)	AR
48	1030704	BOLT-HEX: .63 X 3.25 NC GR5 ZP	1
49	1011578	NUT-HEX: .63 NC GR2 ZP	1
50	1030729	NUT-HEX: 1.25 NC GR2 ZP LH	1
51	1011621	NUT-HEX: 1.25 NC GR2 ZP	1
52	58350	BALL JOINT ROD END 1/2-20NF RH	1
53	58351	BALL JOINT ROD END 1/2-20NF LH	1
54	1016660	BOLT-HEX: .50 X 5.50 NC GR5 ZP	4
55	1011581	WASHER-LOCK: .50 ZP	4
56	1011577	NUT-HEX: .50 NC GR2 ZP	5
57	56884	BUSHING-INDICATOR REAR STRUT	1
58	1011607	BOLT-HEX: .50 X 1.50 NC GR5 ZP	1
59	58355	NUT-HEX: .50 NF GR5 ZP RH	3
60	58366	NUT-HEX: .50 NF GR5 ZP LH	1
61	58367	BOLT-HEX: .75 X 1.50 NC GR5 ZP	2
62	58890	CYLINDER HYDRAULIC 3 X 8	1
	301314	SEAL KIT FOR 58890 UNIVERSAL	
63	58560	FTG-ELBOW: 8MB-8MJ-90	2
64	53167	ASSY-HUB & SPINDLE 8 BOLT	2
65	300029	HOSE: .50 X 276 8MB-8FJX	1
66	36290	PIONEER TIP 8010-15P (#8 ORB)	2
67	66604	HOSE: .50 X 290 8FJX-8MB	1
68	50714	CLAMP 1/2" ZP	4
69	1011586	WASHER-LOCK: .38 ZP	4
70	1011600	BOLT-HEX: .38 X 1.00 NC GR5 ZP	4
71	1011625	BOLT-HEX: .75 X 4.00 NC GR5 ZP	2
72	52248	DECAL CAUTION	1
73	59205	BUSHING-BORED 4.5 X 4.025	4

* Items are included in Item 64



REAR STRUT STD ADJ 23.5/55-26

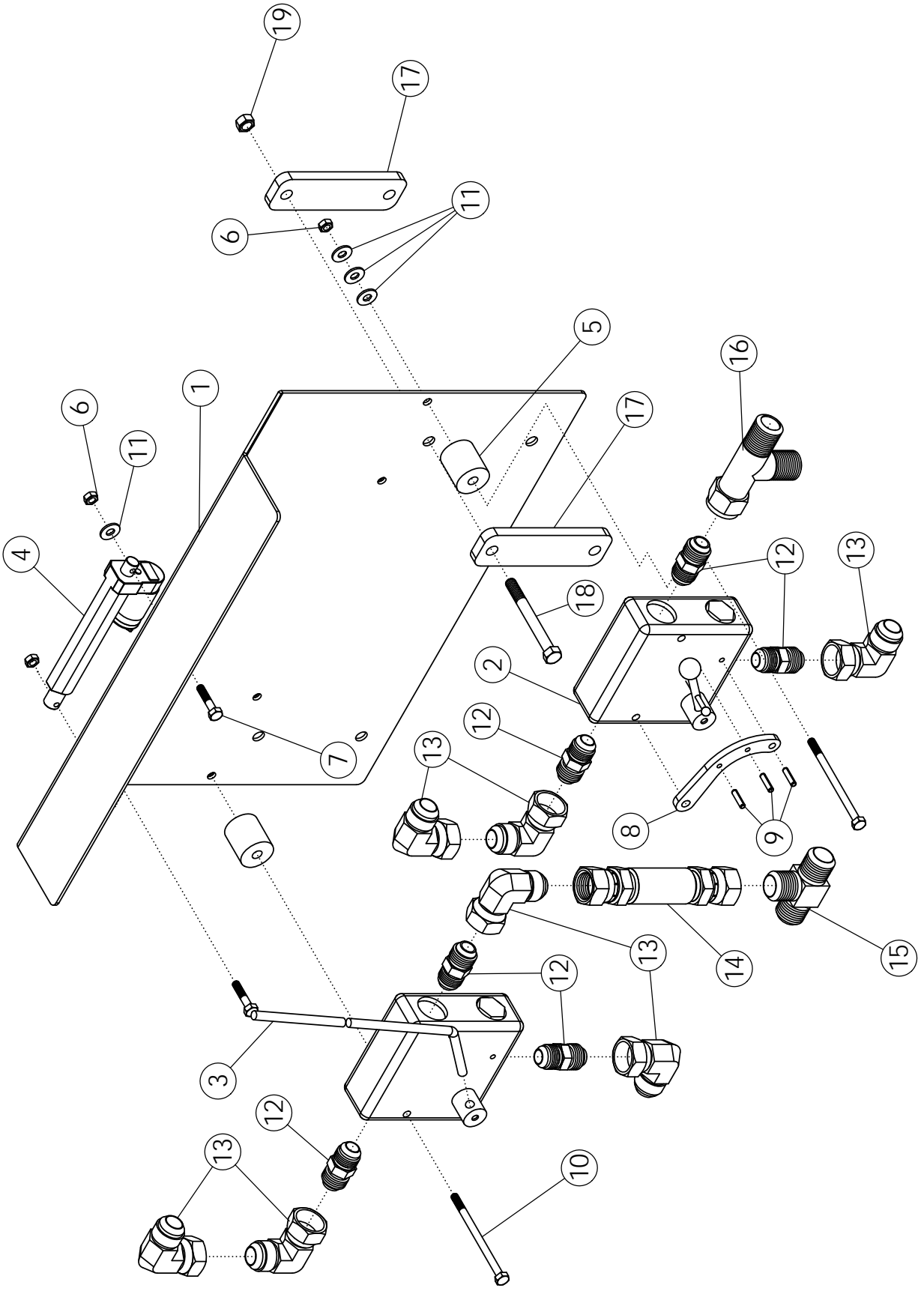
ITEM	PART NO.	DESCRIPTION	QTY
1	73445	WLDMT-STRUT LH UPPER 23.5	1
	73469	WLDMT-STRUT RH UPPER 23.5 (NOT SHOWN)	1
2	301807	ASSY-STRUT LH LOWER W/CUPS PAINTED	1
	301808	ASSY-STRUT RH LOWER W/CUPS PAINTED (NS)	1
3	73466	BUSHING-SPRING 2.25 X 2.0 X 2.0 L (REF)	2
4	73369	PIN-ROLL: .38 X 3.50 ZP	1
5	35519-1	ASSY-SPINDLE: 3.13 X 14.5 CRS	1
6	35343	ASSY-LH TIRE & WHEEL 23.5/55-26	1
	35344	ASSY-RH TIRE & WHEEL 23.5/55-26 (NOT SHOWN)	1
	35345	TIRE 23.5/55-26	1
	35346	WHEEL 26X20 WIDE 10 BOLT (SILVER)	1
7	1011618	BOLT-HEX: .50 X 5.00 NC GR5 ZP	1
8	1027461	NUT-TOPLOCK: .50 NC GR5 ZP	1
9	1011748	ZERK - GREASE	2
10	64143	BAR - BOLTING	4
11	64145	BOLT-HEX: 1.125 X 8.00 NC GR8 ZP	8
12	64147	WASHER-LOCK: 1.125 ZP	8
13	64146	NUT-HEX: 1.125 NC GR2 ZP	4
14	59045	SCRAPER	1
15	1016598	BOLT- .75 X 2.50 NC GR5 ZP	2
16	1017000	NUT-TOPLOCK: .75 NC GR5 ZP	2
17	301683	SEAL-SINGLE TIRE STRUT	2
18	301677	SEAL CAP 8R LOWER STRUT 23.5 ADC	2
19	301672	HUB CAP	2
20	301803	PLATE-SEAL CAP CLAMP	2
21	301804	BOLT-CRG: .25 X 1.25 NC GR5 ZP	4
22	1030946	NUT-TOPLOCK: .25 NC GR5 ZP	4
23	301673	BEARING CUP-INNER (TIMKEN 529)	2
24	301678	PIN-STRUT REAR ADJ 23.5 ADC W/BEARINGS HARDI	1
25	301682	PIN-COTTER: .313 X 3.5 ZP	2
26	301685	NUT-HEX: SLOT 3.00 UN GR2 NP	2
27	301679	WASHER-FLAT: 2.00 X 2.75 X .125	2
28	1011607	BOLT-HEX: .50 X 1.50 NC GR5 ZP	1
29	1011581	WASHER-LOCK: .50 ZP	1
30	35519-2	ASSY-HUB 10 BOLT-11.25 BC-12000#	1
31	301674	BEARING CUP-OUTER (TIMKEN 520X)	2
32	320143	SEAL- OIL	1
33	320144	BEARING-CONE OUTER	1
34	320145	BEARING-CONE INNER	1
35	320146	CAP-HUB	1
36	320148	GASKET-CAP HUB	1
37	1011596	BOLT-HEX: .31 X .50 NC GR5 ZP	4
38	320147	NUT-WHEEL	10



ROW FINDER AND HITCH HYDRAULICS

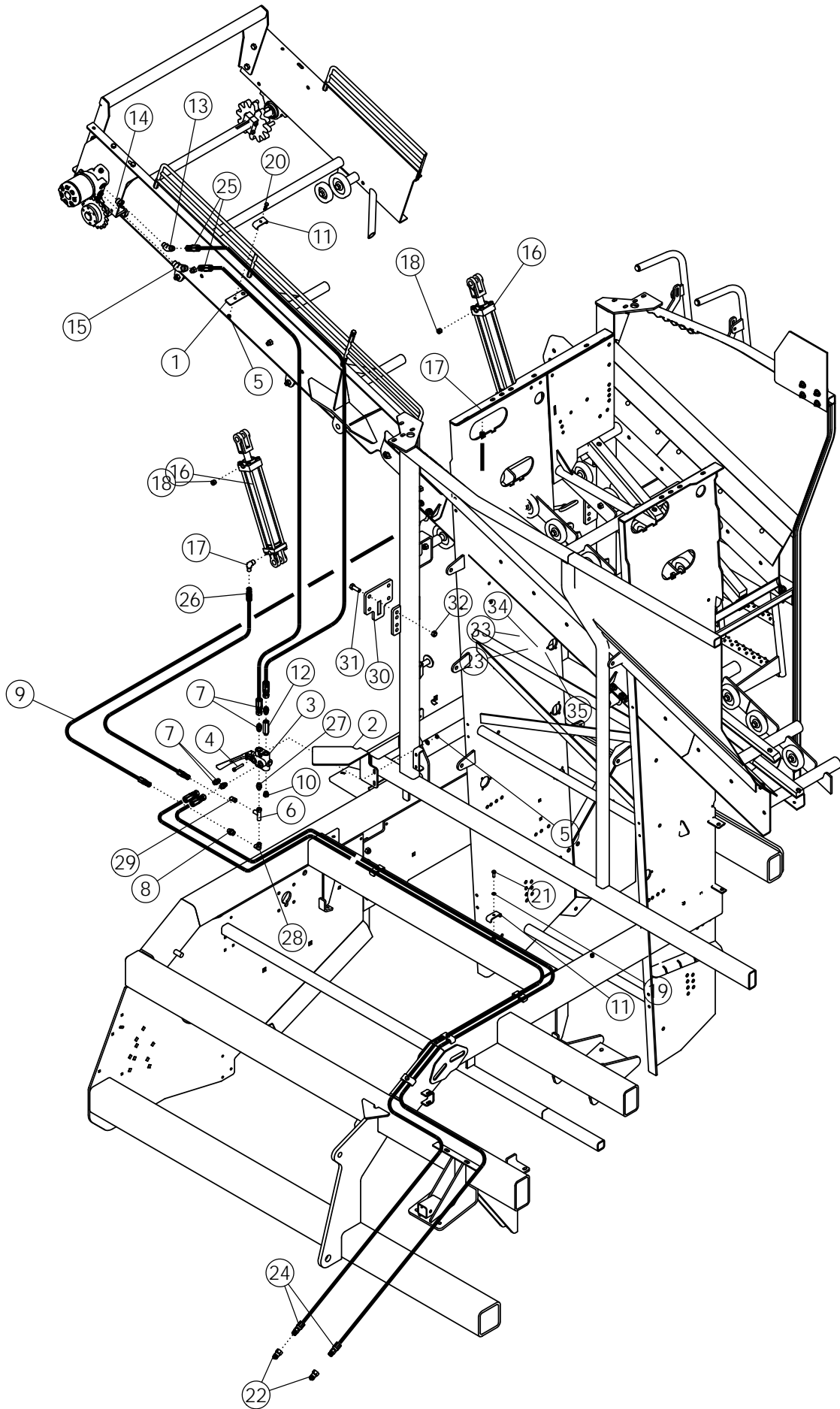
ITEM	PART NO.	DESCRIPTION	QTY
1	1016999	NUT-TOPLOCK: .38 NC GR5 ZP	6
2	50714	CLAMP .50 ZP	6
3	58891	CYLINDER-HYDRAULIC 4 X 8" 3000	1
	301315	SEAL KIT FOR 58991 UNIVERSAL	
4	1011602	BOLT-HEX: .38 X 1.50 NC GR5 ZP	6
5	36290	PIONEER TIP 8010-15P (#8 ORB)	6
6	57663	FTG-ELBOW: 8MJ-8FJX-45	1
7	65901	FTG-ELBOW: 10MB-8MJ-90	2
8	58560	FTG-ELBOW: 8MB-8MJ-90	4
9	56941	FTG-ADAPTER: 8MB-8FJX	2
10	57667	FTG-TEE: 8MJ-8MJ-8MJ	4
11	57668	FTG-ELBOW: 8MJ-8FJX 90	2
12	300037	HOSE: .50 X 153 8MB-8FJX	2
13	300038	HOSE: .50 X 150 8MB-8FJX	2
14	58515	FTG-ELBOW: 8MB-8MJ-45	2
15	57672	HOSE: .50 X 098 8FJX-8FJX	1
16	57673	HOSE: .50 X 096 8FJX-8FJX	1
17	62082	CYLINDER-HYDRAULIC 4 X 10" 3000	2
	301315	SEAL KIT FOR 62082 UNIVERSAL	
18	301735	HOSE: .50 X 112 8MB-8FJX	2
19	57676	HOSE: .50 X 031 8FJX-8FJX (6R/8R)	2
	1015221	HOSE: .50 X 040 8FJX-8FJX(12R)	
20	300070	CHECK VALVE 8MB-8FB FLOW F-->M (FC-08R)	1
21	57677	HOSE: .50 X 021 8FJX-8FJX (6R/8R)	2
	1018115	HOSE: .50 X 030 8FJX-8FJX (12R)	

****IMPORTANT** ITEM 20 (PN: 300070-CHECK VALVE) MUST BE INSTALLED AS SHOWN PER DIAGRAM, TO PREVENT PREMATURE ROWFINDER VAVE FAILURE.**



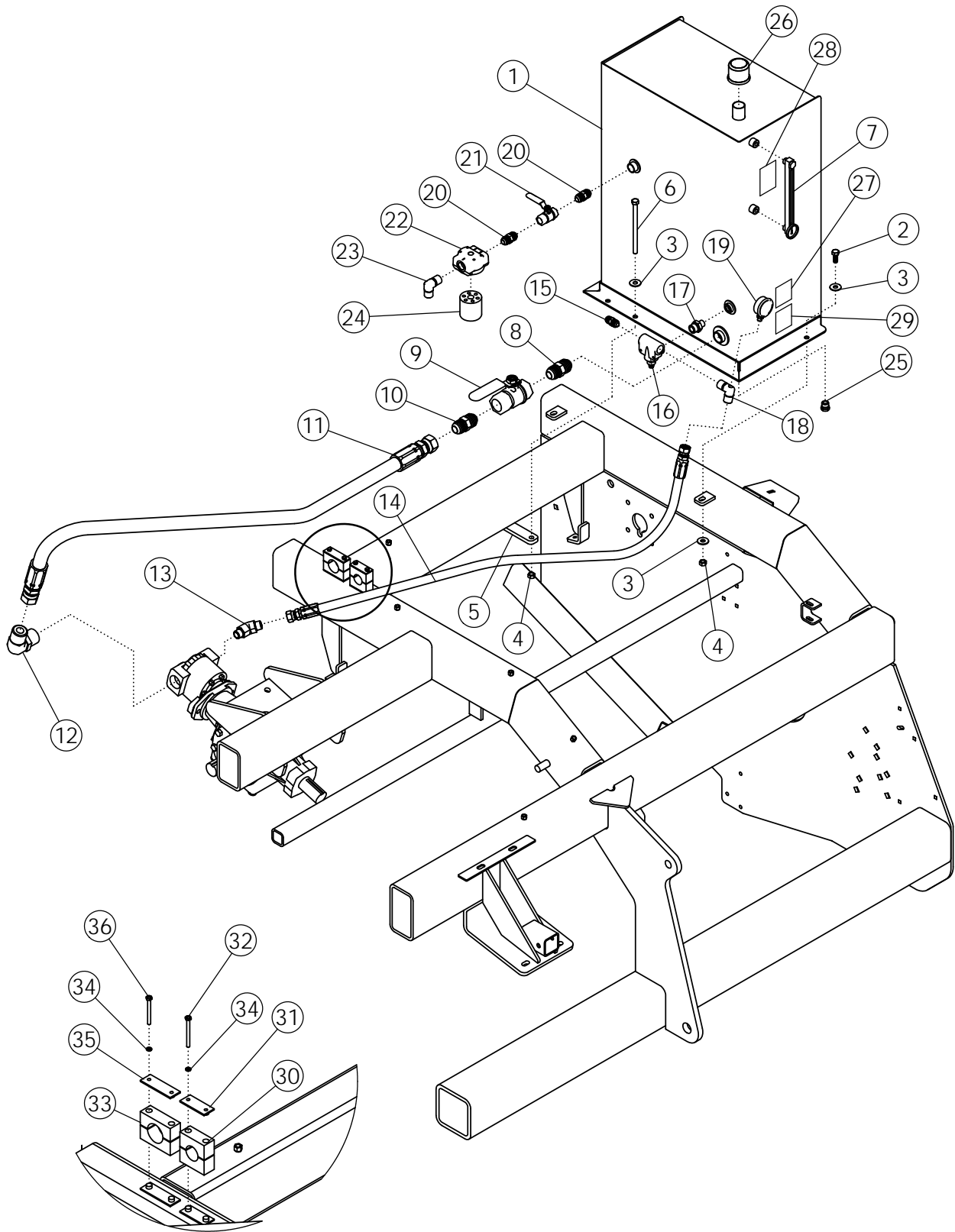
VALVE GROUP: DUAL MOTOR SCRUB

ITEM	PART NO.	DESCRIPTION	QTY
1	68092	WLDMT-BRACKET FLOW CONTROL	1
2	58985	VALVE-FLOW CONTROL- 3/4" FP	2
	64414	SEAL KIT FOR 58985	
3	59524	WLDMT-ARM FLOW CONTROL Z.P.	1
4	59633	ACTUATOR-12VDC 4" STROKE	1
5	59463	SPACER	4
6	1030946	NUT-TOPLOCK: .25 NC GR5 ZP	6
7	1013940	BOLT-HEX: .25 X 1.25 NC GR5	1
8	59206	BRACKET-FLOW CONTROL ZP	1
9	54314	PIN-ROLL .19 X .75 ZP	3
10	1030776	BOLT-HEX: .25 X 4.00 NC GR5	4
11	1020416	WASHER-FLAT: .25 ZP	15
12	59042	FTG-ADAPTER: 12MP-12MJ	6
13	59041	FTG-ELBOW: 12MJ-12FJX 90	7
14	63471	ASSY-TUBE LINE .75 X 5.25 0-0	1
15	58986	FTG-TEE: 12MJ-12MJ-12MJ	1
16	59888	FTG-TEE: 12MJ-12FJX-12MJ	1
17	59881	BRACKET-BOLT PLATE	4
18	58176	BOLT-HEX: .38 X 3.50 NC GR5 ZP	4
19	1016999	NUT-TOPLOCK: .38 NC GR5 ZP	4



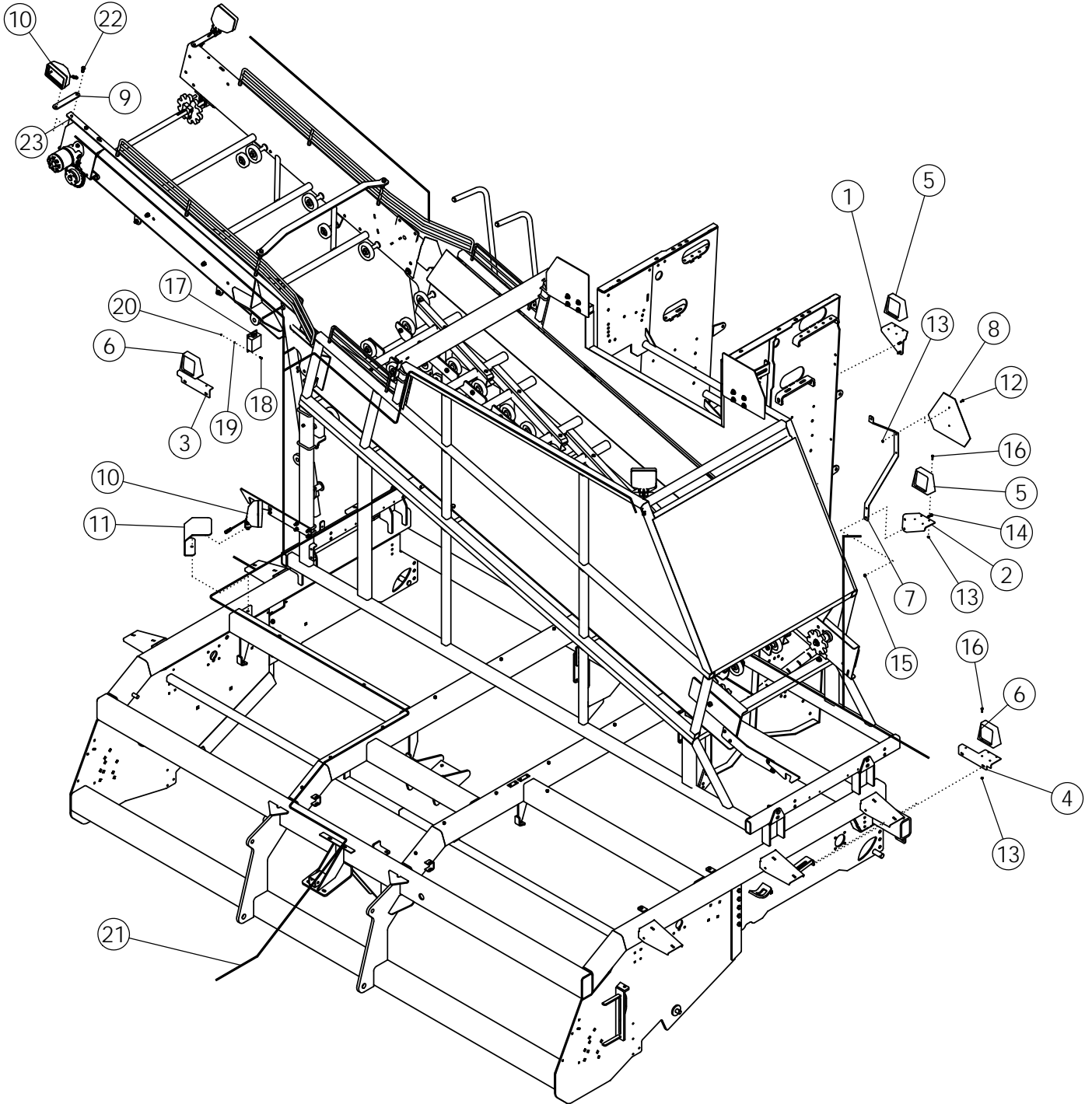
TANK HYDRAULICS

ITEM	PART NO.	DESCRIPTION	QTY
1	54825	BRACKET-HOSE ZP	2
2	62904	GUARD-SELECTOR VALVE	1
3	58470	VALVE-SELECTOR	1
4	59390	BOLT-HEX: .38 X 2.25 NC GR5 ZP	2
5	1016999	NUT-TOPLOCK: .38 NC GR5 ZP	5
6	56231	FTG-TEE: 6MJ-6FJX-6MJ	1
7	56226	FTG-ADAPTER: 8MB-8MJ	4
8	300072	FITTING-RESTRICTOR (6MJ-6FJ R 1/16)	1
9	58867	HOSE: .38 X 110 6FJX-6FJX	1
10	56190	FTG-PLUG: 8MB	1
11	50714	CLAMP 1/2" ZP	10
12	300070	VALVE-CHECK: 8MB-8FJ FLOW F-->M	1
13	58515	FTG-ELBOW: 8MB-8MJ-45	1
14	300069	FTG-ADAPTER: 8FB-10MB	1
15	56229	FTG-ELBOW: 10MB-8MJ-45	1
16	58889	CYLINDER-HYD 2.5 X 16	2
17	58557	FTG-ELBOW: 8MB-6MJ 90	2
18	58547	FTG-PLUG: 8MB BREATHER	2
19	1011586	WASHER-LOCK: .38 ZP	7
20	1011602	BOLT-HEX: .38 X 1.50 NC GR5 ZP	3
21	1011600	BOLT-HEX: .38 X 1.00 NC GR5 ZP	7
22	36290	PIONEER TIP 8010-15P (#8 ORB)	2
23	50779	HOSE-CLAMP	2
24	300076	HOSE: .50 X 262 8MB-8FJX	2
25	59889	HOSE: .50 X 161 X 8FJX-8FJX	2
26	44159	HOSE: .38 X 040 6FJX-6FJX	1
27	66624	FTG-ADAPTER: 6MJ-8MB	1
28	57897	FTG-ELBOW: 6MJ-6FJX-90	1
29	301538	FTG-ELBOW: 6MJ-6FJX-45	1
30	301298	WLDMT-CYLINDER LUG	2
31	1013918	BOLT-HEX: .63 X 1.75 NC GR5 ZP	8
32	1016595	NUT-TOPLOCK: .63 NC GR5 ZP	8
33	1011595	BOLT-HEX: .25 X .75 NC GR5 ZP	2
34	1020416	WASHER-FLAT: .25 ZP	2
35	1030946	NUT-TOPLOCK: .25 NC GR5 ZP	2



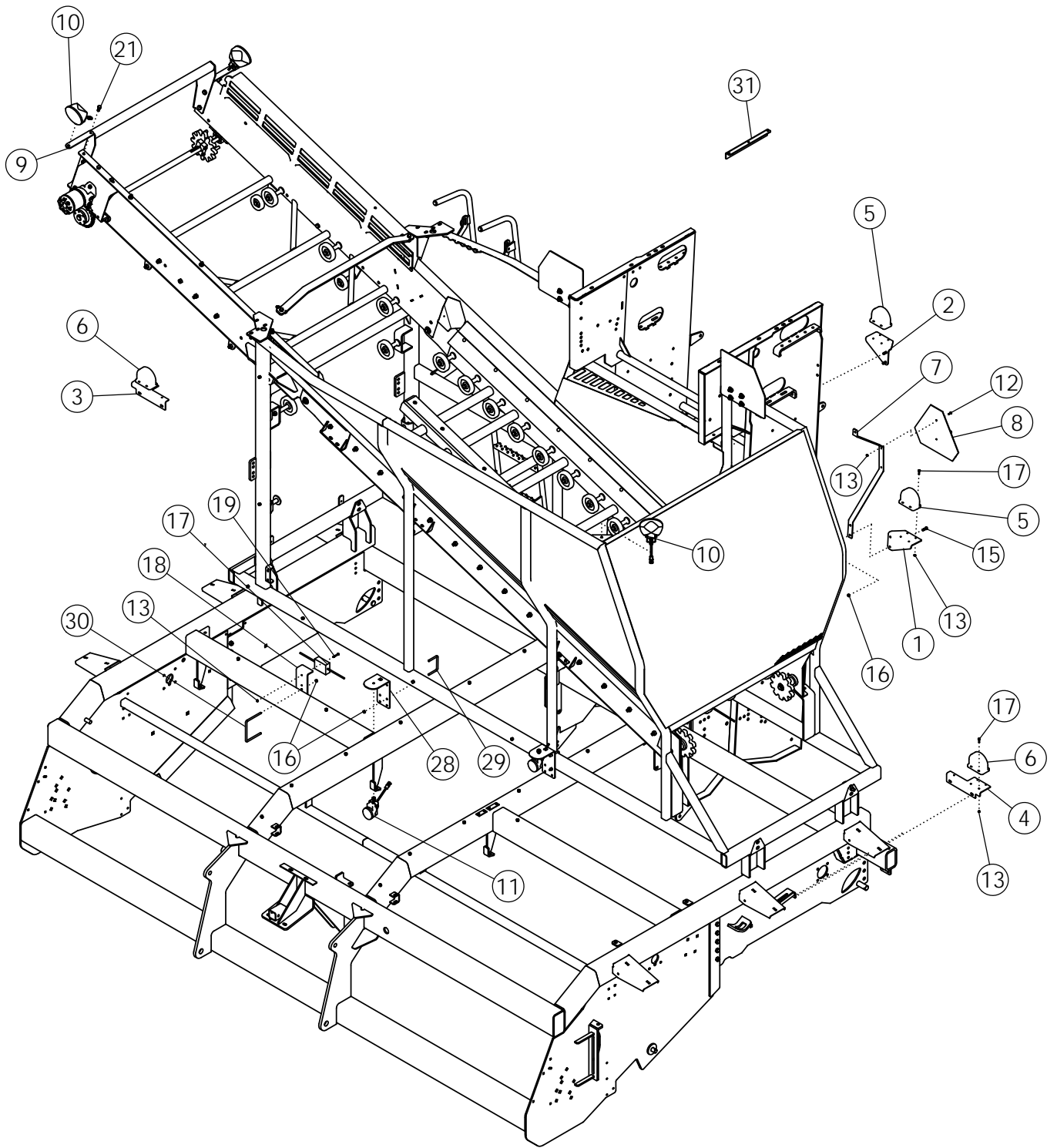
HYDRAULIC TANK

ITEM	PART NO.	DESCRIPTION	QTY
1	58079	HYDRAULIC TANK-PAINTED	1
2	1011606	BOLT-HEX: .50 X 1.25 NC GR5 ZP	2
3	1014443	WASHER-FLAT: .50 ZP	6
4	1027461	NUT-TOPLOCK: .50 NC GR5 ZP	4
5	58204	BAR - BOLTING	1
6	1032514	BOLT-HEX: .50 X 7.50 NC GR5 ZP	2
7	58914	GAUGE-LEVEL & TEMP	1
8	58978	FTG-ADAPTER: 20MP-20MP	1
9	58979	VALVE-BALL: 20FP-20FP	1
10	62209	FTG-ADAPTER: 20MP-20MJ	1
11	62213	HOSE: 1.25 X 084 20FJX-20FJX	1
12	58980	FTG-ELBOW: 24MB-20MJ-90	1
13	62212	FTG-ELBOW: 16MB-12MJ-45	1
14	62517	HOSE: .75 X 079 12FJX-12FJX	1
15	59042	FTG-ADAPTER: 12MP-12MJ	1
16	58190	VALVE-RELIEF	1
17	58466	FTG-ADAPTER: 12MP-8MP	1
18	58983	FTG-ELBOW: 12MP-12MJ-90 W/.25" FP	1
19	62518	GAUGE-PRESSURE: 1/4"MP 3000 PSI	1
20	58196	FTG-ADAPTER: 12MP-12MP	2
21	59165	VALVE-BALL 3/4FP - 3/4FP	1
22	58690	FILTER HEAD	1
23	59044	FTG-ELBOW: 12MP-12MJ-90	1
24	58691	FILTER-HYDRAULIC	1
25	55718	FTG-PLUG: 8MB	1
26	58197	CAP-FILLER	1
27	62964	DECAL-WARNING	1
28	64428	DECAL-HYD TANK SPECS	1
29	64429	DECAL-WARNING BALL VALVE	1
30	64645	CLAMP-STAUFF 6445PPH (2 HALVES)	1
31	64646	PLATE-COVER DP5	1
32	1032287	BOLT-HEX: .25 X 2.75 NC GR5 ZP	2
33	64612	CLAMP-STAUFF 5278PPH (2 HALVES)	1
34	1013242	WASHER-LOCK: .25 ZP	4
35	64613	PLATE-COVER DP6	1
36	1032285	BOLT-HEX: .25 X 2.50 NC GR5 ZP	2



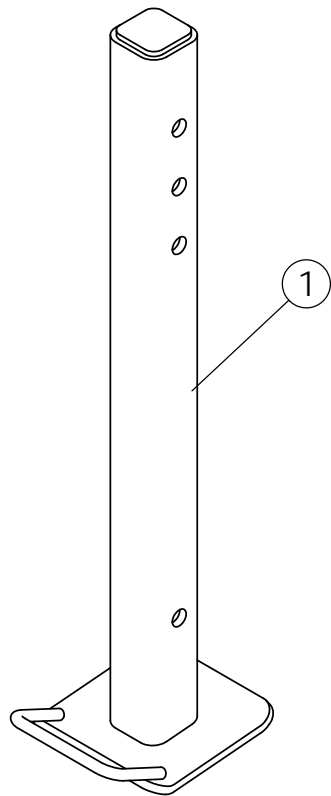
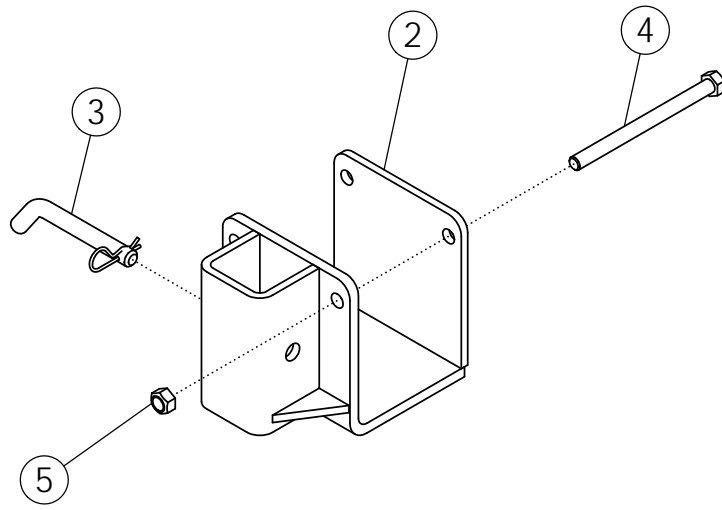
LIGHT KIT

ITEM	PART NO.	DESCRIPTION	QTY
1	64236	BRACKET-LIGHT RH RED	1
2	64235	BRACKET-LIGHT LH RED	1
3	64175	BRACKET RH	1
4	64176	BRACKET LH	1
5	65953	LAMP-RED TAIL	2
6	65954	LAMP-AMBER TAIL	2
7	64290	MOUNT-SMV SIGN	1
8	65329	SIGN-SMV ASAE	1
9	57168	LIGHT BRACKET	2
10	62900	ASSY - LIGHT FLOOD W/CON	4
11	62894	GUARD-GRABROLL LIGHT	1
12	1011595	BOLT-HEX: .25 X .75 NC GR5 ZP	2
13	1030946	NUT-TOPLOCK: .25 NC GR5 ZP	18
14	1011601	BOLT-HEX: .38 X 1.25 NC GR5 ZP	4
15	1016999	NUT-TOPLOCK .375 NC GR5 ZP	4
16	1013423	BOLT-HEX: .25 X 1.00 NC GR5 ZP	16
17	65341	MODULE-INTERFACE	1
18	0100615	BOLT: .19 X .75 NC GR5 ZP	4
19	1012061	WASHER-LOCK: .19 ZP	4
20	1011588	NUT-HEX: .19 NC GR2 ZP	4
21	64283	HARNESS-HARVESTER	1
22	1011606	BOLT-HEX: .50 X 1.25 NC GR5 ZP	2
23	1027461	NUT-TOPLOCK: .50 NC GR5 ZP	2
24	1013122	TIE-CABLE, NYLON 14.00" (NOT SHOWN)	40
25	62833	CLAMP-ADHESIVE BACKED CABLE (NOT SHOWN)	8
26	1011600	BOLT-HEX: .38 X 1.00 NC GR5 ZP (NOT SHOWN)	1
27	64047	ANGLE-GUARD (NOT SHOWN)	2



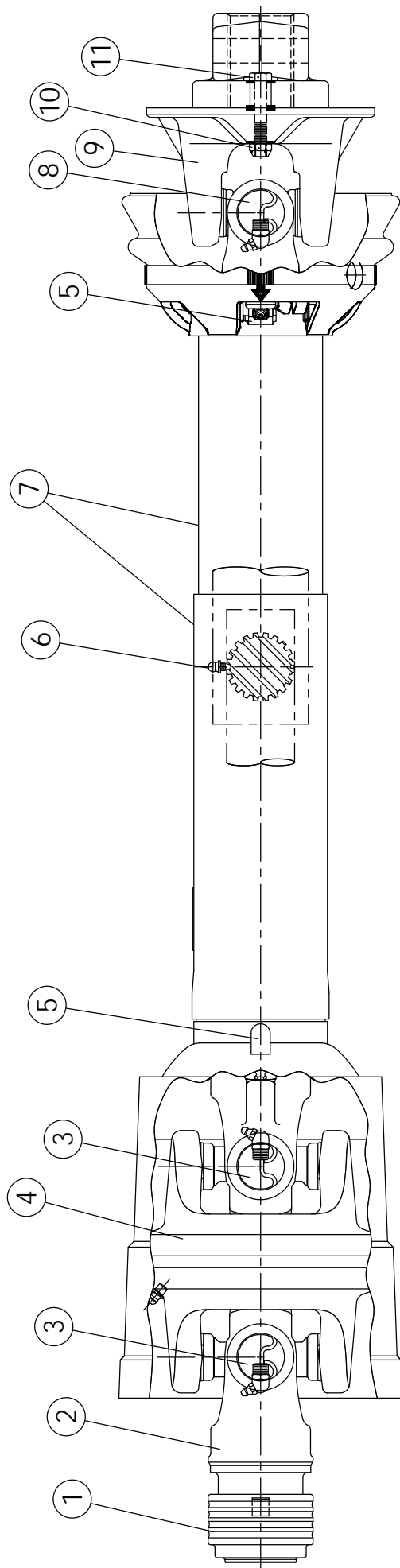
LIGHT KIT HD

ITEM	PART NO.	DESCRIPTION	QTY
1	64236	BRACKET-LIGHT RH RED	1
2	64235	BRACKET-LIGHT LH RED	1
3	64175	BRACKET RH	1
4	64176	BRACKET LH	1
5	305218	LIGHT-RED LAMP SAE	2
6	305217	LIGHT-YELLOW LAMP SAE	2
7	64290	MOUNT-SMV SIGN	1
8	65329	SIGN-SMV ASAE	1
9	300326	PLATE-LIGHT MOUNT BOOM	2
10	301293	LIGHT-GROTE 1200 OVAL FLOOD	3
11	301294	LIGHT-GROTE T26 NEAR FLOOD	2
12	1011595	BOLT-HEX: .25 X .75 NC GR5 ZP	2
13	1030946	NUT-TOPLOCK: .25 NC GR5 ZP	20
14	1011601	BOLT-HEX: .38 X 1.25 NC GR5 ZP	4
15	1016999	NUT-TOPLOCK .375 NC GR5 ZP	4
16	1013423	BOLT-HEX: .25 X 1.00 NC GR5 ZP	16
17	305216	HARNESS-FLASHER MODULE	1
18	301339	PLATE-LIGHT MODULE MOUNT	1
19	1016853	BOLT-HEX: .25 X .75 NC GR5 ZP	2
20	301335	HARNESS-HARVESTER MAIN	1
21	301494	HARNESS-HARVESTER 8R HAZARD	1
22	1011606	BOLT-HEX: .50 X 1.25 NC GR5 ZP	2
23	1027461	NUT-TOPLOCK: .50 NC GR5 ZP	2
24	1013122	TIE-CABLE, NYLON 14.00" (NOT SHOWN)	40
25	62833	CLAMP-ADHESIVE BACKED CABLE (NOT SHOWN)	8
26	1011600	BOLT-HEX: .38 X 1.00 NC GR5 ZP (NOT SHOWN)	1
27	301495	HARNESS-HARVESTER WORK LIGHT	1
28	300327	PLATE-LIGHT MOUNT	2
29	306098	U-BOLT: .375 X 3.00 X 4.00 X 3.00 ZP	4
30	64364	U-BOLT: .375 X 5.13 X 6.00 X 5.13 ZP	1
31	64047	ANGLE-GUARD	1



HARVESTER STAND #63397 (OPTIONAL)

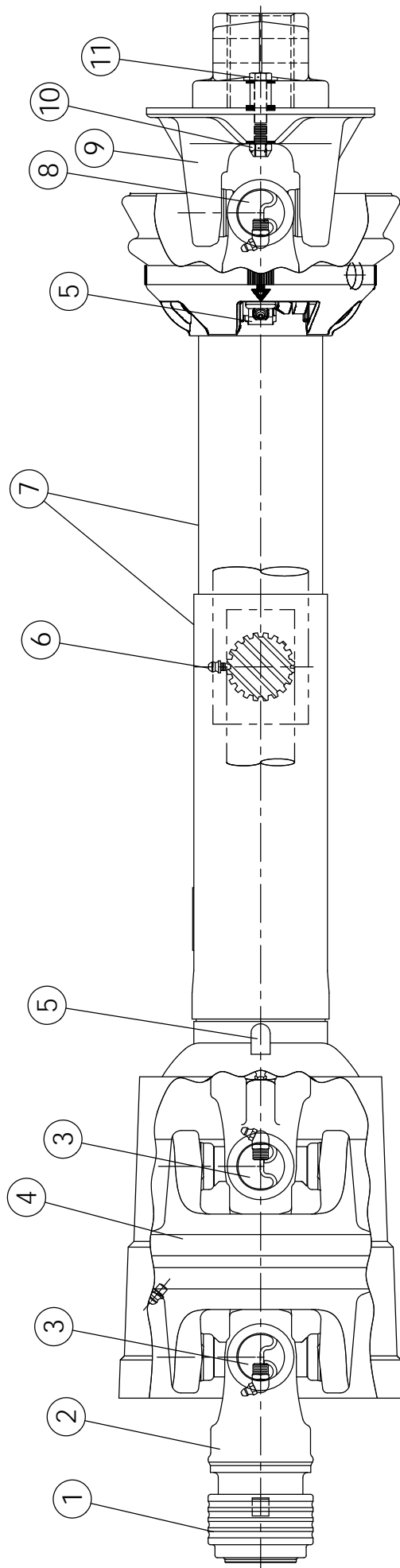
ITEM	PART NO.	DESCRIPTION	QTY
1	63382	WLDMT-STAND SUPPORT	1
2	63377	WLDMT-STAND MOUNT	1
3	63407	PIN-BENT	1
4	1018957	BOLT-HEX: .63 X 8.00 NC GR5 ZP	2
5	1016595	NUT-TOPLOCK: .63 NC GR5 ZP	2



PTO CV DRIVELINE #301558

1.75" - 20 SPLINE

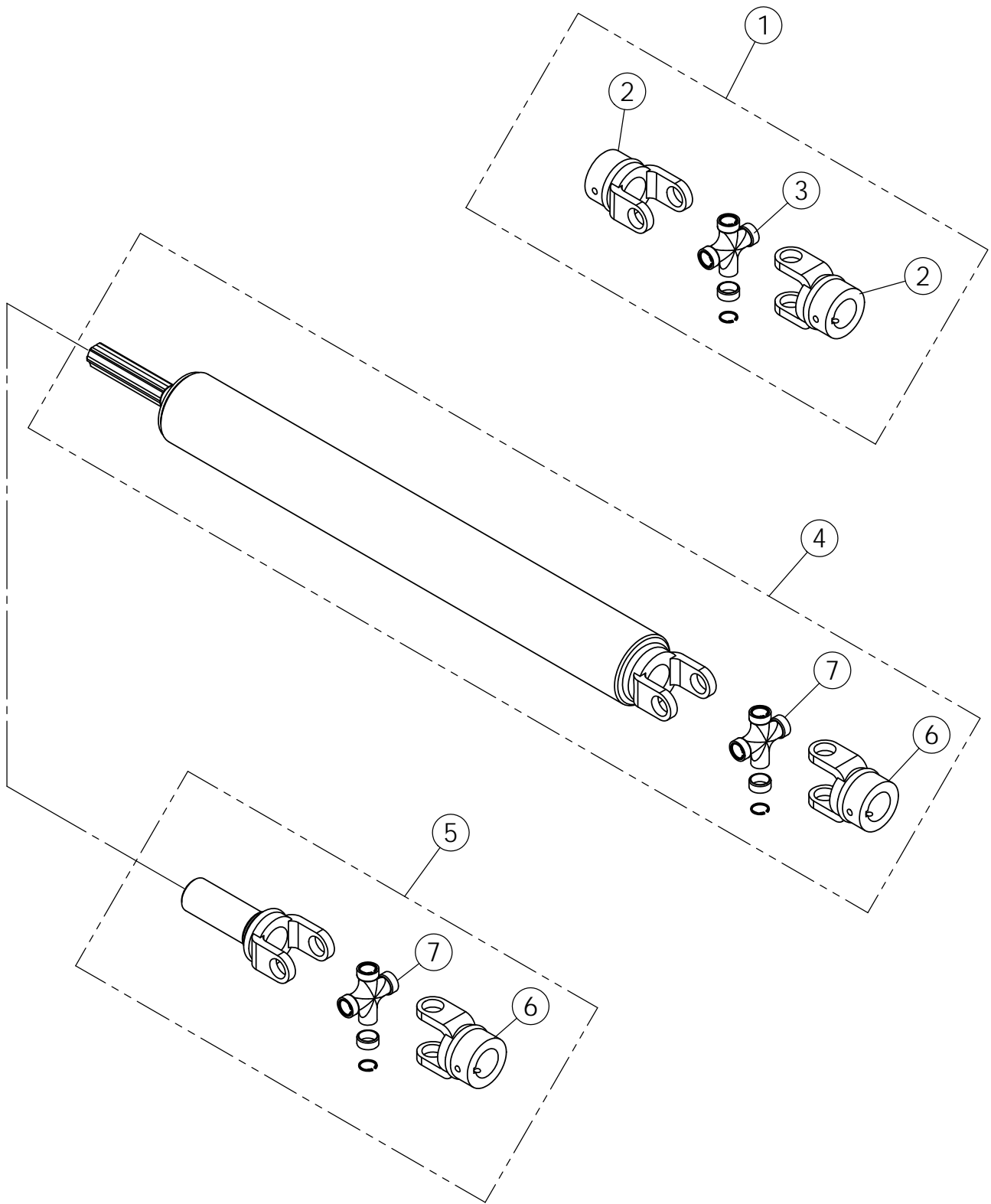
ITEM	PART NO.	DESCRIPTION	QTY
1	62123	KT-SAFETY SLIDE LOCK REPAIR 1.750"	1
2	305902	YOKE ASSY-SAFETY SLIDE LOCK 1.750" CAT 6 CV	1
3	301841	KT-CROSS & BEARING CAT 6	2
4	305904	HOUSING-CV CENTER ASSY CAT 6	1
5	64398	KT-NYLON REPAIR UNIVERSAL	2
6	54161	ZERK-DRIVE LUBE FTG (PRESSED IN)	4
7	301559	GUARD SET-CV PTO HRV MAX 90" EXT.	1
8	54172	KT-CROSS & BEARING 35E SERIES	1
9	57286	ASSY-BALL SHEAR HRV	1
10	1030700	NUT-TOPLOCK: .31 NC GR5 ZP	1
11	1011285	BOLT-HEX: .31 X 2.00 NC GR5 ZP	1



PTO CV DRIVELINE #301575

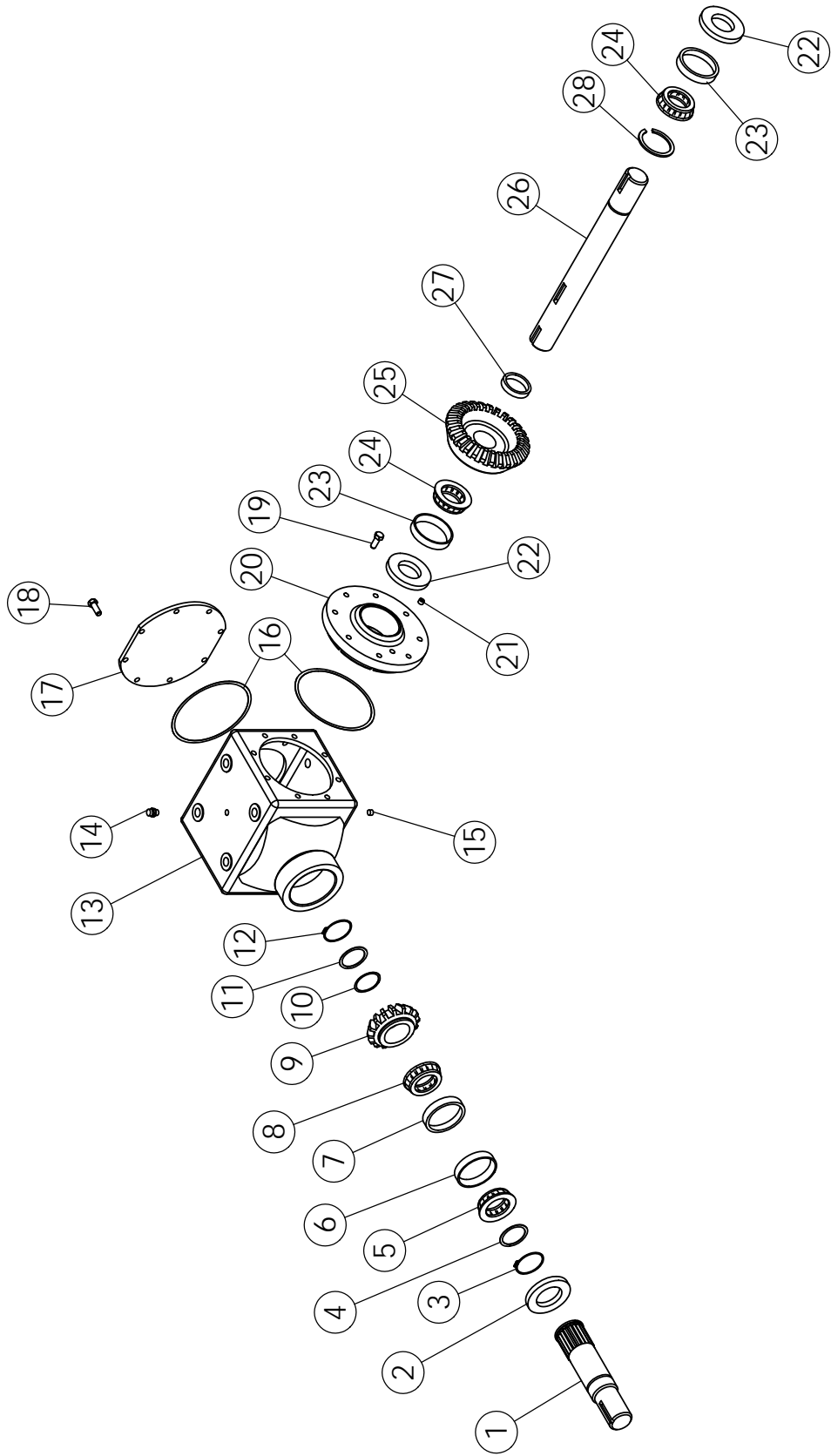
1.375" - 21 SPLINE

ITEM	PART NO.	DESCRIPTION	QTY
1	62122	KT-SAFETY SLIDE LOCK REPAIR 1.375"	1
2	301824	YOKE ASSY-SAFETY SLIDE LOCK 1.375" CAT 6 CV	1
3	301841	KT-CROSS & BEARING CAT 6	2
4	305904	HOUSING-CV CENTER ASSY CAT 6	1
5	64398	KT-NYLON REPAIR UNIVERSAL	2
6	54161	ZERK-DRIVE LUBE FTG (PRESSED IN)	4
7	301559	GUARD SET-CV PTO HRV MAX 90" EXT.	1
8	54172	KT-CROSS & BEARING 35E SERIES	1
9	57286	ASSY-BALL SHEAR HRV	1
10	1030700	NUT-TOPLOCK: .31 NC GR5 ZP	1
11	1011285	BOLT-HEX: .31 X 2.00 NC GR5 ZP	1



DRIVELINE COMPONENTS

ITEM	PART NO.	DESCRIPTION	QTY
1	53642	U-JOINT	1
2	55035	YOKE 1.75"	2
3	54172	35E CROSS & BEARING KIT	1
4	57923	DRIVE SHAFT 49.25"	1
	57924	DRIVE SHAFT 72.50"	
5	57925	DRIVE COUPLER	1
6	62037	YOKE 1.38"	1
7	58876	KT-CROSS & BEARING 14E SERIES	1

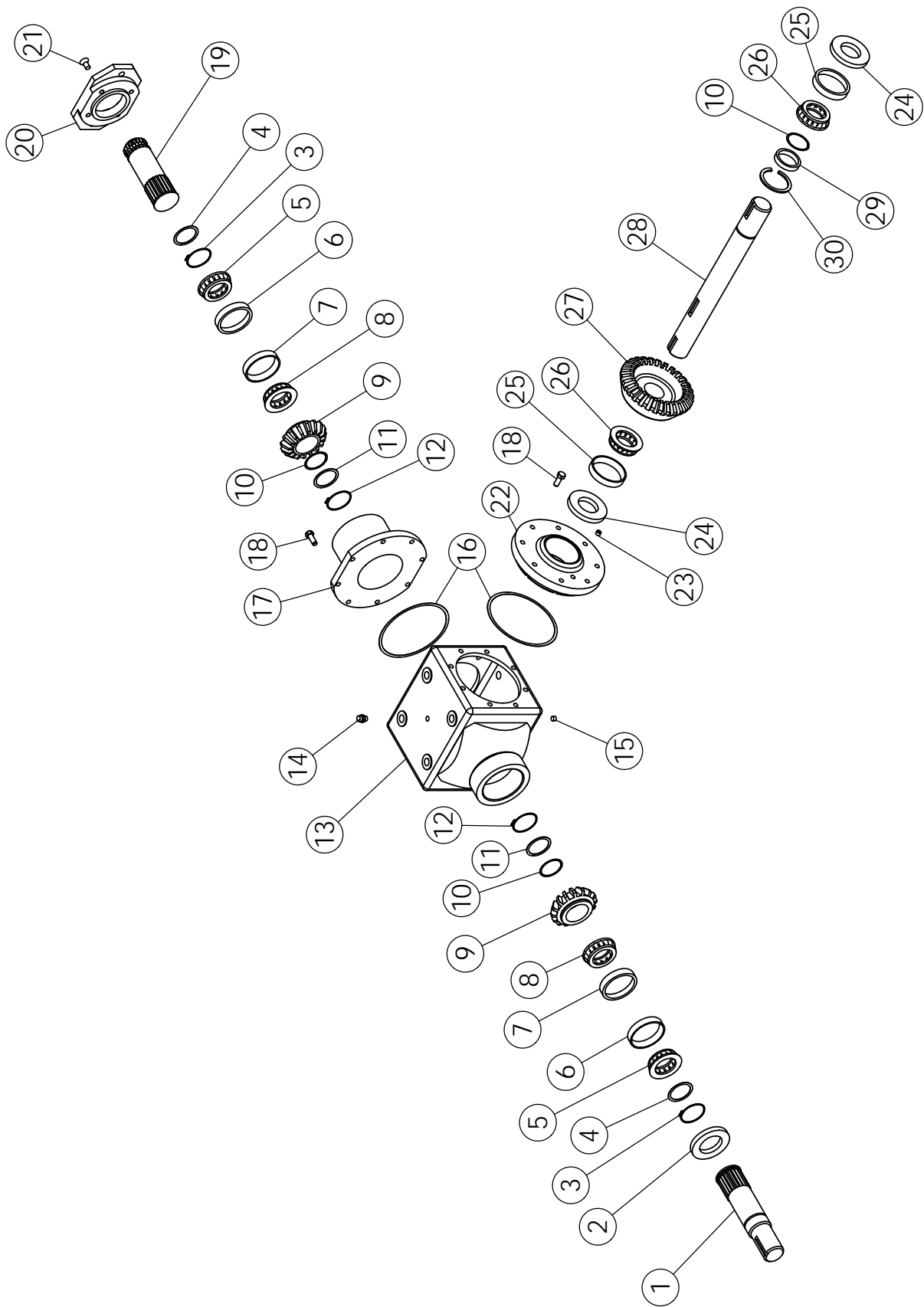


GEARBOX (1.81:1) #63846 (PRIMARY)

ITEM	PART NO.	DESCRIPTION	QTY
1	62721	QUILL SHAFT	1
2	62722	SEAL: 2.00 X 3.263	1
3	62724	SNAP RING	1
4	62723	WASHER 2.00 X .134	1
5	62725	BEARING CONE	1
6	62726	BEARING CUP	1
7	62727	BEARING CUP	1
8	62728	BEARING CONE	1
9	62729	PINION-16 TOOTH	1
10	62730	SHIM: 1.75 X .007	1
11	62731	WASHER 1.75 X .179	1
	68599	WASHER 1.75 X .135	
12	62732	SNAP RING	1
13	62733	CASE-900 SERIES	1
14	64408	VENT PLUG: .50 NPT (SQ. HD.)	1
15	62735	PLUG: .50 NPT	1
16	62736	SHIM-COVER	2
17	64434	PLATE	1
18	1011599	BOLT-HEX: .38 X .75 NC GR5 ZP	8
19	62738	BOLT-HEX: .38 X 1.00 NC GR5 NP	8
20	62742	COVER-OPEN .375 NPT	1
21	62743	PLUG: .38 NPT	1
22	62744	OIL SEAL: 1.75 X .313	2
23	62745	BEARING CUP	2
24	62746	BEARING CONE	2
25	64410	GEAR-29 TOOTH	1
26	64409	THRU SHAFT	1
27	302320	SPACER: 2.25 X .75	1
28	301491	RING-RETAINING: Ø2.25 X .125	1

SHIMS USE AS NEEDED

64457	SHIM COVER
64461	SHIM: 1.375 ID X .007
62730	SHIM: 1.75 ID X .007
69225	SHIM: 2.75 OD X .007
62736	SHIM COVER
301622	SHIM: 3.00 OD X 2.25 ID
301492	SHIM

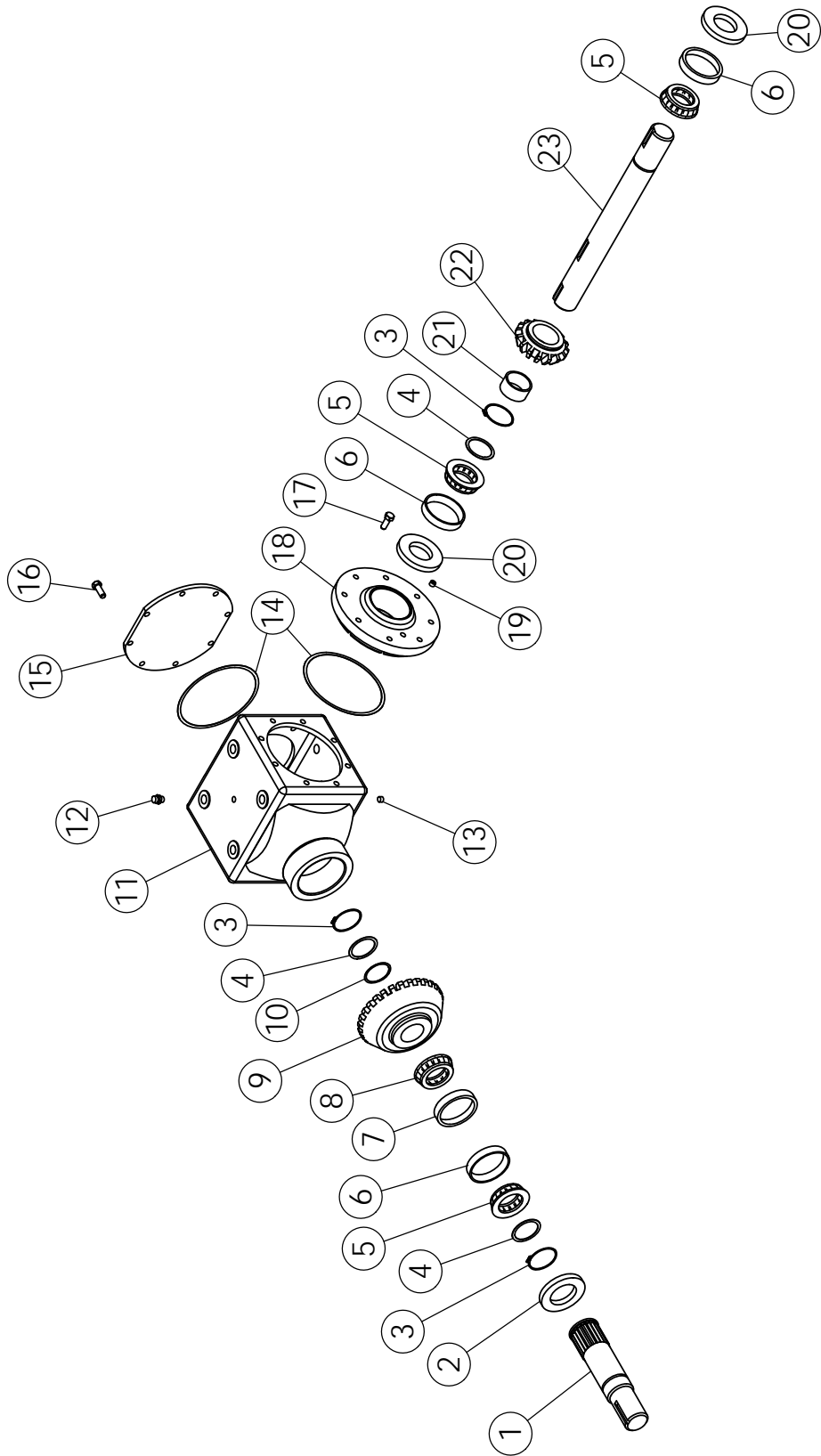


GEARBOX (1.81:1) #62396 (PRIMARY: ONBOARD OPTION)

ITEM	PART NO.	DESCRIPTION	QTY
1	62721	QUILL SHAFT	1
2	62722	SEAL: 2.00 - 3.26	1
3	62724	SNAP RING	2
4	62723	WASHER 2.00 X .13	2
5	62725	BEARING CONE	2
6	62726	BEARING CUP	2
7	62727	BEARING CUP	2
8	62728	BEARING CONE	2
9	62729	PINION-16 TOOTH	2
10	62730	SHIM: 1.75 X .007	3
11	62731	WASHER 1.75 X .179	2
	68599	WASHER 1.75 X .135	
12	62732	SNAP RING	2
13	62733	CASE-900 SERIES	1
14	64408	VENT PLUG: .50 NPT (SQ. HD.)	1
15	62735	PLUG: .50 NPT	1
16	62736	SHIM-COVER	2
17	62737	QUILL HOUSING	1
18	62738	BOLT-HEX: .38 X 1.00 NC GR5 NP	16
19	62739	QUILL SHAFT	1
20	62740	FLANGE: 'SAE B' -2.00 BOLT	1
21	62741	SFHCS: .38 X .75 NC GR5	4
22	62742	COVER-OPEN .38 NPT	1
23	62743	PLUG: .38 NPT	1
24	62744	OIL SEAL: 1.75 X .31	2
25	62745	BEARING CUP	2
26	62746	BEARING CONE	2
27	64410	GEAR-29 TOOTH	1
28	64409	THRU SHAFT	1
29	302320	SPACER: 2.25 X .75	1
30	301491	RING-RETAINING: Ø2.25 X .125	1

SHIMS USE AS NEEDED

64457	SHIM COVER
64461	SHIM: 1.375 ID X .007
62730	SHIM: 1.75 ID X .007
69225	SHIM: 2.75 OD X .007
62736	SHIM COVER
301622	SHIM: 3.00 OD X 2.25 ID
301492	SHIM

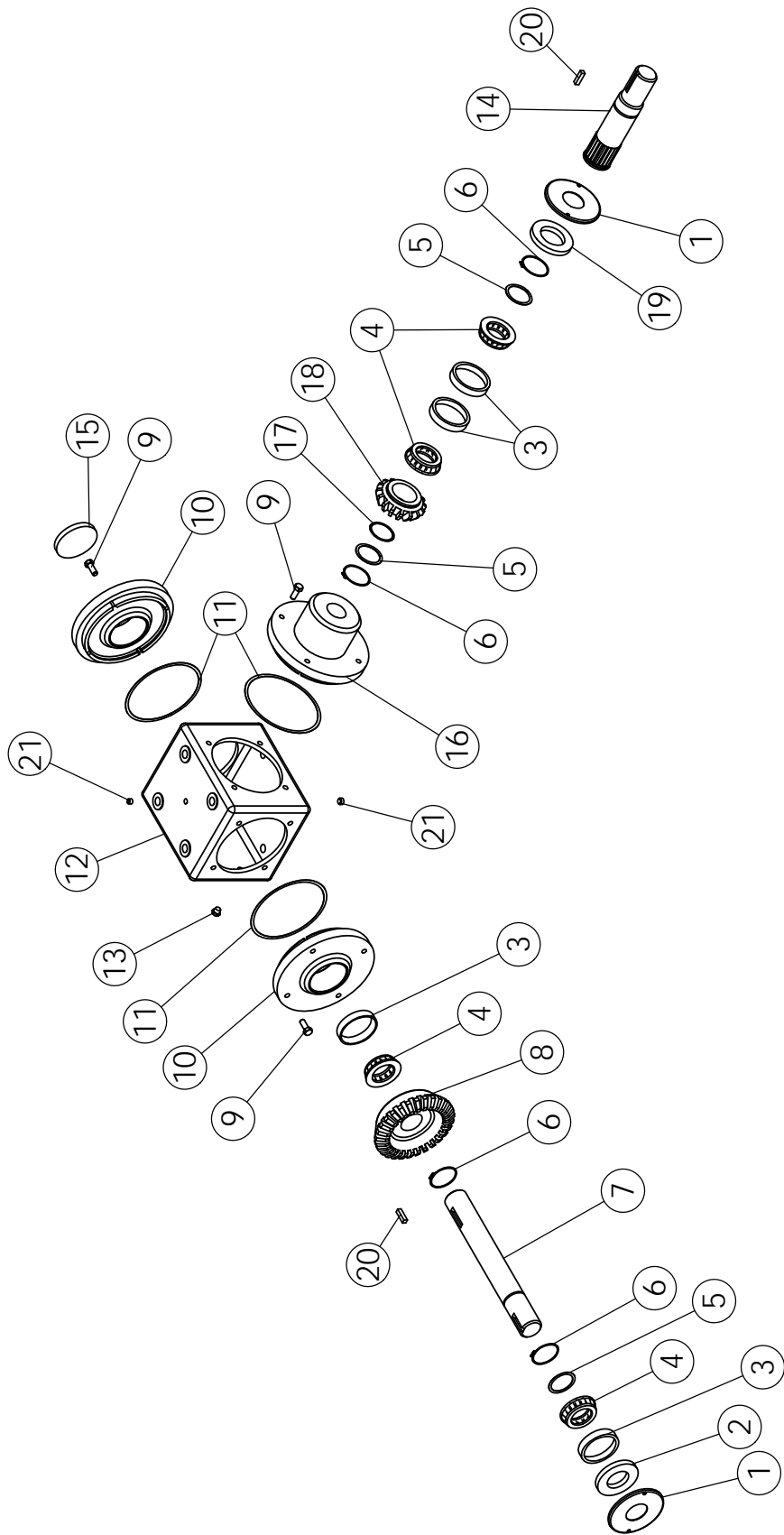


GEARBOX (1.35:1) #63847 (SECONDARY)

ITEM	PART NO.	DESCRIPTION	QTY
1	64435	QUILL SHAFT	1
2	64436	OIL SEAL	1
3	62732	SNAP RING	3
4	62731	WASHER 1.75 X .179	3
	68599	WASHER 1.75 X .135	
5	62746	BEARING CONE	3
6	62745	BEARING CUP	3
7	62727	BEARING CUP	1
8	64443	BEARING CONE	1
9	64444	GEAR-27 TOOTH	1
10	62730	SHIM: 1.75 X .007	1
11	62733	CASE-900 SERIES	1
12	64445	VENT PLUG: .50 NPT	1
13	62735	PLUG: .50 NPT	1
14	62736	SHIM-COVER	2
15	64434	PLATE	1
16	1011599	BOLT-HEX: .38 X .75 NC GR5 ZP	8
17	62738	BOLT-HEX: .375 X 1.00 NC GR5 NP	8
18	62742	COVER-OPEN .375 NPT	1
19	62743	PLUG: .375 NPT	1
20	62744	OIL SEAL: 1.75 X .313	2
21	64446	SPACER TUBE	1
22	64447	PINION-20T	1
23	64448	CROSS SHAFT	1

SHIMS USE AS NEEDED

64457	SHIM COVER
64461	SHIM: 1.375 ID X .007
62730	SHIM: 1.75 ID X .007
69225	SHIM: 2.75 OD X .007
62736	SHIM COVER
301622	SHIM: 3.00 OD X 2.25 ID
301492	SHIM

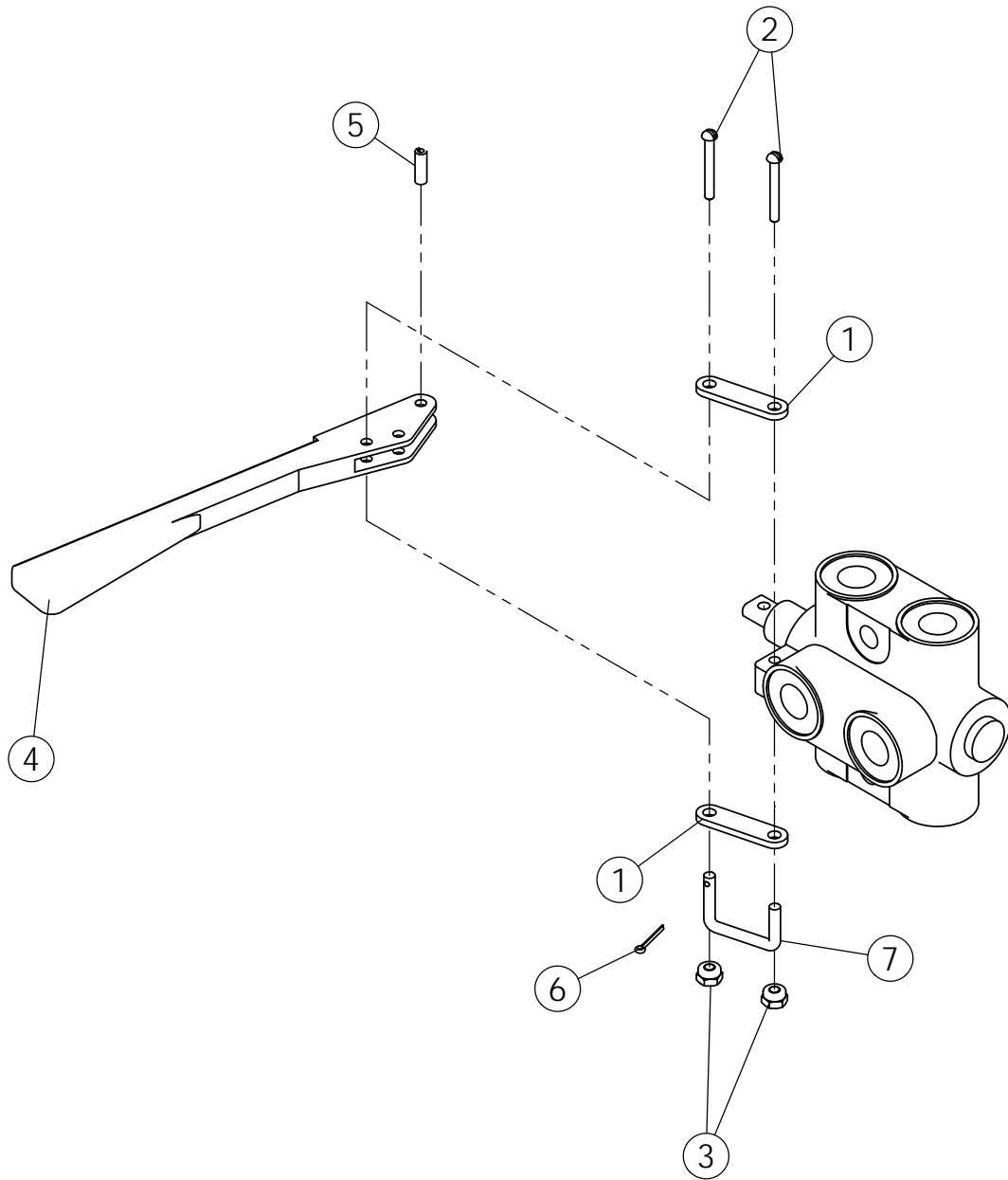


GEARBOX (1:1.35) # 63848 (REAR SCRUB)

ITEM	PART NO.	DESCRIPTION	QTY
1	64332	SHIELD	2
2	64449	OIL SEAL: 1.375 - 2.375	1
3	64450	BEARING CUP	4
4	64451	BEARING CONE	4
5	64452	WASHER: 2.00 X .179	3
6	64453	SNAP RING	4
7	64454	CROSS SHAFT	1
8	64455	GEAR-23 TOOTH	1
9	62738	BOLT-HEX: .38 X 1.00 NC GR5 NP	12
10	64456	COVER-OPEN	2
11	64457	SHIM-COVER	3
12	64458	CASE-M600-3 PORT	1
13	64333	T-VENT PLUG: .25 NPT (SQ. HD.)	1
14	64464	PINION SHAFT	1
15	64459	EXPANSION PLUG	1
16	64460	COVER	1
17	64461	SHIM: 1.375 X .007	1
18	64462	PINION-17T	1
19	64463	OIL SEAL: 1.375 - 2.562	1
20	302319	KEY: 5/16 SQ. X 1.175	2
21	62743	PLUG: .375 NPT	2

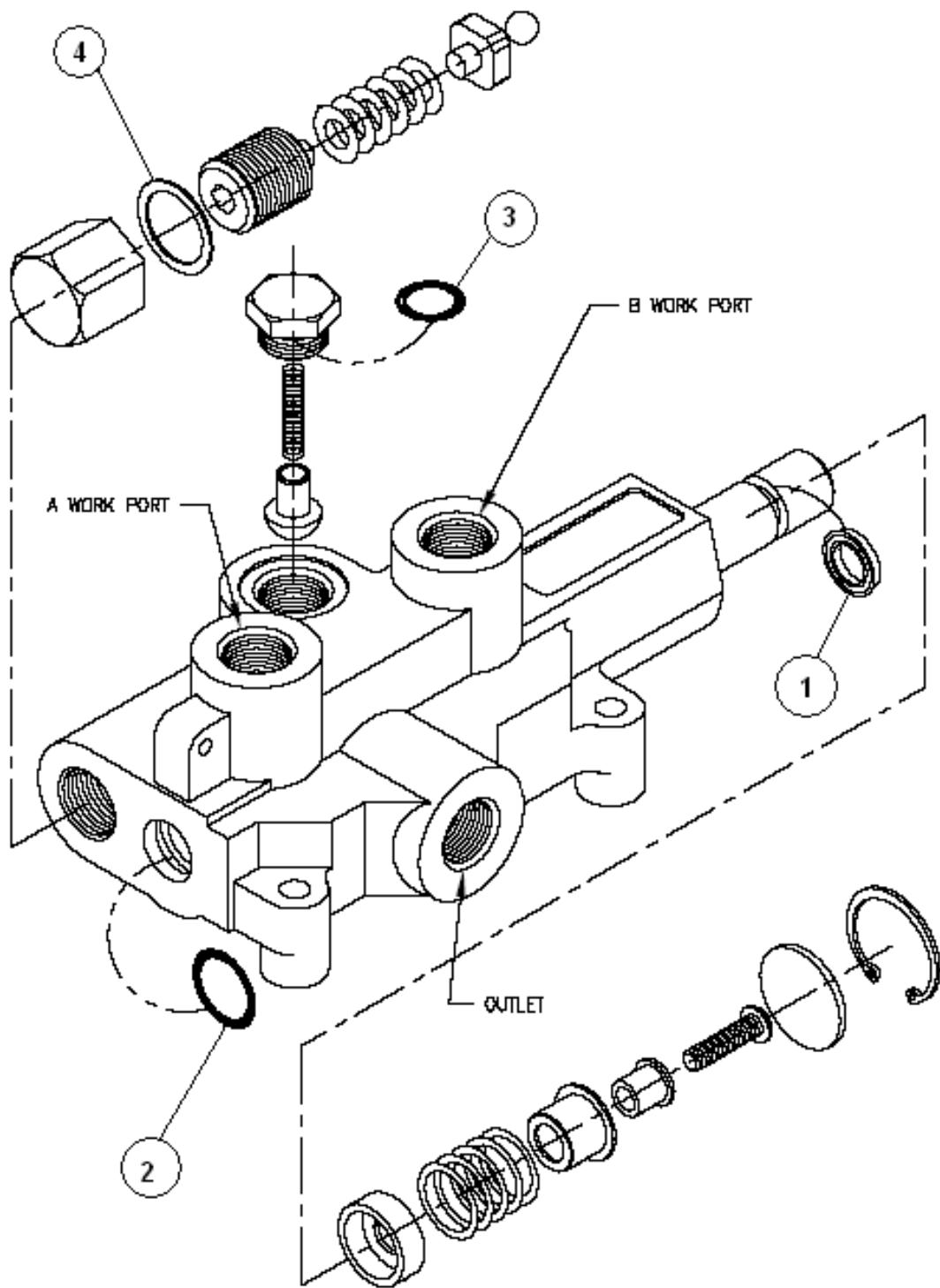
SHIMS USE AS NEEDED

64457	SHIM COVER
64461	SHIM: 1.375 ID X .007
62730	SHIM: 1.75 ID X .007
69225	SHIM: 2.75 OD X .007
62736	SHIM COVER
301622	SHIM: 3.00 OD X 2.25 ID
301492	SHIM



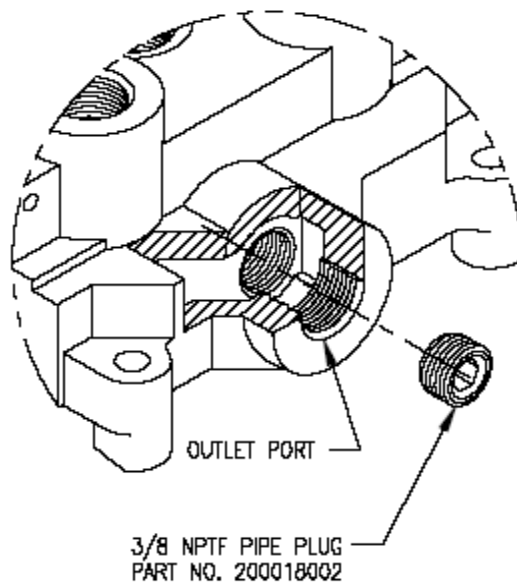
SELECTOR VALVE #58470

ITEM	PART NO.	DESCRIPTION	QTY
	64432	QUAD RING SEAL KIT	2
	58470-1	HANDLE KIT	1
1	68060	PLATE-TAB SELECTOR VALVE ZP	2
2	1011303	SCREW-MACH RND SLT: #10-24 X 1.25	2
3	65712	NUT-NYLOCK: 10-24 GR2 SS	2
4		HANDLE	1
5		SPRING PIN	1
6		PIN-COTTER HANDLE	1
7		CLIP-HANDLE	1



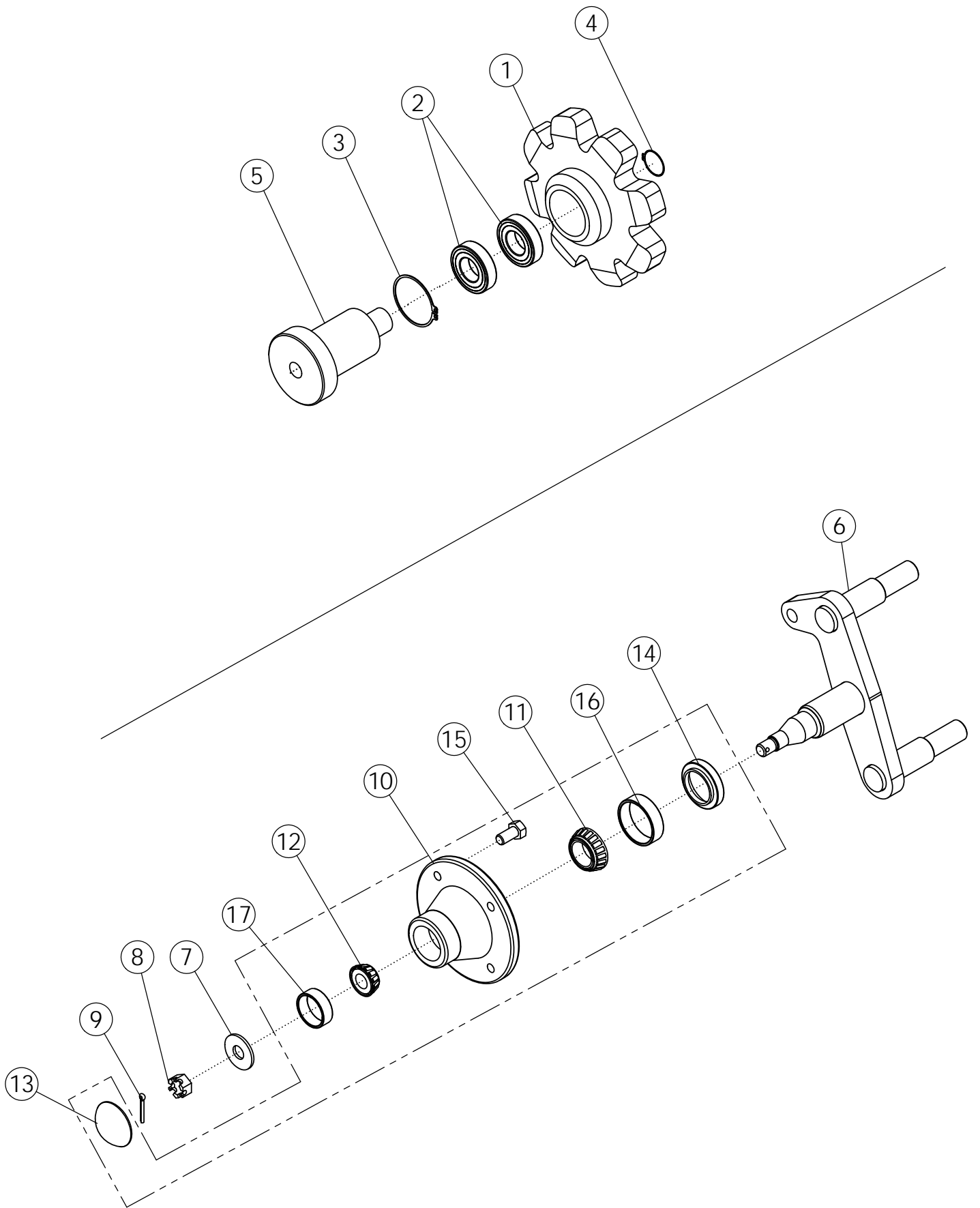
ROW FINDER VALVE #301150

ITEM	PART NO.	DESCRIPTION	QTY
	62757	SEAL KIT	
1		U-CUP	1
2		O-RING	1
3		O-RING	1
4		ALUMINUM WASHER	1



OPEN CENTER TO CLOSED CENTER CONVERSION

THIS FEATURE ALLOWS AN OTHERWISE OPEN CENTER VALVE TO BE CONVERTED TO CLOSED CENTER OPERATION. AS SHOWN ABOVE, A 3/8 NPTF PIPE PLUG IS INSTALLED IN THE BOTTOM OF THE OUTLET PORT TO BLOCK OPEN CENTER PASSAGE. A PIPE THREAD SEALANT SHOULD BE USED. THIS FEATURE IS STANDARD ON ALL VALVES WITH 3/4 NPTF INLET AND OUTLET PORTS. THE PIPE PLUG IS INCLUDED WITH THESE MODELS. DISCARD THE PIPE PLUG IF THE VALVE IS USED ON AN OPEN CENTER APPLICATION.



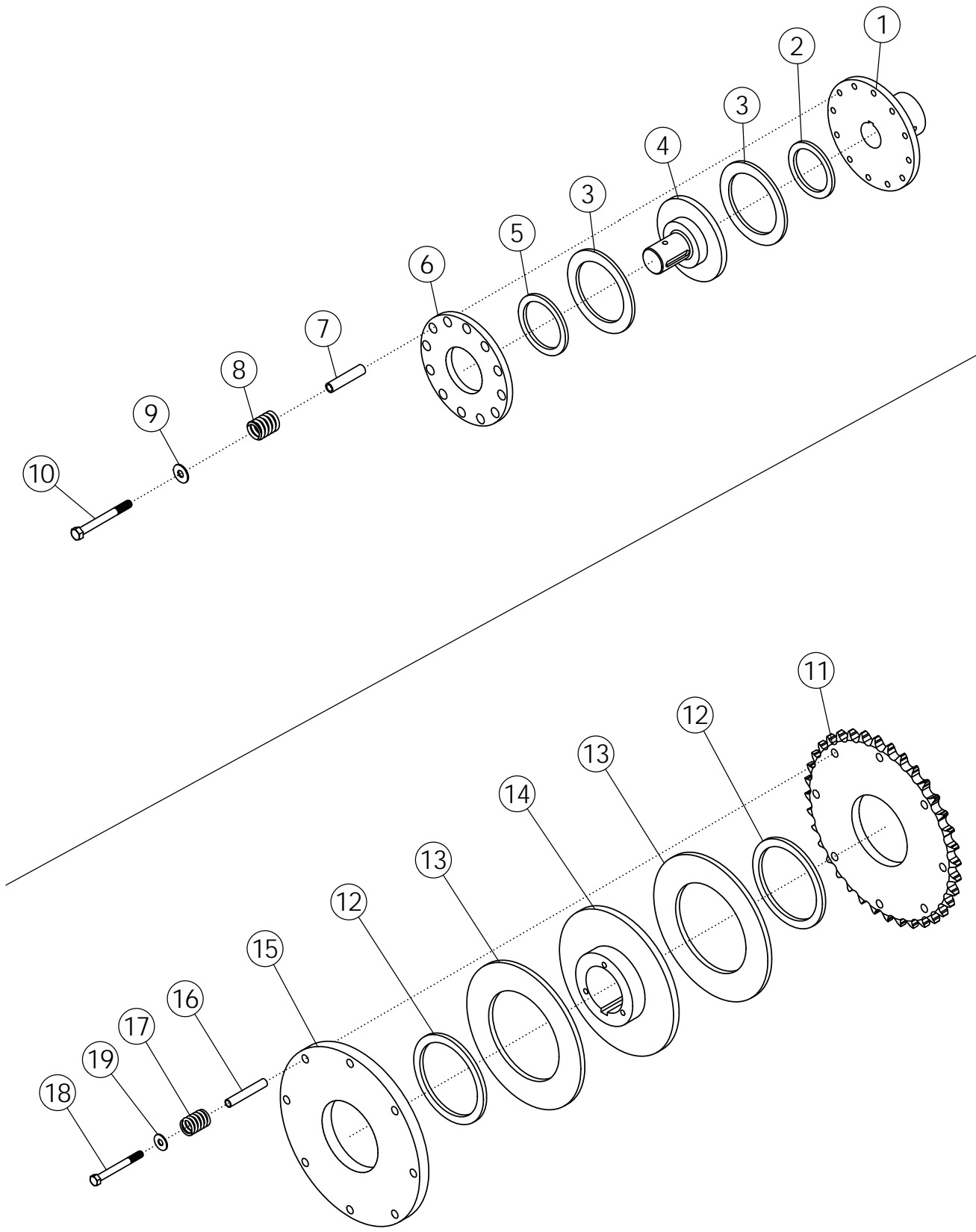
SPROCKET #54824

ITEM	PART NO.	DESCRIPTION	QTY
1	56893	SPROCKET 56MM 8T	1
2	54108	BEARING 2"	2
3	54151	SNAP RING SR11	1
4	54154	SNAP RING SR3	1
5	56892	STUB SHAFT	1

BELT TIGHTENER #56422

ITEM	PART NO.	DESCRIPTION	QTY
6	56421	WLDMT - SPINDLE	1
7	1013623	BUSHING-MACH: .63 NP	2
8	1013625	NUT-HEX: SLOT .63 NF GR5 ZP	1
9	1013626	PIN-COTTER: .16 X 1.25 ZP	1
10	1015157*	HUB-MACHINING	1
11	52245*	BEARING CONE-INNER	1
12	1013620*	CONE-BEARING	1
13	1013622*	HUB CAP	1
14	1029527*	SEAL	1
15	54646*	BOLT-LUG .50 X 1.00	4
16	1012360*	CUP-BEARING: LM 67010	1
17	1013268*	CUP-BEARING: LM 11910	1
18	56951	ASSY-HUB	1

*Items are included in item 18



SLIP CLUTCH (IN-LINE) #57926

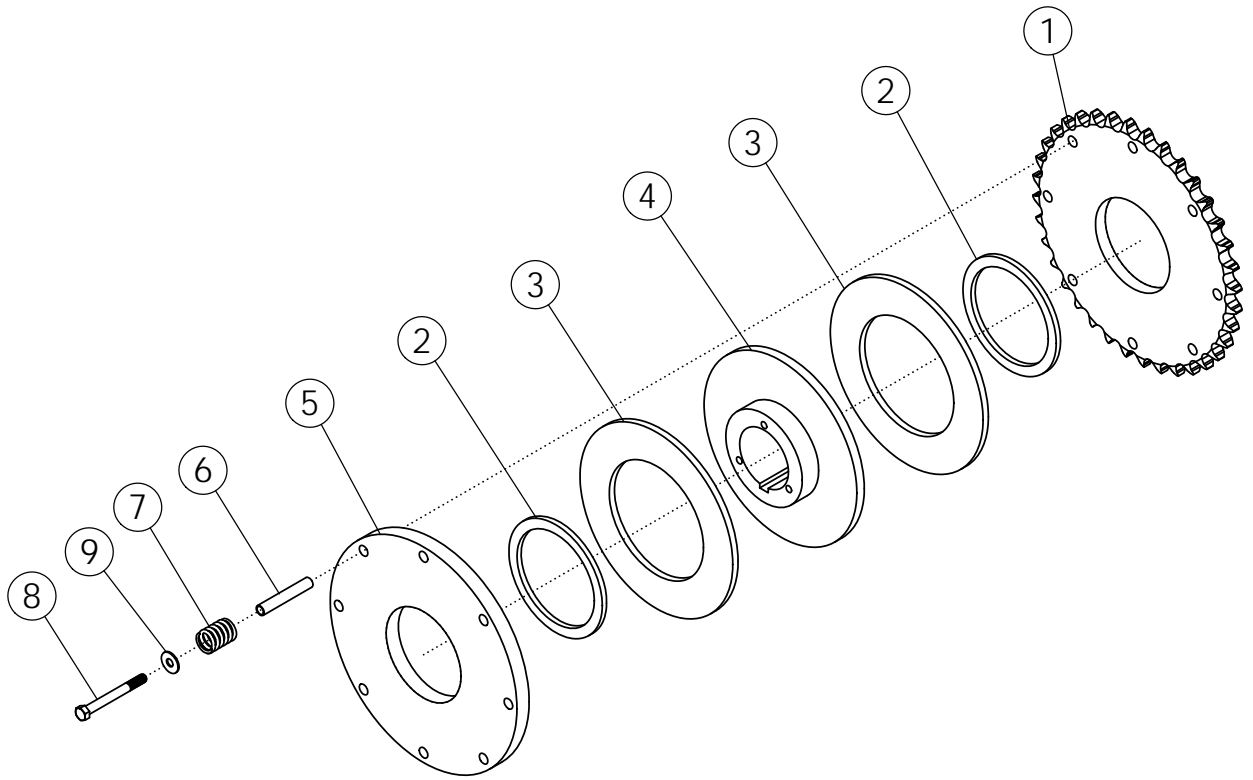
ITEM	PART NO.	DESCRIPTION	QTY
1	58168	HUB-DRIVE	1
2	58169	BUSHING-BRONZE	1
3	58170	DISC-FIBER	2
4	58171	HUB-SLIP CLUTCH	1
5	58172	BUSHING-BRONZE	1
6	58173	PLATE-SLIP CLUTCH	1
7	301701	TUBE-SLIP CLUTCH (2.38)	6
8	58174	SPRING-SLIP CLUTCH	6
9	1011828	WASHER-FLAT: .38 ZP	6
10	58176	BOLT-HEX: .38 X 3.50 NC GR5 ZP	6

SLIP CLUTCH/SPOCKET #57993

ITEM	PART NO.	DESCRIPTION	QTY
11	58177	SPROCKET	1
12	58207	BUSHING-BRONZE	2
13	58215	DISC-FIBER	2
14	58209	HUB-CLUTCH	1
15	58211	PLATE-SLIP CLUTCH	1
16	58213	TUBE-SLIP CLUTCH (2.870")	8
17	58174	SPRING-SLIP CLUTCH	8
18	58176	BOLT-HEX: .38 X 3.50 NC GR5 ZP	8
19	1011828	WASHER-FLAT: .38 ZP	8

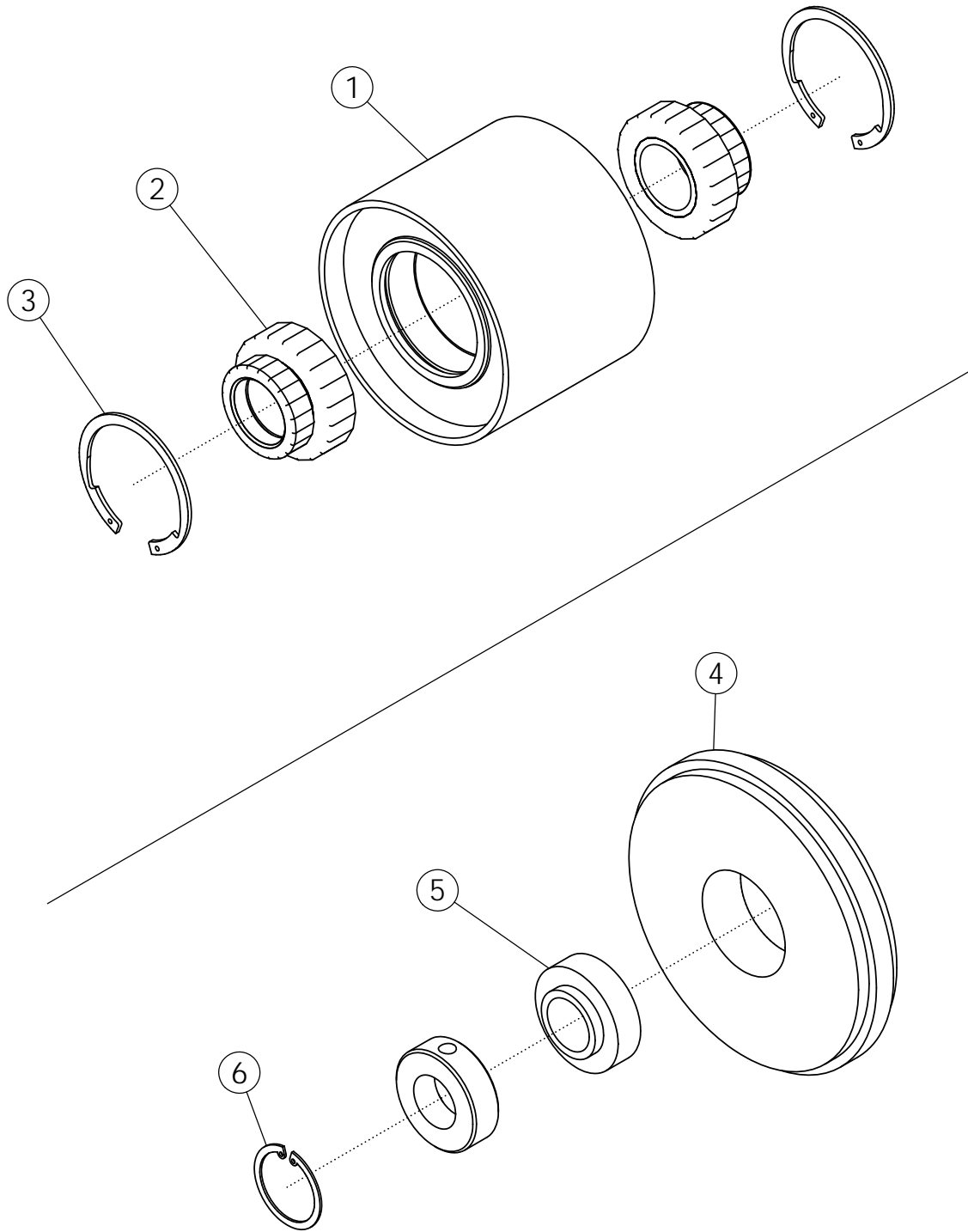
SLIP CLUTCH/SPOCKET #58335

ITEM	PART NO.	DESCRIPTION	QTY
11	58566	SPROCKET	1
12	58208	BUSHING-BRONZE	2
13	58216	DISC-FIBER	2
14	58210	HUB-CLUTCH	1
15	58212	PLATE-SLIP CLUTCH	1
16	301701	TUBE-SLIP CLUTCH (2.38)	6
17	58174	SPRING-SLIP CLUTCH	6
18	1013239	BOLT-HEX: .38 X 3.00 NC GR5 ZP	6
19	1011828	WASHER-FLAT: .38 ZP	6



SLIP CLUTCH/SPOCKET #69630

ITEM	PART NO.	DESCRIPTION	QTY
1	69631	SPROCKET	1
2	58207	BUSHING-BRONZE	2
3	58215	DISC-FIBER	2
4	58209	HUB-CLUTCH	1
5	58211	PLATE-SLIP CLUTCH	1
6	58213	TUBE-SLIP CLUTCH (2.870")	8
7	58174	SPRING-SLIP CLUTCH	8
8	58176	BOLT-HEX: .38 X 3.50 NC GR5 ZP	8
9	1011828	WASHER-FLAT: .38 ZP	8



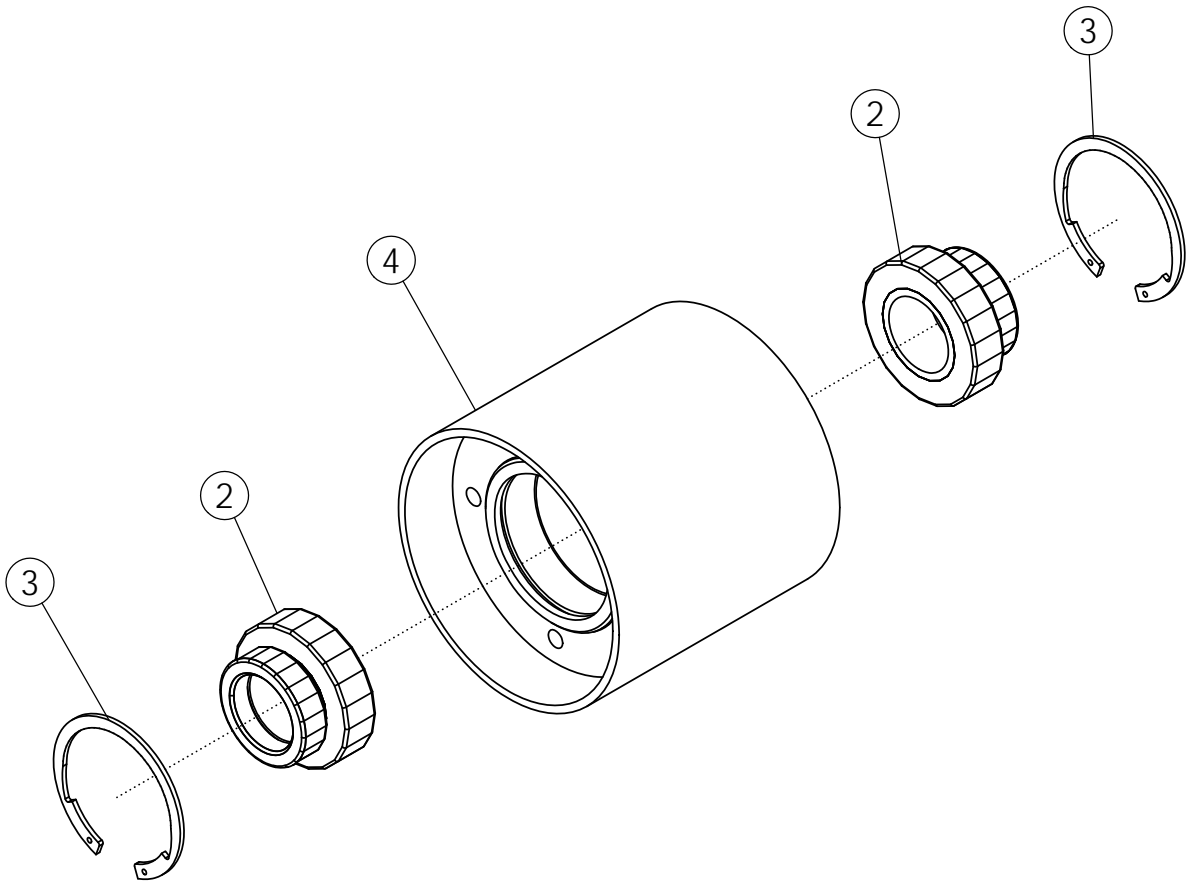
IDLER PULLEY #56409

ITEM	PART NO.	DESCRIPTION	QTY
1	56408	WLDMT-PULLEY 8R	1
2	56399	BALL BEARING 1.75	2
3	56400	RETAINING RING	2

SPROCKET IDLER #56851

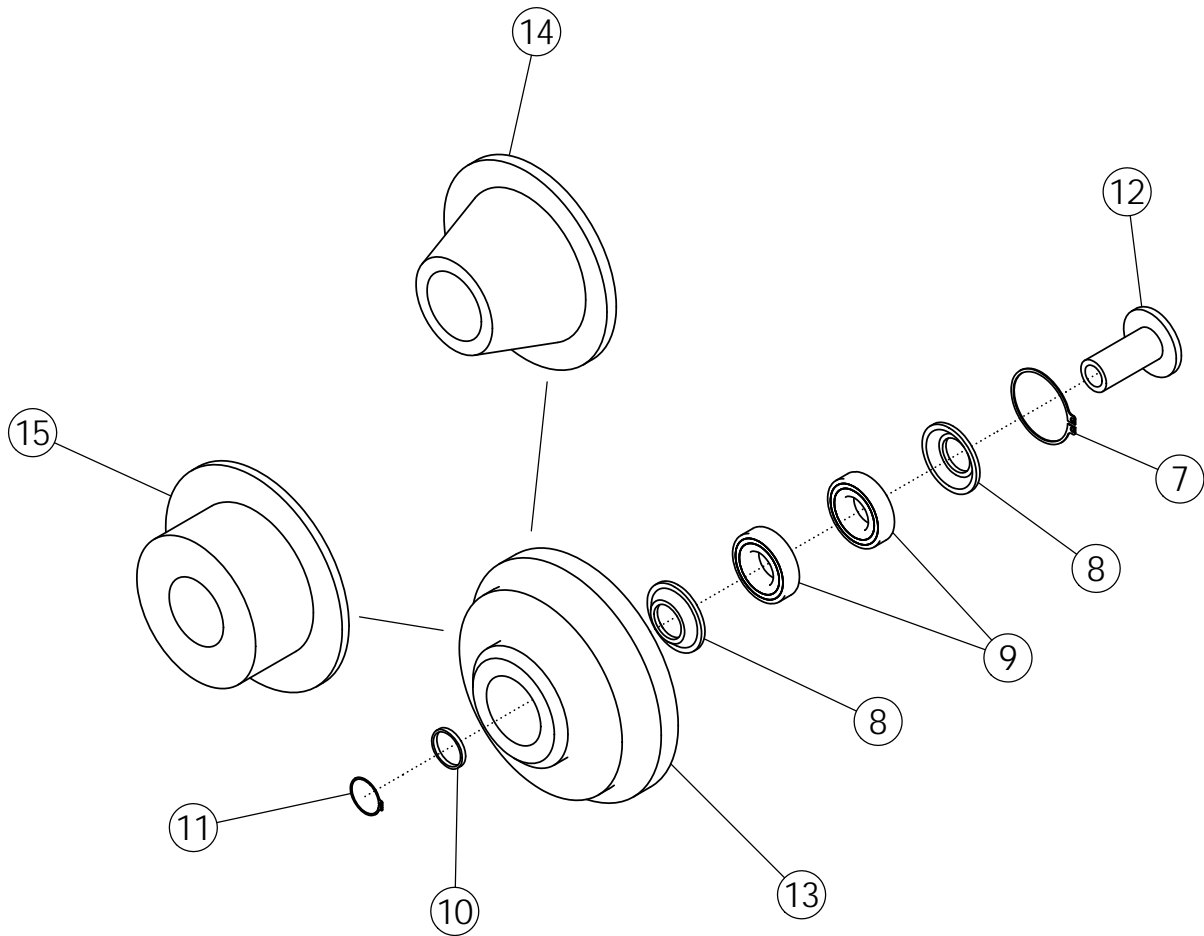
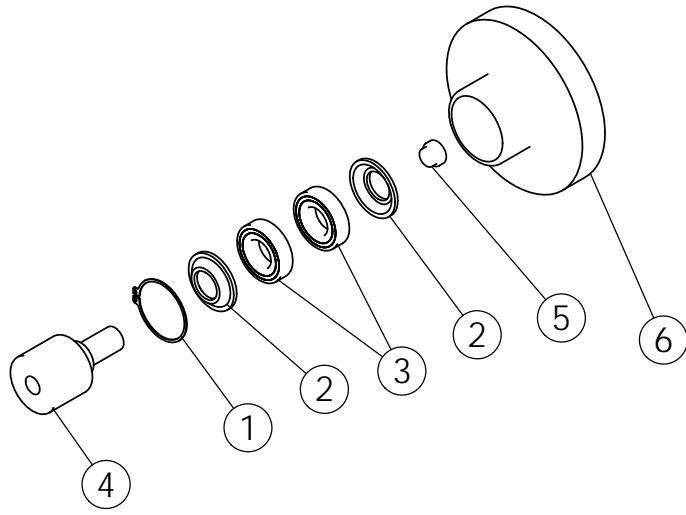
ITEM	PART NO.	DESCRIPTION	QTY
4	56851*	ROLLER-IDLER	1
5	58806	BEARING-IDLER	1
6	58805	SNAP-RING	1

*COMES WITH ITEMS 5 &6



REVERSE PULLEY #301822

ITEM	PART NO.	DESCRIPTION	QTY
1	301823	WLDMT-REVERSE PULLEY	1
2	56399	BALL-INSERT 1-3/4"	2
3	56400	RETAINING RING	2

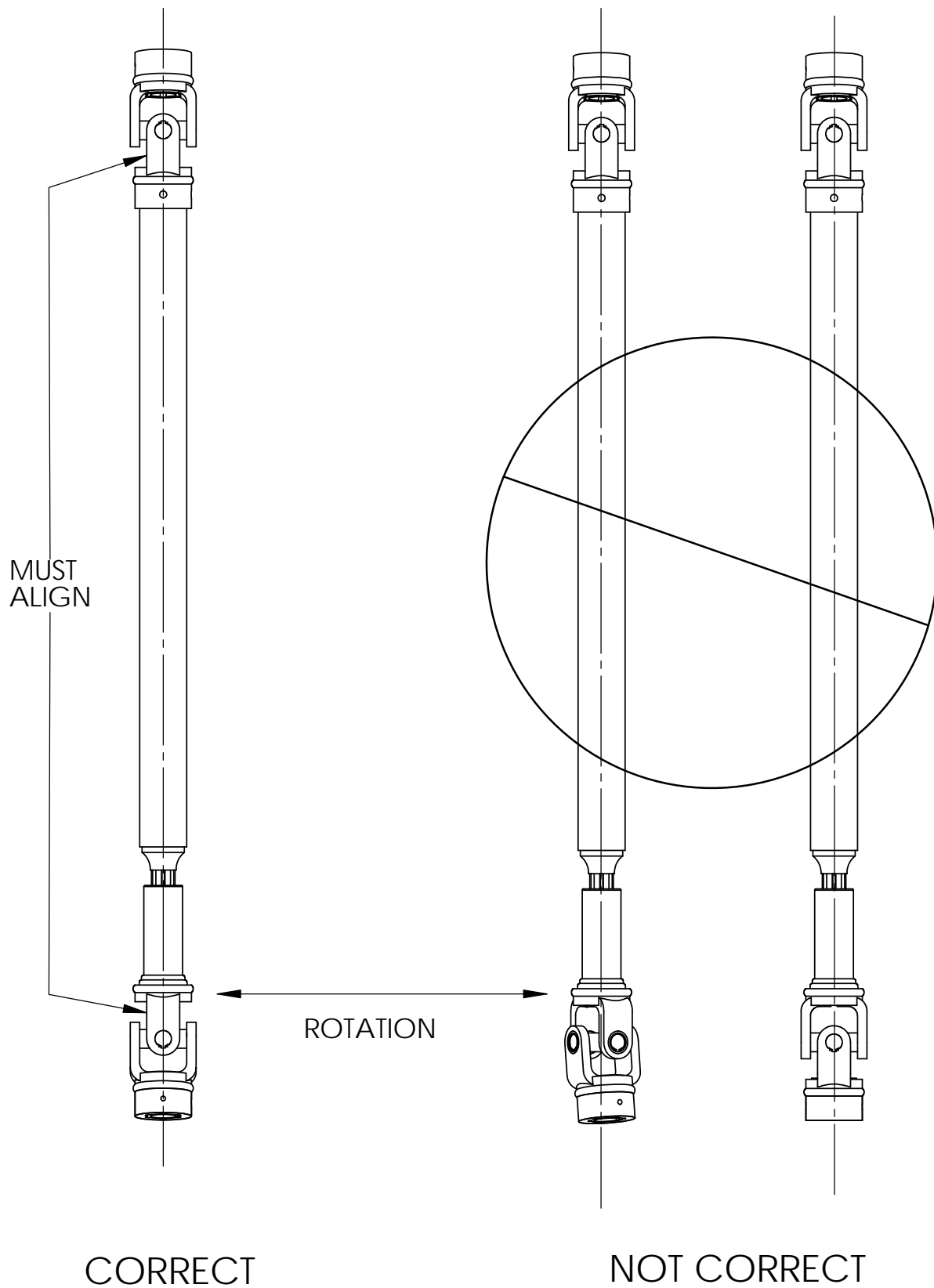


ROLLERS

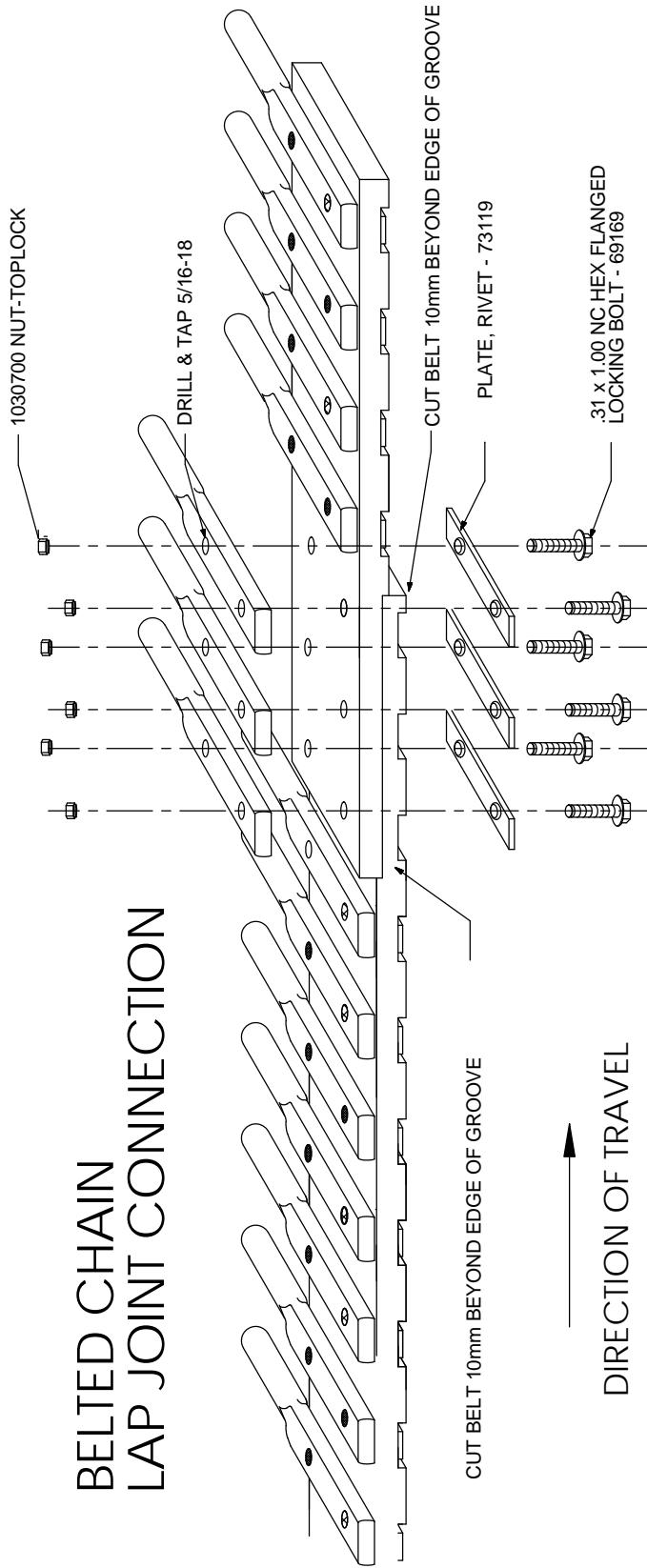
ITEM	PART NO.	DESCRIPTION	QTY
1	54151	SNAP RING SR11	1
2	54152	WASHER	2
3	54108	BEARING 2"	2
4	56885	STUB SHAFT LONG	1
5	62702	STUB SHAFT SHORT	1
6	54042**	ROLLER-STEP 6"	1
* *COMES WITH ITEMS 1-5			
7	54151	SNAP RING SR11	1
8	54152	WASHER	2
9	54108	BEARING 2"	2
10	54153	SPACER-NRS	1
11	54154	SNAP RING SR3	1
12	56889	STUB SHAFT	1
13	53951*	ROLLER-STEP FLANGE 7"	1
12	54155	STUB SHAFT	1
14	53950*	ROLLER-CONE 6"	1
12	54155	STUB SHAFT	1
15	59057*	ROLLER-RUBBER FLANGE 6.5"	1

* COMES WITH ITEMS 7-12

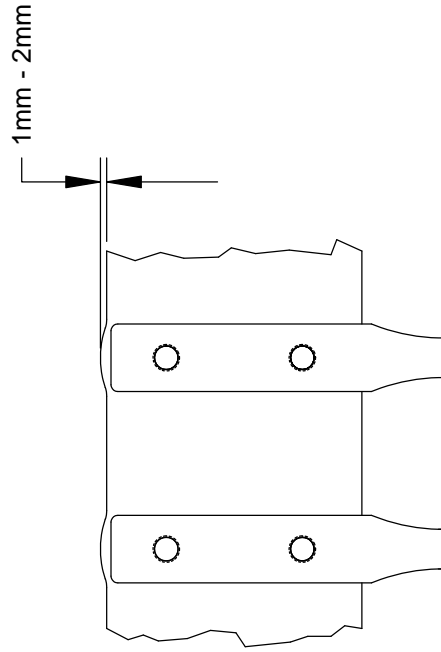
SCRUB DRIVELINE ASSEMBLY



BELTED CHAIN LAP JOINT CONNECTION



WARNING : ENSURE THAT SCREWS ARE SUFFICIENTLY TIGHT TO PRODUCE A BULGE AT THE EDGE OF THE BELT OF BETWEEN 1 AND 2mm (SEE DIAGRAM). FAILURE TO DO SO MAY CAUSE PREMATURE FAILURE AND VOID YOUR WARRANTY

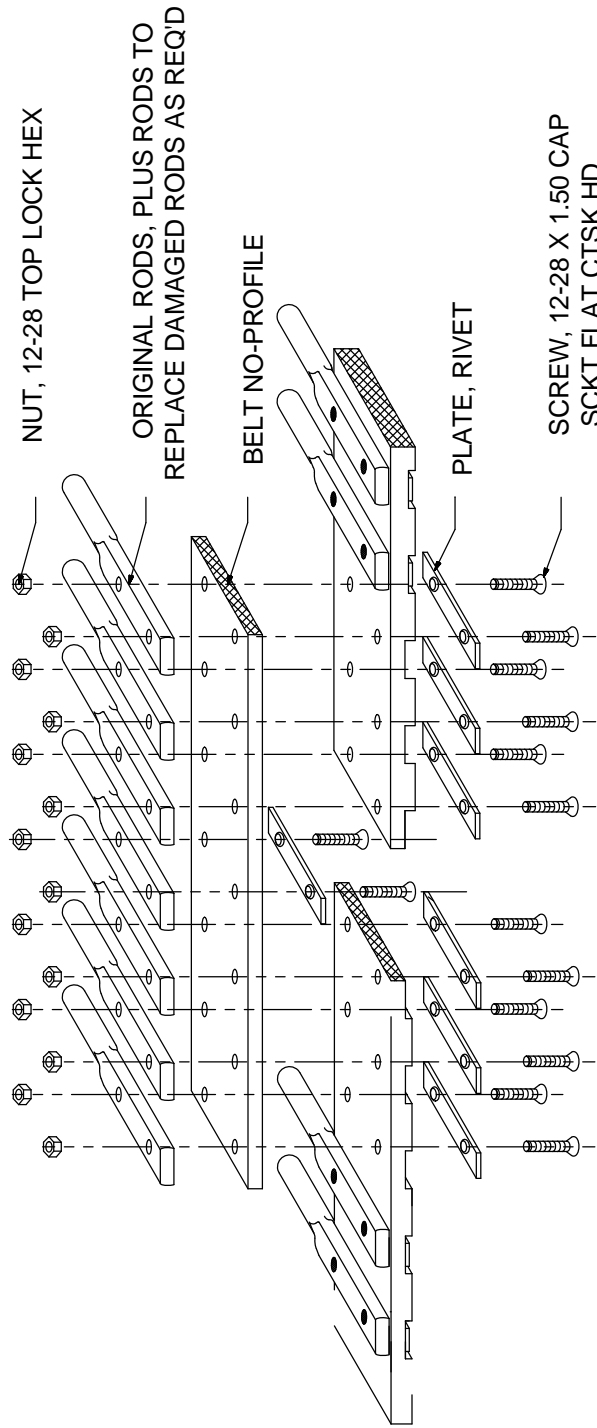


Elevator (Standard)				
Machine	Rod Diameter	ST	FLT	
6R/8R	0.5	73122	69336	
Elevator (Double)				
Machine	Rod Diameter	ST	FLT	
6R/8R	0.5	301528	301526	
Apron				
Machine	Rod Diameter	ST	UP	
6R22/8R22	0.5	73122	73123	
6R22/8R22	0.625	69660	69661	
6R30	0.625	64994	69953	

REPAIR KIT - BELTED CHAIN #69541

KIT CONSISTS OF:

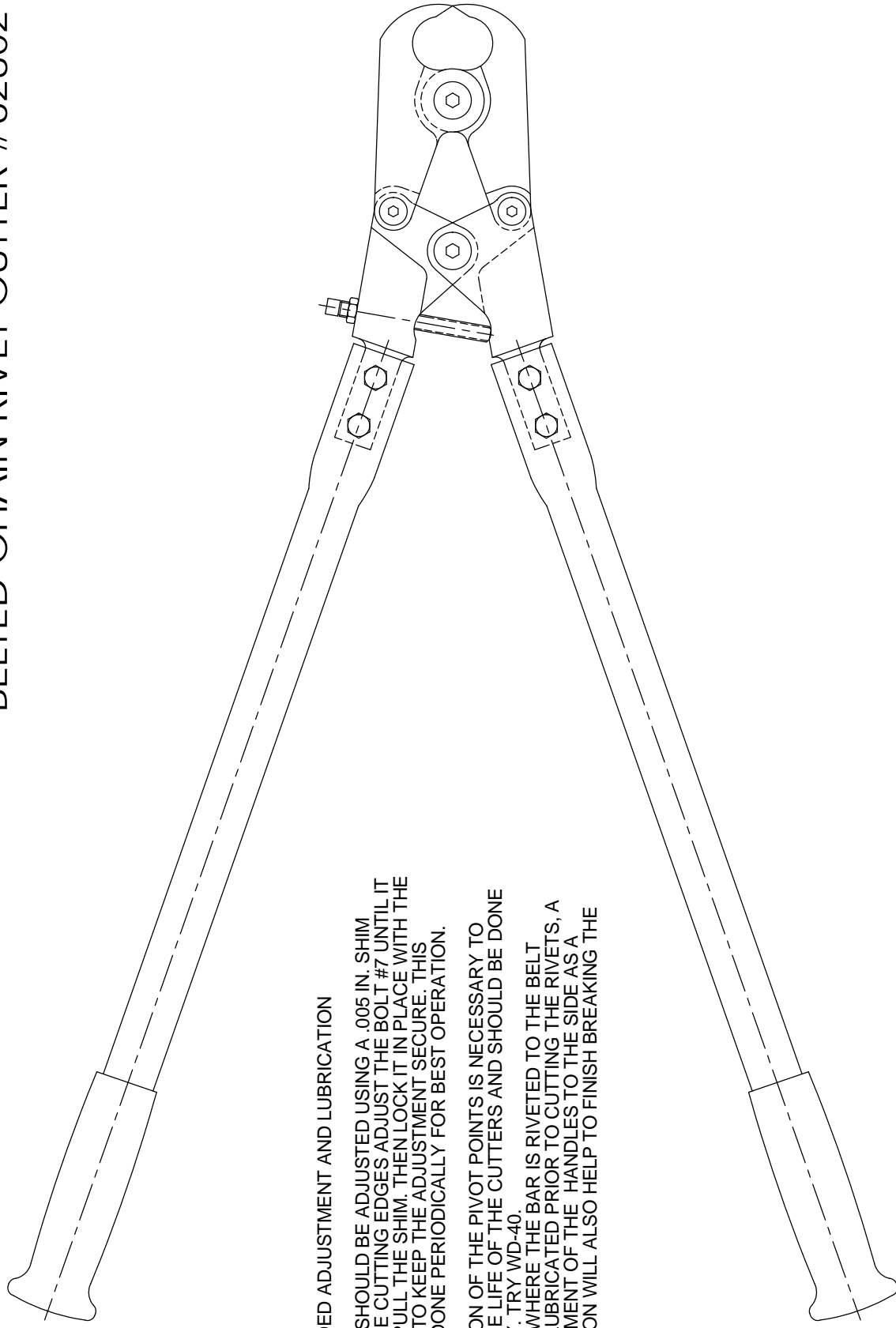
- 1.25 FT - BELT, NO-PROFILE
- 8 EA - PLATE, RIVET
- 16 EA - SCREW
- 16 EA - NUT



REPAIR PROCEDURE

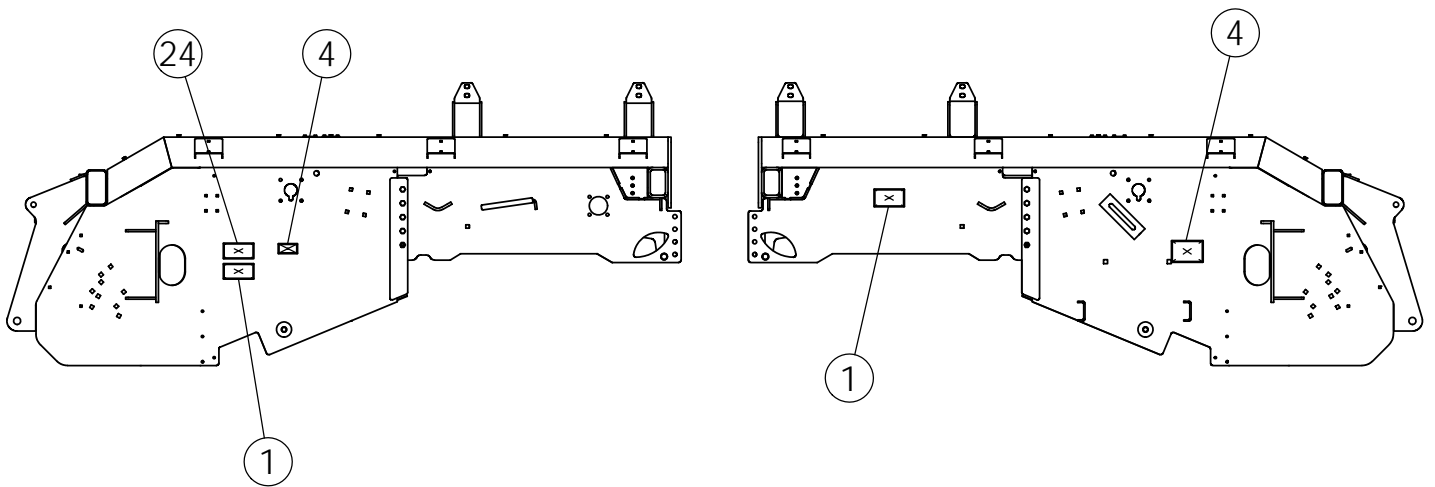
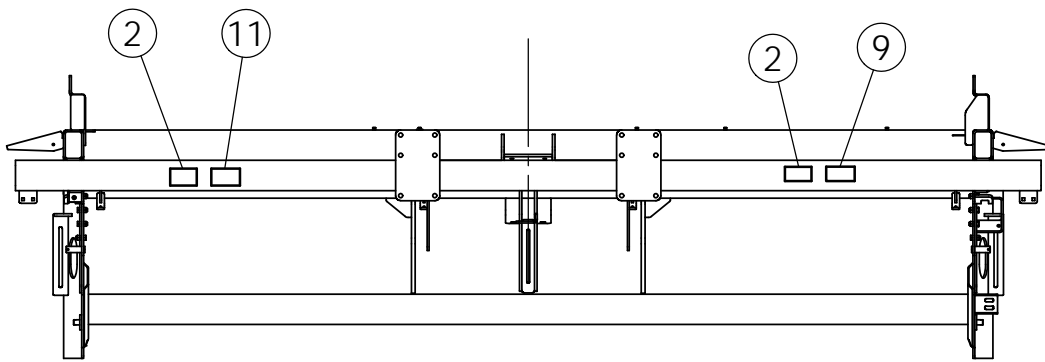
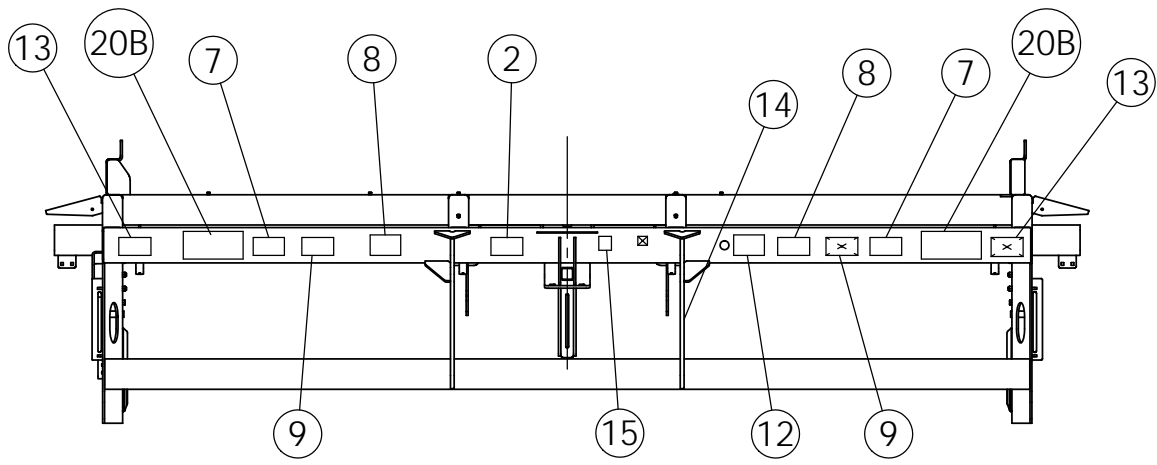
1. REMOVE RIVETS 3 PITCHES (MIN) EACH SIDE OF DAMAGED BELT.
2. TRIM OUT DAMAGED BELT.
3. CUT NO-PROFILE BELT TO GIVE MINIMUM OF 3 PITCHES OVERLAP BOTH SIDES OF DAMAGE.
4. LAY NO-PROFILE BELT ON BELT TO BE REPAIRED AND DRILL HOLES TO MATCH PITCH.
5. ASSEMBLE AS SHOWN.
6. TIGHTEN SCREWS TO FORM APPROXIMATELY 2mm BELT SWELL AT BOLTED JOINT.
7. CUT OFF SCREWS NEXT TO NUTS.
8. PEEN SCREWS TO SECURE NUTS.

BELTED CHAIN RIVET CUTTER #62802



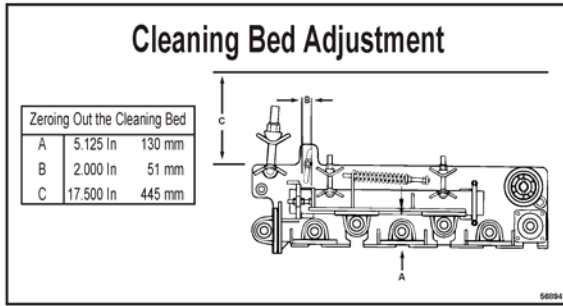
RECOMMENDED ADJUSTMENT AND LUBRICATION

1. THE JAWS SHOULD BE ADJUSTED USING A .005 IN. SHIM BETWEEN THE CUTTING EDGES. ADJUST THE BOLT #7 UNTIL IT IS HARD TO PULL THE SHIM. THEN LOCK IT IN PLACE WITH THE LOCKNUT #8 TO KEEP THE ADJUSTMENT SECURE. THIS SHOULD BE DONE PERIODICALLY FOR BEST OPERATION.
2. LUBRICATION OF THE PIVOT POINTS IS NECESSARY TO PROLONG THE LIFE OF THE CUTTERS AND SHOULD BE DONE FREQUENTLY. TRY WD-40.
3. THE AREA WHERE THE BAR IS RIVETED TO THE BELT SHOULD BE LUBRICATED PRIOR TO CUTTING THE RIVETS. A LITTLE MOVEMENT OF THE HANDLES TO THE SIDE AS A PRYING ACTION WILL ALSO HELP TO FINISH BREAKING THE RIVET.



DECALS

1 56894 QTY 2



2 53747 QTY 4



3 53746 QTY 1



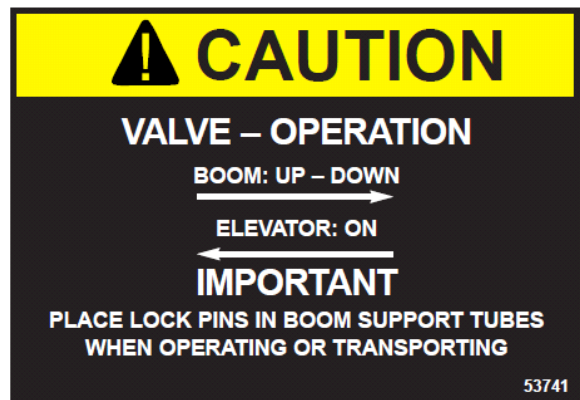
4 52341 QTY 3



5 53740 QTY 1



6 53741 QTY 1



7 52334 QTY 2



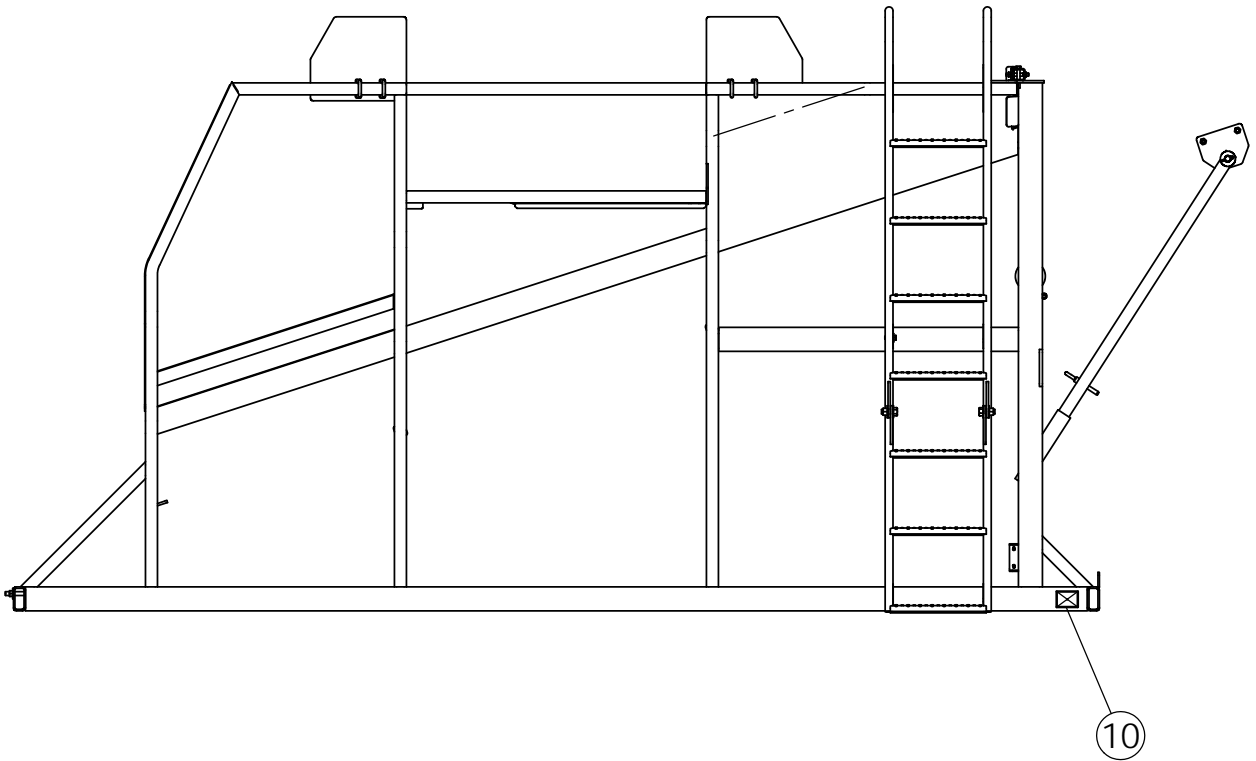
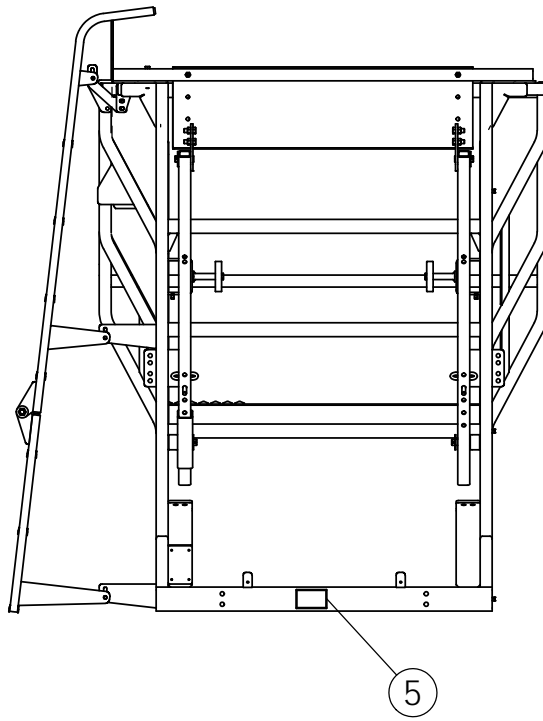
8 52329 QTY 2



9 52338 QTY 5



CONTINUED



DECALS (CONTINUED)

10 59613 QTY 1



CAUTION

To Avoid Injury While Using Ladder:

- While climbing ladder, use both hands to maintain balance.
- Remain facing the ladder while moving up or down.
- Do not reach to the sides while on ladder.
- See operator's manual for other safety information.

59613

11 59614 QTY 1



CAUTION

To Avoid Injury Due to Falling:

- Climbing on this equipment is not recommended.
- Use ladder on opposite side to access equipment.
- Refer to operator's manual for other safety information.

59614

12 64616 QTY 1

IMPORTANT

- ENGAGE AND DISENGAGE THE PTO DRIVE OF THIS MACHINE ONLY AT IDLE
- ALWAYS OPERATE THE PTO AT 1000 RPM WHEN MACHINE IS IN USE
- UNDER NORMAL OPERATING CONDITIONS, NEVER THROTTLE BELOW 1000 PTO RPM UNTIL ALL BEETS ARE THROUGH THE MACHINE

64616

13 64617 QTY 2



DANGER

NEVER CRAWL OR WORK UNDER MACHINE UNLESS IT IS PROPERLY SUPPORTED.

64617

14 52339 QTY 1

WARNING

1. READ AND UNDERSTAND THE OPERATOR'S MANUAL BEFORE OPERATING THIS MACHINE.
2. DO NOT SERVICE OR ADJUST MACHINE UNTIL ALL MOVEMENT HAS STOPPED, TRACTOR ENGINE IS SHUT DOWN AND MACHINE IS SECURELY SUPPORTED.
3. KEEP OTHERS OFF MACHINE AND AT A SAFE DISTANCE DURING OPERATION.
4. KEEP ALL SHIELDS IN PLACE DURING OPERATION.
5. NEVER WEAR LOOSE CLOTHING WHEN WORKING AROUND MACHINE OR PTO DRIVELINE.
6. DISENGAGE PTO AND STOP TRACTOR ENGINE BEFORE LEAVING OPERATORS SEAT TO INSPECT, CLEAN, ADJUST OR SERVICE MACHINE.
7. FAILURE TO HEED WARNINGS MAY RESULT IN INJURY OR DEATH.

52339

15 62964 QTY 2

CAUTION




HIGH-PRESSURE FLUID HAZARD

To prevent serious injury or death:

- Relieve pressure on system before repairing or adjusting or disconnecting
- Wear proper hand and eye protection when searching for leaks. Use wood or cardboard instead of hands.
- Keep all components in good repair.

62964

16 64428 QTY 1

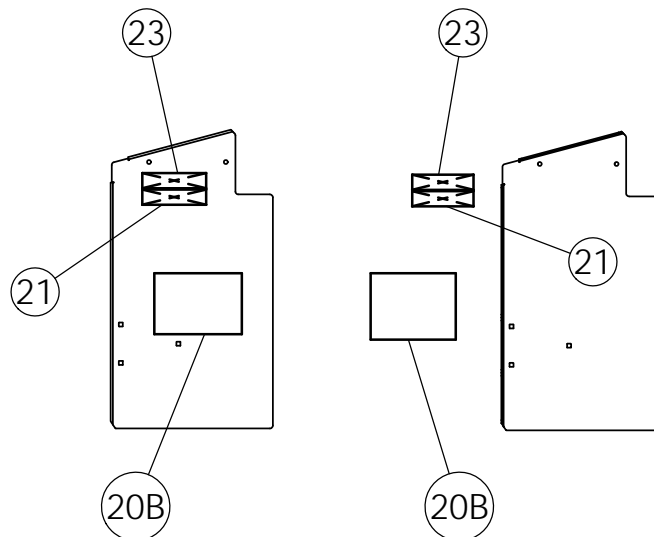
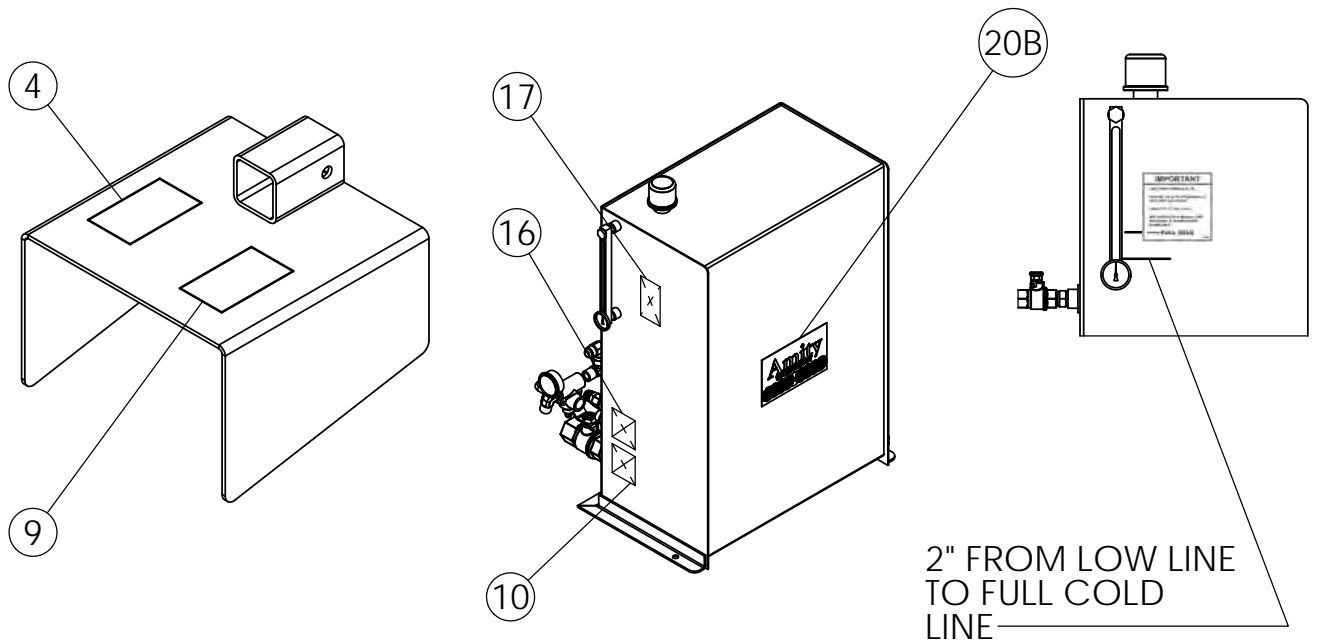
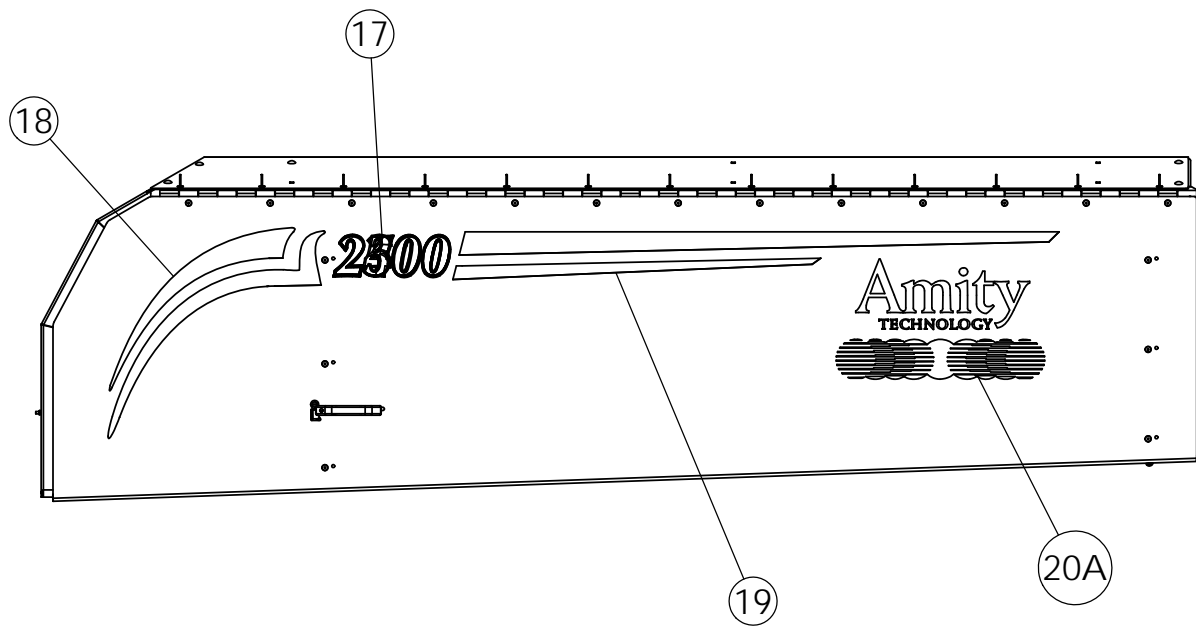
IMPORTANT

- USE 10W40 HYDRAULIC OIL
- CHANGE OIL & FILTER ANNUALLY OR EVERY 250 HOURS
- CAPACITY: 37 GAL (140 L)
- SEE OPERATOR'S MANUAL FOR PRESSURE & TEMPERATURE GUIDELINES

← **FULL COLD**

64428

CONTINUED



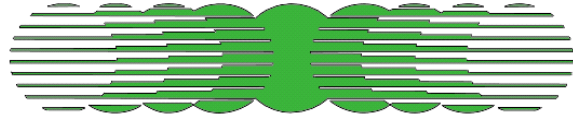
DECALS (CONTINUED)

17 69292 2500 QTY 1
69291 2400
69290 2300

20A 69399 QTY 2 LARGE LOGO
20B 63465 QTY 5 SMALL LOGO

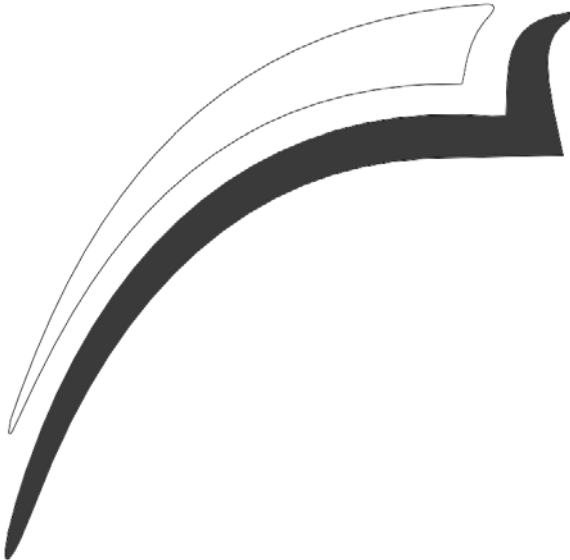
2400

Amity
TECHNOLOGY



18 69294 LH QTY 1
69297 RH QTY 1 NOT SHOWN

21 65330 QTY 2



22 65331 QTY 4



23 65332 QTY 2



19 69295 LH QTY 1 69298 RH NOT SHOWN QTY 1



24 62873 QTY 1

25 64429 QTY 1

Cleaning Bed Speed and Spring Adjustment

Spring Compression Adjustment				
B	13.50 In	34 cm		
C	8.50 In	22 cm		

Sheave A	Outside Diameter	Grabroll RPM	P/N (6R)	P/N (8R)
6.8"	7.15 In 182 mm	606	56647	57681
6.2	6.55 In 166 mm	552	56646	57680
5.6"	5.95 In 151 mm	500	53668	57679

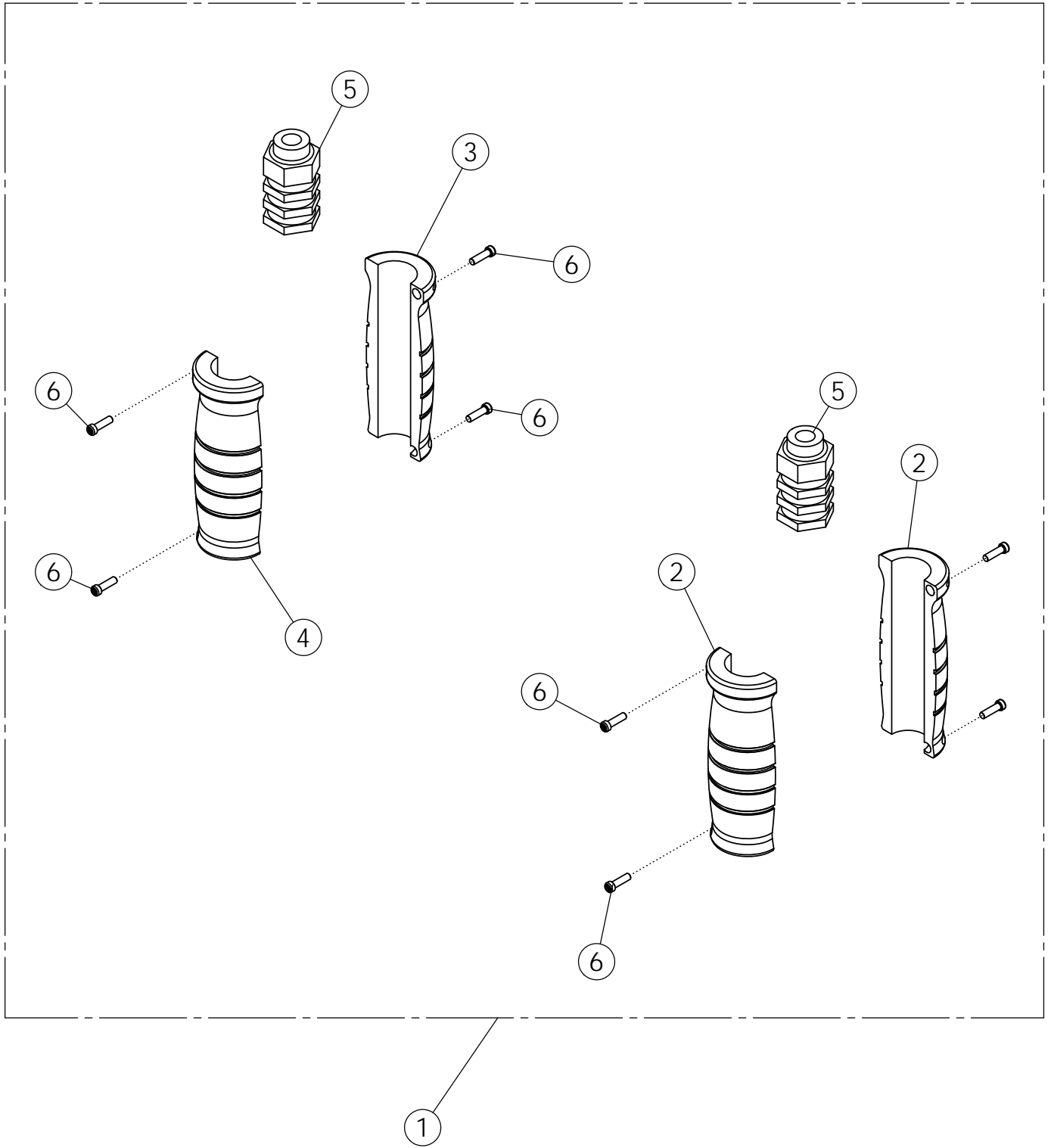
* Available from your authorized WIC dealer

62873

WARNING

HIGH PRESSURE FLUID HAZARD
TO PREVENT SERIOUS INJURY OR DEATH:
• BALL VALVE MUST BE OPEN WHILE OPERATING THIS EQUIPMENT

64429



HYDRAULIC LABEL ASSY

ITEM	PART NO.	DESCRIPTION	QTY
1	301920*	HYD LABEL: .50 ORANGE/GRAY SET	1
	301902*	HYD LABEL: .50 BLUE/GRAY SET	
	301917*	HYD LABEL: .50 YELLOW/GRAY SET	
	301914*	HYD LABEL: .50 GREEN/GRAY SET	
	301911*	HYD LABEL: .50 BLACK/GRAY SET	
	301908*	HYD LABEL: .50 RED/GRAY SET	
	302230*	HYD LABEL: .50 RED/GREEN SET	
	302226*	HYD LABEL: .50 BLACK/ORANGE SET	
	302227*	HYD LABEL: .50 BLUE/YELLOW SET	
	301923*	HYD LABEL: .75 GREEN/GRAY SET	
	301928*	HYD LABEL: .75 YELLOW/GRAY SET	
2		HYD LABEL: .50 HALF EXTEND	2
		HYD LABEL: .75 HALF EXTEND	
3		HYD LABEL: .50 HALF RETRACT	1
		HYD LABEL: .75 HALF RETRACT	
4		HYD LABEL: .50 GRAY HALF RETRACT	1
		HYD LABEL: .75 GRAY HALF RETRACT	
5		HYD LABEL: .50 CORE M & F O-RING	2
		HYD LABEL: .75 CORE M & F O-RING	
6		HYD LABEL: SET SCREW	8

* COMES WITH ITEMS 2 THRU 6