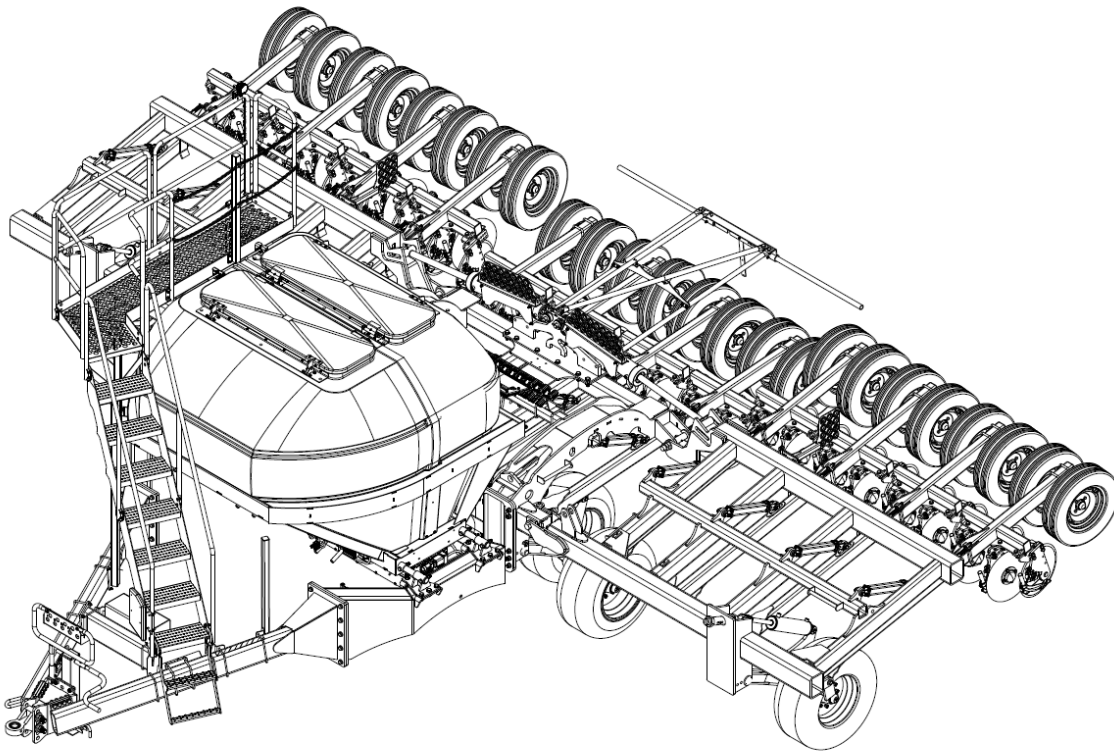


# Amity

TECHNOLOGY



## PARTS MANUAL



Narrow Transport

# Single Disc Drill

Amity Technology, LLC  
2800 7th Avenue North  
Fargo, ND 58102  
(701) 232-4199  
[www.amitytech.com](http://www.amitytech.com)

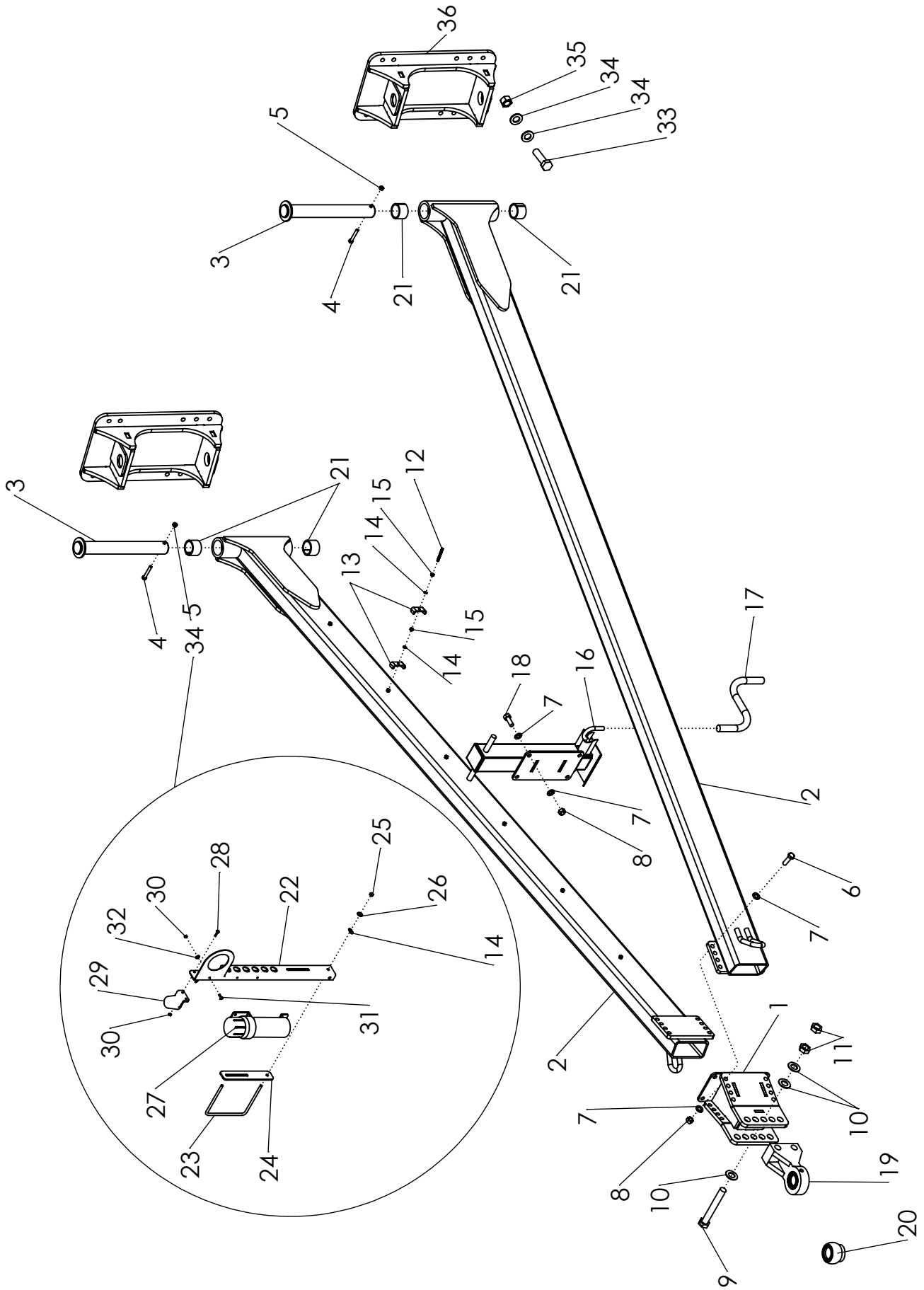
P/N 322041D

This page intentionally left blank



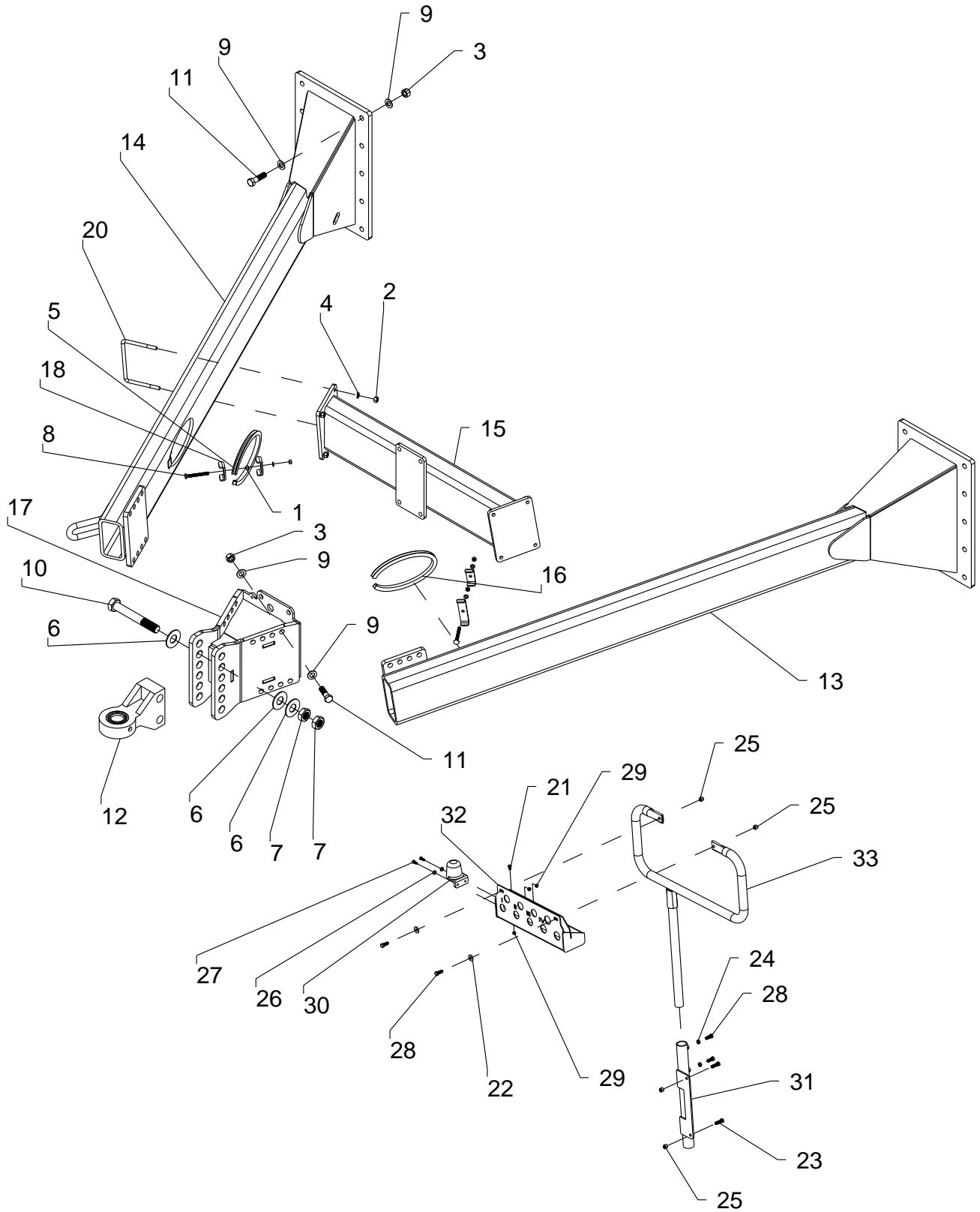
# Table of Contents

Frame .....	4
Hydraulic System .....	38
Electrical System .....	48
Row Units .....	62
Application System .....	78
Spindles and Wheels .....	94



## FRONT HITCH ASSEMBLY (NO HOPPERS)

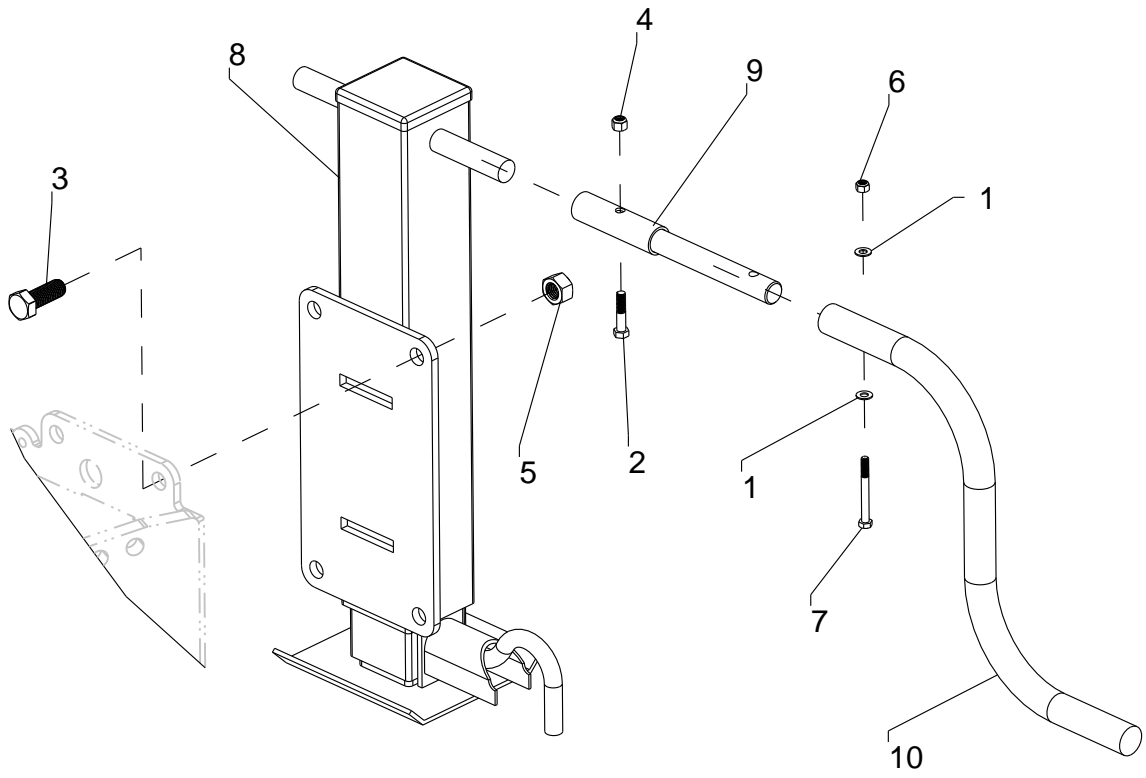
ITEM	PART NO.	QTY	DESCRIPTION
1	PA33354	1	WLDMT, HITCH
2	PA35168	2	WLDMT-DRAWPOLE
3	PA33462	2	PIN,WELD DRAWPOLE
4	P88541	2	BOLT-HEX: .50 X 3.00 NC GR5 ZP
5	P88661	2	NUT-TOPLOCK: .50 NC GR5 ZP
6	P89389	16	BOLT-HEX: .75 X 2.50 NC GR8 ZP
7	P89509	40	WASHER-FLAT: SAE .75 YZP GR8
8	P89080	20	NUT-HEX: .75 NC GR8 ZP
9	P89511	2	BOLT-HEX: 1.25 X 9.00 NC GR 8 ZP
10	P88602	6	WASHER-FLAT: SAE 1.25 YZP GR8
11	P88622	4	JAM NUT, 1.25 DIA., GR. 8 YZNC
12	PA65379	12	STUD: .375 X 3.00 UNC ZP
13	P50714	18	CLAMP 1/2" ZP
14	P88362	18	WASHER-LOCK: .38 ZP
15	P88103	18	NUT-HEX: .38 NC GR2 ZP
16	P320628	1	WLDMT-SDD 10K JACK
17	P330014	1	HANDLE-10K JACK W/HRDWR (BLACK)
18	P88604	4	BOLT-HEX: .75 X 2.00 NC GR5 ZP
19	P320968	1	BULL PULL W/2.00" INSERT CAT 4
20	P320969	1	BULL PULL 1.50" INSERT CAT 4
	P320971		BULL PULL 2.00" INSERT CAT 4
21	PA33372	4	BUSHING 3.00 X 2.50 X 2.00
22	P236142	1	FORMED CHANNEL-HYD HOSE BRKT
23	PA64244	1	U-BOLT: .375 X 7 X 8.063 X 7
24	P241777	1	BACKING PLATE
25	P88103	2	NUT-TOPLOCK: .38 NC GR5 ZP
26	P88282	2	WASHER-FLAT .38 ZP
27	P234313	2	STORAGE TUBE-OWNERS MANUAL
28	P88203	2	BOLT-HEX: .25 X 1.00 NC GR5 ZP
29	P223329	1	HOLDER-LIGHT PLUG
30	P89501	2	NUT-TOPLOCK: .25 NC GR5 ZP
31	P88993	2	BOLT-HEX: .25 X .75 NC GR5 ZP
32	P88261	2	WASHER-FLAT: .25 ZP
33	P89513	20	BLT HEX 3/4-10UNC X 2-3/4 8YZ
34	P89509	40	WASHER-FLAT: SAE .75 8YZ
35	P88665	20	NUT TOP LK 3/4-10UNC 5Z
36	P321402	2	WLDMT-DRAWPOLE MT



M5165-C

## FRONT HITCH

ITEM	PART NO.	QTY	DESCRIPTION
1	P88103	4	NUT HEX 3/8-16NC 5Z
2	P88104	8	NUT HEX 1/2-13NC 5Z
3	P88140	36	NUT TOP LK 3/4-10NC 8Z
4	P88303	8	WSHR HLK 1/2ID(9/16ACT) Z
5	P88362	4	WSHR HLK 3/8ID Z
6	P88602	6	WSHR FLAT 1-1/4(1-3/8 X 3ACT) Z
7	P88622	4	NUT JAM 1-1/4-7NC 5Z
8	P89475	2	BLT CRG 3/8-16NCX3-1/2 5Z
9	P89509	72	WASHER-FLAT: SAE .75 8 YZ
10	P89511	2	BLT HEX 1-1/4-7NC X 9 8Z
11	P89513	36	BLT-HEX 3/4-10NC X 2-3/4 8YZ
12	P320968	1	BULL PULL W/ 2.00" PIN INSERT CAT 4
	P320969	AR	BULL PULL 1.50" INSERT CAT 4 (NOT SHOWN)
	P320971	AR	BULL PULL 2.00" INSERT CAT 4 (NOT SHOWN)
13	P321092	1	WLDMT-NT HITCH DRAWBAR LH
14	P321093	1	WLDMT-NT HITCH DRAWBAR RH
15	P321096	1	WLDMT-NT HITCH CROSSMEMBER
16	P321864	2	TRIM-BLACK .50 24 INCH
17	P321958	1	WLDMT-NT DROP HITCH
18	PA50714	3	CLAMP 1/2" ZP
19	PA65814	1	CLAMP-HOSE: 4.375 ZP
20	PA66152	4	U-BOLT: .50 X 5.50 X 8.00 X 5.50
21	P88190	2	BLT HEX 1/4-20NC X 1/2 5Z
22	P88282	2	WSHR FLAT 3/8(7/16X1ACT) Z
23	P88555	2	BOLT HEX 3/8-16NC X 1-1/4 5Z
24	P88564	2	NUT JAM 3/8-16NC 5Z
25	P88626	4	NUT NLK 3/8-16NC 5Z
26	P88855	2	WSHR FLAT 1/4SAE(9/32 X 5/8ACT) Z
27	P88993	2	BLT HEX 1/4-20NC X 3/4 5Z
28	P89034	4	BLT HEX 3/8-16NC X 1 5Z
29	P89501	4	NUT TOP LK 1/4-20NC 5Z
30	P223329	1	PLUG HOLDER
31	P321873	1	WLDMT-HOSE CRADLE MNT
32	P321922	1	WLDMT-NT HYD HOSE HOLDER
33	PA65887	1	WLDMT-CRADLE HOSE SUPPORT
34	P238225	1	40K SAFETY CHAIN (NOT SHOWN)

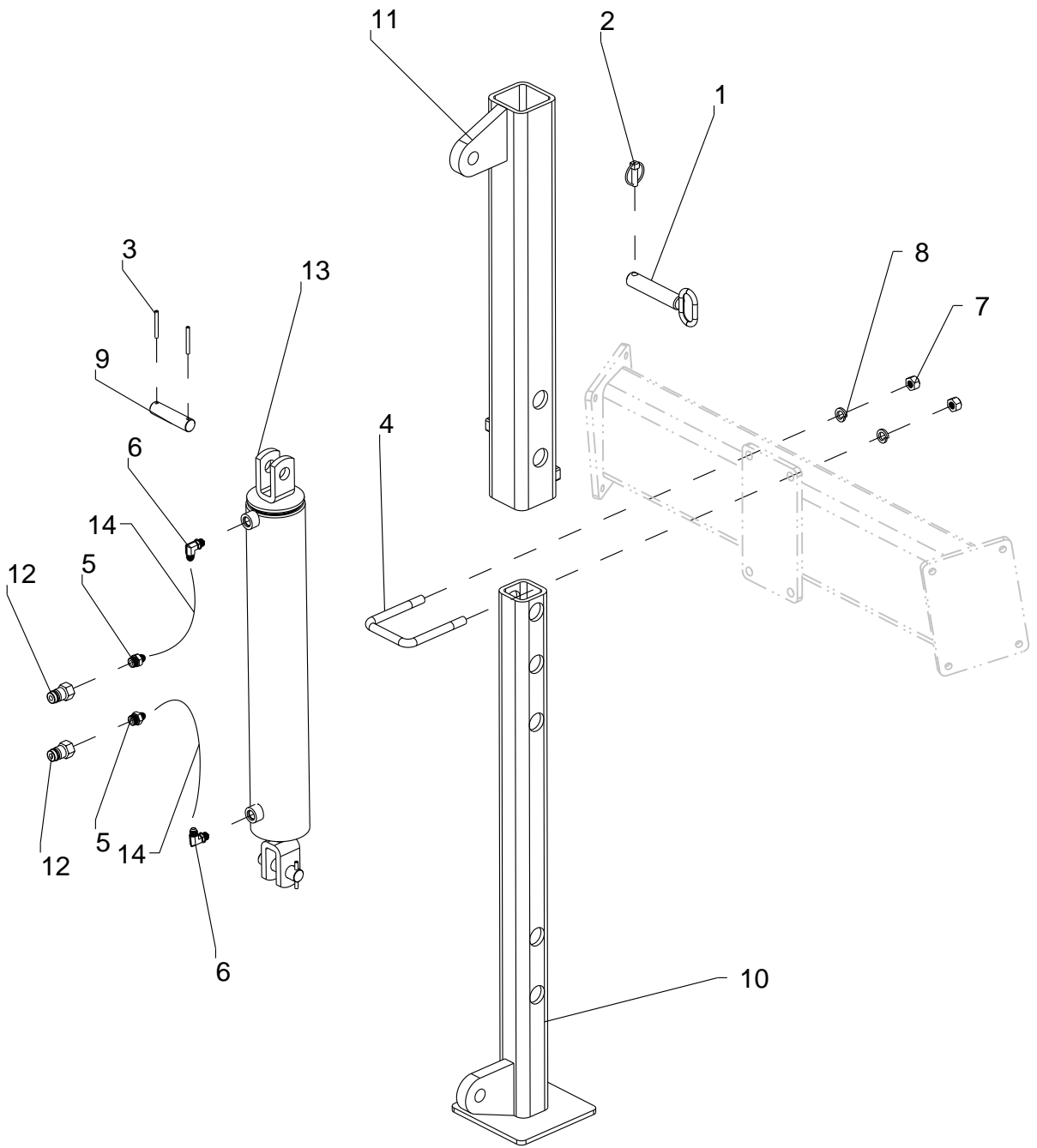


M5218-A

## MANUAL JACK

SN: THRU 463752

ITEM	PART NO.	QTY	DESCRIPTION
1	P88278	2	WSHR FLAT 5/16(3/8 X 7/8ACT) Z
2	P88567	1	BLT HEX 3/8-16NC X 1-3/4 5Z
3	P88604	4	BLT HEX 3/4-10NC X 2 5Z
4	P88626	1	NUT NLK 3/8-16NC 5Z
5	P88665	4	NUT TOP LK 3/4-10NC 5Z
6	P88832	1	NUT TOP LK 5/16-18NC 5Z
7	P89005	1	BLT HEX 5/16-18NC X 3 5Z
8	P320628	1	WLDMT-SDD 10K JACK
9	P321862	1	WLDMT-JACK HANDLE EXTENSION
10	P330014	1	HANDLE-10K JACK



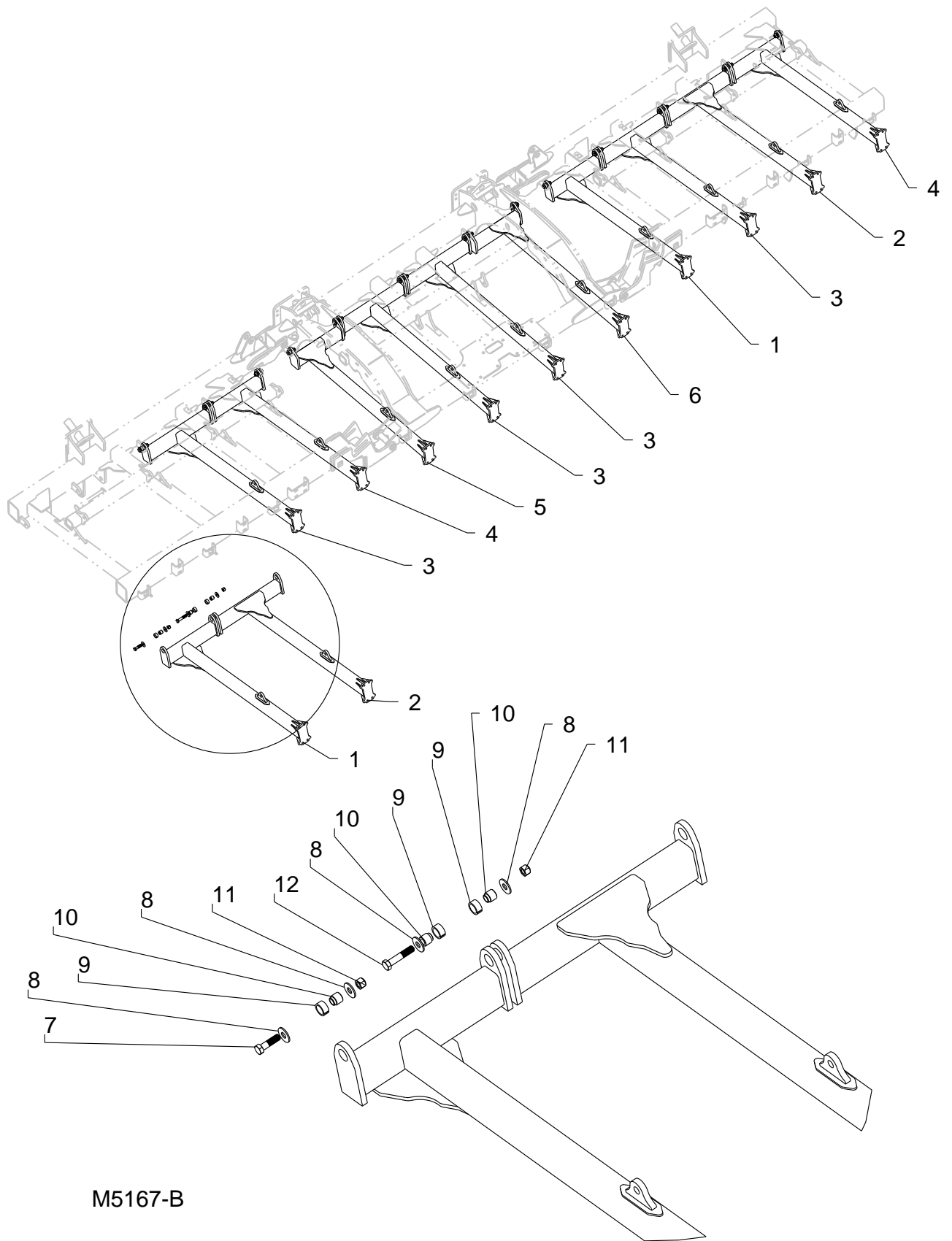
M5217-A



## HYDRAULIC JACK

SN: 463753 & UP

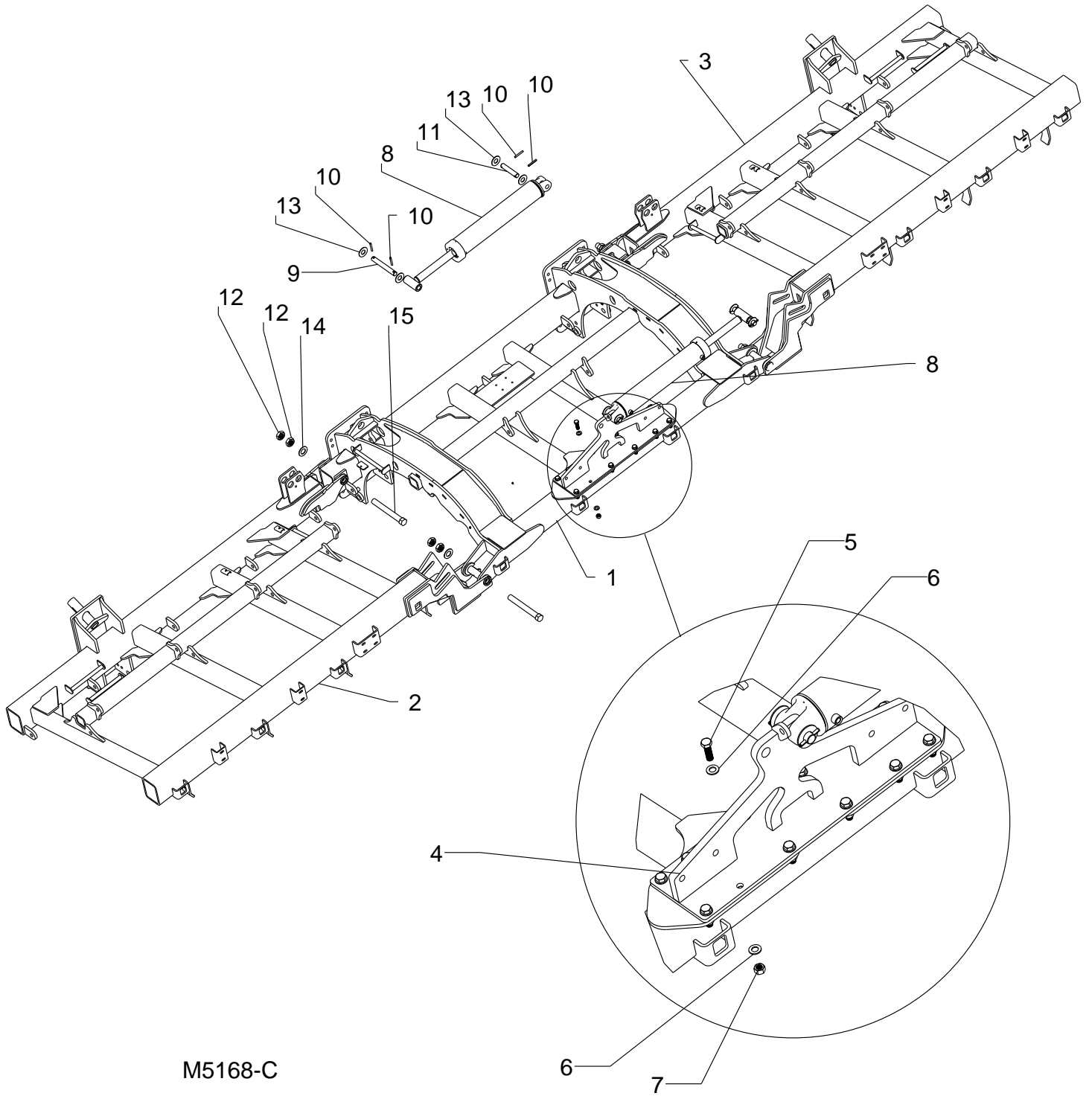
ITEM	PART NO.	QTY	DESCRIPTION
1	P23011	1	HITCH PIN 1-1/8X4-3/4
2	P32990	1	PIN,CLICK 7/16X1-1/2
3	P42484	4	PIN ROLL 1/4 X 2-1/4 Z
4	P45633	1	BLT-U 5/8-11NC X 4 X 5-1/2 Z
5	P58543	2	ADP 8 MORB X 6MJ
6	P61239	2	ELB 6MORB X 6MJ
7	P88126	2	NUT-HEX 5/8-11NC 5Z
8	P88129	2	WSHR HLK 5/8ID (11/16ACT) Z
9	P221714	2	HEADLESS PIN(2) 1X4.00
10	P239727	1	JACK LEG WELDMENT
11	P239728	1	JACK TUBE WELDMENT
12	P247425	2	QUICK COUPLER 8 ORB
13	P51241F	1	HYD CYL 3X24
	P233729		SEAL KIT FOR P521241F
14	P238617	2	HYD HOSE: 1/4 X 120 6FJX-6FJX



M5167-B

## TOOLBAR ASSEMBLY-30NT

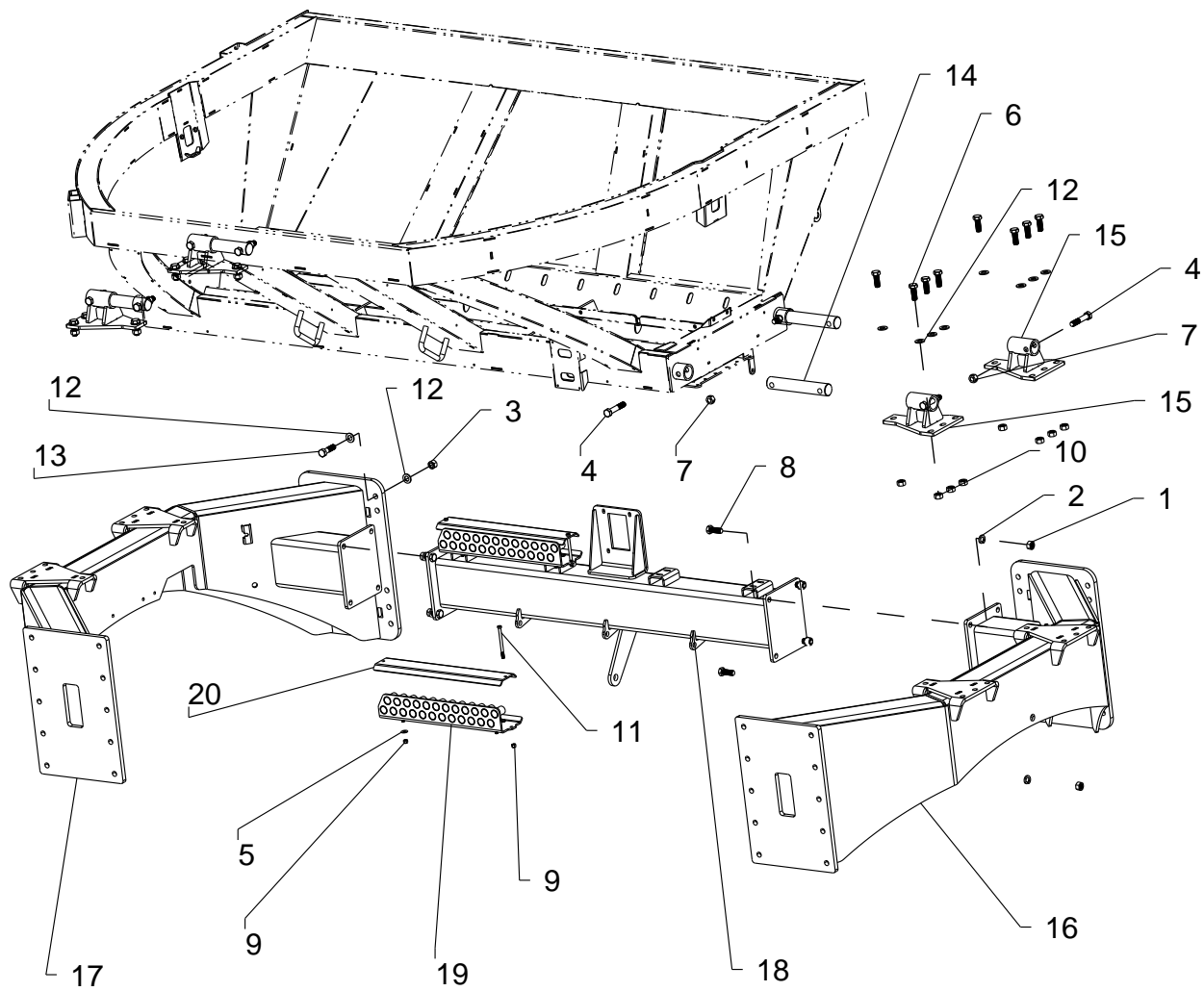
ITEM	PART NO.	QTY	DESCRIPTION
1	PA35601	2	WLDMT-TOOLBAR SHORT LH
2	P321450	2	WLDMT-TOOLBAR CENTER
3	PA35600	4	WLDMT-TOOLBAR CENTER
4	PA35602	2	WLDMT-TOOLBAR SHORT RH
5	P321449	1	WLDMT-TOOLBAR SHORT LH 3.5M
6	P321448	1	WLDMT-TOOLBAR SHORT RH 3.5M
7	P89513	6	BLT-HEX 3/4-10NC X 2-3/4 8YZ
8	P88139	30	WSHR FLAT 3/4 (13/16X2ACT) 8YZ
9	PA33434	24	BUSHING-SPLIT 1.63OD X 1.25ID X.75
10	PA33435	24	PIN-TOOL BAR PULL YZP
11	P88140	15	NUT TOP LK 3/4-10NC 8Z
12	P89514	9	BLT HEX 3/4-10NC X 3-3/4 8YZ



M5168-C

## FRAME & LIFT WING ASSEMBLY

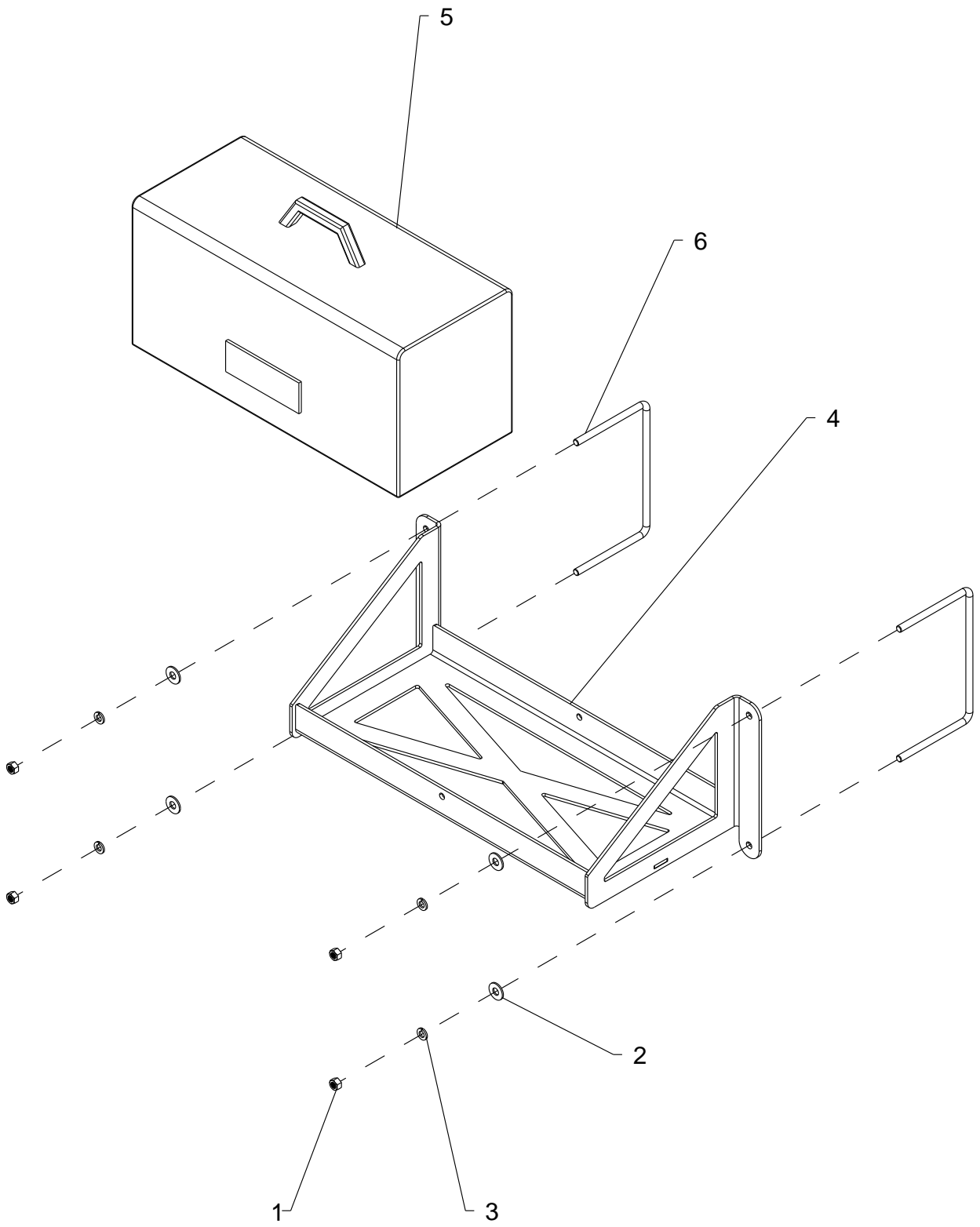
ITEM	PART NO.	QTY	DESCRIPTION
1	P320868	1	WLDMT-MAIN FRAME 3.5M SDD
2	P320869	1	WLDMT-WING LH 3.5M SDD
3	P320870	1	WLDMT-WING RH 3.5M SDD
4	P321399	1	WLDMT-MF CYL MT 3.5M
5	P89389	12	BLT HEX 3/4-10NC X 2-1/2 8YZ
6	P89509	24	WASHER-FLAT: SAE .75 8 YZ
7	P88665	12	NUT TOP LK 3/4-10NC 5Z
8	P320984	2	CYL-HYD: 50WD26-200 (2.0 ROD)
9	P321666	2	PIN-WING 1.25 X 9.5 ZP
10	P88771	8	PIN ROLL 3/8DIA X 3 Z
11	PA35325	2	PIN-WING 1.25 X 6.375 ZP
12	P88623	8	NUT JAM 1-1/2-6NC 5Z
13	P88602	8	WSHR FLAT 1-1/4SAE(1-3/8 X 3) Z
14	P88610	4	WSHR FLAT 1-1/2SAE(1-9/16 X 3) Z
15	P320598	4	BOLT-HEX: 1.50X12.00 SPECIAL
16	PA35916	2	PIN-SDD WING LOCK ZP (NOT SHOWN)
17	P915402	2	PIN-5/16 X 2-3/4 LYNCH (NOT SHOWN)



M5198-B

## HOPPER FRAME

ITEM	PART NO.	QTY	DESCRIPTION
1	P88110	8	NUT HEX 3/4-10NC 5Z
2	P88130	8	WSHR HLK 3/4ID (13/16ACT) Z
3	P88140	20	NUT TOP LK 3/4-10NC 8Z
4	P88272	8	BLT HEX 3/4-10NCX4 5Z
5	P88282	8	WSHR FLAT 3/8(7/16X1ACT) Z
6	P88290	16	BLT HEX 3/4-10NCX2 8YZ
7	P88356	8	NUT 2POSLK 3/4-10NC 5Z
8	P88604	8	BLT HEX 3/4-10NC X 2 5Z
9	P88626	12	NUT NLK 3/8-16NC 5Z
10	P89080	16	NUT HEX 3/4-10NC 8YZ
11	P89194	4	BLT HEX 3/8-16NC X 5 5Z - 16 ROW
	P88412	4	BLT HEX 3/8-16NC X 3-1/2 5Z (NOT SHOWN)
12	P89509	56	WASHER-FLAT: SAE .75 8 YZ
13	P89513	20	BLT-HEX 3/4-10NC X 2-3/4 8YZ
14	P248033	4	SHAFT-1-7/8DIA BLANK
15	P321211	4	WLDMT-SCALE MOUNT
16	P321244	1	WLDMT-TANK FRAME LH
17	P321245	1	WLDMT-TANK FRAME RH
18	P321254	1	WLDMT-REAR FRAME CROSSMEMBER
19	P321739	2	WLDMT-HOSE MNT STATIONARY - 16 ROW
	P356596	2	WLDMT-HOSE MNT STATIONARY - 8 ROW (NOT SHOWN)
20	P321763	2	PLATE-SEED HOSE CLAMP

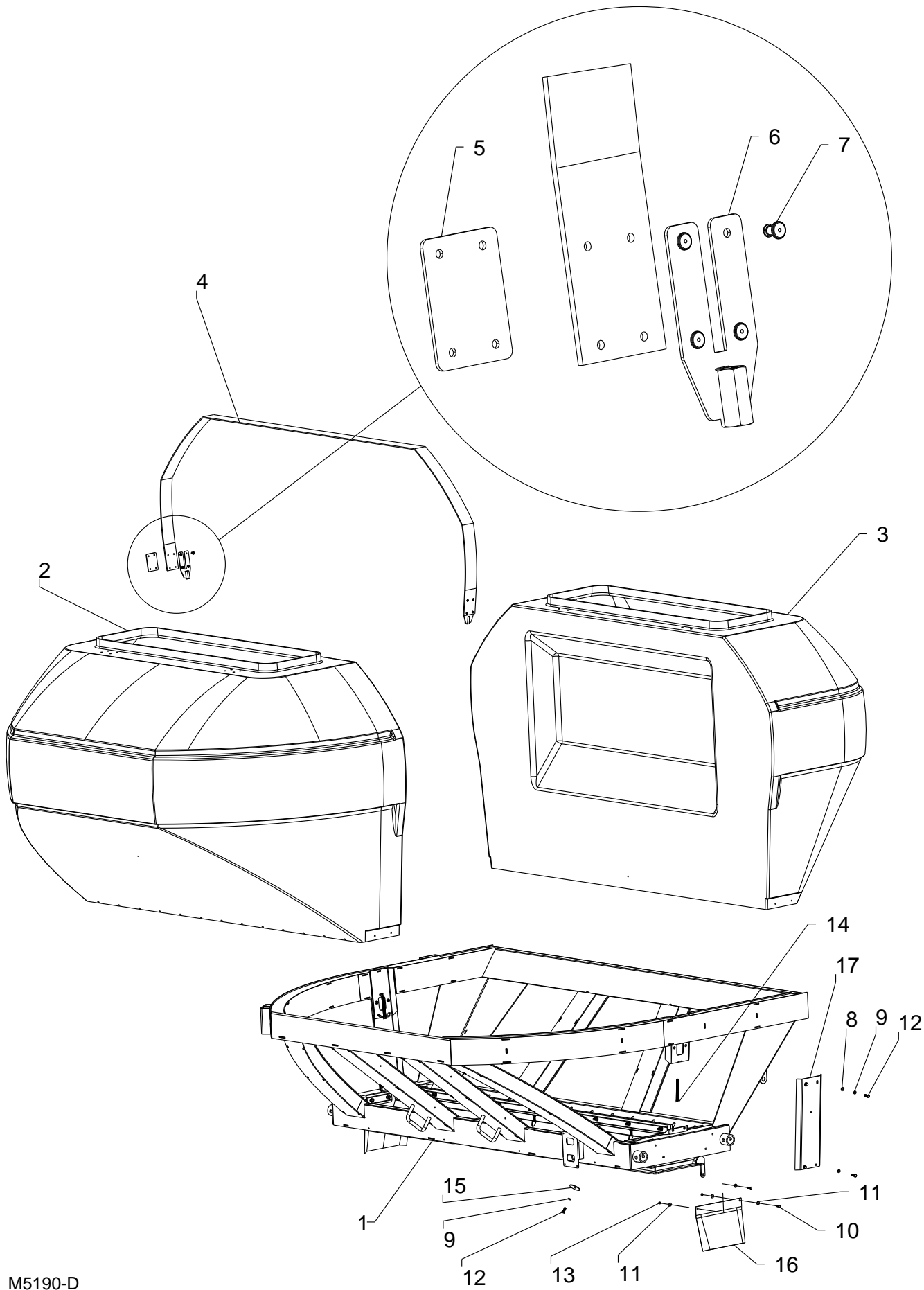


M5197-B



## TOOLBOX ASSEMBLY

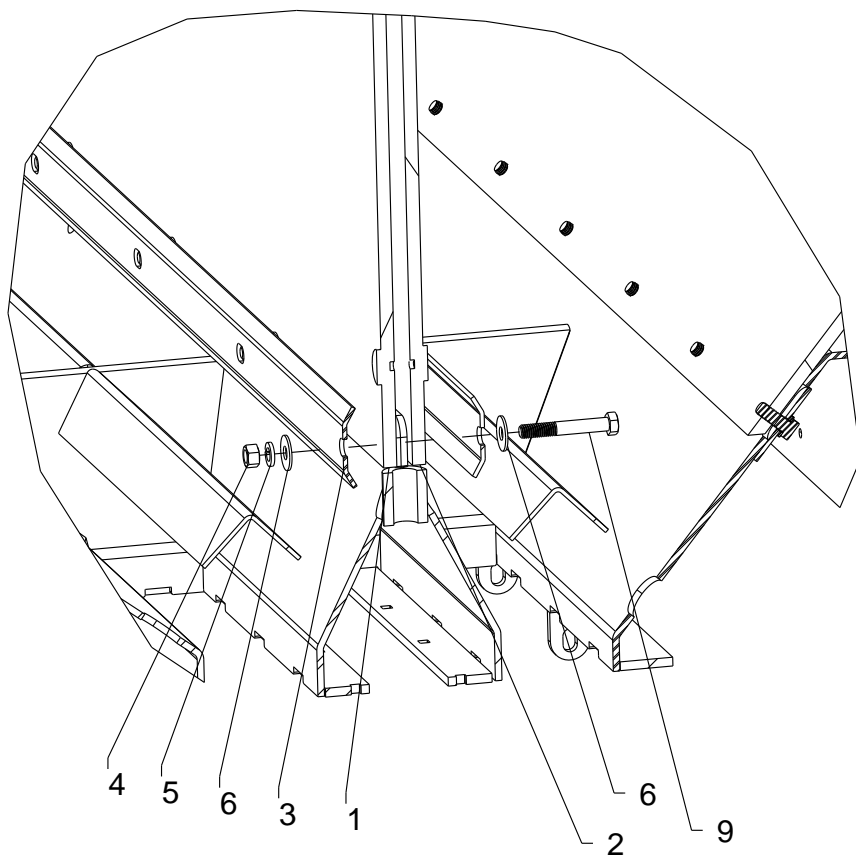
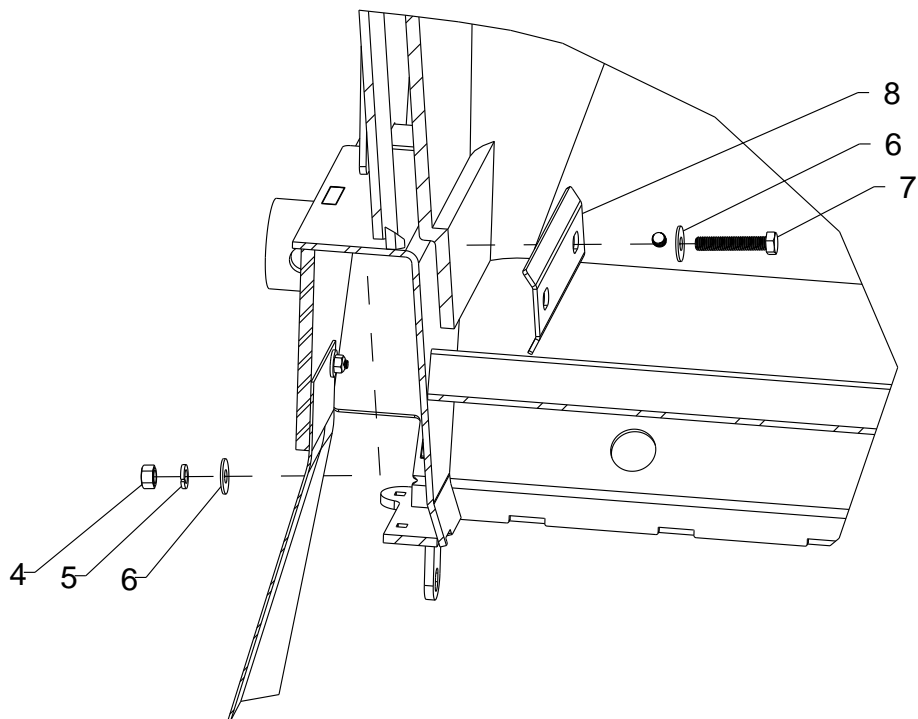
ITEM	PART NO.	QTY	DESCRIPTION
1	P88103	4	NUT HEX 3/8-16NC 5Z
2	P88282	4	WSHR FLAT 3/8(7/16X1ACT) Z
3	P88362	4	WSHR HLK 3/8ID Z
4	P322013	1	WLDMT-TOOLBOX TRAY
5	P322014	1	TOOLBOX-20" GRAY
6	PA64244	2	U-BOLT .375 X 5.125 X 8.063 X 5.125
7	P322240	1	STRAP-TARP 19IN (NOT SHOWN)



M5190-D

## CRADLE & HOPPER ASSEMBLY

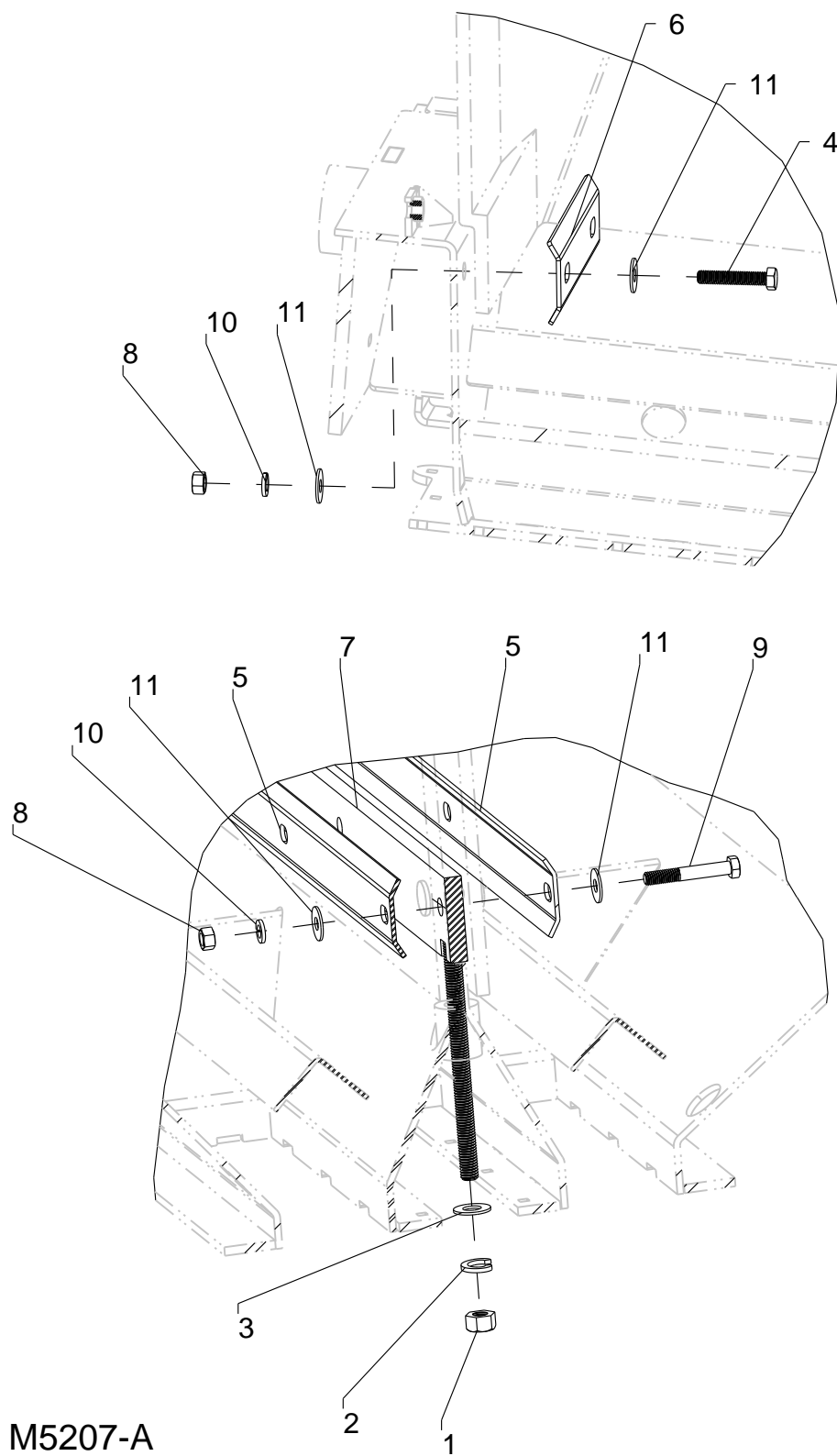
ITEM	PART NO.	QTY	DESCRIPTION
1	P321143	1	WLDMT-175BU CRADLE
2	P321180	1	HOPPER-NT FRONT (NATURAL)
3	P321181	1	HOPPER-NT REAR (NATURAL)
4	P322362	1	BELT-3-3/8 X 158
5	P322235	2	PLATE-RUBBER BACK
6	P321807	2	WLDMT-STRAP PULL
7	P89589	8	RIVET-BLIND .25 X .375 GRIP
8	P88739	4	WSHR FLAT 3/8SAE(12/32 X 13/16) Z
9	P88362	34	WSHR HLK 3/8ID Z
10	P88203	4	BLT HEX 1/4-20NC X 1 5Z
11	P88261	8	WSHR FLAT 1/4(5/16 X 3/4ACT) Z
12	P89034	34	BLT HEX 3/8-16NC X 1 5Z
13	P89501	4	NUT TOP LK 1/4-20NC 5Z
14	P89585	2	BLT HEX 1/2-13NC X 5 FULL 5Z
15	P322234	26	PLATE-WASHER SS
16	P321947	2	RAIN CURTAIN
17	P321991	2	PLATE-CRADLE COVER



## CRADLE & HOPPER INTERIOR ASSEMBLY

SN: THRU 463402

ITEM	PART NO.	QTY	DESCRIPTION
1	P321180	1	HOPPER-NT FRONT (NATURAL)
2	P321181	1	HOPPER-NT REAR (NATURAL)
3	P321883	2	PLATE-INSIDE TANK MID
4	PA1032089	17	NUT-HEX: SS .38 NC
5	PA65706	17	WASHER-LOCK: SS .38NC
6	PA65778	34	WASHER-FLAT: .38 SS
7	P89594	8	BLT HEX 3/8-16NC X 2 SS
8	P322233	4	PLATE-SIDE SUPPORT SS
9	PA65693	9	BOLT-HEX: SS .38 X 2.50 NC

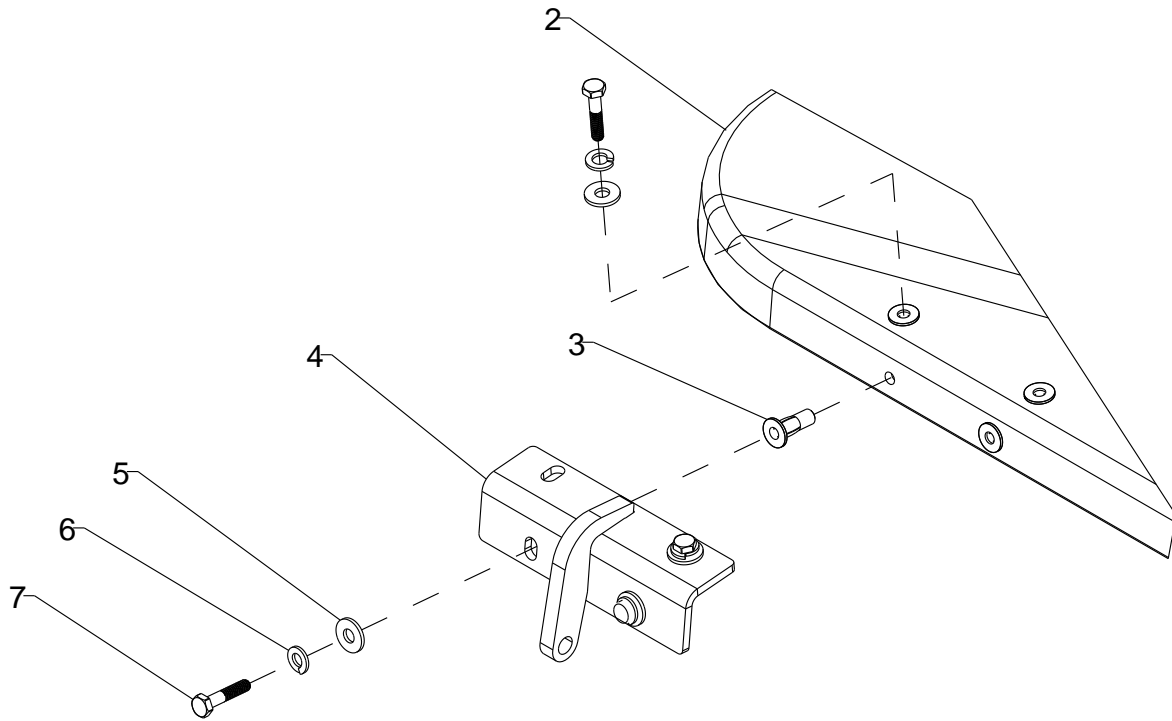
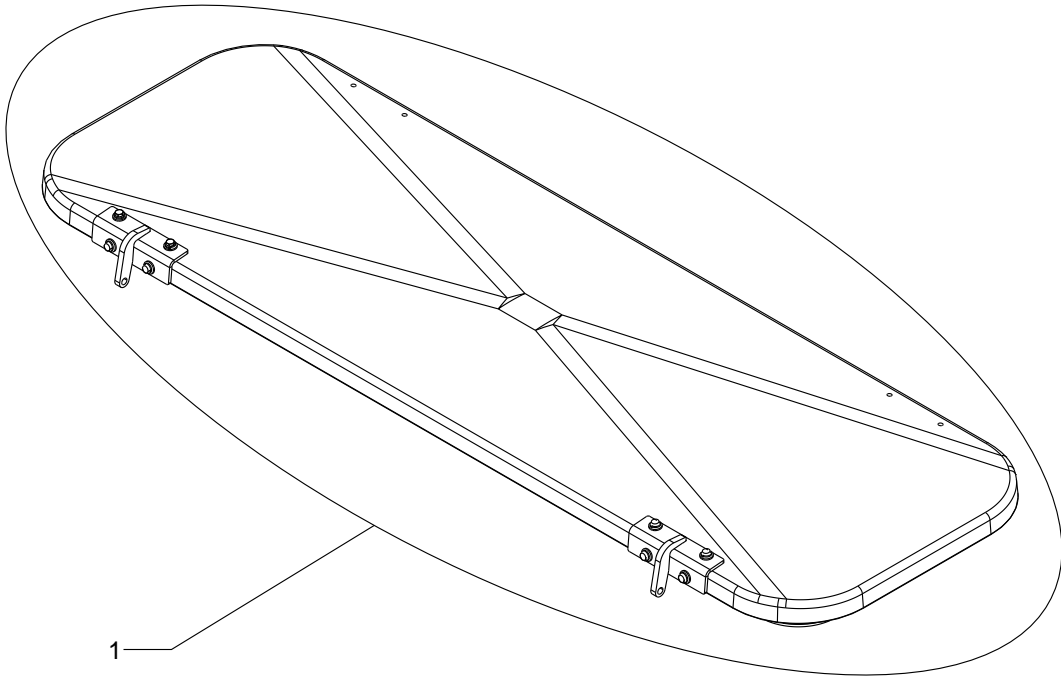


M5207-A

## CRADLE & HOPPER INTERIOR ASSEMBLY

SN: 463517 & UP

ITEM	PART NO.	QTY	DESCRIPTION
1	P88104	3	NUT HEX 1/2-13NC 5Z
2	P88303	3	WSHR HLK 1/2ID(9/16ACT) Z
3	P89054	3	WSHR FLAT 1/2SAE Z
4	P89594	8	BLT HEX 3/8-16NC X 2 SS
5	P321883	2	PLATE-INSIDE TANK MID
6	P322233	4	PLATE-SIDE SUPPORT SS
7	P322251	1	WLDMT-HOPPER PULL
8	PA1032089	17	NUT-HEX: SS .38 NC
9	PA65693	9	BLT-HEX: SS .38 X 2.5 NC
10	PA65706	17	WASHER-LOCK: SS .38NC
11	PA65778	34	WASHER-FLAT: .38 SS
12	P322200	AR	CORD-BUTYL ADHESIVE 1/2IN (PER FOOT; NOT SHOWN)

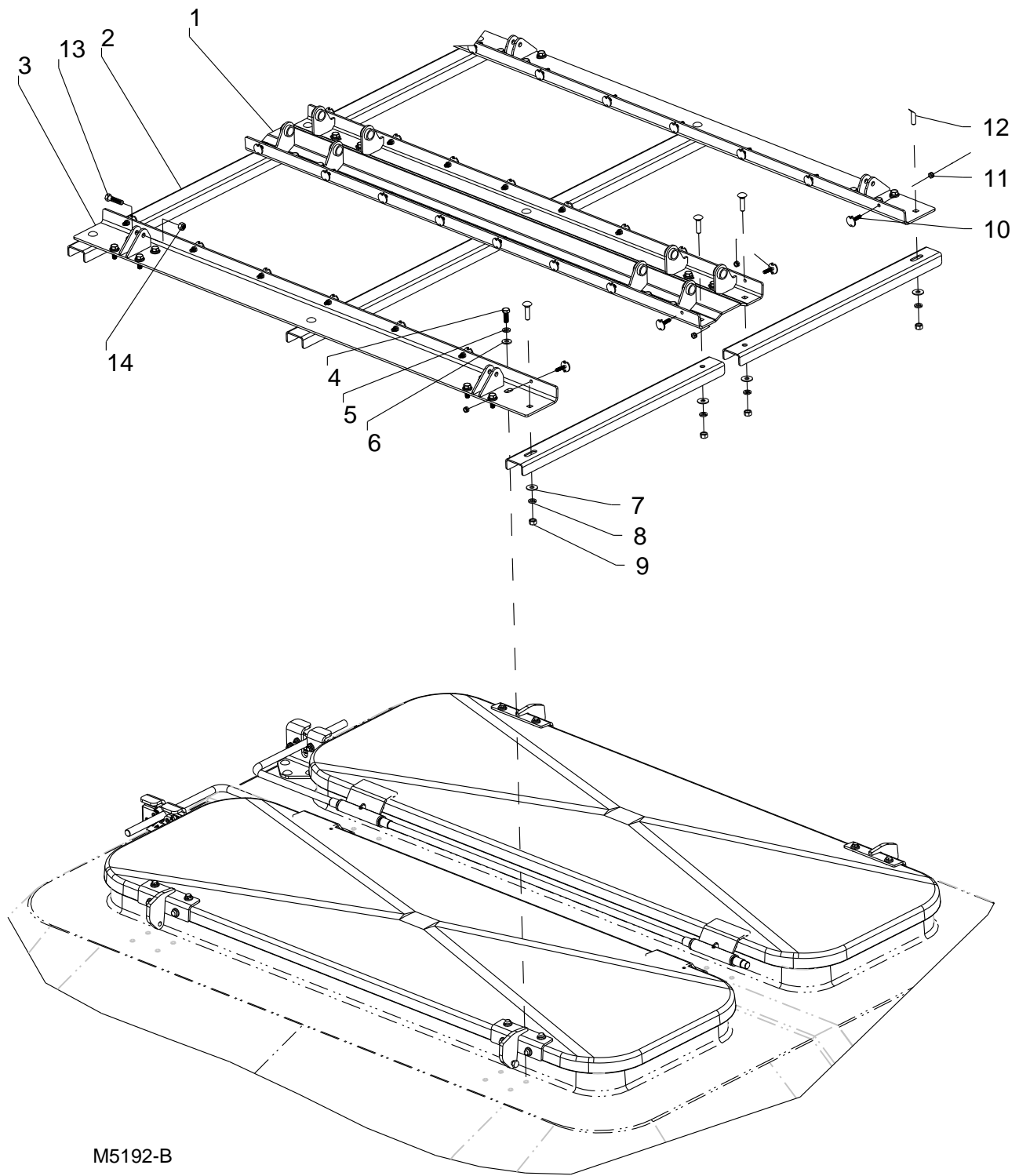


M5191-A



## HOPPER COVER

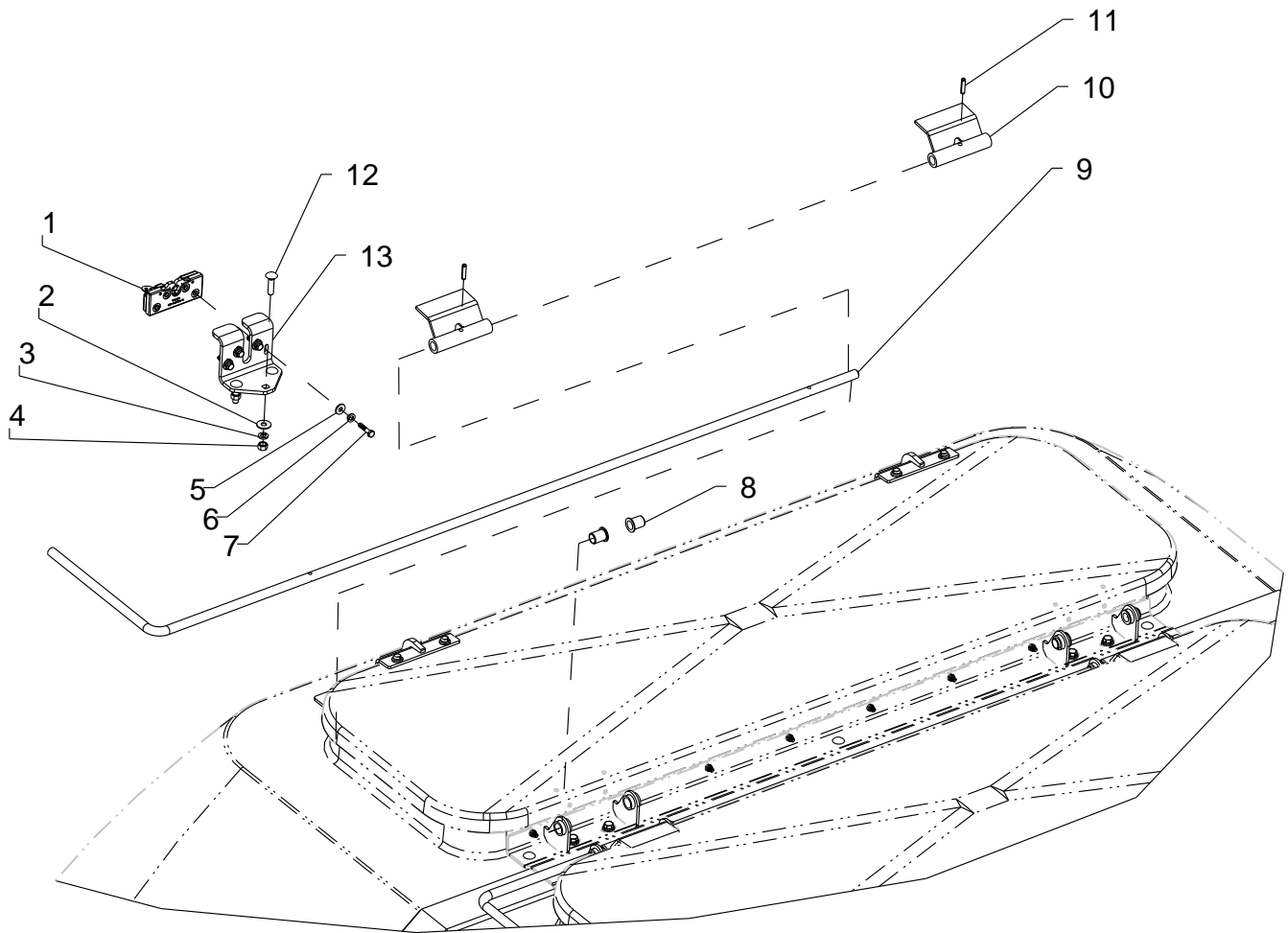
ITEM	PART NO.	QTY	DESCRIPTION
1	P321997	2	ASSY-COVER (NT)
2	P321231	1	COVER-NT HOPPER
3	P321801	8	RIVET-NUT
4	P321797	2	WLDMT-LID HINGE
5	P88261	8	WSHR FLAT 1/4 (5/16 X 3/4ACT) Z
6	P88262	8	WSHR HLK 1/4ID (5/16ACT) Z
7	P89028	8	BLT HEX 1/4-20NC X 1-1/4 5Z



M5192-B

## COVER SUPPORT

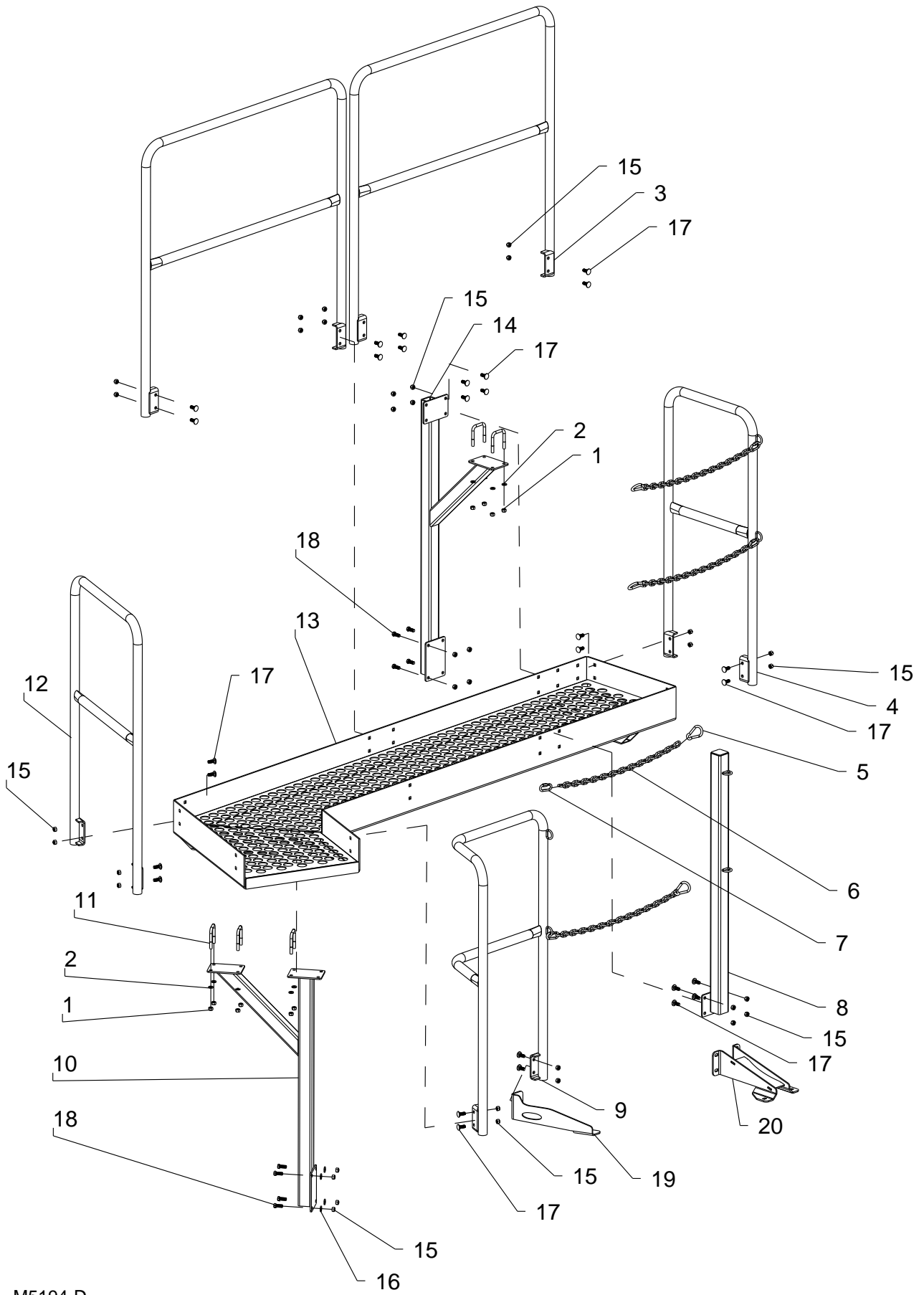
ITEM	PART NO.	QTY	DESCRIPTION
1	P321989	1	WLDMT-HOPPER COVER MNT
2	P321890	6	PLATE-LID STABILIZER
3	P321985	2	WLDMT-COVER HINGE SUPPORT
4	P89034	58	BLT HEX 3/8-16NC X 1 5Z
5	P88362	58	WSHR HLK 3/8ID Z
6	P88739	28	WSHR FLAT 3/8SAE(12/32 X 13/16)Z
7	S65778	12	WASHER-FLAT: .38 SS
8	S65706	12	WASHER-LOCK: SS .38NC
9	S1032089	12	NUT-HEX: SS .38 NC
10	P330841	30	BOLT-LARGE HEAD FANGED; 1/4-20X1-1/4SS
11	S1033269	30	NUT-NYLOCK: .25 NC GR2 SS
12	S37357	12	BOLT-CRG: SS .38 X 1.50 NC
13	P88553	4	BLT HEX 3/8-16NC X 1-1/2 5Z
14	P88659	4	NUT TOP LK 3/8-16NC 5Z



M5193-A

## COVER LATCH

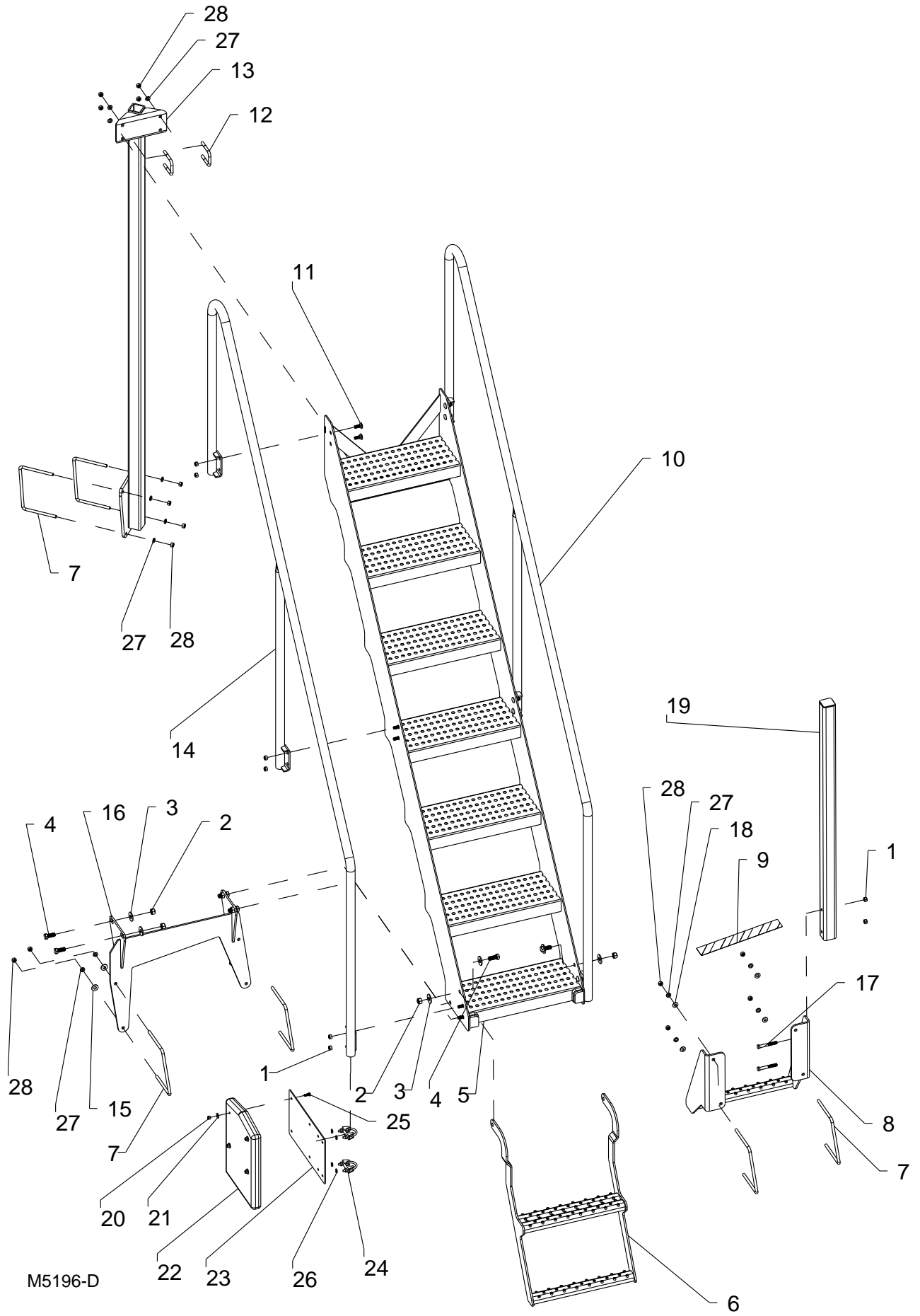
ITEM	PART NO.	QTY	DESCRIPTION
1	P321996	2	LATCH-DUAL JAW
2	S65778	18	WASHER-FLAT: .38 SS
3	S65706	18	WASHER-LOCK: SS .38NC
4	S1032089	18	NUT-HEX: SS .38 NC
5	P88261	8	WSHR FLAT 1/4(5/16 X 3/4ACT) Z
6	P88262	8	WSHR HLK 1/4ID(5/16ACT) Z
7	P89028	8	BLT HEX 1/4-20NC X 1-1/4 5Z
8	P321548	8	BUSHING-HINGE
9	P321549	2	ROD-DOOR LATCH
10	P321795	4	WLDMT-LID LATCH
11	P46275	4	PIN ROLL 1/4 X 1-1/8 Z
12	S37357	18	BOLT-CRG: SS .38 X 1.50 NC
13	P321995	2	PLATE-HANDLE LATCH



M5194-D

## CATWALK & HANDRAIL ASSEMBLY

ITEM	PART NO.	QTY	DESCRIPTION
1	P88103	10	NUT HEX 3/8-16NC 5Z
2	P88362	10	WSHR HLK 3/8ID Z
3	P321490	2	WLDMT-OUTSIDE HANDRAIL
4	P321500	1	WLDMT-END HANDRAIL
5	P322202	4	CONN-CARABINER 5/16
6	P71401708	4	CHAIN-SWIVEL LADDER
7	P71400640	4	LINK-LADDER CHAIN
8	P322212	1	TUBE-CENTER SUPPORT
9	P321489	1	WLDMT-INSIDE HANDRAIL
10	P322208	1	WLDMT-FRNT CATWALK MOUNT
11	P89106	5	BLT-U 3/8-16NC X 2 X 2-3/4 Z
12	P321496	1	WLDMT-OUTSIDE RAIL SHORT
13	P321186	1	WLDMT-NT CATWALK
14	P321470	1	WLDMT-CATWALK MOUNT
15	P88659	36	NUT TOP LK 3/8-16NC 5Z
16	P88739	4	WSHR FLAT 3/8SAE Z
17	P89009	28	BLT CRG 3/8-16NC X 1 5Z
18	P89034	8	BLT HEX 3/8-16NC X 1 5Z
19	P322242	1	STABILIZER MOUNT
20	P322243	1	WLDMT-CENTER SUPPORT

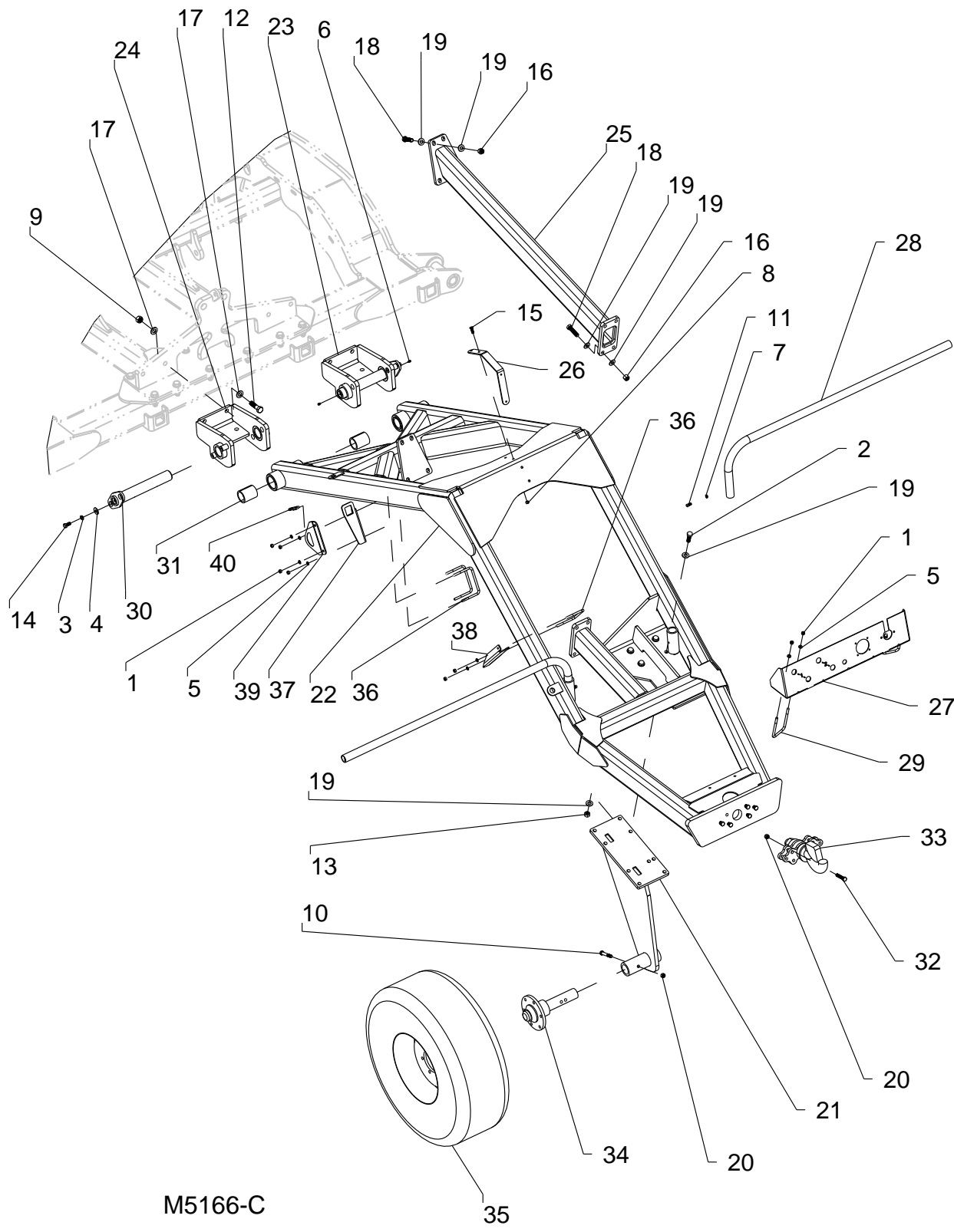


M5196-D



## LADDER & HANDRAIL ASSEMBLY

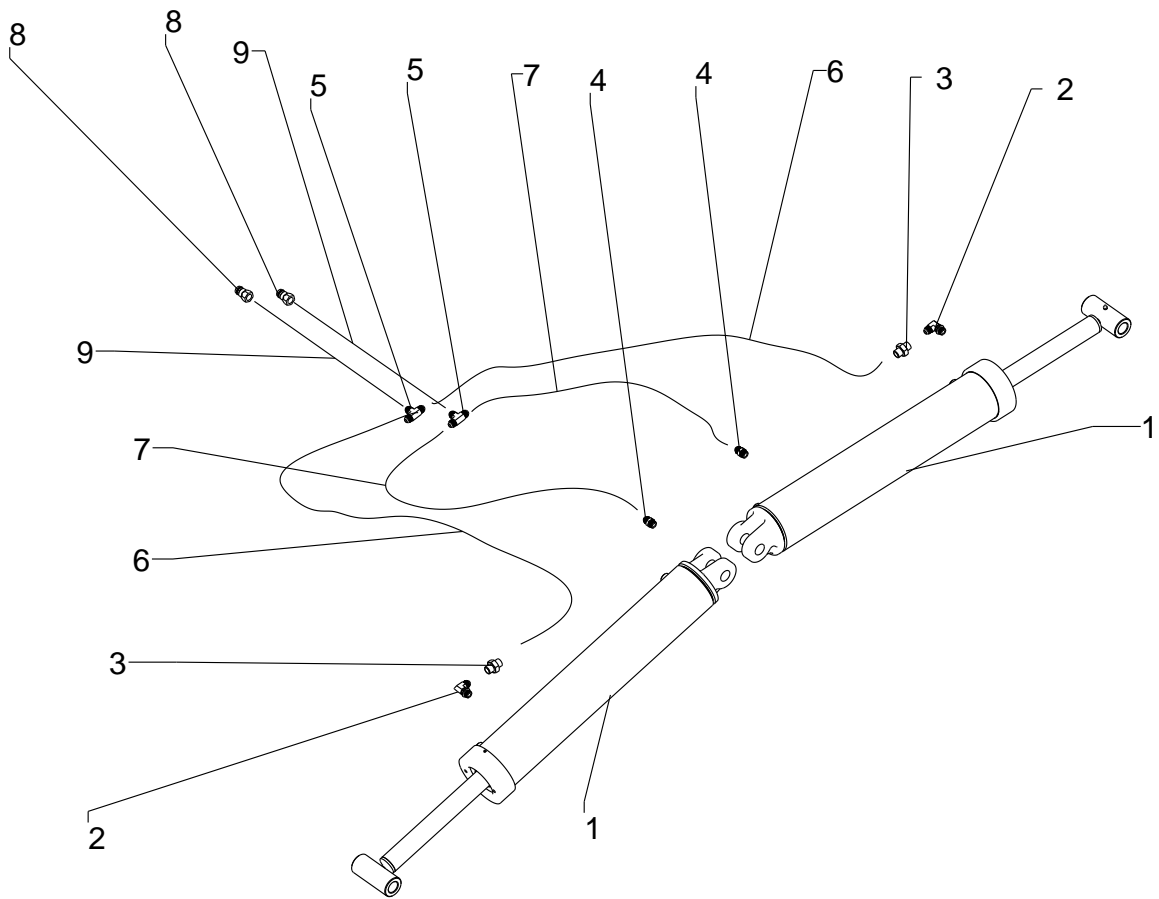
ITEM	PART NO.	QTY	DESCRIPTION
1	P88659	14	NUT TOP LK 3/8-16NC 5Z
2	P88661	6	NUT TOP LK 1/2-13NC 5Z
3	P88347	8	WSHR FLAT 1/2(9/16 X 1-3/8ACT) Z
4	P88554	6	BLT HEX 1/2-13NC X 1-1/4 5Z
5	P321183	1	WLDMT-NT LADDER
6	P321837	1	WLDMT-LOWER LADDER
7	PA64244	6	U-BOLT .375 X 5.125 X 8.063 X 5.125
8	P322032	1	WLDMT-ANGLED SINGLE STEP
9	P321857	1	TAPE-ANTISLIP 4" HIGH VIS
10	P322215	1	WLDMT-STEP HANDRAIL RH
11	P89009	12	BLT CRG 3/8-16NC X 1 (88467) 5Z
12	P89106	2	BLT-U 3/8-16NC X 2 X 2-3/4 Z
13	P321516	1	WLDMT-LADDER SUPPORT
14	P321499	1	WLDMT-STEP HANDRAIL LH
15	P88282	4	WSHR FLAT 3/8(7/16X1ACT) Z
16	P321959	1	WLDMT-LADDER MOUNT
17	P88582	2	BLT HEX 3/8-16NC X 2-3/4 5Z
18	P88739	4	WSHR FLAT 3/8SAE(12/32 X 13/16) Z
19	P322036	1	WLDMT-HITCH HANDHOLD
20	P89056	4	NUT NLK 1/4-20NC 5Z
21	P88261	4	WSHR FLAT 1/4(5/16 X 3/4ACT) Z
22	PA64635	1	CASE-MANUAL STORAGE
23	P322227	1	SHEET-MANUAL HOLDER
24	PA33530	2	CLAMP-MUFFLER W/SADDLE 1.25 ZP
25	P88993	4	BLT HEX 1/4-20NC X 3/4 5Z
26	P88358	4	WSHR LOCK 5/16 Z
27	P88362	16	WSHR LOCK 3/8 Z
28	P88103	16	NUT HEX 3/8-16NC 5Z



M5166-C

## FLOATING REAR HITCH

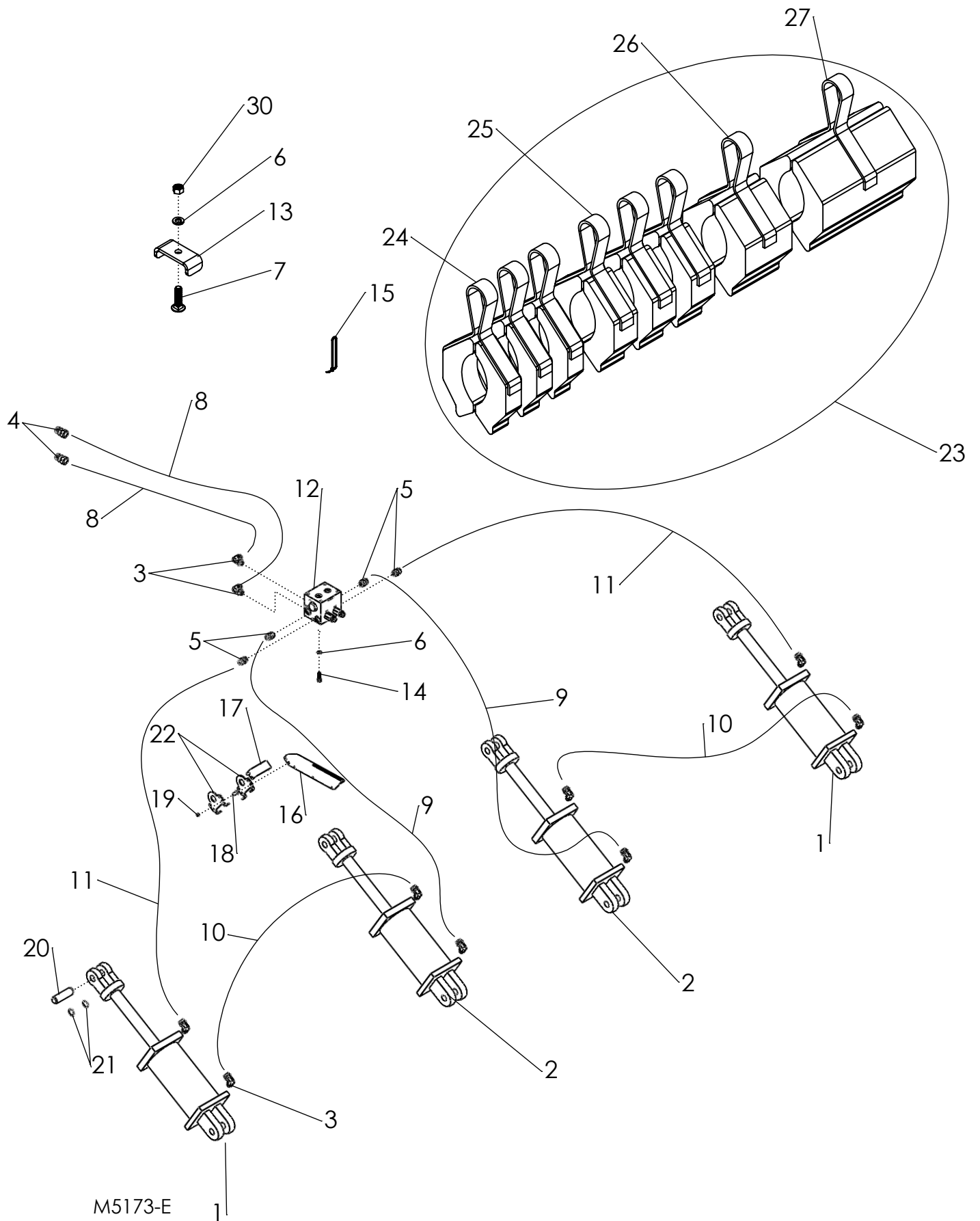
ITEM	PART NO.	QTY	DESCRIPTION
1	P88103	12	NUT HEX 3/8-16NC 5Z
2	P88294	6	BLT HEX 5/8-11NC X 2 5Z
3	P88303	4	WSHR HLK 1/2ID(9/16ACT) Z
4	P88347	4	WSHR FLAT 1/2(9/16 X 1-3/8ACT) Z
5	P88362	12	WSHR HLK 3/8ID Z
6	P88550	4	FTG GRS 1/4-28 3038-B
7	P88564	2	NUT JAM 3/8-16NC 5Z
8	P88659	2	NUT TOP LK 3/8-16NC 5Z
9	P88665	4	NUT TOP LK 3/4-10NC 5Z
10	P88680	1	BLT HEX 1/-13NC X 3-1/4 5Z
11	P88702	2	SCR SET 3/8NC X 3/4 SQHD CUP-PT Z
12	P88841	4	BOLT HEX 3/4-10 NC X 2.75 5Z
13	P88845	6	NUT TOP LK 5/8-11NC 5Z
14	P89015	4	BLT HEX 1/2-13NC X 1 5Z
15	P89034	2	BLT HEX 3/8-16NC X 1 5Z
16	P89499	8	NUT TOP LK 5/8-18NF 8Z
17	P89509	8	WASHER-FLAT: SAE .75 8 YZ
18	P89517	8	BLT HEX 5/8-18NF X 2-1/2 8YZ
19	P89524	28	WSHR FLT 5/8SAE(21/32 X 1-5/16) 8YZ
20	P89539	7	NUT TOP LK 1/2-13NC RYZ
21	P320316	1	WLDMT-FH REAR WHEEL STRUT
22	P321380	1	WLDMT-FLOATING HITCH 3.5M
23	P321395	1	WLDMT-FH PIVOT 3.5M RH
24	P321396	1	WLDMT-FH PIVOT 3.5M LH
25	P321551	1	WLDMT-FH LOWER MID 3.5
26	P321592	1	PLATE-SMV BRACKET NT FRH
27	P321769	1	WLDMT-NT FRH BULKHEAD
28	P322067	2	12 X 54 LIGHT ARM
29	S34263	2	U-BOLT: .375 X 6 X 3 X 6
30	S35210	2	WLDMT-PIN W/FLAG 12.5 X 2 ZP
31	S35515	4	BUSHING-SPLIT 2.5ODX2ID X3
32	S35782	6	BOLT-HEX: .50X2.50 NC GR8 ZP FULL
33	S35802	1	PINTLE 30000 LB
34	S52116	1	ASSY-HUB & SPINDLE: 6 BOLT
35	S65267	NS	TIRE-MNTD: 12.5L-15 8 PLY I3(BLACK)
36	P89069	4	BLT-U 3/8-16NC X 5 X 4Z
37	P322351	1	PLATE-TOOLBAR LOCK MOUNT UPPER
38	P322352	1	PLATE-TOOLBAR LOCK MOUNT LOWER
39	P322354	2	PLATE-BUNGEE MOUNT FRH
40	P71400640	2	CHAIN LINK
41	P322355	4	BUNGEE STRAP (NOT SHOWN)



M5172-B

## WING LIFT HYDRAULICS

ITEM	PART NO.	QTY	DESCRIPTION
1	P320984 P321977	2	CYL-HYD: 50WD26-200 (2.0 ROD) SEAL KIT: 50WD26-200
2	P25580	2	ELB 8MORB X 8MJ
3	P1019844	2	RSTR ADP 8FJ-8FJ .090
4	P24024	2	ADP 8MORB X 8MJ
5	P13238	2	TEE 8MJ X 8MJ X 8MJ
6	PA63040	2	HOSE: .38 X 048 8FJX-8FJX
7	PA63005	2	HOSE: .38 X 034 8FJX-8FJX
8	PA36290	2	QUICK COUPLER 8010-15P (#8 ORB)
9	PA35764	2	HOSE: .50 X 306 8FJX-8MB

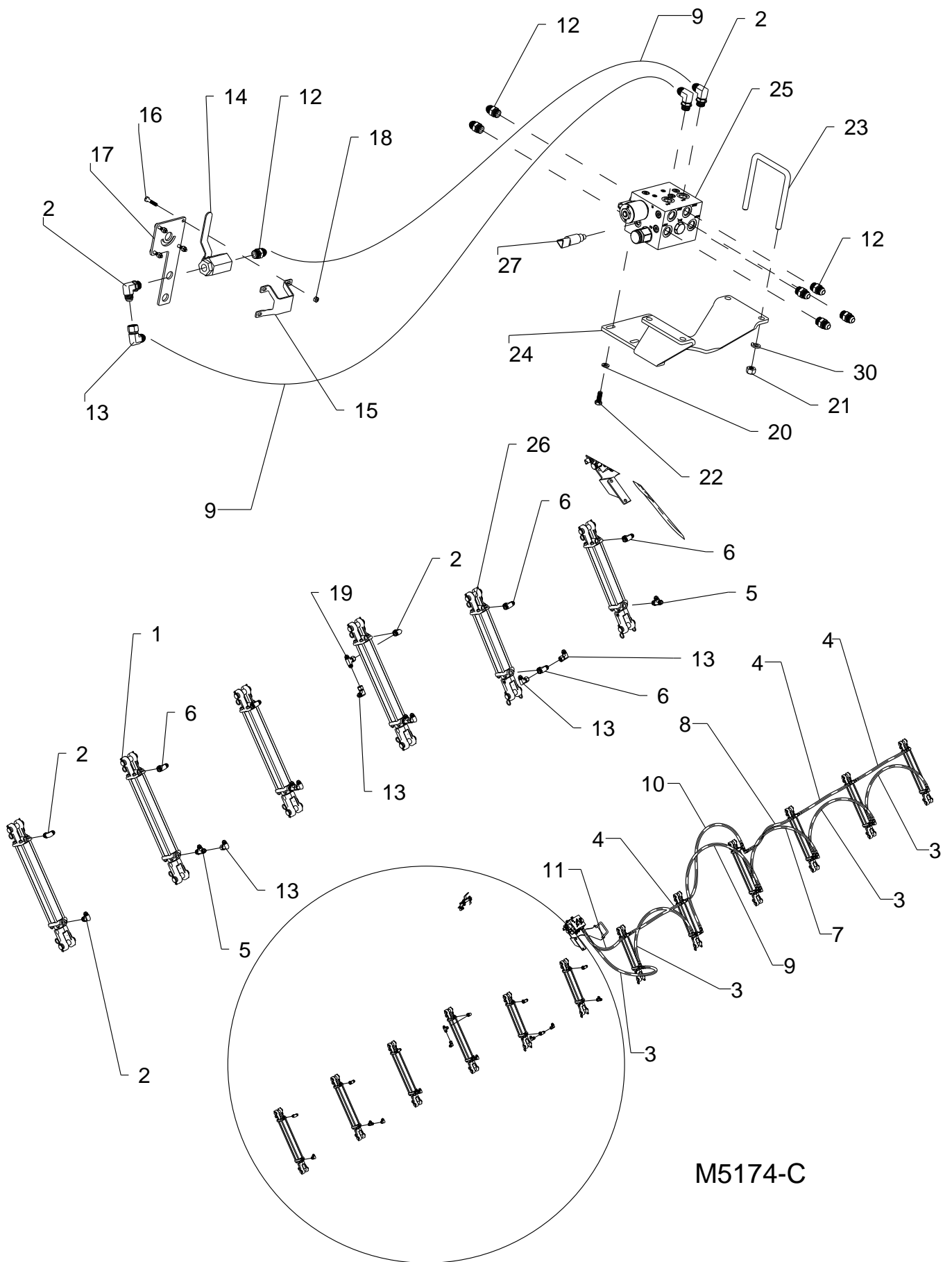


M5173-E

## DEPTH CONTROL ASSEMBLY

ITEM	PART NO.	QTY	DESCRIPTION
1	P320986	2	CYLINDER 37WP14-138 SN: THRU 463583
	P321976		SEAL KIT FOR P320986
	P320985	2	CYLINDER 40WP14-138 SN: 463658 & UP
	P321975		SEAL KIT FOR P320985
2	P320985	2	CYLINDER 40WP14-138 SN: THRU 436583
	P322335	2	CYLINDER 42WP14-150 SN: 463658 & UP
	P322337		SEAL KIT FOR P322335
3	P25580	10	FTG-ELBOW: 8MB-8MJ-90
4	P36290	2	PIONEER TIP 8010-15P (#8 ORB)
5	P24024	4	FTG-ADAPTER: 8MB-8MJ
6	P88362	8	WASHER-LOCK: .38 ZP
7	P89375	4	BLT CRG 3/8-16NC X 1-1/2 5Z
8	P35764	2	HOSE: .50 X 306 8FJX-8MB
9	P57011	2	HOSE: .50 X 048 8FJX-8FJX
10	P352575	2	HOSE: .50 X 145 8FJX-8FJX
11	P35679	2	HOSE: .50 X 152 8FJX-8FJX
12	PA35384	1	VALVE-FLOW DIVIDER W/PO CHECK
13	P50714	4	CLAMP .50 ZP
14	P88555	4	BOLT-HEX: .38 X 1.25 NC GR5 ZP
15	PA65378	30	TIE-NLYON CABLE 50# X 11.75"
16	P320315*	1	PLATE-WORK SWITCH SENSOR ARM
17	P320313*	1	PLATE-WORK SWITCH MOUNT TOP
18	P88994*	4	BOLT-CRG: .25 X .75 NC GR5 ZP
19	P89501*	4	NUT-TOPLOCK: .25 NC GR5 ZP
20	P320136	8	PIN-1.000 X 3.375 HRD W/GROOVE
21	PA36430	16	RING-RETAINING 1.00"
22	P320314*	2	PLATE-WORK SWITCH MOUNT SIDE
23	PA34693	8	KT-CYL. STOP; 1.5 3.0 3-.75 3-.50
24	PA66022	3	STOP-CYLINDER .50 IN (RED)
25	PA66023	3	STOP-CYLINDER .75 IN (GREEN)
26	PA54004	1	STOP-CYLINDER 1.5 IN (SILVER)
27	PA66025	1	STOP-CYLINDER 3.0 IN (BLUE)
28	P322037	2	CHANNEL-NT TRANSPORT LOCK (NOT SHOWN)
29	P915402	2	PIN-5/16 X 2-3/4 LYNCH (NOT SHOWN)
30	P88103	4	NUT HEX 3/8-16NC 5Z

\*SN: THRU 463691

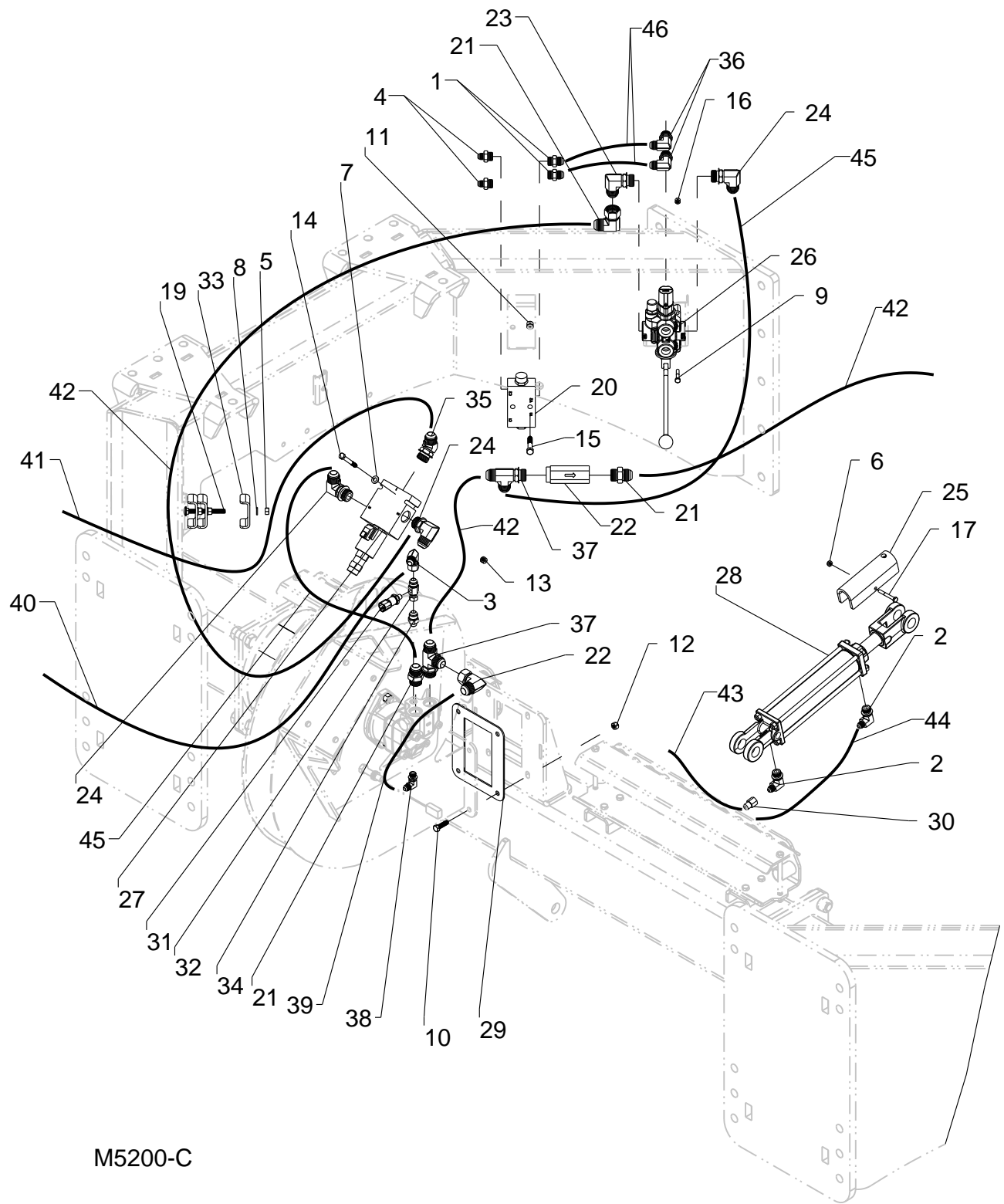


M5174-C



## DOWN PRESSURE & TOOLBAR HYDRAULICS

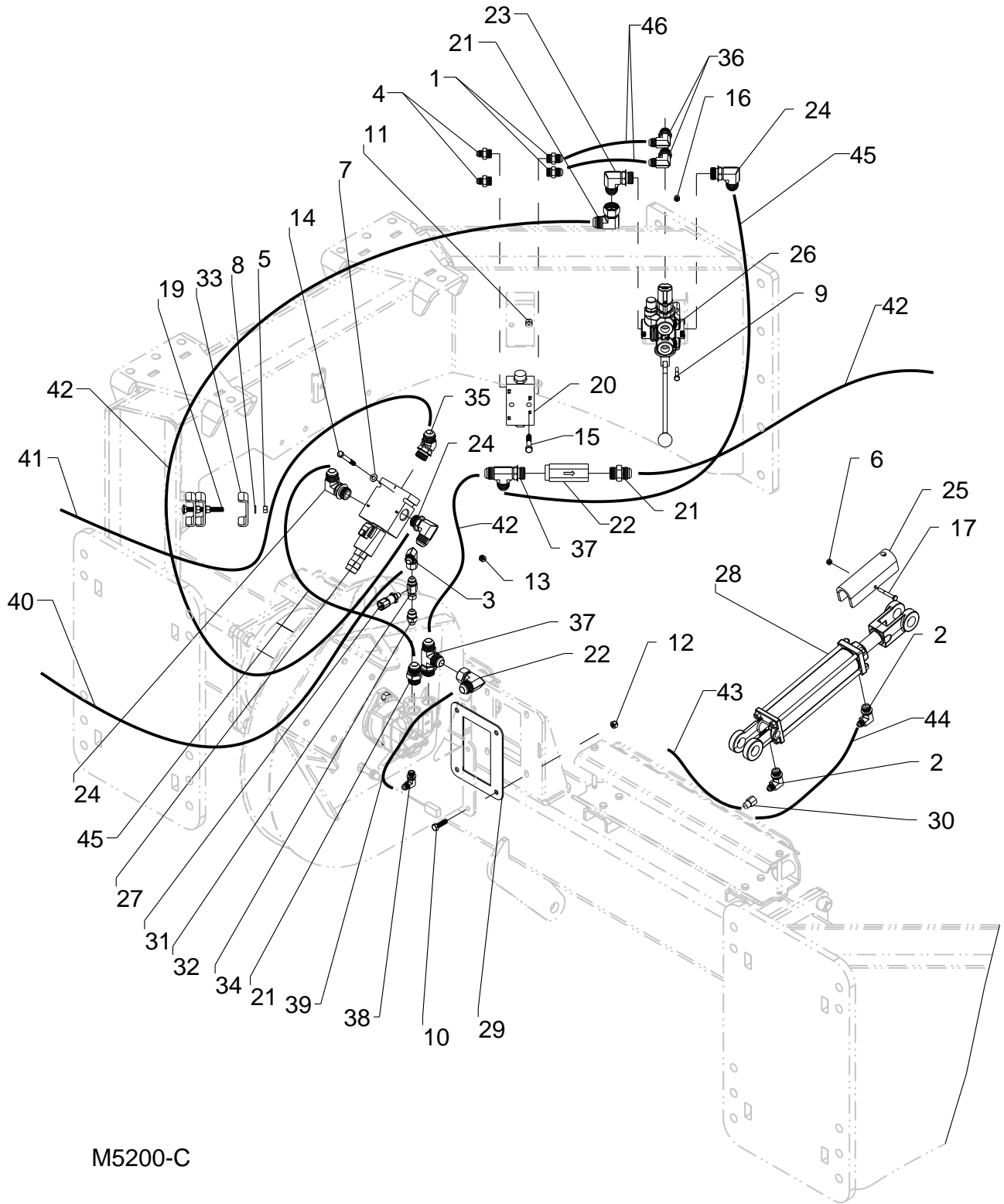
ITEM	PART NO.	QTY	DESCRIPTION
1	P321938	8	CYL-HYD: 20TH14-112 ORB 90 B
	P321943	AR	2IN SEAL KT (PRINCE)
	PA36075	AR	PIN-CYLINDER W/CLIPS 1 X 2.875
2	P25580	9	ELB 8MORB X 8MJ
3	PA66606	8	HOSE: .50 X 046 8FJX-8FJX
4	PA66607	6	HOSE: .50 X 029 8FJX-8FJX
5	PA63016	8	TEE 8MORB X 8MJ X 8MJ
6	P56534	10	TEE 8MJ X 8MJ X 8MORB
7	P1015802	2	HOSE: .50 X 050 8FJX-8FJX
8	PA36373	2	HOSE: .50 X 026 8FJX-8FJX
9	P247430	4	HSE 3KPSI 1/2X65 8FJX-8FJX
10	PA57011	2	HOSE: .50 X 048 8FJX-8FJX
11	PA36314	2	HOSE: .50 X 023 8FJX-8FJX
12	P24024	7	ADP 8MORB X 8MJ
13	P25591	13	ELB 8MJ X 8FJX
14	PA35554	1	VALVE-BALL #8 SAE
15	PA35686	1	CLAMP-BALL VALVE SDD
16	P89028	4	BLT HEX 1/4-20NC X 1-1/4 5Z
17	P321289	1	PLT-NT BALL VALVE MNT
18	P89501	4	NUT TOP LK 1/4-20NC 5Z
19	P69080	2	TEE 8MJ X 8MJ X 8FJX
20	P88362	4	WSHR HLK 3/8ID Z
21	P88104	4	NUT HEX 1/2-13NC 5Z
22	P89034	4	BLT HEX 3/8-16NC X 1 5Z
23	PA33856	2	BLT-U 1/2-13NC X 4 X 5-1/2 Z
24	PA35671	1	MNT-SWINGARM VALVE
25	P320200	1	VALVE-DOWNPRESSURE W/REGEN
26	P321937	4	CYL-HYD: 20TH10-112 ORB 90 B
	P321943	AR	2IN SEAL KT (PRINCE)
	PA36075	AR	PIN-CYLINDER W/CLIPS 1 X 2.875
27	PA35598	1	TRANSDUCER-PRESSURE 0-3000 4MB
28	PA35764	2	HOSE: .50 X 306 8FJX-8MB (NOT SHOWN)
29	PA36290	2	QUICK COUPLER 8010-15P (#8 ORB) (NOT SHOWN)
30	P88303	4	WSHR HLK 1/2ID Z



M5200-C

## HOPPER HYDRAULICS

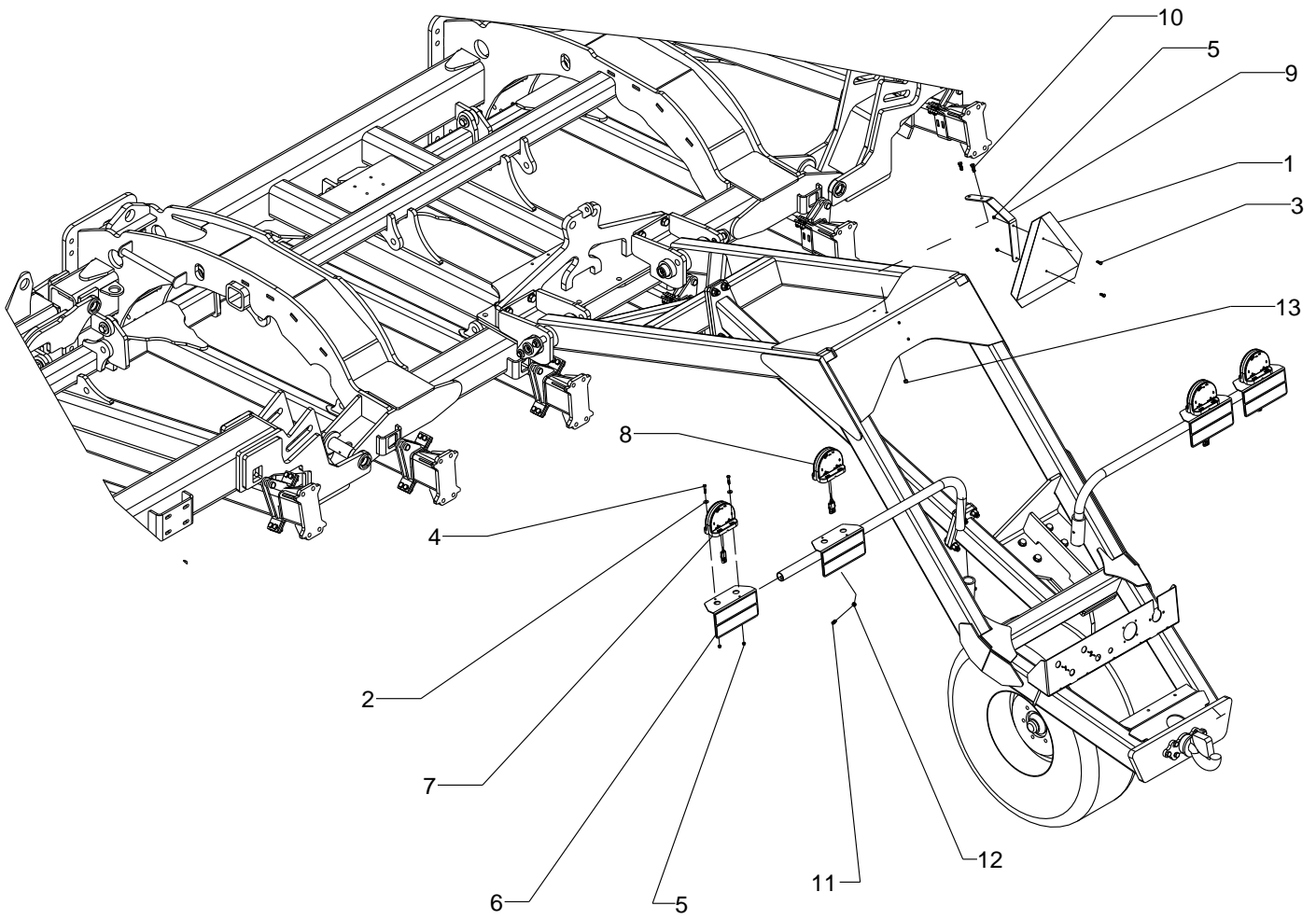
ITEM	PART NO.	QTY	DESCRIPTION
1	P24024	2	ADP 8MORB X 8MJ
2	P24104	2	ELB 8MORB X 6MJ
3	P25591	1	ELB 8MJ X 8FJX
4	P58543	2	ADP 8 MORB X 6MJ
5	P88103	13	NUT HEX 3/8-16NC 5Z
6	P88237	1	NUT 2POSLK 1/4-20NC 5Z
7	P88278	4	WSHR FLAT 5/16(3/8 X 7/8ACT) Z
8	P88362	13	WSHR HLK 3/8ID Z
9	P88504	3	BLT HEX 1/4-20NC X 1-1/2 5Z
10	P88555	4	BOLT HEX 3/8-16NC X 1-1/4 5Z
11	P88626	2	NUT NLK 3/8-16NC 5Z
12	P88659	4	NUT TOP LK 3/8-16NC 5Z
13	P88832	2	NUT TOP LK 5/16-18NC 5Z
14	P89004	2	BLT HEX 5/16-18NC X 2-1/2 5Z
15	P89011	2	BLT HEX 3/8-16NC X 2 5Z
16	P89056	3	NUT NLK 1/4-20NC 5Z
17	P89058	1	BLT HEX 1/4-20NC X 2 5Z
18	P89473	2	BLT CRG 3/8-16NC X 2-1/2 5Z
19	P89475	3	BLT CRG 3/8-16NCX3-1/2 5Z
20	P233379	1	DUAL PILOTED CHECK VALVE
21	P237160	3	ADP 12MORB X 12MJ
22	P240284	2	ELB 12MJ X 12FJX
23	P244975	1	VALVE-CHECK SAE #12
24	P244989	4	ELB 12MORB X 12MJ
25	P321610	1	1-1/8" CHANNEL LOCK 6" (BLACK)
26	P330596	1	VALVE-CONTROL 4 WAY PAINTED
27	P321825	1	VALVE-FAN CONTROL W/ PROP VALVE
28	P321936	1	CYLINDER 2 X 8
29	P330554	1	GASKET-FAN TRANSITION
30	P330851	1	RSTR ADP 6FJ-6MJ .020



M5200-C

## HOPPER HYDRAULICS CONT.

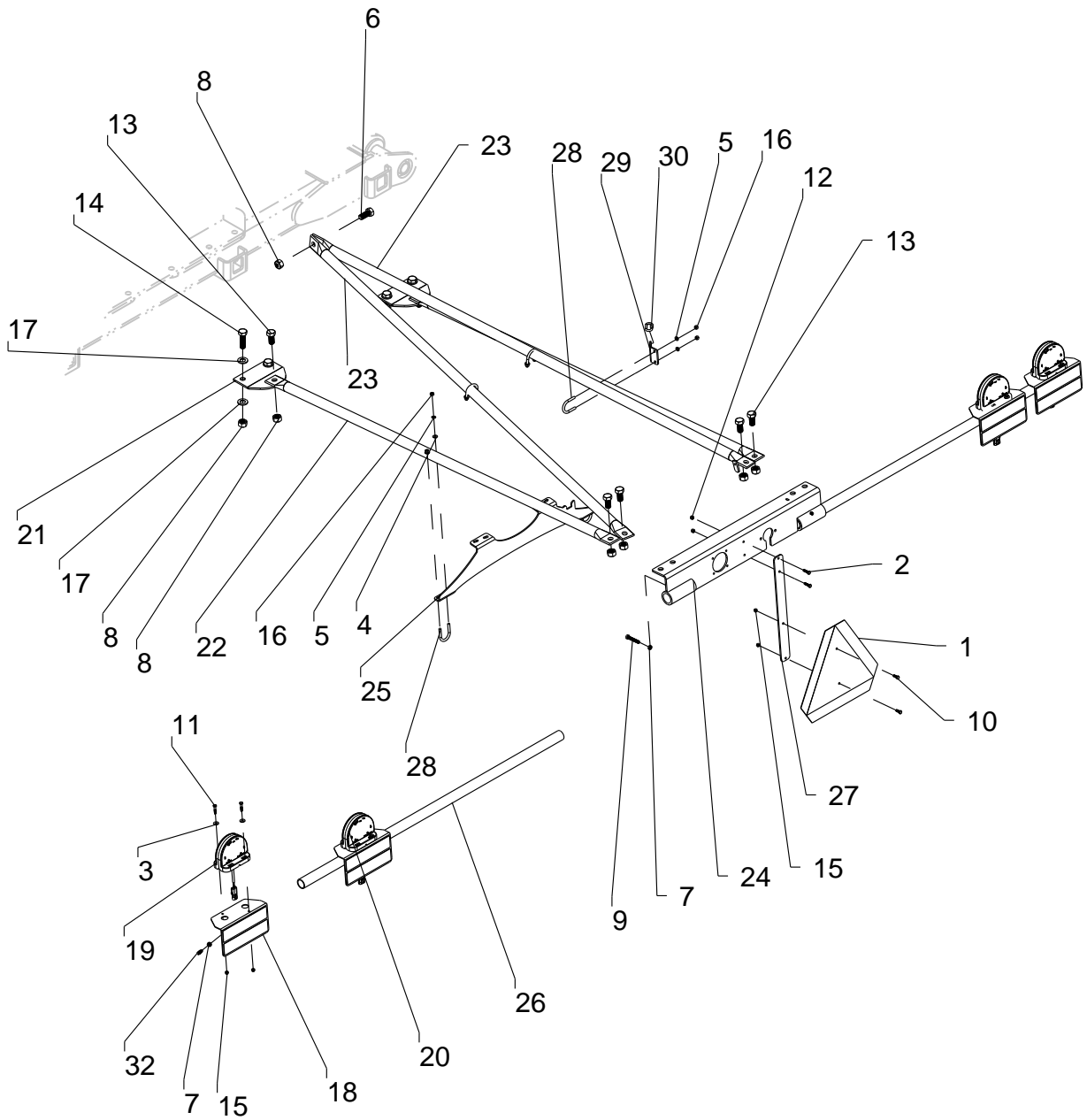
ITEM	PART NO.	QTY	DESCRIPTION
31	P582543D1	1	TRANSDUCER-PRESSURE 0-100 CASE DRAIN
32	PA36174	1	TEE 8MJ X 8FJ X 4FORB
33	PA50714	13	CLAMP 1/2" ZP
34	PA62024	1	ADP 8 MJ X 6 MORB
35	PA63699	1	ELB 12MB X 12MJ 45°
36	PA65901	2	ELB10MB-8MJ-90
37	PA66248	2	TEE 12MB X 12MJ X 12MJ
38	PA66270	1	RSTR ADP 6MB-6MJ-90 .032
39	P330077	1	HOSE: .50 X 024 12FJX-6FJX
40	PA66604	1	HOSE: .50 X 290 8FJX-8MB
41	P331337	1	HOSE: .75 X 305 12FJX-12FJX
42	P351292	3	HSE 3KPSI 3/4X144 12FJX-12FJX
43	P321829	1	HSE 3KPSI 3/8X120 6FJ-6FJ
44	P321830	1	HSE 3KPSI 3/8X132 6FJ-6FJ
45	PA64062	2	HOSE: .75 X 038 12FJX-12FJX
46	P321828	2	HSE 3KPSI 3/8X12 8FJ-8FJ
47	P351329	2	ADP 12MJ X 10MORB (NOT SHOWN)
48	PA36291	2	QUICK COUPLER 8010-16P (#10 ORB) (NOT SHOWN)
49	PA69119	1	FTG-CASE DRAIN 3/8 FLAT FACE (NOT SHOWN)



M5179-A

## SAFETY LIGHTS - FLOATING REAR HITCH

ITEM	PART NO.	QTY	DESCRIPTION
1	P30651	1	SMV EMBLEM S276.6
2	P88261	8	WSHR FLAT 1/4(5/16 X 3/4ACT) Z
3	P88993	2	BLT HEX 1/4-20NC X 3/4 5Z
4	P89028	8	BLT HEX 1/4-20NC X 1-1/4 5Z
5	P89501	10	NUT TOP LK 1/4-20NC 5Z
6	P223126	4	LIGHT/REFLECTOR BRACKET
7	P321362	2	LIGHT-AMBER HAZARD LED SURF
8	P321363	2	LIGHT-RED STOP/TAIL LED
9	P321592	1	PLATE-SMV BRACKET NT FRH
10	P89034	2	BLT HEX 3/8-16NC X 1 5Z
11	P88702	4	SET SCREW 3/8NC X 3/4 SQHD
12	P88564	4	NUT JAM 3/8-16NC 5Z
13	P88659	2	NUT TOP LK 3/8-16NC 5Z

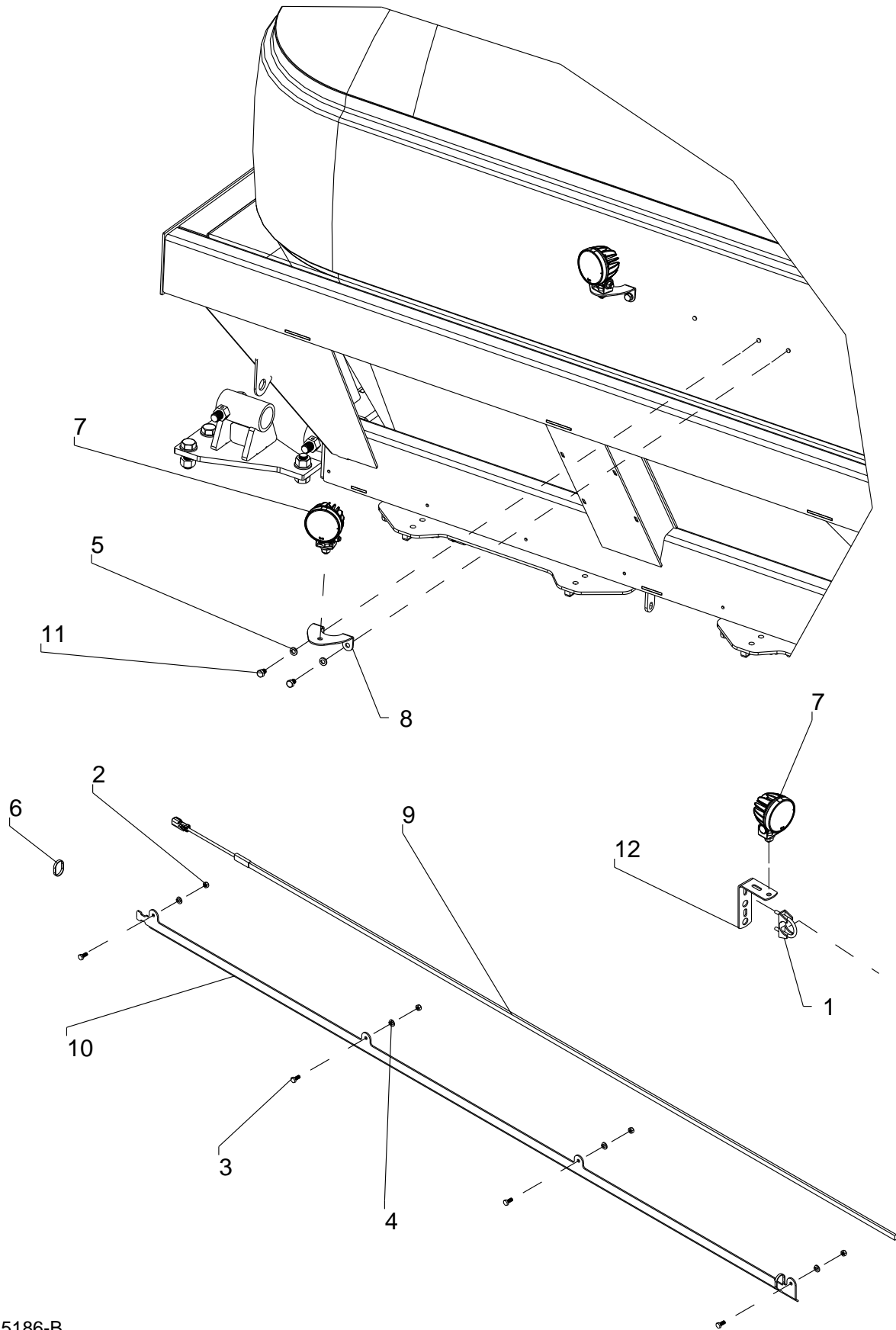


M5185-D



## SAFETY LIGHTS

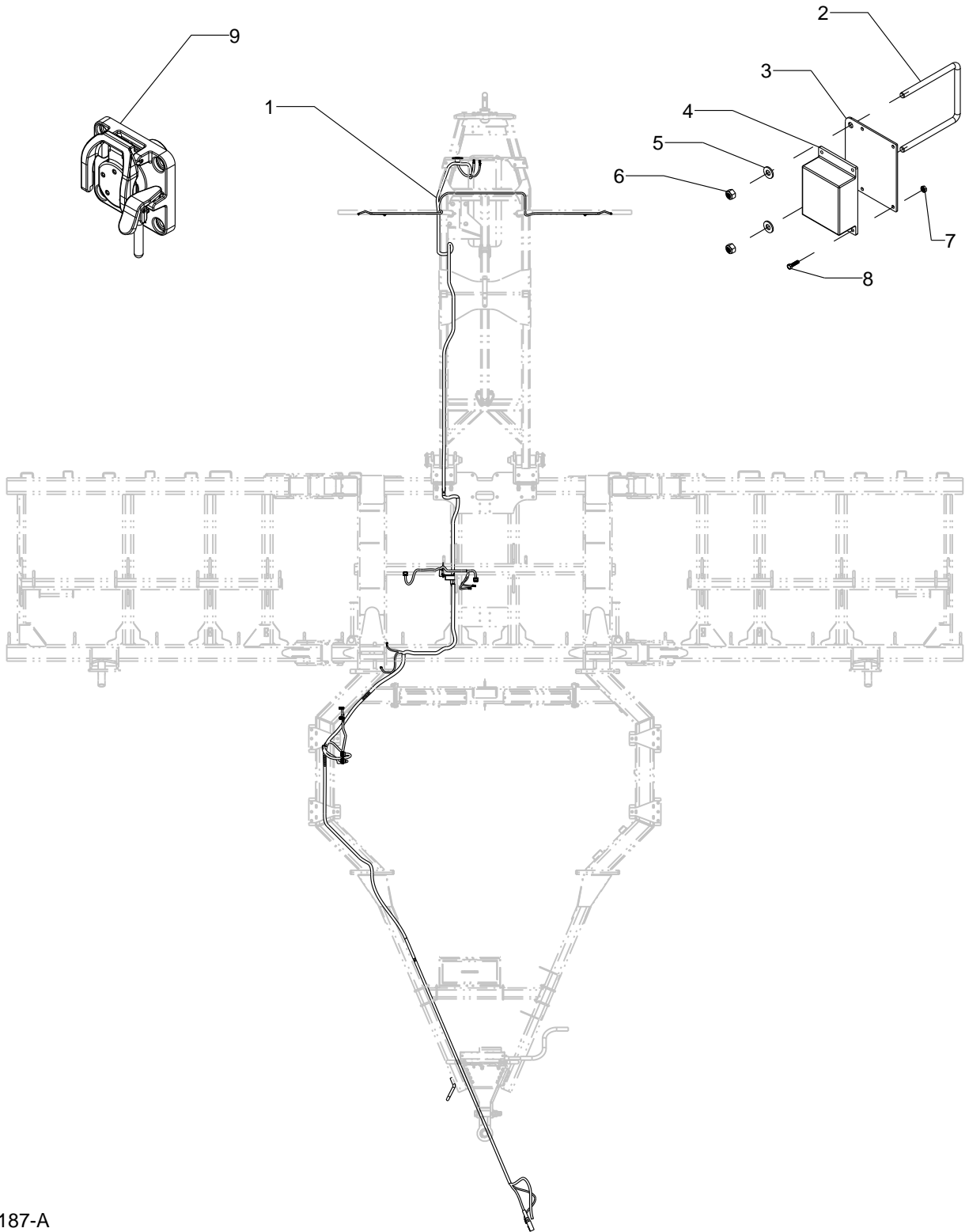
ITEM	PART NO.	QTY	DESCRIPTION
1	P30651	1	SMV EMBLEM S276.6
2	P88203	2	BLT HEX 1/4-20NC X 1 5Z
3	P88261	8	WSHR FLAT 1/4 (5/16 X 3/4ACT) Z
4	P88278	12	WSHR FLAT 5/16 (3/8 X 7/8ACT) Z
5	P88358	12	WSHR HLK 5/16ID Z
6	P88405	1	BLT HEX 3/4-10NC X 1-3/4 5Z
7	P88564	6	NUT JAM 3/8-16NC 5Z
8	P88665	11	NUT TOP LK 3/4-10NC 5Z
9	P89014	2	BLT HEX 3/8-16NC X 2-1/4 5Z FULL
10	P88993	2	BLT HEX 1/4-20NC X 3/4 5Z
11	P89028	8	BLT HEX 1/4-20NC X 1-1/4 5Z
12	P89056	2	NUT NLK 1/4-20NC 5Z
13	P89057	6	BLT HEX 3/4-10NC X 1-1/2 5Z
14	P89389	4	BLT HEX 3/4-10NC X 2-1/2 8YZ
15	P89501	10	NUT TOP LK 1/4-20NC 5Z
16	P88127	8	NUT HEX 5/16-18NC 5Z
17	P89509	8	WASHER-FLAT: SAE .75 8 YZ
18	P223126	4	LIGHT/REFLECTOR BRACKET
19	P321362	2	LIGHT-AMBER HAZARD LED SURF
20	P321363	2	LIGHT-RED STOP/TAIL LED
21	P321662	2	PLATE-LIGHT BRACKET BOT
22	P321664	2	TUBE-LIGHT BRACKET SUPPORT
23	P321665	2	TUBE-LIGHT BRACKET SUPPORT 90DEG
24	P321746	1	WLDMT-REAR LIGHT BRACKET
25	P321838	1	PLATE-LIGHT BAR BRACE
26	P322047	2	LIGHT ARM 54IN
27	PA35824	1	MOUNT-TDD SMV SIGN
28	PA44186	6	U-BOLT: RND .31 X 1.50 X 2.19 ZP
29	P322353	2	PLATE-BUNGEE MOUNT
30	P71400640	2	CHAIN LINK
31	P322355	4	BUNGEE STRAP (NOT SHOWN)
32	P88702	4	SCR SET 3/8NC X 3/4 SQHD CUP-PT Z



M5186-B

## WORK LIGHTS

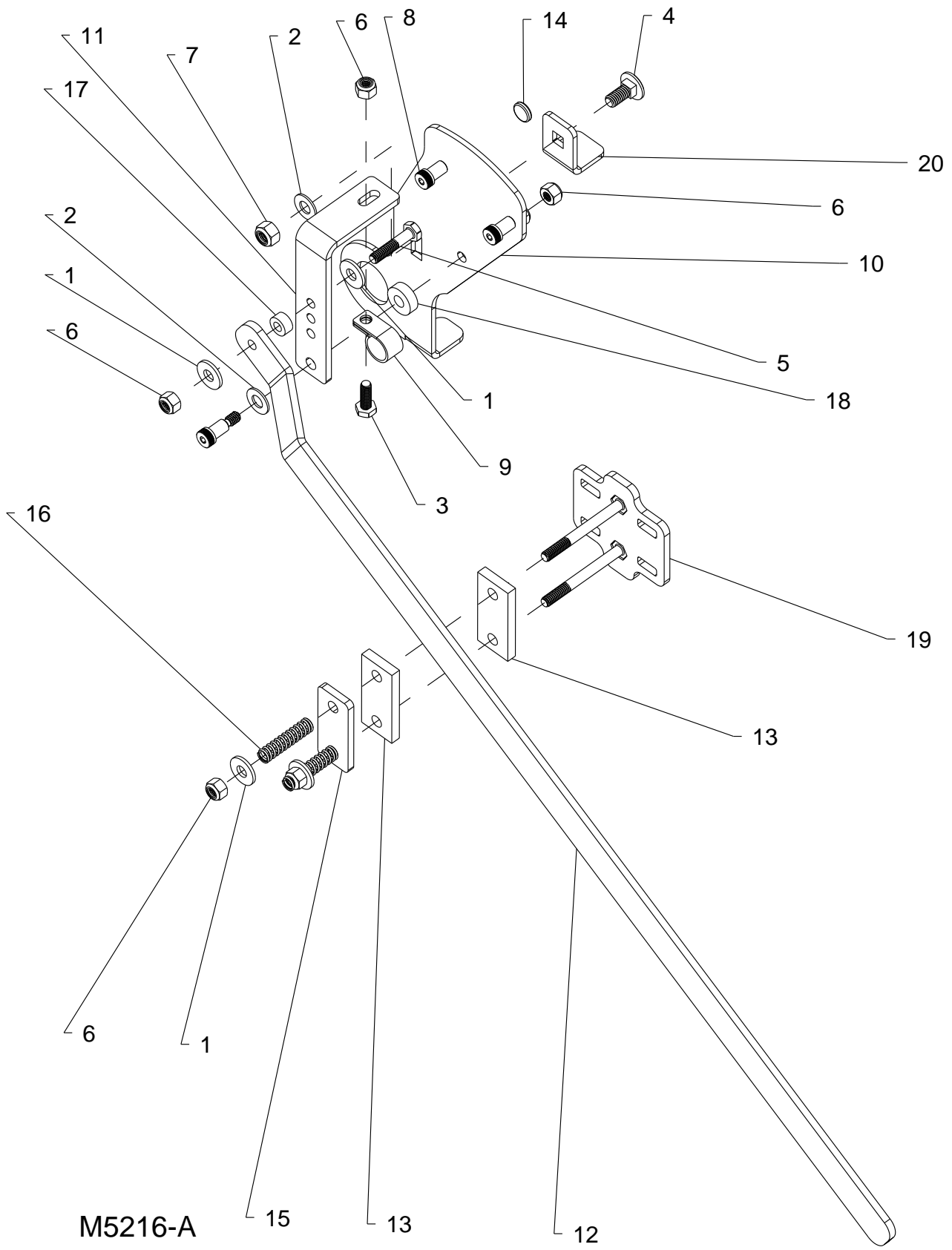
ITEM	PART NO.	QTY	DESCRIPTION
1	PA33530	1	CLAMP-MUFFLER W/SADDLE 1.25 ZP
2	P88172	4	NUT HEX 1/4-20NC 5Z
3	P88191	4	BLT HEX 1/4-20NC X 5/8 5Z
4	P88262	4	WSHR HLK 1/4ID(5/16ACT) Z
5	P88362	4	WSHR HLK 3/8ID Z
6	P236291	2	CABLE TIE 8 IN
7	P301294	3	WORKLIGHT-FLOOD LED NEAR 1800
8	P321367	2	SHEET-WORKLIGHT MNT
9	P331285	1	LIGHT-LED STRIP 78IN
10	P331291	1	BRKT-LED STRIP 78IN
11	P89008	4	BLT HEX 3/8-16NC X 1/2 5Z
12	PA37499	1	SHT-WORK LIGHT BRACKET



M5187-A

## MAIN HARNESS

ITEM	PART NO.	QTY	DESCRIPTION
1	P321410	1	HARNESS-MAIN FRAME NT
2	P88385	1	BLT-U 3/8-16NC X 4 X 5 Z
3	P321406	1	SHEET-MTG LIGHT MODULE
4	PA65341	1	MODULE-INTERFACE
5	P88739	2	WSHR FLAT 3/8 SAE Z
6	P88659	2	NUT TOP LK 3/8-16NC 5Z
7	P1026591	4	NUT-K-LOCK: #10-24 NC GR2 ZP
8	P89339	4	BLT HEX 3/16-24NC X 3/4 5Z
9	P320196	1	CONNECTOR-ISO BOX IBBC (SLAVE)
10	P320197	4	SCREW-SOCKET HD CAP .25NC X 1.00 (NOT SHOWN)
11	P89056	4	NUT NLK 1/4-20NC 5Z (NOT SHOWN)
12	P88478	2	BLT HEX 5/16-18NC X 1 5Z (NOT SHOWN)
13	P88832	2	NUT TOP LK 5/16-18NC 5Z (NOT SHOWN)
14	P1013122	20	TIE-NYLON CABLE 50# X 15.50 (NOT SHOWN)

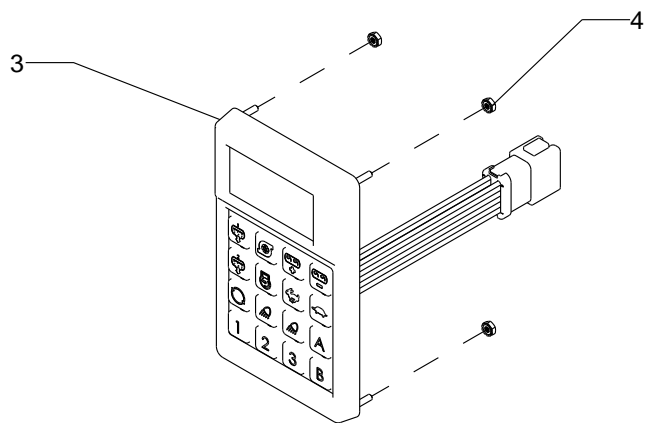
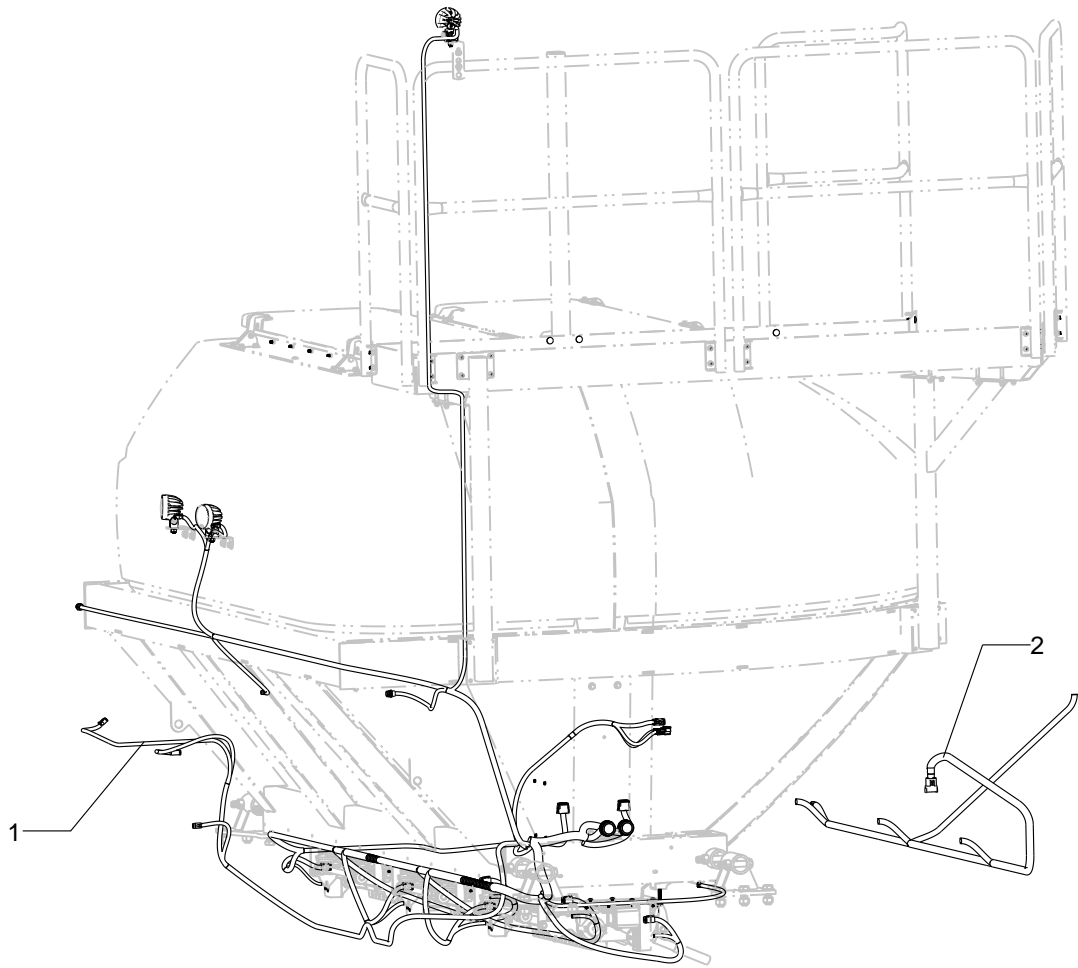


M5216-A

## LIFT SWITCH BRACKET - WELDED CYL

SN: 463692 & UP

ITEM	PART NO.	QTY	DESCRIPTION
1	P88261	4	WSHR FLAT 1/4(5/16 X 3/4ACT) Z
2	P88278	2	WSHR FLAT 5/16(3/8 X 7/8ACT) Z
3	P88993	1	BLT HEX 1/4-20NC X 3/4 5Z
4	P89000	1	BLT CRG 5/16-18NC X 3/4 SHTNK 2Z
5	P89028	1	BLT HEX 1/4-20NC X 1-1/4 5Z
6	P89056	7	NUT NLK 1/4-20NC 5Z
7	P89559	1	NUT NLK 5/16-18NC 5Z
8	P89596	3	BLT - SHOULDER 1/4-20X1/2
9	P322239	1	P-CLIP - .625 X .25
10	P330945	1	PLATE - CLEVIS MOUNT
11	P330946	1	PLATE - SWING ARM
12	P330947	1	PLATE - PUSH ARM
13	P330949	2	BLOCK - NYLON SLIDER
14	P330950	1	MAGNET 1/2X.125
15	P330951	1	SLIDE PLATE
16	P330955	2	SPRING - LIFT SWITCH
17	P330956	1	SPACER - NYLON 1/4ID 1/2 OD X 1/2
18	P330958	1	SPACER - ALM 5/16ID X 3/4OD X 1/4
19	P330962	1	WLDMT - LIFT SWITCH WLD CYL
20	P330997	1	SHEET - CLAMPING BOOT WORK SWITCH
21	PA66508	1	SENSOR - WORK SWITCH ISO (NOT SHOWN)
22	PA1026256	2	CLAMP-HOSE: #88 3.13-6.00 (NOT SHOWN)

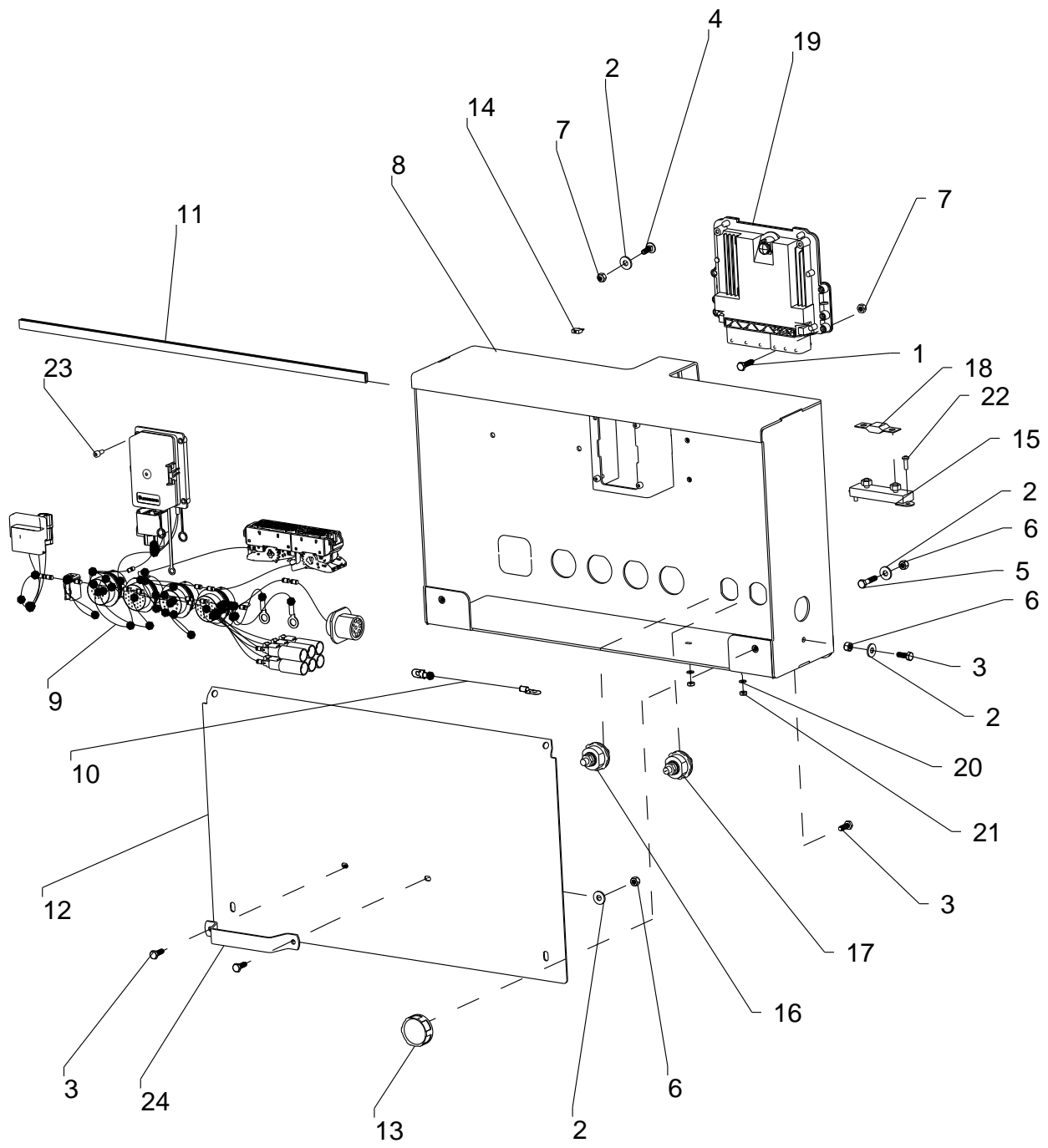


M5188-B



## HOPPER ELECTRONICS

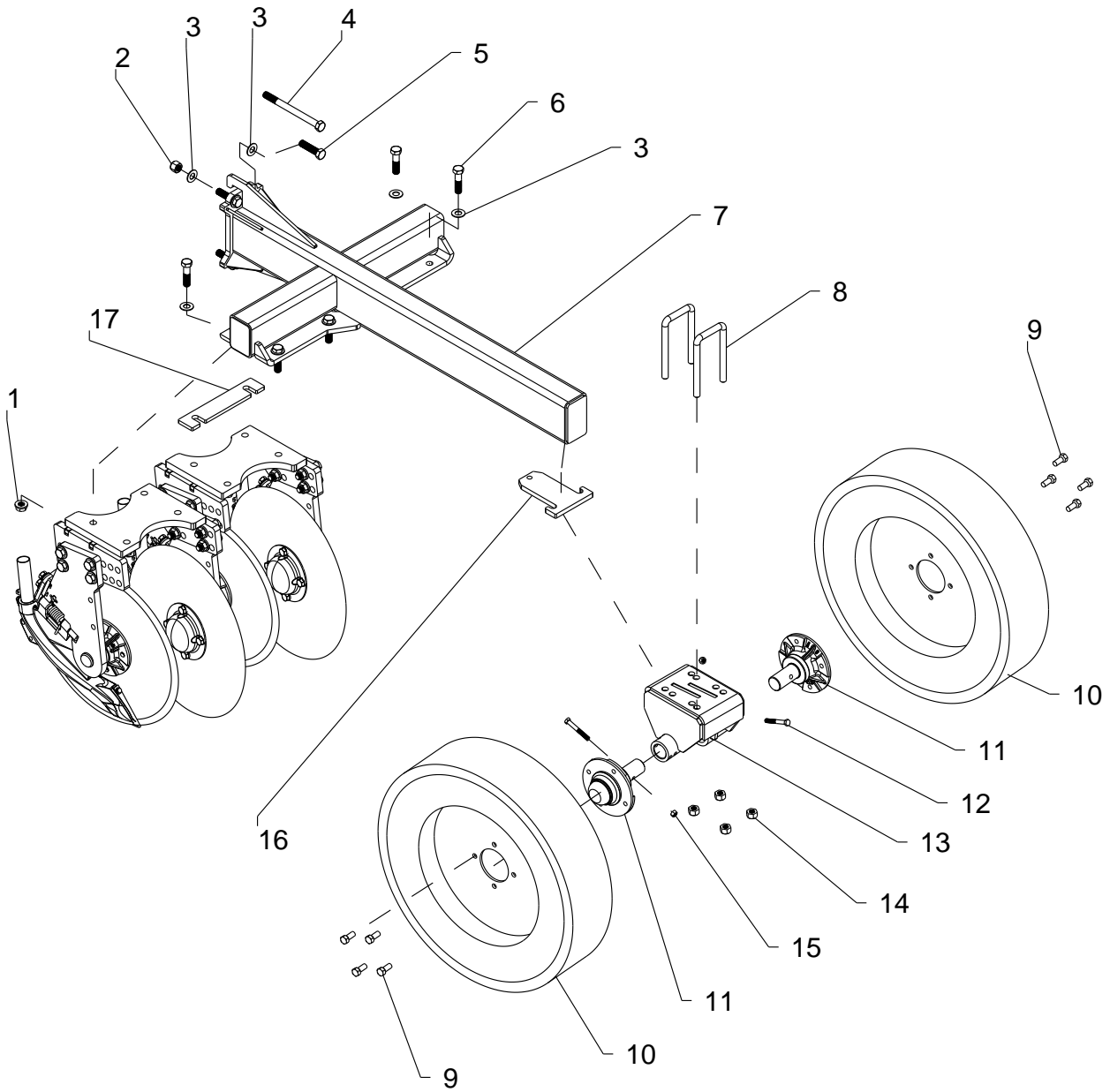
ITEM	PART NO.	QTY	DESCRIPTION
1	P321414	1	HARNESS-SYSTEM HOPPER NT
2	P321895	2	HARNESS-HOPPER BLKHD
3	P321365	1	KEYPAD-CALIBRATION
4	P89591	4	NUT KLK 4MM X .7 ZP
5	P321806	AR	ZIP TIE; PANEL: .031-.276; 50# (NOT SHOWN)
6	P1013122	AR	ZIP TIE; 50# X 15.50 (NOT SHOWN)
7	P586540D1	8	SENSOR-BIN LEVEL 12IN W/CONN (NOT SHOWN)
8	PA33005	2	SENSOR-SPEED GPS (NOT SHOWN)
9	P321899	1	HARNESS-DRILL SUPPLY POWER (NOT SHOWN)
10	P321900	1	HARNESS-TRACTOR SUPPLY POWER (NOT SHOWN)



M5175-C

## ELECTRICAL BOX

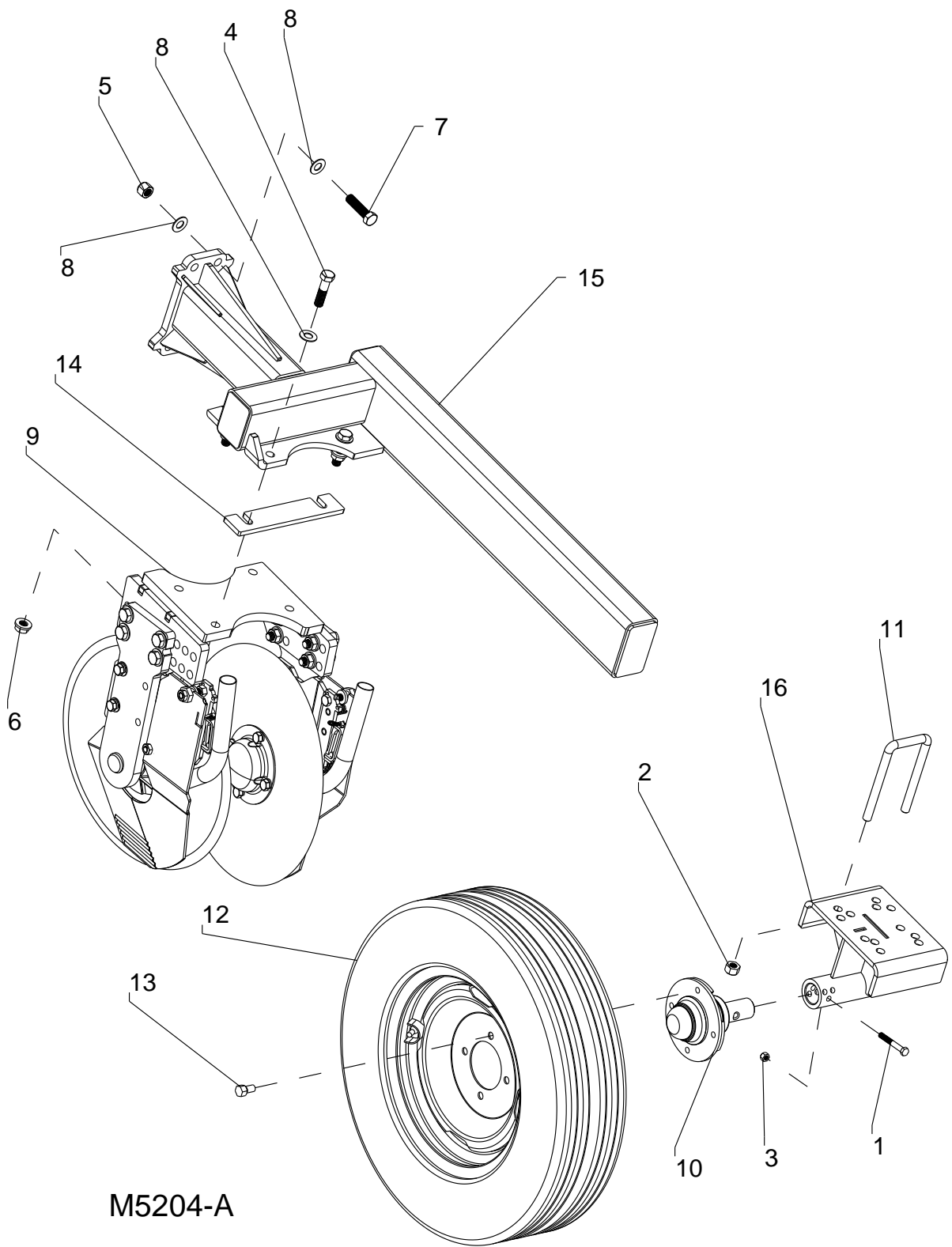
ITEM	PART NO.	QTY	DESCRIPTION
1	P88203	4	BLT HEX 1/4-20NC X 1 5Z
2	P88261	8	WSHR FLAT 1/4(5/16 X 3/4ACT) Z
3	P88993	5	BLT HEX 1/4-20NC X 3/4 5Z
4	P88994	1	BLT CRG 1/4-20NC X 3/4 SHT NK 5Z
5	P89028	2	BLT HEX 1/4-20NC X 1-1/4 5Z
6	P89056	3	NUT NLK 1/4-20NC 5Z
7	P89501	7	NUT TOP LK 1/4-20NC 5Z
8	P321360	1	WLDMT-ELEC BOX NT
9	P321413	1	HARNESS-SYSTEM CNTRL EBOX NT
10	P321898	1	CABLE-JUMPER (+)
11	P322201	1	TRIM-RUBBER (EBOX)
12	P330938	1	COVER - E-BOX NT
13	P330942	2	KNOB - PHENOLIC FLUTED 1/4-20 X 3/8
14	P519968	13	FUSE-10A MINI
15	P1550038	1	FUSE - HOLDER
16	P524651D1	1	STUD AS - POSITIVE
17	P524652D1	1	STUD AS - NEGATIVE
18	P530086D1	1	FUSE-MAIN, 100A
19	P560205D1	1	BOSCH-CNTRL SRC9-34 EXT LIGHT
20	PA1032060	2	WASHER-FLAT: .19 SS
21	PA65348	2	NUT-HEX: SS 10-24
22	PA65839	2	SCREW-P-H: #10 X .75 NC SS
23	PA67554	4	SCREW-HEX CAP M5-0.8 X 12 SS A2
24	PA68715	1	HANDLE-GRAB DOOR
25	P322363	1	WIRE-DIAGNOSTIC CAP TETHER (NOT SHOWN)
26	P322050	2	ALUMINUM COMPRESSION SLEEVE 1/16 (NOT SHOWN)



M5183-B

## REAR TOOLBAR 6-9 ASSEMBLY

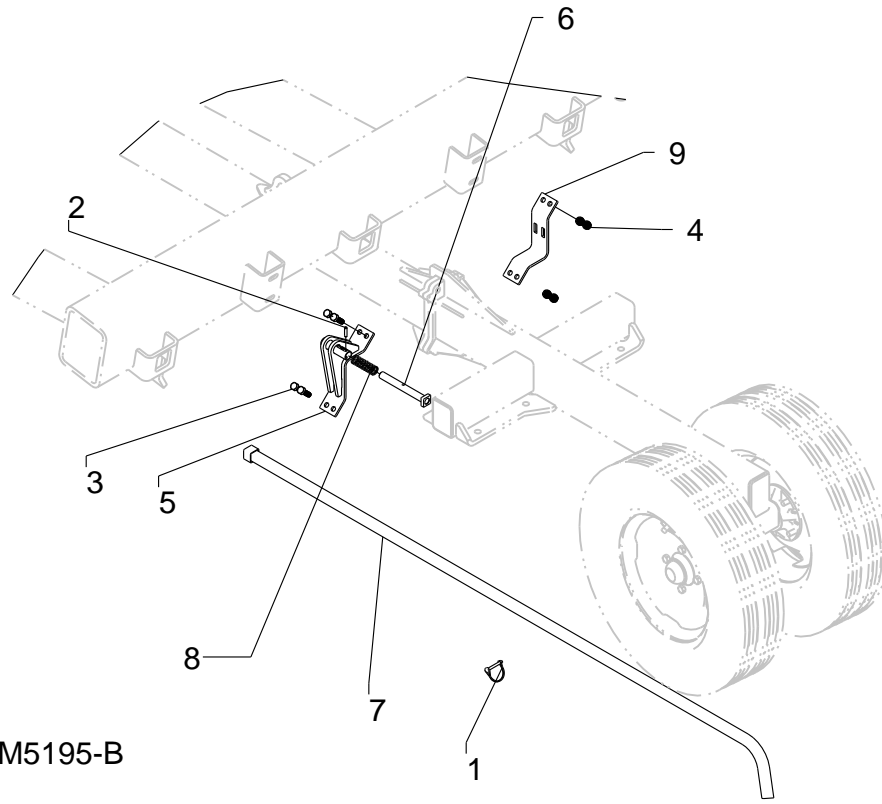
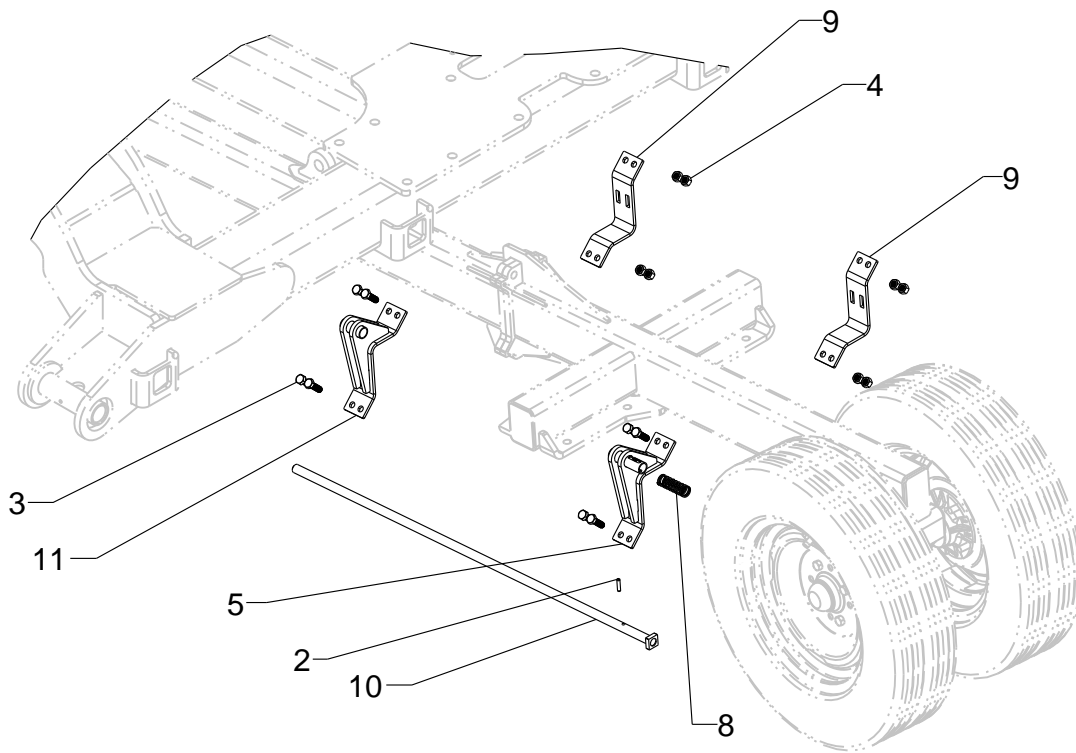
ITEM	PART NO.	QTY	DESCRIPTION
1	P89505	8	NUT-TOPLOCK FLANGE .63 NC GR8 ZP
2	P89499	1	NUT TOP LK 5/8-18NF 8Z
3	P89524	13	WSHR FLT 5/8SAE(21/32 X 1-5/16) 8YZ
4	P89558	1	BLT HEX 5/8-18NF X 7-1/2 8YZ
5	P89517	4	BLT HEX 5/8-18NF X 2-1/2 8YZ
6	P89121	8	BLT HEX 5/8-11NC X 2-1/2 8YZ
7	PA35603	1	WLDMT-TOOLBAR REAR
8	PA34264	2	BLT-U 5/8-11NC X 3 X 6-1/2 Z
9	P89461	8	BLT-WHL 1/2-20 UNF X 1.0 (3/4 HEAD) 5Z
10	PA34355	2	WHL ASSY PACKER TIRE (6.50)
11	P354054	2	PACKER HUB & SPINDLE ASY
12	P88582	2	BLT HEX 3/8-16NC X 2-3/4 5Z
13	PA35071	1	WLDMT-PACKER MNT LH
	PA35057	1	WLDMT-PACKER MNT RH
14	P88627	4	NUT NYLK 5/8-11NC 5Z
15	P88659	2	NUT TOP LK 3/8-16NC 5Z
16	P320553	1	SHIM-PACKER WHEEL DEPTH .50 ZP
17	PA36085	1	PLATE-SPACER .375 SDD SEED ZP



M5204-A

## REAR TOOLBAR 6-24 SPACING

ITEM	PART NO.	QTY	DESCRIPTION
1	P88582	1	BLT HEX 3/8-16NC X 2-3/4 5Z
2	P88627	4	NUT NLK 5/8-11NC 5Z
3	P88659	1	NUT TOP LK 3/8-16NC 5Z
4	P89121	4	BLT HEX 5/8-11NC X 2-1/2 8YZ
5	P89499	4	NUT TOP LK 5/8-18NF 8Z
6	P89505	4	NUT-TOPLOCK FLANGE .63 NC GR8 ZP
7	P89517	4	BLT HEX 5/8-18NF X 2-1/2 8YZ
8	P89524	12	WSHR FLT 5/8SAE (21/32 X 1-5/16) 8YZ
9	NS	1	ASSY-OPENER SDD LH
	NS		ASSY-OPENER SDD RH
10	P354054	1	4-BOLT HUB & SPINDLE
11	PA34264	2	BLT-U 5/8-11NC X 3 X 6-1/2 Z
12	PA34355	1	WHL ASSY PACKER TIRE (6.50)
	P241616		PACKER RIM 4.5 X 15 4 BOLT
	PA34395		VALVE STEM-PACKER TIRE
13	PA34927	1	BLT-WHL 1/2-20 UNF X 0.75 (3/4 HEAD) 5Z
14	PA36085	1	PLATE-SPACER .375 SDD SEED ZP
15	PA36293	1	WLDMT-TOOLBAR REAR SB LH
	P320698		WLDMT-TOOLBAR REAR SB RH
16	PA36302	1	WLDMT-PACKER MT. SB

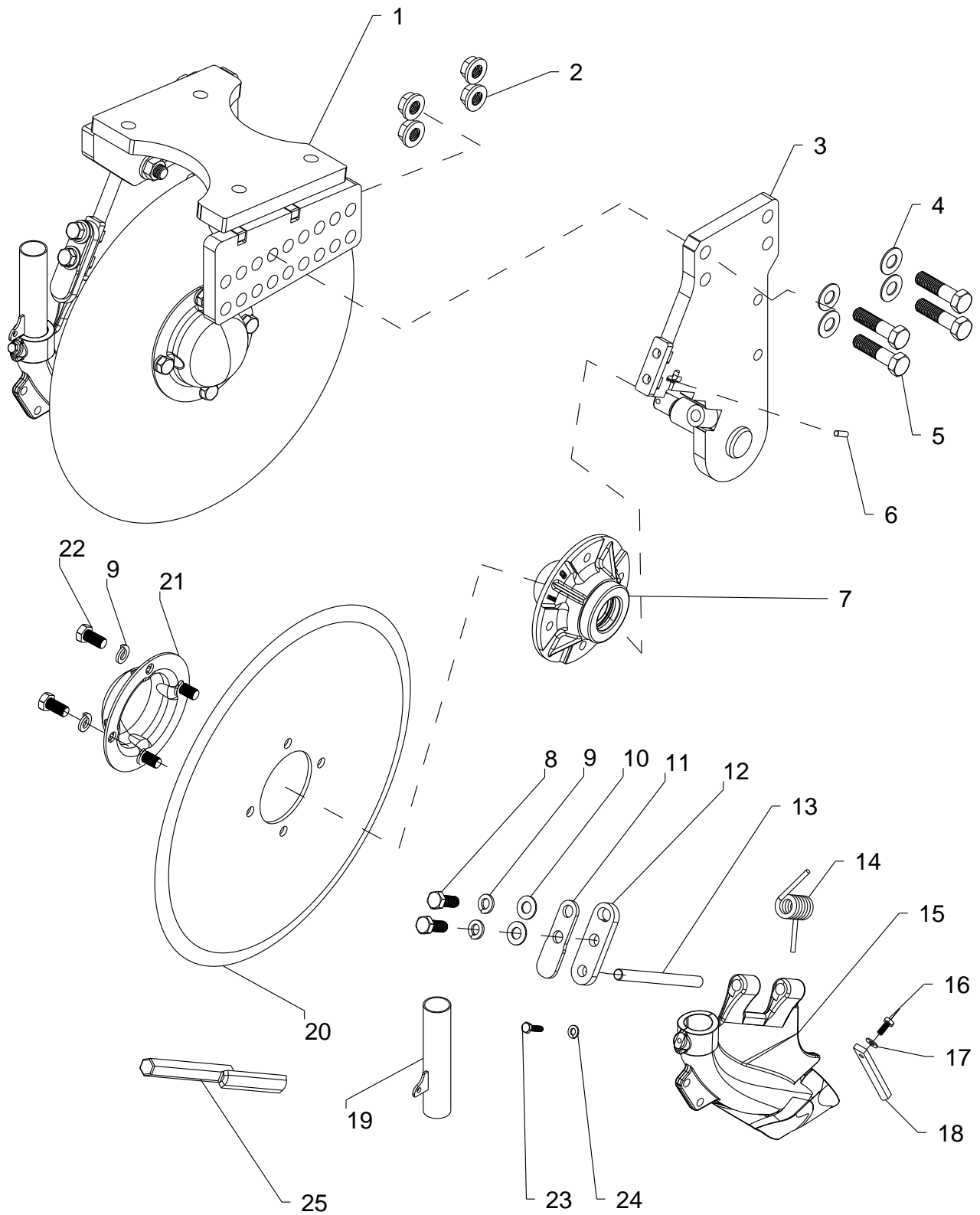


M5195-B



## TOOLBAR LOCK ASSEMBLY

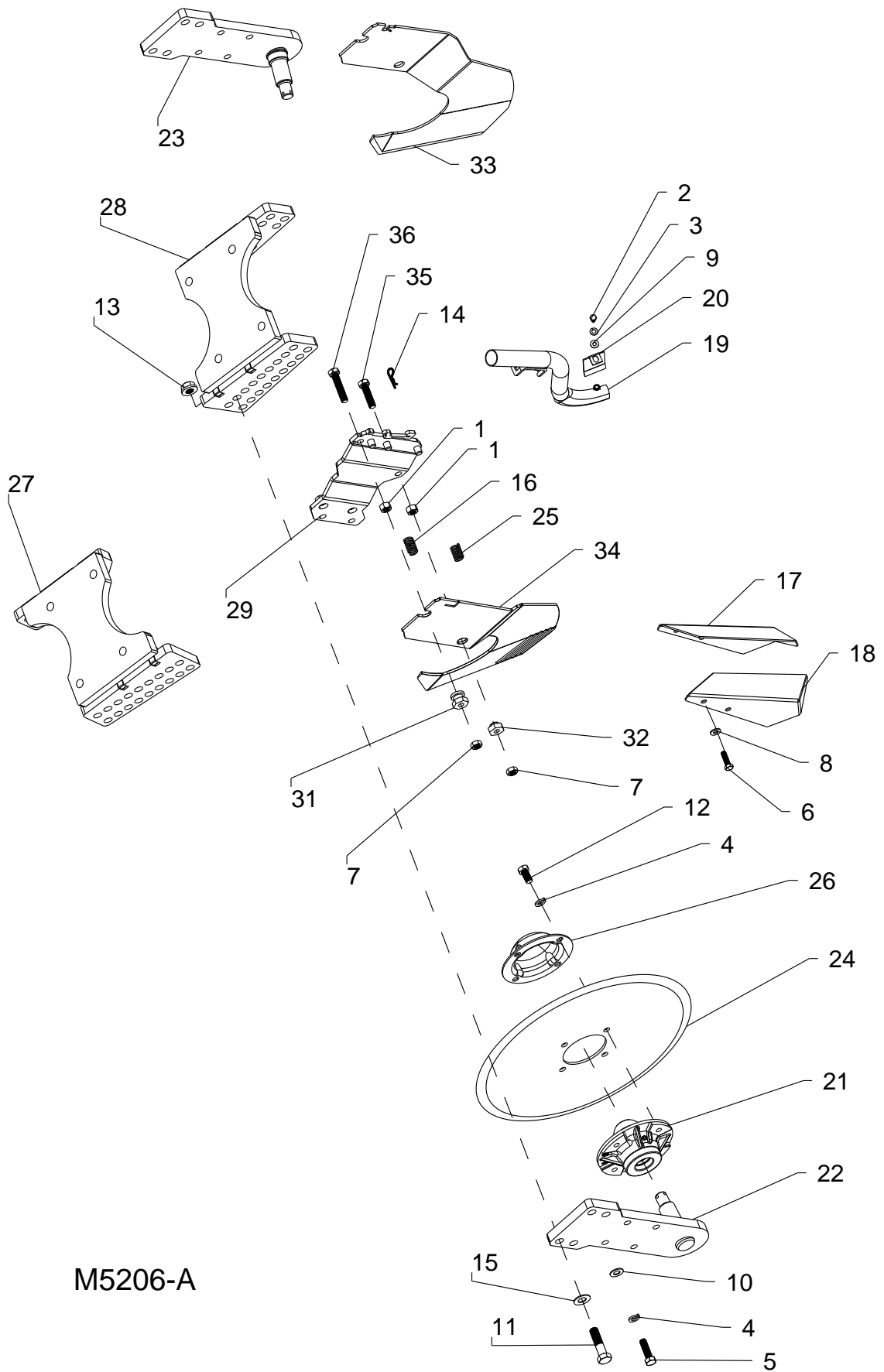
ITEM	PART NO.	QTY	DESCRIPTION
1	P24212	12	PIN-LYNCH
2	P46275	12	PIN ROLL 1/4 X 1-1/8 Z
3	P88475	64	BLT HEX 1/2-13NC X 1-1/2 5Z
4	P88661	64	NUT TOP LK 1/2-13NC 5Z
5	P321612	12	WLDMT-TOOLBAR LOCKUP MT LH
	P321613		WLDMT-TOOLBAR LOCKUP MT RH (NOT SHOWN)
6	P321614	6	WLDMT-TOOLBAR LOCK PIN (WING)
7	P321628	1	WLDMT-TOOLBAR WRENCH
8	PA36335	12	SPRING-SDD TOOLBAR LOCK
9	PA36340	16	PLATE-SDD TOOL BAR LOCK CLAMP
10	P321632	4	WLDMT-TOOLBAR LOCK PIN (MAIN FRAME)
11	PA36338	4	WLDMT-SDD TOOLBAR LOCKUP (MAIN FRAME)



M5181-C

## OPENER ASSEMBLY - CAST BOOT

ITEM	PART NO.	QTY	DESCRIPTION
1	PA34835	1	WLDMT-OPENER MT. SDD ADJ LH
	PA34826	1	WLDMT-OPENER MT. SDD ADJ RH (NOT SHOWN)
2	P89505	8	NUT-TOPLOCK FLANGE .63 NC GR8 ZP
3	P321322	1	WLDMT-OPENER STRUT INT HINGE LH
	P321321	1	WLDMT-OPENER STRUT INT HINGE RH (NOT SHOWN)
4	P89524	8	WSHR FLT 5/8SAE(21/32 X 1-5/16) 8YZ
5	P89121	8	BLT HEX 5/8-11NC X 2-1/2 8YZ
6	P321326	2	ROD-SPRING STOP
7	P321839	NS	ASSY-HUB GROUP 1.68" (COULTER/SDD)
8	P88554	4	BLT HEX 1/2-13NC X 1-1/4 5Z
9	P88303	12	WSHR HLK 1/2ID(9/16ACT) Z
10	P89054	4	WSHR FLAT 1/2SAE Z
11	P320715	2	PLATE-PIN RETAINER
12	P320714	2	PLATE-PIN CLEVIS
13	P321724	2	PIN-INTEGRATED BOOT
14	P320695	2	SPRING-CAST SEEDBOOT TORSION
15	P321342L	1	BOOT-INTEGRATED HINGE LH PC
	P321343R	1	BOOT-INTEGRATED HINGE RH PC (NOT SHOWN)
16	P88191	2	BLT HEX 1/4-20NC X 5/8 5Z
17	P88855	2	WSHR FLAT 1/4SAE(9/32 X 5/8ACT) Z
18	P321341	2	SEED FINGER- SHORT BLUE
19	P320752	2	WLDMT-CAST SEED BOOT TUBE
20	PA34354	2	DISC-SDD 18
21	PA34565	2	DUST CAP PROTECTOR YZP
22	P89290	8	BLT HEX 1/2-20NF X 1 5Z
23	P88203	2	BLT HEX 1/4-20NC X 1 5Z
24	P88262	2	WSHR HLK 1/4ID(5/16ACT) Z
25	P356475	AR	ASSEMBLY TOOL



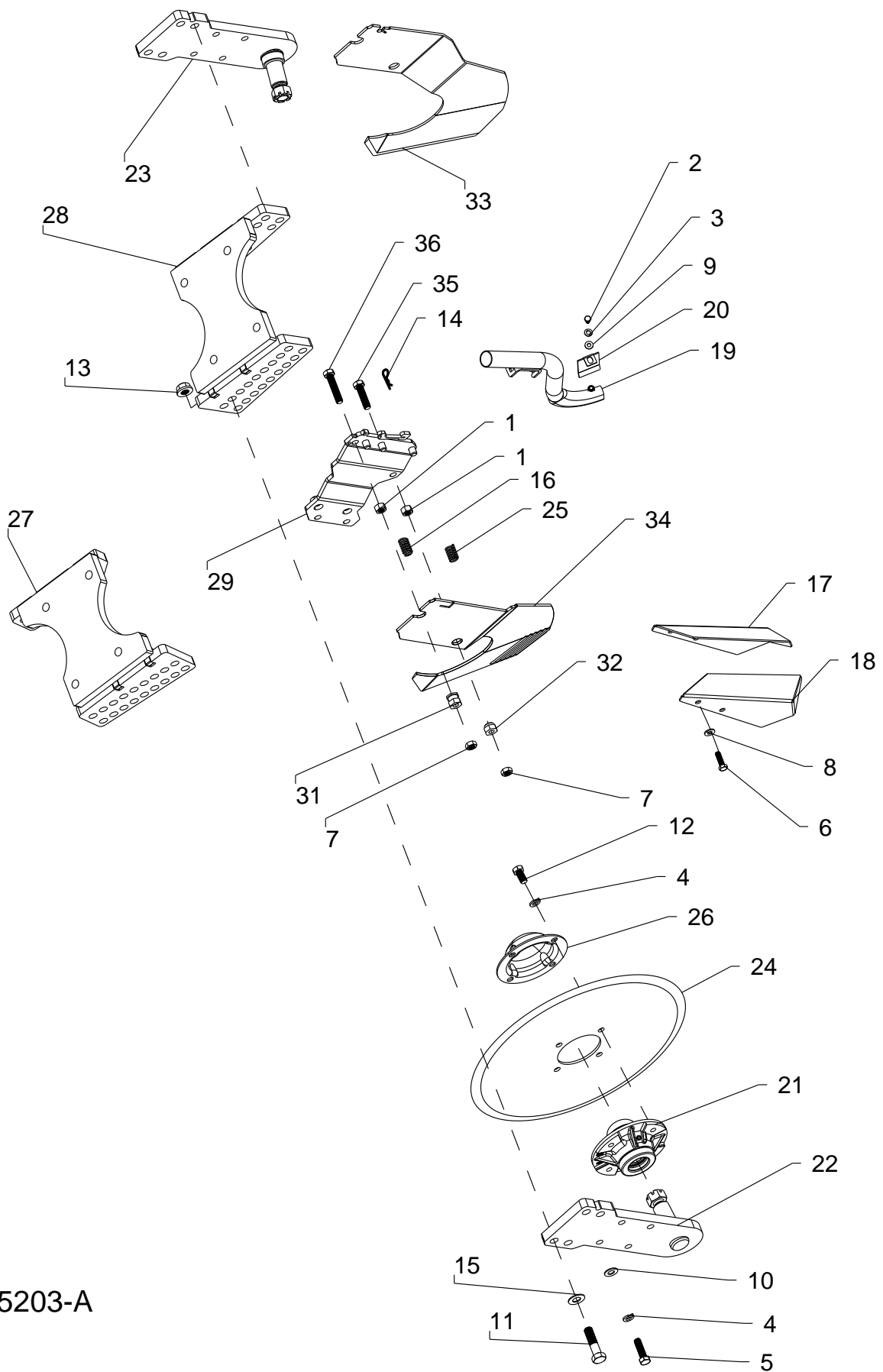
M5206-A

## OPENER ASSEMBLY-STEEL BOOT

SN: THRU 463808

ITEM	PART NO.	QTY	DESCRIPTION
1	P88104	4	NUT HEX 1/2-13NC 5Z
2	P88190	2	BLT HEX 1/4-20NC X 1/2 5Z
3	P88262	2	WSHR HLK 1/4ID(5/16ACT) Z
4	P88303	12	WSHR HLK 1/2ID(9/16ACT) Z
5	P88517	4	BLT HEX 1/2-13NC X 1-3/4 5Z
6	P88555	AR	BOLT HEX 3/8-16NC X 1-1/4 5Z
7	P88561	4	NUT JAM 1/2-13NC 5Z
8	P88739	AR	WSHR FLAT 3/8SAE(12/32 X 13/16)Z
9	P88855	2	WSHR FLAT 1/4SAE(9/32 X 5/8ACT) Z
10	P89054	4	WSHR FLAT 1/2SAE Z
11	P89121	8	BLT HEX 5/8-11NC X 2-1/2 8YZ
12	P89290	8	BLT HEX 1/2-20NF X 1 5Z
13	P89505	8	NUT-TOPLOCK FLANGE .63 NC GR8 ZP
14	P89520	2	PIN-HAIR: .109 X 1.63 Z
15	P89524	8	WSHR FLT 5/8SAE(21/32 X 1-5/16) 8YZ
16	P320133	2	SPR CMPRSN YZD
17	P320551	1	SHIELD-SEEDING STRUT LH
18	P320552	1	SHIELD-SEEDING STRUT RH
19	P321122	2	WLDMT-REVERSE SEED TUBE STANDOFF
20	P321123	2	PLATE-WEAR REVERSE SEED TUBE
21	PA34574	2	ASSY-HUB GROUP (COULTER/SDD)
22	PA34832	1	WLDMT-OPENER STRUT LH
23	PA34834	1	WLDMT-OPENER STRUT RH
24	PA34354	2	DISC-SDD 18
25	PA34516	2	SPRING-COMPRESSION ZP
26	PA34565	2	DUST CAP PROTECTOR YZP
27	PA34826	1	WLDMT-OPENER MT. SDD ADJ RH
28	PA34835	1	WLDMT-OPENER MT. SDD ADJ LH
29	PA35375-1	1	WLDMT-SEED BACKING LH
30	PA35376-1	1	WLDMT-SEED BACKING RH (NOT SHOWN)
31	P320615	2	NUT-GROOVED SCRAPER ZP
32	P320616	2	NUT-COLLAR SCRAPER ZP
33	PA35632	1	SCRAPER-SEED DISC RH PC
	PA36324	1	SCRAPER-SEED DISC RH PC SHORT
34	PA35633	1	SCRAPER-SEED DISC LH PC
	PA36325	1	SCRAPER-SEED DISC LH PC SHORT
35	PA36182	2	BOLT-HEX .50X2.00 NC GR8 YZP F NDP
36	PA36183	2	BOLT-HEX .50X2.50 NC GR8 YZP F NDP

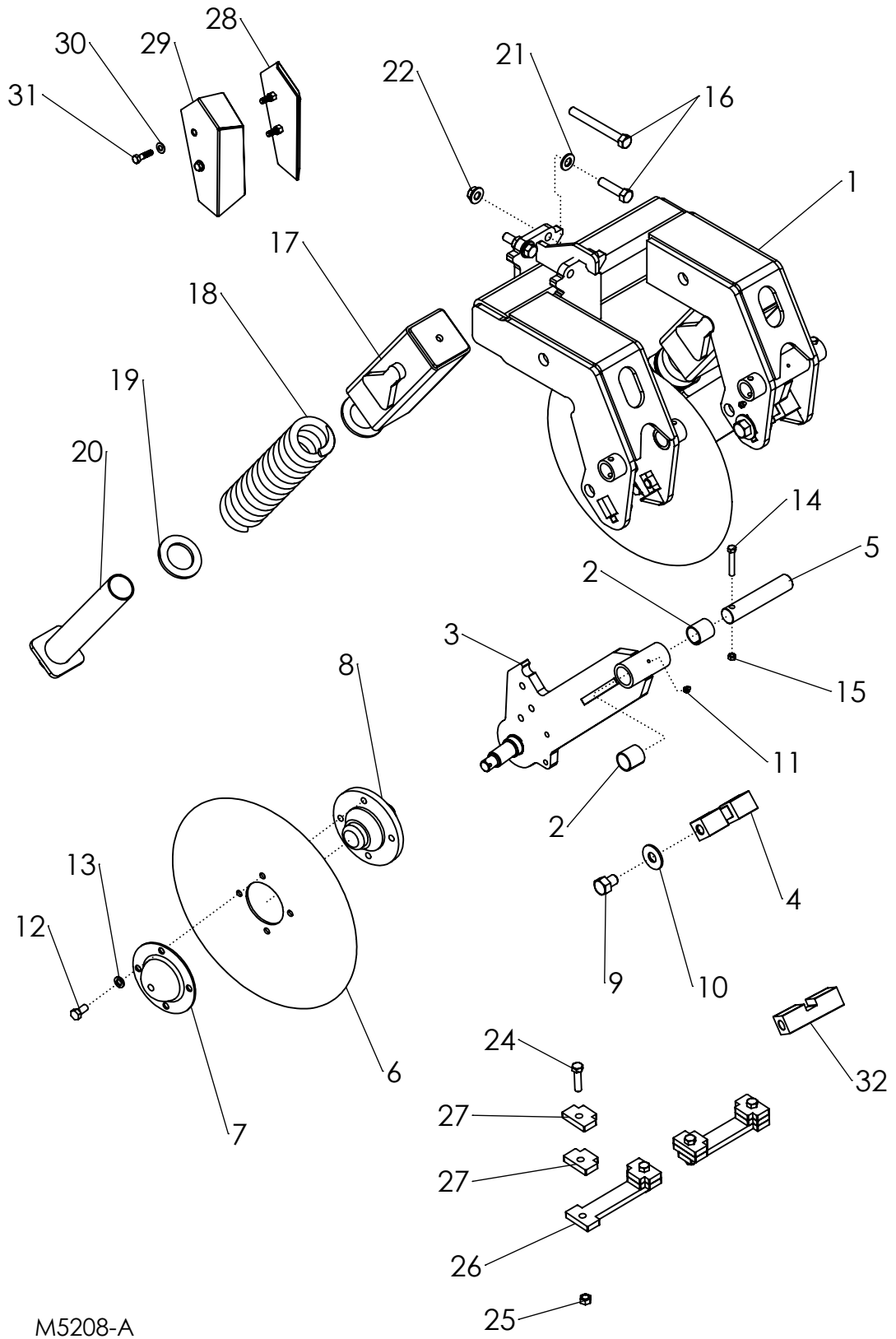
M5203-A



## OPENER ASSEMBLY-STEEL BOOT

SN: 463809 & UP

ITEM	PART NO.	QTY	DESCRIPTION
1	P88104	4	NUT HEX 1/2-13NC 5Z
2	P88190	2	BLT HEX 1/4-20NC X 1/2 5Z
3	P88262	2	WSHR HLK 1/4ID(5/16ACT) Z
4	P88303	12	WSHR HLK 1/2ID(9/16ACT) Z
5	P88517	4	BLT HEX 1/2-13NC X 1-3/4 5Z
6	P88555	AR	BOLT HEX 3/8-16NC X 1-1/4 5Z
7	P88561	4	NUT JAM 1/2-13NC 5Z
8	P88739	AR	WSHR FLAT 3/8SAE(12/32 X 13/16) Z
9	P88855	2	WSHR FLAT 1/4SAE(9/32 X 5/8ACT) Z
10	P89054	4	WSHR FLAT 1/2SAE Z
11	P89121	8	BLT HEX 5/8-11NC X 2-1/2 8YZ
12	P89290	8	BLT HEX 1/2-20NF X 1 5Z
13	P89505	8	NUT-TOPLOCK FLANGE .63 NC GR8 ZP
14	P89520	2	PIN-HAIR: .109 X 1.63 Z
15	P89524	8	WSHR FLT 5/8SAE(21/32 X 1-5/16) 8YZ
16	P320133	2	SPR CMPRSN YZD
17	P320551	1	SHIELD-SEEDING STRUT LH
18	P320552	1	SHIELD-SEEDING STRUT RH
19	P321122	2	WLDMT-REVERSE SEED TUBE STANDOFF
20	P321123	2	PLATE-WEAR REVERSE SEED TUBE
21	P321839	2	ASSY-HUB GROUP 1.68" (COULTER/SDD)
22	P322338	1	WLDMT-OPENER STRUT LH (1.68)
23	P322339	1	WLDMT-OPENER STRUT RH (1.68)
24	PA34354	2	DISC-SDD 18
25	PA34516	2	SPRING-COMPRESSION ZP
26	PA34565	2	DUST CAP PROTECTOR YZP
27	PA34826	1	WLDMT-OPENER MT. SDD ADJ RH
28	PA34835	1	WLDMT-OPENER MT. SDD ADJ LH
29	PA35375-1	1	WLDMT-SEED BACKING LH
30	PA35376-1	1	WLDMT-SEED BACKING RH (NOT SHOWN)
31	P320615	2	NUT-GROOVED SCRAPER ZP
32	P320616	2	NUT-COLLAR SCRAPER ZP
33	PA35632	1	SCRAPER-SEED DISC RH PC
	PA36324	1	SCRAPER-SEED DISC RH PC SHORT
34	PA35633	1	SCRAPER-SEED DISC LH PC
	PA36325	1	SCRAPER-SEED DISC LH PC SHORT
35	PA36182	2	BOLT-HEX .50X2.00 NC GR8 YZP F NDP
36	PA36183	2	BOLT-HEX .50X2.50 NC GR8 YZP F NDP

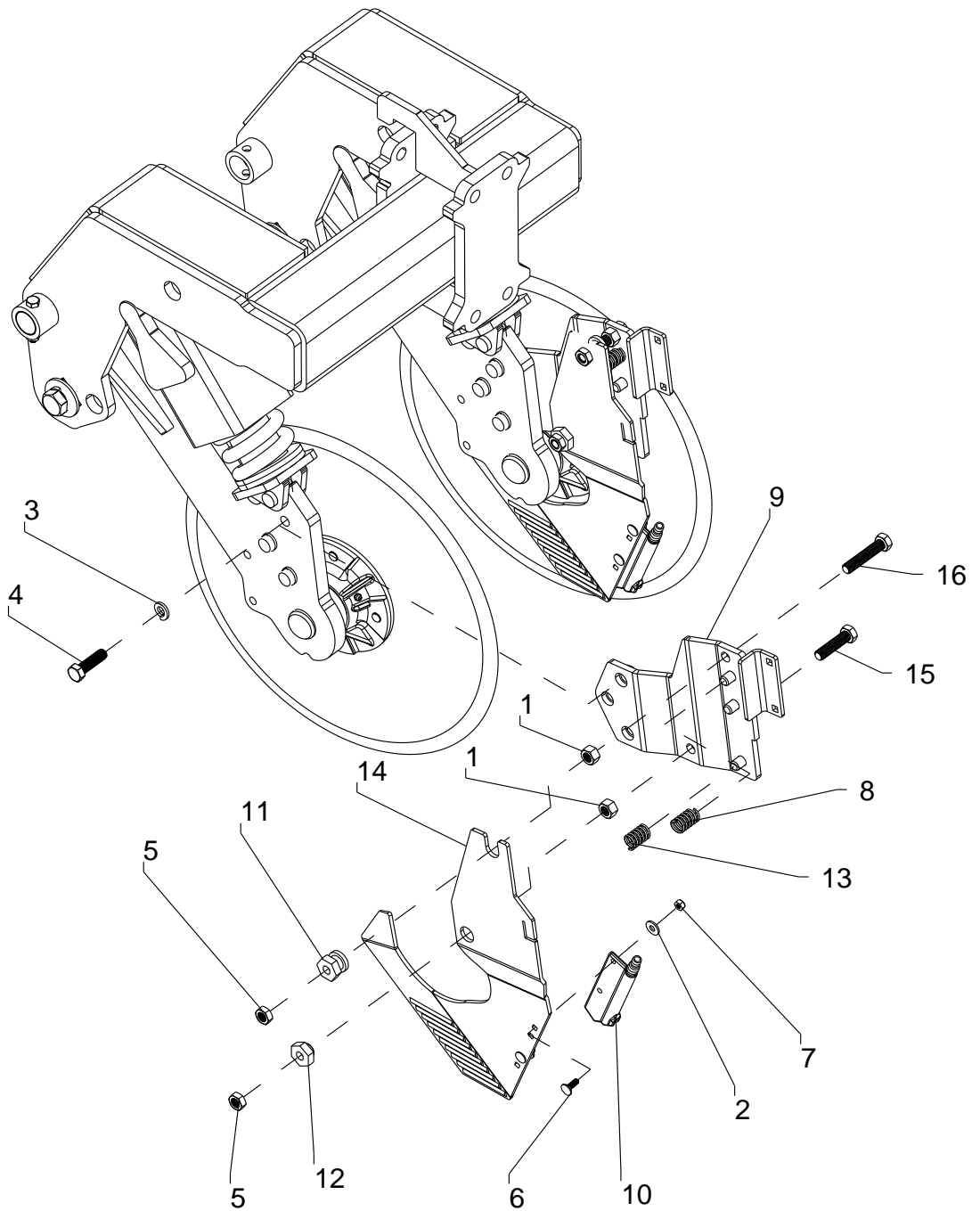


M5208-A



## MID-ROW BANDER 6-9 ASSEMBLY

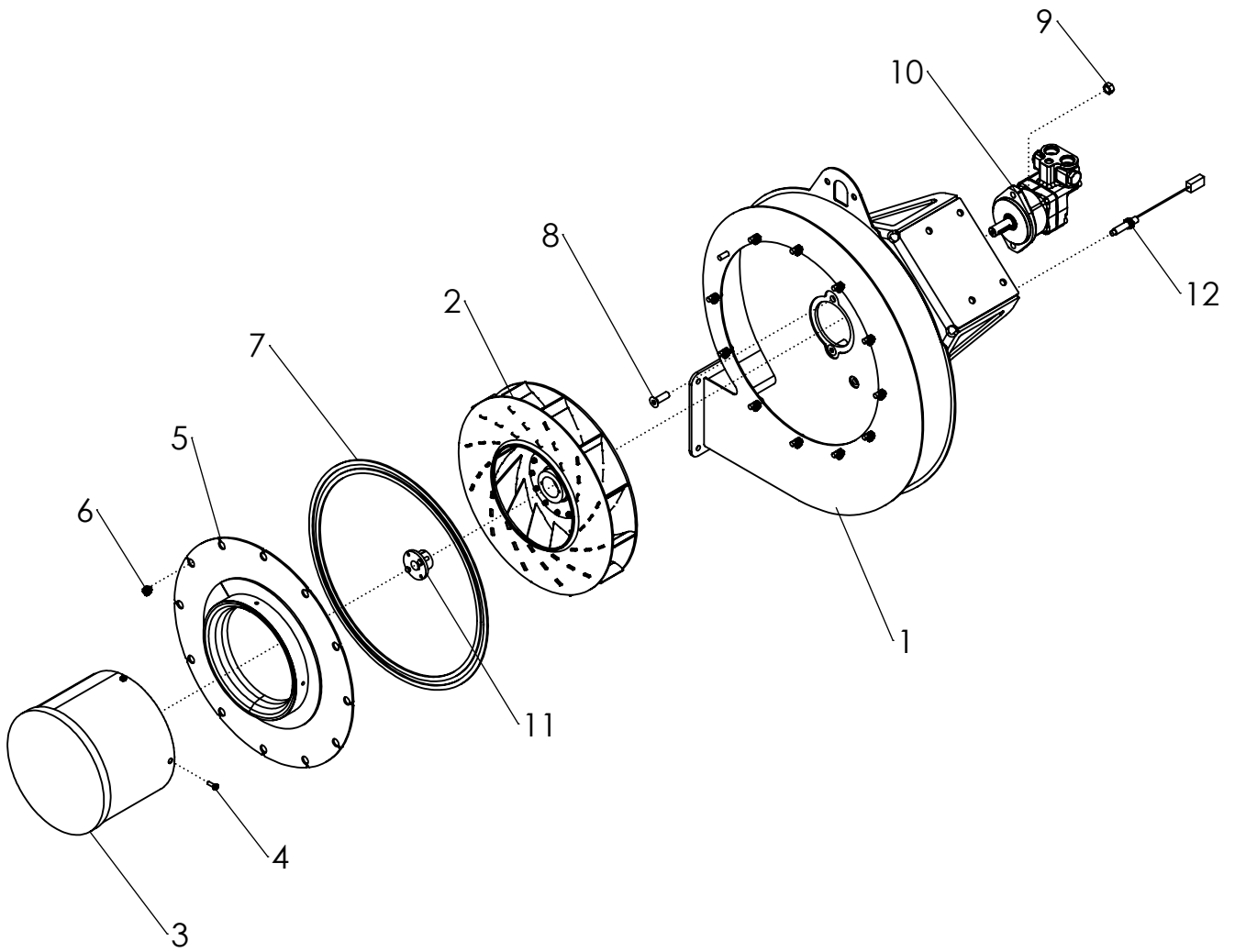
ITEM	PART NO.	QTY	DESCRIPTION
1	PA34932	1	WLDMT-MID ROW BANDER SDD RH
	PA34933		WLDMT-MID ROW BANDER SDD LH
2	PA60590	2	BUSHING-SPLIT 1.50 X 1.25 X 1.50
3	PA36327	2	WLDMT-STRUT MROW BANDER RH 6°
	PA36328		WLDMT-STRUT MROW BANDER LH 6°
4	PA34976	2	BLOCK-ADJ. MROW BANDER
5	P320979	2	PIN-STRUT MROW YZP
6	PA34354	2	DISC-SDD 18"
7	PA34565	2	DUST CAP PROTECTOR YZP
8	NS	2	ASSY-HUB GROUP (COULTER/SDD)
9	P89536	4	BOLT-HEX: .75 X 1.00 NC GR5 ZP
10	P88131	4	WASHER-FLAT .75 ZP
11	P88550	2	ZERK - GREASE
12	P89290	8	BOLT-HEX: .50 X 1.00 NF GR5 ZP
13	P88303	8	WASHER-LOCK: .50 ZP
14	P88581	2	BOLT-HEX: .38 X 2.25 NC GR5 ZP
15	P88832	2	NUT-TOPLOCK: .31 NC GR5 ZP
16	P89517	4	BOLT-HEX: .63 X 2.50 NF GR8 ZP
	P89558	4	BOLT-HEX: .63 X 7.50 NF GR8 ZP
17	PA34958	2	WLDMT-SPRING TUBE
18	PA34957	2	SPRING-FERTILIZER BANDER
19	PA36086	4	SHIM-FERTILIZER BANDER
20	PA34964	2	WLDMT-SPRING PIVOT
21	P89524	4	WASHER-SAE: .63 GR8 ZP
22	P89505	4	NUT-TOPLOCK FLANGE .63 NC GR8 ZP
23	PA34956	2	ASSY-SPRING MROW BANDER TDD
24	P88679	2	BOLT-HEX: .50 X 2.00 NC GR5 ZP
25	P88363	2	NUT-TOPLOCK: .50 NC GR5 ZP
26	P320376	2	DEPTH STOP-MRB .50 ZP
27	P320377	4	DEPTH STOP KEEPER-MRB .50 ZP
28	PA36119	2	WLDMT- STALK SHIELD MRB LH
29	PA36121	2	WLDMT- STALK SHIELD MRB RH
30	P88739	4	WASHER FLAT 3/8SAE Z
31	P88679	4	BLT HEX 3/8-16NC X 2 5Z
32	PA35369	2	BLOCK-ADJ. DEEP SETTING ONLY



M5210-B

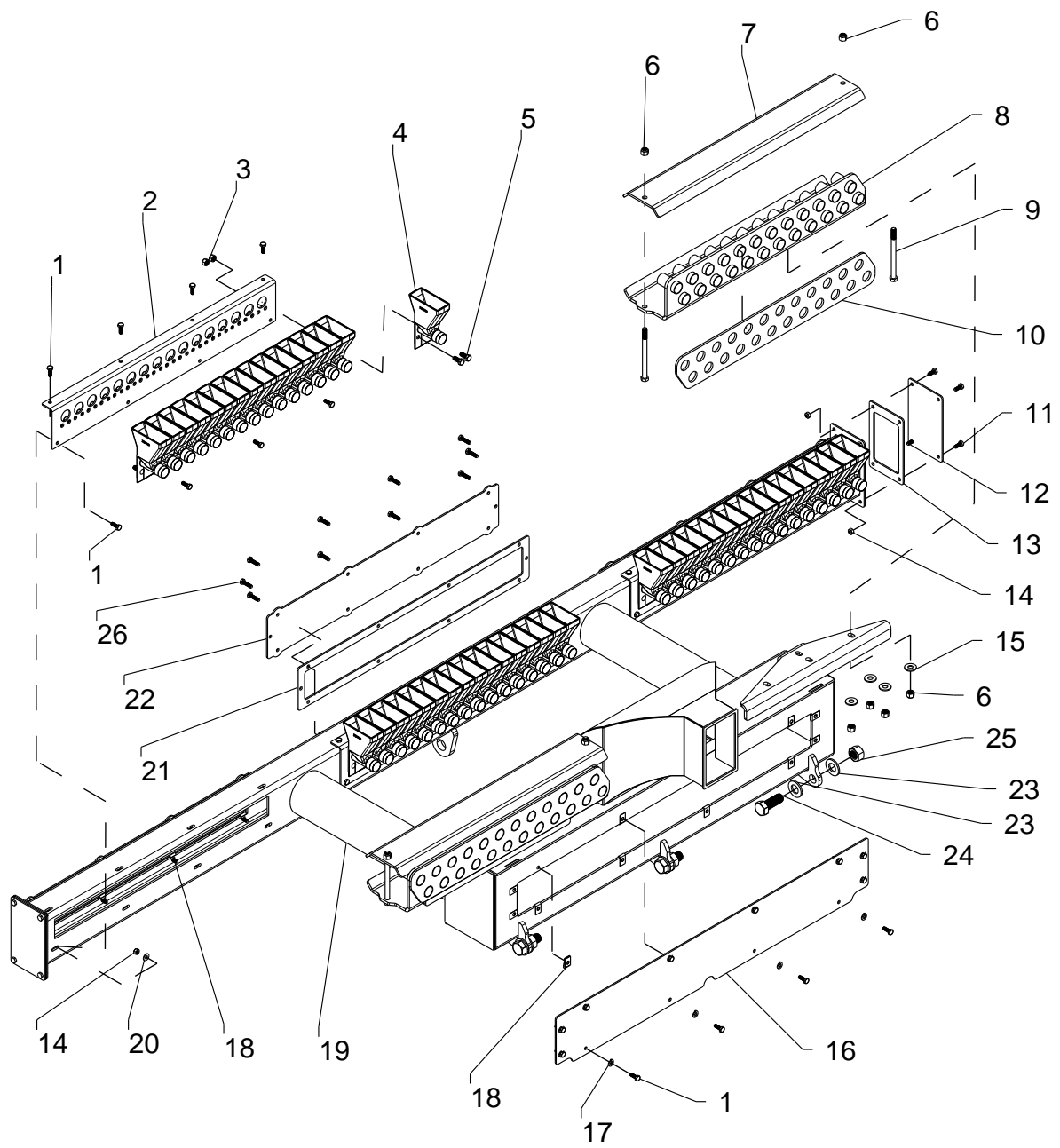
## FERTILIZER BANDER NH3

ITEM	PART NO.	QTY	DESCRIPTION
1	P88104	4	NUT HEX 1/2-13NC 5Z
2	P88261	4	WSHR FLAT 1/4(5/16 X 3/4ACT) Z
3	P88303	6	WSHR HLK 1/2ID(9/16ACT) Z
4	P88517	6	BLT HEX 1/2-13NC X 1-3/4 5Z
5	P88561	4	NUT JAM 1/2-13NC 5Z
6	P88994	4	BLT CRG 1/4-20NC X 3/4 SHT NK 5Z
7	P89501	4	NUT TOP LK 1/4-20NC 5Z
8	P320133	2	SPR CMPRSN YZD
9	P320388-1	2	WLDMT-MRB SCRAPER BACKING RH
	P320387-1		WLDMT-MRB SCRAPER BACKING LH (NOT SHOWN)
10	P320408	2	INJECTOR-SDD ANYDROUS MOLDED
11	P320615	2	NUT-GROOVED SCRAPER ZP (LARGE)
12	P320616	2	NUT-COLLAR SCRAPER ZP (LARGE)
13	PA34516	2	SPRING-COMPRESSION ZP
14	PA35813	2	SCRAPER-MRB LH PC
	PA35812		SCRAPER-MRB RH PC
15	PA36182	2	BOLT-HEX .50X2.00 NC GR8 YZP F NDP
16	PA36183	2	BOLT-HEX .50X2.50 NC GR8 YZP F NDP



## BLOWER ASSEMBLY

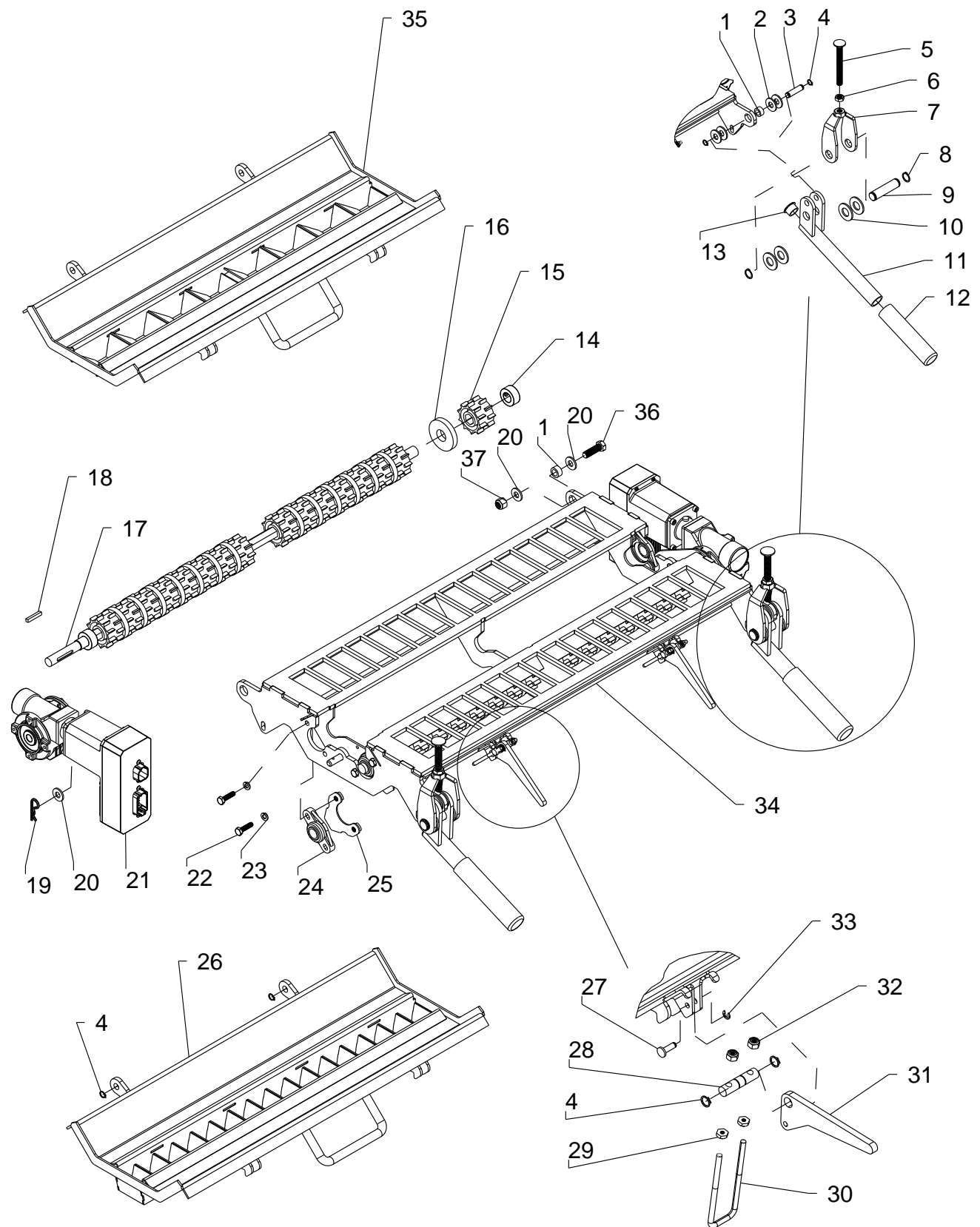
ITEM	PART NO.	QTY	DESCRIPTION
1	S330443	1	WLDMT-NARROW HOUSING
2	S330415	1	ROTOR-REM RT176CW BALANCED
3	S330416	1	SCREEN-INLET REM RT176CW
4	S63671	4	BOLT-FLANGE: .25 X 1.00 NC GR5 ZP LOCK
5	S330560	1	WLDMT-BELL INLET REM RT176CW FLUSH
6	S330419	12	NUT-FLANGE SERR .38 N CZP GR2 LG
7	S330418	10.5'	NEOPRENE 1/8 X 3/8
8	S1011607	2	BOLT-HEX: .50 X 1.50 NC GR5 ZP
9	S1027461	2	NUT-TOPLOCK: .50 NC GR5 ZP
10	S66244	1	MOTOR-HYDRAULIC W/CHECK PAINTED
	S66752		SEAL-MOTOR SHAFT
	S1021978		SEAL KIT: HYD MOTOR
	S330499		KEY-6MM X 6MM X 35MM ROUNDED
11	S330381	1	BUSHING-SPLIT TAPER H X 20MM W/HDRWR
12	S66510	1	SENSOR-FAN SPEED
13	S330470	1	BLOWER ASSEMBLY (INCLUDES ITEMS 1-12)



M5184-D

## PLENUM ASSEMBLY

ITEM	PART NO.	QTY	DESCRIPTION
1	P88993	36	BLT HEX 1/4-20NC X 3/4 5Z
2	P321290	3	SHT-VENTURI MNT - 16 ROW
	P356592	3	SHT-VENTURI MNT - 8 ROW (NOT SHOWN)
3	P88832	96	NUT TOP LK 5/16-18NC 5Z
4	P321061	48	VENTURI CUP
5	P88807	96	BLT HEX 5/16-18NC X 3/4 5Z
6	P88626	12	NUT NLK 3/8-16NC 5Z
7	P321763	2	PLATE-SEED HOSE CLAMP
8	P321742	2	WLDMT-HOSE MNT HINGING - 16 ROW
	P356593	2	WLDMT-HOSE MNT HINGING - 8 ROW (NOT SHOWN)
9	P89194	4	BLT HEX 3/8-16NC X 5 5Z - 16 ROW
	P88412	4	BLT HEX 3/8-16NC X 3-1/2 5Z - 8 ROW (NOT SHOWN)
10	P321743	2	SHEET-HOSE MNT SEAL - 16 ROW
	P356595	2	SHEET-HOSE MNT SEAL - 8 ROW (NOT SHOWN)
11	P88191	8	BLT HEX 1/4-20NC X 5/8 5Z
12	P321933	2	SHT-PLENUM CAP
13	P321944	2	SEAL-PLENUM END
14	P89501	32	NUT TOP LK 1/4-20NC 5Z
15	P88282	8	WSHR FLAT 3/8(7/16X1ACT) Z
16	P321942	1	SHT-REAR PLENUM ACCESS
17	P88262	42	WSHR HLK 1/4ID(5/16ACT) Z
18	P321941	42	NUT-U: 1/4-20 .18-.19W
19	P321032	1	WLDMT-NF PLENUM
20	P88855	24	WSHR FLAT 1/4SAE(9/32 X 5/8ACT) Z
21	P321945	3	SEAL-PLENUM FRONT
22	P321934	3	SHEET-PLENUM ACCESS
23	P88548	6	WSHR FLAT 3/4SAE(13/16 X 1-1/2) Z
24	P88604	3	BLT HEX 3/4-10NC X 2 5Z
25	P88665	3	NUT TOP LK 3/4-10NC 5Z
26	P88203	30	BLT HEX 1/4-20NC X 1 5Z
27	PA65386	AR	HOSE-KANAFLEX 112 1.00 (NOT SHOWN)

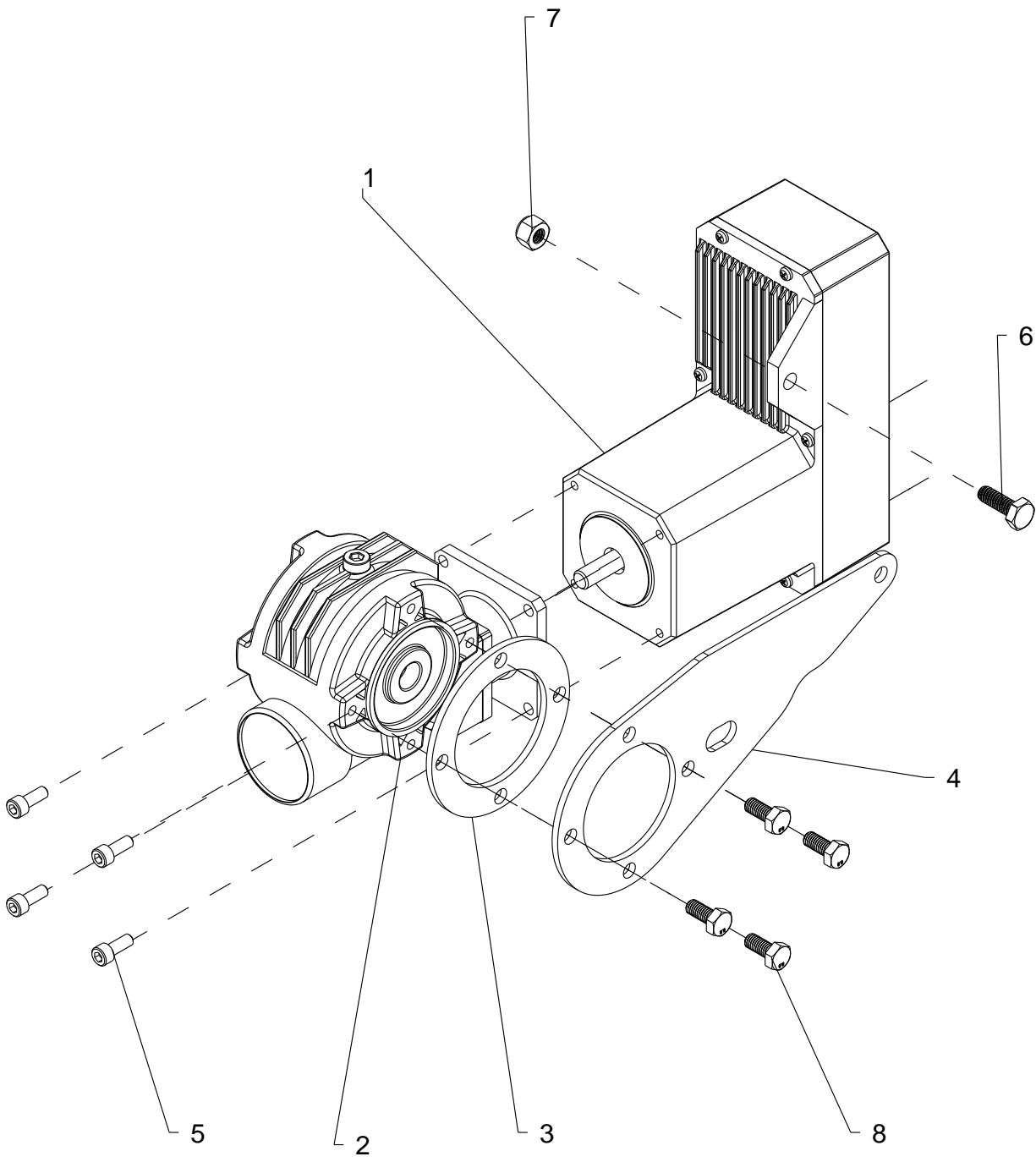


M5176-D



## METER ASSEMBLY

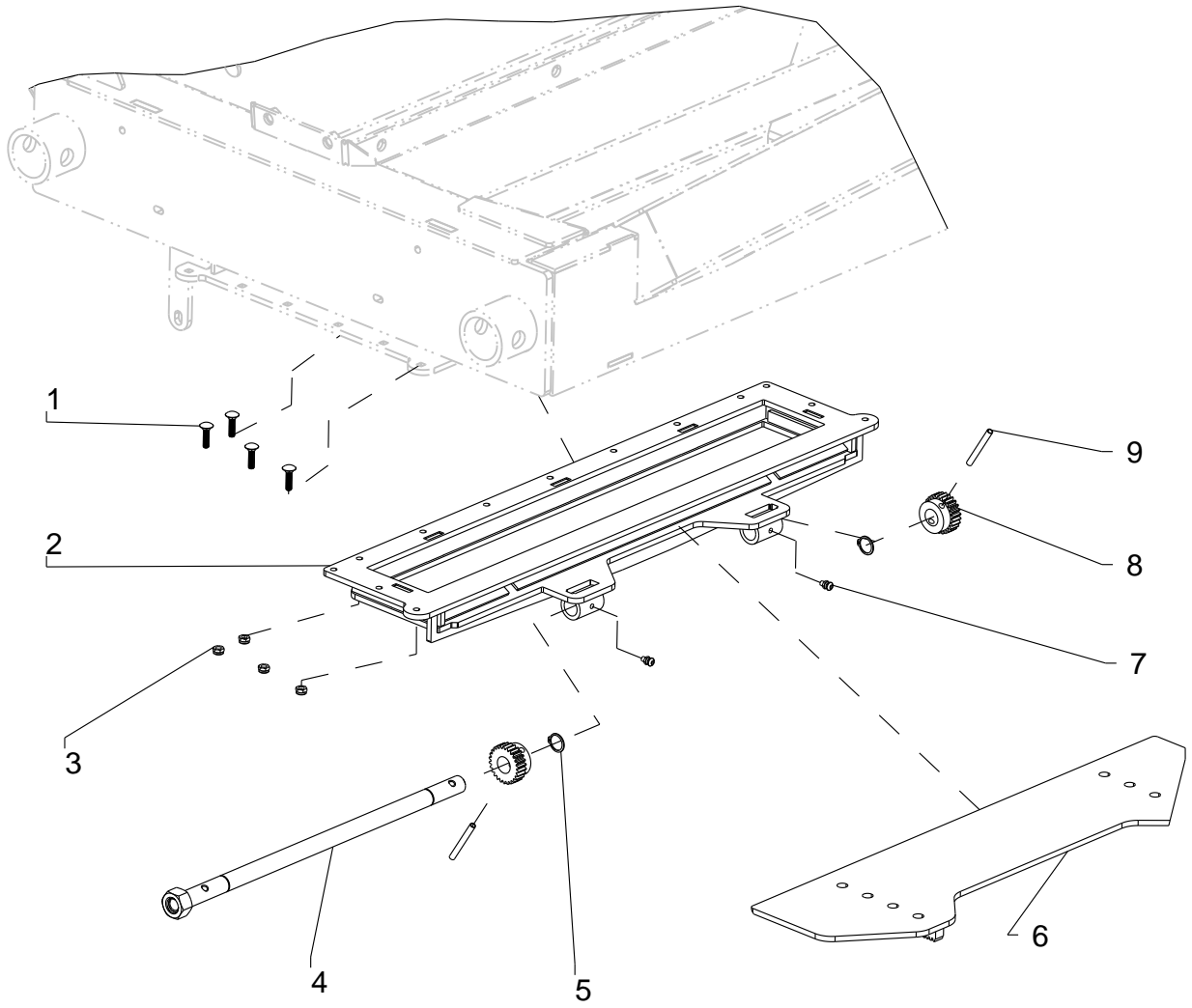
ITEM	PART NO.	QTY	DESCRIPTION
1	P321309	4	TUBE-HINGE SPACER
2	P88282	8	WSHR FLAT 3/8(7/16X1ACT) Z
3	P321755	2	PIN-3/8 METER LATCH
4	PA67499	10	RING-RETAINING .375 SS
5	P89475	2	BLT CRG 3/8-16NCX3-1/2 5Z
6	P88564	2	NUT JAM 3/8-16NC 5Z
7	P321758	2	WLDMT-METER LATCH STRAP
8	P321757	4	SNAP RING-5/8 EXTERNAL ZP
9	P321756	2	PIN-5/8 METER LATCH
10	P88630	8	WSHR FLT 5/8SAE(21/32 X 1-5/16) Z
11	PA65557	2	WLDMT-C.AMP ADJ TUBE ZP
12	PA65902	2	GRIP-BLACK 1 ID X 5.06 L
13	P321759	2	PLUG-1 OD X .79 ID BLACK
14	P321085	4	LOCK COLLAR 5/8
15	P321090	32	METER WHEEL-WHITE
16	P321925	28	SPACER-METER WHEEL
17	P321025	2	METERBOX SHAFT 16 ROW
18	P321950	2	KEY-3/16 X 1-1/8 SS
19	P89520	2	PIN-HAIR: .109 X 1.63 Z
20	P88739	6	WSHR FLAT 3/8SAE(12/32 X 13/16) Z
21	NS	2	MOTOR-ELEC STEP PRO W/GEARBOX
22	PA66077	8	BLT HEX 1/4-20NC X 1 5Z
23	PA65696	8	WASHER-LOCK: SS .25
24	P321084	4	BEARING-2 FLANGE POLY(EFOI-10R)
25	P321931	4	WLDMT-BEARING CLAMP
26	P321715	1	WLDMT-METER LOWER - 16 ROW
27	PA67497	2	PIN-METER LATCH
28	PA65639	2	SHAFT-METER LATCH
29	PA65348	4	NUT-HEX: SS 10-24
30	PA65655	2	U-BOLT:SS.188 X 3.25 X .875 X 3.25
31	P321723	2	PLATE-LATCH HANDLE TUMBLED
32	PA65712	4	NUT-NYLOCK: 10-24 GR2 SS
33	PA67498	2	E-CLIP: .188 SS
34	P321708	1	WLDMT-METER TOP
35	P322076	1	WLDMT-METER LOWER - 8 ROW
36	P88555	2	BLT HEX 3/8-16NC X 1-1/4 5Z
37	P88626	2	NUT NLK 3/8-16NC 5Z



M5170-A

## MOTOR ASSEMBLY

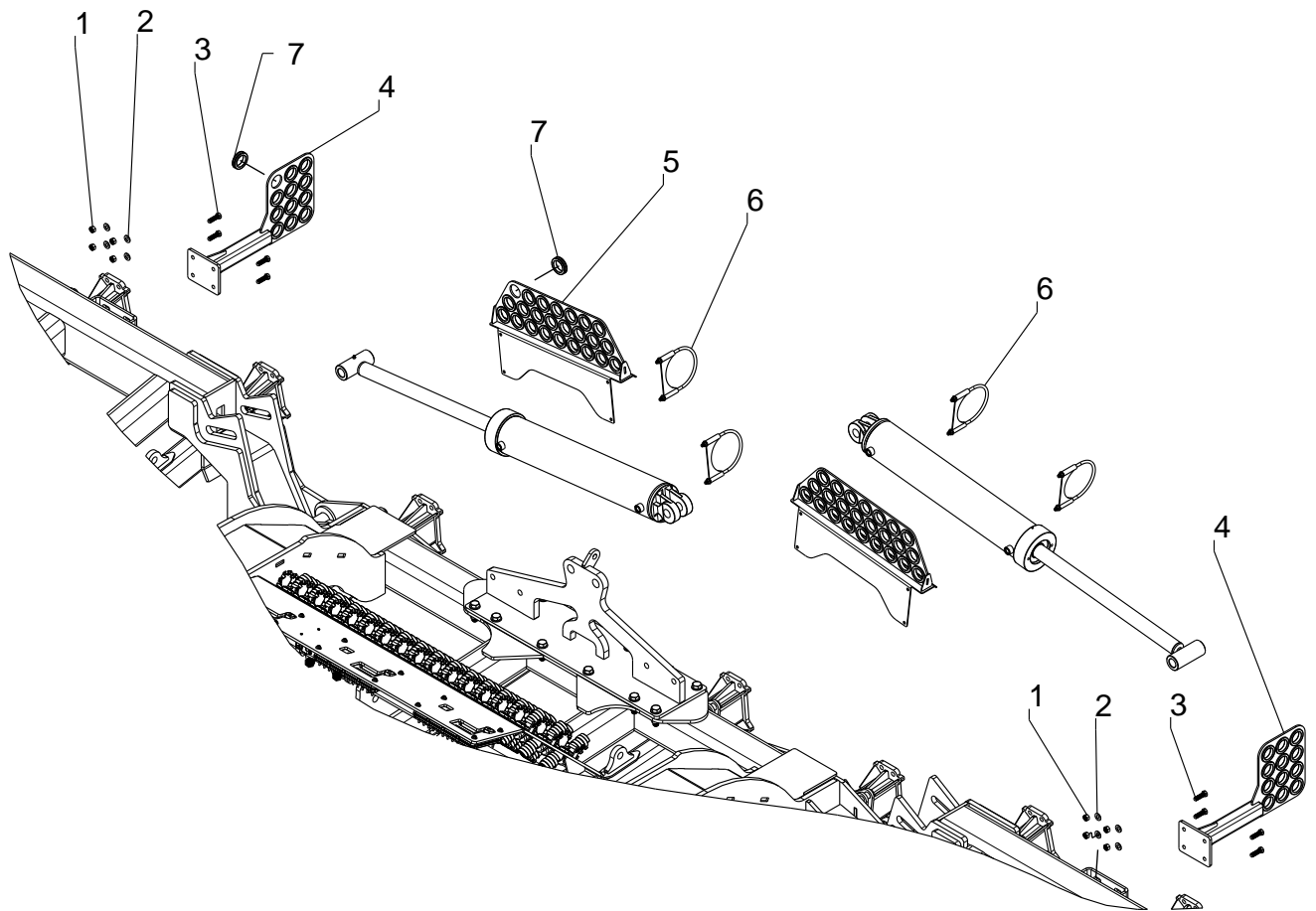
ITEM	PART NO.	QTY	DESCRIPTION
1	P321368	1	MOTOR-ELEC STEPPER PRO SERIES
2	P321369	1	GEARBOX-ELEC MOTOR MTG 10:1
3	P321833	1	SHEET-GEARBOX SPACE
4	P321834	1	SHEET-METER FLANGE
5	P88199	4	SOCKET CAP SCREW 10-24 X 1/2 SS
6	P88993	1	BLT HEX 1/4-20NC X 3/4 5Z
7	P89056	1	NUT NLK 1/4-20NC 5Z
8	P89545	4	BOLT-HEX: M6 X 1.0 X 14



M5177-A

## HOPPER SHUTOFF

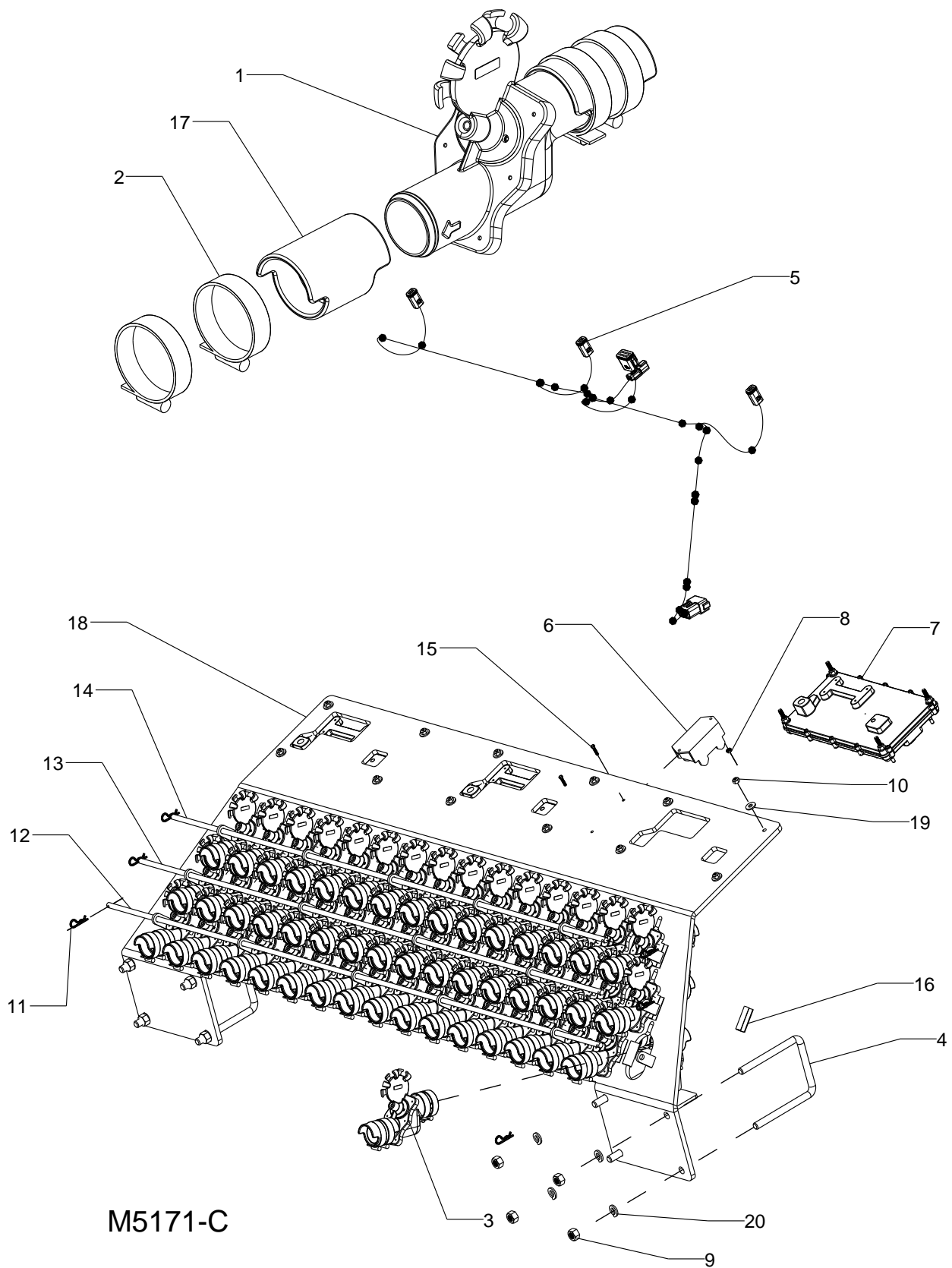
ITEM	PART NO.	QTY	DESCRIPTION
1	P89583	13	BLT CRG 1/4-20NC X 1 SS
2	P321555	1	WLDMT-HOPPER SHUTOFF
3	P1033269	13	NUT-NYLOCK: .25 NC GR2 SS
4	P321556	1	WLDMT-NT SHUTOFF SHAFT
5	P321557	2	SNAP RING .75"
6	P321554	1	WLDMT-NT SHUTOFF SLIDE
7	P88550	2	FTG GRS 1/4-28 3038-B
8	PA65707	2	PINION-SS 16DP-14.5PA 26T.50 FACE
9	P42484	2	PIN ROLL 1/4 X 2-1/4 Z



M5178-D

## FINAL RUN HOSE HOLDERS

ITEM	PART NO.	QTY	DESCRIPTION
1	P88661	16	NUT TOP LK 1/2-13NC 5Z
2	P89054	8	WSHR FLAT 1/2SAE Z
3	P88517	8	BLT HEX 1/2-13NC X 1-3/4 5Z
4	P321671	2	WLDMT-MANIFOLD MNT HOSE RET - 16 ROW
	P356602	2	WLDMT-MANIFOLD MNT HOSE RET - 8 ROW (NOT SHOWN)
5	P321669	2	WLDMT-MF HOSE RETAINER - 16 ROW
	P356605	2	WLDMT-MF RING RETAINER - 8 ROW (NOT SHOWN)
6	P238372	4	5-1/2 IN MUFFLER CLAMP
7	P321952	72	GROMMET-1.75 ID
8	PA65880	800	HOSE-KANAFLEX 112 1.25 BULK (NOT SHOWN)
9	PA34289	AR	STRAP-VELCRO 1.50 X 24 (NOT SHOWN)

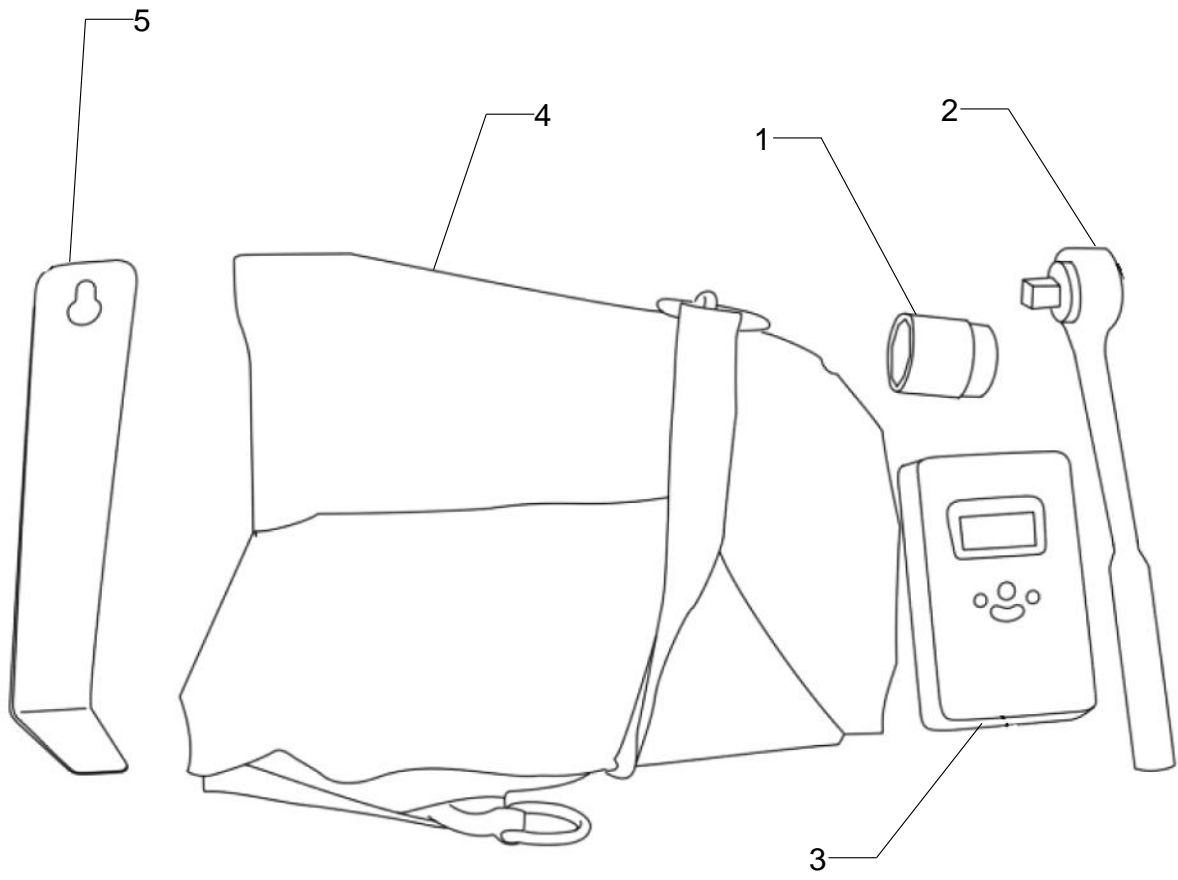


M5171-C



## INLINE BLOCKAGE

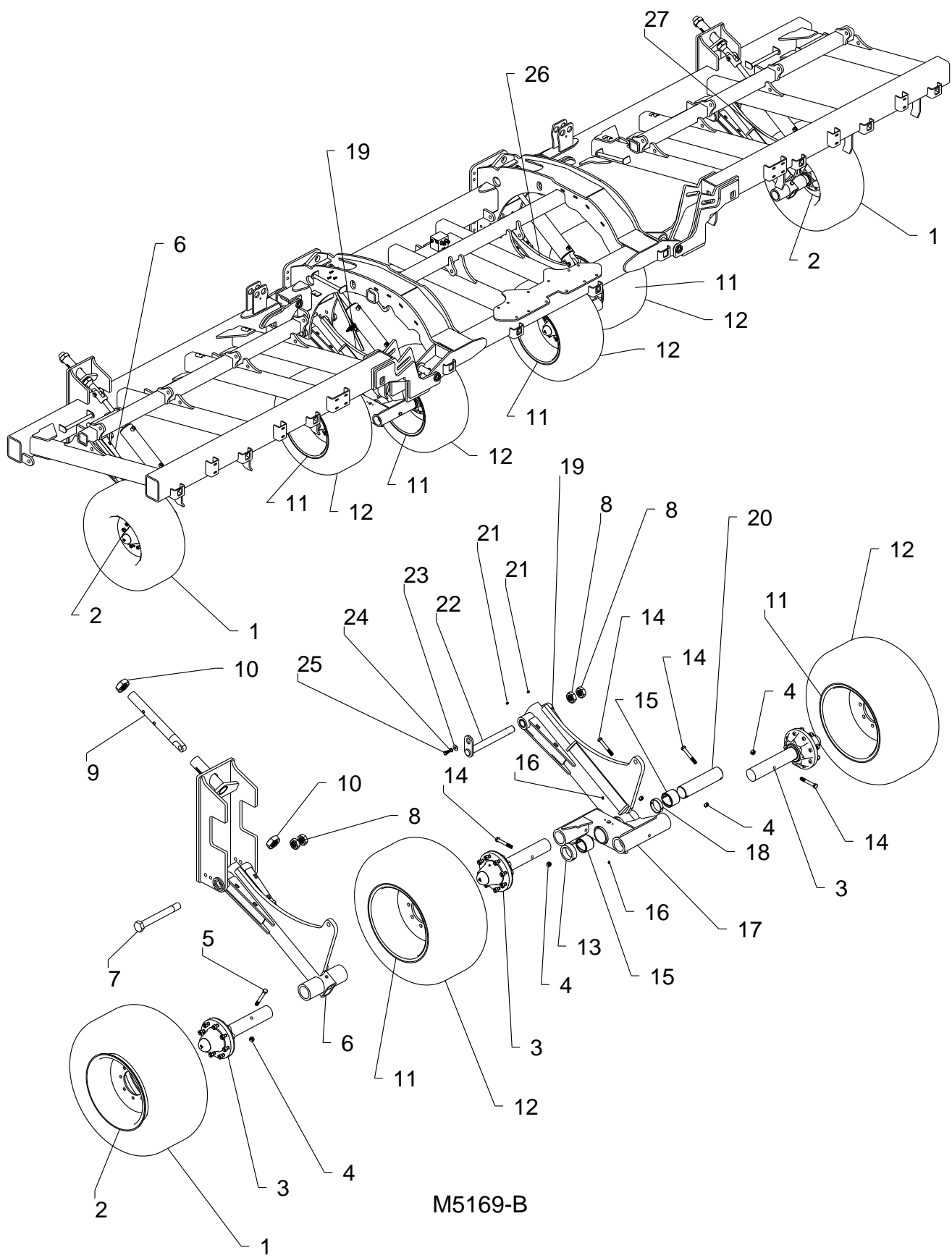
ITEM	PART NO.	QTY	DESCRIPTION
1	P320991	48	SENSOR-WBM 1.5
2	P351288	192	1-3/4 S.S. CLAMP 6IN LONG
3	NS	48	ASSY-SENSOR 1.50WBM 1.25 ADPT
4	PA33856	4	BLT-U 1/2-13 NC X 4 5-1/2 Z
5	P321411	1	HARNESS-WBM SECTION NT
6	P506179D1	1	MODULE-FET, 4 PACK NO
7	P320760	3	MODULE-WBM 24 PORT
8	P89580	2	NUT KLK #8-32 ZP
9	P88104	8	NUT HEX 1/2-13NC 5Z
10	P89501	12	NUT TOP LK 1/4-20NC 5Z
11	P89520	6	PIN-HAIR: .109 X 1.63 Z
12	P321274	1	ROD-NT WBM RETAINER BOT
13	P321273	1	ROD-NT WBM RETAINER MID
14	P321272	1	ROD-NT WBM RETAINER TOP
15	P89579	2	#8-32 X 3/4 HH ZP
16	P321589	96	TRIM-.375 X 1.75 TRIM LOK
17	P320992	96	WBM-ADAPTOR 1.50 TO 1.25
18	P321269	1	WLDMT - NT WBM MNT - 16 ROW
	P356598	1	WLDMT - NT WBM MNT - 8 ROW (NOT SHOWN)
19	P88261	12	WSHR FLAT 1/4(5/16 X X3/4ACT) Z
20	P88303	8	WSHR HLK 1/2ID(9/16ACT) Z



M5182-A

## CALIBRATION COMPONENTS

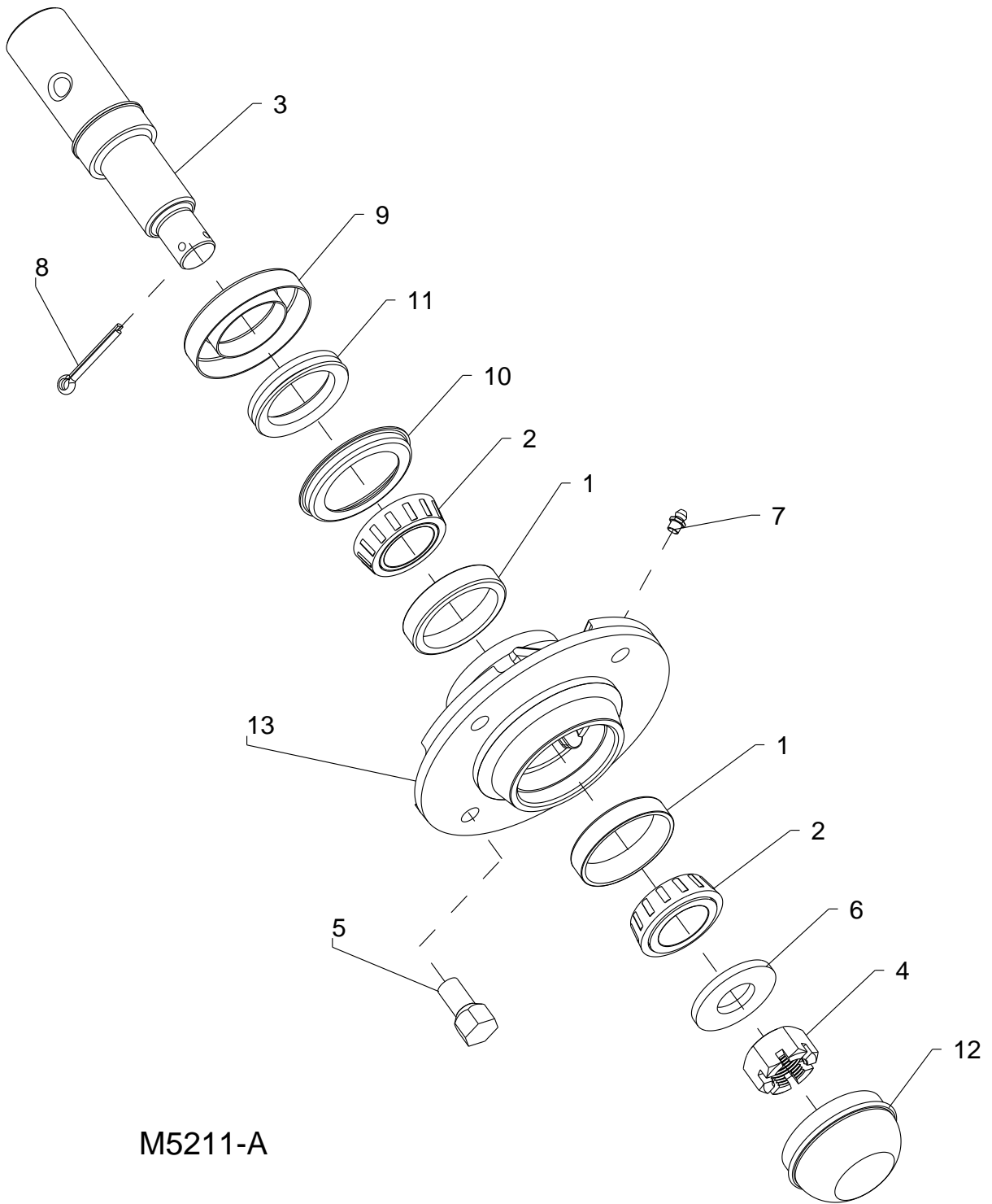
ITEM	PART NO.	QTY	DESCRIPTION
1	S66354	1	SOCKET-1.125" (.50" DRIVE)
2	S65890	1	RATCHET-.50" DRIVE
3	S67641	1	SCALE-CALIBRATION DIGITAL
4	P322326	1	BAG-NT CALIBRATION
5	S34569	1	PLATE-WRENCH SEED DEPTH
6	S65891	1	SCREWDRIVER-FLOW SENSOR (NOT SHOWN)



M5169-B

## LIFT WHEEL ASSEMBLY

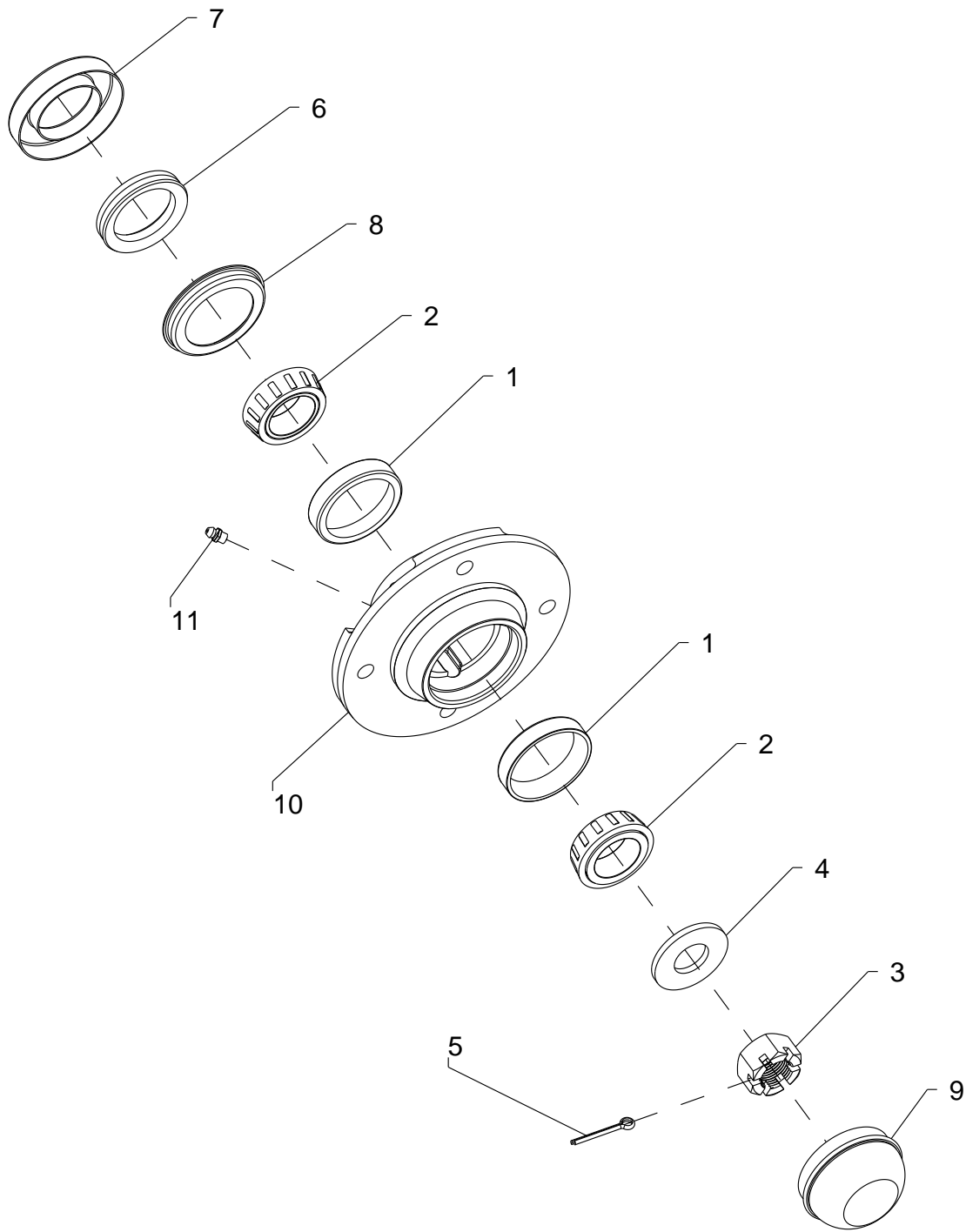
ITEM	PART NO.	QTY	DESCRIPTION
1	NS	2	TIRE-36 X 17.5 FS 8 PLY I-1 -THRU SN 463753
	NS	2	TIRE-440/55R 18 IMP 137A8/B TL -SN 463754 & UP
2	PA33471	2	WHEEL-10.5 X 17.5 W/HOLE (BLACK) -THRU SN 463753
	P320383	2	WHEEL-14 x18 W/HOLE (BLACK) -SN 463754 & UP
3	P320486	6	ASSY-HUB&SPINDLE: 8-BOLT 7500# W/BRAKE
4	P88369	10	NUT 2POSLK 5/8-11NC 5Z
5	P89547	2	BLT HEX 5/8-11NC X 5-1/2 8YZ
6	P320904	1	WLDMT-LIFT WHEEL WING LH 3.5M
7	PA35055	2	BOLT-HEX: 1.50 X 12.38 SPECIAL
8	P88623	8	NUT JAM 1-1/2-6NC 5Z
9	PA34383	2	SCREW-LEVELER SDD ZP
10	P89442	4	NUT JAM 2-4.5NC 5Z
11	P320383	2	WHEEL-14 x18 W/HOLE (BLACK)
12	NS	2	TIRE-440/55R 18IMP 159A8/B TL (GY)
13	PA33361	2	COLLAR-WALKBEAM
14	P321721	8	BOLT-HEX 5/8-11NC X 4.5 L9 YZP
15	P321691	4	BUSHING-SPLIT 3.5 OD X 3.0 ID X 2.5 GROOVED
16	P88263	4	FTG GRS 1/8NPT 1610-BL(11/16) TAPERED
17	PA33480	2	WLDMT-WALKING BEAM
18	PA36280	2	SPACER-SDD WALKBEAM BEARING
19	P320907	1	WLDMT-MAIN LIFT STRUT LH 3.5M
20	PA33486	2	SHAFT-WALKBEAM
21	P1030883	6	ZERK-GREASE: .3125 UNF STRAIGHT (1711)
22	PA36055	2	WLDMT-PIN W/FLAG 14 X 1.5 ZP
23	P88347	2	WSHR FLAT 1/2(9/16 X 1-3/8ACT) Z
24	P88303	2	WSHR HLK 1/2ID(9/16ACT) Z
25	P89015	2	BLT HEX 1/2-13NC X 1 5Z
26	P320906	1	WLDMT-MAIN LIFT STRUT RH 3.5M
27	P320903	1	WLDMT-LIFT WHEEL WING RH 3.5M



M5211-A

## PACKER HUB & SPINDLE ASSEMBLY

ITEM	PART NO.	QTY	DESCRIPTION
1	S52244	2	CUP-BEARING (TIMKEN)
2	S52245	2	CONE-BEARING (TIMKEN)
3	P354055	1	SPINDLE-PACKER (Ø1.68)
4	P88340	1	NUT-HEX: SLOT .875 NF GR2 NP
5	PA34927	4	BOLT-WHEEL LUG .50-20UNF X .75
6	P16094	1	SPINDLE WASHER 7/8ID
7	P88550	1	ZERK-GREASE: .25UNF STRAIGHT
8	P88560	1	PIN-COTTER: .19 X 1.50 NP
9	P354057	1	SEAL-RETAINER (Ø1.68)
10	P354058	1	SEAL-COUNTERFACE (Ø1.68)
11	P354056	1	SEAL-V (Ø1.68)
12	PA33879	1	CAP-DUST
	P322349		CAP-DUST (UNDERSIZED ADR) SN: 463099-463432 3/15/2014 DATE ON CASTING
13	P321957	1	HUB
14	P354054	1	HUB AND SPINDLE ASSEMBLY INCLUDES ITEMS 1-13

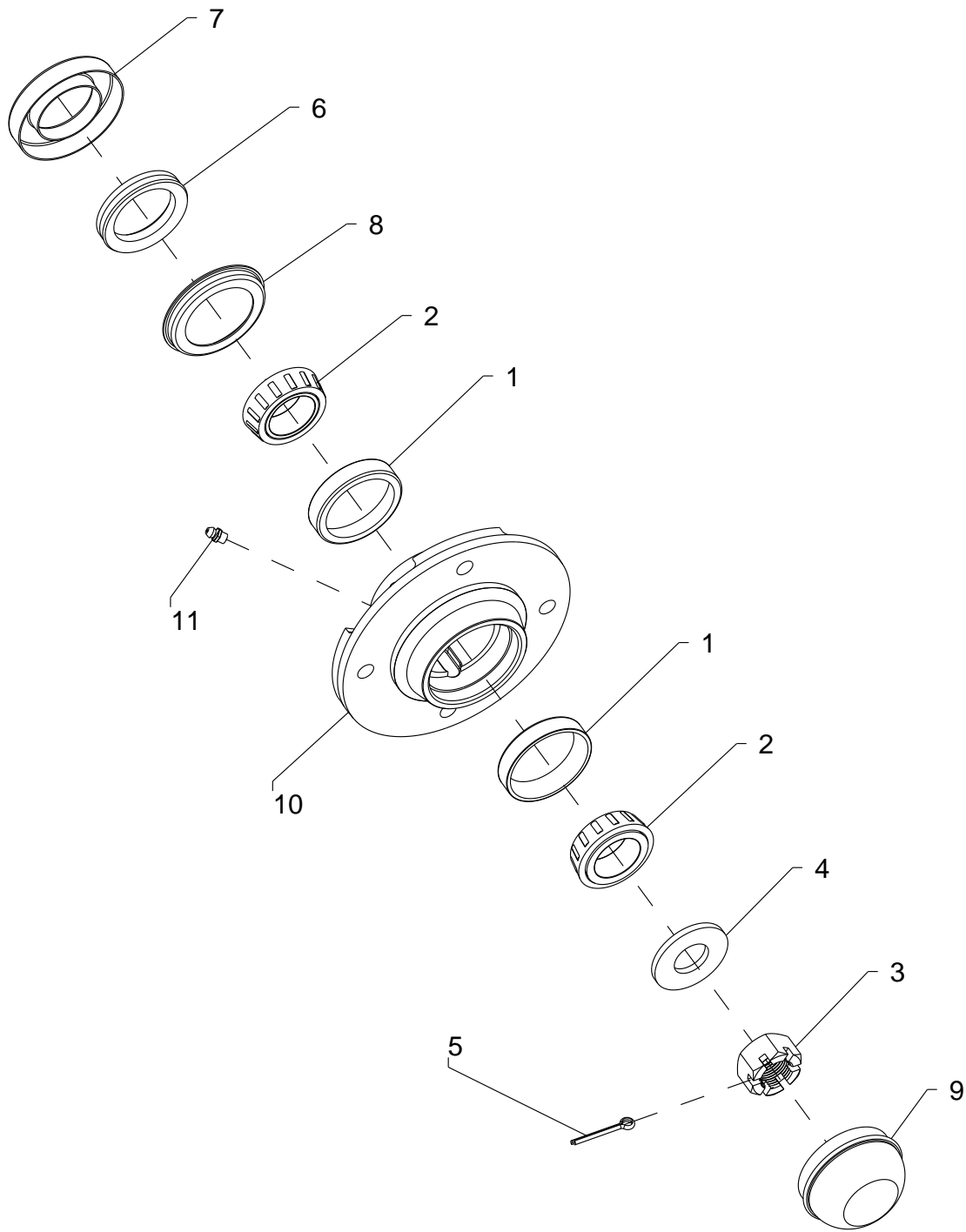


M5212-A



## CAST BOOT HUB ASSEMBLY

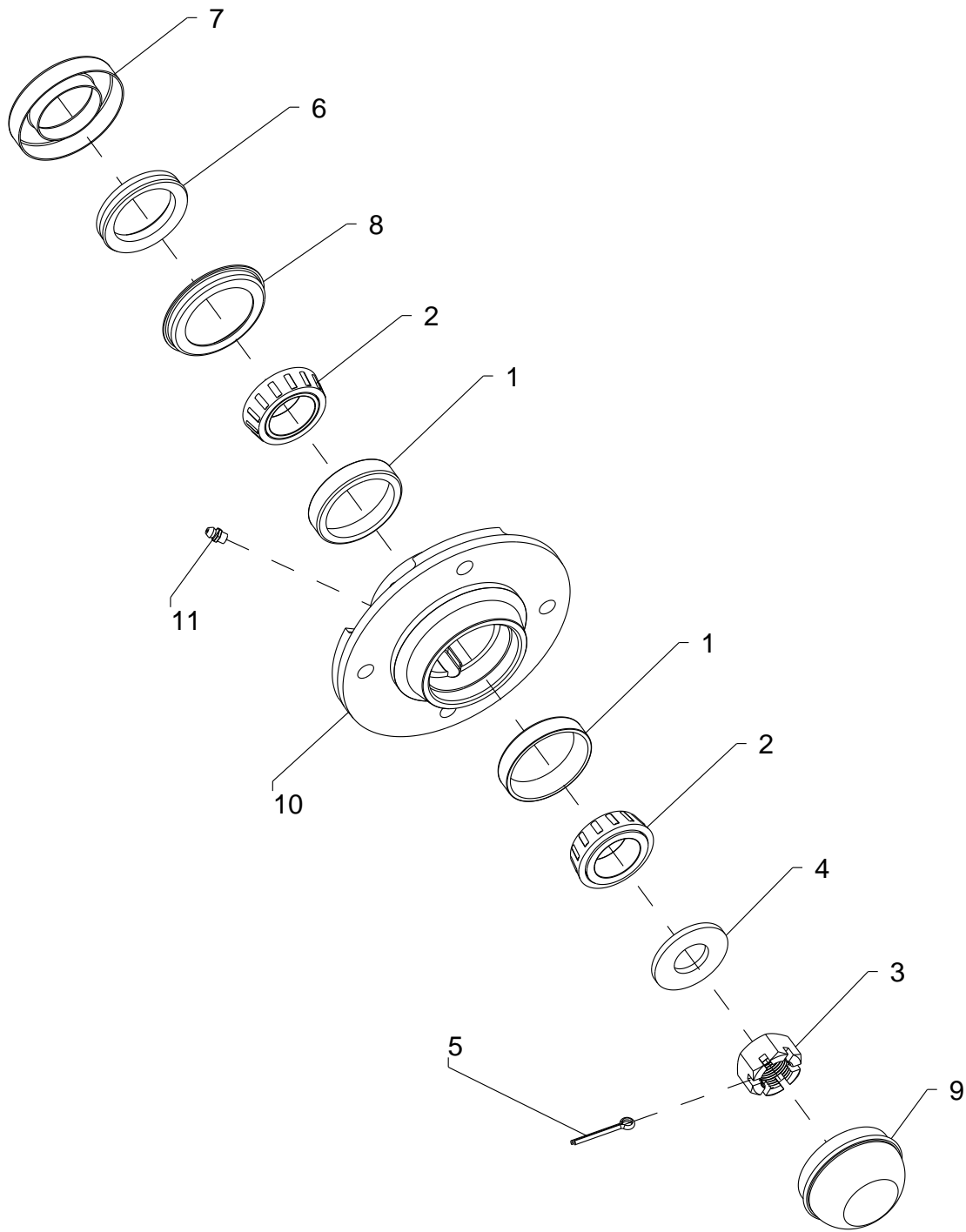
ITEM	PART NO.	QTY	DESCRIPTION
1	S52244	2	CUP-BEARING (TIMKEN)
2	S52245	2	CONE-BEARING (TIMKEN)
3	P88340	1	NUT SLTD 7/8-14NF
4	P16094	1	SPINDLE WASHER 7/8ID
5	P88560	1	PIN COT 1/8DIA X 1-1/4
6	P354056	1	SEAL-V (Ø1.68)
7	P354057	1	SEAL-RETAINER (Ø1.68)
8	P354058	1	SEAL-COUNTERFACE (Ø1.68)
9	PA33879	1	DUST CAP
10	P321957	1	HUB CASTING
11	P88550	1	ZERK-GREASE: 1/4NF STRAIGHT



M5213-B

## STEEL BOOT HUB ASSEMBLY

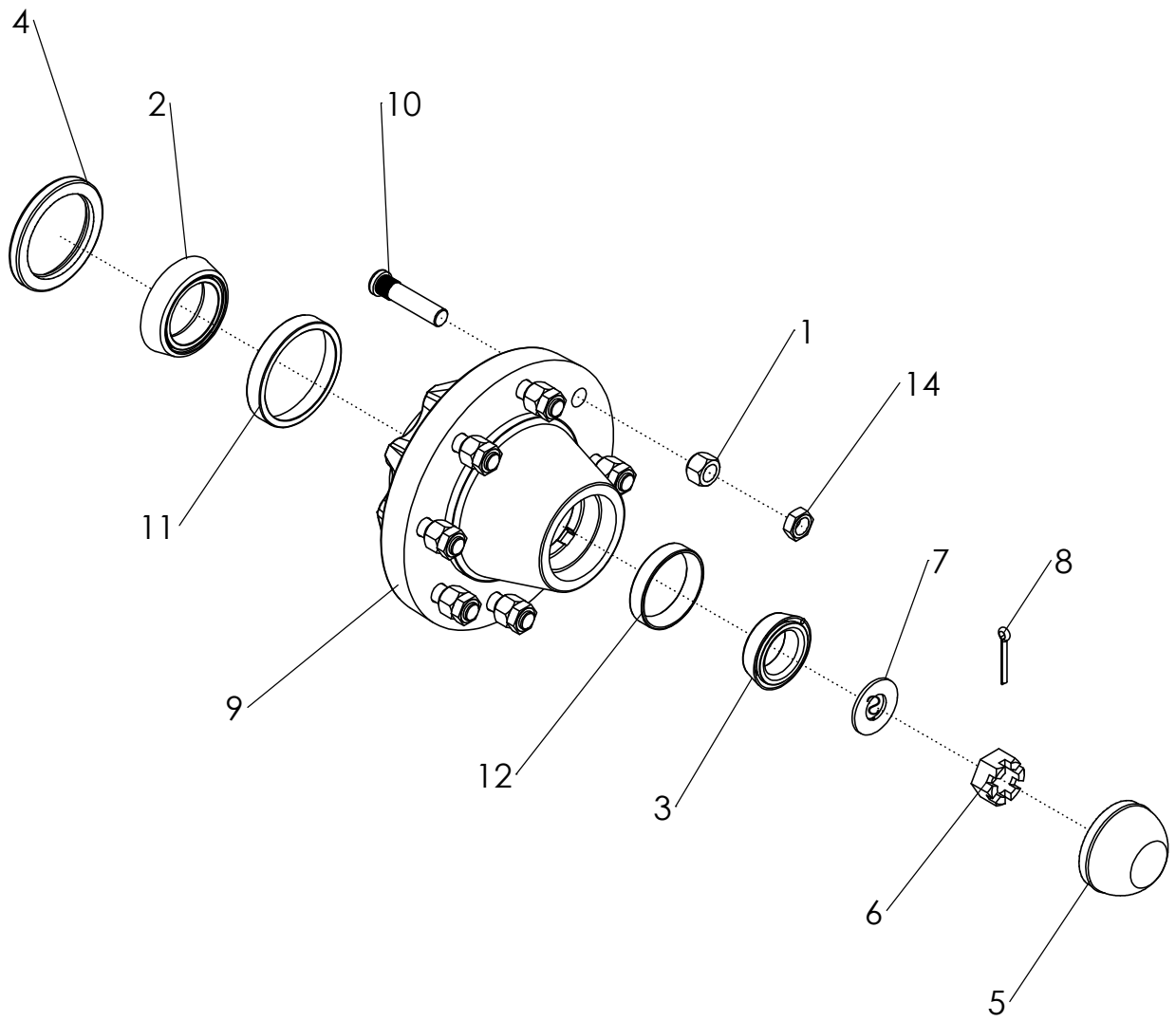
ITEM	PART NO.	QTY	DESCRIPTION
1	PA52244	2	CUP-BEARING (TIMKEN)
2	PA52245	2	CONE-BEARING (TIMKEN)
3	P88340	1	NUT SLTD 7/8-14NF
4	P16094	1	SPINDLE WASHER 7/8ID
5	P88560	1	PIN COT 1/8DIA X 1-1/4
6	PA33557	1	SEAL-V SN: THRU 463808
	P354056		SEAL-V (Ø1.68) SN: 463809 & UP
7	PA33555	1	SEAL-RETAINER SN: THRU 463808
	P354057		SEAL-RETAINER (Ø1.68) SN: 463809 & UP
8	PA33556	1	SEAL-COUNTERFACE SN: THRU 463808
	P354058		SEAL-COUNTERFACE (Ø1.68) SN: 463809 & UP
9	PA33879	1	DUST CAP
10	P321957	1	HUB CASTING
11	P88550	1	ZERK-GREASE: 1/4NF STRAIGHT



M5214-A

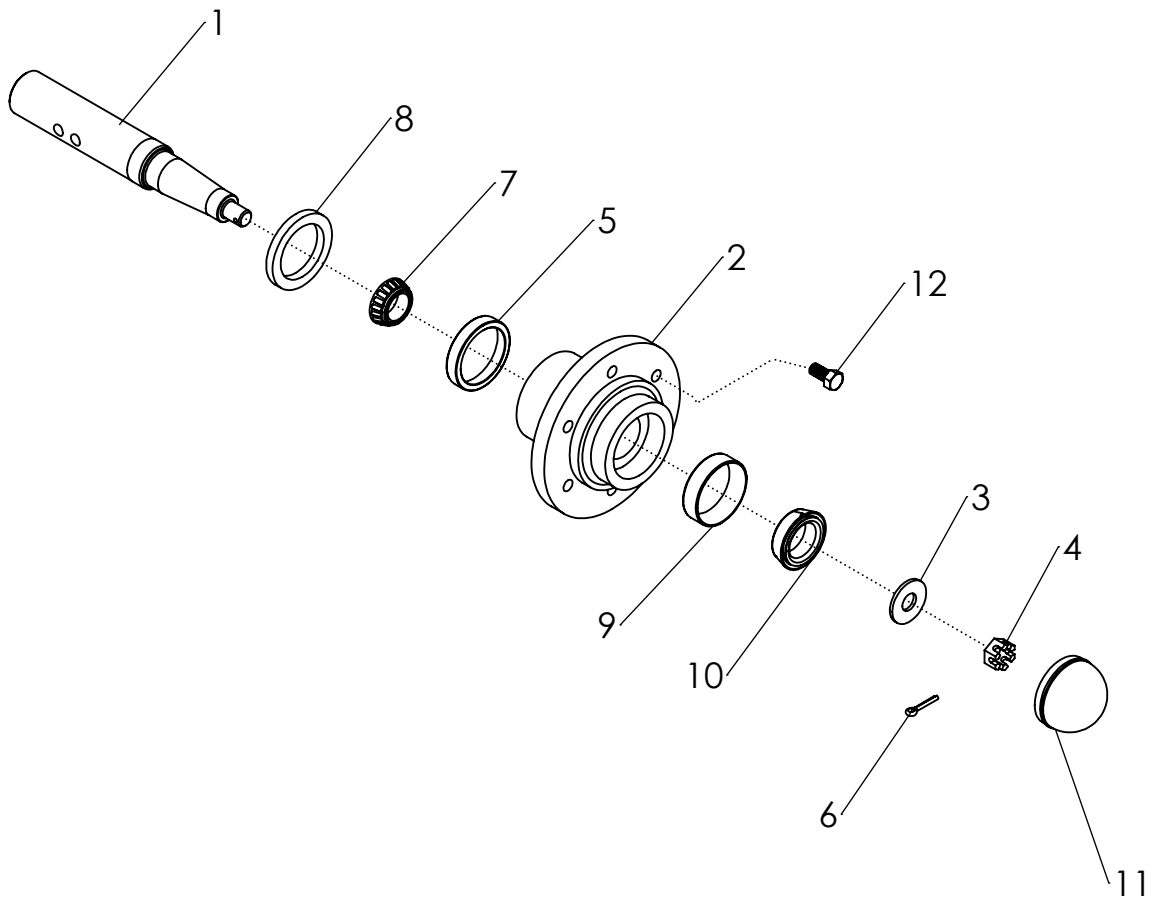
## MRB HUB ASSEMBLY

ITEM	PART NO.	QTY	DESCRIPTION
1	PA52244	2	CUP-BEARING (TIMKEN)
2	PA52245	2	CONE-BEARING (TIMKEN)
3	P88340	1	NUT SLTD 7/8-14NF
4	P16094	1	SPINDLE WASHER 7/8ID
5	P88560	1	PIN COT 1/8DIA X 1-1/4
6	PA33557	1	SEAL-V
7	PA33555	1	SEAL-RETAINER
8	PA33556	1	SEAL-COUNTERFACE
9	PA33879	1	DUST CAP
10	P321957	1	HUB CASTING
11	P88550	1	ZERK-GREASE: 1/4NF STRAIGHT



## CARRY WHEEL HUB & SPINDLE ASSEMBLY

ITEM	PART NO.	QTY	DESCRIPTION
1	S1013470	8	NUT-BEVELED: CT&D #WB18
2	S65987	1	BEARING-CONE: INNER
3	S1012354	1	BEARING-CONE: OUTER
4	S1017764	1	SEAL: (HUB CTD #HA-817)
5	S320152	1	CAP-HUB 8-BOLT
6	S320157	1	NUT-HEX SLOT 8-BOLT
7	S320158	1	WASHER-SPINDLE 8 BOLT
8	S1013473	1	PIN-COTTER: .19 X 2.00 ZP
9	S320160	1	HUB-8 BOLT W/CUPS W/BRAKE (BLACK) INCLUDES ITEMS 10-12
10	S320487	8	STUD-LUG BOLT: .63-18 UNF X 2.75"
11	S65948	1	CUP-INNER
12	S1012359	1	CUP-OUTER
13	S320149	1	SPINDLE 8-BOLT (NOT SHOWN) INCLUDES ITEMS 6-8
14	S66336	8	NUT-JAM: .63 NF GR ZP
15	S320486	1	HUB & SPINDLE (NOT SHOWN) INCLUDES ITEMS 1-13





## FRH HUB & SPINDLE ASSEMBLY

ITEM	PART NO.	QTY	DESCRIPTION
1	S52138	1	SPINDLE-DEFOLIATOR
2	S52247	1	HUB-WHEEL 6 BOLT
3	S1012377	1	WASHER-SPINDLE: .813 X 2.00 NP
4	S1012376	1	NUT-SLOTTED: .75 NF GR5 NP
5	S52243	1	CUP-BEARING INNER
6	S35128	1	PIN-COTTER: .19 X 1.50 NP
7	S52245	1	BEARING CONE-INNER
8	S52242	1	SEAL
9	S52244	1	CUP-BEARING OUTER
10	S52246	1	BEARING CONE-OUTER
11	S52241	1	CAP-HUB
12	S52240	6	BOLT-LUG: .56 X 1.00 NF GR5 ZP
13	S52116	1	HUB AND SPINDLE INCLUDES ITEMS 1-12