

Amity

TECHNOLOGY



PARTS MANUAL



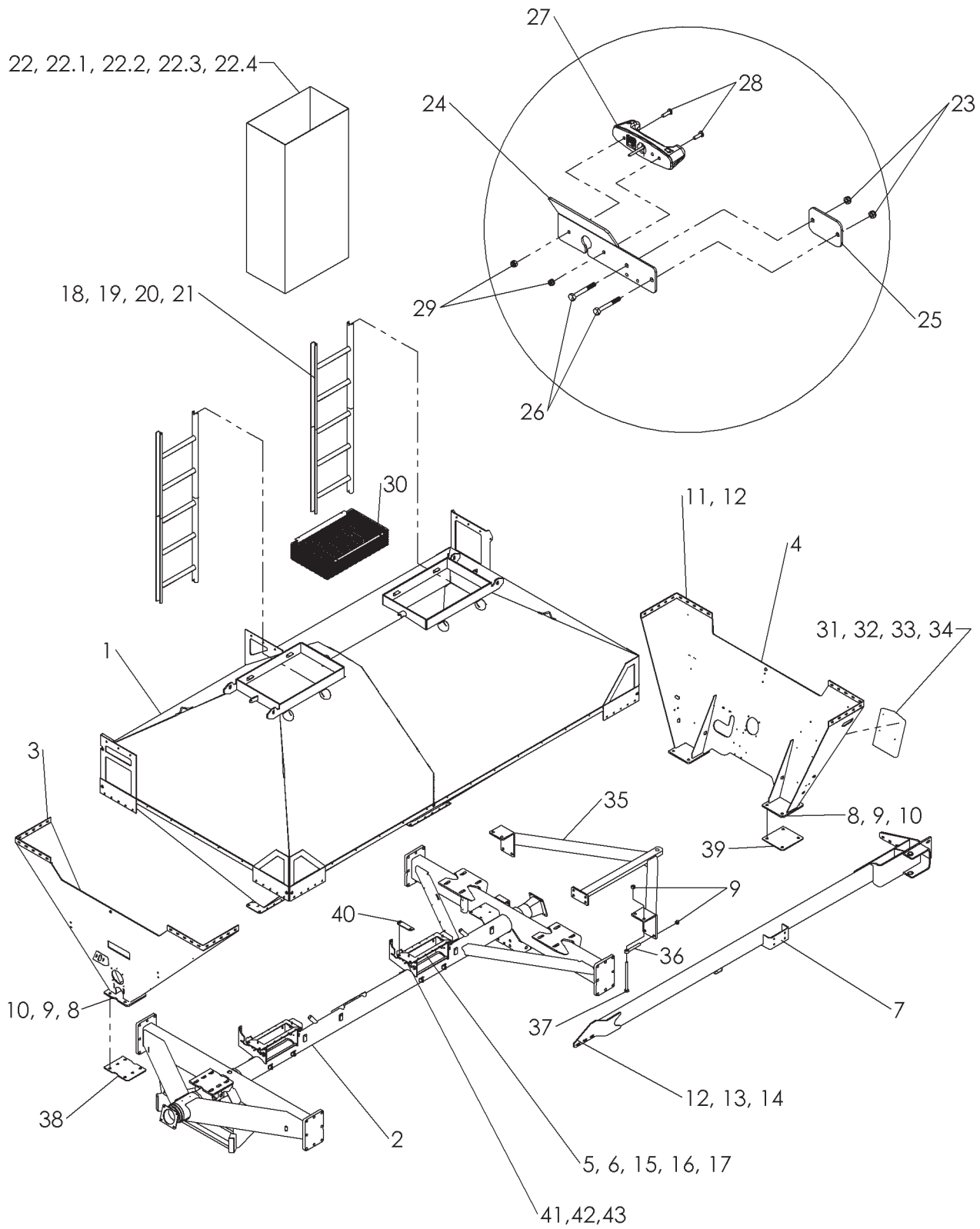
2800 & 3350 AIR CART

P/N: 330541
S/N: 702300...

Amity Technology, LLC
2800 7th Avenue North
Fargo, ND 58102
(701) 232-4199
www.amitytech.com

PARTS TABLE OF CONTENTS

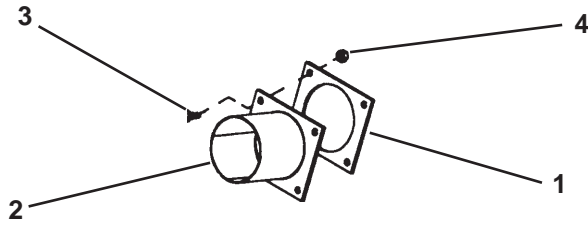
PartsTable of Contents	3
Assy-Tank/Running Gear.....	4
Assy-Airstream Single	6
Assy-ECU	8
Assy-Pressurization Kit	10
Assy-Axles Front.....	11
Assy-Drawpole & Steering Linkage.....	12
Assy-Axles Rear	14
Assy-Tie Rod.....	15
Assy-Hub.....	15
Assy-Meter Driveline	16
Assy-W&T 18.4x26 R1 10Ply, 16x26x8.....	18
Assy-W&T 23.1x26 R1 10Ply, 20x26x8.....	18
Kit-Calibration Components.....	19
Assy-Meterbox.....	20
Assy-Meterbox Door	22
Assy-Blower.....	24
Assy-Blower Hydraulics Ground Drive	26
Assy-Ground Drive.....	28
Assy-Blower Hydraulics Hydraulic Drive	30
Assy-Hydraulic Drive	32
Assy-Catwalk & Handrails	33
Assy-Ladder Air System	34
Assy-Auger & Hydraulics	35
Assy-Auger Mounting Components	36
Assy-Doors	38
Assy-Decals	39
Assy-Safety Lights	40



M6023-C

ASSY-TANK/RUNNING GEAR

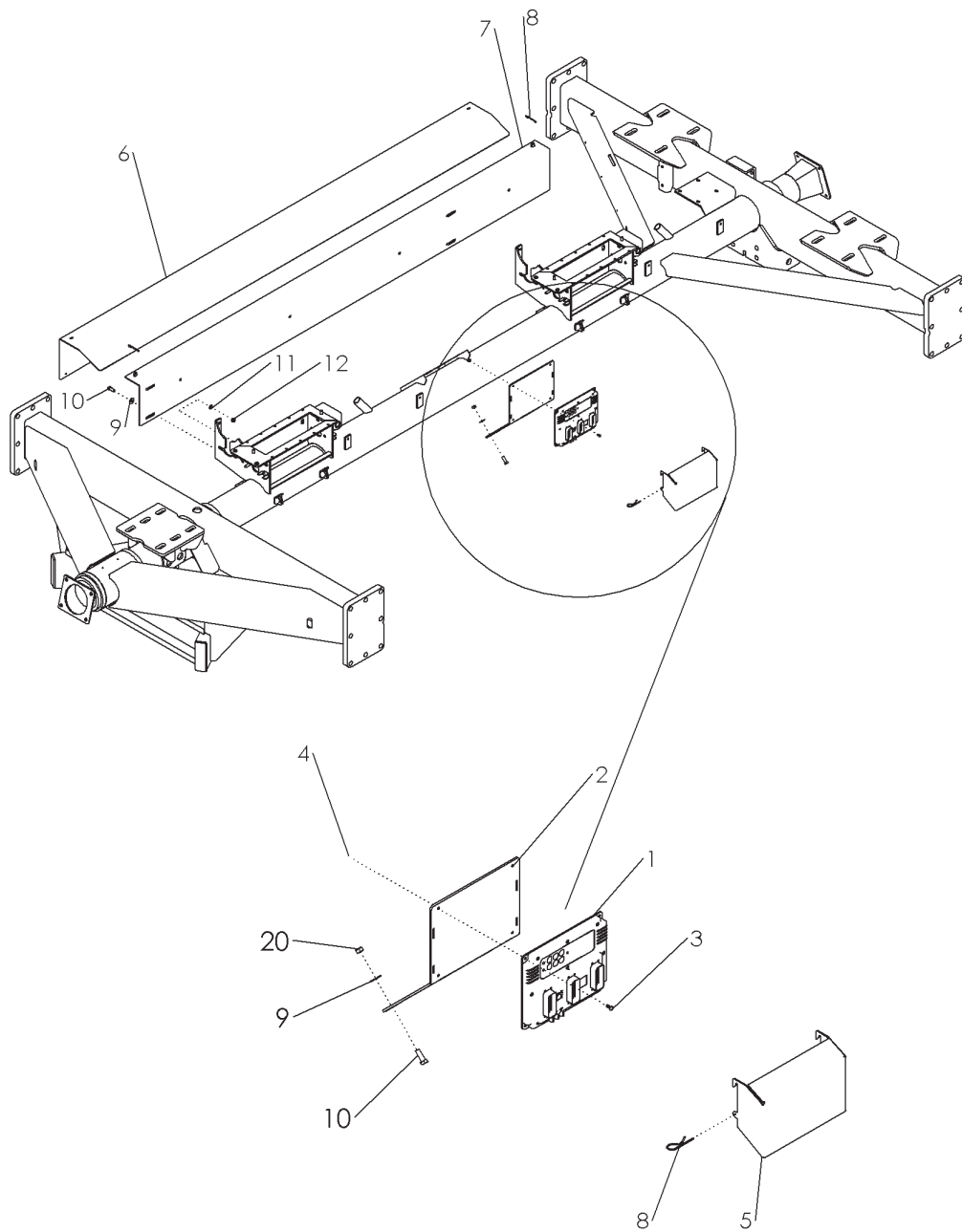
Ref.	Part No.	Description	Qty.
1	65402	WLDMT-TANK 2800	1
	65938	WLDMT-TANK 3350	1
2	65406	WLDMT-RUNNING GEAR	1
	330471	WLDMT-RUNNING GEAR 6"	
3	65525	WLDMT-FRONT PANEL	1
4	65526	WLDMT-REAR PANEL	1
5	65512	GASKET-SEEDBOX .250	2
6	64504	SEALANT-PROGLAZE - OZ.	90
7	65816	WLDMT-AUGER MOUNT	1
8	1012060	BOLT-HEX: .75 X 2.00 NC GR5 ZP	14
9	1017000	NUT-TOPLOCK: .75 NC GR5 ZP	14
10	1030702	WASHER-FLAT: .75 ZP	14
11	1011606	BOLT-HEX: .50 X 1.25 NC GR5 ZP	29
12	1011608	BOLT-HEX: .50 X 1.75 NC GR5 ZP	11
13	1027461	NUT-TOPLOCK: .50 NC GR5 ZP	40
14	1011584	WASHER-FLAT: SAE .50 ZP	51
15	66043	BOLT-CRG: SS .250 X 1.25 NC	20
16	65695	WASHER-FLAT: .250 SS	20
17	1033269	NUT-NYLOCK: .25 NC GR2 SS	20
18	65678	WLDMT-LADDER INSIDE 2800	2
	65942	WLDMT-LADDER INSIDE 3350	2
19	1033271	BOLT-HEX: SS .38 X 1.00 NC	4
20	1033268	NUT-NYLOCK: .38 NC GR2 SS	4
21	65778	WASHER-FLAT: .375 SS	8
22	66549	KIT-LOW VOLUME TANK INSERT 2800 (OPTIONAL)	
	66550	KIT-LOW VOLUME TANK INSERT 3350 (OPTIONAL)	
22.1	34158	INSERT-LOW VOLUME 5800 (RED)	1
	66584	INSERT-LOW VOLUME 3350 (GREEN)	
22.2	66788	FRAME-LOW VOLUME INSERT	1
22.3	57109	NUT-COUPLER .50 X 1.75 ZP	1
22.4	1011591	NUT-JAM: .50 NC GR2 ZP	1
23	1033269	NUT-NYLOCK: .25 NC GR2	2
24	65836	MOUNT-BIN LEVEL SENSOR	1
25	65837	PLATE-BOLTING	1
26	65838	BOLT-HEX: SS .25 X 2.00 NC GR5	2
27	66509	BIN LEVEL SENSOR	1
28	65839	SCREW-P-H: #10 X .75 NC SS	2
29	65712	NUT-NYLOCK: #10-24 SS	2
30	1026562	SCREEN BASKET	2
31	64635	CASE-MANUAL STORAGE	1
32	1011595	BOLT-HEX: .25 X .75 NC GR5 ZP	4
33	1020416	WASHER-FLAT: .25 ZP	4
34	1030946	NUT-TOPLOCK: .25 NC GR5 ZP	4
35	330562	WLDMT-REAR HITCH	1
36	56814	BOLT-EYEBOLT .75 X 6.00 ZP	4
37	1014531	BOLT-HEX: .75 X 11.00 NC GR5 ZP	4
38	330497	PLATE-FRONT SPACER	1
39	330498	PLATE-REAR SPACER	2
40	66381	PLATE-MB CLAMP SPACER	2
41	34808	BOLT-HEX: SS .63 X 2.00 NC	4
42	67496	WASHER-FLAT: .63 SS	4
43	66445	NUT-NYLOCK: .63 NC GR2 SS	4



ASSY-AIRSTREAM SINGLE

Ref.	Part No.	Description	Qty.
1	1023159	GASKET .13 X 5.75 X 7-5" ID	1
	330536	GASKET .13 X 8 X 7-6" ID	
2	65443	WLDMT-FLANGE & TUBE	1
	330535	WLDMT-FLANGE & TUBE 6"	
3	1011606	BOLT-HEX: .50 X 1.25 NC GR5 ZP	4
4	1027461	NUT-TOPLOCK: .50 NC GR5 ZP	4

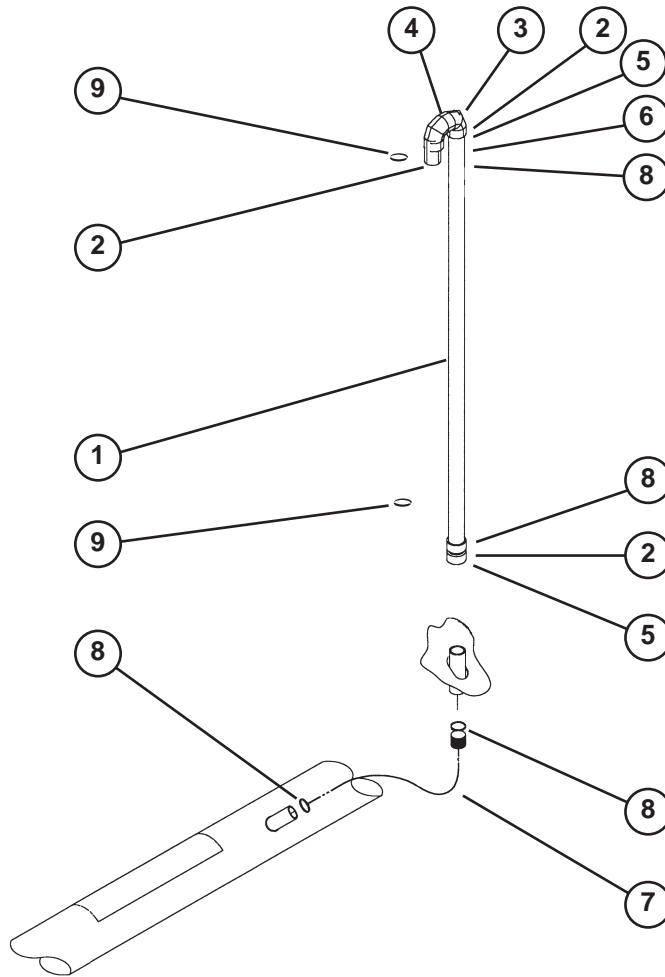
**THIS PAGE
INTENTIONALLY
LEFT
BLANK**



M6001

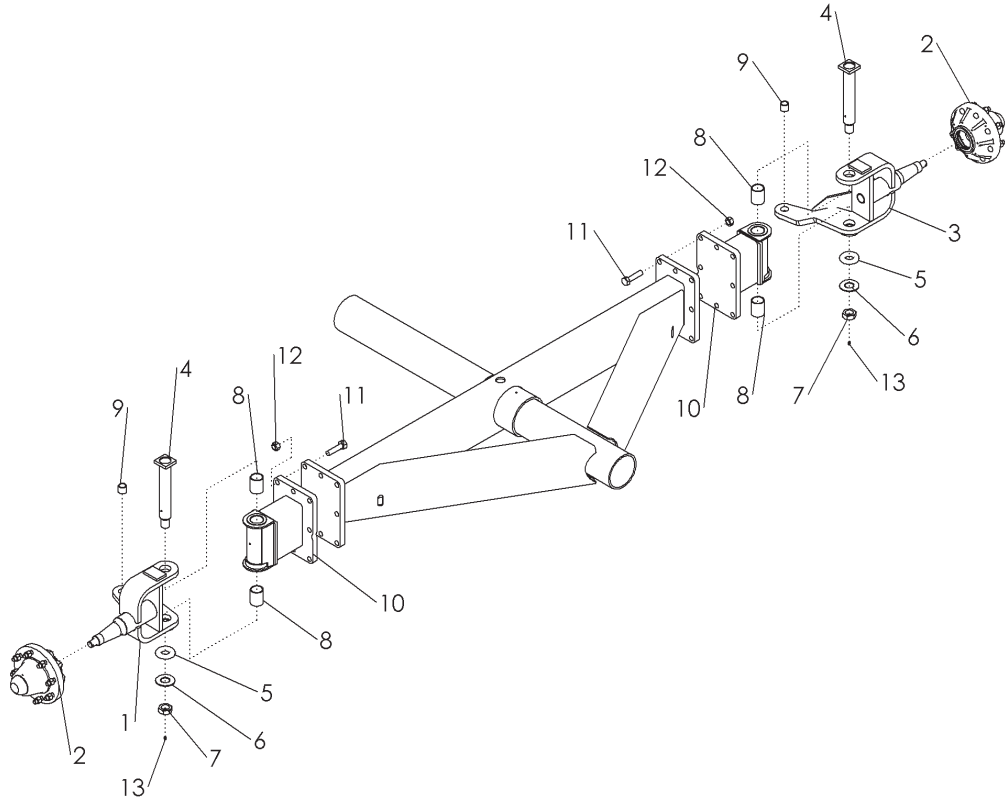
ASSY-ECU MOUNT

Ref.	Part No.	Description	Qty.
1	330339	ECU-D3 ISO CONTROLLER (ICON)	1
2	67219	PLATE-ECU MOUNT	1
3	1013462	SCREW	4
4	1026591	NUT-K-LOCK: .19 NC GR2 ZP	4
5	67249	COVER-ECU MOUNT	1
6	65452	COVER-HOSE MOUNT	1
7	66006	WLDMT-SHIELD BOX	1
8	1012901	PIN-HAIR: .13 X 2.50 ZP	2
9	1011828	WASHER-FLAT .38 ZP	2
10	1011600	BOLT-HEX: .38 X 1.00 NC GR5 ZP	8
11	1011586	WASHER-LOCK: .38 ZP	8
12	1011576	NUT-HEX: .38 NC GR2 ZP	2
13	67643	TANK HARNESS (NOT SHOWN)	1
14	67492	HARNESS-TANK COMPONENT SHORT (NOT SHOWN)	2
15	67514	1/4" WIRE MOUNT (NOT SHOWN)	4
16	67515	3/8" WIRE MOUNT WITH INSERT (NOT SHOWN)	1
17	66585	WIRE HARNESS PURSE LOCK WHITE CLIP (NOT SHOWN)	11
18	67519	TERMINATING SEAL PLUG (NOT SHOWN)	1
19	1012901	PIN-HAIR: .13 X 2.50 ZP	2
20	1016999	NUT-TOPLOCK: .38 NC GR5 ZP	4
21	33005	SENSOR-SPEED GPS (NOT SHOWN)	1
22	67223	ADAPTER-GPS SPEED SENSOR (NOT SHOWN)	1



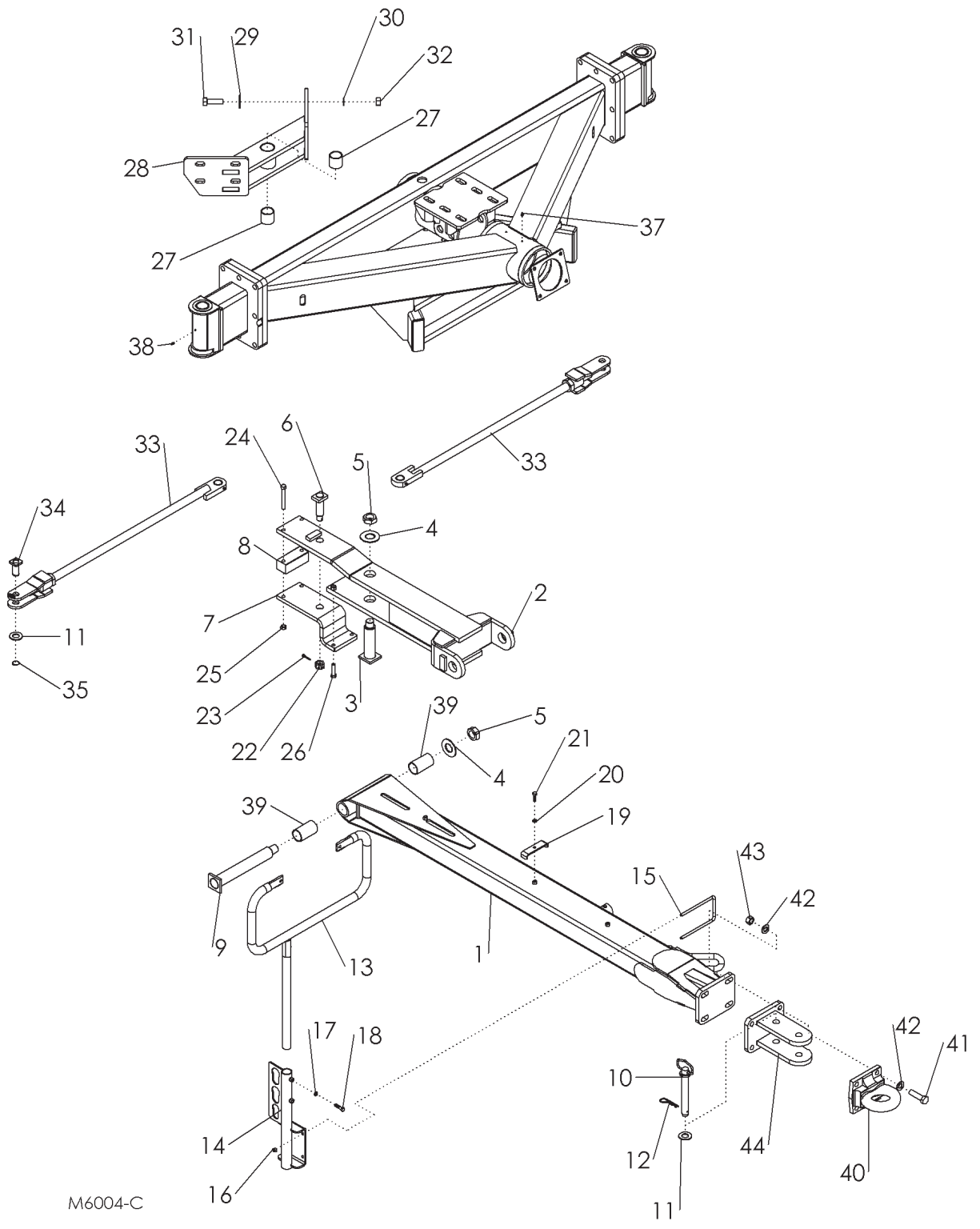
ASSY-PRESSURIZATION KIT

Ref.	Part No.	Description	Qty.
1	65880	HOSE-KANAFLEX 1.25" X INCH LENGTH (2800 AS)	61
		HOSE-KANAFLEX 1.25" X INCH LENGTH (3350 AS)	71
2	65881	PIPE-PVC 1.25" SCH 40 X 4"	4
3	65882	ELBOW-PVC 1.25" SCH 40 F X FG	4
4	65883	PIPE-PVC 1.25" SCH 40 X 3"	2
5	65884	ADAPTER-PVC 1.25" F GLUE X 1.25"	2
6	65885	FTG-PVC 1.25 MP X 1.25 MB	2
7	65880	HOSE-KANAFLEX 1.25" X INCH LENGTH	19.5
8	1013134	CLAMP-HOSE: S.S.#28 1.32-2.25	8
9	65917	CLAMP-HOSE: S.S.#40	4



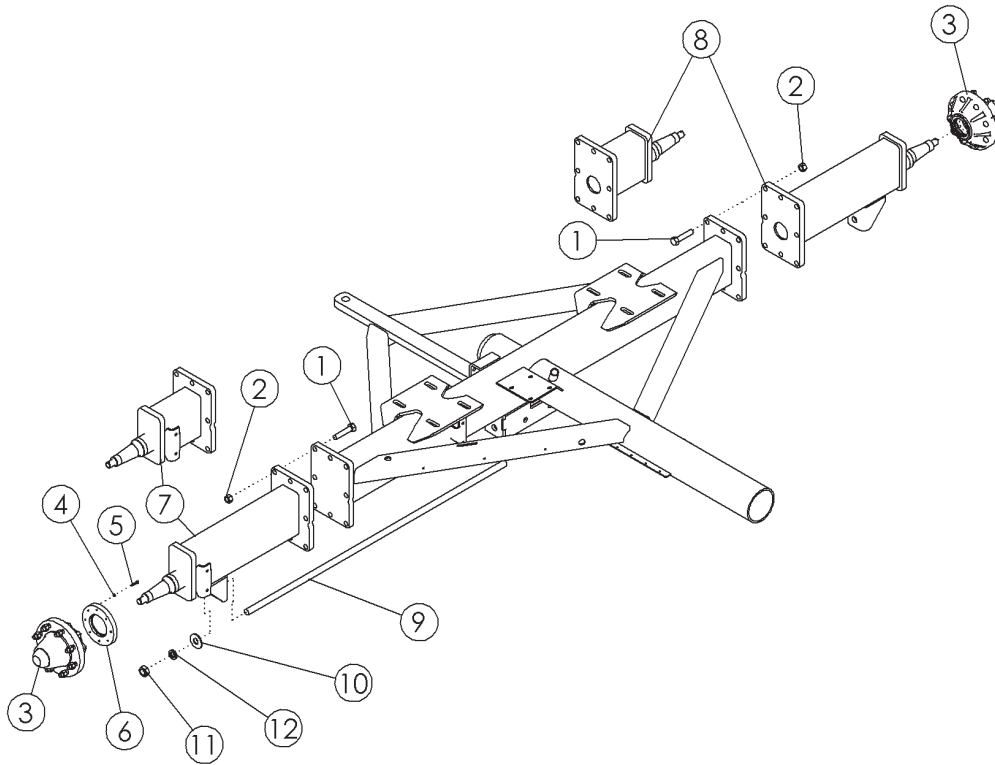
ASSY-AXLES FRONT

Ref.	Part No.	Description	Qty.
1	65429	WLDMT-TRUNION RH	1
2	320159	ASSY-HUB	2
3	65430	WLDMT-TRUNION LH	1
4	65439	WLDMT-KING PIN	2
5	1020688	BEARING-THRUST: TIMKEN T177	2
6	1020675	WASHER-STAR: INTERNAL 1.25" ZP	2
7	65864	NUT-JAM: 1.25 NF GR2 ZP	2
8	67691	BUSHING-MACH. 1.760 X 2.00 X 2.50	4
9	330833	BUSHING-POLY 1.004ID X 1.25OD X 1.125L	2
10	67653	WLDMT-TRUNION MOUNT	2
11	1012059	BOLT-HEX: .75 X 3.00 NC GR5 ZP	16
12	1017000	NUT-TOPLOCK: .75 NC GR5 ZP	16
13	1011748	ZERK-GREASE: .25 UNF STRAIGHT	2



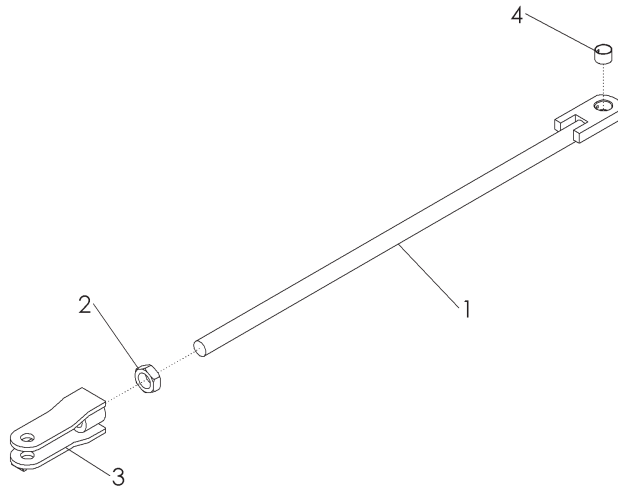
ASSY-DRAWPOLE & STEERING LINKAGE

Ref.	Part No.	Description	Qty.
1	67678	WLDMT-DRAWPOLE	1
2	65432	WLDMT-HITCH	1
3	65442	WLDMT-KING PIN	1
4	1020675	WASHER-STAR: INTERNAL 1.25 ZP	2
5	65864	NUT-JAM: 1.25 NF GR2 ZP	2
6	65440	WLDMT-KING PIN HITCH	1
7	65433	BRACKET-HITCH	1
8	65434	BLOCK-SPACER	1
9	65441	WLDMT-TOUNGE HINGE BOLT	1
10	1027881	HITCH PIN	1
11	1016663	WASHER-FLAT	3
12	1016115	PIN-HAIR: .19 X 3.25 ZP	1
13	65887	WLDMT-CRADLE HOSE SUPPORT	1
14	66010	WLDMT-MOUNT HOSE SUPPORT	1
15	66005	U-BOLT: .375 X 7.13 X 4 X 7.13	2
16	1016999	NUT-TOPLOCK	4
17	1013519	NUT-JAM: .38 NC GR2 ZP	2
18	1011602	BOLT-HEX: .38 X 1.50 NC GR5 ZP	2
19	65813	BRACKET	1
20	1011586	WASHER-LOCK: .38 ZP	1
21	1011601	BOLT-HEX: .38 X 1.25 CN GR5 ZP	1
22	65679	NUT-HEX: SLOT .88 NF GR5 ZP	1
23	1012375	PIN-COTTER: .19 X 1.50 NP	1
24	1032507	BOLT-HEX: .50 X 4.00 NC GR5 ZP	2
25	1027461	NUT-TOPLOCK: .50 NC GR5 ZP	4
26	1011609	BOLT-HEX: .50 X 2.00 NC GR5 ZP	2
27	65398	BUSHING-MACHINED 1.765 X 2.00 X 1.875	2
28	65760	WLDMT-HITCH PIVOT	1
29	1030702	WASHER-FLAT: .75 ZP	8
30	1012061	WASHER-LOCK: .75 ZP	8
31	1016598	BOLT-HEX: .75 X 2.50 NC GR5 ZP	8
32	1011620	NUT-HEX: .75 NC GR2 ZP	8
33	66092	ASSY-TIE ROD	2
34	330836	WLDMT-TIE ROD PIN	2
35	330837	RING-SNAP 1.00 EXTERNAL ZP	2
36	11011434	NUT: .75 NC GR8 ZP	4
37	1011748	ZERK-GREASE: .25 UNF STRAIGHT	6
38	1011747	ZERK-GREASE: .25 UNF 90°	2
39	67649	BUSHING-MACHINED 1.765 X 2.00 X 3.50	4
40	64200	HITCH-PINTLE PAINTED (OPTIONAL)	1
41	62096	BOLT-HEX: .75 X 2.50 NC GR8 ZP	4
42	35132	WASHER-FLAT: SAE .75 YZP GR8	8
43	67679	WLDMT-DRAWPOLE CLEVIS	1
44	65829	JACK STAND 2000 LB (NOT SHOWN)	1



ASSY-AXLES REAR 150"

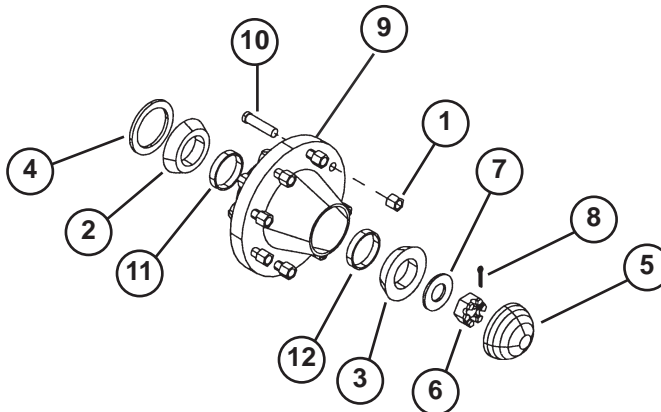
Ref.	Part No.	Description	Qty
1	58369	BOLT-HEX: .75 X 3.50 NC GR5 ZP	16
2	1013834	NUT-NYLOCK: .75 NC GR2 ZP	16
3	320159	ASSY-HUB 8 BOLT W/BRAKE	2
4	1013242	WASHER-LOCK: .25	8
5	1013940	BOLT: .25 X 1.25 NC ZP	8
6	65425	FLANGE & SPROCKET	1
7	65436	WLDMT-SPINDLE RH DRIVE (150")	1
	65943	WLDMT-SPINDLE RH (120")	1
8	65437	WLDMT-SPINDLE LH (150")	1
	65177	WLDMT-SPINDLE LH (120")	1
9	65683	ROD-TRUSS ZP (150" AXLE ONLY)	2
10	1020685	WASHER-FLAT: 1.00 ZP (150" AXLE ONLY)	4
11	1012664	NUT-HEX: 1.00 NC GR2 ZP (150" AXLE ONLY)	4
12	1013539	WASHER-LOCK: 1.00 ZP (150" AXLE ONLY)	4



M6006-B

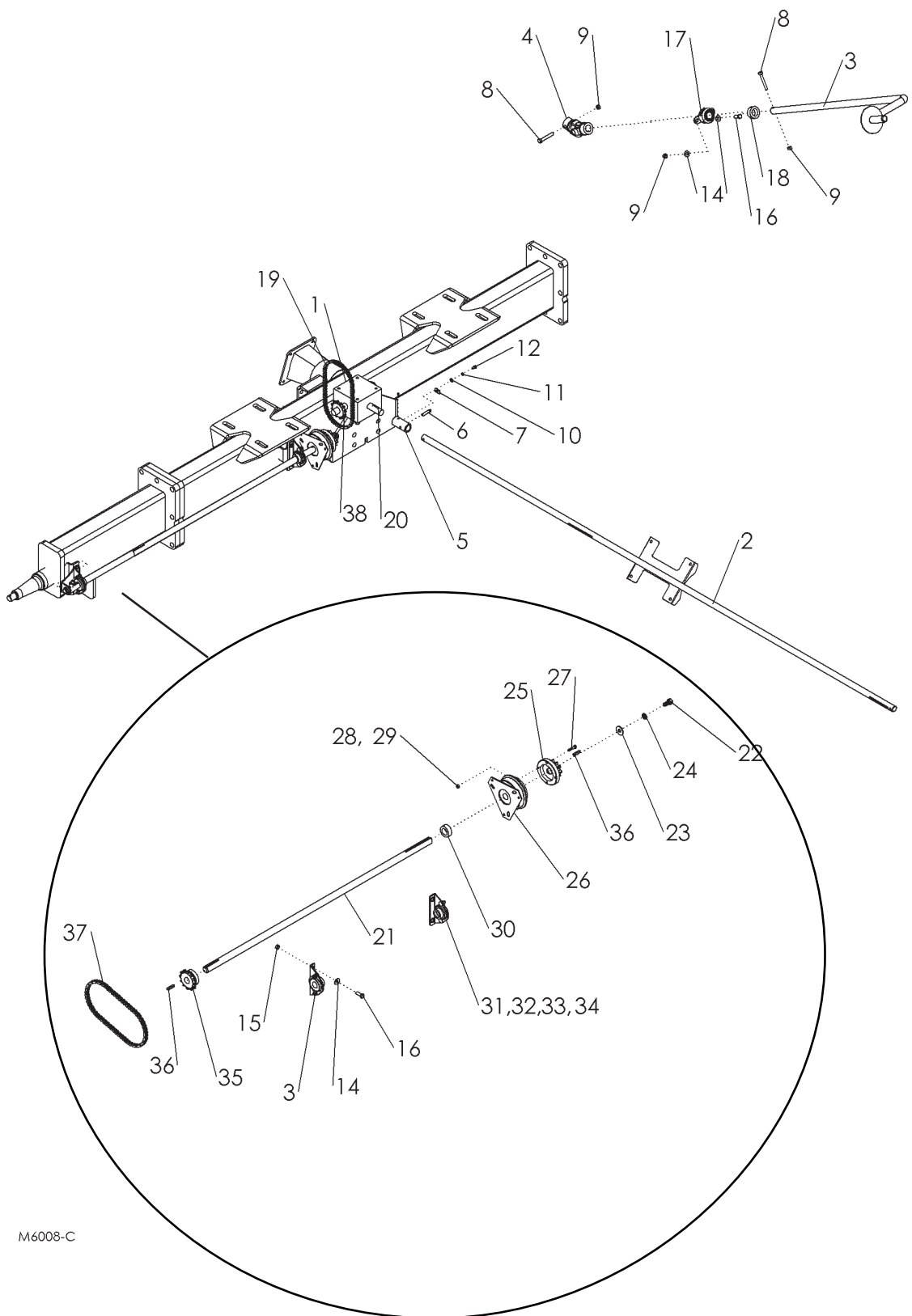
ASSY-TIE ROD

Ref.	Part No.	Description	Qty.
1	65536	TIE ROD - W/BUSHING	1
2	65864	NUT-JAM: 1.25 NF GR2 ZP	1
3	65270	TIE ROD CLEVIS-ZP	1
4	330832	BUSHING-TIE ROD 1.131ID X 1.25OD X .875L	1



ASSY-HUB

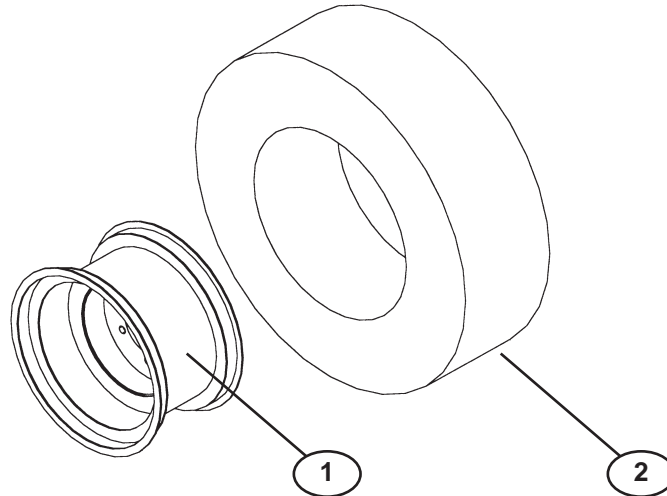
Ref.	Part No.	Description	Qty.
	320159	ASSY-HUB 8 BOLT W/BRAKE (BLACK)(INCLUDES 1-6 &9)	4
1	1013470	NUT-BEVELED	8
2	65987	CONE-INNER	1
3	1012354	CONE-OUTER	1
4	1017764	SEAL	1
5	320152	CAP-HUB	1
6	1030726	NUT-SPINDLE	1
7	1030728	WASHER-SPINDLE	2
8	1030797	PIN-COTTER	1
9	320160	HUB-8 BOLT W/BRAKE (INCLUDES 10-12)	1
10	65944	STUD-LUG	8
11	65948	CUP-INNER	1
12	1012359	CUP-OUTER	1



M6008-C

ASSY-METER DRIVELINE

Ref.	Part No.	Description	Qty.
1	65649	GEARBOX-PRARIE (1:1) PAINTED	1
	330132	SEAL GEARBOX (65649)	
2	65567	SHAFT-METERDRIVE	1
3	65688	WLDMT-METER CRANK	1
4	65826	U-JOINT	1
5	65552	COUPLER	1
6	1013218	PIN-SHEAR: BRASS	1
7	1013221	STRIP-SHEAR PIN	1
8	65693	BOLT-HEX: SS .38 X 2.50 NC	2
9	1033268	NUT-NYLOCK: SS .38 NC GR2	3
10	65695	WASHER-FLAT: SS .25	1
11	65696	WASHER-LOCK: SS .25	1
12	65692	BOLT-HEX: SS .25 X .50 NC	1
13	1013044	SCREW-SET: .25 X .25 NC GR8 NP	1
14	1033262	WASHER-FLAT: SAE SS .38	9
15	1016999	NUT-TOPLOCK: .38 NC GR5 ZP	3
16	1033271	BOLT-HEX: SS .38 X 1.00 NC	6
17	1030961	BEARING FLANGE ASSY MODIFIED	1
18	65694	COLLAR SET SS 1.00	1
19	65699	CHAIN-ROLLER 60-1R-031 NICKEL PLT	1
	65701	LINK-CONNECTOR #60 NICKEL PLT	1
	65725	LINK-OFFSET #60 NICKEL PLT	1
20	65715	KEY .250 X .250 X 1.250 SS	4
21	65945	SHAFT-CLUTCH DRIVE 120" ZP	1
	65654	SHAFT-CLUTCH DRIVE 150" ZP	1
22	1011096	BOLT-HEX: .50 X 1.00 NC GR5 ZP	1
23	1014443	WASHER-FLAT: .50 ZP	1
24	1011581	WASHER-LOCK: .50 ZP	1
25	65553	ASSY-ADAPTER	1
26	1021090	CLUTCH-ELECTRIC	1
27	1013940	BOLT-HEX: .25 X 1.25 NC GR5 ZP	4
28	1011587	NUT-HEX: .25 NC GR2 ZP	4
29	1013242	WASHER-LOCK: .25 ZP	4
30	66181	BUSHING-ADAPTER	1
31	1018571	BEARING-PILLOW BLOCK	2
32	65702	BOLT-CRG: .31 X 0.75 NC GR5 ZP	4
33	1029115	WASHER-LOCK: .31 ZP	4
34	1011575	NUT-HEX: .31 NC GR2 ZP	4
35	1012976	SPROCKET-60BS10 X 1.00 MARTIN	1
36	65715	KEY .250 X .250 X 1.250 SS	2
37	65703	CHAIN-ROLLER 60-1R-027 NICKEL PL (NOT SHOWN)	1
	65704	LINK-CONNECTOR 60 NICKEL PLATED	1
	65724	LINK-OFFSET #60 NICKEL PLATE	1
38	1012976	SPROCKET-60BS10 X 1.00 - 23.1R26 HIGH RATE	1
	66075	SPROCKET-60BS12 X 1.00 - 18.4R26 HIGH RATE	
	1025228	SPROCKET-60BS15 X 1.00 - 23.1R26 STANDARD RATE	
	1021069	SPROCKET-60BS17 X 1.00 - 18.4R26 STANDARD RATE	

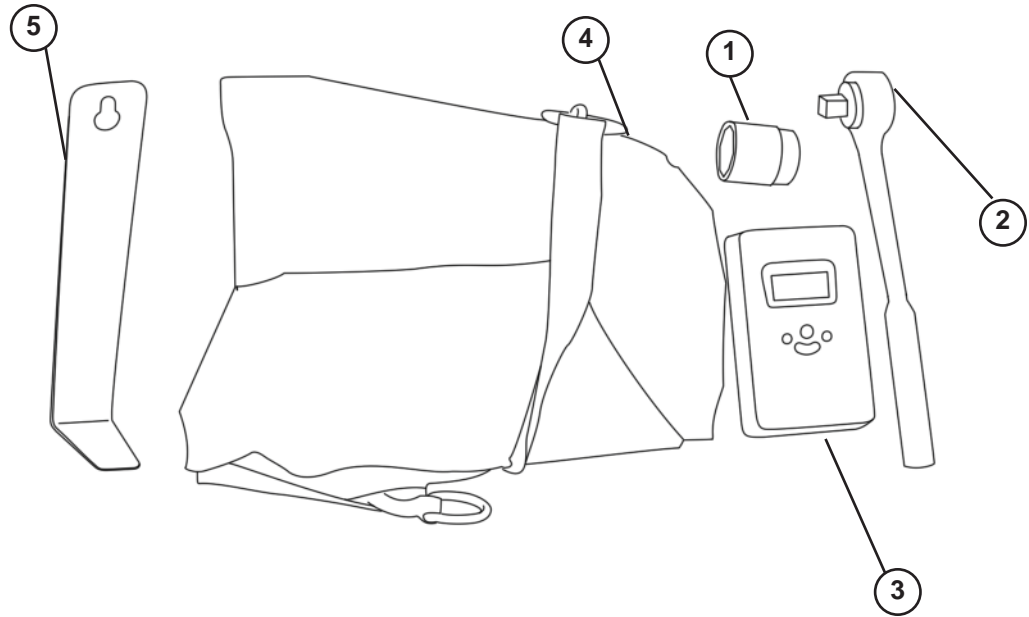


ASSY-W&T 18.4X26 R1 10PLY, 16X26X8

Ref.	Part No.	Description	Qty.
	65685	TIRE-MNTD: 18.4X26 R1 10PLY	4
1	1020719	WHEEL: 16X26 - 8 BOLT	1
2	1030988	TIRE: 18.4X26 R1 10 PLY	1

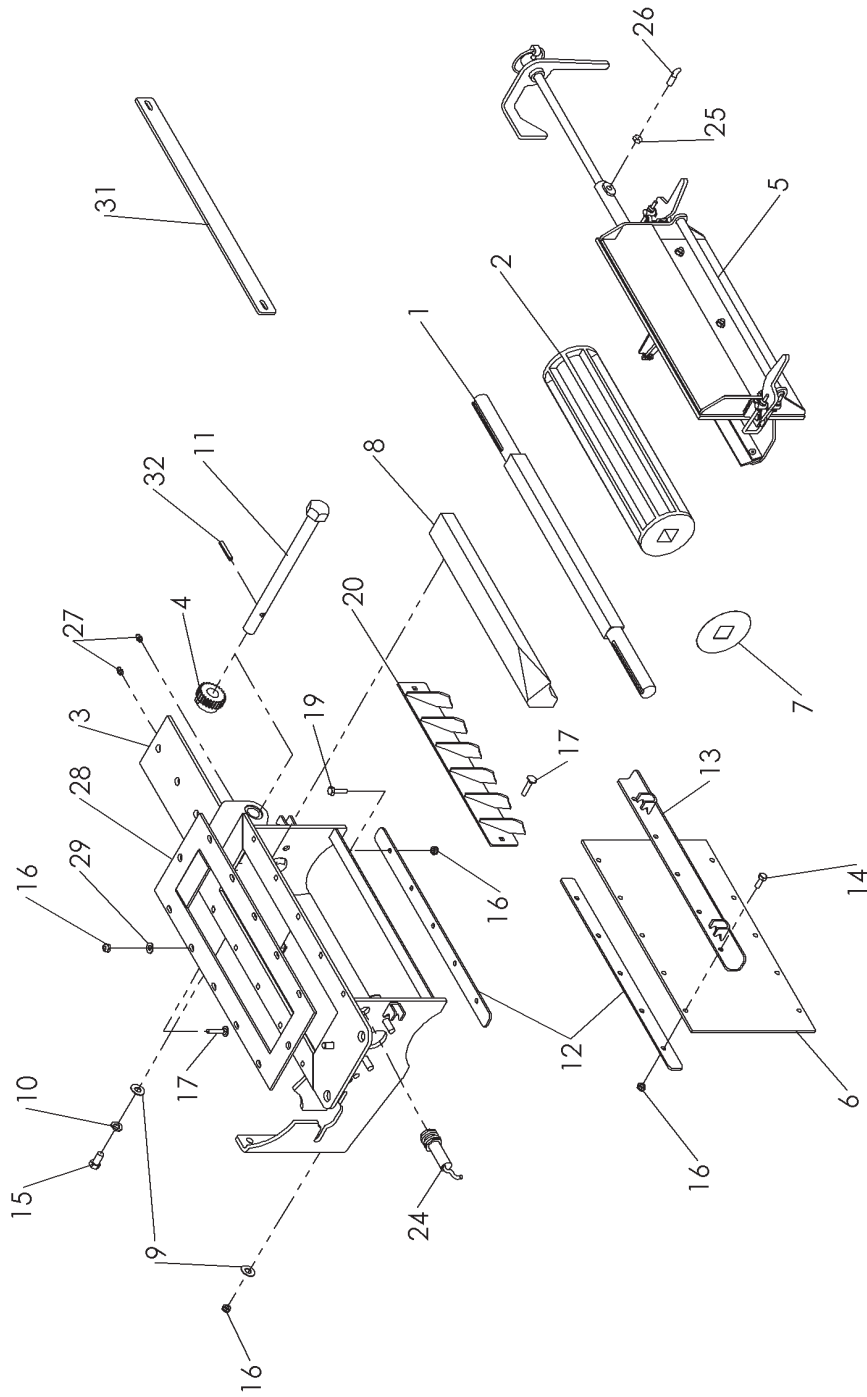
ASSY-W&T 23.1X26 R1 10PLY, 20X26X8

Ref.	Part No.	Description	Qty.
	65687	TIRE-MNTD: 23.1X26 R1 10-PLY	4
1	1021068	WHEEL: 20X26 - 8 BOLT	1
2	1029689	TIRE: 23.1X26 R1 10 PLY	1



KIT-CALIBRATION COMPONENTS

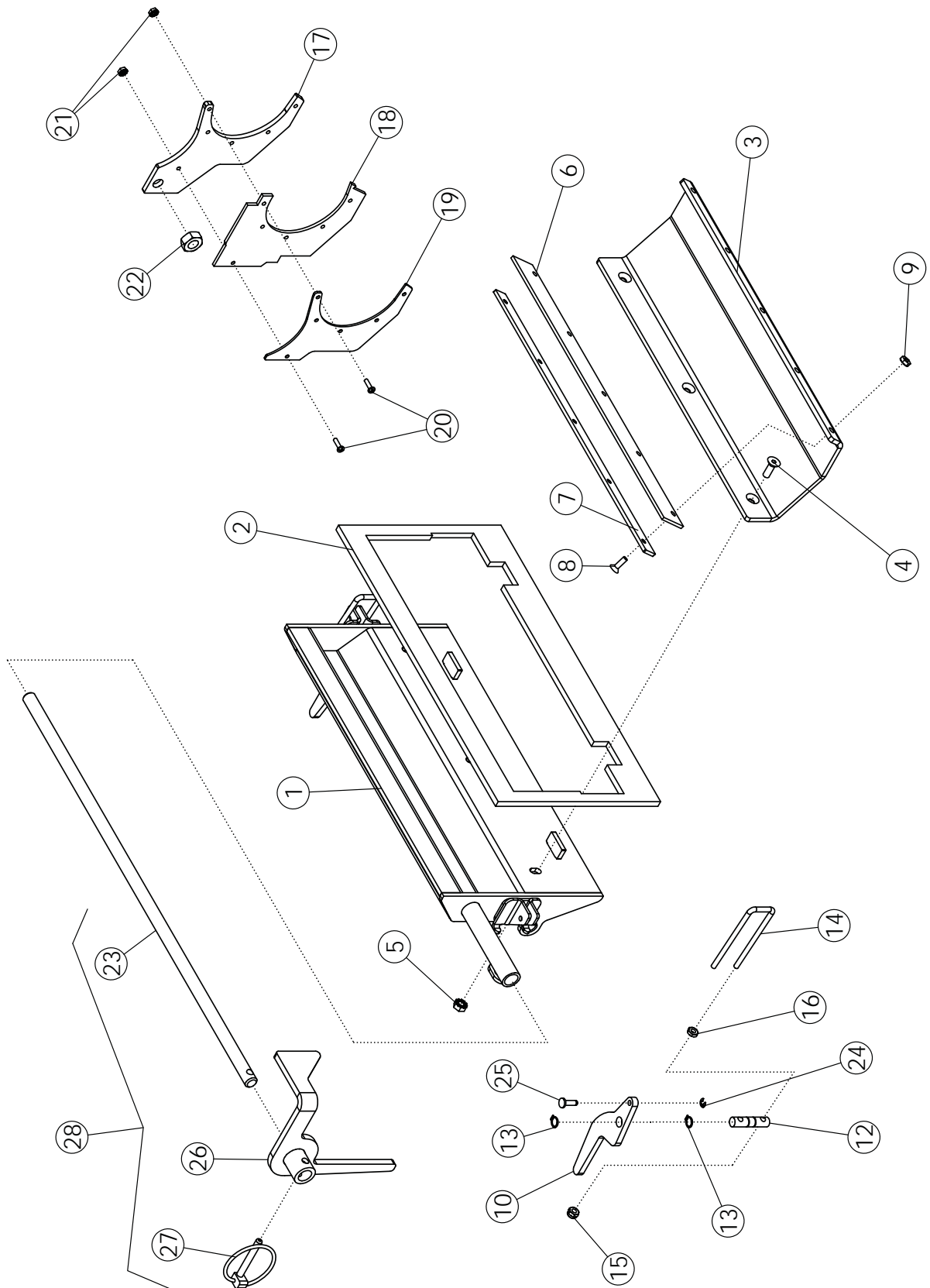
Ref.	Part No.	Description	Qty.
1	66354	SOCKET-1.125" (.50" DRIVE)	1
2	65890	RATCHET-.50" DRIVE	1
3	67641	SCALE-CALIBRATION DIGITAL 110 LB	1
4	1032048	BAG-CALIBRATION KIT	1
5	34569	PLATE-WRENCH SEED DEPTH	1
6	65891	SCREWDRIVER (NOT SHOWN)	1



M6009-B

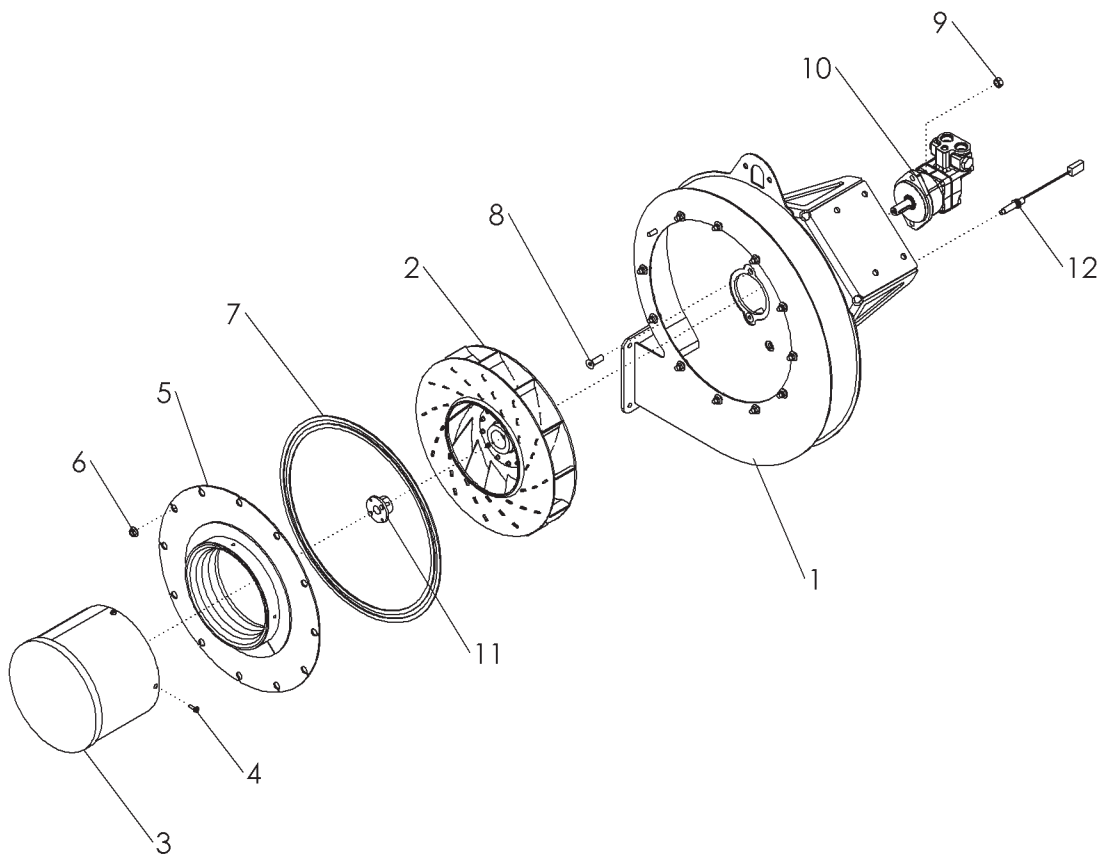
ASSY-METER BOX

Ref.	Part No.	Description	Qty.
1	65650	SHAFT-METER ROLL	1
2	65705	WLDMT-METER ROLL - HIGH VOLUME	1
	1012608	WLDMT-METER ROLL - MEDIUM VOLUME	
	33851	WLDMT-METER ROLL - LOW VOLUME	
	67639	WLDMT-METER ROLL - FINE PRODUCT	
3	65632	WLDMT-TOP SLIDE IN DOOR	1
4	65707	PINION-SS	1
5	66306	ASSY-MB DOOR W/FLOWPLATE	1
6	65708	RUBBER CLEANOUT DOOR	1
7	65744	PLATE METER ROLL SPACER	AR
8	66062	BLOCK-METER TOP	1
9	1033262	WASHER-FLAT: SAE SS .38	8
10	1011586	WASHER-LOCK: .38 ZP	2
11	65630	BOLT-PIN ADJUSTMENT	1
12	65629	PLATE-CLEANOUT RETAINER	2
13	65626	WLDMT-ANGLE LATCH	1
14	1033270	BOLT-HEX: SS .25 X .75 NC	5
15	66375	BOLT-HEX: SS .38 X 1.00 NC	2
16	1033269	NUT-NYLOCK: SS .25 NC GR2	20
17	66043	BOLT-CRG: SS .25 X 1.25 NC	12
18	1011576	NUT-HEX: .38 NC GR2 ZP	4
19	66077	BOLT-HEX: SS .25 X 1.00	5
20	330317	WLDMT-MB AIR DAM TBH (LH)	1
21	1032044	SCALE-CLAIBRATION KIT (NOT SHOWN)	1
22	64503	GLUE-MASTERBRAND GASKET (NOT SHOWN)	1.75
23	66098	ASSY-CLEANOUT DOOR (INCLUDES ITEMS 12,13,14,16,23)	1
24	66511	SENSOR TURCK (WITH END)	1
25	1023719	NUT-JAM: SS .31NC	1
26	66316	SCREW-THUMB SP HEAD .313-18 X .75 SS	1
27	1011748	ZERK-GREASE: .25 UNF STRAIGHT	2
28	65512	GASKET-SEEDBOX .250	1
29	65695	WASHER-FLAT: .25 SS	10
30	66097	ASSY-DEFLECTOR (NOT SHOWN)	1
31	65490	PLATE-INDICATOR DECAL	1
32	1021512	PIN-ROLL: .25 X 1.38 ZP	1



ASSY-METER BOX DOOR

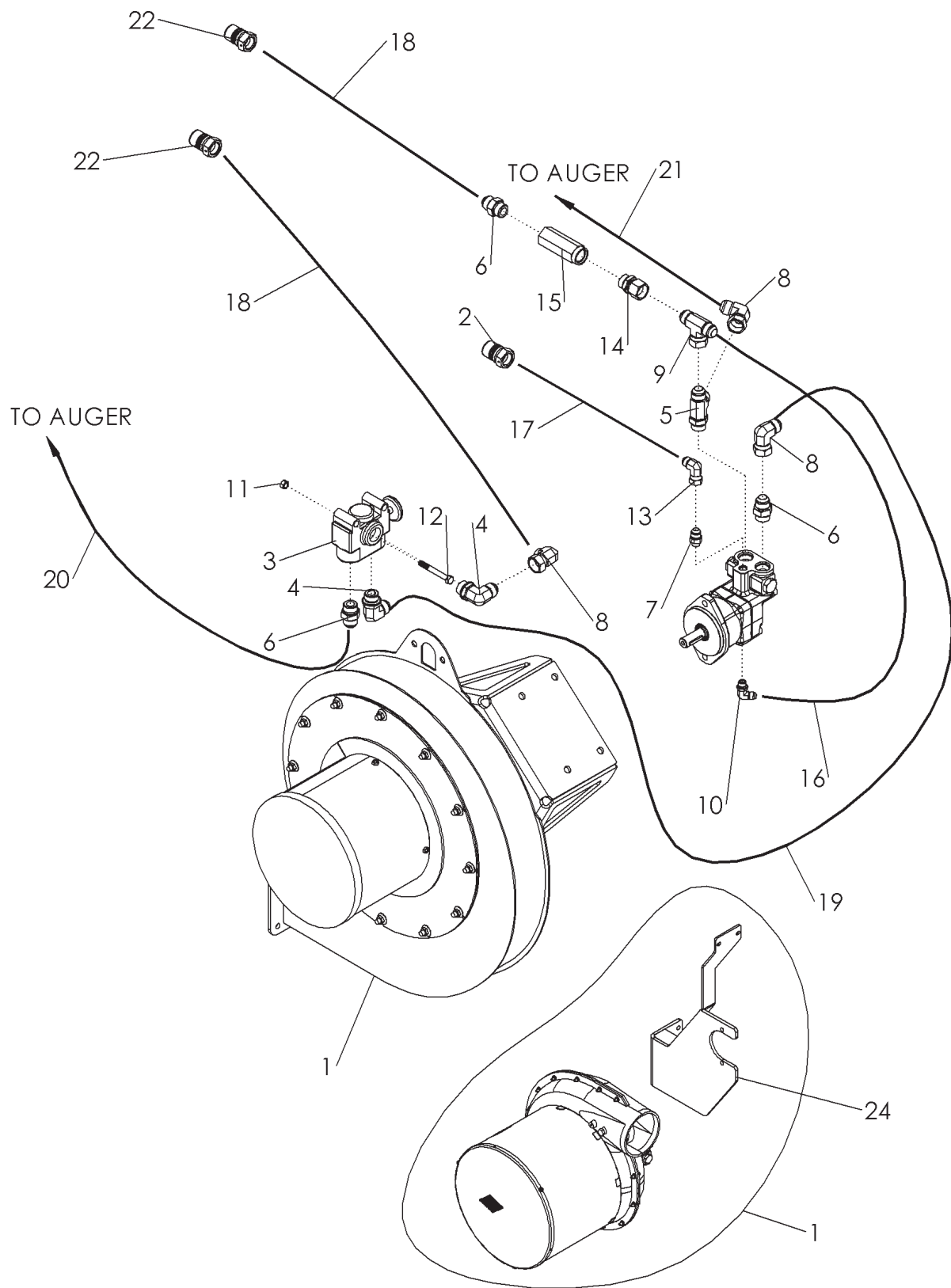
Ref.	Part No.	Description	Qty.
1	66305	WLDMT-MB DOOR	1
2	66344	GASKET-RUBBER MB DOOR	1
3	66300	PLATE-MB SEED TRAY	1
4	66347	SCREW F-H-S-C: .25 X .75 NC SS	3
5	66348	NUT-K-LOCK: .25 NC SS	3
6	66345	WIPER RUBBER	1
7	66310	SHEET-MB WIPER MOUNT	1
8	1032095	SCREW-F-H-S-C: .19 X .625 NC SS	5
9	1032059	NUT-K-LOCK: 18-8 SS .19 NC	5
10	65640	PLATE-METER CLAMP HANDLE	2
12	65639	SHAFT-METER LATCH	2
13	67499	RING-RETAINING .375 SS	4
14	65655	U-BOLT: SS .188 X 3.25 X .875 X 3.25	2
15	65712	NUT-NYLOCK: 10-24 GR2 SS	4
16	65348	NUT-HEX: SS 10-24	4
17	66307	PLATE-MB FLOW CONTROL	1
18	66346	SEAL-RUBBER FLOW CONTROL	1
19	66309	PLATE-MB FLOW CONTROL	1
20	1032093	SCREW-P-H: #6 X .50 NC SS	6
21	1032094	NUT-K-LOCK: 18-8 SS .19 NC	6
22	1032190	NUT-JAM: .50 NC SS	1
23	65661	ROD-FLOW CONTROL	1
24	67498	E-CLIP: .188 SS	2
25	67497	PIN-METER LATCH	2
26	65662	WLDMT-INDICATOR	1
27	65311	PIN-LYNCH: .25 X 1.563	1
28	65651	ASSY-FLOW CONTROL ROD	1



M6029-A

ASSY-BLOWER (330470)

Ref.	Part No.	Description	Qty.
1	330443	WLDMT-NARROW HOUSING	1
2	330415	ROTOR-REM RT176CW BALANCED	1
3	330416	SCREEN-INLET REM RT176CW	1
4	63671	BOLT-FLANGE: .25 X 1.00 NC GR5 ZP LOCK	4
5	330560	WLDMT-BELL INLET REM RT176CW FLUSH	1
6	330419	NUT-FLANGE SERR .38 NC ZP GR2 LG	12
7	330418	NEOPRENE 1/8 X 3/8 X 5.25FT	2
8	1011607	BOLT-HEX: .50 X 1.50 NC GR5 ZP	2
9	1027461	NUT-TOPLOCK: .50 NC GR5 ZP	2
10	66244	MOTOR-HYDRAULIC W/CHECK PAINTED	1
	66752	SEAL-MOTOR SHAFT	
	1021978	SEAL KIT: HYD MOTOR	
	330499	KEY-6MM X 6MM X 35MM ROUNDED	
11	330381	BUSING-SPLIT TAPER H X 20 MM W/HDRWR	1
12	66510	SENSOR-FAN SPEED	1



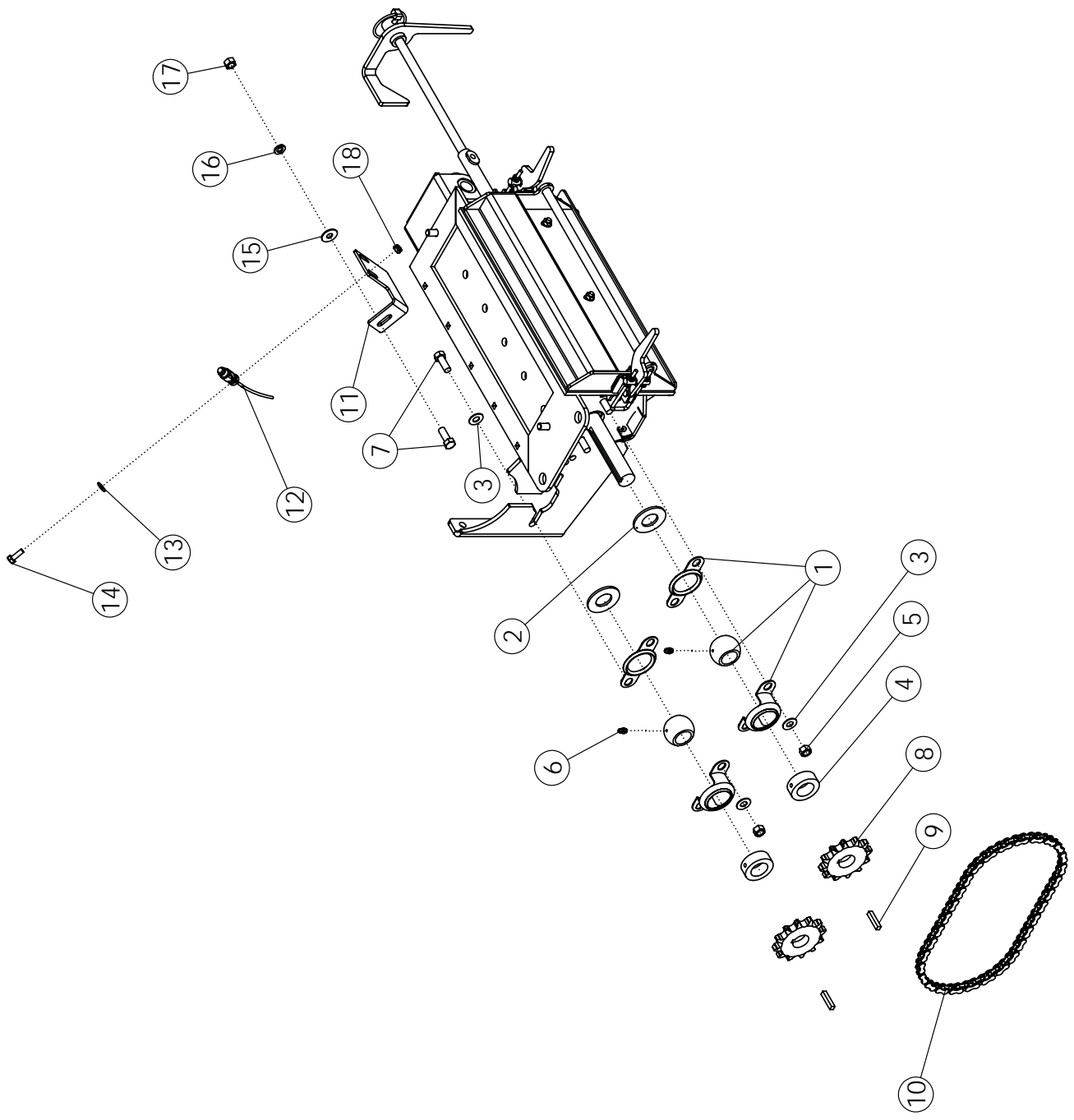
5012-B

ASSY-BLOWER HYDRAULIC GROUND DRIVE

Ref.	Part No.	Description	Qty.
1	330470	ASSY-BLOWER HYDRUALIC 6"	1
	66099	ASSY-BLOWER HYDRAULIC	
2	37065	QUICK COUPLING-MALE 8-10 ORB	1
3	65846	VALVE-SELECTOR PAINTED (3-WAY)	1
	65848	SEAL-O-RING	2
	33083	KNOB-SELECTOR	1
4	64060	FTG-ELBOW 12MB-12MJ-90	2
5	66248	FTG-TEE 12MB-12MJ-12MJ	1
6	65918	FTG-ADAPTER: 12MB-12MJ	3
7	62024	FTG-ADAPTER: 6MB-8MJ	1
8	59041	FTG-ELBOW 12MJ-12FJX-90	3
9	59053	FTG-TEE12MJ-12MJ-12FJX	1
10	66270	FTG-RESTRICTOR: 6MB-6MJ-90 .032	1
11	1016999	NUT-TOPLOCK: .38 NC GR5 ZP	2
12	1013239	BOLT-HEX: .38 X 3.00 NC GR5 ZP	2
13	57668	8MJ-8FJX-90	1
14	66249	FTG-ADAPTER: 12MB-12FJX	1
15	65857	VALVE-CHECK SAE #12	1
16	330077	HOSE: .50 X 024 12FJX-6FJX	1
17	67670	HOSE: .50 X 312 8MB-8FJX	1
18	67671	HOSE: .75 X 310 12FJX-12MB	2
19	66245	HOSE: .75 X 024 12FJX-12FJX	1
20	65898	HOSE: .50 X 240 12FJX-12FJX-90 (8" AND 10")	1
21	65897	HOSE: .50 X 240 12FJX-12FJX (8" AND 10")	1
22	37064	QUICK COUPLING-MALE 12-12 ORB	2
23	37065	QUICK COUPLING-MALE 8-10 ORB	1
24	65718	WLDMT-FAN MOUNT	1

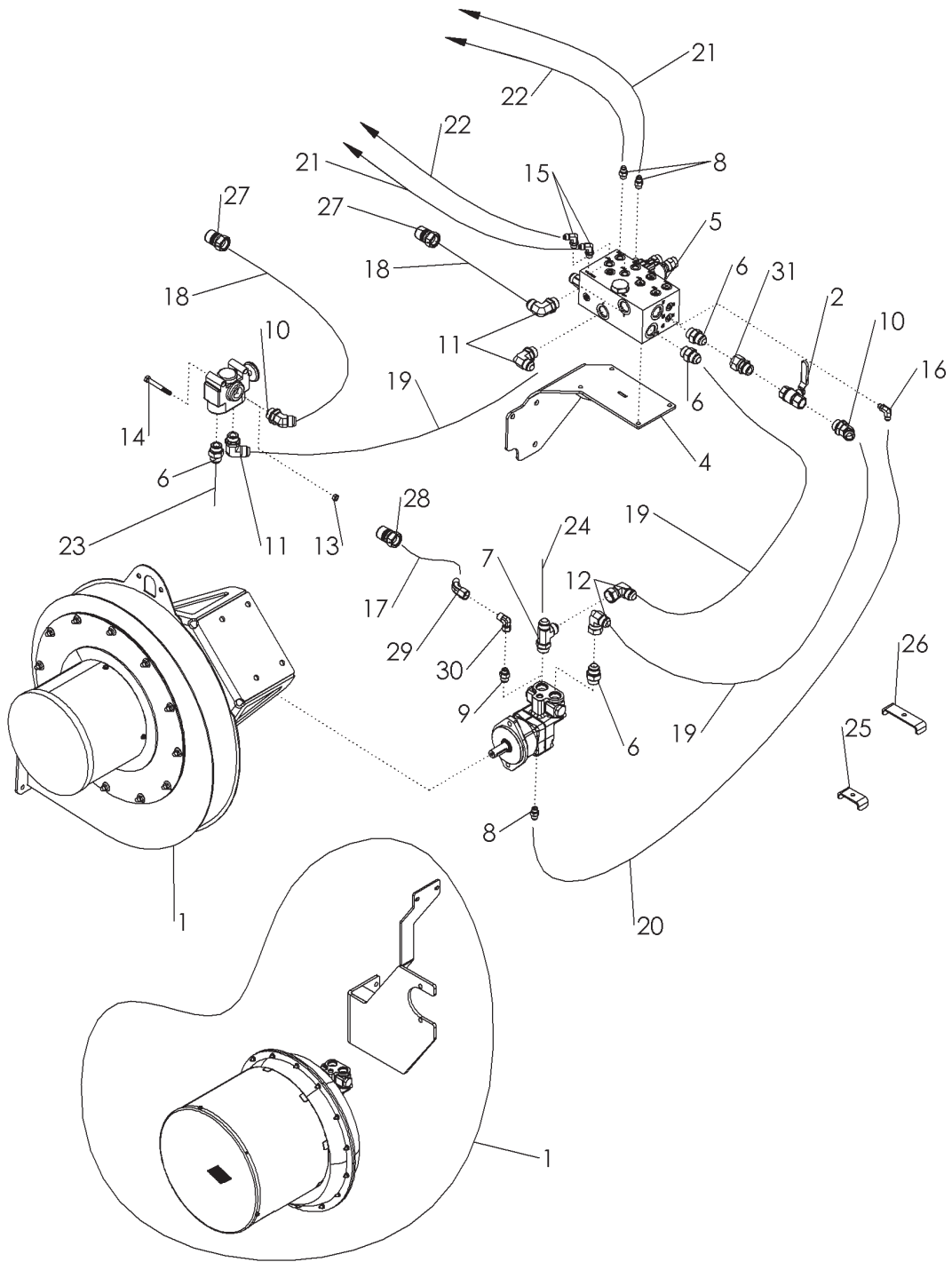
+ CASE DRAIN COUPLERS AT TRACTOR

Ref.	Part No.	Description	Qty.
25	69119	FTG-CASE DRAIN JD & CNH (NOT SHOWN)	AR
26	69120	FTG-MOTOR RETURN LINE (NOT SHOWN)	AR
27	66199	PIONEER TIP 8010-15 (NOT SHOWN)	AR
28	66961	FTG-ADAPTER: 8FB-12MB (NOT SHOWN)	AR
29	37066	QUICK COUPLING-FEMALE -12-12 ORB (NOT SHOWN)	AR
30	37067	QUICK COUPLING-FEMALE -8-10 ORB (NOT SHOWN)	AR



ASSY-GROUND DRIVE

Ref.	Part No.	Description	Qty.
1	1012986	BEARING-FLANGE/A	2
2	1012978	WASHER-RUBBER	2
3	1033262	WASHER-FLAT: SAE SS .38	5
4	65694	COLLAR-SET: 1.00 SS	2
5	1011576	NUT-HEX: .38 NC GR2 ZP	4
6	1011748	ZERK-GREASE: .25 UNF STRAIGHT	3
7	1033271	BOLT-HEX: SS .38 X 1.00 NC	2
8	65698	SPROCKET SS #40	2
9	65715	KEY .250 X .250 X 1.250 SS	2
10	65700	CHAIN ROLLER 40-1R-039 SS	1
	65697	LINK CONNECTOR SS #40	1
	65726	LINK OFFSET #40 SS	1
11	66587	BRACKET-SHAFT SENSOR	1
12	66507	SENSOR-SPEED/SHAFT	1
13	65695	WASHER-FLAT: SS .25	1
14	1033270	BOLT-HEX: SS .25 X .75 NC	1
15	65778	WASHER-FLAT: SS .38	1
16	65706	WASHER-LOCK: SS .38	1
17	1032089	NUT-HEX: SS .38 NC	1
18	1033269	NUT-NYLOCK: SS .25 NC GR2	1



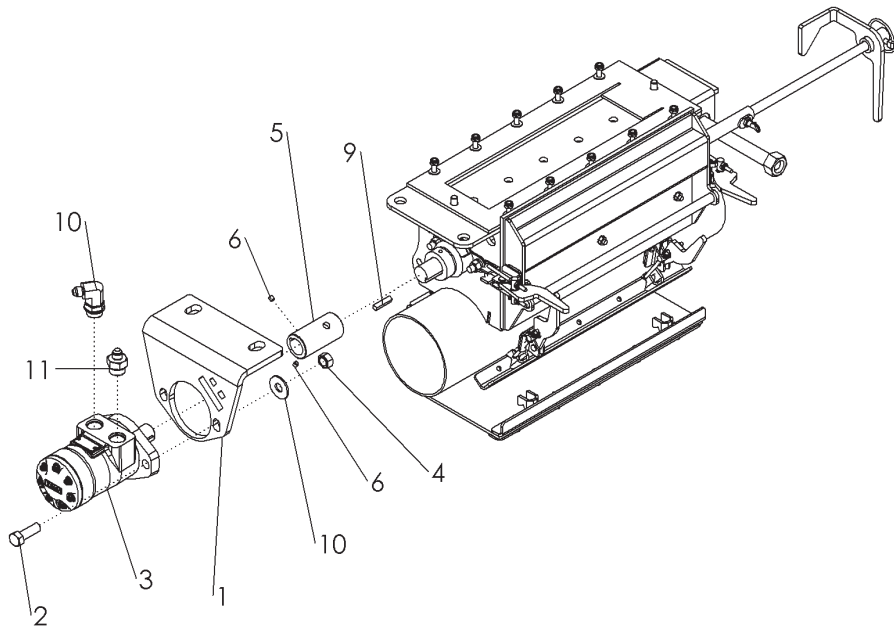
M6014-B

ASSY-BLOWER HYDRAULIC DRIVE

Ref.	Part No.	Description	Qty.
1	330470	ASSY-BLOWER 6IN	1
	66099	ASSY-BLOWER	
2	33641	VALVE-BALL 3/4" SAE	1
3	65846	VALVE-SELECTOR PAINTED (3-WAY)	1
	65848	SEAL-O-RING	2
	33083	KNOB-SELECTOR VALVE	1
4	67500	WLDMT-VALVE MOUNT	1
5	66938	VALVE-VARIABLE RATE 2-BANK W/CHECK	1
6	65918	FTG-ADAPTER: 12MB-12MJ	4
7	66248	FTG-TEE: 12MB-12MJ-12MJ	1
8	37259	FTG-ADAPTER: 6MB-6MJ	3
9	62024	FTG-ADAPTER: 6MB-8MJ	1
10	63699	FTG-ELBOW: 12MB-12MJ-45	2
11	64060	FTG-ELBOW: 12MB-12MJ-90	3
12	59041	FTG-ELBOW: 12MJ-12FJX-90	3
13	1016999	NUT-TOPLOCK: .38 NC GR5 ZP	2
14	1013239	BOLT-HEX: .38 X 3.00 NC GR5 ZP	2
15	57754	FTG-ELBOW: 6MB-6MJ 90	2
16	67513	FTG-ELBOW: 4MB-6MJ 90	1
17	67670	HOSE: .50 X 312 8MB-8FJX	1
18	67671	HOSE: .75 X 310 12FJX-12MB	2
19	66245	HOSE: .75 X 024 12FJX-12FJX	3
20	67505	HOSE: .38 X 018 6FJX-6FJX	1
21	67506	HOSE: .38 X 080 6FJX-6FJX90	2
22	67507	HOSE: .38 X 150 6FJX-6FJX90	2
23	65898	HOSE: .50 X 240 12FJX-12FJX-90 (8" AND 10")	1
24	65897	HOSE: .50 X 240 12FJX-12FJX (8" AND 10")	1
25	50714	CLAMP .50 ZP	1
26	65813	BRACKET	3
27	37064	QUICK COUPLING-MALE 12-12 ORB	2
28	37065	QUICK COUPLING-MALE 8-10 ORB	1
29	57663	FTG-ELBOW: 8MJ-8FJX-45	1
30	57668	FTG-ELBOW: 8MJ-8FJX-90	1
31	66249	FTG-ADAPTER: 12MB-12FJX	1
32	65718	WLDMT-FAN MOUNT	1

+ CASE DRAIN COUPLERS AT TRACTOR

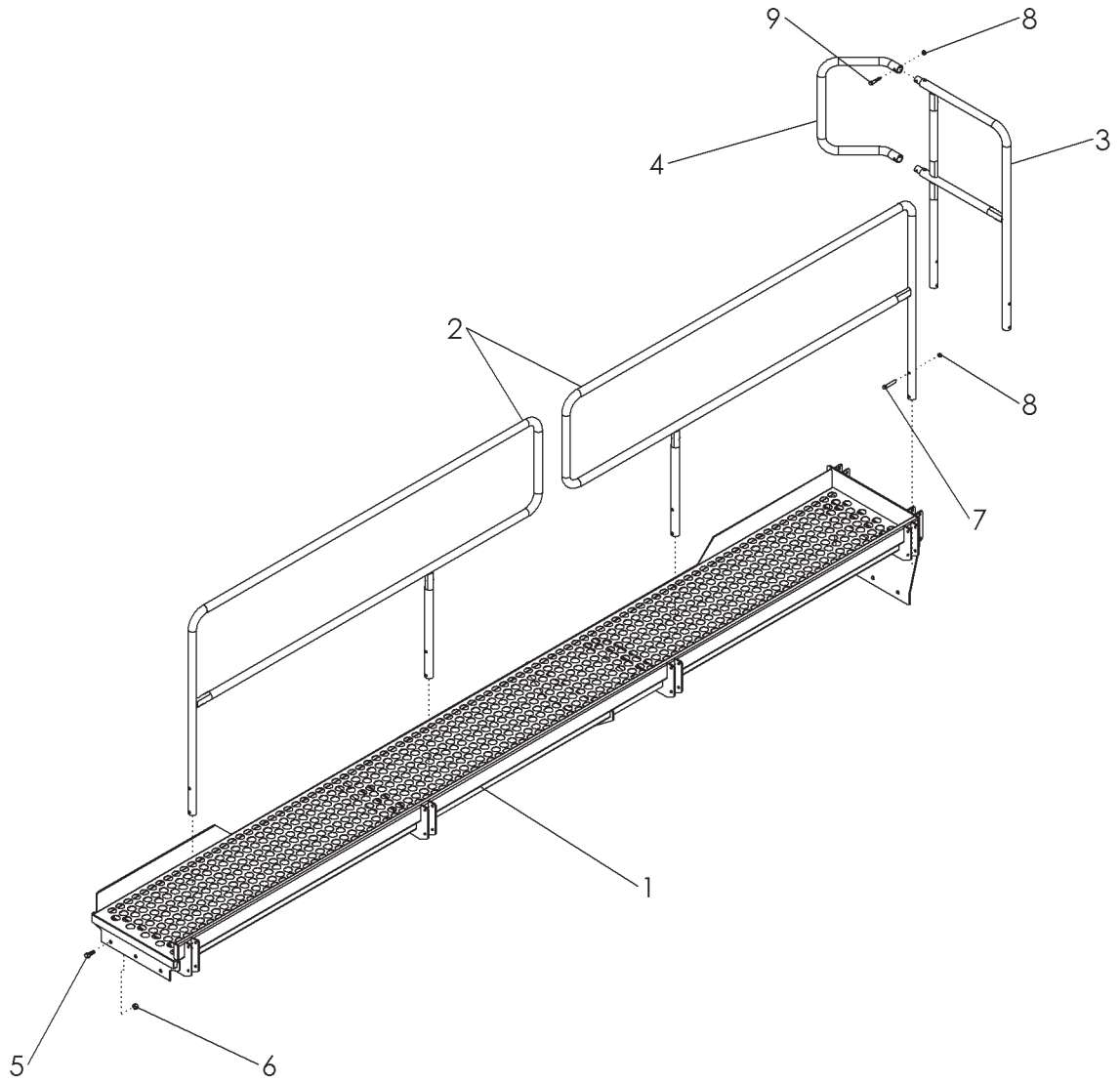
Ref.	Part No.	Description	Qty.
33	69119	FTG-CASE DRAIN JD & CNH (NOT SHOWN)	AR
34	69120	FTG-MOTOR RETURN LINE (NOT SHOWN)	AR
35	66199	PIONEER TIP 8010-15 (NOT SHOWN)	AR
36	66961	FTG-ADAPTER: 8FB-12MB (NOT SHOWN)	AR
37	37066	QUICK COUPLING-FEMALE -12-12 ORB (NOT SHOWN)	AR
38	37067	QUICK COUPLING-FEMALE -8-10 ORB (NOT SHOWN)	AR



M6015-B

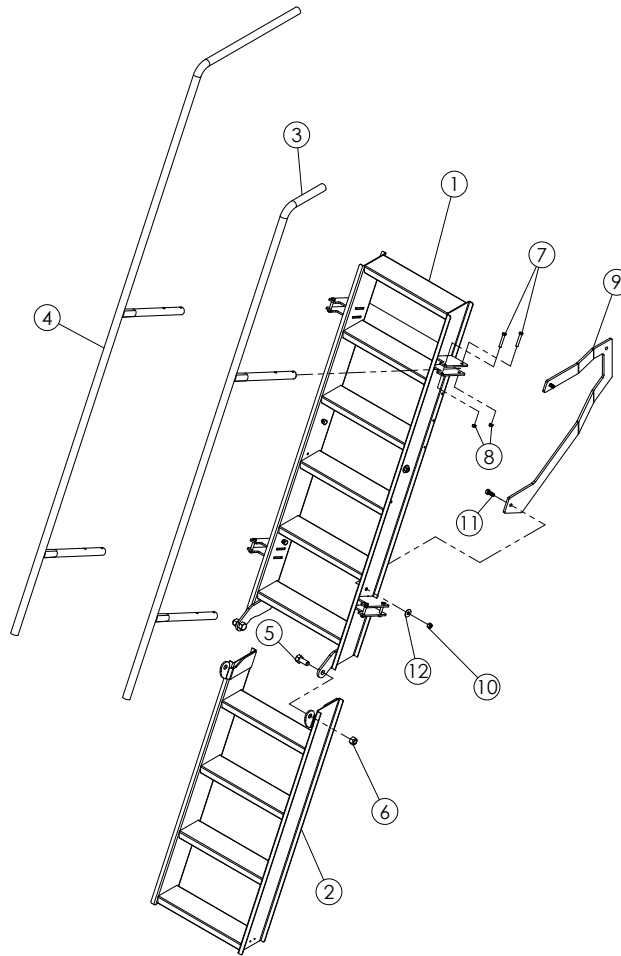
ASSY-HYDRAULIC DRIVE

Ref.	Part No.	Description	Qty.
1	34038	MOUNT-HYD MOTOR METER	1
2	67063	BOLT-HEX: SS .50 X 2.00 NC	2
3	67481	MOTOR-METER DRIVE 9.7 CID	1
	330600	SEAL KIT	
	67518	SENSOR METER SPEED (NOT SHOWN)	
4	67659	NUT-NYLOCK: .50 NC GR2 SS	2
5	65552	COUPLER	1
6	1013044	SCREW-SET: .25 X .25 NC GR8 NP	2
7	37042	FTG-ELBOW: 10MB-6MJ 90	1
8	66939	FTG-ADAPTER: 6MJ-10MB	1
9	65715	KEY .250 X .250 X 1.250 SS	1
10	37356	WASHER-FLAT: SS .50	2
11	67489	HARNES-METER SPEED (NOT SHOWN)	1



ASSY-CATWALK & HANDRAILS

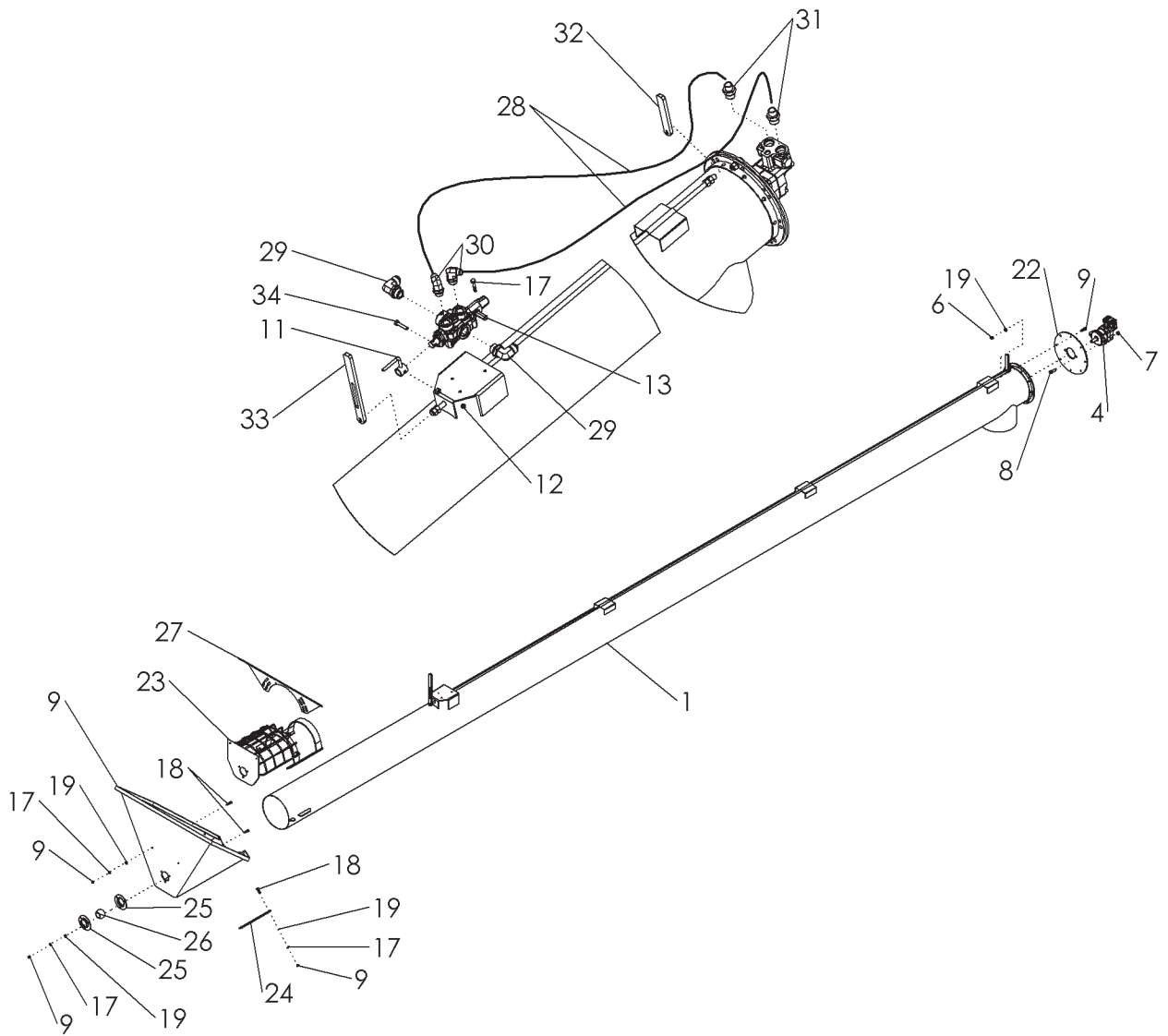
Ref.	Part No.	Description	Qty.
1	65589	WLDMT-CATWALK	1
2	65598	WLDMT-SIDE RAIL	2
3	65601	WLDMT-FRONT RAIL	1
4	65606	TUBE-FRONT RAILING	1
5	1011606	BOLT-HEX: .50 X 1.25 NC GR5 ZP	9
6	1027461	NUT-TOPLOCK: .50 NC GR5 ZP	9
7	59390	BOLT-HEX: .38 X 2.25 NC GR5 ZP	12
8	1016999	NUT-TOPLOCK: .38 NC GR5 ZP	14
9	1011603	BOLT-HEX: .38 X 1.75 NC GR5 ZP	2



M6018

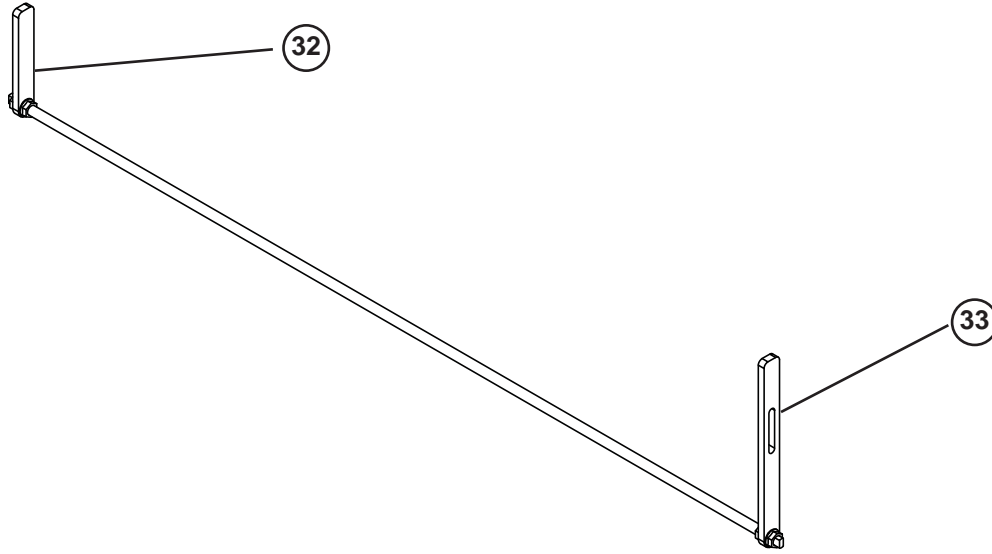
ASSY-LADDER AIR SYSTEM

Ref.	Part No.	Description	Qty.
1	65607	WLDMT-UPPER LADDER	1
2	65617	WLDMT-LOWER LADDER	1
3	65623	WLDMT-LADDER RAIL RH	1
4	66377	WLDMT-LADDER RAIL LH	1
5	62412	BOLT-HEX: .75 X 1.75 NC GR5 ZP	2
6	1017000	NUT-TOPLOCK: .75 NC GR5 ZP	2
7	59390	BOLT-HEX: .38 X 2.25 NC GR5 ZP	8
8	1016999	NUT-TOPLOCK: .38 NC GR5 ZP	8
9	67100	MOUNTING BRACKET RH	1
	67099	MOUNTING BRACKET LH (NOT SHOWN)	1
10	1027461	NUT-TOPLOCK: .50 NC GR5 ZP	4
11	1011606	BOLT-HEX: .50 X 1.25 NC GR5 ZP	4
12	1014443	WASHER-FLAT: .50 ZP	4



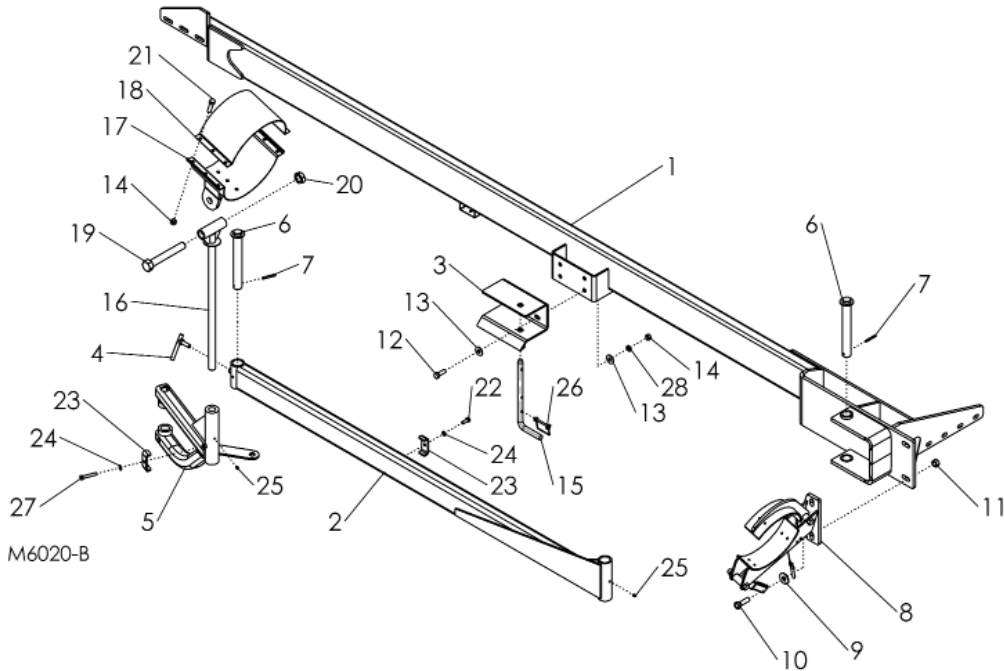
ASSY-AUGER & HYDRAULICS

Ref.	Part No.	Description	Qty.
1	66101	ASSY-AUGER 10"	1
1.1	66104	POLY FLIGHTING: 9.00" X 21'	1
1.2	66103	TUBE-AUGER: 10.00" X 21'	1
1.3	66260	POLY FLIGHTING: 9.00" X 6" LG - REPLACEMENT SECTION	REF
1.4	33582	FLIGHTING-STEEL: 9.00' X 21'	1
2	66102	HOSE-FLEX SPOUT 10"	1
3	66256	CLAMP-HOSE #188 (10")	1
4	1032092	MOTOR-HYDRAULIC PAINTED	1
	1023837	SEAL-KIT: CHARLYNN 61258	
5	66079	BOLT-HEX: SS .375 X 2.75 NC	1
6	1033268	NUT-NYLOCK: .38 NC GR2 SS	1
7	65313	NUT-NYLOCK: .50 NC GR2 ZP	2
8	1011607	BOLT-HEX: .50 X 1.50 NC GR5 ZP	2
9	1011600	BOLT-HEX: .38 X 1.00 NC GR5 ZP	8



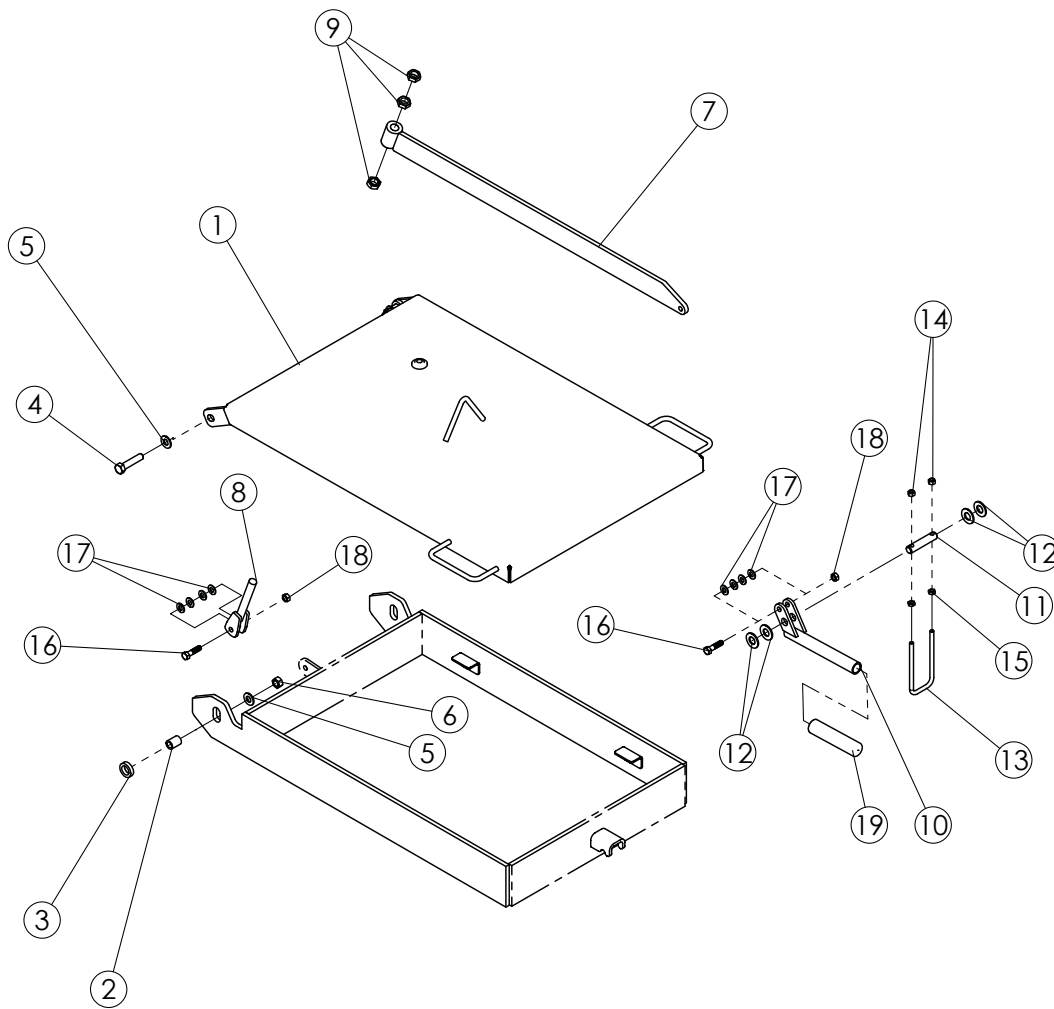
ASSY-AUGER & HYDRAULICS (8"/10") (continued)

Ref.	Part No.	Description	Qty.
10	1013338	NUT-NYLOCK: .38 NC GR2 ZP	19
11	66107	HANDLE-AUGER VALVE ZP	1
12	58747	NUT-HEX: .31 NF GR5 ZP	2
13	65845	VALVE-CONTROL 4 WAY PAINTED	1
14	1019550	BOLT-HEX: .25 X 1.50 NC GR5 ZP	3
15	1013242	WASHER-LOCK: .25 ZP	3
16	1011587	NUT-HEX: .25 NC GR2 ZP	3
17	1011586	WASHER-LOCK: .38 ZP	4
18	1011601	BOLT-HEX: .38 X 1.25 NC GR5 ZP	4
19	1011828	WASHER-FLAT: .38 ZP	4
20	65723	HOSE KIT: AIR SYSTEM - REFERENCE	1
21	66277	HOPPER-POLY: 10"	1
22	66257	PLATE-MOTOR MOUNT: 10"	1
23	66258	MOUNT-HOPPER: 10"	1
24	65913	PLATE-BACKING	2
25	65914	BEARING-FLANGE	2
26	33650	BEARING-WOOD: 1.50	1
27	66337	MESH-HOPPER: 10" (NOT SHOWN)	1
28	65896	HOSE-.50 X 156" 8FJX-8FJX-90	2
29	64060	FTG-ELBOW: 12MB-12MJ-90	2
30	65901	FTG-ELBOW: 10MB-8MJ-90	2
31	58195	FTG-ADAPT: 10MB-8MJ	2
32	66443	TOP HANDLE	1
33	66442	BOTTOM HANDLE	1
34	1014124	BOLT-HEX: .31 X 1.50 NC GR5 ZP	1
DECALS - REFERENCE PAGE 51			
34	65644	DECAL-DANGER	REF
35	65646	DECAL-WARNING	REF
36	65647	DECAL-DANGER	REF



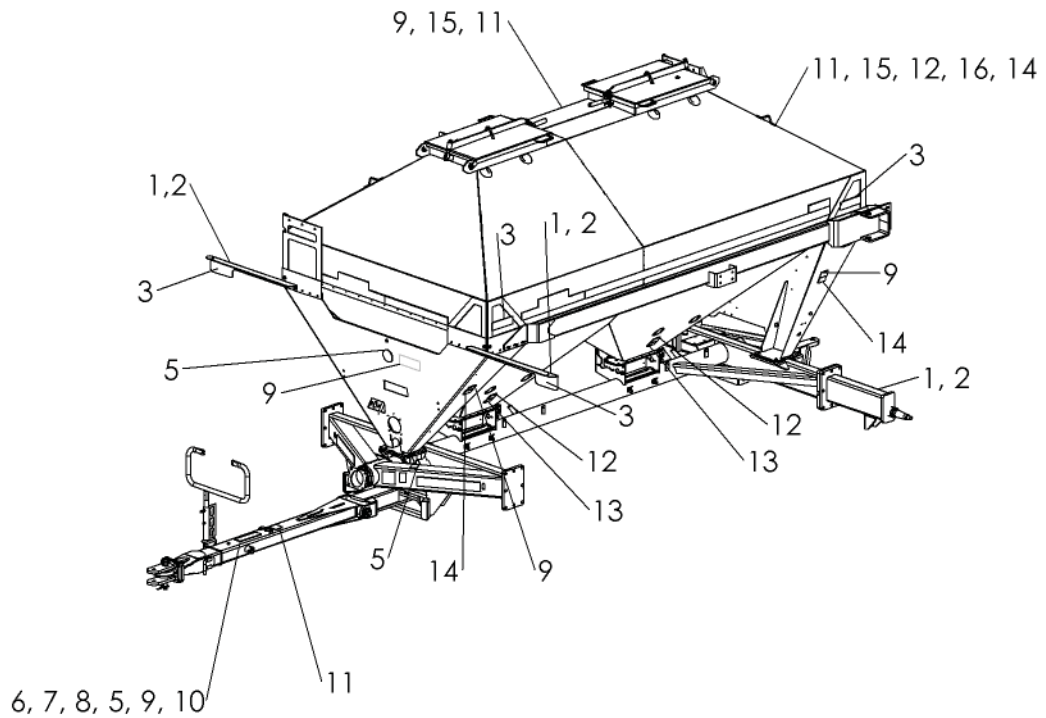
ASSY-AUGER MOUNTING COMPONENTS (8"/10")

Ref.	Part No.	Description	Qty.
1	65816	WLDMT-AUGER MOUNT	1
2	65462	WLDMT-LONG AUGER MOUNT PAINTED	1
3	65486	BRACKET-AUGER	1
4	65488	WLDMT-HANDLE ZP	1
5	331405	WLDMT-AUGER ARM SHORT	1
6	65479	WLDMT-PIN ZP	2
7	1011726	PIN-ROLL: .25 X 2.00 NP	2
8	66255	ASSY-CLAMP 10"	1
9	1013024	WASHER-FLAT: .63 ZP	4
10	1017526	BOLT-HEX: .63 X 2.25 NC GR5 ZP	4
11	1016595	NUT-HEX: .63 NC GR2 ZP	4
12	1011607	BOLT-HEX: .50 X 1.50 NC GR5 ZP	6
13	1014443	WASHER-FLAT: .50 ZP	6
14	1027461	NUT-TOPLOCK: .50 NC GR5 ZP	6
15	65487	PIN-LOCK ZP	1
16	65475	WLDMT-PIVOT TUBE ZP	1
16.1	64505	GRIP-HANDLE RED 1" ID X 5.06" L	1
17	66254	CLAMP-BOTTOM BRACKET 10"	1
18	66253	CLAMP-TOP BRACKET 10"	1
19	65721	BOLT-HEX: 1.00 X 7.00 NC GR5 ZP	1
20	1016969	NUT-TOPLOCK: 1.00 NC GR5 ZP	1
21	1011609	BOLT-HEX: .50 X 2.00 NC GR5 ZP	6
22	1016000	BOLT-HEX: .38 X 1.00 NC GR5 ZP	3
23	50714	CLAMP .50 ZP	4
24	1011586	WASHER-LOCK: .38 ZP	3
25	1011747	ZERK-GREASE: .25 UNF 90°	2
26	33065	PIN-SPRING .250 X 2.50	1
27	59390	BOLT-HEX: .38 X 2.25 NC GR5 ZP	1
28	1011581	WASHER-LOCK: .50 ZP	4
29	65248	AUGER CLAMP-LYNCH PIN AND CABLE (NOT SHOWN)	1



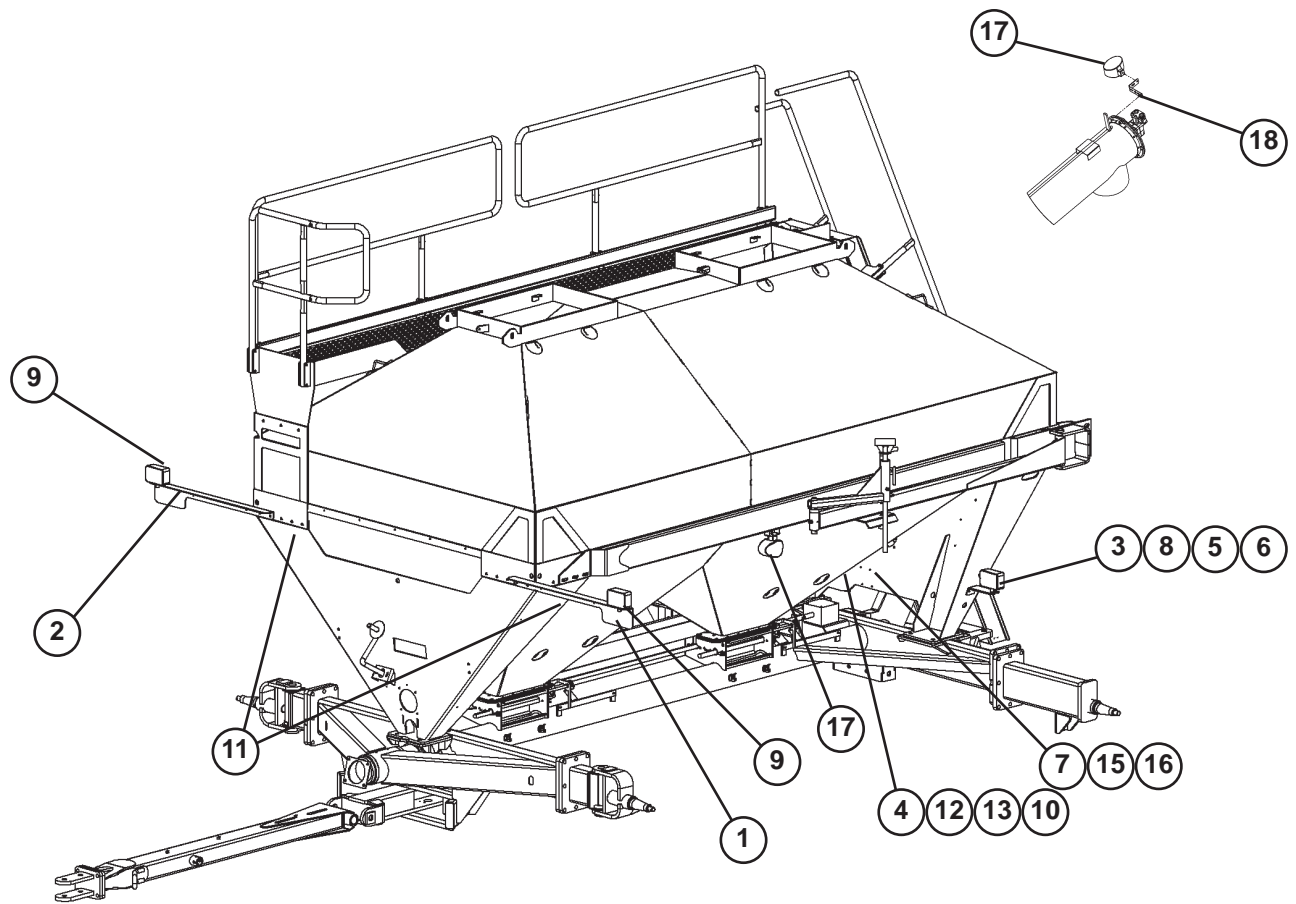
ASSY-DOORS

Ref.	Part No.	Description	Qty.
1	65558	WLDMT-TOP DOOR	1
2	65555	SPACER-DOOR HINGE	2
3	65554	SPACER-DOOR HINGE	2
4	1017708	BOLT-HEX: .50 X 2.25 NC GR5 ZP	2
5	1011584	WASHERPFLAT: SAE .50 ZP	4
6	1027461	NUT-TOPLOCK: .50 NC GR5 ZP	2
7	65559	WLDMT-CLAMP LEVER	1
8	65556	ROD-ADJUSTMENT ZP	1
9	1026259	NUT-JAM: .63 NC GR2 ZP	1
10	65557	WLDMT-CLAMP ADJ TUBE ZP	1
11	65560	PIIN-CLAMP LEVER	1
12	1013004	WASHER-FLAT: SAE .63 ZP	4
13	65656	U-BOLT: .313 X 5.00 X 2 X 5.00	1
14	1030700	NUT-TOPLOCK: .31 NC GR5 ZP	2
15	1020506	NUT-JAM: .31 NC GR2 ZP	4
16	1011602	BOLT-HEX: .38 X 1.50 NC GR5 ZP	2
17	1014608	WASHER-FLAT: SAE .38 ZP	8
18	1016999	NUT-TOPLOCK: .38 NC GR5 ZP	2
19	65902	GRIP-BLACK 1" ID X 5.06"L	1
20	64504	SEALANT-PROGLAZE (NOT SHOWN)	100
21	1026562	SCREEN BASKET	2



ASSY-DECALS 2800(3350)

Ref.	Part No.	Description	Qty.
1	997761	REFLECTOR, RED	4
2	997662	REFLECTOR ORANGE	4
3	997663	REFLECTOR YELLOW	6
4	9971009	SAFETY SIGN, SPEED SIGN, 30 km/h	1
5	997861	SAFETY SIGN, READ MANUAL	1
6	997857	SAFETY SIGN, FASTEN SAFETY CHAIN	1
7	997853	SAFETY SIGN, UNHITCHING HAZARD	1
8	997859	SAFETY SIGN, ENGINE OFF	1
9	997863	SAFETY SIGN, HIGH VOLTAGE	5
10	997867	SAFETY SIGN, FLUID UNDER PRESSURE	1
11	997840	SAFETY SIGN, CHEMICAL HAZARD	3
12	700732049	SAFETY SIGN, EXPLODING PARTS READ MANUAL	3
13	9971011	SAFETY SIGN, MOVING PART HAZARD	2
14	997841	SAFETY SIGN, CRUSHING HAZARD	3
15	9971015	SAFETY SIGN, FALL OFF HAZARD	2
16	700731523	SAFETY SIGN, HOT SURFACE, HAND,	1



ASSY-SAFETY LIGHT

Ref.	Part No.	Description	Qty.
1	65831	BRACKET-LIGHT LH	1
2	65832	BRACKET-LIGHT RH	1
3	66011	BRACKET-LIGHT	2
4	65833	BRACKET-CONNECTOR 7 PIN	1
5	1033271	BOLT-HEX: .38 X 1.00 NC GR5 SS	4
6	1033268	NUT-NYLOCK: .38 NC GR2 SS	4
7	65341	MODULE-INTERFACE	1
8	65333	LAMP-RED TAIL	2
9	65334	LAMP-AMBER FLASHING	2
10	65340	HARNESS-SAFETY LIGHT S279.11	1
11	65354	HARNESS-LIGHT EXTENSION	2
12	1011598	BOLT-HEX: .31 X 1.00 NC GR5 ZP	4
13	1018693	NUT-NYLOCK: .31 NC GR2 ZP	4
14	1013122	TIE-CABLE, NYLON 14.00"	20
15	65839	SCREW-PAN HEAD: #10-24 NC X .75 LG	4
16	65348	NUT-HEX: #10-24 NC	4
17	37498	LIGHT-FLOOD OVAL 38 WATT	2
18	37499	SHEET-WORK LIGHT BRACKET	1
19	330532	HARNESS-WORK LIGHT EXT 2800/3350	1

