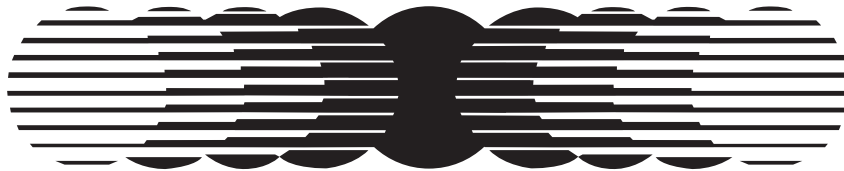


# OPERATING MANUAL

4804 SOIL SAMPLER

Amity  
TECHNOLOGY



2800 7<sup>TH</sup> Avenue North  
Fargo, ND 58102

Phone: (701) 232-4199  
Fax: (701) 234-1716  
[www.amitytech.com](http://www.amitytech.com)

## **AMITY TECHNOLOGY, LLC PRODUCT WARRANTY**

Amity Technology, LLC warrants to the original purchaser only, each new item of Amity agricultural equipment sold by it to be free of defects in workmanship materials for a period of twelve (12) months from the date the product is delivered to the Purchaser (Warranty Period).

The sole obligation of Amity is limited to the repair or replacement, whichever Amity chooses, of those parts which Amity, in its sole discretion, determines to have failed as a result of a defect in workmanship or material occurring during the Warranty Period. Such defective part will, at the option of Amity, either be repaired or replaced to the Purchaser through an authorized Amity dealer. The Purchaser must, within the Warranty Period, give written notice to an authorized Amity dealer and the dealer will have a reasonable time to repair or replace the defective part. Amity's dealer's claimed labor hours must be fair, reasonable and consistent with industry practice.

This Warranty does not cover damage to other parts of the product caused as a result of delay by the Purchaser to repair or replace defective parts. Amity will not be liable for direct or indirect costs other than those specified and this Warranty specifically excludes damage to crops, loss of use, transportation expense to a dealer, service calls, normal maintenance and upkeep costs, overtime labor costs, and any and all other injuries, claims or consequential damage or other economic loss. This Warranty does not cover damage caused to or by any equipment, accessories or parts attached to or used in connection with Amity equipment. This Warranty shall be void if alteration, modifications or additions are made to Amity products without written consent of Amity, or if in Amity's judgment, the failure was due to abuse or neglect in the operation or maintenance of the product. This Warranty shall only apply if Amity equipment is used for its recommended agricultural purpose. No dealer, salesman, or agent has any authority to alter or amend this Warranty.

**THIS WARRANTY IS IN LIEU OF ALL OTHER WARRANTIES, EXPRESSED OR IMPLIED, AND THERE IS NO WARRANTY OF MERCHANTABILITY OR FITNESS FOR A PARTICULAR PURPOSE.**

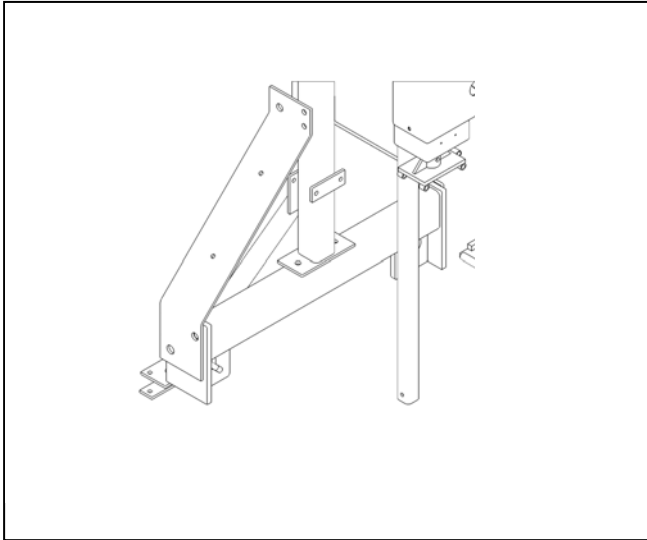
**WARRANTY VOID IF NOT REGISTERED**



# 4804 SERIES OPERATING INSTURCTIONS

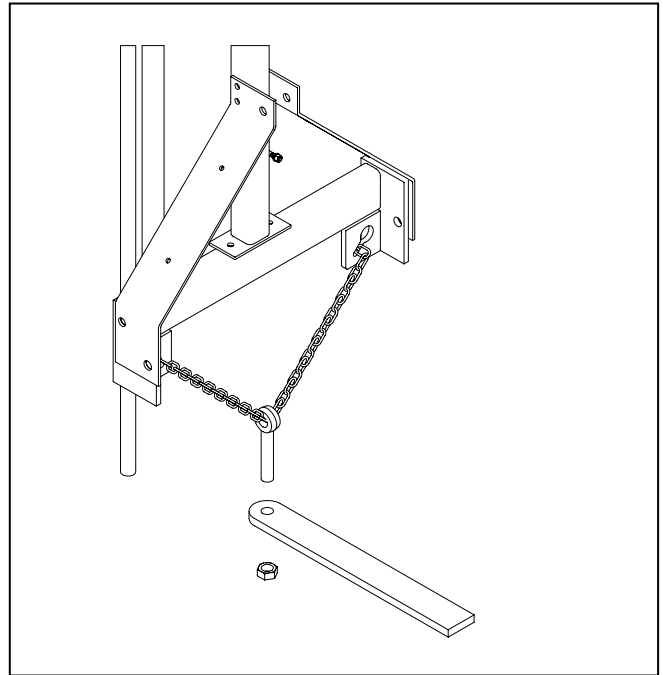
## Field Preparations

1. The swing-away probe may now be installed placing the 3/8" bolt on the right hand side and the swing away probe pin on the left side for quick removal.

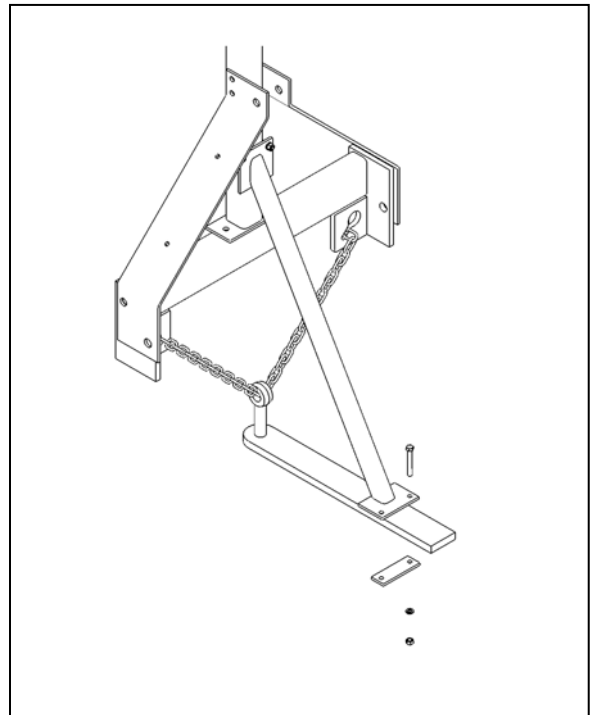


**Figure 1**

2. Adjust the third link on the 3-point hitch to ensure that the soil sampler is as close to vertical as possible.
3. Insure that your drawbar is extended to its maximum rearward position. Now install the tie down chain through the eye bolt provided insuring that the 3-point hitch is all the way to its upward maximum travel. It now becomes vitally important that the nut on the eye bolt is drawn down extremely tight. This will eliminate any upward movement of the soil sampler as you apply down pressure on the probe.
4. Install the drawbar supporting brace to the vertical tube with the bolts provided. Because very few drawbars are the same, it may be necessary for you to make a modification to the drawbar plates to fit your particular drawbar. This brace will not let the 3-point hitch lower when not in use.



**Figure 2**



**REMEMBER:** Soil sampling is like moldboard plowing, if it will not scour, you have three alternatives:

- Try a different tip as provided
- Use PAM lubricant on tip and probe
- Quit sampling and wait for soil conditions to improve

Functions a cutting tip must perform to be successful:

- Compress the soil
- Cut the core
- Allow the core to expand on the back side of the cutting tip immediately.

Amity makes various cutting tips available in an effort to match most soil conditions.

## **SWING AWAY SOIL PROBES**

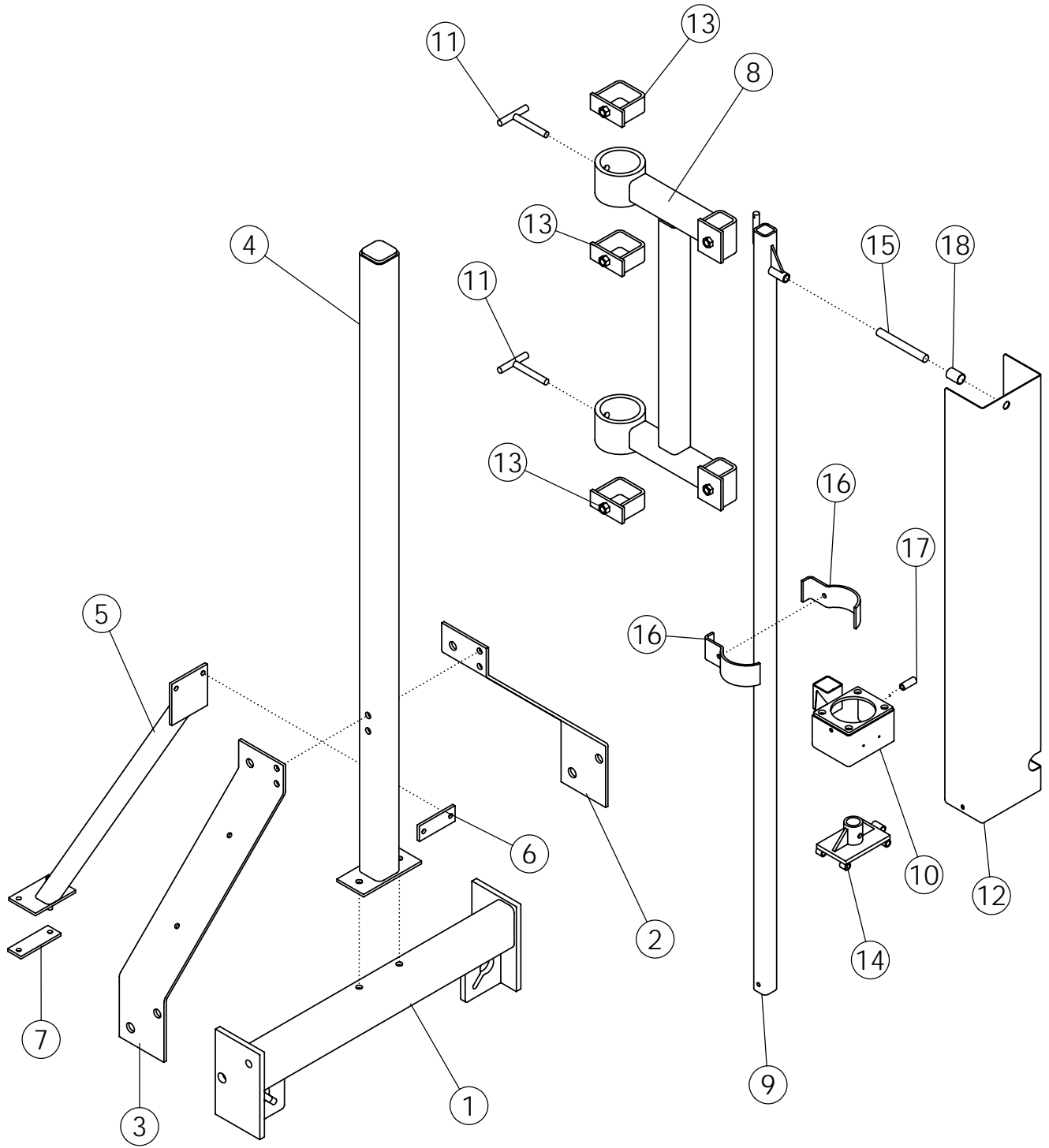
### **AMITY PROBE SIZE**

1" nominal (1" O.D. x .870" I.D.)

1 ¼" nominal (1 ¼" O.D. x 1.049" I.D.)

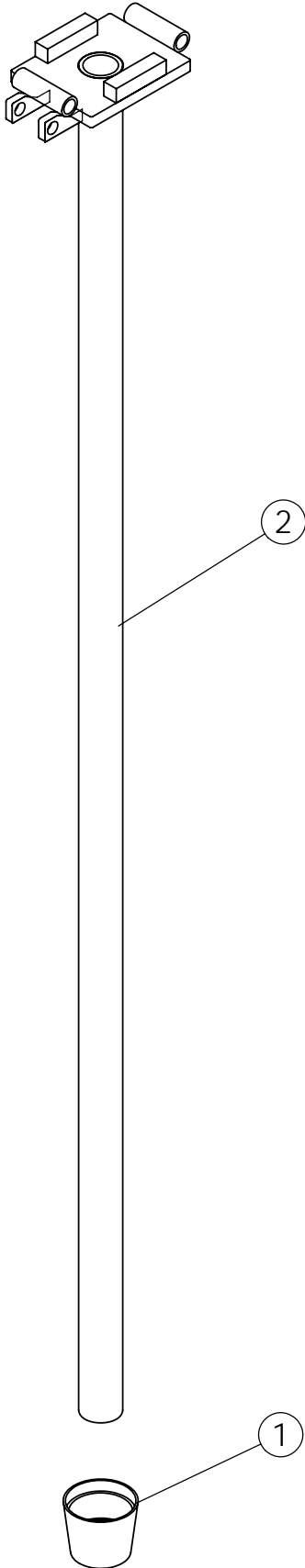
1 ½" nominal (1 5/8" O.D. x 1.495" I.D.)

2" nominal (2" O.D. x 1.870" I.D.)



# 4804 ASSEMBLY

ITEM	PART NO.	DESCRIPTION	QTY
1	1026286	WLDMT-3 PNT CROSS MEMBER	1
2	1022574	BAR-SIDE 3PT RH	1
3	1022573	BAR-SIDE 3PT LH	1
4	1026137	WLDMT-3 PNT UPRIGHT	1
5	1026143	WLDMT-3 PNT BRACE	1
6	1026152	PLATE-3 PNT UPPER CLAMP	1
7	1026148	PLATE-3 PNT LOWER CLAMP	1
8	1026140	WLDMT-ARM SIDE SWING J6	1
9	1021338	WLDMT-ANCHOR TUBE	1
10	1026362	WLDMT-ROD GUIDE 4804 J2	1
11	1026739	WLDMT-T HANDLE .500 J4	2
12	1021346	COVER	1
13	1026147	WLDMT-LOCKING COLLAR	3
14	1023604	WLDMT-HINGE PLATE ZP	1
15	1023629	ROD-REDI	1
16	1026319	CLAMP-4804 CYLINDER	2
17	1021348	SPACER	1
18	1021195	SPACER-TUBE	1





# PROBE AND TIPS

ITEM	PART NO.	DESCRIPTION	QTY
1	1027176	1-1/4" #1 TIP	1
	1026757	1-1/4" #2 TIP	
	1026879	1 1/2" - #1 TIP (HD)	
	1024500	1 1/2" - #5 TIP (HD)	
	1024495	2" - #1 TIP	
	1024496	2" - #5 TIP	
	1027178	2" - #1 TIP (HD)	
	1027179	2" - #5 TIP (HD)	
	1027181	2" - #7 TIP (HD)	
	2	1023618	
1023715		1-1/4" X 48" PROBE	
1024502		1-1/2" X 48" PROBE	
1024498		2" X 48" PROBE	
1027579		2" X 72" PROBE	