

# PARTS MANUAL

2022  
CAMSO 100TTS

**Amity**  
TECHNOLOGY



2800 7<sup>th</sup> Avenue North  
Fargo, ND 58102

Phone: (701) 232-4199  
Fax: (701) 234-1716  
[www.amitytech.com](http://www.amitytech.com)

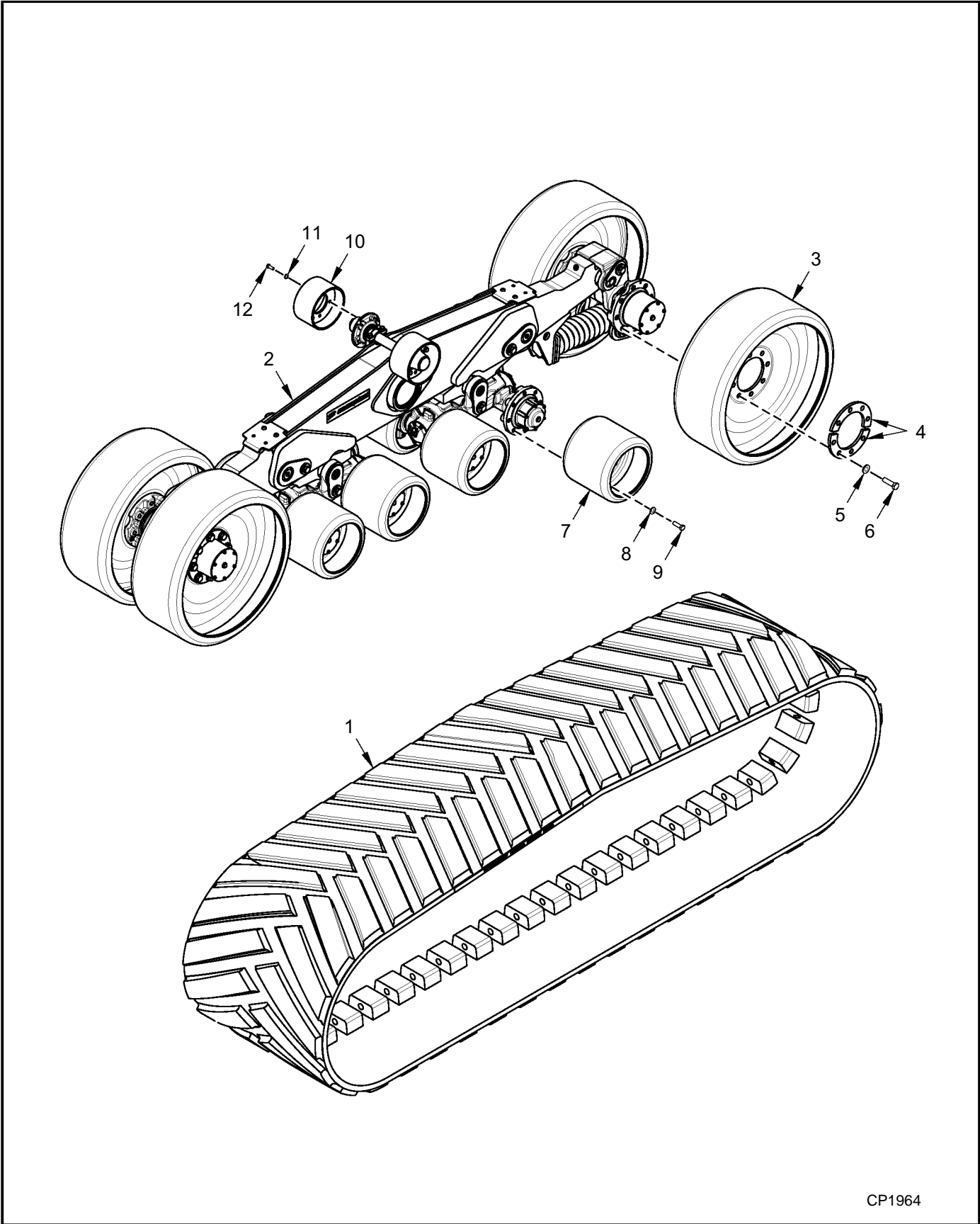


## TABLE OF CONTENTS

TRACK AND UNDERCARRAIGE	2.1 - 2.2
UNDERCARRAIGE ASSEMBLY	2.3 - 2.4
FRAME ASSEMBLY	2.5 - 2.6
TENSION LINK ASSEMBLY	2.7 - 2.8
TENSIONER ASSEMBLY	2.9 - 2.10
ALIGNMENT ASSEMBLY	2.11 - 2.12
BOGIE ASSEMBLY - MID-ROLLER	2.13 - 2.14
CARRIER ASSEMBLY	2.15 - 2.16
HUB-IDLER	2.17 - 2.18
HUB-MID-ROLLER	2.19 - 2.20

INTENTIONALLY LEFT BLANK

Track & Undercarriage



CP1964

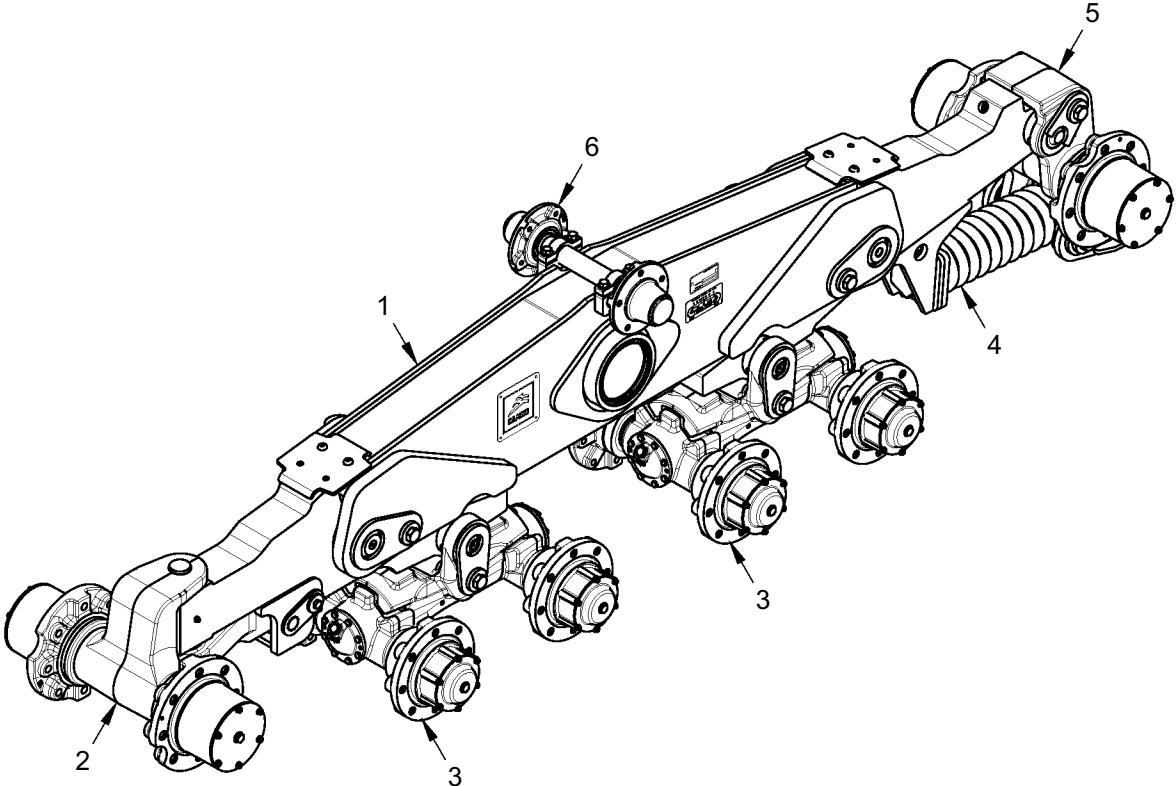
**TRAILED TRACK SYSTEM 80 & 100 SERIES**  
**(302" TRACK) (INCLUDES 80-3013, 80-3014, 100-3014, 100-3015, 100-3613, 100-3614)**

**Track & Undercarriage**

(2A-2534 & 2A-2537)

Ref.	FN	Part Number	TTS Series	Qty.	Description
1		G30BP03584	80-3013	1	TRACK, Rubber, 302" x 30"
			80-3014	1	TRACK, Rubber, 302" x 30"
			100-3014	1	TRACK, Rubber, 302" x 30"
			100-3015	1	TRACK, Rubber, 302" x 30"
		G36BP03586	100-3613	1	TRACK, Rubber, 302" x 36"
			100-3614	1	TRACK, Rubber, 302" x 36"
2		REF		1	UNDERCARRIAGE ASSY., See page 2-4
3		5W-0281-101SP	80-3013	4	WHEEL, Idler, TTS Gray, (30" Track)
			80-3014	4	WHEEL, Idler, TTS Gray, (30" Track)
			100-3014	4	WHEEL, Idler, TTS Gray, (30" Track)
			100-3015	4	WHEEL, Idler, TTS Gray, (30" Track)
		5W-0287-101SP	100-3613	4	WHEEL, Idler, TTS Gray, (36" Track)
		5W-0287-102SP	100-3614	4	WHEEL, Idler, ROPA Yellow, (36" Track)
		5W-0287-103SP		4	WHEEL, Idler, Semi-gloss Black, (36" Track)
4		2C-2030-100		8	RING, Back-up
5		224091351		4	WASHER
6		2F-0158		32	BOLT, Hex, M20 x 70 CI 10.9
7		4W-0327-101SP	80-3013	8	WHEEL, Mid-roller, TTS Gray, (30" Track)
			80-3014	8	WHEEL, Mid-roller, TTS Gray, (30" Track)
			100-3014	8	WHEEL, Mid-roller, TTS Gray, (30" Track)
			100-3015	8	WHEEL, Mid-roller, TTS Gray, (30" Track)
		4W-0321-101SP	100-3613	8	WHEEL, Mid-roller, TTS Gray, (36" Track)
		4W-0321-102SP	100-3614	8	WHEEL, Mid-roller, ROPA Yellow, (36" Track)
		4W-0321-103SP		8	WHEEL, Mid-roller, Semi-gloss Black, (36" Track)
8		2F-0065		64	WASHER, Flat, M16
9		2F-0087		64	BOLT, Hex, M16 x 50 CI 10.9
10		2S-0375-001SP		2	ROLLER, Carrier
11		2F-0265		10	WASHER, M12
12		2F-0005		10	BOLT, Hex, M12 x 30 CI 10.9

Undercarriage Assembly



CP1966

**TRAILED TRACK SYSTEM 80 & 100 SERIES**  
(302" TRACK) (INCLUDES 80-3013, 80-3014, 100-3014, 100-3015, 100-3613, 100-3614)

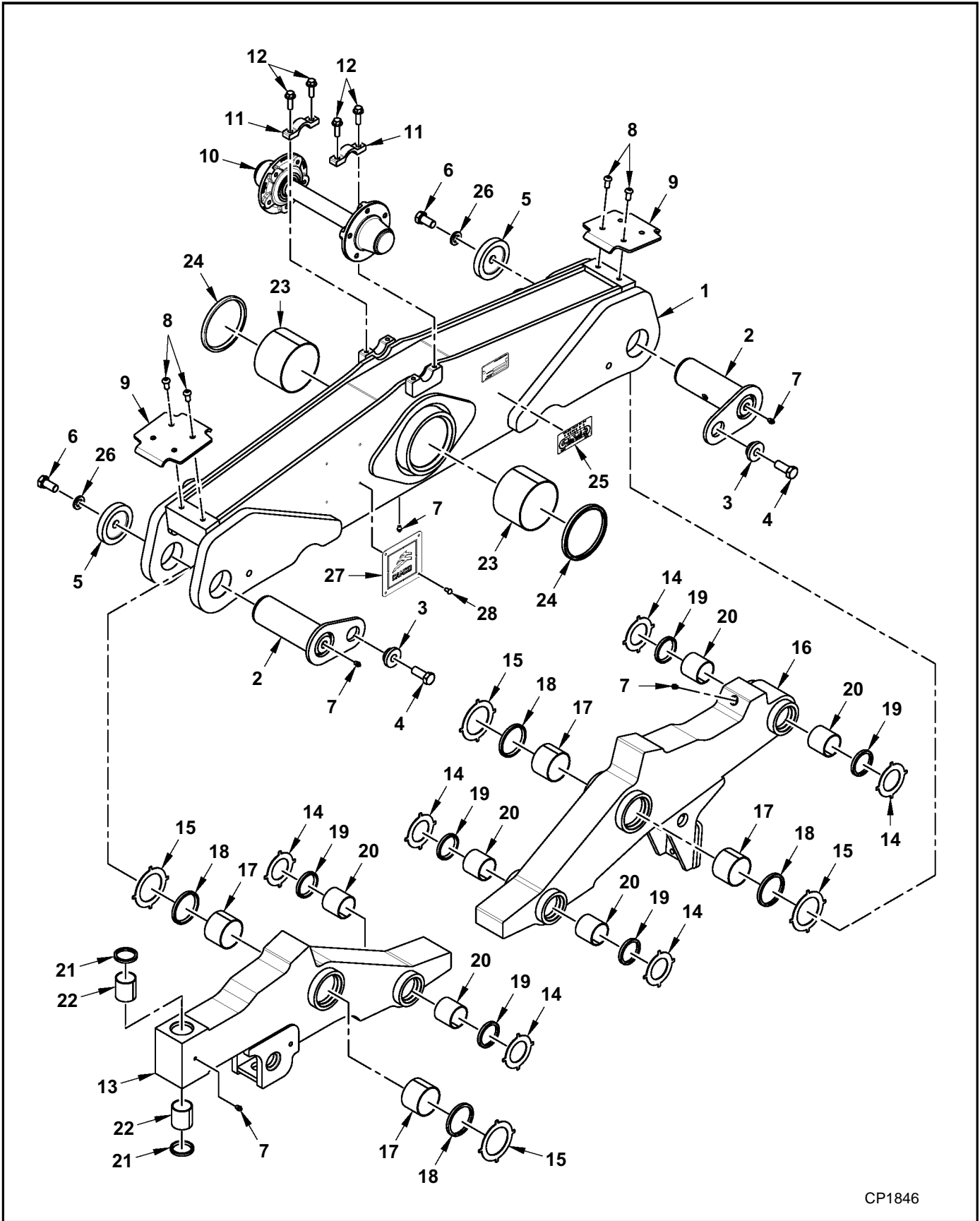
**Undercarriage Assembly**

(2A-2533)

Ref.	FN	Part Number	TTS Series	Qty.	Description
1		REF		1	FRAME ASSY., See page 2-6
2		REF		1	ALIGNMENT ASSY., See page 2-12
3		REF		2	BOGIE ASSY., Mid-roller, See page 2-14
4		REF		1	TENSIONER ASSY., See page 2-10
5		REF		1	TENSION LINK ASSY., See page 2-8
6		REF		1	CARRIER ASSY., See page 2-16



# Frame Assembly



CP1846

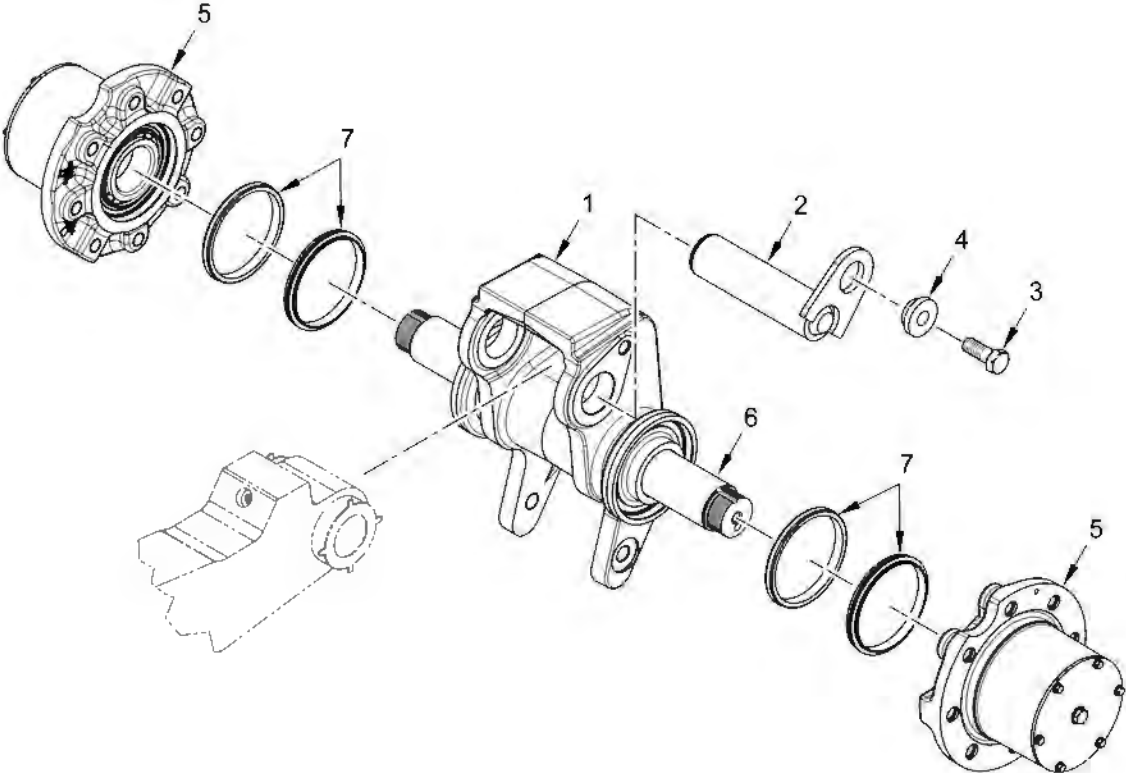
**TRAILED TRACK SYSTEM 80 & 100 SERIES**  
**(302" TRACK) (INCLUDES 80-3013, 80-3014, 100-3014, 100-3015, 100-3613, 100-3614)**

**Frame Assembly**

(2A-2533)

Ref.	FN	Part Number	TTS Series	Qty.	Description
1		2A-2533-100	80-3013	1	FRAME, Main, Includes items 7, 23 & 24
			100-3014	1	FRAME, Main, Includes items 7, 23 & 24
			100-3015	1	FRAME, Main, Includes items 7, 23 & 24
			100-3613	1	FRAME, Main, Includes items 7, 23 & 24
			100-3614	1	FRAME, Main, Includes items 7, 23 & 24
2		2S-0350-000		2	PIN, Mounting
3		2C-2024-100		2	SPACER, Flanged, M20
4		2F-0323		2	BOLT, Hex, M20 x 40 CI 10.9
5		2C-2025-100		2	CAP, End
6		2F-0143		2	BOLT, Hex, M20 x 40 CI 10.9
7		2H-0060		5	FITTING, Grease, 1/8"-27 PTF Short
8		2F-0307		4	BOLT, Socket Hd, M12 x 25 CI 10.9
9		2C-2157-101SP		2	DEFLECTOR
10		2A-0931-101SP		1	CARRIER, Roller, See page 2-16
11		2C-2138-100		2	RETAINER, Axle Block
12		2F-0269		4	BOLT, Hex Fig., M12 x 40 CI 10.9
13		2A-0954-100SP		1	ARM, Alignment, Includes 7, 17 - 22
14		2C-4163-100		6	WASHER, Thrust, 60 mm
15		2C-2033-100		4	WASHER, Thrust, 80 mm
16		2A-0952-100SP		1	ARM, Tandem, Includes items 7, 17 - 20
17		2B-0116		4	BUSHING, M80 x 85 x 60 Long
18		2J-0118		4	SEAL, Scraper, 80 x 94 x 8 mm Thick
19		2J-0117		6	SEAL, Scraper, 60 x 74 x 8 mm Thick
20		2B-0117		6	BUSHING, 60 x 65 x 60 mm Long
21		2J-0116		2	SEAL, Scraper, 50 x 62 x 7 mm Thick
22		2B-0118		2	BUSHING, 50 x 55 x 60 mm Long
23		2B-0115		2	BUSHING, 140 x 145 x 100 mm Long
24		2J-0119		2	SEAL, Scraper, 140 x 160 x 10 mm Thick
25		2M-0161-100		1	DECAL, TTS Greasing
26		224090131		2	WASHER, Flat, ISO 7091 300HV, zn
27		2M-0179-100		1	PLATE, Branding, Camso
28		2F-0096		1	SCREW, Drive, SCR Type-U, SS

Tension Link Assembly



CP0947

**TRAILED TRACK SYSTEM 80 & 100 SERIES**  
**(302" TRACK) (INCLUDES 80-3013, 80-3014, 100-3014, 100-3015, 100-3613, 100-3614)**

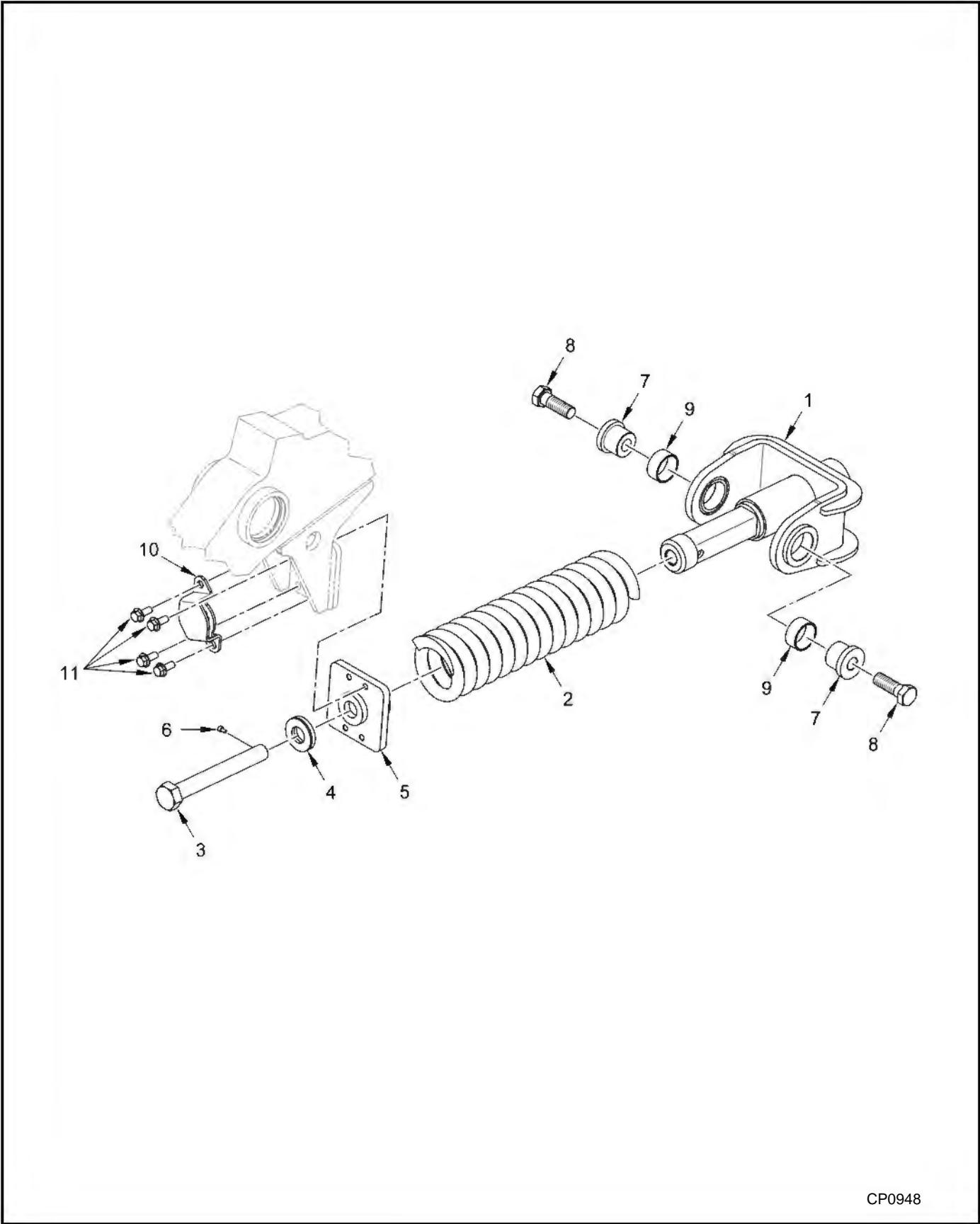
**Tension Link Assembly**

(2A-0924 & 2A-2533)

Ref.	FN	Part Number	TTS Series	Qty.	Description
		2A-0924-101SP		1	LINK ASSY., Tension, Includes items 1, 5, 6 & 7
1		2A-0925-101		1	LINK, Tension
2		2S-0424-000		1	PIN, Tensioner
3		2F-0323		1	BOLT, Hex, M20 x 50 CI 10.9
4		2C-2024-100		1	SPACER, Flg., M20
5		NSS		1	HUB, Idler, See page 2-18
6		NSS		1	AXLE, Idler
7	1	2J-0026		2	SEAL, Mechanical Face, 127 mm ID

1 - For Special Tooling use p/n 2P-0019-100 Seal Installation Tool available from Camso.

Tensioner Assembly



CP0948

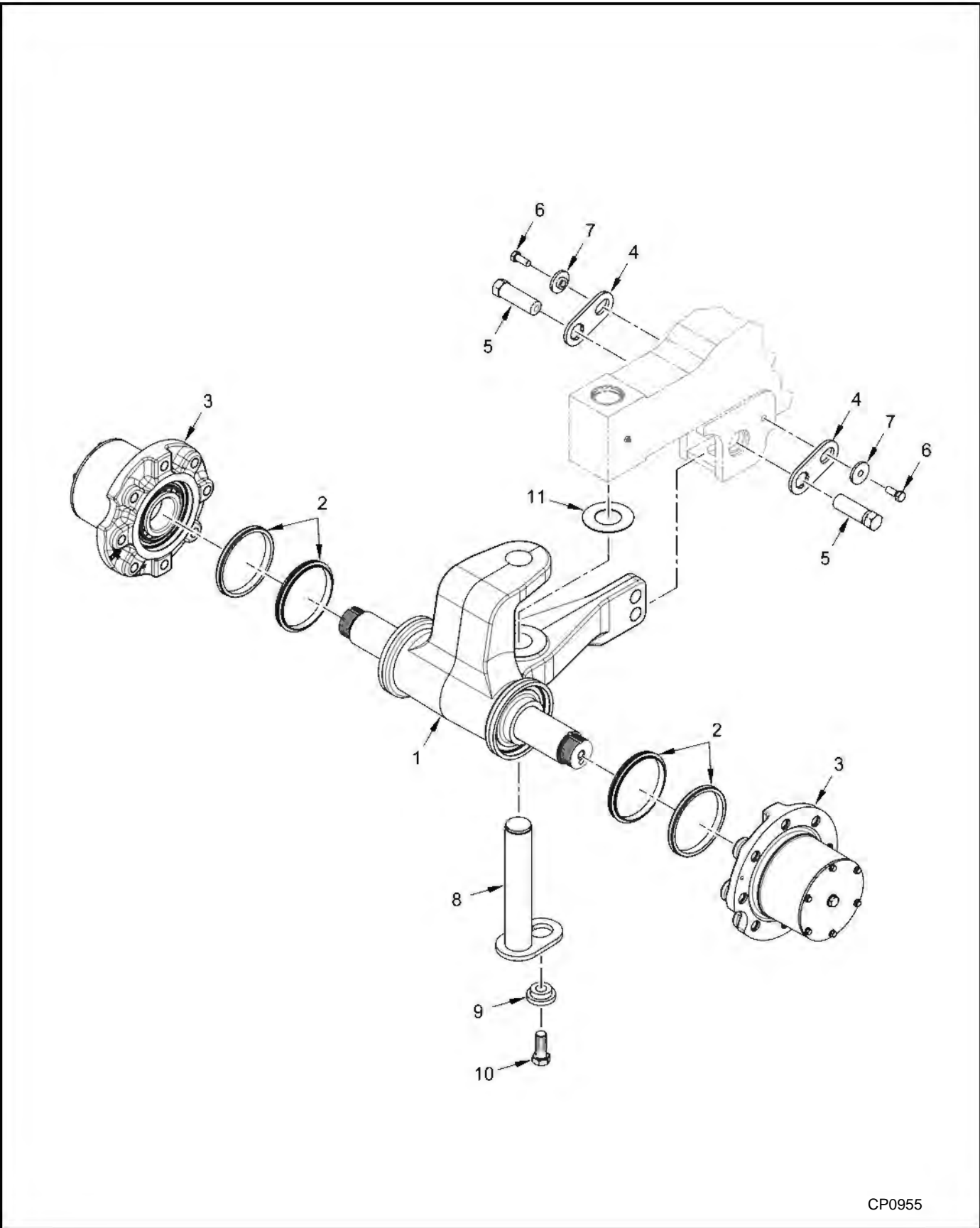
**TRAILED TRACK SYSTEM 80 & 100 SERIES**  
**(302" TRACK) (INCLUDES 80-3013, 80-3014, 100-3014, 100-3015, 100-3613, 100-3614)**

**Tensioner Assembly**

(2A-1001 & 2A-2533)

Ref.	FN	Part Number	TTS Series	Qty.	Description
		2A-1001-100SP		1	TENSIONER ASSY., Track, Includes items 1 - 6, 9
1		2A-0994-100SP		1	SEAT, Spring, Includes items 9
2		2M-0145-001SP		1	SPRING
3		2C-2255-100		1	SCREW, Compression, M30 x 3.5 x 240
4		2F-0322		1	WASHER, Flat, 1.25"
5		2S-0429-101SP		1	SUPPORT, Head
6		2F-0324		1	SCREW, Set, Hex Socket, M6 x 10 CI 12.9
7		2C-2262-100		2	SPACER
8		2F-0181		2	BOLT, Hex, M24 x 70 CI 10.9
9		2B-0133		2	BUSHING, Oil-Tite
10		2S-0432-001SP		1	CAP, Locking
11		2F-0001		4	BOLT, Hex Flg., M12 x 30 CI 10.9

Alignment Assembly



CP0955

**TRAILED TRACK SYSTEM 80 & 100 SERIES**  
**(302" TRACK) (INCLUDES 80-3013, 80-3014, 100-3014, 100-3015, 100-3613, 100-3614)**

**Alignment Assembly**

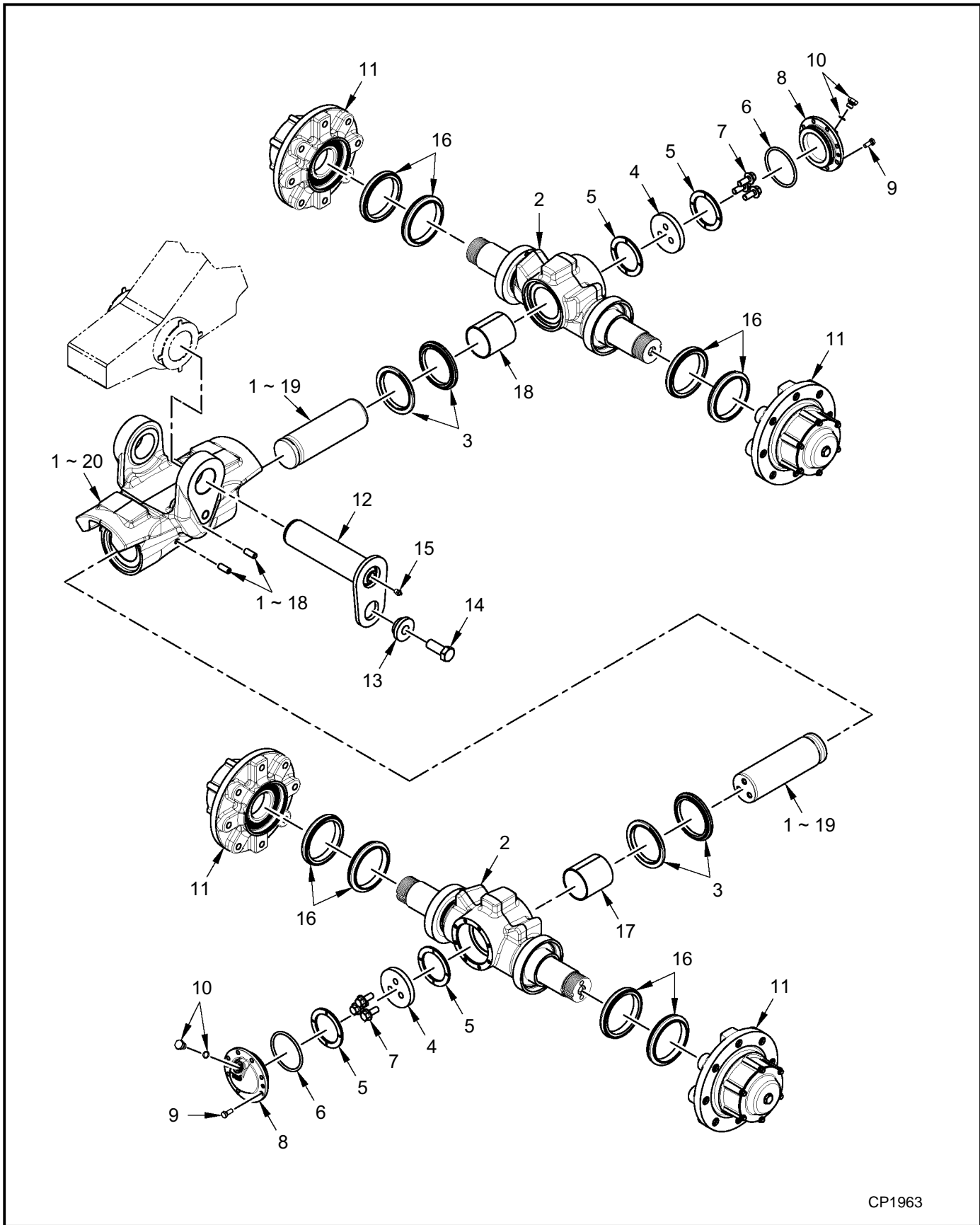
(2A-0922 & 2A-2533)

Ref.	FN	Part Number	TTS Series	Qty.	Description
		2A-0922-101SP		1	ALIGNMENT ASSY., Lever, Includes items 1 & 3
1		2A-0923-101		1	LEVER, Alignment
2	1	2J-0026		2	SEAL, Mechanical Face, 127 mm ID
3		NSS		2	HUB, Idler, See page 2-18
4		2C-0387		2	PLATE, Lock
5		2F-0531		2	SCREW, Set, Special, 1-1/8" x 85 mm
6		2F-0005		2	BOLT, Hex, M12 x 30 CI 10.9
7		2C-0008		2	SPACER, Flanged
8		2S-0352-000		1	PIN, Mounting
9		2C-2024-100		1	SPACER, Flg., M20
10		2F-0323		1	BOLT, Hex, M20 x 50 CI 10.9
11		2C-2023-100		1	WASHER, Thrust, 50 mm

1 - For Special Tooling use p/n 2P-0019-100 Seal Installation Tool available from Camso.



# Bogie Assembly - Mid-roller



CP1963

**TRAILED TRACK SYSTEM 80 & 100 SERIES**  
**(302" TRACK) (INCLUDES 80-3013, 80-3014, 100-3014, 100-3015, 100-3613, 100-3614)**

**Bogie Assembly - Mid-roller**

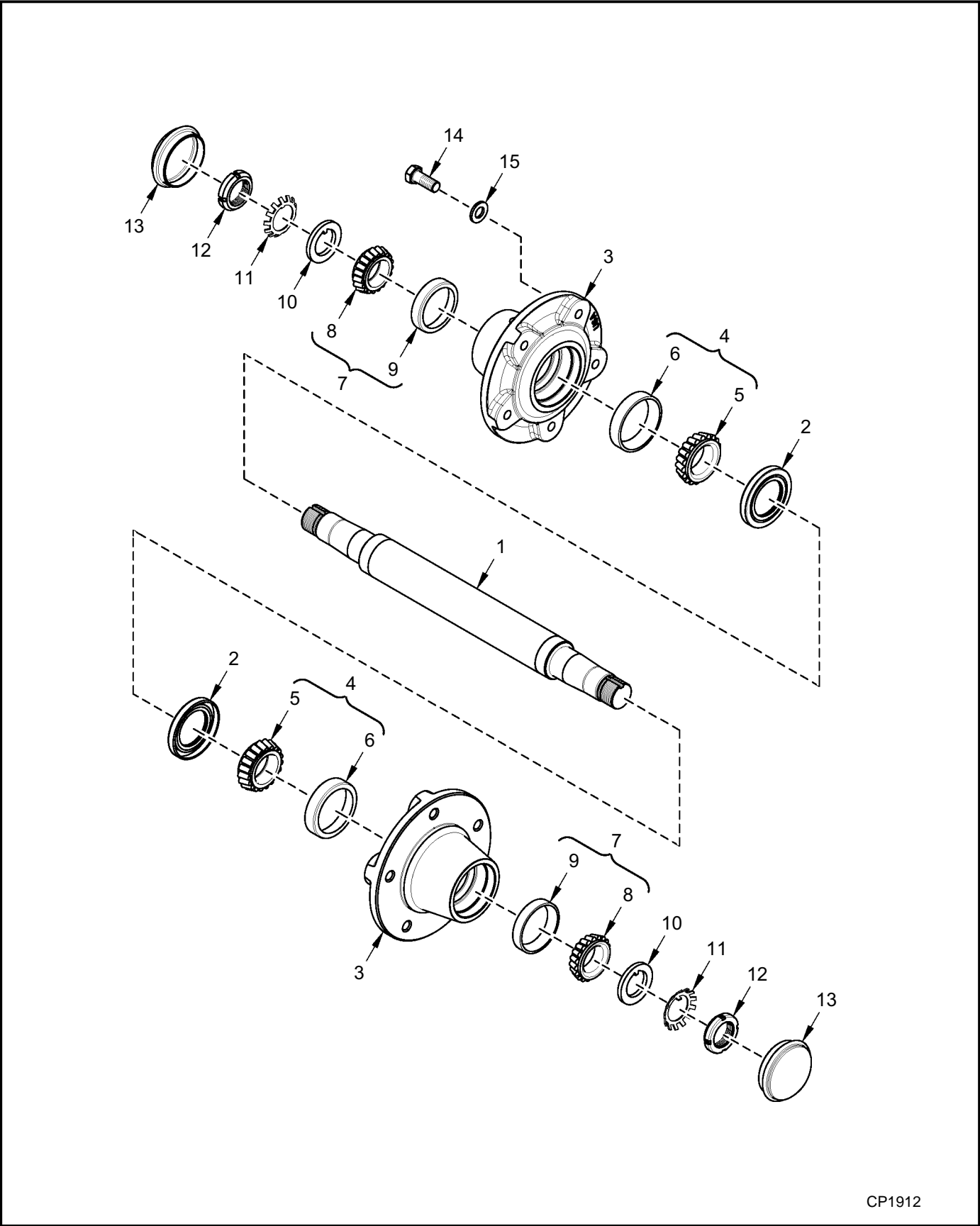
(2A-2530 & 2A-2533)

Ref.	FN	Part Number	TTS Series	Qty.	Description
		2A-2530-101SP		1	BOGIE ASSY., Mid-roller, Includes items 1 - 11, 15, 16 & 18, 19
	2	2A-2529-101		2	HUB and AXLE ASSY., Mid-roller, Includes items 2, 11, 16 & 17
1		2A-0919-101		1	DOGHOUSE ASSY., Mid-roller, Includes items 18 - 20
2		2A-0921-101		2	AXLE, Mid-roller
3		2J-0090		2	SEAL, Mechanical Face, 88 mm Sq.
4		2C-1335		2	PLATE, End
5		2C-1334		4	RING, Thrust, 70.3 mm ID
6		2J-0141		2	O-RING
7		2F-0001		6	BOLT, Hex Flg., M12 x 30 CI 10.9
8		2C-1327		2	COVER, End
9		222082066		16	BOLT, Hex, M8 x 20 CI 10.9
10		108609500		2	PLUG, End Cover
11		2C-4798-101SP		4	HUB, Mid-roller, See page 2-20
12		2S-0351-000		1	PIN, Mounting
13		2C-2024-100		1	SPACER, Flg., M20
14		2F-0323		1	BOLT, Hex, M20 x 50 CI 10.9
15		2H-0060		1	FITTING, Grease, 1/8"-27 PTF Short
16	1	2J-0213		4	SEAL, Mechanical Face
17		2B-0119		2	BUSHING, PT, 70 x 75 x 80 mm Long
18		NSS		2	SCREW, Hex Socket, M12 x 30
19		NSS		2	PIN, Connection
20		NSS		1	DOGHOUSE, Mid-roller

1 - For Special Tooling use p/n 2P-0020-100 Seal Installation Tool available from Camso.

2 - Includes 1/2 qty. of items 2, 11, 16, & 17.

Carrier Assembly



CP1912

**TRAILED TRACK SYSTEM 80 & 100 SERIES**  
**(302" TRACK) (INCLUDES 80-3013, 80-3014, 100-3014, 100-3015, 100-3613, 100-3614)**

**Carrier Assembly**

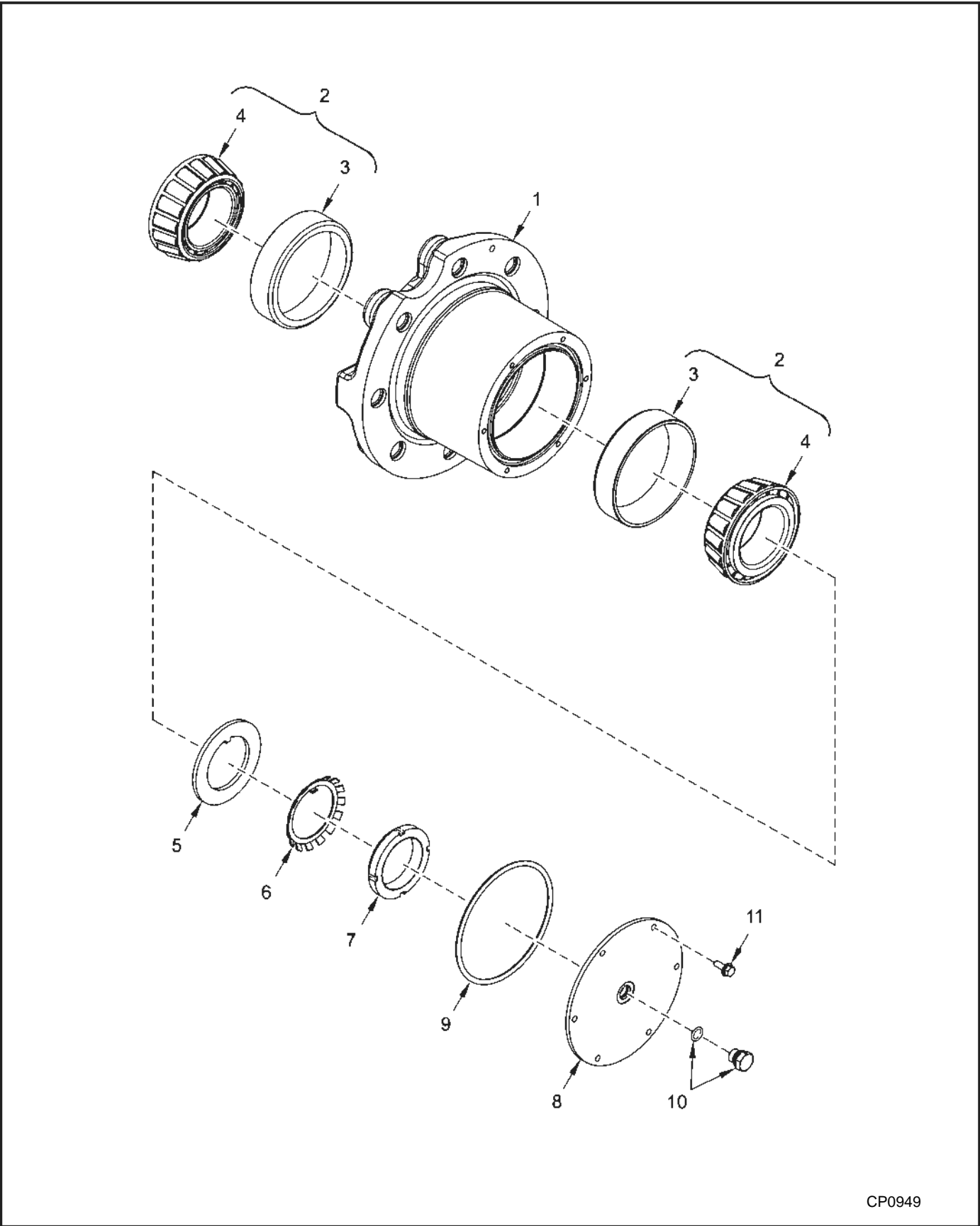
(2A-0931)

Ref.	FN	Part Number	TTS Series	Qty.	Description
		2A-0931-101SP		1	CARRIER ASSY., Roller, Includes items 1 - 13
1		2C-2046-101		1	AXLE, Carrier Roller
2		2J-0120		2	SEAL, Grease
3		2A-0932-101		2	HUB, Roller Carrier, Includes 6 & 9
4		2A-1064-100		2	BEARING SERVICE SET., Inner, Includes items 5 & 6
5		NSS		2	BEARING, Roller, Cone
6		NSS		2	BEARING, Roller, Cup
7		2A-1065-100		2	BEARING SERVICE SET., Outer, Includes items 8 & 9
8		NSS		2	BEARING, Roller, Cone
9		NSS		2	BEARING, Roller, Cup
10		2C-2080-100		2	WASHER, Tongue, #06
11	2	2F-0247		2	WASHER, Lock
12	1	2F-0246		2	NUT, Lock
13		2M-0024		2	CAP, Hub

1 - For Special Tooling use p/n 2P-0022-100 Bearing Locknut Tool available from Camso.

2 - For Special Tooling use p/n 2P-0180-100 Lock Washer Tab Bender available from Camso.

Hub - Idler



CP0949

**TRAILED TRACK SYSTEM 80 & 100 SERIES**  
**(302" TRACK) (INCLUDES 80-3013, 80-3014, 100-3014, 100-3015, 100-3613, 100-3614)**

**Hub - Idler**

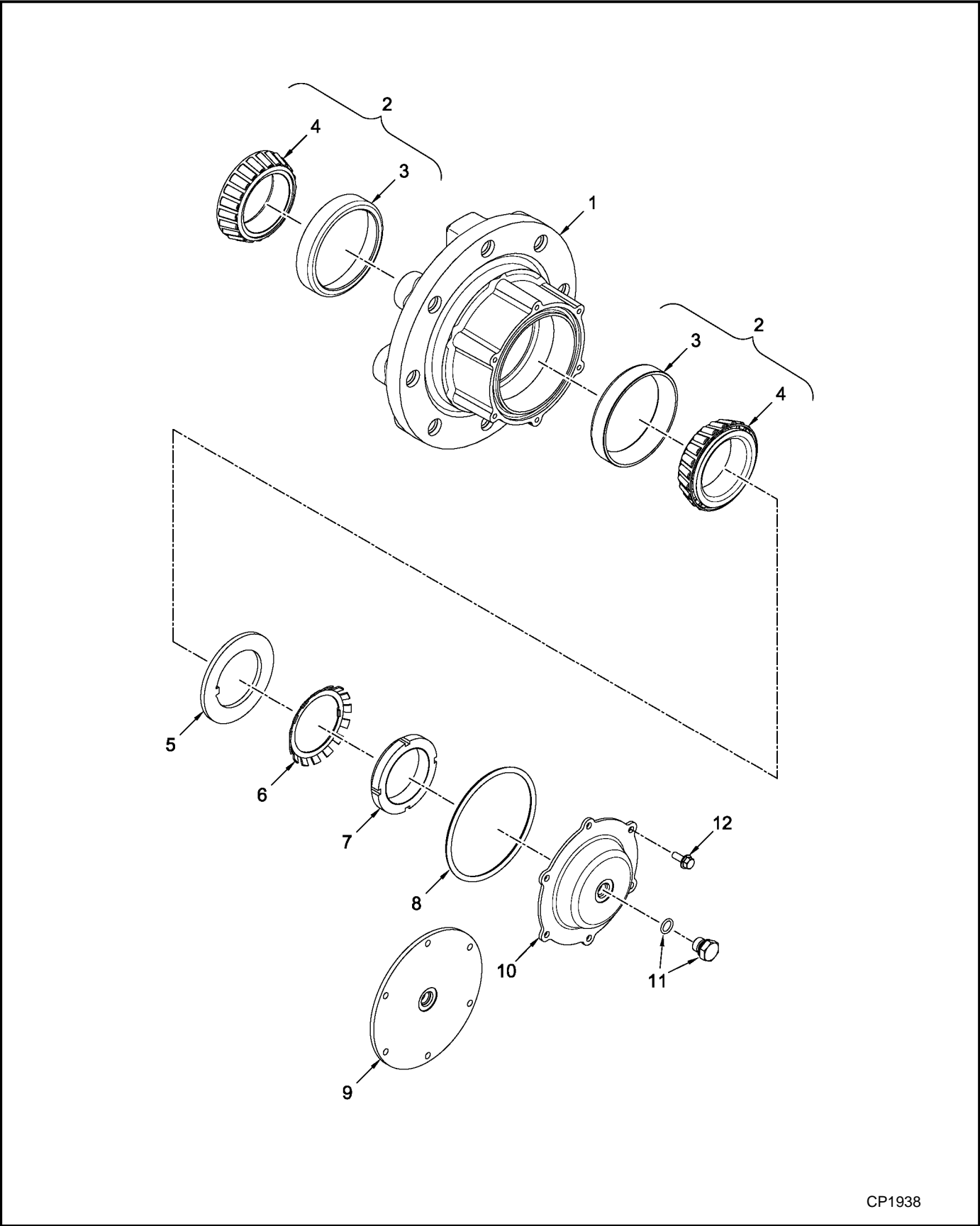
(2A-0922 & 2A-0924)

Ref.	FN	Part Number	TTS Series	Qty.	Description
1		2C-2013-101		1	HUB, Idler
2		2A-1067-100		2	BEARING SERVICE SET, Idler, Includes items 3 & 4
3		NSS		1	BEARING, Roller, Cup (2B-0032)
4		NSS		1	BEARING, Roller Cone (2B-0120)
5		674012700		1	WASHER, Tongue
6	2	105023916		1	WASHER, Lock
7	1	105023915		1	NUT, Lock
8		2C-0196-101		1	COVER, Idler Hub
9		2J-0023		1	O-RING
10		108609500		1	PLUG ASSY., Includes O-Ring
11		761301665		6	BOLT, Hex Flg., M6 x 16 Cl 10.9

1 - For Special Tooling use p/n 2P-0021-100 Bearing Locknut Socket available from Camso.

2 - For Special Tooling use p/n 2P-0180-100 Lock Washer Tab Bender available from Camso.

Hub - Mid-roller



CP1938

**TRAILED TRACK SYSTEM 80 & 100 SERIES**  
**(302" TRACK) (INCLUDES 80-3013, 80-3014, 100-3014, 100-3015, 100-3613, 100-3614)**

**Hub - Mid-roller**

(2A-2529)

Ref.	FN	Part Number	TTS Series	Qty.	Description
1	3	2C-4798-101SP		1	HUB, Mid-roller
2		2A-1066-100SP		2	BEARING SERVICE SET, Mid-roller, Includes items 3 & 4
3		NSS		1	BEARING, Roller, Cup (2B-0157)
4		NSS		1	BEARING, Roller Cone (2B-0161)
5		674012700		1	WASHER, Tongue
6	2	105023916		1	WASHER, Lock
7	1	105023915		1	NUT, Lock
8		106023515		1	O-RING
9	4	2C-2679-101SP		1	COVER, Idler Hub, Flat
10	5	2C-4229-101SP		1	COVER, Idler Hub, Formed
11		108609500		1	PLUG, Hex, M14
12		761301665		6	BOLT, Hex Flg., M6 x 16, CI 10.9

1 - For Special Tooling use p/n 2P-0021-100 Bearing Locknut Socket available from Camso.

2 - For Special Tooling use p/n 2P-0180-100 Lock Washer Tab Bender available from Camso.

3 - P/n 2C-1320 Mid-roller Hub is replaced with 2C-4798-101SP Shorter Mid-roller Hub. If you are replacing 2C-1320 Hub with a 2C-4798-101SP Hub, Mid-roller Wide. You must also order Formed Hub Cover 2C-4229-101SP.

4 - P/n 2C-2679-101SP Flat Hub Cover only fits 2C-1320 Hubs.

5 - P/n 2C-4229-101SP Formed Hub Cover only fits on 2C-4798-101SP Mid-roller Hubs.