

PARTS MANUAL

2026

3300 DEFOLIATOR

6 ROW 22

4 ROW 30

Amity
TECHNOLOGY



2800 7th Avenue North
Fargo, ND 58102

Phone: (701) 232-4199

Fax: (701) 234-1716

www.amitytech.com

TABLE OF CONTENTS

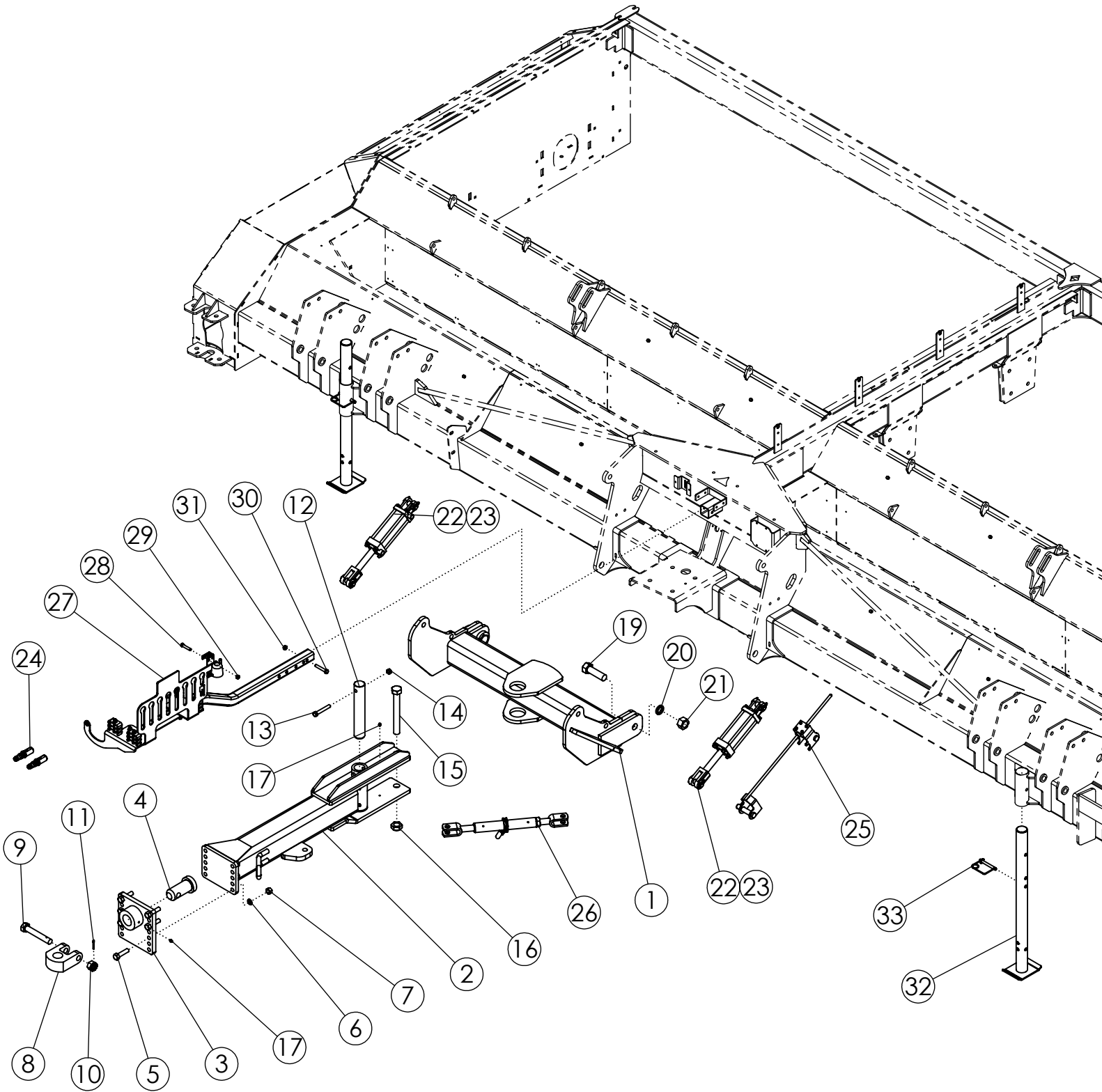
HITCH ASSEMBLY (68526).....	1-2
HITCH PACKAGE DEF (52145)	3-4
HOSE HOLDER (301131).....	5-6
DEPTH GAUGE (63367)	7-8
REVERSE FRONT SHIELD (305305)	9-10
FRONT PLASTIC ASSEMBLY (305300).....	11-12
DRIVE COMPONENTS (305301)	13-14
DRIVE/TUBE COMPONENTS (305302)	15-16
SIDE DOOR ASSEMBLY (305320).....	17-18
STEEL TARP ASSEMBLY (305304)	19-20
REAR FLAP (307863)	21-22
MAINFRAME HYD MOUNTING (305336)	23-24
LIGHT KIT (305827)	25-26
MANUAL STORAGE CASE (64643).....	27-28
AHC/FLOATING STRUT VALVE MOUNT (307016)	29-30
DECALS (305313)	31-34
FRONT DRUM 6R FORWARD (58440)	35-36
FRONT DRUM 6R REVERSE 4R30 (52234)	37-38
FRONT DRUM 6R REVERSE 6R22 (52231)	39-40
FRONT DRUM RUBBER MOUNT (305303).....	41-42
FRONT DRUM 6R22 STEEL L-KNIFE (59279).....	43-44
FRONT DRUM 6R22 STEEL FLAIL 3 PIN (306837)	45-46
FRONT DRUM 6R24 STEEL FLAIL (307710)	47-48
FRONT DRUM STEEL MOUNT (305306).....	49-50
#1 DRUM FLAILS	51-60
#2 DRUM FLAILS	61-68
#3 DRUM FLAILS	69-86
STANDARD REAR STRUTS 11.2 X 24 44" (306002).....	87-88
STEERABLE REAR STRUTS 11.2 X 24 22" (306003).....	89-92
STEERABLE STRUT ASSEMBLY (305924)	93-94
OFFSET STEERABLE REAR STRUTS 11.2 X 24 22" (306349)	95-98
STANDARD STEERING (305973)	99-100
CENTERING STEERING (305994).....	101-102
ROWFINDER ASSEMBLY (306865)	103-106
ROWFINDER SCALPER MOUNT (305998/307541)	107-108
ROWFINDER FRAME MOUNT (305999/307542)	109-110
REAR LIFT RATCHET JACK (307635)	111-112
REAR STRUT HYDRAULICS (306010).....	113-114
AHC FRAME MOUNT (307248)	115-116
AHC SKID ASSEMBLY (306887).....	117-118
AHC BASE COMPONENTS (307380)	119-120
AHC ISOBUS CONTROLLER (307250).....	121-122
AHC/ADC JOYSTICK W/ MOUNT (303447).....	123-124
AHC SENSOR ASSEMBLY (307567)	125-126
AHC SENSOR KIT (306834)	127-128
AHC DEPTH GAUGE (306976)	129-130
AHC ELECTRICAL COMPONENTS	131-132
SCALPER BAR ASSEMBLY (306007/307543).....	133-134
SCALPER BASKETS (51475 & 307160)	135-138
TOP DOOR LIFT (305401).....	139-140

(CONTINUED)

TABLE OF CONTENTS (CONTINUED)

CYLINDER STOP KIT (51509)	141-142
REAR TIRE SCRAPERS (305779).....	143-144
SCALPER LOCK UP KIT (307257).....	145-146
JD GPS GUIDANCE MOUNTS (307875)	147-148
PTO STD 1-3/8" (306403)	149-150
PTO STD 1-3/4" (306404)	151-152
PTO CV 1-3/8" (69681)	153-154
PTO CV 1-3/4" (69682)	155-156
GEARBOX 1.57:1 L (52391)	157-158
GEARBOX 1:1 L (52392)	159-160
GEARBOX 1:1.57 T (52379)	161-162
GEARBOX 1.57:1 T (52393)	163-164
GEARBOX 1:1 T W/ OVERRUN CLUTCH (59189)	165-166
TORQUE LIMITER CV (305196).....	167-168
TORQUE LIMITER STD (305198).....	169-170
FRONT SIDE DRIVELINE (52399).....	171-172
FRONT SIDE DRIVELINE (68604).....	173-174
SIDE DRIVELINE (52397).....	175-176
HYDRAULIC COUPLER ASSEMBLY	177-178
SNAP RING PLIERS (69055)	179

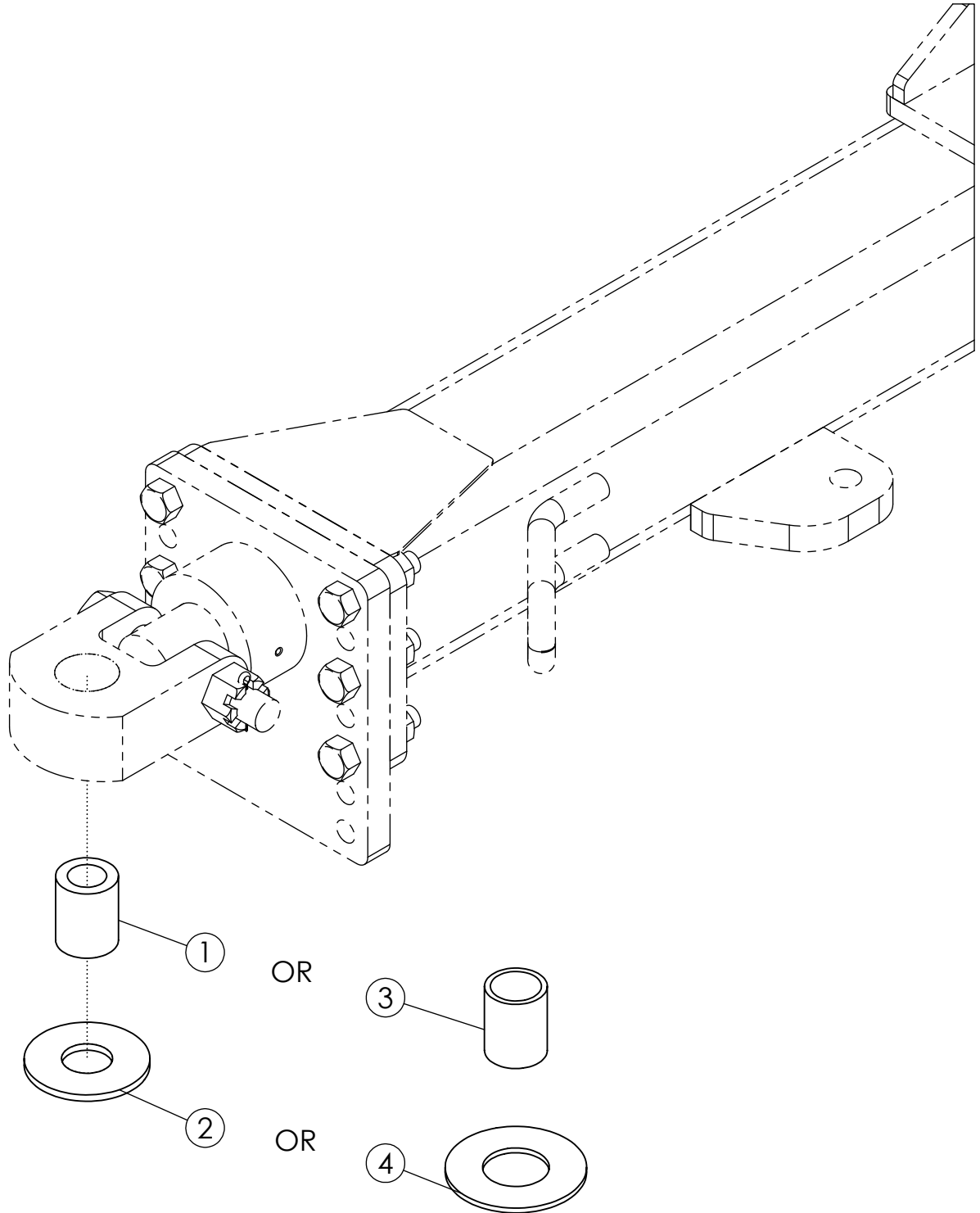
HITCH ASSEMBLY (68526)



HITCH ASSEMBLY (68526)

ITEM	PART NO.	DESCRIPTION	QTY
1	50341	WLDMT-HITCH PIVOT 6R/8R STD	1
2	68277	WLDMT - DRAWPOLE DEF	1
3	57930	WLDMT-HITCH PLATE	1
4	62101	PIN-HITCH MACHINED ZP	1
5	1012059	BOLT-HEX: .75 X 3.00 NC GR5 ZP	6
6	1012061	WASHER-LOCK: .75 ZP	6
7	1011620	NUT-HEX: .75 NC GR2 ZP	6
8	64476	PLATE-PULL HITCH (2.065") PC	1
9	62477	BOLT-HITCH DRILLED	1
10	62088	NUT-SLOTTED: 1.125 NC GR5 ZP	1
11	1013473	PIN-COTTER: .19 X 2.00 ZP	1
12	50678	PIN	1
13	1015117	BOLT-HEX: .63 X 4.00 NC GR8 ZP	1
14	1016595	NUT-TOPLOCK: .63 NC GR5 ZP	1
15	1030756	BOLT-HEX: 1.25 X 10.50 NC GR5 ZP	1
16	1030759	NUT-TOPLOCK: 1.25 NC ZP	1
17	1011748	ZERK-GREASE .25 UNF STRAIGHT	5
18	58090	CHAIN-SAFETY 20200# (NOT SHOWN)	1
19	72021	BOLT-HEX: 1.38 X 4.50 NC GR5 ZP	2
20	1030760	WASHER-LOCK: 1.38 ZP	2
21	1030758	NUT-HEX: 1.38 NC GR2 ZP	2
22	58891	CYLINDER-HYDRAULIC 4 X 8" 3000	2
23	301315	SEAL KT-CYL 4 X 8, 4 X 10 3000PSI	
24	304186	ASSY-TRACTOR HYD COUPLERS (BLACK)	1
25	63367	ASSY-DEPTH GAUGE	1
26	52407	RATCHET JACK PAINTED BLACK	1
27	301131	ASSY-HYD HOSE HOLDER (PHANTOM)	1
28	1011616	BOLT-HEX: .44 X 2.25 NC GR5 ZP	1
29	1018706	NUT-TOPLOCK: .44 NC GR5 ZP	1
30	1011611	BOLT-HEX: .50 X 3.00 NC GR5 ZP	1
31	1027461	NUT-TOPLOCK: .50 NC GR5 ZP	1
32	52073	WLDMT-STAND	2
33	52408	SPRING PIN .50 X 3.50	2

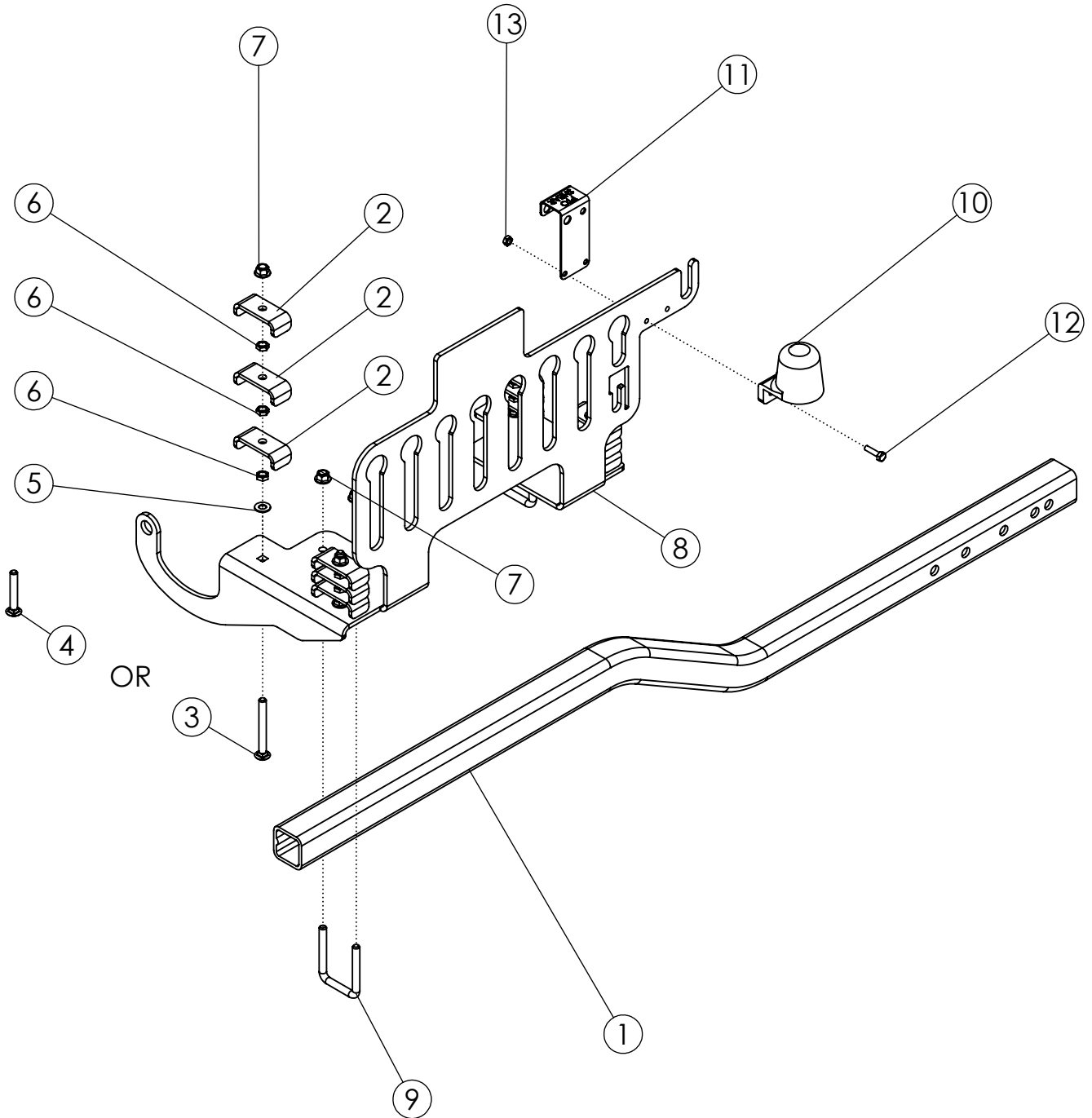
HITCH PACKAGE DEF (52145)



HITCH PACKAGE DEF (52145)

ITEM	PART NO.	DESCRIPTION	QTY
1	64615	TUBE-SPACER 2.0 X 1.25	1
2	58925	WASHER-HARDENED 4.000 X 1.625	1
3	64614	TUBE-SPACER	1
4	68645	WASHER-FLAT: 2.125 X 4.50 X .184	1

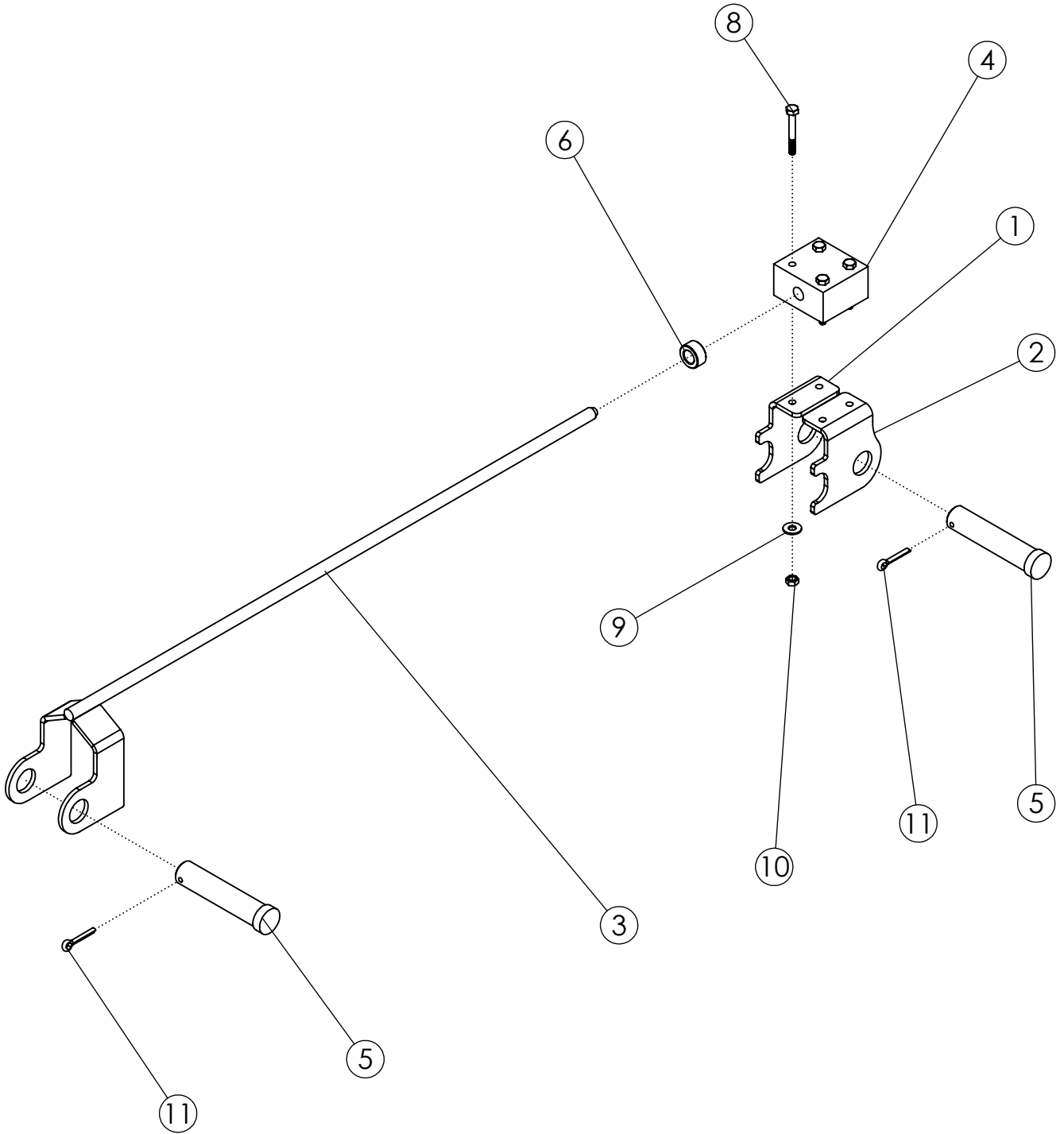
HOSE HOLDER (301131)



HOSE HOLDER (301131)

ITEM	PART NO.	DESCRIPTION	QTY
1	301135	TUBE-HYD HOSE HOLDER	1
2	50714	CLAMP 1/2" ZP	12
3	1030880	BOLT-CRG: .38 X 3.50 NC GR5 ZP	4
4	1030882	BOLT-CRG: .38 X 2.50 NC GR5 ZP	4
5	1014608	WASHER-FLAT: SAE .38 ZP	4
6	1013519	NUT-JAM: .38 NC GR2 ZP	12
7	303731	NUT-FLANGE: TOPLOCK .38 NC YZP	8
8	304215	PLATE-HOSE HOLDER (2025 - CURRENT)	1
9	33162	U-BOLT: .375 X 3 X 2 X 3	2
10	223329	HOLDER-LIGHT PLUG	1
11	307680	PLATE-PTO SHEAR SS	1
12	1013423	BOLT-HEX: .25 X 1.00 NC GR5 ZP	2
13	1030946	NUT-TOPLOCK: .25 NC GR5 ZP	2

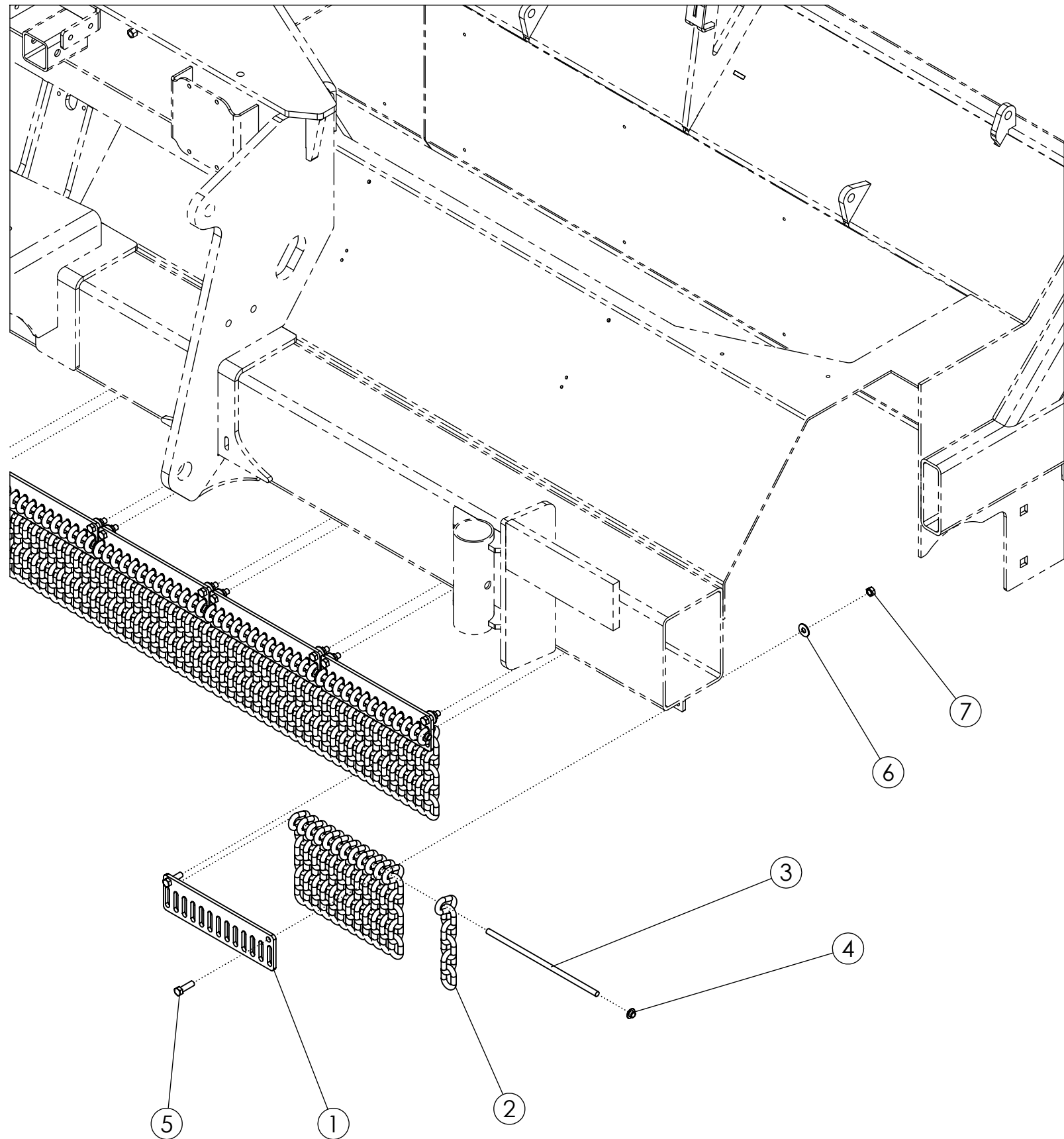
DEPTH GAUGE (63367)



DEPTH GAUGE (63367)

ITEM	PART NO.	DESCRIPTION	QTY
1	63995	BRACKET-TOP RH	1
2	63996	BRACKET-TOP LH	1
3	63999	WLDMT-BOTTOM BRACKET ZP	1
4	63383	POLY GUIDE BLOCK	1
5	63406	PIN-CLEVIS: 1.00 X 4.00 ZP	2
6	63359	COLLAR-SET: 9/16 ZP	1
7	63405	DECAL-DEPTH GAUGE (NOT SHOWN)	1
8	1016211	BOLT-HEX: .25 X 2.00 NC GR5	4
9	1020416	WASHER-FLAT: .25 ZP	4
10	1030946	NUT-TOPLOCK: .25 NC GR5 ZP	4
11	1012375	PIN-COTTER .19 X 1.50 NP	2

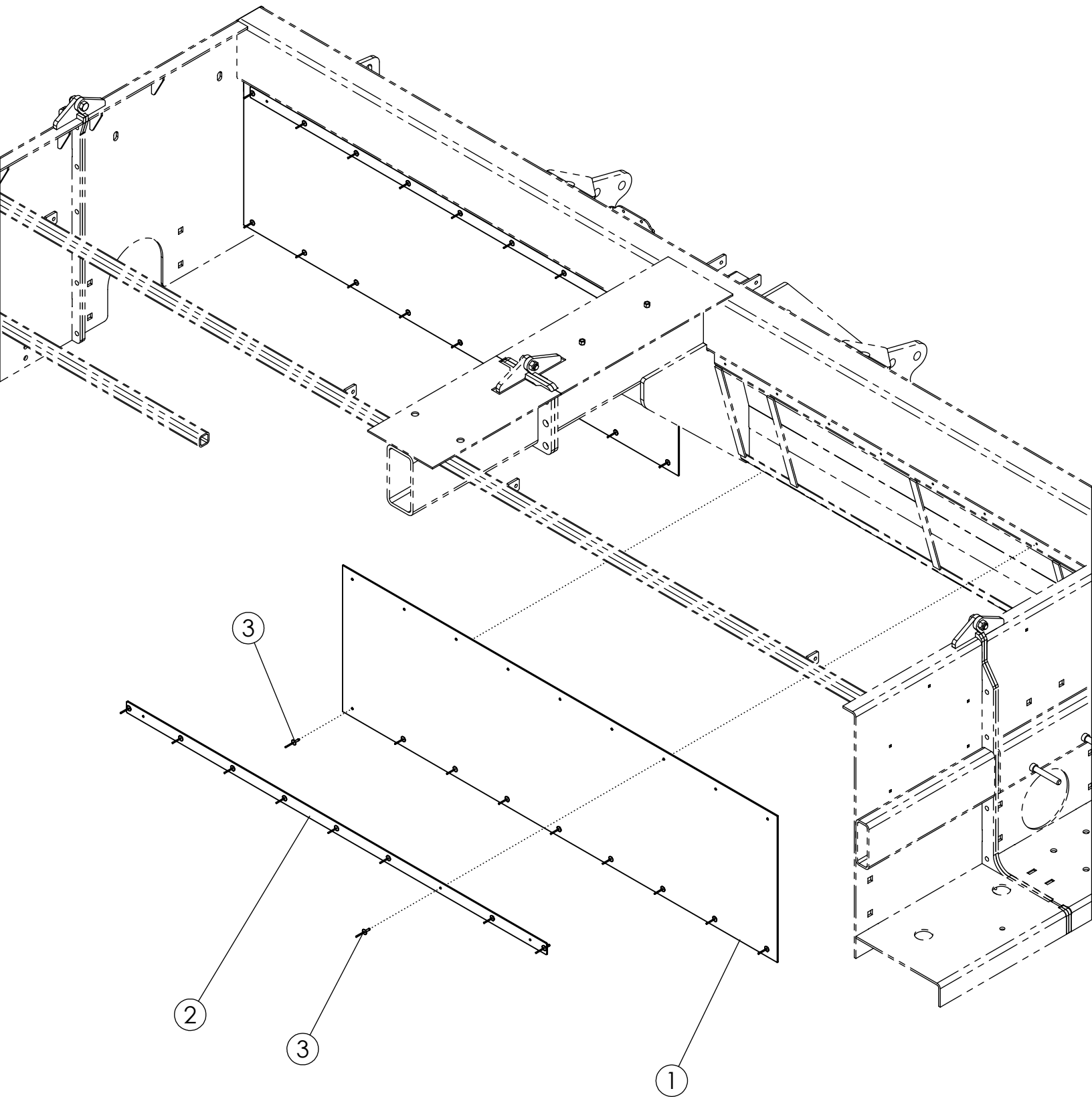
REVERSE FRONT SHIELD (305305)



REVERSE FRONT SHIELD (305305)

ITEM	PART NO.	DESCRIPTION	QTY
1	307717	PLATE-CHAIN GUARD COMMON	12
2	307718	CHAIN-3/8" X 6 LINKS, GR30 ZP	156
3	307782	ROD-CHAIN RETAINER	12
4	307796	CAP-PUSH ON 3/8 STUD	12
5	1011601	BOLT-HEX: .38 X 1.25 NC GR5 ZP	24
6	65778	WASHER-FLAT: .38 SS	24
7	1016999	NUT-TOPLOCK: .38 NC GR5 ZP	24

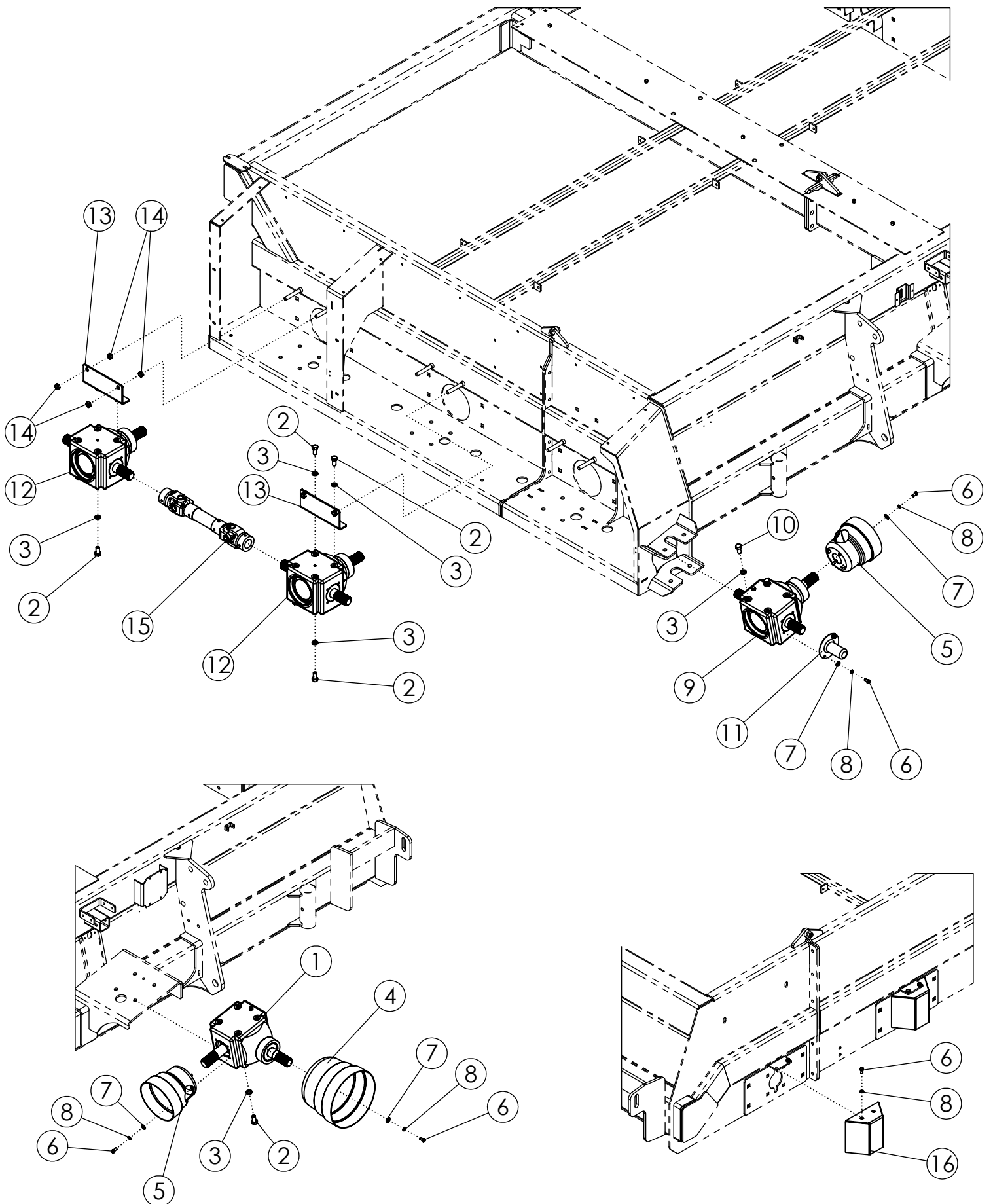
FRONT PLASTIC ASSEMBLY (305300)



FRONT PLASTIC ASSEMBLY (305300)

ITEM	PART NO.	DESCRIPTION	QTY
1	305029	LINER-FRONT 6R	2
2	305227	BAR-LINER RETAINER 6R / 12R (3750)	2
3	56886	RIVET-POP: .19 X .675 ZP	36

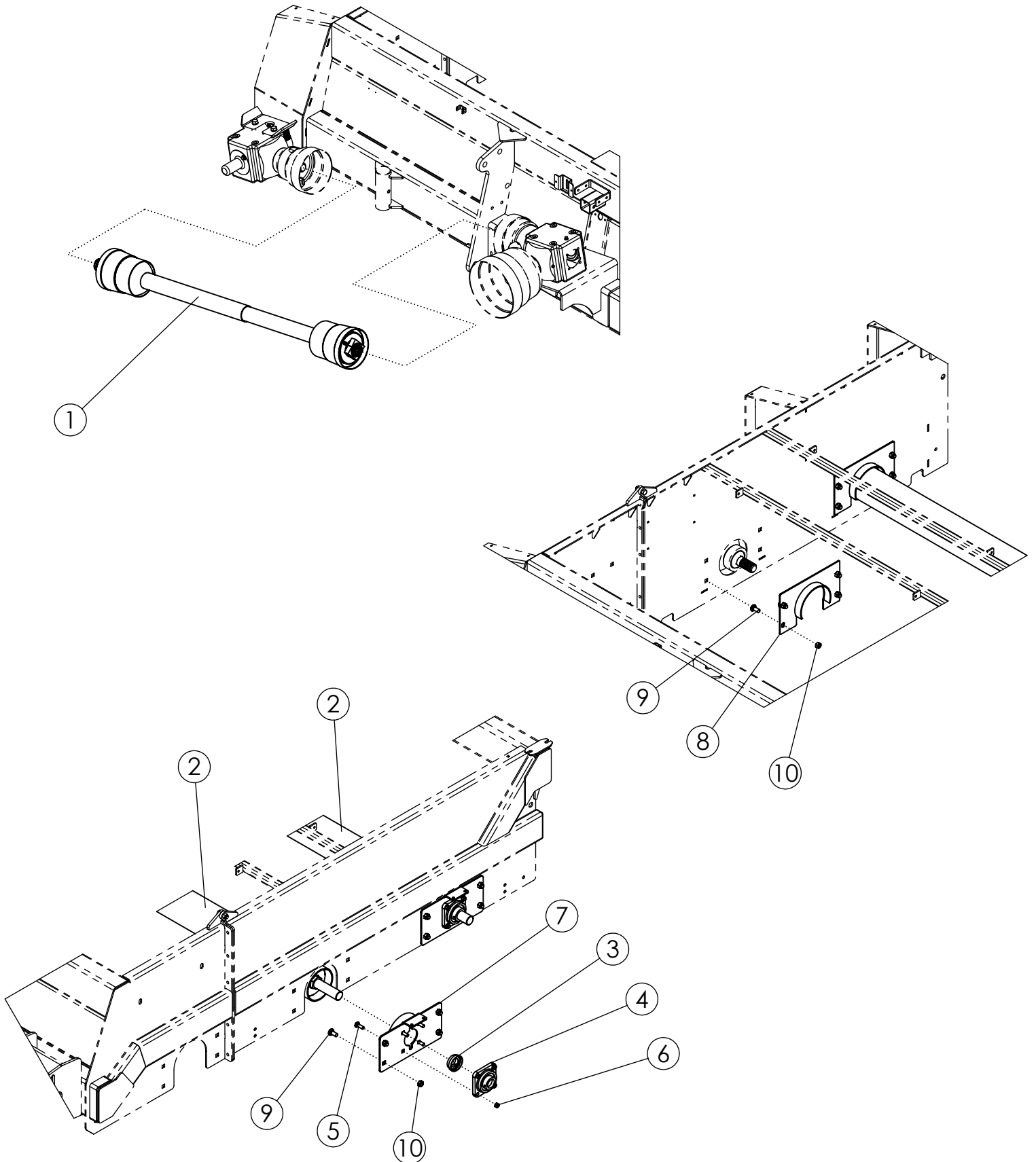
DRIVE COMPONENTS (305301)



DRIVE COMPONENTS (305301)

ITEM	PART NO.	DESCRIPTION	QTY
1	52391	GEARBOX 1.57:1 2WAY (BLACK)	1
2	1030703	BOLT-HEX: .63 X 1.25 NF GR5 ZP	16
3	1011813	WASHER-LOCK: .63 ZP	20
4	52389	SHIELD CONE-LARGE	1
5	63972	SHIELD-CONE SMALL DRILLED	2
6	1011599	BOLT-HEX: .38 X .75 NC GR5 ZP	20
7	1011828	WASHER-FLAT: .38 ZP	14
8	1011586	WASHER-LOCK: .38 ZP	20
9	59189	GEARBOX-1:1 3 WAY W/OR CLUTCH BLK	1
10	1032509	BOLT-HEX: .63 X 1.25 NC GR5 ZP	4
11	59762	COVER-SHAFT	1
12	52393	GEARBOX 1.57:1 3WAY (BLACK)	2
13	305030	ANGLE-GEARBOX	2
14	1026259	NUT-JAM: .63 NC GR2 ZP	8
15	52397	DRIVELINE-SIDE	1
16	68462	WLDMT-IDLER SHIELD	3

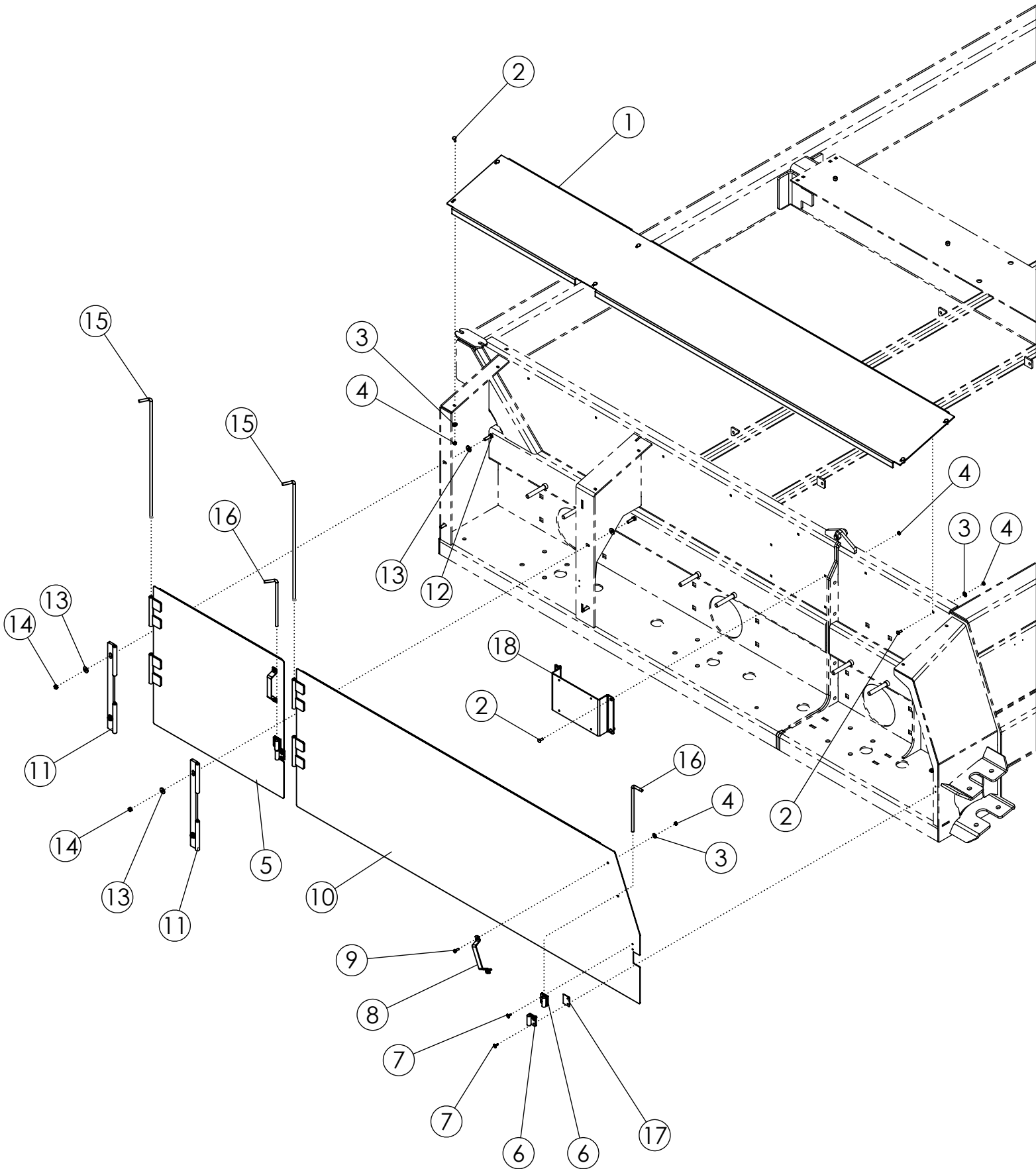
DRIVE/TUBE COMPONENTS (305302)



DRIVE/TUBE COMPONENTS (305302)

ITEM	PART NO.	DESCRIPTION	QTY
1	306416	PTO-CROSS SHAFT 6R (DEF)	1
2	62124	FLAIL TUBE-0622 TT SCH 40 PAINTED	2
3	52382	SEAL PROTECTOR 1-3/4"	2
4	52404	BEARING-FLANGE 1-3/4"	2
5	1011660	BOLT-CRG: .50 X 1.50 NC GR5 ZP	8
6	1027461	NUT-TOPLOCK: .50 NC GR5 ZP	8
7	68244	WLDMT-PLATE BEARING	2
8	51809	WLDMT-SHIELD ANTI WRAP (NARROW)	2
9	72063	BOLT-CRG: .63 X 1.50 NC GR5 ZP	16
10	1016595	NUT-TOPLOCK: .63 NC GR5 ZP	16

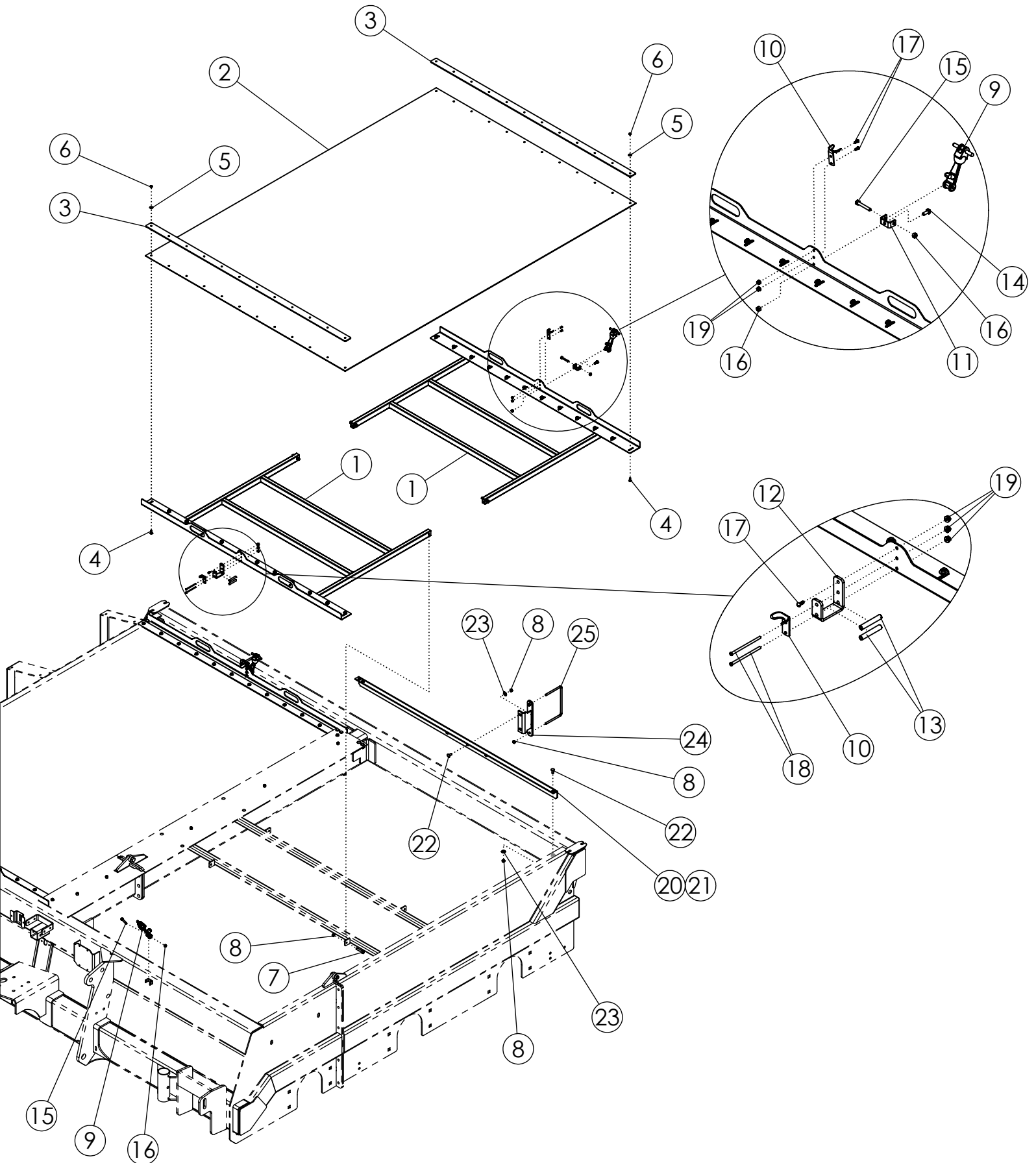
SIDE DOOR ASSEMBLY (305320)



SIDE DOOR ASSEMBLY (305320)

ITEM	PART NO.	DESCRIPTION	QTY
1	68201	PANEL-TOP SHIELD	1
2	68602	BOLT-CRG: .25 X .75 NC GR5	17
3	1020416	WASHER-FLAT: .25 ZP	17
4	1030946	NUT-TOPLOCK: .25 NC GR5 ZP	21
5	305316	WLDMT-REAR SIDE DOOR DEF 6R	1
6	69140	WLDMT-DOOR LATCH ZP	4
7	1011974	RIVET-POP: .19 X .55 ZP	8
8	68715	HANDLE-GRAB DOOR	2
9	1011595	BOLT-HEX: .25 X .75 NC GR5 ZP	4
10	305317	WLDMT-FRONT SIDE DOOR DEF 6R	1
11	72680	WLDMT-DOOR HINGE	2
12	1011601	BOLT-HEX: .38 X 1.25 NC GR5 ZP	4
13	1011828	WASHER-FLAT: .38 ZP	8
14	1016999	NUT-TOPLOCK: .38 NC GR5 ZP	4
15	51303	DOOR HINGE ROD ZP	2
16	51304	DOOR LOCK ZP	2
17	69141	PLATE-DOOR LATCH SPACER	4
18	68324	PLATE-DEF MANUAL CASE	1

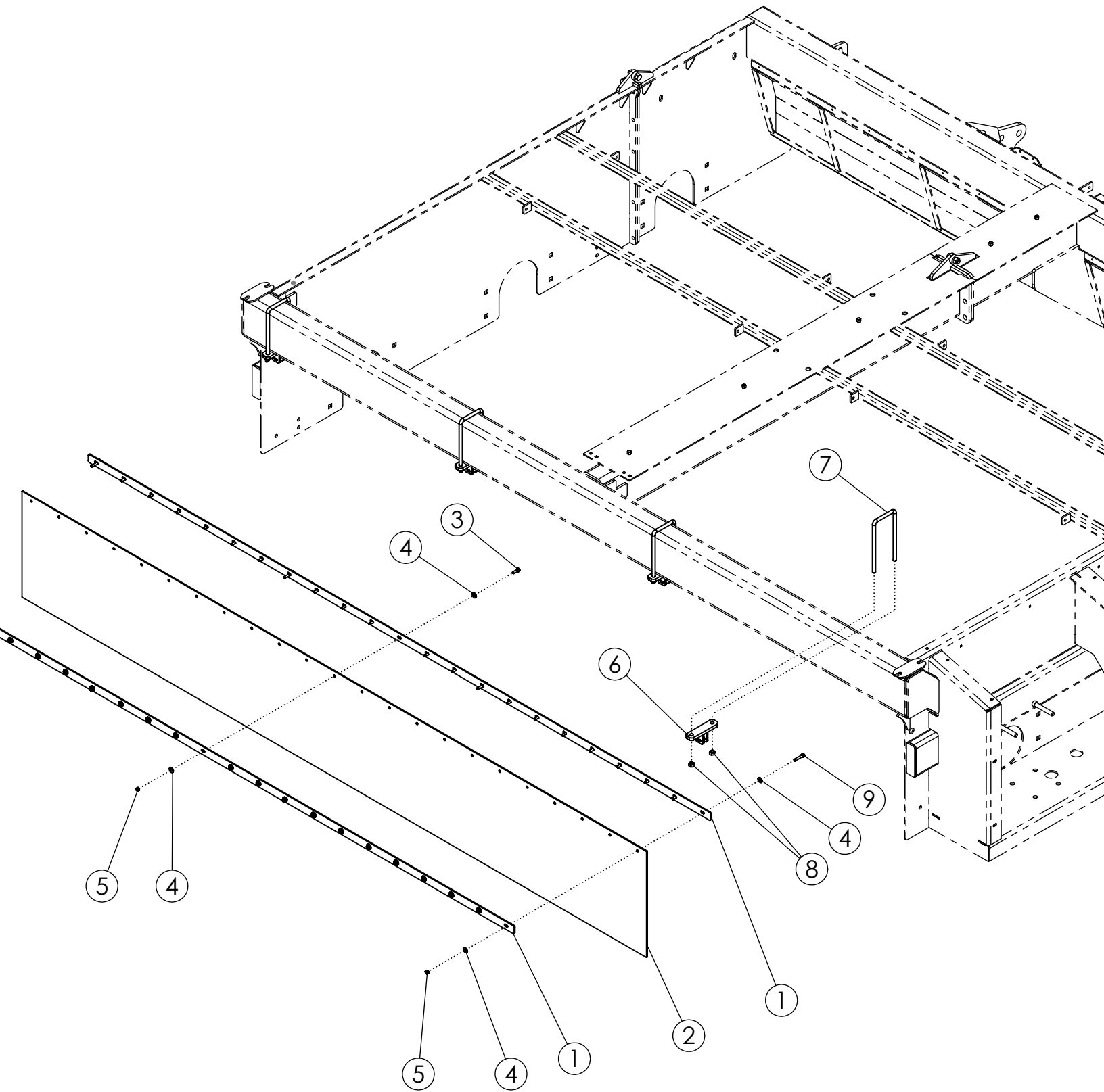
STEEL TARP ASSEMBLY (305304)



STEEL TARP ASSEMBLY (305304)

ITEM	PART NO.	DESCRIPTION	QTY
1	62499	WLDMT-TOP DOOR DEF 6R/12R	4
2	62504	TARP 40624 STEEL	2
3	59815	BRACKET-BOLTING 6R & 12R	4
4	68602	BOLT-CRG: .25 X .75 NC GR5	48
5	1020416	WASHER-FLAT: .25 ZP	48
6	1030946	NUT-TOPLOCK: .25 NC GR5 ZP	48
7	1011725	BOLT-HEX: .38 X 2.00 NC GR5 ZP	8
8	1016999	NUT-TOPLOCK: .38 NC GR5 ZP	20
9	52238	RUBBER HOOK LARGE	4
10	52239	HOOD BRACKET-LARGE	4
11	52237	ANCHOR BRACKET-LARGE ZP	2
12	68320	SHEET-TARP BRACKET	2
13	305392	TUBE-TARP BRACKET STIFFENER ZP	4
14	1011597	BOLT-HEX: .31 X .75 NC GR5 ZP	2
15	1011285	BOLT-HEX: .31 X 2.00 NC	4
16	1030700	NUT-TOPLOCK: .31 NC GR5 ZP	6
17	1013462	SCREW-R-H-SL: .19 X .50 NC GR2	6
18	305393	SCREW-F-H-S-C: 10-24 X 3.50 NC	4
19	1026591	NUT-K-LOCK: #10-24 NC GR2 ZP	10
20	305034	PLATE-DOOR CROSS 6R LH	1
21	305035	PLATE-DOOR CROSS 6R RH	1
22	59488	BOLT-CRG: .38 X 1.00 NC GR5 ZP	8
23	1011828	WASHER-FLAT: .38 ZP	8
24	69111	WLDMT-DOOR SUPPORT	2
25	64244	U-BOLT: .375 X 5.125 X 8.063 X 5.125	2

REAR FLAP (307863)



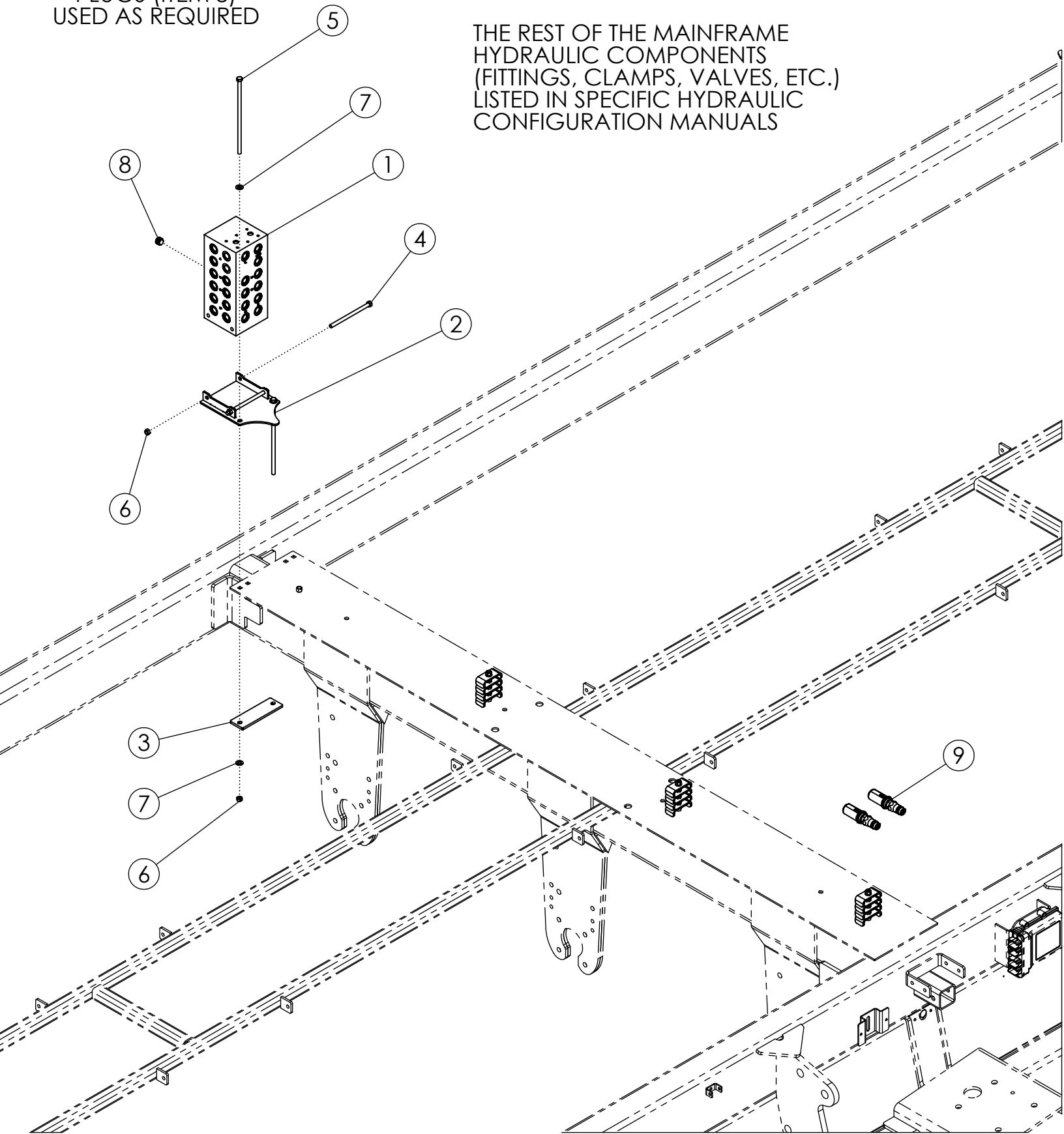
REAR FLAP (307863)

ITEM	PART NO.	DESCRIPTION	QTY
1	63446	BAR-REAR FLAP 0622, 1222	2
2	52357	FLAP-REAR (6R22, 12R22)	1
3	1011598	BOLT-HEX: .31 X 1.00 NC GR5 ZP	19
4	1011583	WASHER-FLAT: .31 ZP	46
5	1030700	NUT-TOPLOCK: .31 NC GR5 ZP	23
6	63448	WLDMT-REAR FLAP MOUNT	4
7	63458	U-BOLT: .50 X 9.25 X 4.00 X 9.25 ZP	4
8	1027461	NUT-TOPLOCK: .50 NC GR5 ZP	8
9	1013424	BOLT-HEX .31 X 1.75 NC	4

MAINFRAME HYD MOUNTING (305336)

PLUGS (ITEM 8)
USED AS REQUIRED

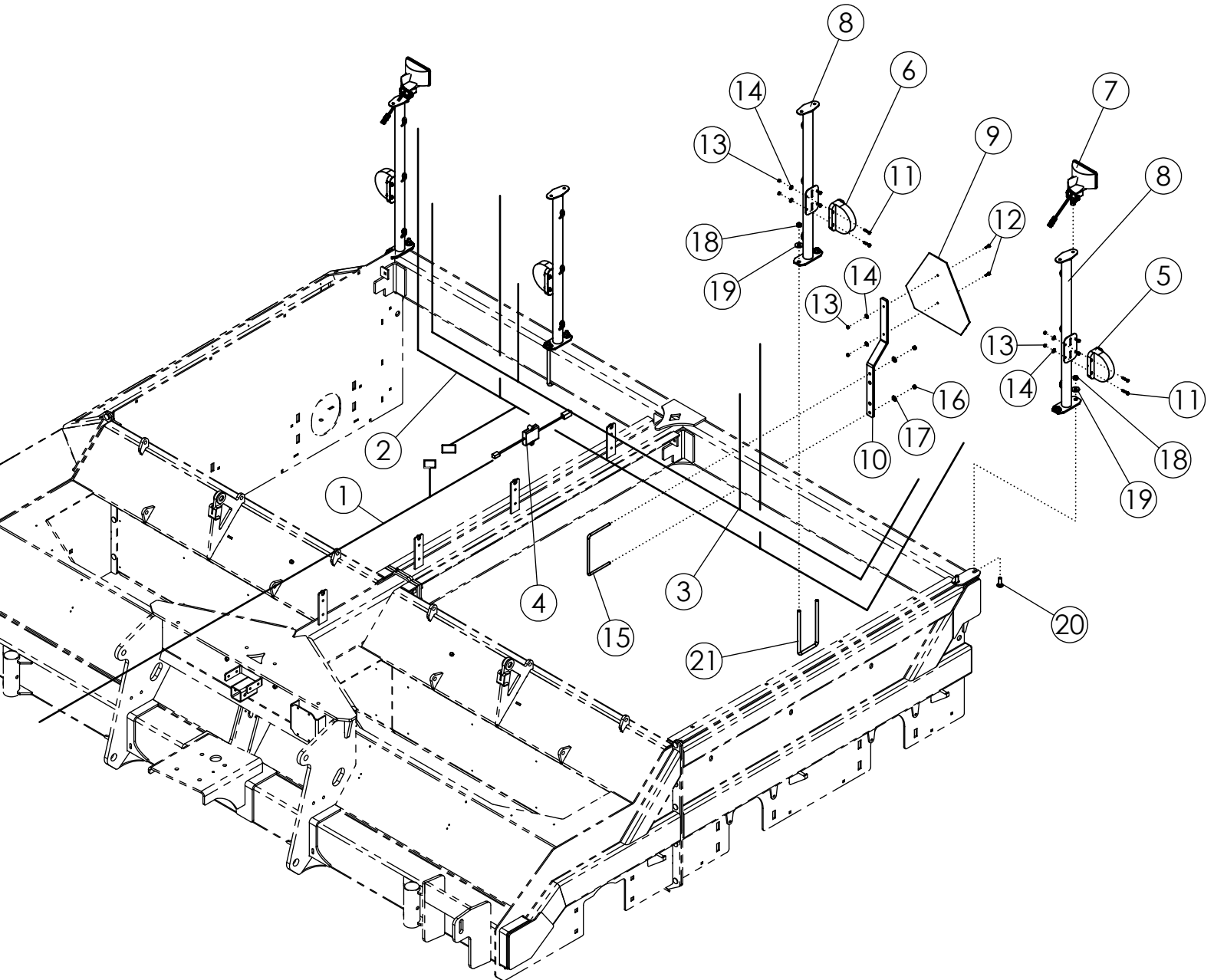
THE REST OF THE MAINFRAME
HYDRAULIC COMPONENTS
(FITTINGS, CLAMPS, VALVES, ETC.)
LISTED IN SPECIFIC HYDRAULIC
CONFIGURATION MANUALS



MAINFRAME HYD MOUNTING (305336)

ITEM	PART NO.	DESCRIPTION	QTY
1	307564	HYDRAULIC BLOCK REAR DEF (AHC COMPATIBLE)	1
2	305659	WLDMT-VALVE BLOCK MOUNT	1
3	305662	PLATE-VALVE BLOCK BOLTING	1
4	34925	BOLT-HEX: .38 X 6.00 NC GR5 ZP	2
5	305663	BOLT-HEX: .38 X 10.00 NC GR5 ZP	2
6	1016999	NUT-TOPLOCK: .38 NC GR5 ZP	4
7	1014608	WASHER-FLAT: SAE .38 ZP	4
8	305666	FTG-PLUG: 8MB PLUG ALLEN HEX SOCKET (6409-8)	AR
9	304189	ASSY-TRACTOR HYD COUPLERS (GOLD)	1

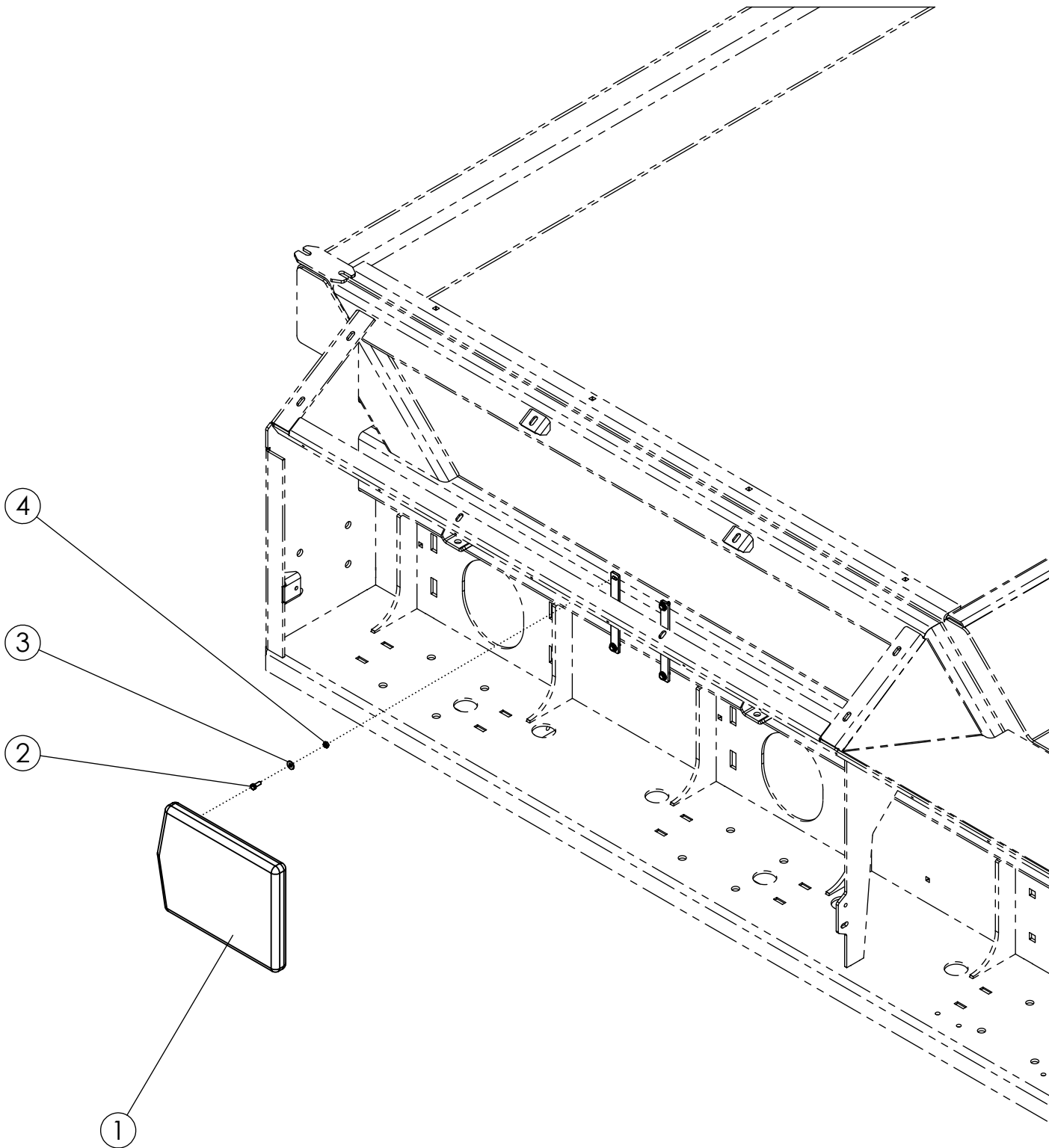
LIGHT KIT (305287)



LIGHT KIT (305287)

ITEM	PART NO.	DESCRIPTION	QTY
1	305213	HARNESS-DEF MAIN 6R/8R/12R	1
2	305292	HARNESS-DEF WORK LIGHT 6R	1
3	305291	HARNESS-DEF HAZARD 6R	1
4	305216	HARNESS-FLASHER MODULE	1
5	305217	LIGHT-YELLOW LAMP SAE	2
6	305218	LIGHT-RED LAMP SAE	2
7	301294	LIGHT-GROTE T26 NEAR FLOOD	2
8	305219	WLDMT-LIGHT MOUNT	4
9	65329	SIGN-SMV ASAE S276.5	1
10	64246	MOUNT-SMV SIGN	1
11	1013940	BOLT-HEX: .25 X 1.25 NC GR5	16
12	1011595	BOLT-HEX: .25 X .75 NC GR5 ZP	2
13	1030946	NUT-TOPLOCK: .25 NC GR5 ZP	18
14	1020416	WASHER-FLAT: .25 ZP	18
15	64244	U-BOLT: .375 X 5.125 X 8.063 X 5.125	1
16	1016999	NUT-TOPLOCK: .38 NC GR5 ZP	2
17	1011828	WASHER-FLAT: .38 ZP	2
18	1027461	NUT-TOPLOCK: .50 NC GR5 ZP	8
19	1014443	WASHER-FLAT: .50 ZP	8
20	1011660	BOLT-CRG: .50 X 1.50 NC GR5 ZP	4
21	63458	U-BOLT: .50 X 9.25 X 4.00 X 9.25 ZP	2
22	1013122	TIE-NYLON CABLE 50# X 15.50" (NOT SHOWN)	12

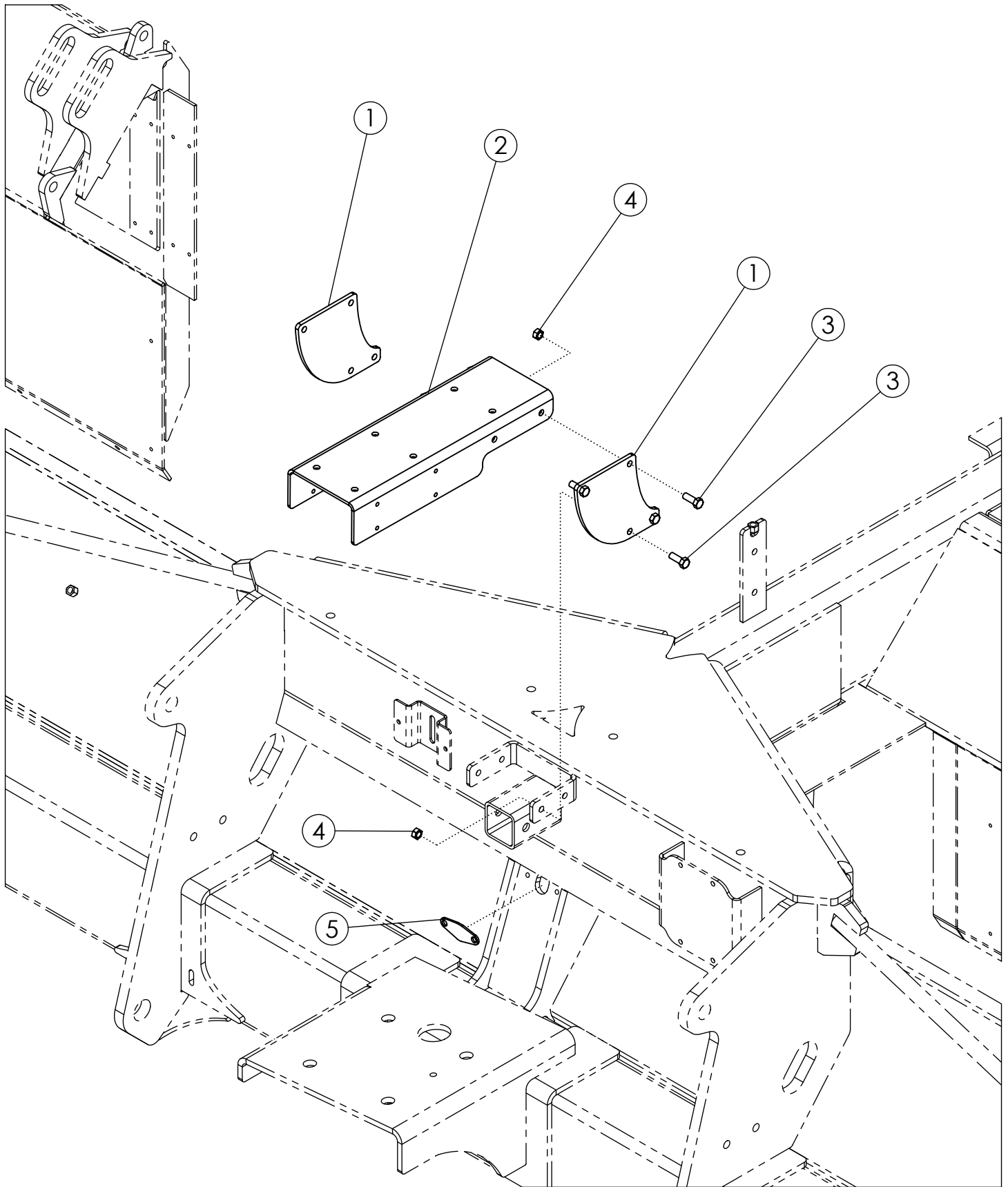
MANUAL STORAGE CASE DEF (64643)



MANUAL STORAGE CASE DEF (64643)

ITEM	PART NO.	DESCRIPTION	QTY
1	64635	CASE-MANUAL STORAGE	1
2	1011595	BOLT-HEX: .25 X .75 NC GR5 ZP	4
3	1020416	WASHER-FLAT: .25 ZP	4
4	1030946	NUT-TOPLOCK: .25 NC GR5 ZP	4

AHC/FLOATING STRUT VALVE MOUNT (307016)

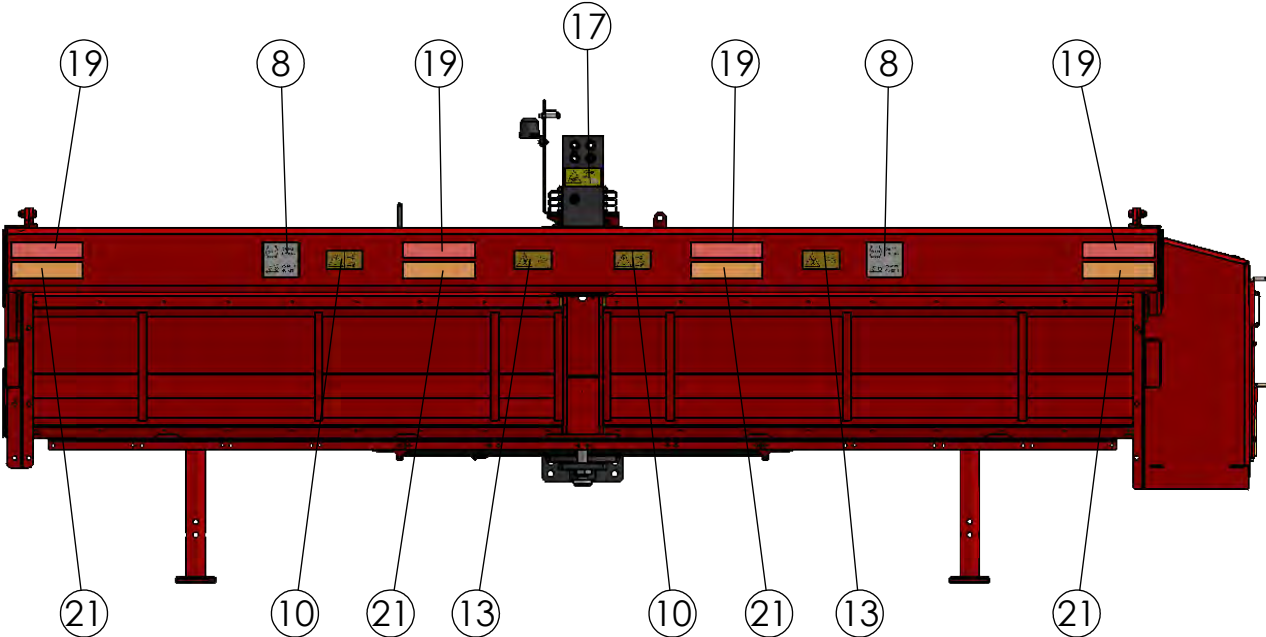
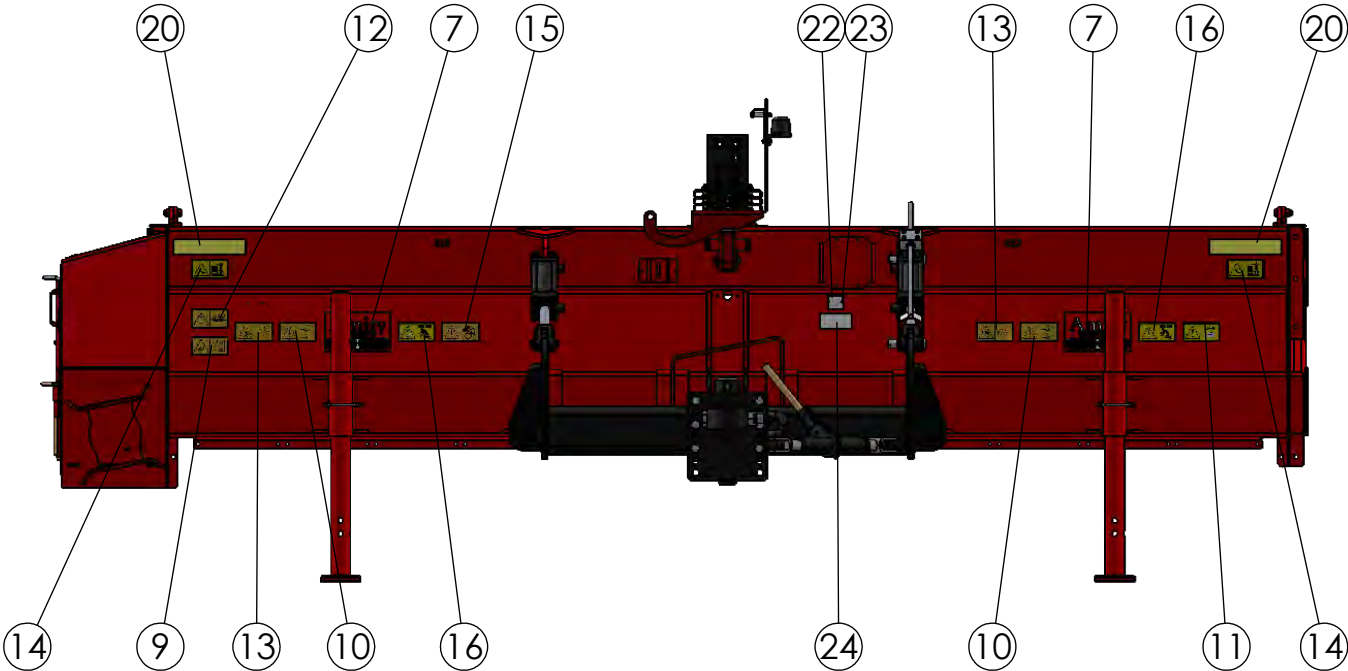


AHC/FLOATING STRUT VALVE MOUNT (307016)

ITEM	PART NO.	DESCRIPTION	QTY
1	306987	PLATE-AHC BASE EXTENDER	2
2	306988	PLATE-AHC BASE MOUNT	1
3	1011600	BOLT-HEX: .38 X 1.00 NC GR5 ZP	8
4	1016999	NUT-TOPLOCK: .38 NC GR5 ZP	8
5	307394	PLATE-HARNESS HOLE COVER	1

3300 DEF DECALS (305313)

FRONT VIEW



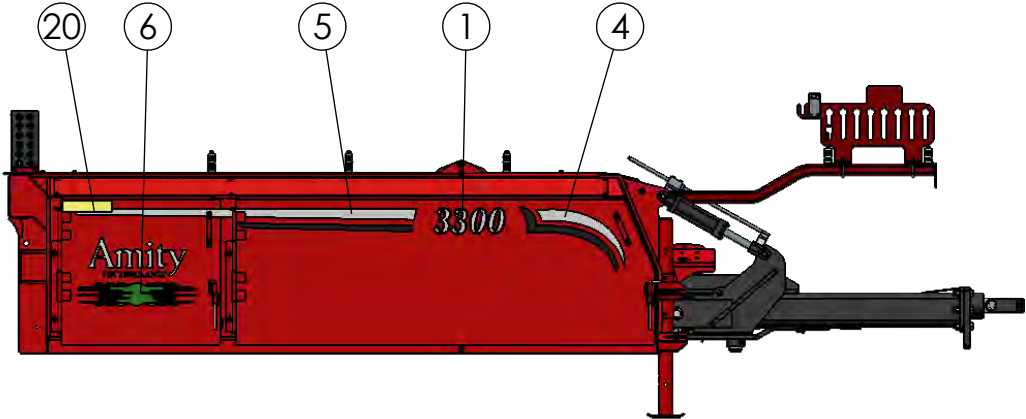
REAR VIEW

3300 DEF DECALS (305313)

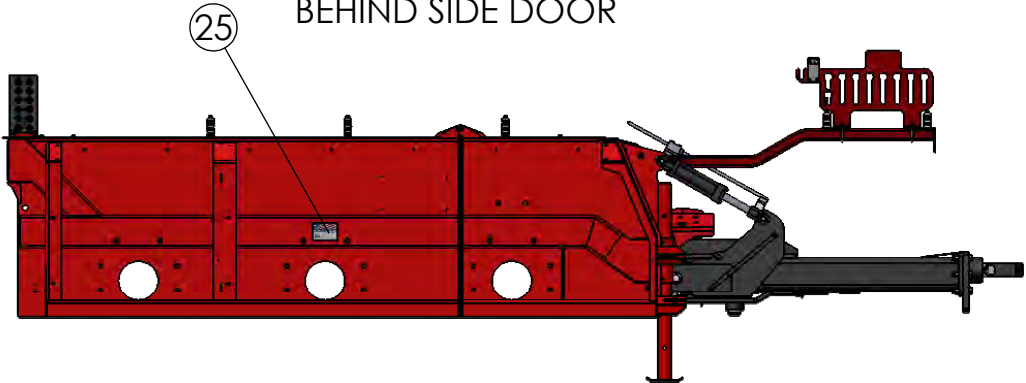
ITEM	PART NO.	DESCRIPTION	QTY
1	69400	DECAL-3300 6X12 (6R22)	2
2	69405	DECAL-LH CURVE 7.25X22	1
3	69406	DECAL-LH STRIPE 4X63	1
4	69407	DECAL-RH CURVE 7.25X22	1
5	69408	DECAL-RH STRIPE 4X63	1
6	69399	DECAL-AMITY LOGO 12X24 (GRN GLB)	2
7	63465	DECAL-AMITY LOGO SMALL	2
8	303353	DECAL- TIRE PRESSURE DEF	2
9	9971013	DECAL-GUARD MISSING	2
10	303267	DECAL-DANGER FLAILS	4
11	997859	DECAL-ENGINE OFF	1
12	303268	DECAL-DANGER ROTATING	1
13	307165	DECAL-CAUTION DOORS	4
14	9971015	DECAL- FALL OFF HAZARD	2
15	303263	DECAL-DANGER MOVING PARTS	2
16	303265	DECAL-DANGER UNDER MACHINE	2
17	997867	DECAL- FLUID UNDER PRESSURE	1
18	307797	DECAL-HOSE COLOR CHART 00 SERIES	1
19	65330	DECAL-RED RETROREFLECTIVE	4
20	65331	DECAL-YELLOW RETROREFLECTIVE	4
21	65332	DECAL-RED/ORANGE FLUORESCENT	4
22	1028371	TAG: SERIAL#/MODEL#/YEAR	1
23	59882	RIVET-POP: .13 X .31 ZP	2
24	303769	DECAL-US PATENT QR CODE	1
25	303804	DECAL-PROUDLY MADE AT AMITY	1

3300 DEF DECALS (305313)

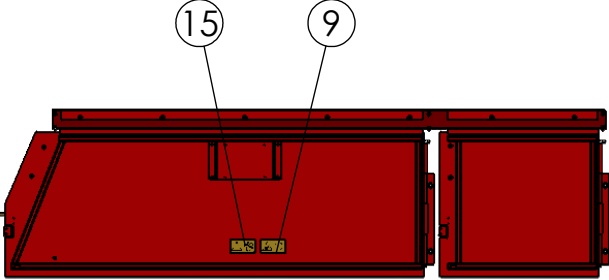
RH SIDE VIEW



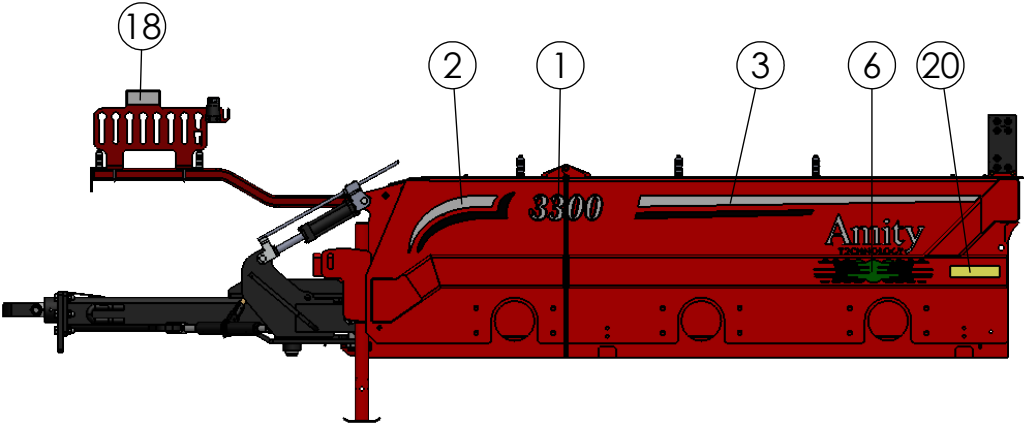
BEHIND SIDE DOOR



BACK SIDE OF DOOR



BACK SIDE OF DOOR

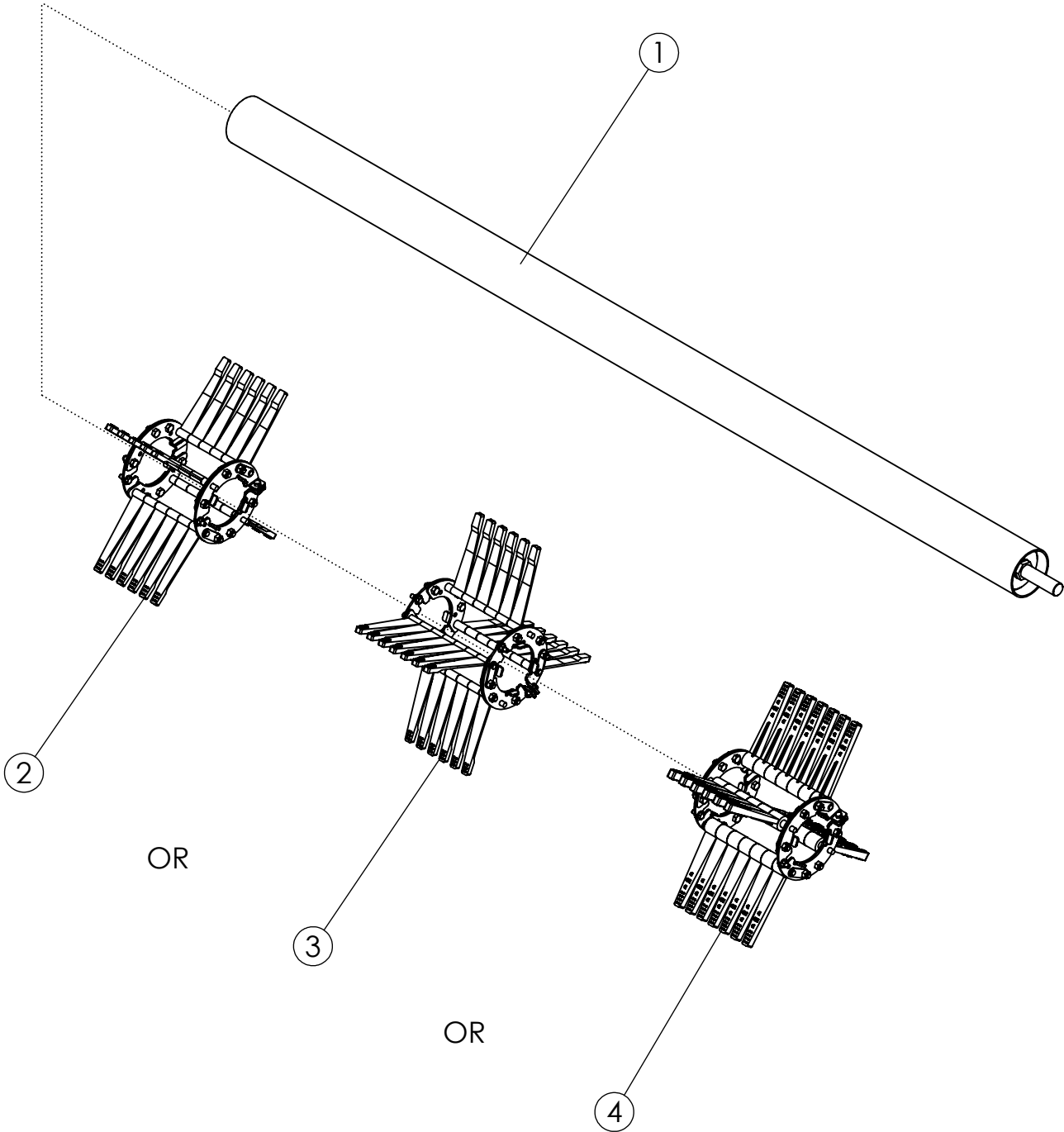


LH SIDE VIEW

3300 DEF DECALS (305313)

ITEM	PART NO.	DESCRIPTION	QTY
1	69400	DECAL-3300 6X12 (6R22)	2
2	69405	DECAL-LH CURVE 7.25X22	1
3	69406	DECAL-LH STRIPE 4X63	1
4	69407	DECAL-RH CURVE 7.25X22	1
5	69408	DECAL-RH STRIPE 4X63	1
6	69399	DECAL-AMITY LOGO 12X24 (GRN GLB)	2
7	63465	DECAL-AMITY LOGO SMALL	2
8	303353	DECAL- TIRE PRESSURE DEF	2
9	9971013	DECAL-GUARD MISSING	2
10	303267	DECAL-DANGER FLAILS	4
11	997859	DECAL-ENGINE OFF	1
12	303268	DECAL-DANGER ROTATING	1
13	307165	DECAL-CAUTION DOORS	4
14	9971015	DECAL- FALL OFF HAZARD	2
15	303263	DECAL-DANGER MOVING PARTS	2
16	303265	DECAL-DANGER UNDER MACHINE	2
17	997867	DECAL- FLUID UNDER PRESSURE	1
18	307797	DECAL-HOSE COLOR CHART 00 SERIES	1
19	65330	DECAL-RED RETROREFLECTIVE	4
20	65331	DECAL-YELLOW RETROREFLECTIVE	4
21	65332	DECAL-RED/ORANGE FLUORESCENT	4
22	1028371	TAG: SERIAL#/MODEL#/YEAR	1
23	59882	RIVET-POP: .13 X .31 ZP	2
24	303769	DECAL-US PATENT QR CODE	1
25	303804	DECAL-PROUDLY MADE AT AMITY	1

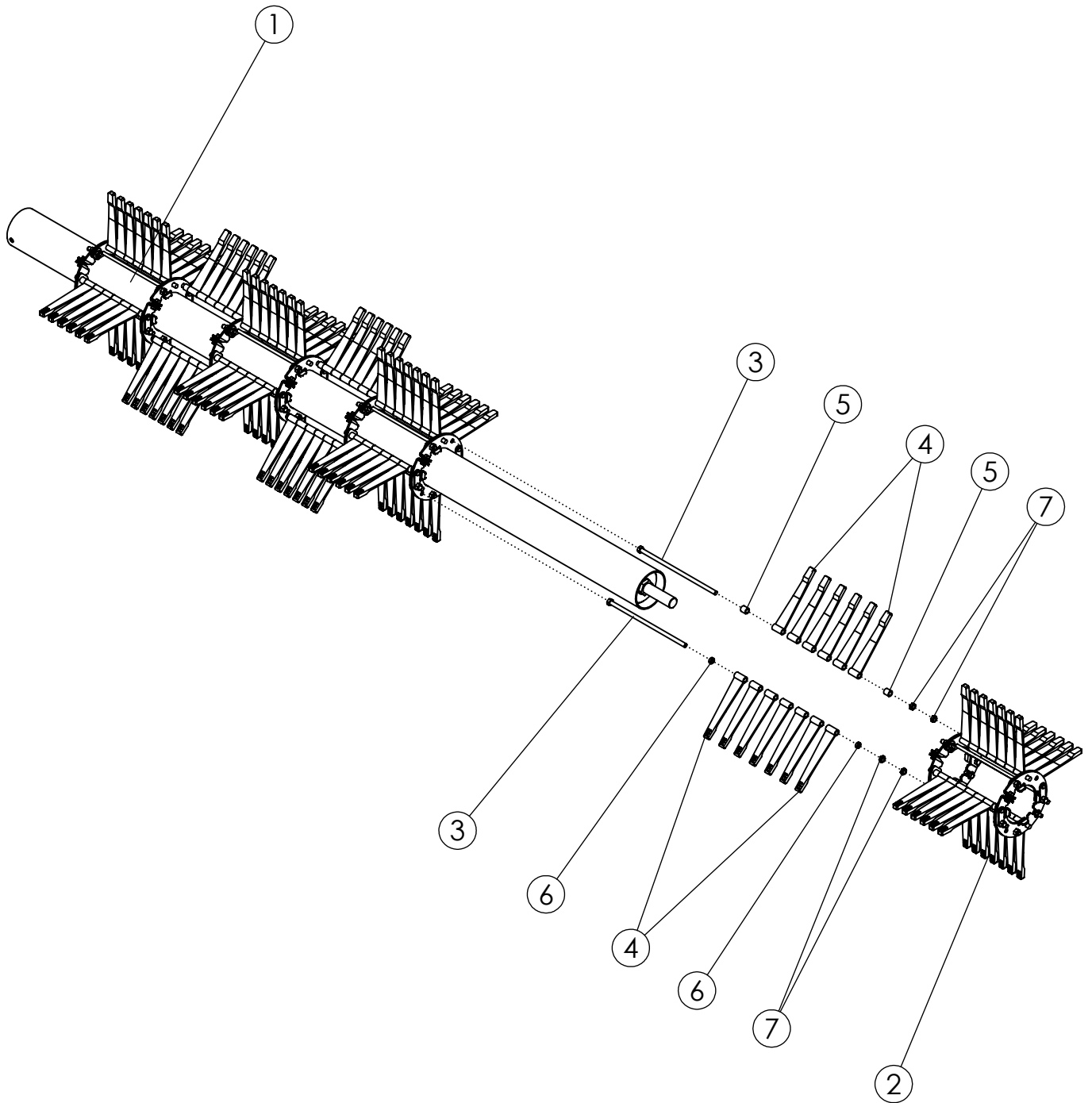
FRONT DRUM 6R FORWARD (58440)



FRONT DRUM 6R FORWARD (58440)

ITEM	PART NO.	DESCRIPTION	QTY
1	62124	FLAIL TUBE-0622 TT SCH 40 PAINTED	1
2	52123	ASSY-FLAIL #1 22" (STUDDER)	1
3	52126	ASSY-FLAIL #1 30" (STUDDER)	1
4	64327	ASSY-FLAIL #1 30" (1" PREMIER)	1

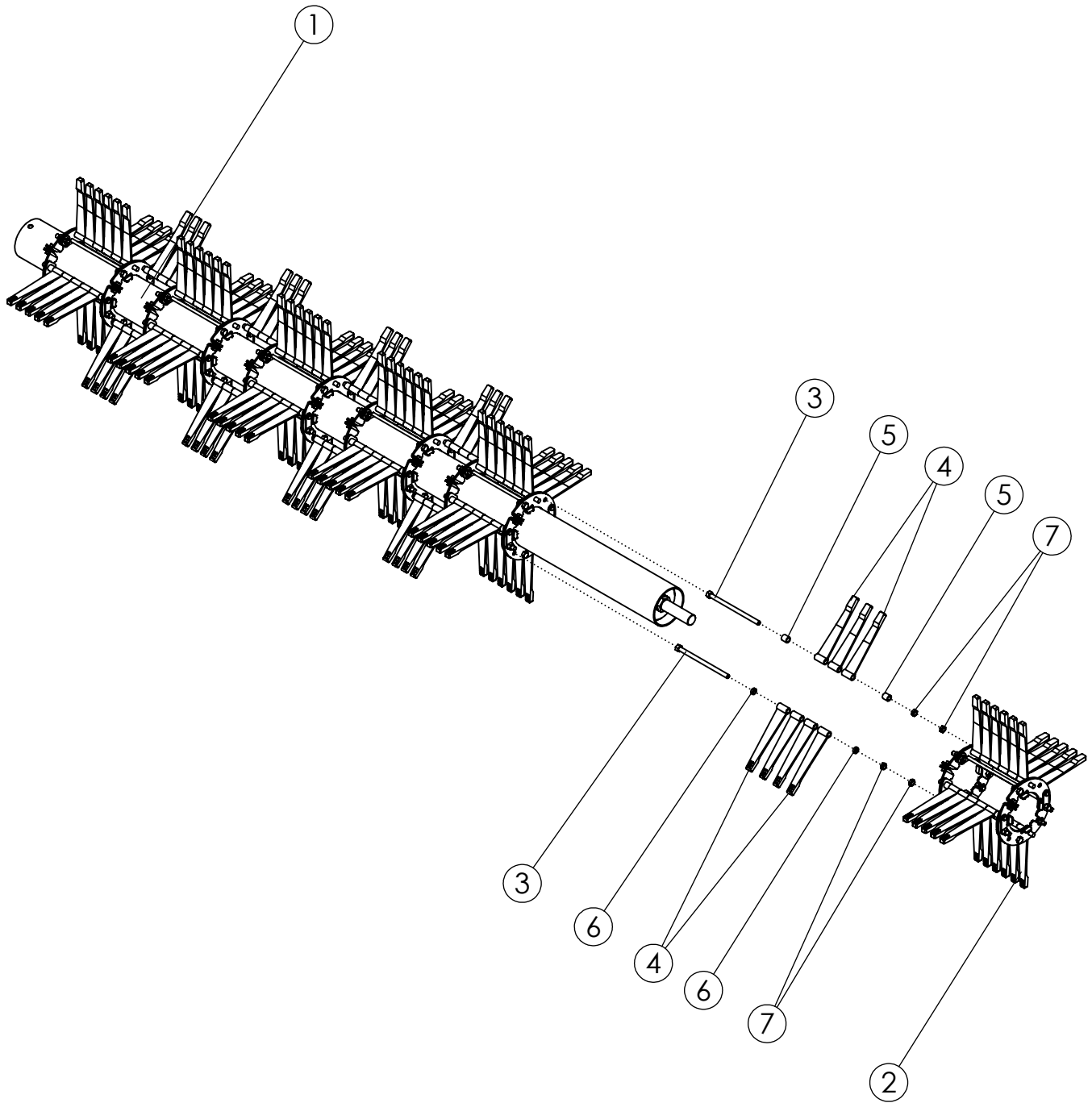
FRONT DRUM 6R REVERSE 4R30 (52234)



FRONT DRUM 6R REVERSE 4R30 (52234)

ITEM	PART NO.	DESCRIPTION	QTY
1	62124	FLAIL TUBE-0622 TT SCH 40 PAINTED	1
2	58543	ASSY-FLAIL #1 30" REVERSE	4
3	307660	BOLT-HEX: .63 X 16.625 NC GR8 ZP	6
4	52356	FLAIL-STUDDDED 1 X 12	39
5	51549	SPACER-1"	6
6	51547	SPACER-5/16"	6
7	1026259	NUT-JAM: .63 NC GR2 ZP	12

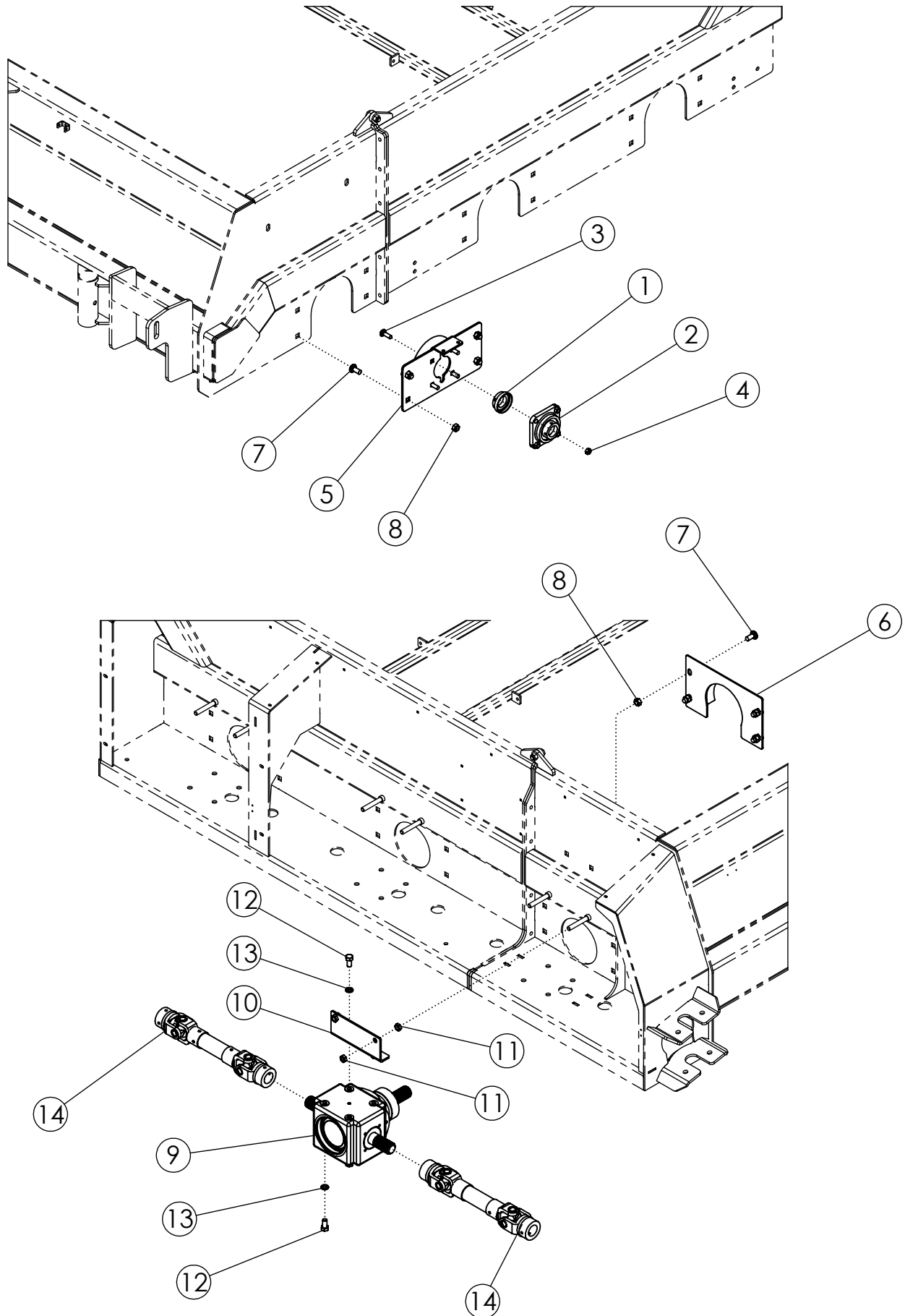
FRONT DRUM 6R REVERSE 6R22 (52231)



FRONT DRUM 6R REVERSE 6R22 (52231)

ITEM	PART NO.	DESCRIPTION	QTY
1	62124	FLAIL TUBE-0622 TT SCH 40 PAINTED	1
2	58542	ASSY-FLAIL #1 22" REVERSE	6
3	64600	WLDMT-FLAIL ROD REVERSE 22"	10
4	52356	FLAIL-STUDDDED 1 X 12	35
5	51549	SPACER-1"	10
6	51547	SPACER-5/16"	10
7	1026259	NUT-JAM: .63 NC GR2 ZP	20

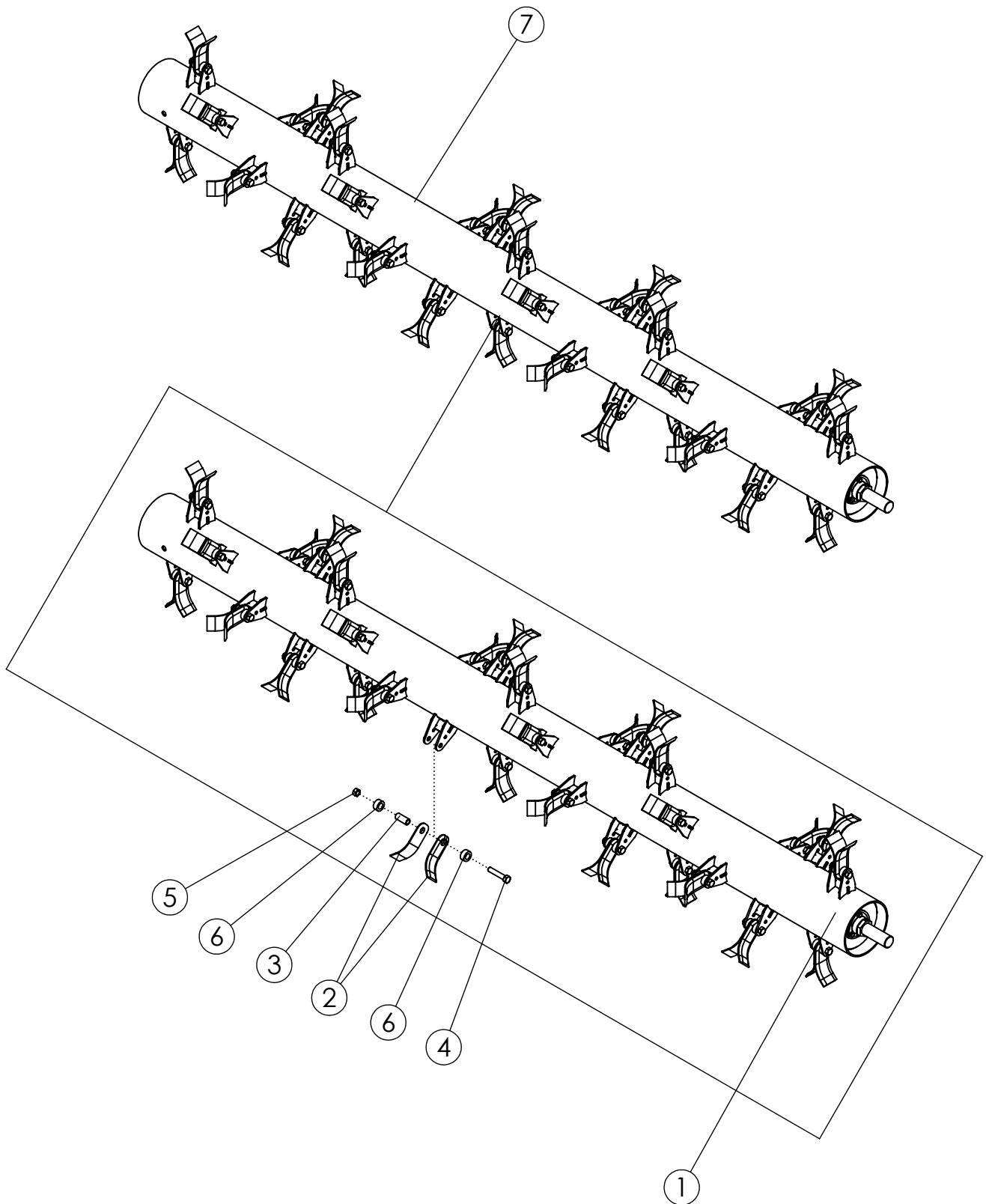
FRONT DRUM RUBBER MOUNT (305303)



FRONT DRUM RUBBER MOUNT (305303)

ITEM	PART NO.	DESCRIPTION	QTY
1	52382	SEAL PROTECTOR 1-3/4"	1
2	52404	BEARING-FLANGE 1-3/4"	1
3	1011660	BOLT-CRG: .50 X 1.50 NC GR5 ZP	4
4	1027461	NUT-TOPLOCK: .50 NC GR5 ZP	4
5	68244	WLDMT-PLATE BEARING	1
6	51809	WLDMT-SHIELD ANTI WRAP (NARROW)	1
7	72063	BOLT-CRG: .63 X 1.50 NC GR5 ZP	8
8	1016595	NUT-TOPLOCK: .63 NC GR5 ZP	8
9	52393	GEARBOX 1.57:1 3WAY (BLACK)	1
10	305030	ANGLE-GEARBOX	1
11	1026259	NUT-JAM: .63 NC GR2 ZP	4
12	1030703	BOLT-HEX: .63 X 1.25 NF GR5 ZP	6
13	1011813	WASHER-LOCK: .63 ZP	6
14	52397	DRIVELINE-SIDE	2

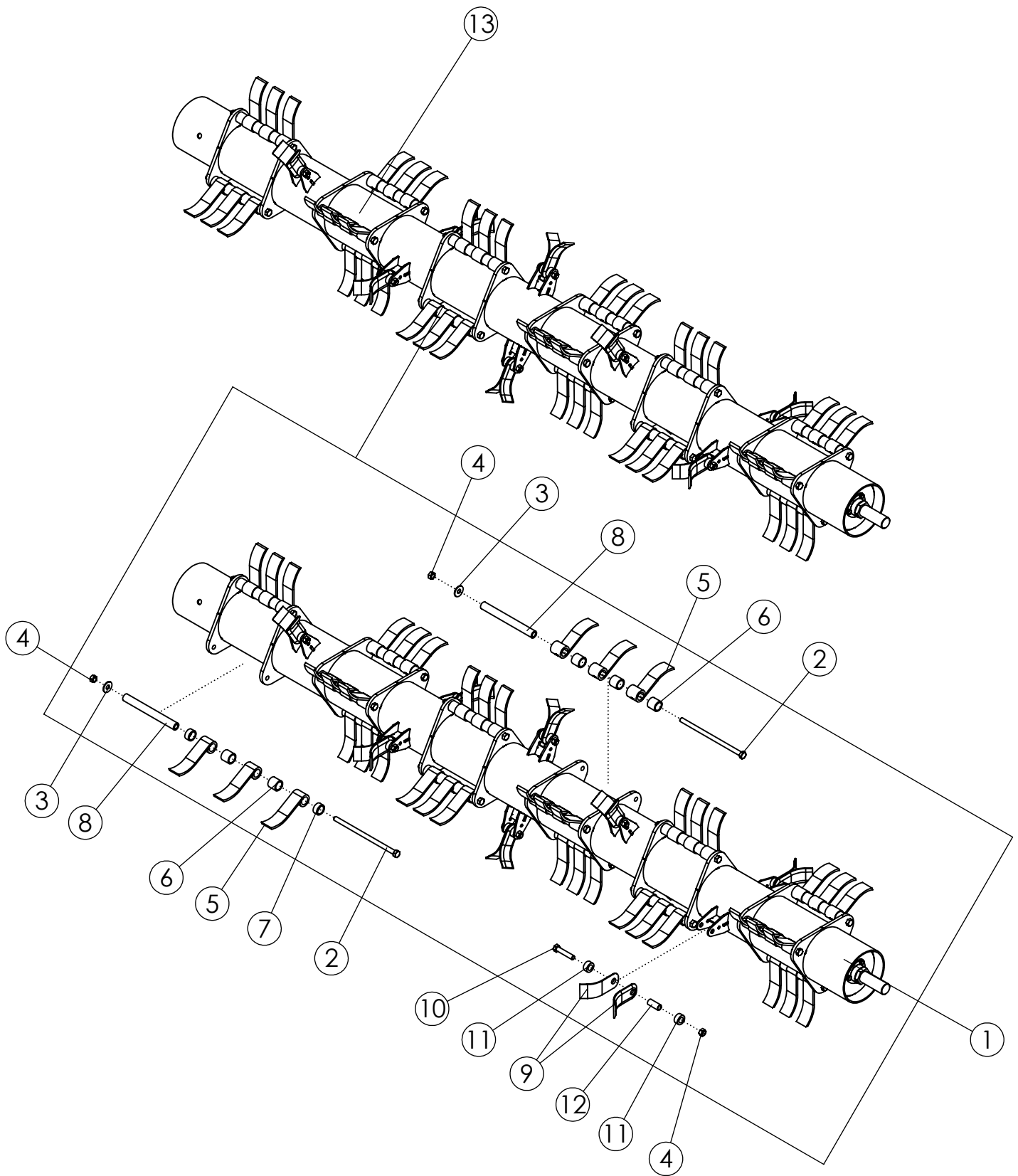
FRONT DRUM 6R22 STEEL L-KNIFE (59279)



FRONT DRUM 6R22 STEEL L-KNIFE (59279)

ITEM	PART NO.	DESCRIPTION	QTY
1	307530	WLDMT-STEEL FLAIL TUBE- 0622 8.5"	1
2	307236	FLAIL-STEEL 5.31" LONG	68
3	68427	BUSHING-L KNIFE	34
4	65825	BOLT-HEX: .63 X 3.25 NC GR5 ZP	34
5	1016595	NUT-TOPLOCK: .63 NC GR5 ZP	34
6	68426	SPACER-POLYURETHANE L KNIFE	68
7	307528	ASSY-DRUM L-FLAIL 8.5" 6R22 BAL	1

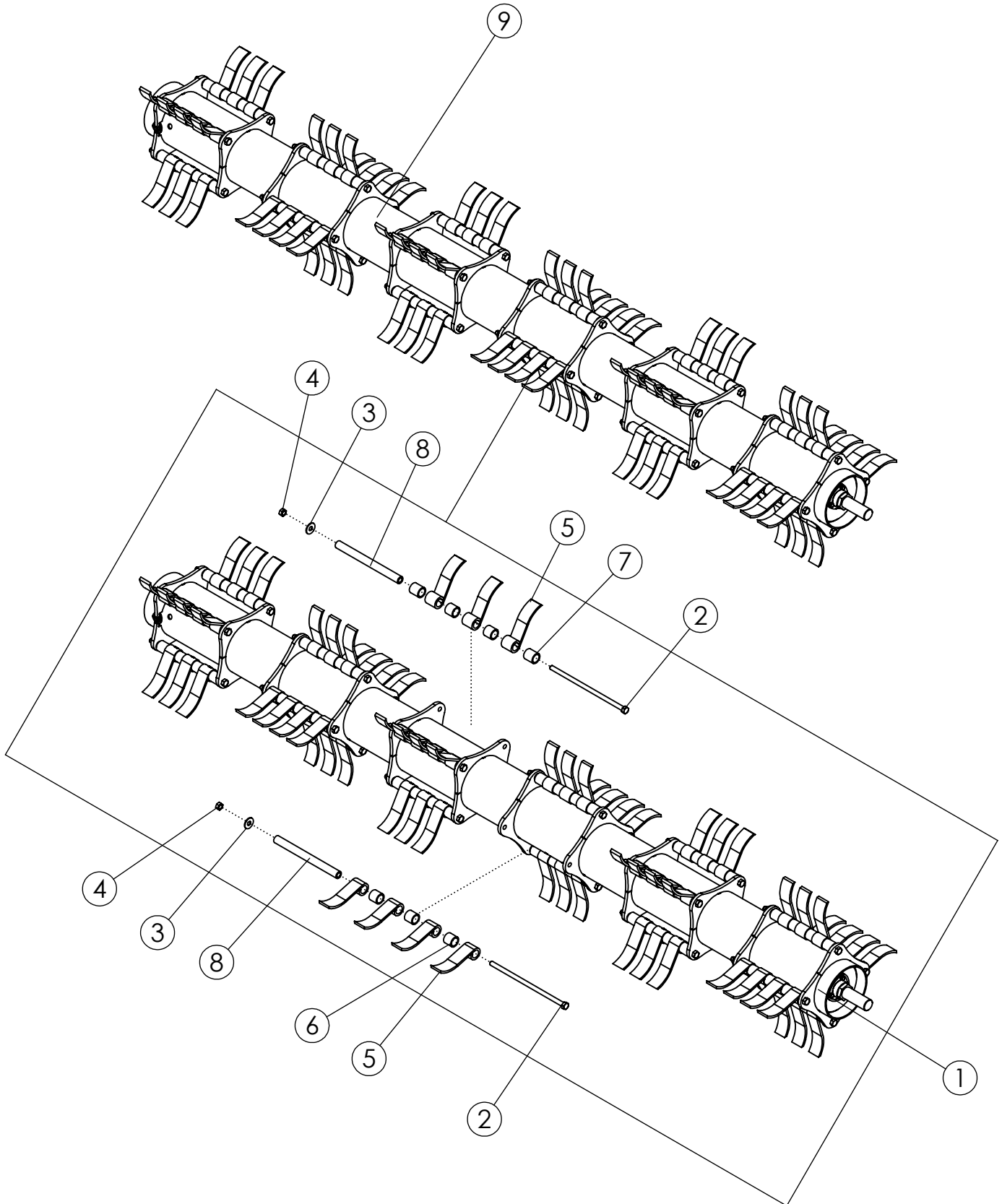
FRONT DRUM 6R22 STEEL FLAIL 3 PIN (306837)



FRONT DRUM 6R22 STEEL FLAIL 3 PIN (306837)

ITEM	PART NO.	DESCRIPTION	QTY
1	307396	WLDMT-STEEL FLAIL TUBE 0622	1
2	306767	BOLT-HEX: .63 X 12.50 NC GR8 ZP	18
3	1013024	WASHER-FLAT: .63 ZP	18
4	1016595	NUT-TOPLOCK: .63 NC GR5 ZP	28
5	307387	FLAIL-CUP 7.0" 1.25" EYE	54
6	307390	SPACER 1.45" LARGE- 1.25" EYE	48
7	307392	SPACER 0.725" LARGE	12
8	307389	BUSHING-FLAIL 10.50" 1.13" OD HT	18
9	307236	FLAIL-STEEL 5.31" LONG	20
10	65825	BOLT-HEX: .63 X 3.25 NC GR5 ZP	10
11	68426	SPACER-POLYURETHANE L KNIFE	20
12	68427	BUSHING-L KNIFE	10
13	307401	ASSY-DRUM CUP W/L 8.5"-1.25"EYE 3-PIN 6R22 BAL	1

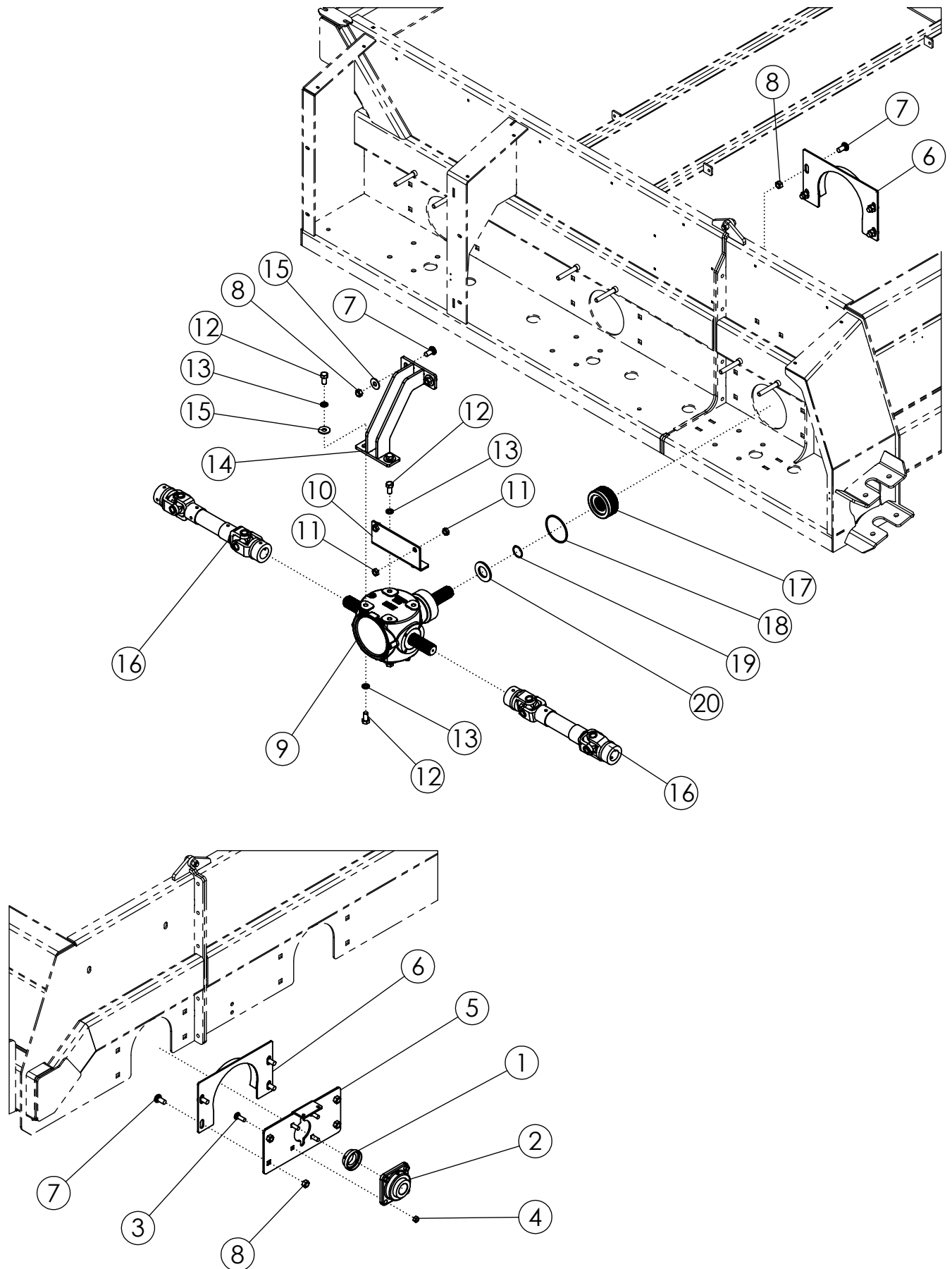
FRONT DRUM 6R24 STEEL FLAIL (307710)



FRONT DRUM 6R24 STEEL FLAIL (307710)

ITEM	PART NO.	DESCRIPTION	QTY
1	307704	WLDMT-STEEL FLAIL TUBE 0624	1
2	306766	BOLT-HEX: .63 X 14.875 NC GR8 ZP	24
3	1013024	WASHER-FLAT: .63 ZP	24
4	1016595	NUT-TOPLOCK: .63 NC GR5 ZP	24
5	307387	FLAIL-CUP 7.0" 1.25" EYE	84
6	307390	SPACER 1.45" LARGE- 1.25" EYE	60
7	307391	SPACER 1.70" LARGE- 1.25" EYE	24
8	307388	BUSHING-FLAIL 12.688" 1.13" OD HT	24
9	307702	ASSY-DRUM CUP OVER ROW 8.5"-1.25"EYE 4-PIN 6R24 BAL	1

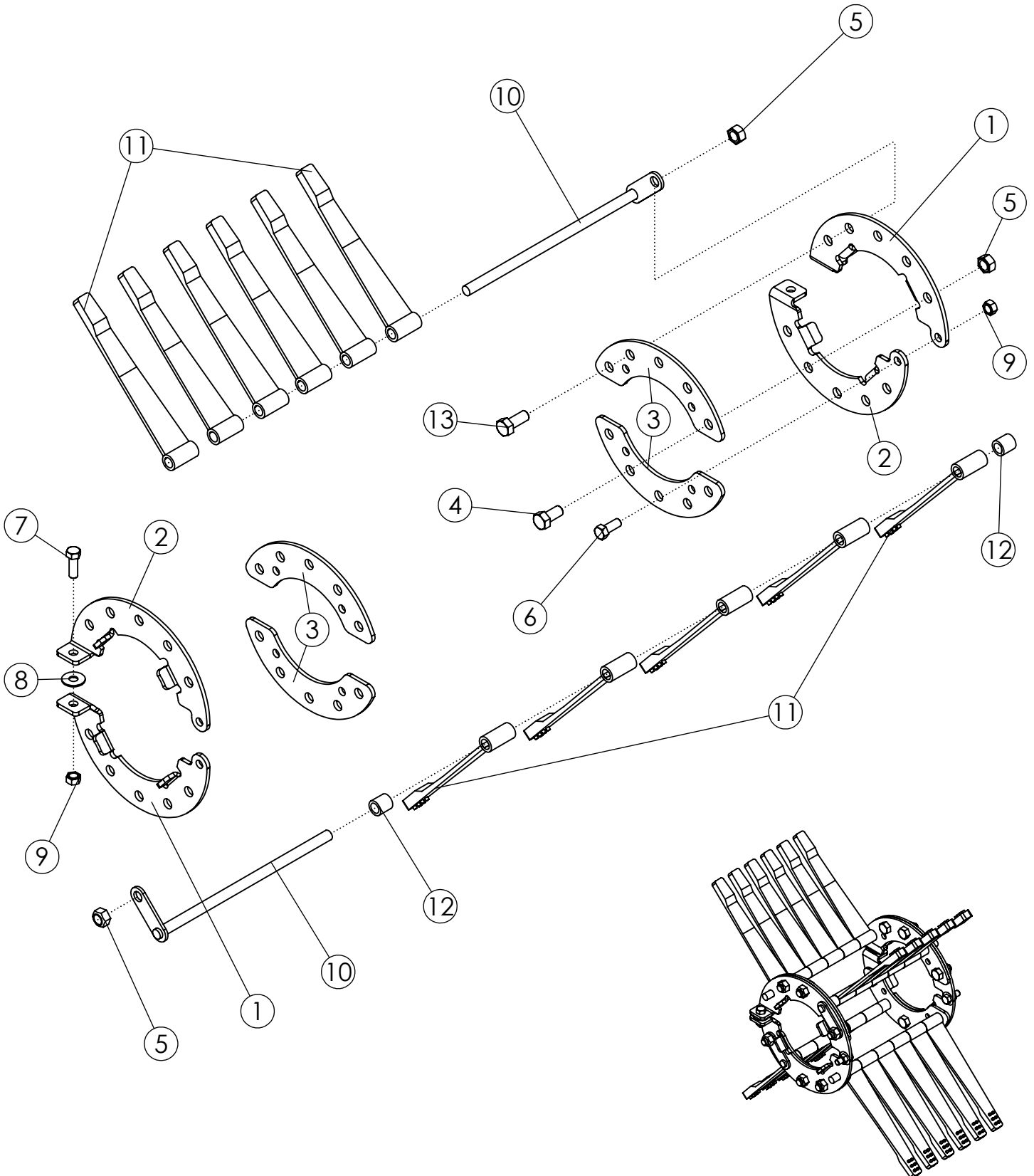
FRONT DRUM STEEL MOUNT (305306)



FRONT DRUM STEEL MOUNT (305306)

ITEM	PART NO.	DESCRIPTION	QTY
1	52382	SEAL PROTECTOR 1-3/4"	1
2	306999	ASSY-BEARING-FLANGE 1-3/4" N-SEAL (STEEL)	1
3	1011660	BOLT-CRG: .50 X 1.50 NC GR5 ZP	4
4	1027461	NUT-TOPLOCK: .50 NC GR5 ZP	4
5	307296	PLATE-DRUM BEARING MOUNT RED	1
6	307290	WLDMT-8.5" ANTI-WRAP NARROW	2
7	72063	BOLT-CRG: .63 X 1.50 NC GR5 ZP	10
8	1016595	NUT-TOPLOCK: .63 NC GR5 ZP	10
9	52379	GEARBOX 1:1.57 3WAY (BLACK)	1
10	305030	ANGLE-GEARBOX	1
11	1026259	NUT-JAM: .63 NC GR2 ZP	4
12	1030703	BOLT-HEX: .63 X 1.25 NF GR5 ZP	8
13	1011813	WASHER-LOCK: .63 ZP	8
14	305193	WLDMT-GEARBOX SUPPORT 6R	1
15	1013024	WASHER-FLAT: .63 ZP	4
16	52397	DRIVELINE-SIDE	2
17	68413	COUPLER-DRIVE	1
18	68414	O-RING-70 BUNA 4.1 X 2.1	1
19	64184	RING-RETAINING 1.750"	1
20	306388	RUBBER-FLAIL TUBE SPACER	1

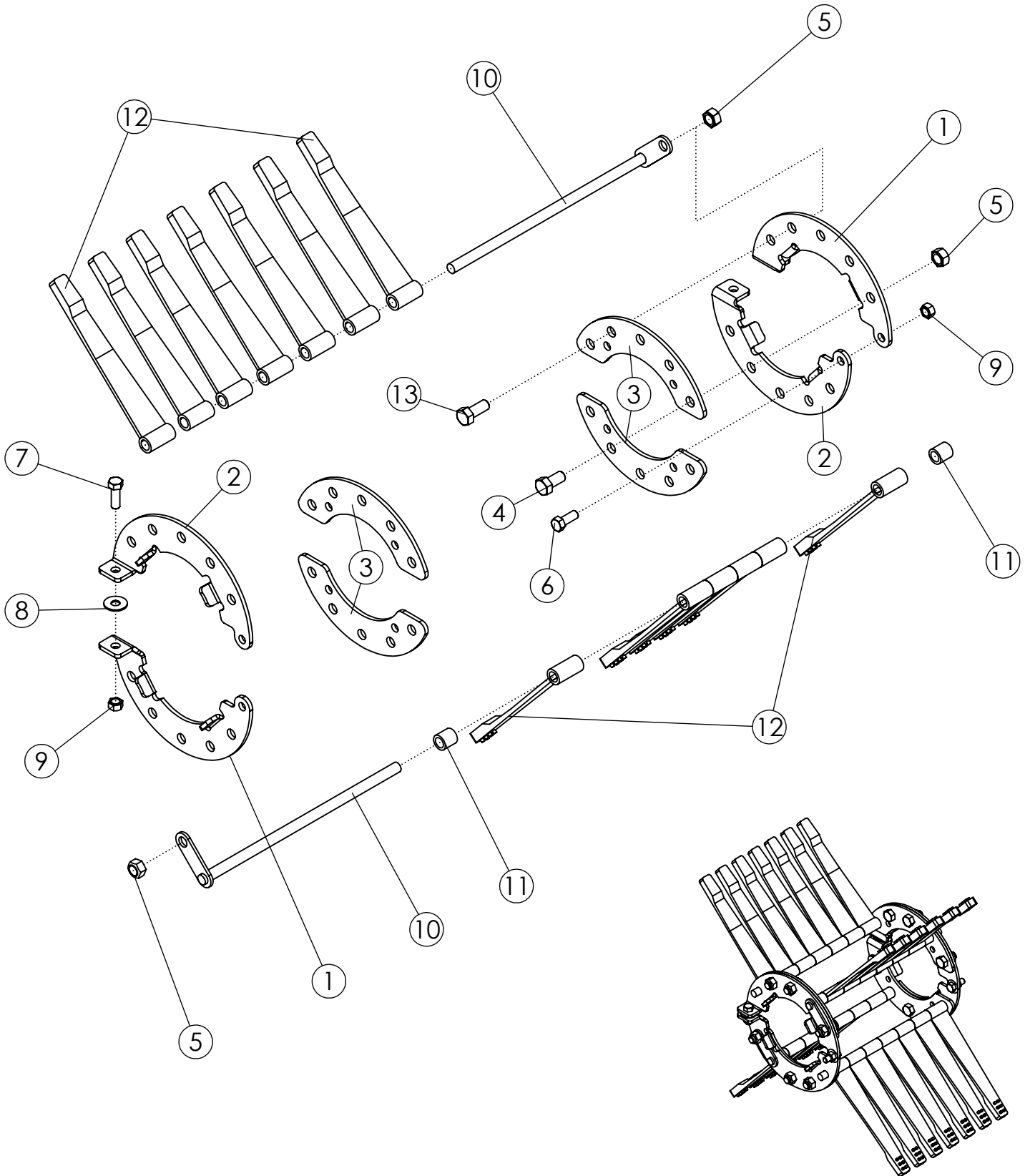
STUDED FLAIL #1 22" (52123)



STUDED FLAIL #1 22" (52123)

ITEM	PART NO.	DESCRIPTION	QTY
1	52062	FLAIL RING LH - ZP	2
2	52061	FLAIL RING RH - ZP	2
3	58084	PLATE-REINFORCEMENT ZP	4
4	1032509	BOLT-HEX: .63 X 1.25 NC GR5 ZP	8
5	1016595	NUT-TOPLOCK: .63 NC GR5 ZP	12
6	1011606	BOLT-HEX: .50 X 1.25 NC GR5 ZP	2
7	1011607	BOLT-HEX: .50 X 1.50 NC GR5 ZP	2
8	1014443	WASHER-FLAT: .50 ZP	2
9	1027461	NUT-TOPLOCK: .50 NC GR5 ZP	4
10	305557	WLDMT-6 FLAIL ROD 13.875" ZP	4
11	52356	FLAIL-STUDED 1 X 12	22
12	51549	SPACER-1"	4
13	1014349	BOLT-HEX: .63 X 1.50 NC GR5 ZP	4

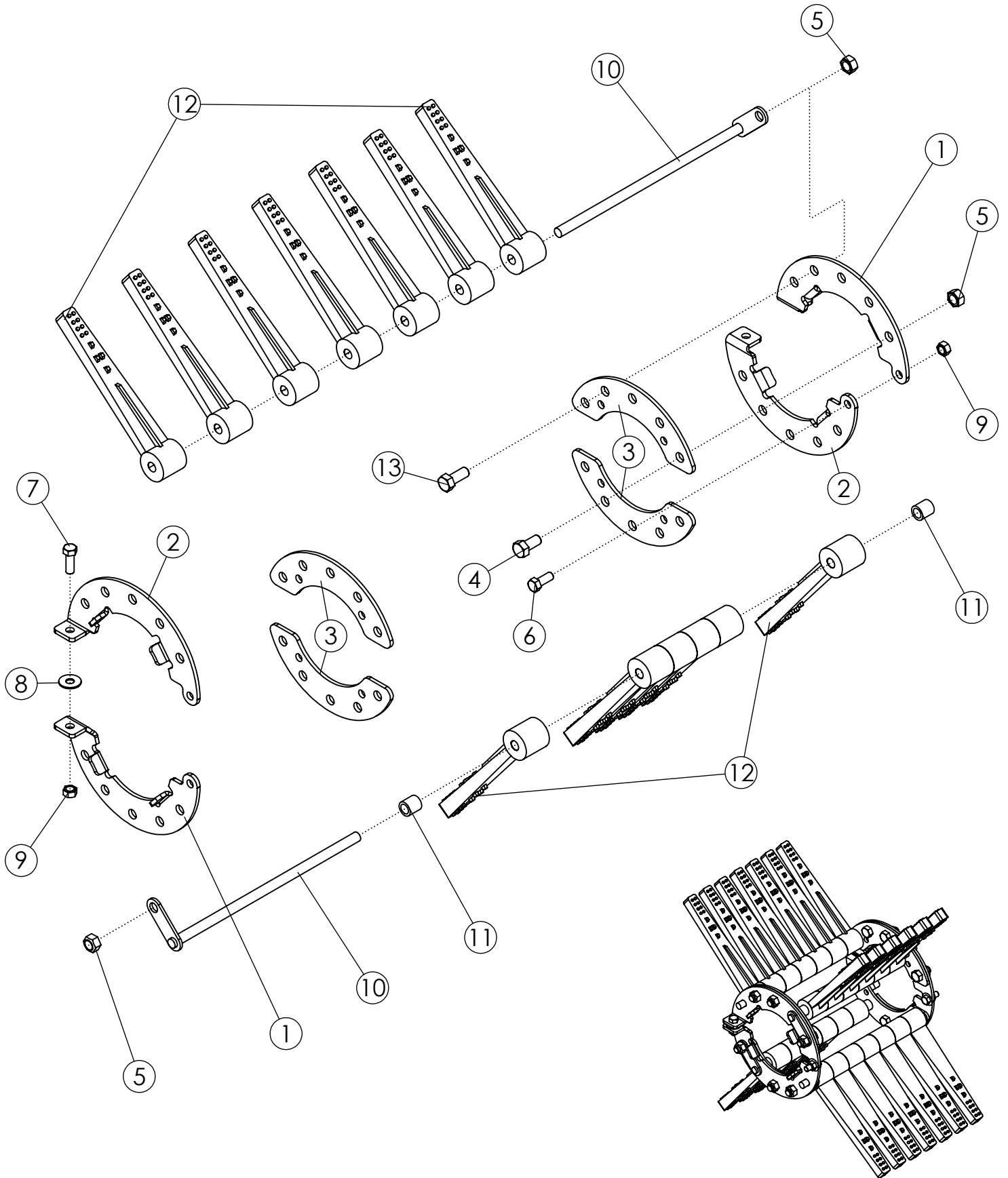
STUDED FLAIL #1 30" (52126)



STUDED FLAIL #1 30" (52126)

ITEM	PART NO.	DESCRIPTION	QTY
1	52062	FLAIL RING LH - ZP	2
2	52061	FLAIL RING RH - ZP	2
3	58084	PLATE-REINFORCEMENT ZP	4
4	1032509	BOLT-HEX: .63 X 1.25 NC GR5 ZP	8
5	1016595	NUT-TOPLOCK: .63 NC GR5 ZP	12
6	1011606	BOLT-HEX: .50 X 1.25 NC GR5 ZP	2
7	1011607	BOLT-HEX: .50 X 1.50 NC GR5 ZP	2
8	1014443	WASHER-FLAT: .50 ZP	2
9	1027461	NUT-TOPLOCK: .50 NC GR5 ZP	4
10	305556	WLDMT-6 FLAIL ROD 15.75" ZP	4
11	51549	SPACER-1"	4
12	52356	FLAIL-STUDED 1 X 12	26
13	1014349	BOLT-HEX: .63 X 1.50 NC GR5 ZP	4

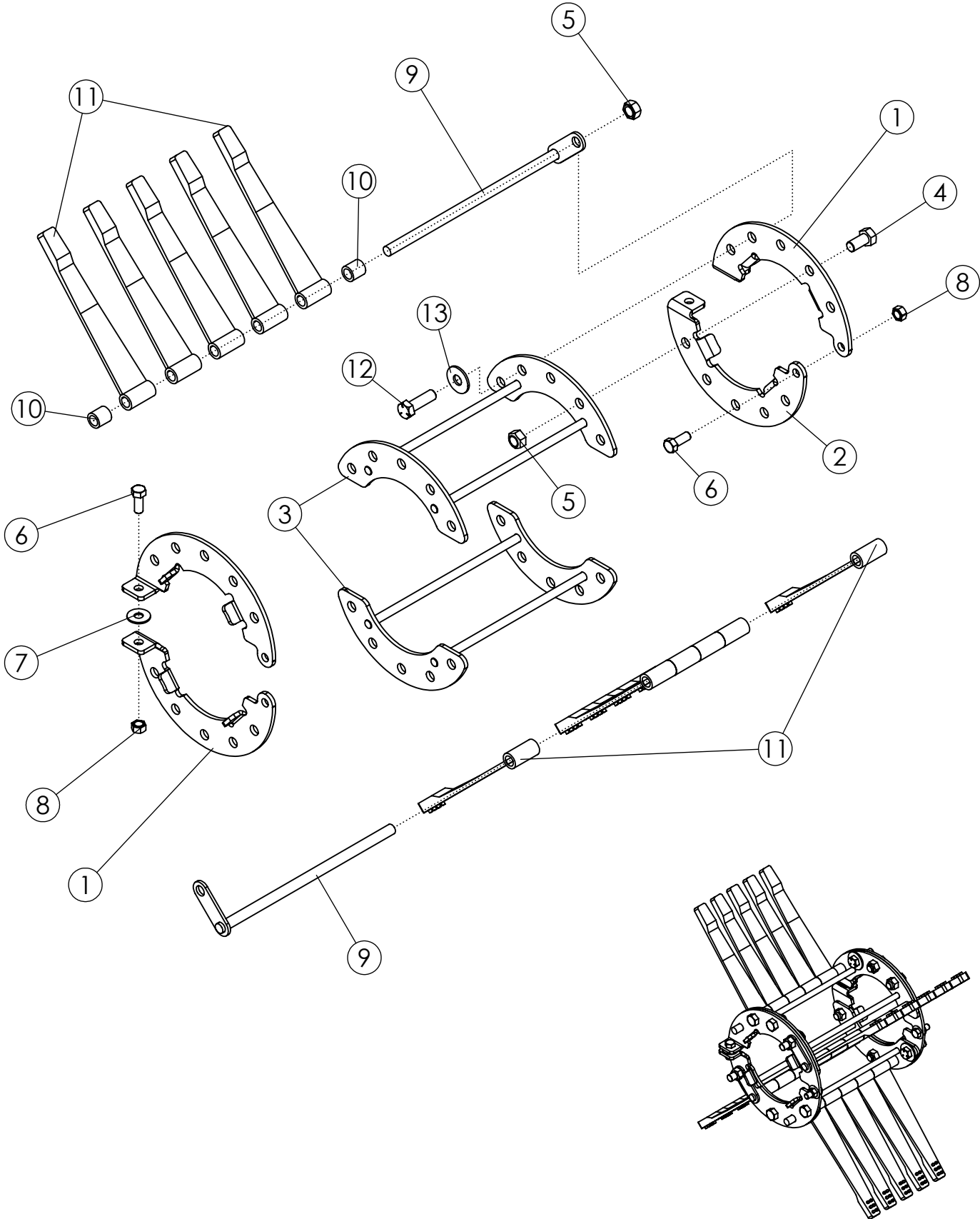
TAPERED FLAIL #1 30" (64327)



TAPERED FLAIL #1 30" (64327)

ITEM	PART NO.	DESCRIPTION	QTY
1	52062	FLAIL RING LH - ZP	2
2	52061	FLAIL RING RH - ZP	2
3	58084	PLATE-REINFORCEMENT ZP	4
4	1032509	BOLT-HEX: .63 X 1.25 NC GR5 ZP	8
5	1016595	NUT-TOPLOCK: .63 NC GR5 ZP	12
6	1011606	BOLT-HEX: .50 X 1.25 NC GR5 ZP	2
7	1011607	BOLT-HEX: .50 X 1.50 NC GR5 ZP	2
8	1014443	WASHER-FLAT: .50 ZP	2
9	1027461	NUT-TOPLOCK: .50 NC GR5 ZP	4
10	305556	WLDMT-6 FLAIL ROD 15.75" ZP	4
11	51549	SPACER-1"	4
12	307259	FLAIL-RUBBER 1 X 12 TAPERED	26
13	1014349	BOLT-HEX: .63 X 1.50 NC GR5 ZP	4

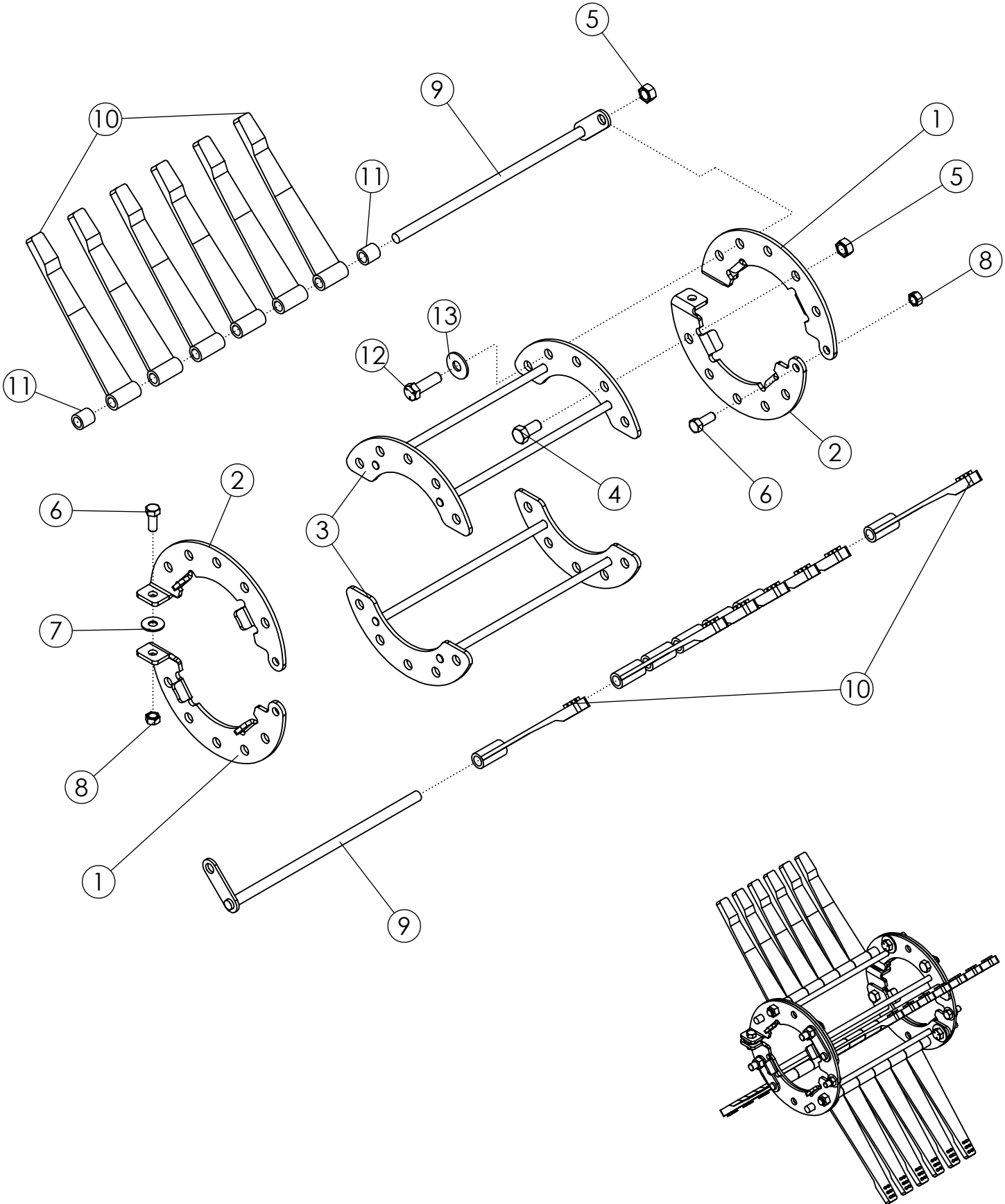
STUDED FLAIL #1 22" REVERSE (58542)



STUDED FLAIL #1 22" REVERSE (58542)

ITEM	PART NO.	DESCRIPTION	QTY
1	52062	FLAIL RING LH - ZP	2
2	52061	FLAIL RING RH - ZP	2
3	58167	WLDMT-FRONT BAIL	2
4	1032509	BOLT-HEX: .63 X 1.25 NC GR5 ZP	8
5	1016595	NUT-TOPLOCK: .63 NC GR5 ZP	12
6	1011606	BOLT-HEX: .50 X 1.25 NC GR5 ZP	4
7	1014443	WASHER-FLAT: .50 ZP	2
8	1027461	NUT-TOPLOCK: .50 NC GR5 ZP	4
9	305557	WLDMT-6 FLAIL ROD 13.875" ZP	4
10	51549	SPACER-1"	4
11	52356	FLAIL-STUDED 1 X 12	22
12	1011623	BOLT-HEX: .63 X 2.00 NC GR5 ZP	4
13	1013024	WASHER-FLAT: .63 ZP	4

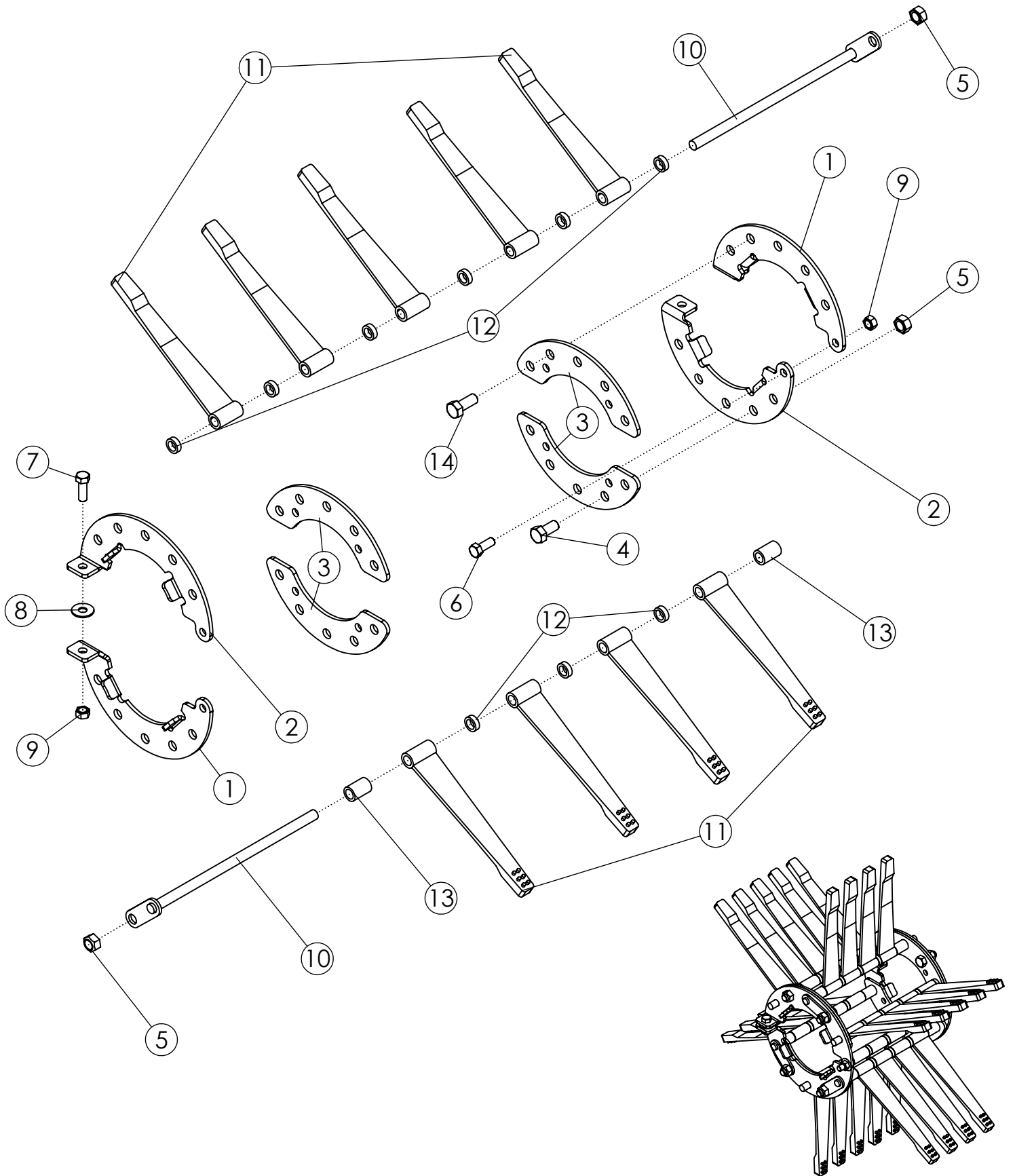
STUDED FLAIL #1 30" REVERSE (58543)



STUDED FLAIL #1 30" REVERSE (58543)

ITEM	PART NO.	DESCRIPTION	QTY
1	52062	FLAIL RING LH - ZP	2
2	52061	FLAIL RING RH - ZP	2
3	62254	WLDMT-FRONT BAIL	2
4	1032509	BOLT-HEX: .63 X 1.25 NC GR5 ZP	4
5	1016595	NUT-TOPLOCK: .63 NC GR5 ZP	8
6	1011606	BOLT-HEX: .50 X 1.25 NC GR5 ZP	4
7	1014443	WASHER-FLAT: .50 ZP	2
8	1027461	NUT-TOPLOCK: .50 NC GR5 ZP	4
9	305556	WLDMT-6 FLAIL ROD 15.75" ZP	4
10	52356	FLAIL-STUDED 1 X 12	26
11	51549	SPACER-1"	4
12	1011623	BOLT-HEX: .63 X 2.00 NC GR5 ZP	4
13	1013024	WASHER-FLAT: .63 ZP	4

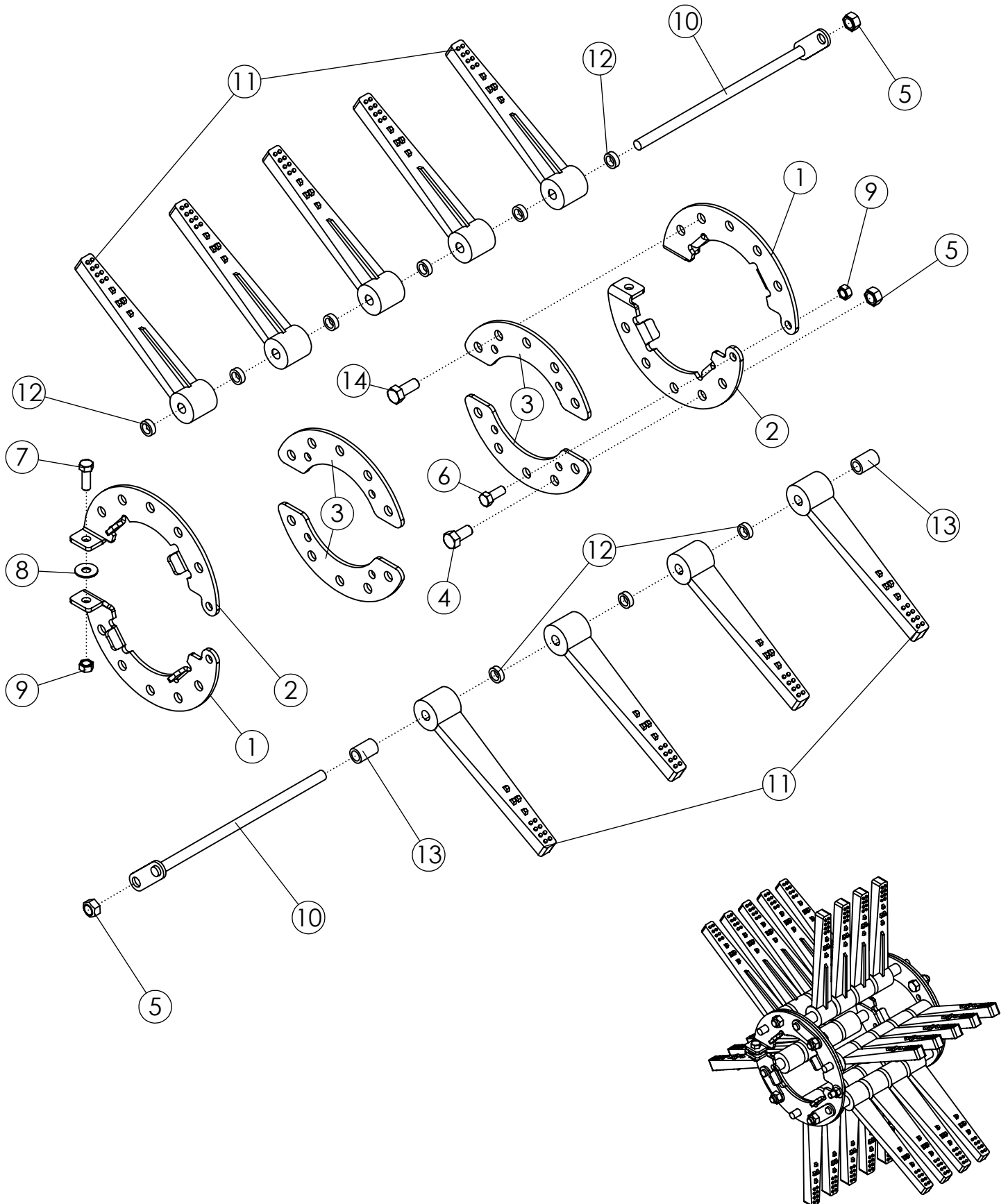
STUDED FLAIL #2 22" (52124)



STUDED FLAIL #2 22" (52124)

ITEM	PART NO.	DESCRIPTION	QTY
1	52062	FLAIL RING LH - ZP	2
2	52061	FLAIL RING RH - ZP	2
3	58084	PLATE-REINFORCEMENT ZP	4
4	1032509	BOLT-HEX: .63 X 1.25 NC GR5 ZP	2
5	1016595	NUT-TOPLOCK: .63 NC GR5 ZP	8
6	1011606	BOLT-HEX: .50 X 1.25 NC GR5 ZP	2
7	1011607	BOLT-HEX: .50 X 1.50 NC GR5 ZP	2
8	1014443	WASHER-FLAT: .50 ZP	2
9	1027461	NUT-TOPLOCK: .50 NC GR5 ZP	4
10	305557	WLDMT-6 FLAIL ROD 13.875" ZP	6
11	52356	FLAIL-STUDED 1 X 12	27
12	51547	SPACER-5/16"	27
13	51548	SPACER 1-7/16"	6
14	1014349	BOLT-HEX: .63 X 1.50 NC GR5 ZP	6

TAPERED FLAIL #2 22" (64046)



TAPERED FLAIL #2 22" (64046)

ITEM	PART NO.	DESCRIPTION	QTY
1	52062	FLAIL RING LH - ZP	2
2	52061	FLAIL RING RH - ZP	2
3	58084	PLATE-REINFORCEMENT ZP	4
4	1032509	BOLT-HEX: .63 X 1.25 NC GR5 ZP	2
5	1016595	NUT-TOPLOCK: .63 NC GR5 ZP	8
6	1011606	BOLT-HEX: .50 X 1.25 NC GR5 ZP	2
7	1011607	BOLT-HEX: .50 X 1.50 NC GR5 ZP	2
8	1014443	WASHER-FLAT: .50 ZP	2
9	1027461	NUT-TOPLOCK: .50 NC GR5 ZP	4
10	305557	WLDMT-6 FLAIL ROD 13.875" ZP	6
11	307259	FLAIL-RUBBER 1 X 12 TAPERED	27
12	51547	SPACER-5/16"	27
13	51548	SPACER 1-7/16"	6
14	1014349	BOLT-HEX: .63 X 1.50 NC GR5 ZP	6

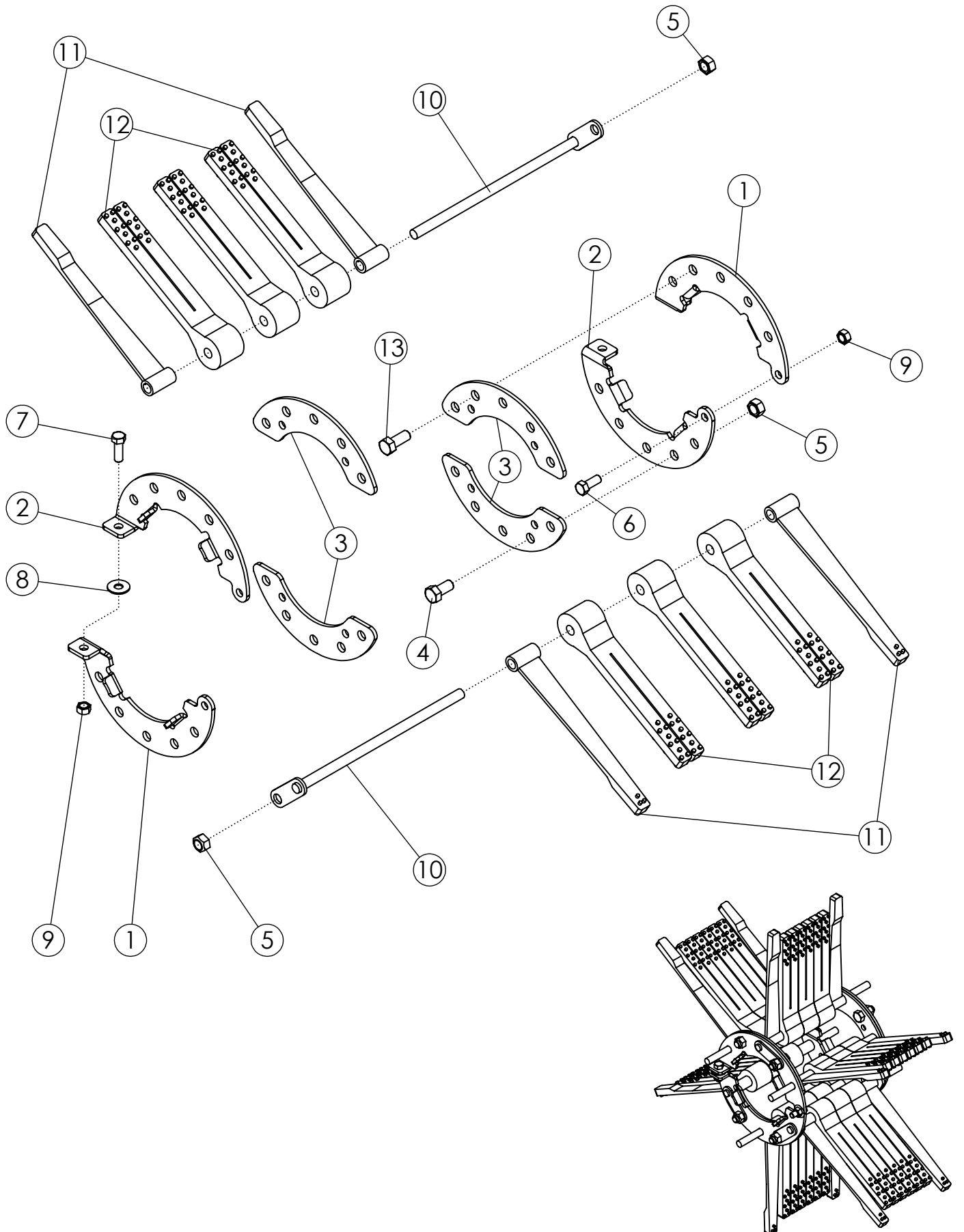
STUDED FLAIL #2 30" (52127)

ITEM	PART NO.	DESCRIPTION	QTY
1	52062	FLAIL RING LH - ZP	2
2	52061	FLAIL RING RH - ZP	2
3	58084	PLATE-REINFORCEMENT ZP	4
4	1032509	BOLT-HEX: .63 X 1.25 NC GR5 ZP	2
5	1016595	NUT-TOPLOCK: .63 NC GR5 ZP	8
6	1011606	BOLT-HEX: .50 X 1.25 NC GR5 ZP	2
7	1011607	BOLT-HEX: .50 X 1.50 NC GR5 ZP	2
8	1014443	WASHER-FLAT: .50 ZP	2
9	1027461	NUT-TOPLOCK: .50 NC GR5 ZP	4
10	305556	WLDMT-6 FLAIL ROD 15.75" ZP	6
11	52356	FLAIL-STUDED 1 X 12	33
12	51547	SPACER-5/16"	33
13	51548	SPACER 1-7/16"	6
14	1014349	BOLT-HEX: .63 X 1.50 NC GR5 ZP	6

TAPERED FLAIL #2 30" (64328)

ITEM	PART NO.	DESCRIPTION	QTY
1	52062	FLAIL RING LH - ZP	2
2	52061	FLAIL RING RH - ZP	2
3	58084	PLATE-REINFORCEMENT ZP	4
4	1032509	BOLT-HEX: .63 X 1.25 NC GR5 ZP	2
5	1016595	NUT-TOPLOCK: .63 NC GR5 ZP	8
6	1011606	BOLT-HEX: .50 X 1.25 NC GR5 ZP	2
7	1011607	BOLT-HEX: .50 X 1.50 NC GR5 ZP	1
8	1014443	WASHER-FLAT: .50 ZP	1
9	1027461	NUT-TOPLOCK: .50 NC GR5 ZP	3
10	305556	WLDMT-6 FLAIL ROD 15.75" ZP	6
11	307259	FLAIL-RUBBER 1 X 12 TAPERED	33
12	51547	SPACER-5/16"	33
13	51548	SPACER 1-7/16"	6
14	1014349	BOLT-HEX: .63 X 1.50 NC GR5 ZP	6

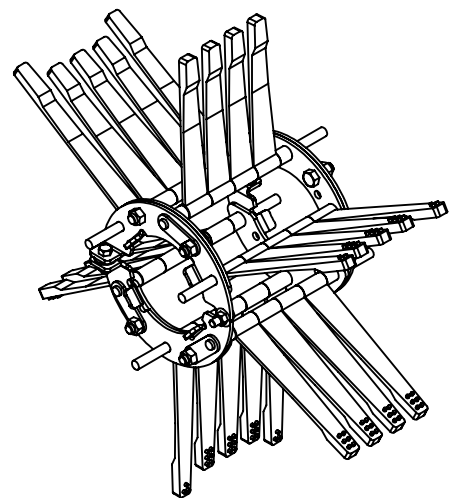
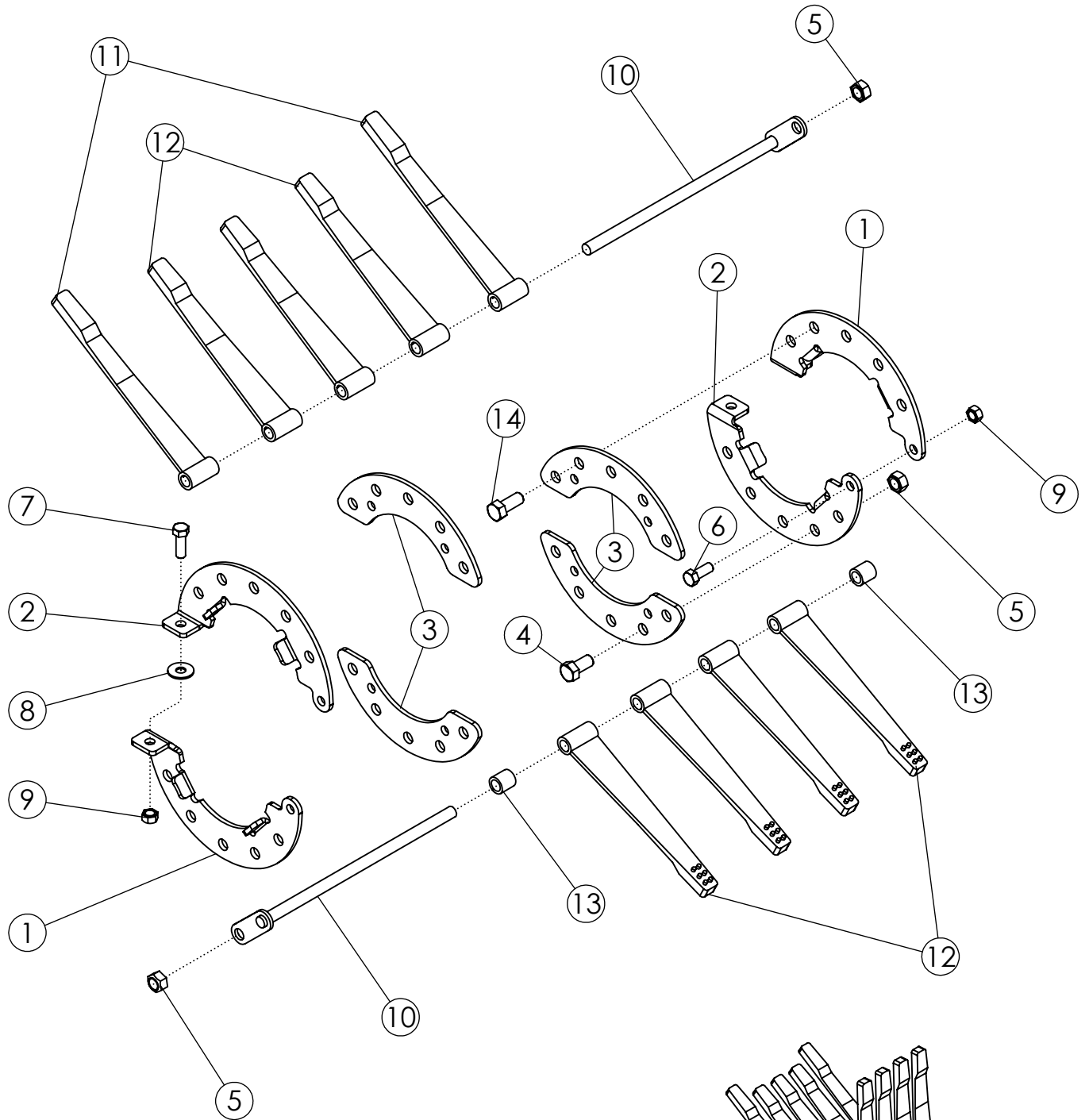
SWEEP/SPLIT FLAIL #3 22" (52125)



SWEEP/SPLIT FLAIL #3 22" (52125)

ITEM	PART NO.	DESCRIPTION	QTY
1	52062	FLAIL RING LH - ZP	2
2	52061	FLAIL RING RH - ZP	2
3	58084	PLATE-REINFORCEMENT ZP	4
4	1032509	BOLT-HEX: .63 X 1.25 NC GR5 ZP	2
5	1016595	NUT-TOPLOCK: .63 NC GR5 ZP	8
6	1011606	BOLT-HEX: .50 X 1.25 NC GR5 ZP	2
7	1011607	BOLT-HEX: .50 X 1.50 NC GR5 ZP	2
8	1014443	WASHER-FLAT: .50 ZP	2
9	1027461	NUT-TOPLOCK: .50 NC GR5 ZP	4
10	305557	WLDMT-6 FLAIL ROD 13.875" ZP	6
11	52355	FLAIL-SWEEP 1 X 13.25	12
12	58255	FLAIL-SPLIT TAPER 2 X 12	18
13	1014349	BOLT-HEX: .63 X 1.50 NC GR5 ZP	6

SWEEP/STUDED FLAIL #3 22" (64319)



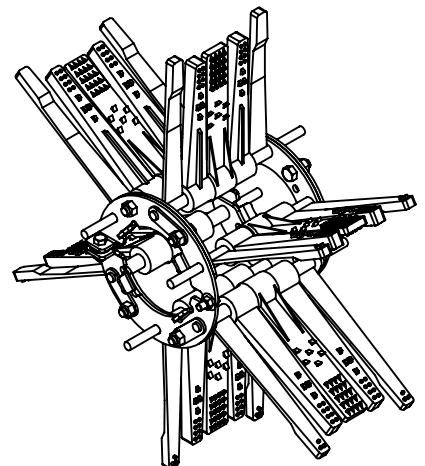
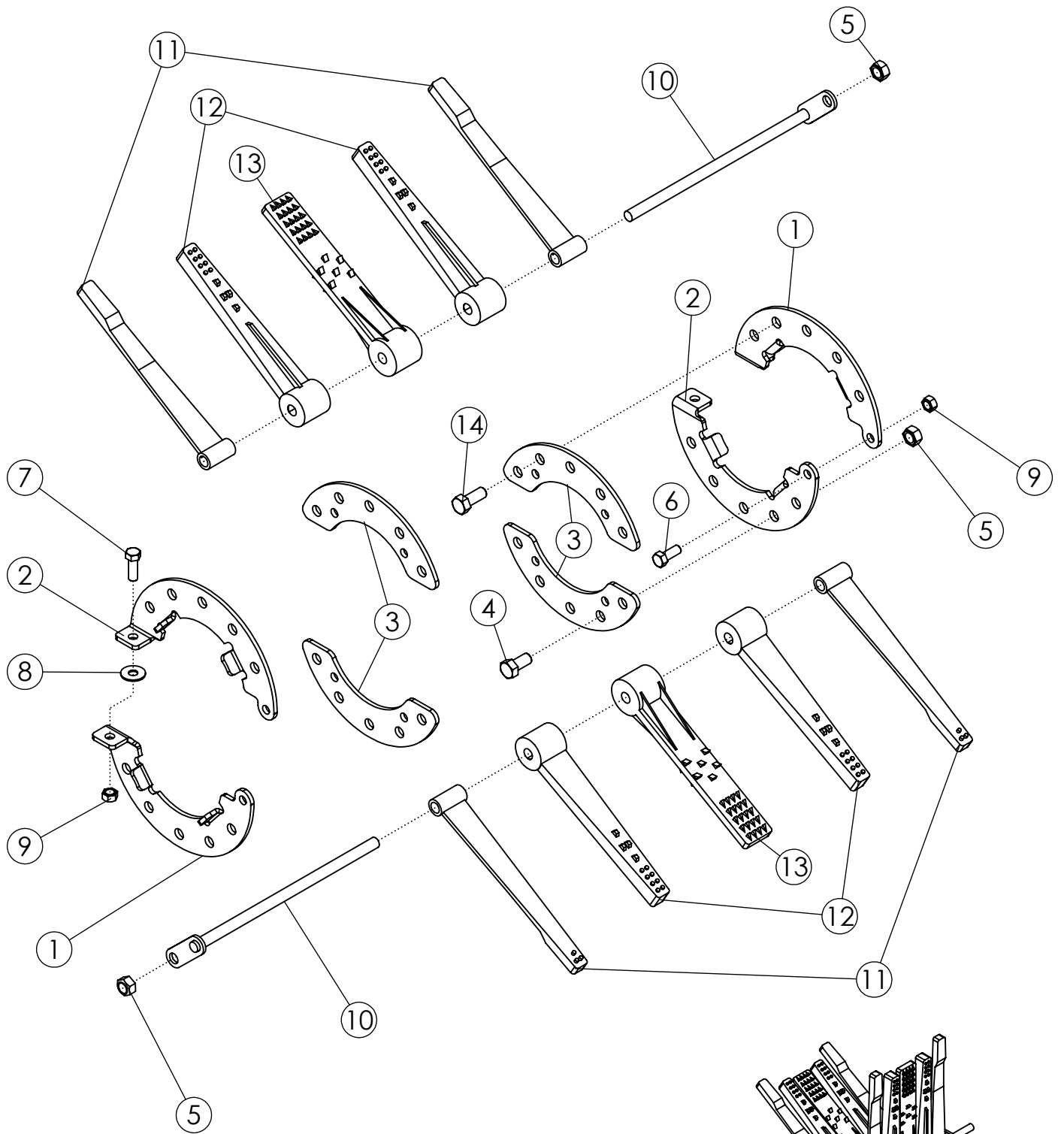
SWEEP/STUDED FLAIL #3 22" (64319)

ITEM	PART NO.	DESCRIPTION	QTY
1	52062	FLAIL RING LH - ZP	2
2	52061	FLAIL RING RH - ZP	2
3	58084	PLATE-REINFORCEMENT ZP	4
4	1032509	BOLT-HEX: .63 X 1.25 NC GR5 ZP	2
5	1016595	NUT-TOPLOCK: .63 NC GR5 ZP	8
6	1011606	BOLT-HEX: .50 X 1.25 NC GR5 ZP	2
7	1011607	BOLT-HEX: .50 X 1.50 NC GR5 ZP	2
8	1014443	WASHER-FLAT: .50 ZP	2
9	1027461	NUT-TOPLOCK: .50 NC GR5 ZP	4
10	305557	WLDMT-6 FLAIL ROD 13.875" ZP	6
11	52355	FLAIL-SWEEP 1 X 13.25	6
12	52356	FLAIL-STUDED 1 X 12	21
13	51549	SPACER-1"	6
14	1014349	BOLT-HEX: .63 X 1.50 NC GR5 ZP	6

SWEEP/TAPERED FLAIL #3 22" (68920)

ITEM	PART NO.	DESCRIPTION	QTY
1	52062	FLAIL RING LH - ZP	2
2	52061	FLAIL RING RH - ZP	2
3	58084	PLATE-REINFORCEMENT ZP	4
4	1032509	BOLT-HEX: .63 X 1.25 NC GR5 ZP	2
5	1016595	NUT-TOPLOCK: .63 NC GR5 ZP	8
6	1011606	BOLT-HEX: .50 X 1.25 NC GR5 ZP	2
7	1011607	BOLT-HEX: .50 X 1.50 NC GR5 ZP	2
8	1014443	WASHER-FLAT: .50 ZP	2
9	1027461	NUT-TOPLOCK: .50 NC GR5 ZP	4
10	305557	WLDMT-6 FLAIL ROD 13.875" ZP	6
11	52355	FLAIL-SWEEP 1 X 13.25	6
12	307259	FLAIL-RUBBER 1 X 12 TAPERED	21
13	51549	SPACER-1"	6
14	1014349	BOLT-HEX: .63 X 1.50 NC GR5 ZP	6

SWEEP/TAPERED/2" FLAIL #3 22" (69413)



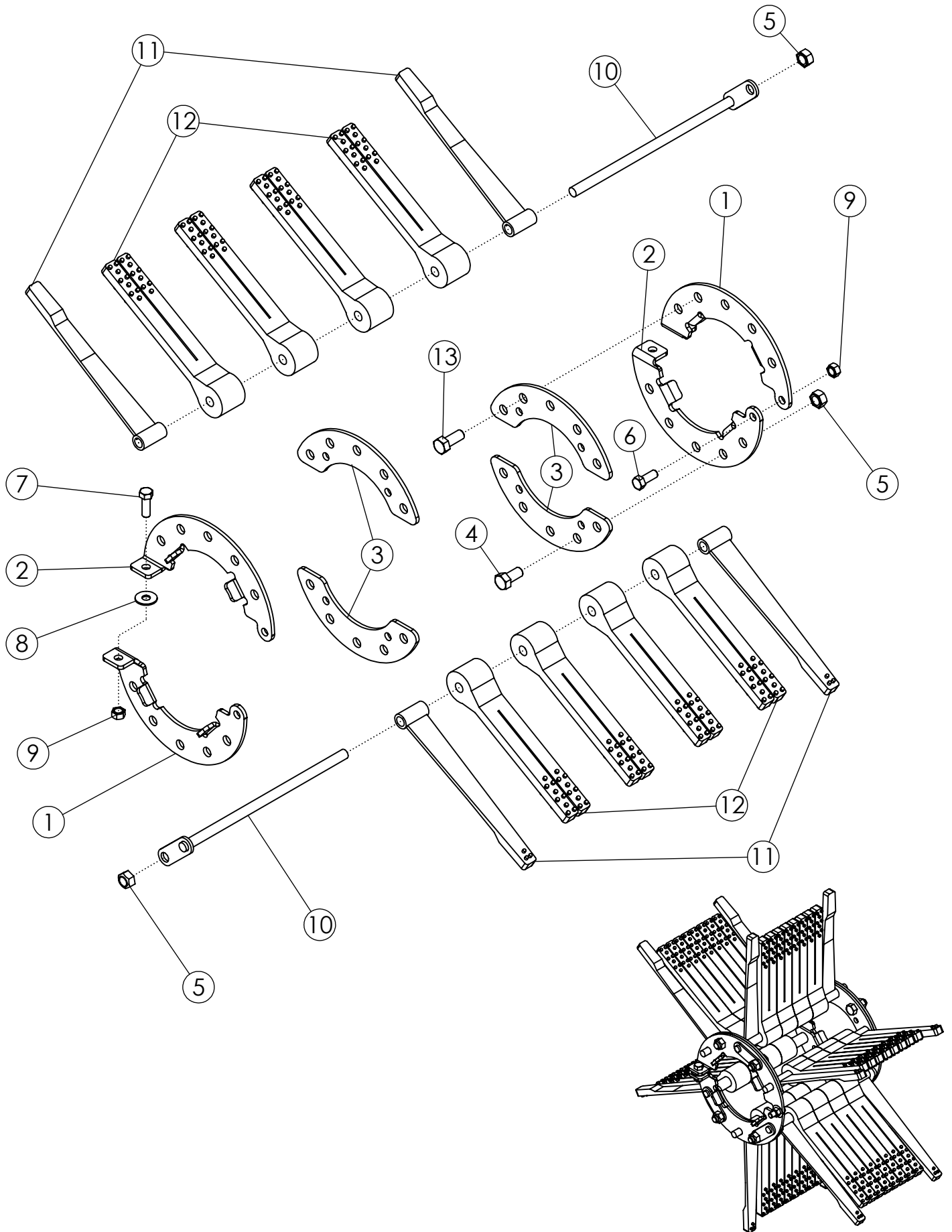
SWEEP/TAPERED/2" FLAIL #3 22" (69413)

ITEM	PART NO.	DESCRIPTION	QTY
1	52062	FLAIL RING LH - ZP	2
2	52061	FLAIL RING RH - ZP	2
3	58084	PLATE-REINFORCEMENT ZP	4
4	1032509	BOLT-HEX: .63 X 1.25 NC GR5 ZP	2
5	1016595	NUT-TOPLOCK: .63 NC GR5 ZP	8
6	1011606	BOLT-HEX: .50 X 1.25 NC GR5 ZP	2
7	1011607	BOLT-HEX: .50 X 1.50 NC GR5 ZP	2
8	1014443	WASHER-FLAT: .50 ZP	2
9	1027461	NUT-TOPLOCK: .50 NC GR5 ZP	4
10	305557	WLDMT-6 FLAIL ROD 13.875" ZP	6
11	52355	FLAIL-SWEEP 1 X 13.25	12
12	307259	FLAIL-RUBBER 1 X 12 TAPERED	12
13	307261	FLAIL-RUBBER 2 X 12	6
14	1014349	BOLT-HEX: .63 X 1.50 NC GR5 ZP	6

LONG SWEEP/TAPERED/2" FLAIL #3 22" (69555)

ITEM	PART NO.	DESCRIPTION	QTY
1	52062	FLAIL RING LH - ZP	2
2	52061	FLAIL RING RH - ZP	2
3	58084	PLATE-REINFORCEMENT ZP	4
4	1032509	BOLT-HEX: .63 X 1.25 NC GR5 ZP	2
5	1016595	NUT-TOPLOCK: .63 NC GR5 ZP	8
6	1011606	BOLT-HEX: .50 X 1.25 NC GR5 ZP	2
7	1011607	BOLT-HEX: .50 X 1.50 NC GR5 ZP	2
8	1014443	WASHER-FLAT: .50 ZP	2
9	1027461	NUT-TOPLOCK: .50 NC GR5 ZP	4
10	305557	WLDMT-6 FLAIL ROD 13.875" ZP	6
11	307260	FLAIL-RUBBER 1.5 X 14" SWEEP	12
12	307259	FLAIL-RUBBER 1 X 12 TAPERED	12
13	307261	FLAIL-RUBBER 2 X 12	6
14	1014349	BOLT-HEX: .63 X 1.50 NC GR5 ZP	6

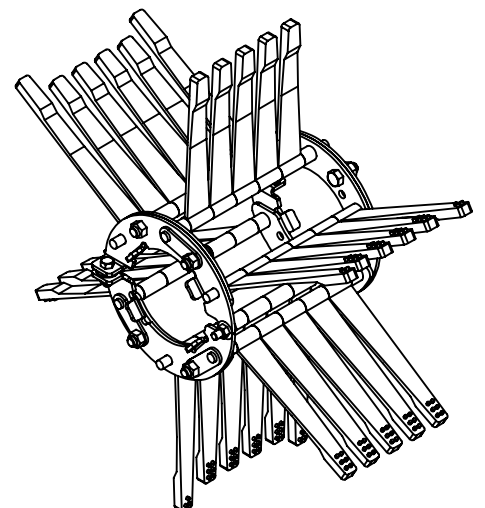
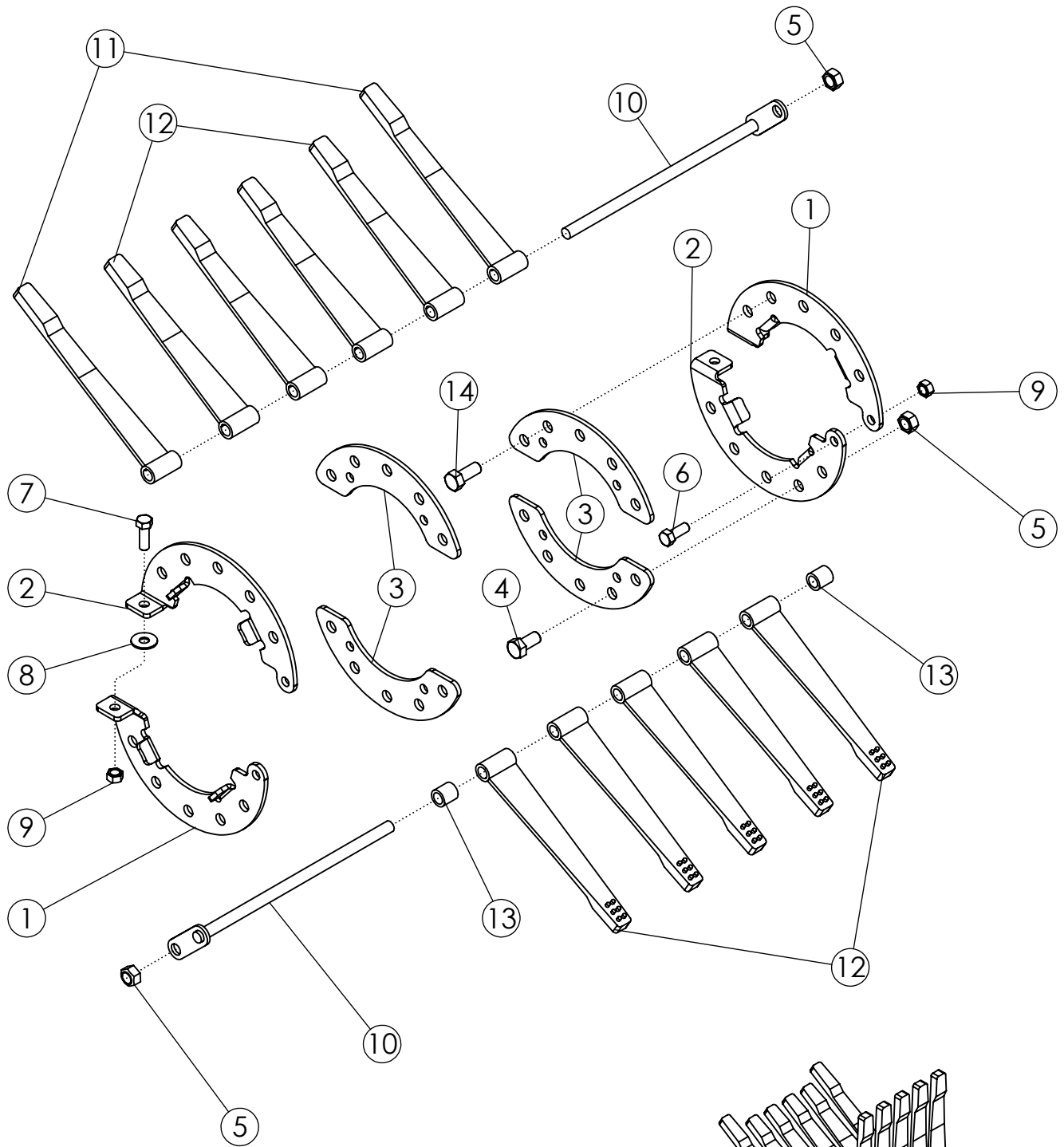
SWEEP/SPLIT FLAIL #3 30" (52128)



SWEEP/SPLIT FLAIL #3 30" (52128)

ITEM	PART NO.	DESCRIPTION	QTY
1	52062	FLAIL RING LH - ZP	2
2	52061	FLAIL RING RH - ZP	2
3	58084	PLATE-REINFORCEMENT ZP	4
4	1032509	BOLT-HEX: .63 X 1.25 NC GR5 ZP	2
5	1016595	NUT-TOPLOCK: .63 NC GR5 ZP	8
6	1011606	BOLT-HEX: .50 X 1.25 NC GR5 ZP	2
7	1011607	BOLT-HEX: .50 X 1.50 NC GR5 ZP	2
8	1014443	WASHER-FLAT: .50 ZP	2
9	1027461	NUT-TOPLOCK: .50 NC GR5 ZP	4
10	305557	WLDMT-6 FLAIL ROD 13.875" ZP	6
11	52355	FLAIL-SWEEP 1 X 13.25	12
12	58255	FLAIL-SPLIT TAPER 2 X 12	24
13	1014349	BOLT-HEX: .63 X 1.50 NC GR5 ZP	6

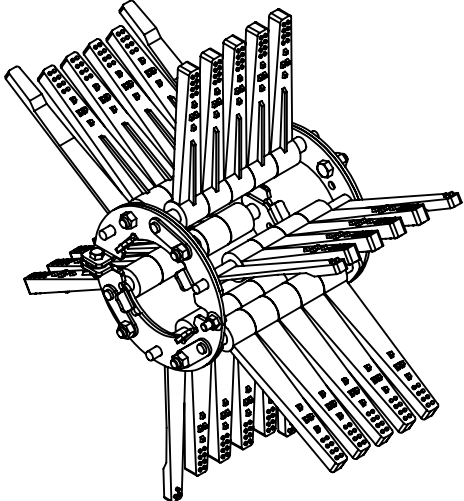
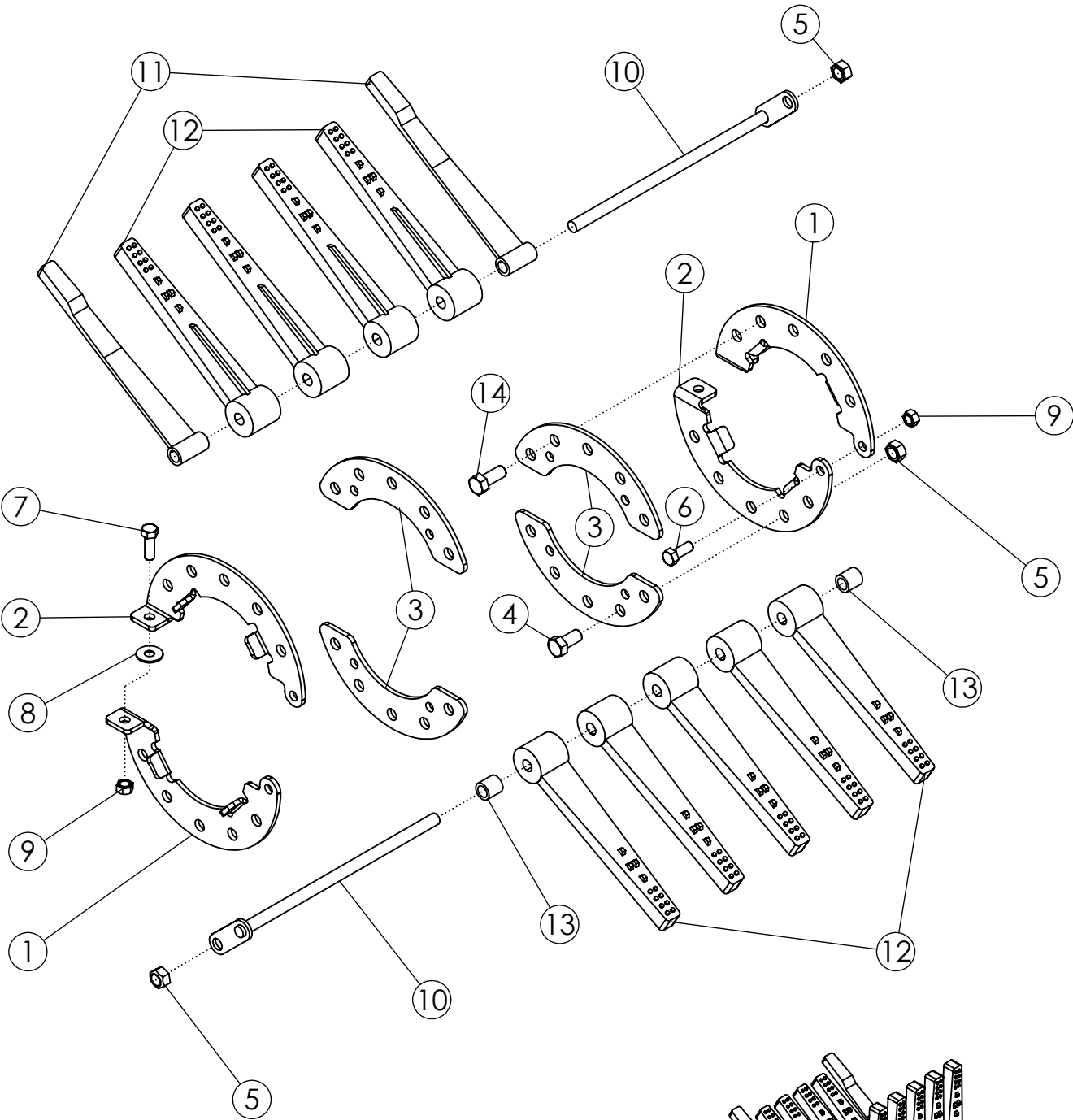
SWEEP/STUDED FLAIL #3 30" (69853)



SWEEP/STUDED FLAIL #3 30" (69853)

ITEM	PART NO.	DESCRIPTION	QTY
1	52062	FLAIL RING LH - ZP	2
2	52061	FLAIL RING RH - ZP	2
3	58084	PLATE-REINFORCEMENT ZP	4
4	1032509	BOLT-HEX: .63 X 1.25 NC GR5 ZP	2
5	1016595	NUT-TOPLOCK: .63 NC GR5 ZP	8
6	1011606	BOLT-HEX: .50 X 1.25 NC GR5 ZP	2
7	1011607	BOLT-HEX: .50 X 1.50 NC GR5 ZP	2
8	1014443	WASHER-FLAT: .50 ZP	2
9	1027461	NUT-TOPLOCK: .50 NC GR5 ZP	4
10	305557	WLDMT-6 FLAIL ROD 13.875" ZP	6
11	52355	FLAIL-SWEEP 1 X 13.25	6
12	52356	FLAIL-STUDED 1 X 12	27
13	51549	SPACER-1"	6
14	1014349	BOLT-HEX: .63 X 1.50 NC GR5 ZP	6

SWEEP/TAPERED FLAIL #3 30" (68796)



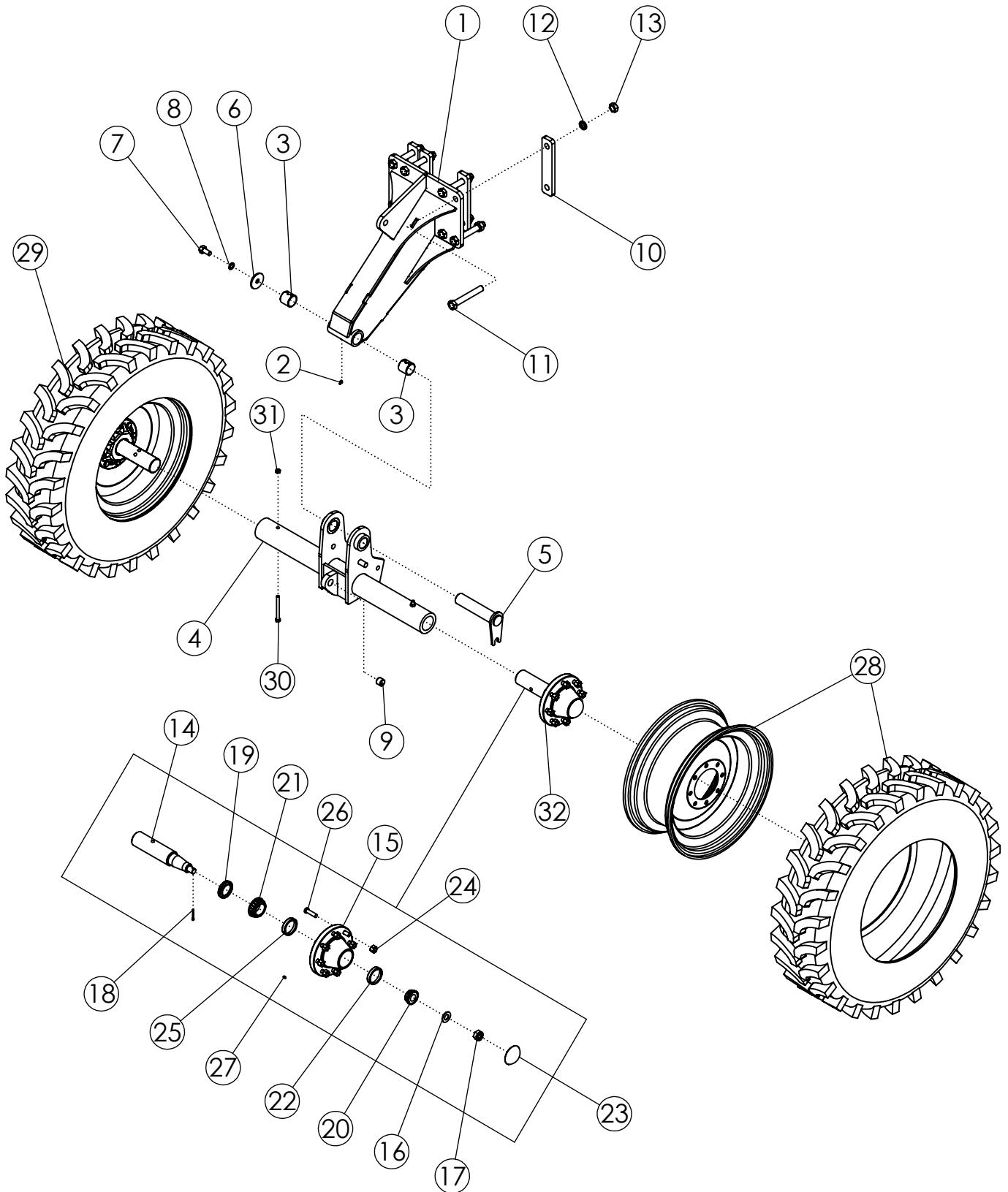
SWEEP/TAPERED FLAIL #3 30" (68796)

ITEM	PART NO.	DESCRIPTION	QTY
1	52062	FLAIL RING LH - ZP	2
2	52061	FLAIL RING RH - ZP	2
3	58084	PLATE-REINFORCEMENT ZP	4
4	1032509	BOLT-HEX: .63 X 1.25 NC GR5 ZP	2
5	1016595	NUT-TOPLOCK: .63 NC GR5 ZP	8
6	1011606	BOLT-HEX: .50 X 1.25 NC GR5 ZP	2
7	1011607	BOLT-HEX: .50 X 1.50 NC GR5 ZP	2
8	1014443	WASHER-FLAT: .50 ZP	2
9	1027461	NUT-TOPLOCK: .50 NC GR5 ZP	4
10	305557	WLDMT-6 FLAIL ROD 13.875" ZP	6
11	52355	FLAIL-SWEEP 1 X 13.25	6
12	307259	FLAIL-RUBBER 1 X 12 TAPERED	27
13	51549	SPACER-1"	6
14	1014349	BOLT-HEX: .63 X 1.50 NC GR5 ZP	6

FULL TAPERED FLAIL #3 22" (307563)

ITEM	PART NO.	DESCRIPTION	QTY
1	52062	FLAIL RING LH - ZP	2
2	52061	FLAIL RING RH - ZP	2
3	58084	PLATE-REINFORCEMENT ZP	4
4	1032509	BOLT-HEX: .63 X 1.25 NC GR5 ZP	2
5	1016595	NUT-TOPLOCK: .63 NC GR5 ZP	8
6	1011606	BOLT-HEX: .50 X 1.25 NC GR5 ZP	2
7	1011607	BOLT-HEX: .50 X 1.50 NC GR5 ZP	2
8	1014443	WASHER-FLAT: .50 ZP	2
9	1027461	NUT-TOPLOCK: .50 NC GR5 ZP	4
10	305557	WLDMT-6 FLAIL ROD 13.875" ZP	6
11	307259	FLAIL-RUBBER 1 X 12 TAPERED	27
12	51549	SPACER-1"	6
13	1014349	BOLT-HEX: .63 X 1.50 NC GR5 ZP	6

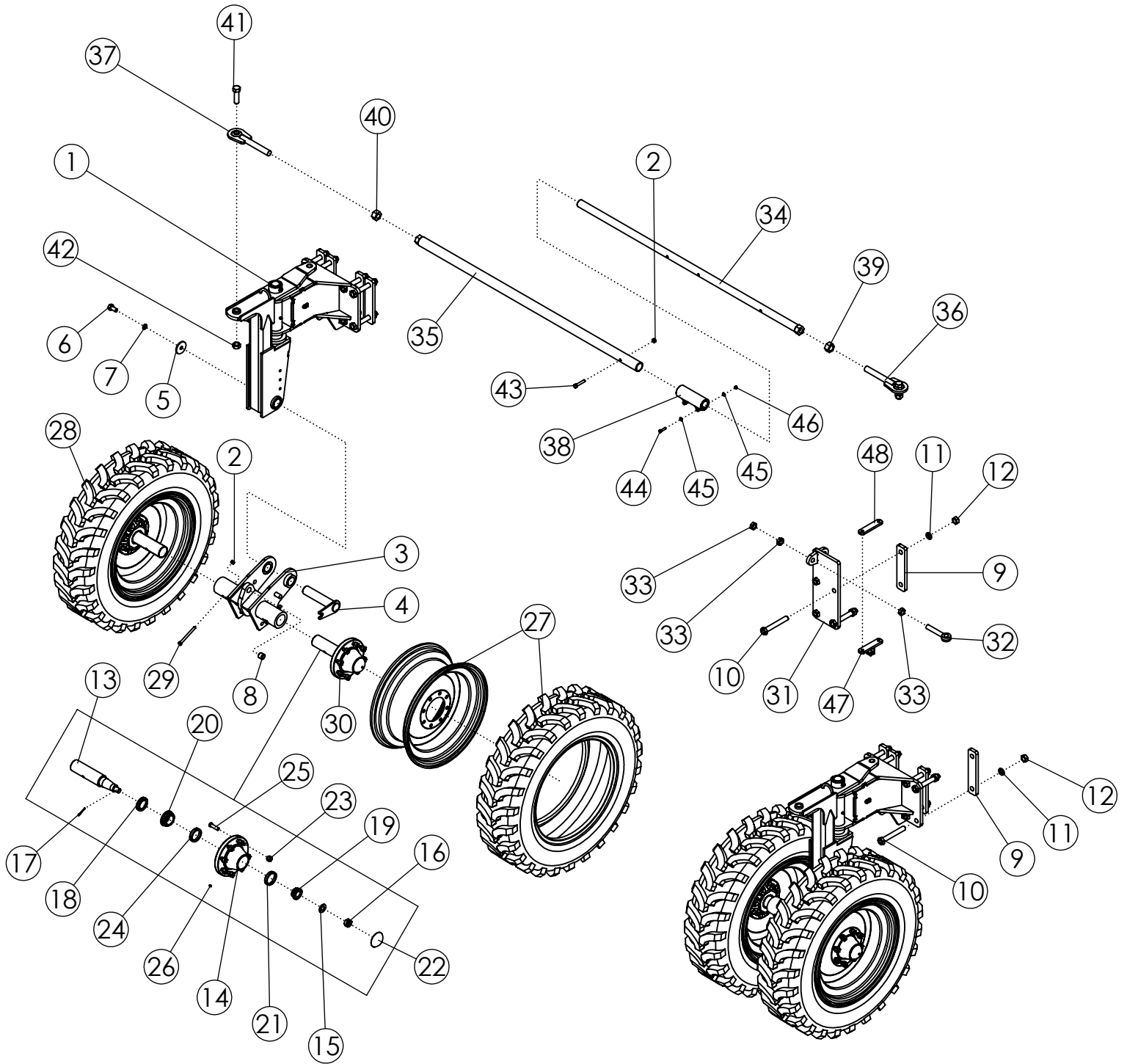
STANDARD REAR STRUTS 11.2 X 24 44" (306002)



STANDARD REAR STRUTS 11.2 X 24 44" (306002)

ITEM	PART NO.	DESCRIPTION	QTY
1	306020	WLDMT-STRUT STANDARD PIVOT	2
2	1011748	ZERK-GREASE .25 UNF STRAIGHT	2
3	73466	BUSHING-SPRING 2.25 X 2.0 X 2.0 L	4
4	305562	WLDMT-SPINDLE RECEIVER 44"	2
5	305573	WLDMT-DEF STRUT FLAG PIN ZP	2
6	305575	PLATE-PIVOT POINT END CAP ZP	2
7	58367	BOLT-HEX: .75 X 1.50 NC GR5 ZP	2
8	1012061	WASHER-LOCK: .75 ZP	2
9	45572	BUSHING-SPRING 1.25 X 1 X 1	2
10	58408	BAR - BOLTING	8
11	1018839	BOLT-HEX: 1.00 X 7.00 NC GR8 ZP	16
12	1013539	WASHER-LOCK: 1.00 ZP	16
13	1012664	NUT-HEX: 1.00 NC GR2 ZP	16
14	52954	SPINDLE-STANDARD	4
15	53623	HUB-WHEEL 8 BOLT	4
16	1030728	WASHER-FLAT: SAE 1.00 ZP GR8	4
17	1030726	NUT-SPINDLE: 1.00 NF NP	4
18	1030797	PIN-COTTER: .19 X 1.75 NP	4
19	53619	SEAL 7044-116	4
20	53620	BEARING CONE-OUTER	4
21	53621	BEARING CONE-INNER	4
22	53622	BEARING CUP-INNER	4
23	53624	CAP-HUB	4
24	53625	NUT-WHEEL .625-18NF	32
25	52243	BEARING CUP-OUTER	4
26	54393	STUD-HUB BOLT 7600-6	32
27	301490	SELF TAPPING GREASE FITTING	4
28	56986	TIRE-MNTD: 11.2-24 10 PLY R1 TITAN HTL RH	2
29	63992	TIRE-MNTD: 11.2-24 10 PLY R1 TITAN HTL LH	2
30	1011618	BOLT-HEX: .50 X 5.00 NC GR5 ZP	4
31	1027461	NUT-TOPLOCK: .50 NC GR5 ZP	4
32	53167	ASSY-HUB & SPINDLE: 8 BOLT W/ZERK	4

STEERABLE REAR STRUTS 11.2 X 24 22" (306003)

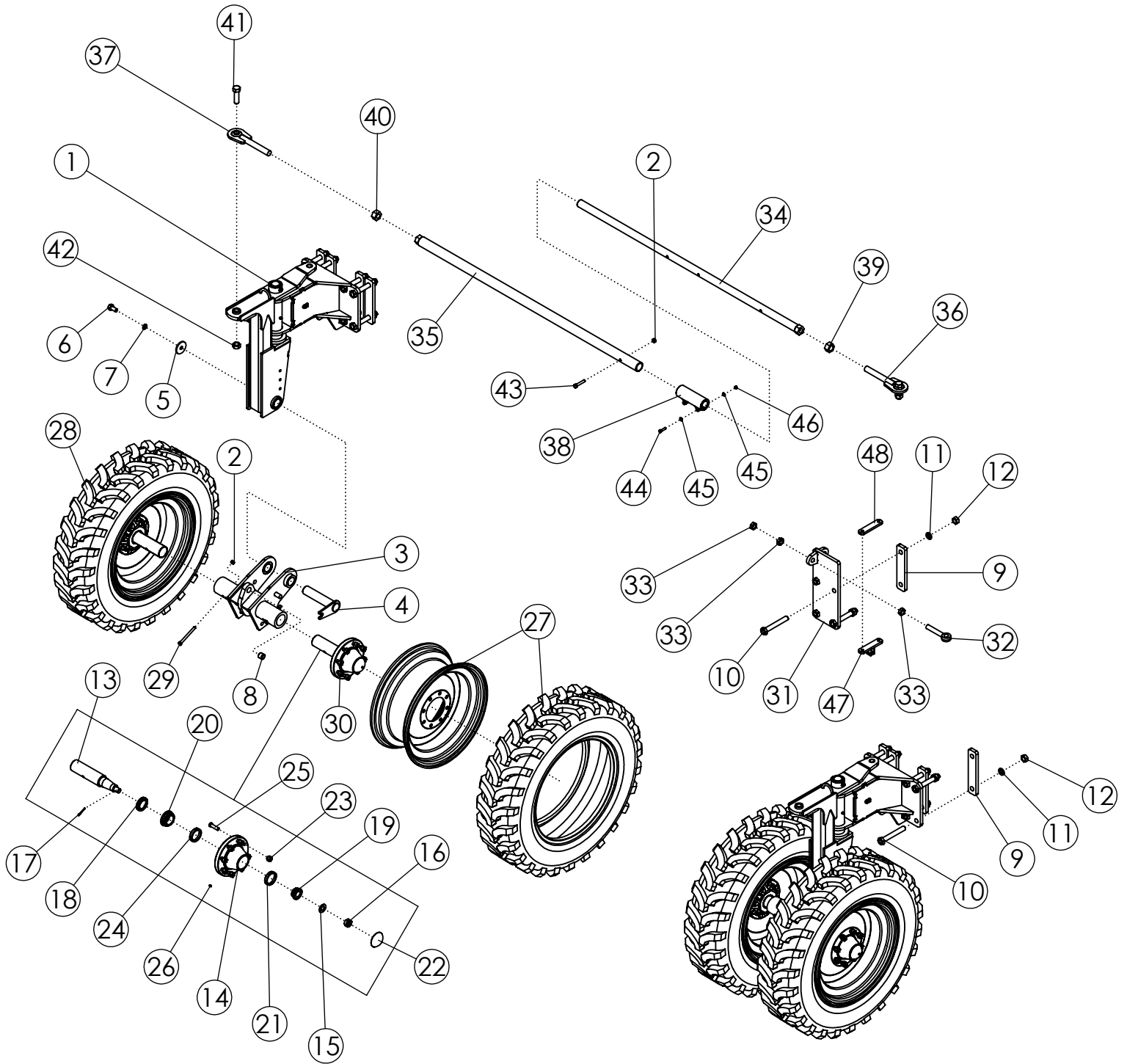


STEERABLE REAR STRUTS 11.2 X 24 22" (306003)

ITEM	PART NO.	DESCRIPTION	QTY
1	305924	ASSY-STEERABLE STRUT UPPER DLS	2
2	1027461	NUT-TOPLOCK: .50 NC GR5 ZP	5
3	305561	WLDMT-SPINDLE RECEIVER 22"	2
4	305573	WLDMT-DEF STRUT FLAG PIN ZP	2
5	305575	PLATE-PIVOT POINT END CAP ZP	2
6	58367	BOLT-HEX: .75 X 1.50 NC GR5 ZP	2
7	1012061	WASHER-LOCK: .75 ZP	2
8	45572	BUSHING-SPRING 1.25 X 1 X 1	2
9	58408	BAR - BOLTING	10
10	1018839	BOLT-HEX: 1.00 X 7.00 NC GR8 ZP	20
11	1013539	WASHER-LOCK: 1.00 ZP	20
12	1012664	NUT-HEX: 1.00 NC GR2 ZP	20
13	52954	SPINDLE-STANDARD	4
14	53623	HUB-WHEEL 8 BOLT	4
15	1030728	WASHER-FLAT: SAE 1.00 ZP GR8	4
16	1030726	NUT-SPINDLE: 1.00 NF NP	4
17	1030797	PIN-COTTER: .19 X 1.75 NP	4
18	53619	SEAL 7044-116	4
19	53620	BEARING CONE-OUTER	4
20	53621	BEARING CONE-INNER	4
21	53622	BEARING CUP-INNER	4
22	53624	CAP-HUB	4
23	53625	NUT-WHEEL .625-18NF	32
24	52243	BEARING CUP-OUTER	4
25	54393	STUD-HUB BOLT 7600-6	32
26	301490	SELF TAPPING GREASE FITTING	4
27	56986	TIRE-MNTD: 11.2-24 10 PLY R1 TITAN HTL RH	2
28	63992	TIRE-MNTD: 11.2-24 10 PLY R1 TITAN HTL LH	2
29	1011618	BOLT-HEX: .50 X 5.00 NC GR5 ZP	4
30	53167	ASSY-HUB & SPINDLE: 8 BOLT W/ZERK	4
31	306732	WLDMT-CYLINDER BRACKET ADJ	1
32	62081	BOLT-EYEBOLT: 1.00 X 6.00 ZP GR8	1
33	1026880	NUT-JAM: 1.00 NC GR2 ZP	3
34	58415	WLDMT-TIE ROD 70" MALE	1
35	58416	WLDMT-TIE ROD 70" FEMALE	1
36	58186	WLDMT-TIE ROD END RH	1

CONTINUED

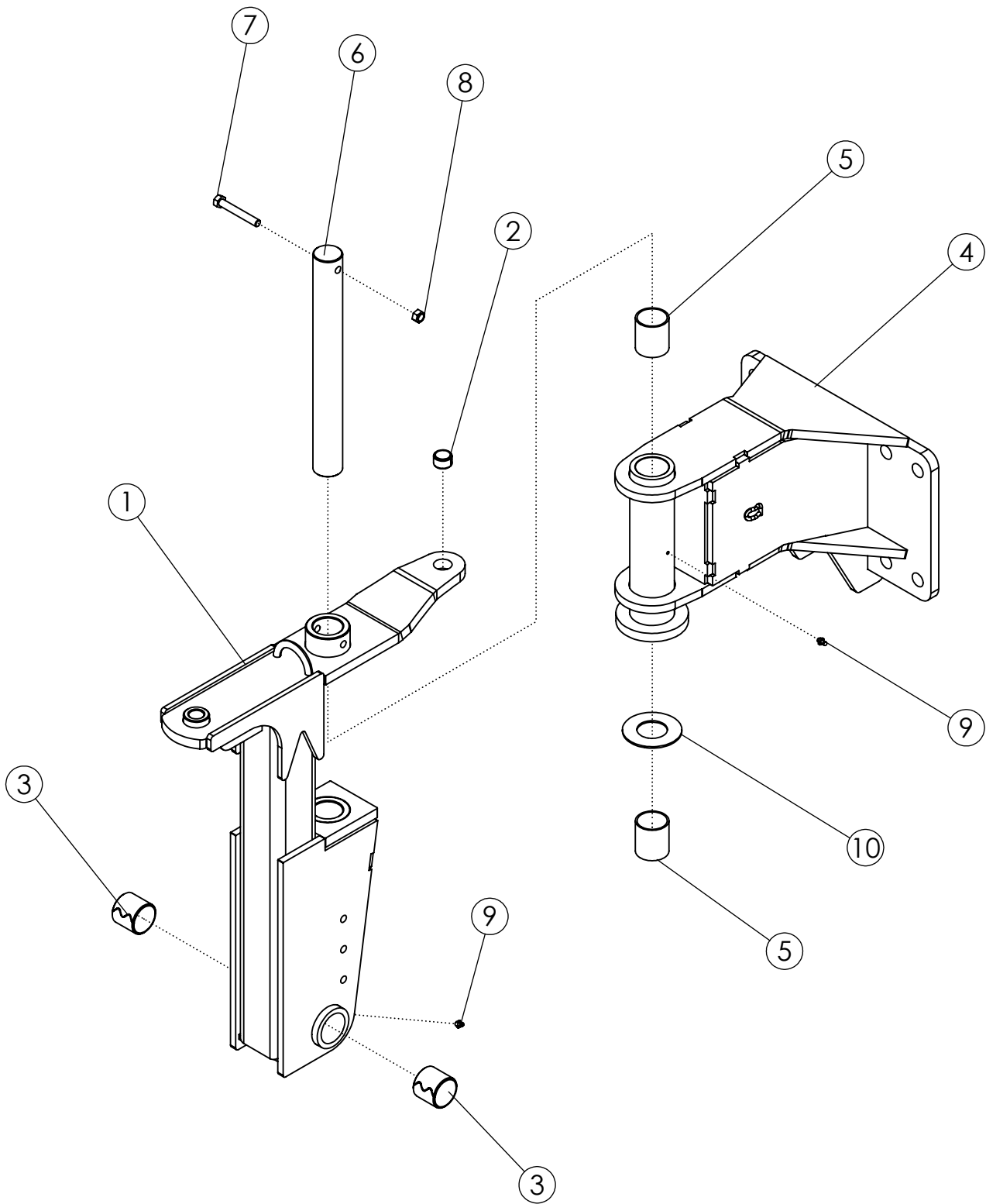
STEERABLE REAR STRUTS 11.2 X 24 22" (306003)



STEERABLE REAR STRUTS 11.2 X 24 22" (306003) (CONTINUED)

ITEM	PART NO.	DESCRIPTION	QTY
37	58203	WLDMT-TIE ROD END LH	1
38	69557	WLDMT-TIE ROD CLAMP	1
39	1011621	NUT-HEX: 1.25 NC GR2 ZP RH	1
40	1030729	NUT-HEX: 1.25 NC GR2 ZP LH	1
41	1032276	BOLT-HEX: 1.00 X 3.50 NC GR8 ZP	2
42	1016969	NUT-TOPLOCK: 1.00 NC GR8 ZP	2
43	1016858	BOLT-HEX: .50 x 2.75 NC GR5 ZP	1
44	1011602	BOLT-HEX: .38 X 1.50 NC GR5 ZP	2
45	1014608	WASHER-FLAT: SAE .38 ZP	4
46	1016999	NUT-TOPLOCK: .38 NC GR5 ZP	2
47	306693	WLDMT-REAR FLAP STRUT MOUNT	1
48	306695	PLATE-FLAP MOUNT BASE RED	1

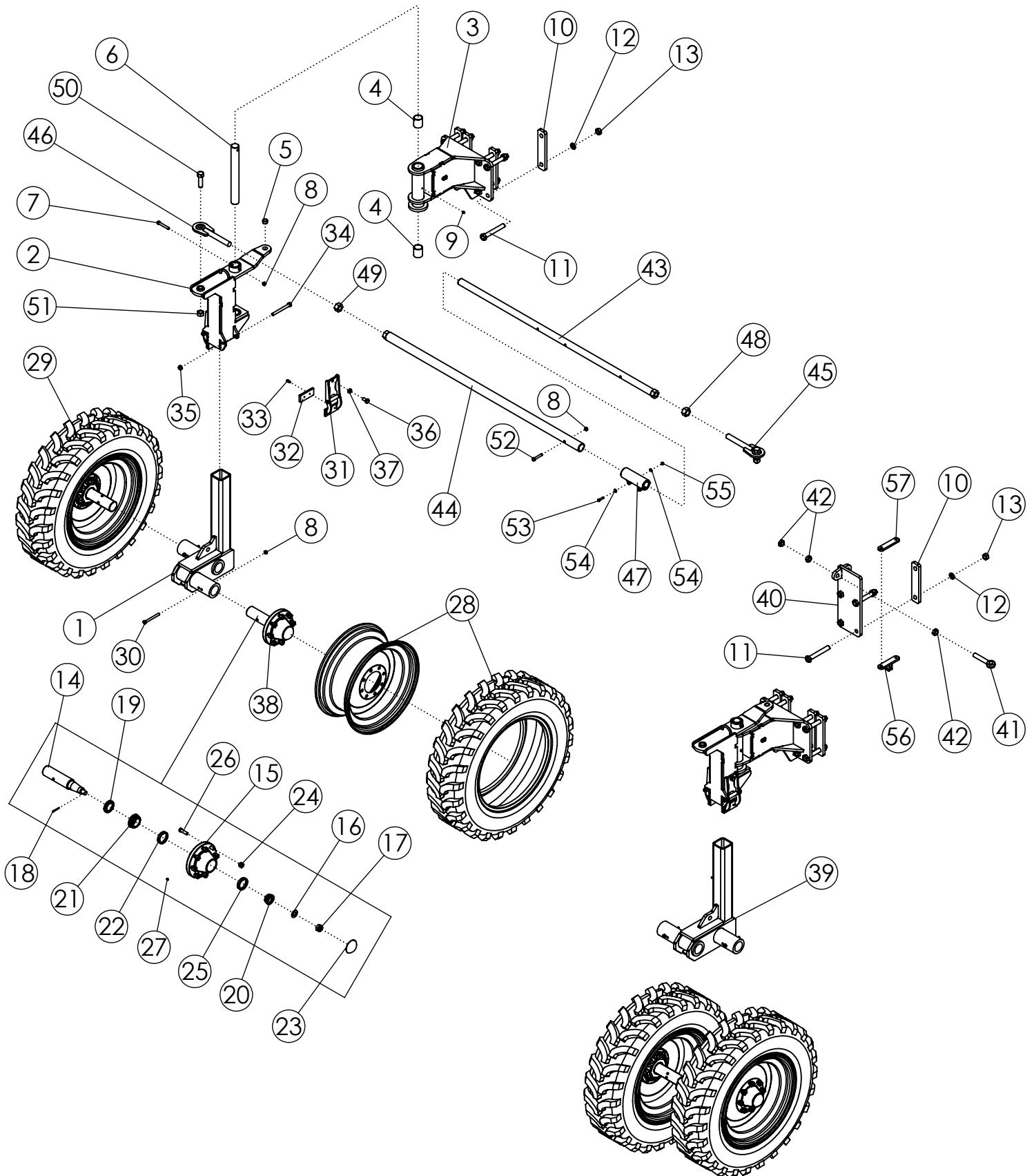
STEERABLE STRUT ASSEMBLY (305924)



STEERABLE STRUT ASSEMBLY (305924)

ITEM	PART NO.	DESCRIPTION	QTY
1	305560	WLDMT-STRUT UPPER	1
2	307240	SPRING BUSHING 1.25 X 1 X 0.75	1
3	73466	BUSHING-SPRING 2.25 X 2.0 X 2.0 L	2
4	305925-1	WLDMT-PIVOT MOUNT DLS	1
5	59204	BUSHING-BORED 2.5 X 2.015	2
6	58274	SHAFT-STRUT PIVOT	1
7	1011612	BOLT-HEX: .50 X 3.50 GR5 ZP	1
8	1027461	NUT-TOPLOCK: .50 NC GR5 ZP	1
9	1011748	ZERK-GREASE .25 UNF STRAIGHT	2
10	305586	BUSHING-THRUST 2.062 X 4.00 X .125	1

OFFSET STEERABLE REAR STRUTS 11.2 X 24 22" (306349)

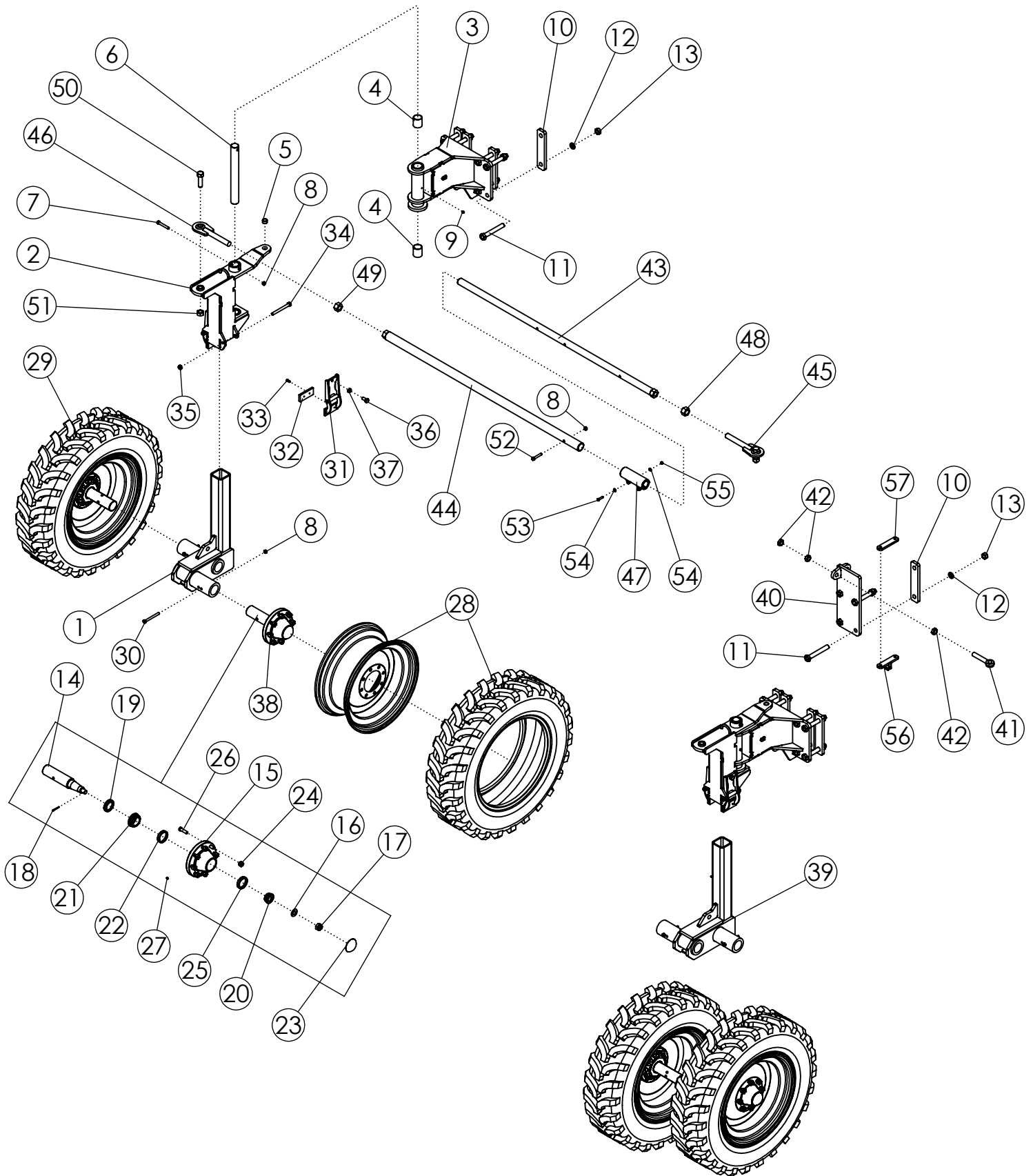


OFFSET STEERABLE REAR STRUTS 11.2 X 24 22" (306349)

ITEM	PART NO.	DESCRIPTION	QTY
1	305279	WLDMT-SPINDLE HOUSING- 8" OFFSET RH	1
2	68237	WLDMT-STEERABLE STRUT UPPER	2
3	305925-1	WLDMT-PIVOT MOUNT DLS	2
4	59204	BUSHING-BORED 2.5 X 2.015	4
5	307240	SPRING BUSHING 1.25 X 1 X 0.75	2
6	58274	SHAFT-STRUT PIVOT	2
7	1011612	BOLT-HEX: .50 X 3.50 GR5 ZP	2
8	1027461	NUT-TOPLOCK: .50 NC GR5 ZP	7
9	1011748	ZERK-GREASE .25 UNF STRAIGHT	2
10	58408	BAR - BOLTING	10
11	1018839	BOLT-HEX: 1.00 X 7.00 NC GR8 ZP	20
12	1013539	WASHER-LOCK: 1.00 ZP	20
13	1012664	NUT-HEX: 1.00 NC GR2 ZP	20
14	52954	SPINDLE-STANDARD	4
15	53623	HUB-WHEEL 8 BOLT	4
16	1030728	WASHER-FLAT: SAE 1.00 ZP GR8	4
17	1030726	NUT-SPINDLE: 1.00 NF NP	4
18	1030797	PIN-COTTER: .19 X 1.75 NP	4
19	53619	SEAL 7044-116	4
20	53620	BEARING CONE-OUTER	4
21	53621	BEARING CONE-INNER	4
22	53622	BEARING CUP-INNER	4
23	53624	CAP-HUB	4
24	53625	NUT-WHEEL .625-18NF	32
25	52243	BEARING CUP-OUTER	4
26	54393	STUD-HUB BOLT 7600-6	32
27	301490	SELF TAPPING GREASE FITTING	4
28	56986	TIRE-MNTD: 11.2-24 10 PLY R1 TITAN HTL RH	2
29	63992	TIRE-MNTD: 11.2-24 10 PLY R1 TITAN HTL LH	2
30	1011618	BOLT-HEX: .50 X 5.00 NC GR5 ZP	4
31	69956	WLDMT- DEF STRUT CLAMP	4
32	69971	PLASTIC-STRUT CLAMP	4
33	69987	SCRWE-MACH: FH-TORX 1/4-20 X 1.00	8
34	1013068	BOLT-HEX: .63 X 6.00 NC GR5 ZP	4
35	1016595	NUT-TOPLOCK: .63 NC GR5 ZP	4
36	1030703	BOLT-HEX: .63 X 1.25 NF GR5 ZP	4

CONTINUED

OFFSET STEERABLE REAR STRUTS 11.2 X 24 22" (306349)

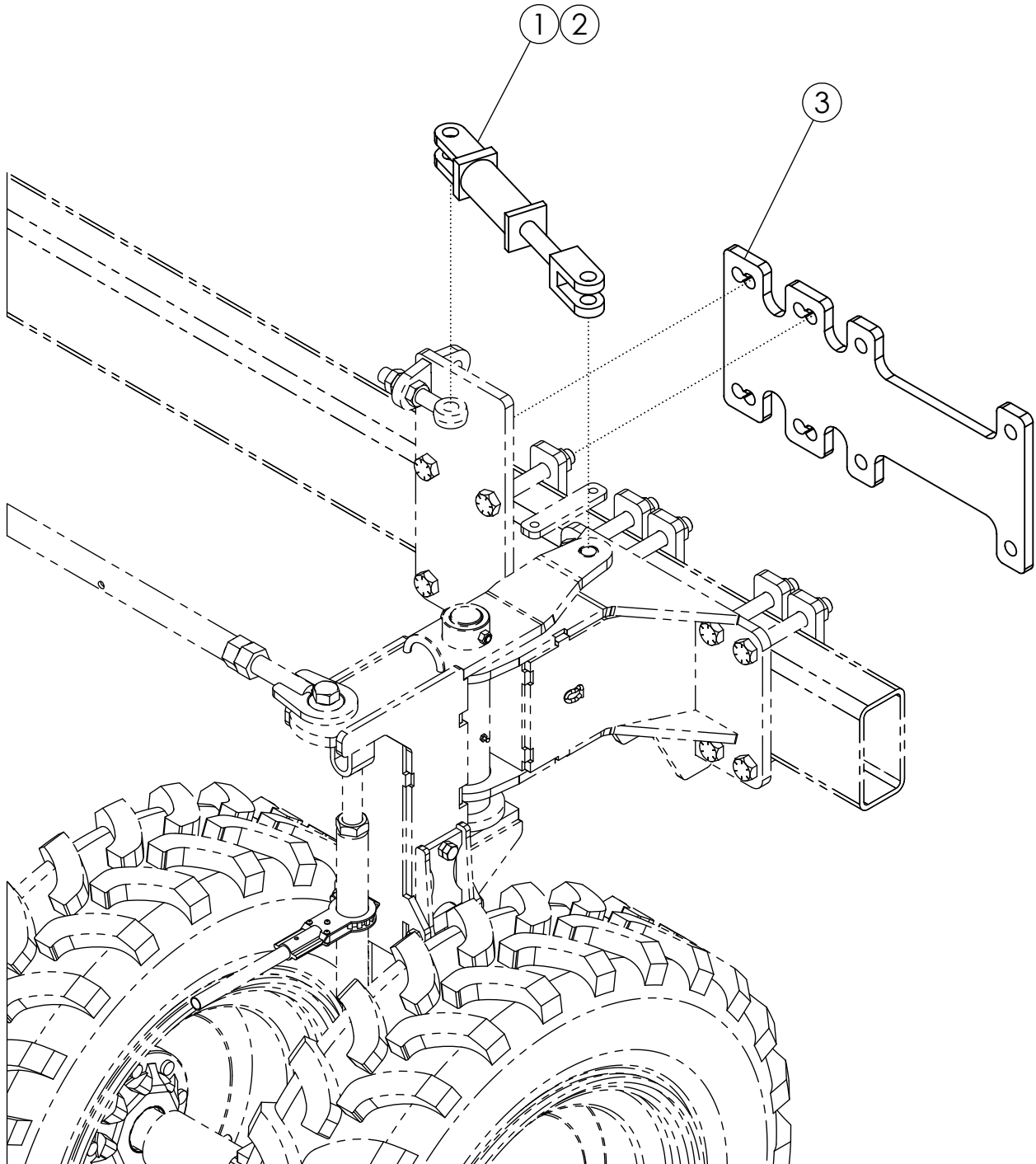


OFFSET STEERABLE REAR STRUTS 11.2 X 24 22" (306349) (CONTINUED)

ITEM	PART NO.	DESCRIPTION	QTY
37	66336	NUT-JAM: .63 NF GR2 ZP	4
38	53167	ASSY-HUB & SPINDLE: 8 BOLT W/ZERK	4
39	305280	WLDMT-SPINDLE HOUSING- 8" OFFSET LH	1
40	306732	WLDMT-CYLINDER BRACKET ADJ	1
41	62081	BOLT-EYEBOLT: 1.00 X 6.00 ZP GR8	1
42	1026880	NUT-JAM: 1.00 NC GR2 ZP	3
43	58415	WLDMT-TIE ROD 70" MALE	1
44	58416	WLDMT-TIE ROD 70" FEMALE	1
45	58186	WLDMT-TIE ROD END RH	1
46	58203	WLDMT-TIE ROD END LH	1
47	69557	WLDMT-TIE ROD CLAMP	1
48	1011621	NUT-HEX: 1.25 NC GR2 ZP RH	1
49	1030729	NUT-HEX: 1.25 NC GR2 ZP LH	1
50	1011626	BOLT-HEX: 1.00 X 3.50 NC GR5 ZP	2
51	1016969	NUT-TOPLOCK: 1.00 NC GR8 ZP	2
52	1016858	BOLT-HEX: .50 x 2.75 NC GR5 ZP	1
53	1011602	BOLT-HEX: .38 X 1.50 NC GR5 ZP	2
54	1014608	WASHER-FLAT: SAE .38 ZP	4
55	1016999	NUT-TOPLOCK: .38 NC GR5 ZP	2
56	306693	WLDMT-REAR FLAP STRUT MOUNT	1
57	306695	PLATE-FLAP MOUNT BASE RED	1

STANDARD STEERING (305973)

REFER TO MACHINE SPECIFIC HYDRAULICS
MANUALS FOR FITTINGS, HOSES, ETC.

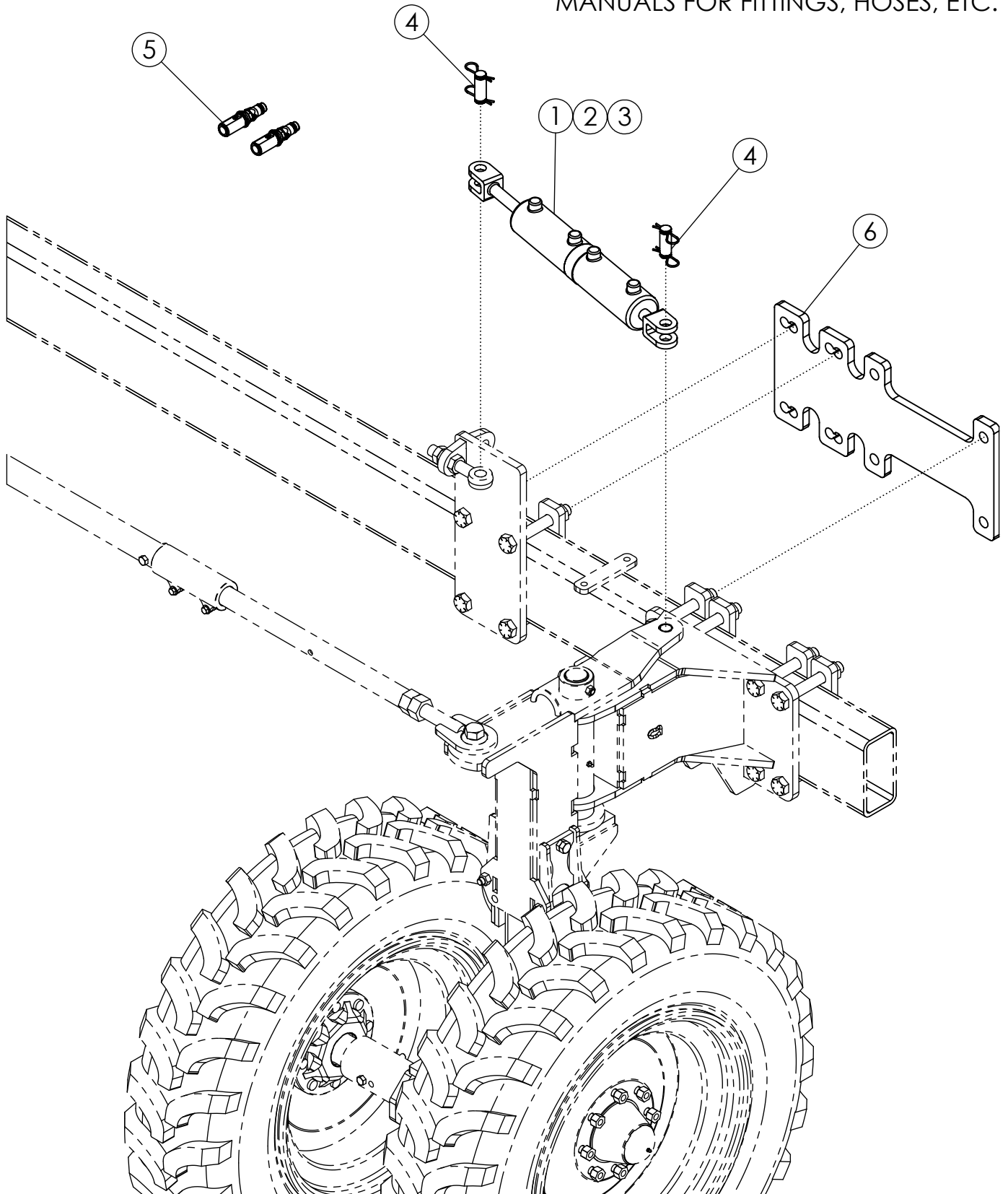


STANDARD STEERING (305973)

ITEM	PART NO.	DESCRIPTION	QTY.
1	62319	CYLINDER- HYDRAULIC 2 X 4" 3000	1
2	69654	SEAL KT-CYL 2 X 4 3000PSI #62319	
3	307195	PLATE-STEERING DOGBONE UNIVERSAL	1

CENTERING STEERING (305994)

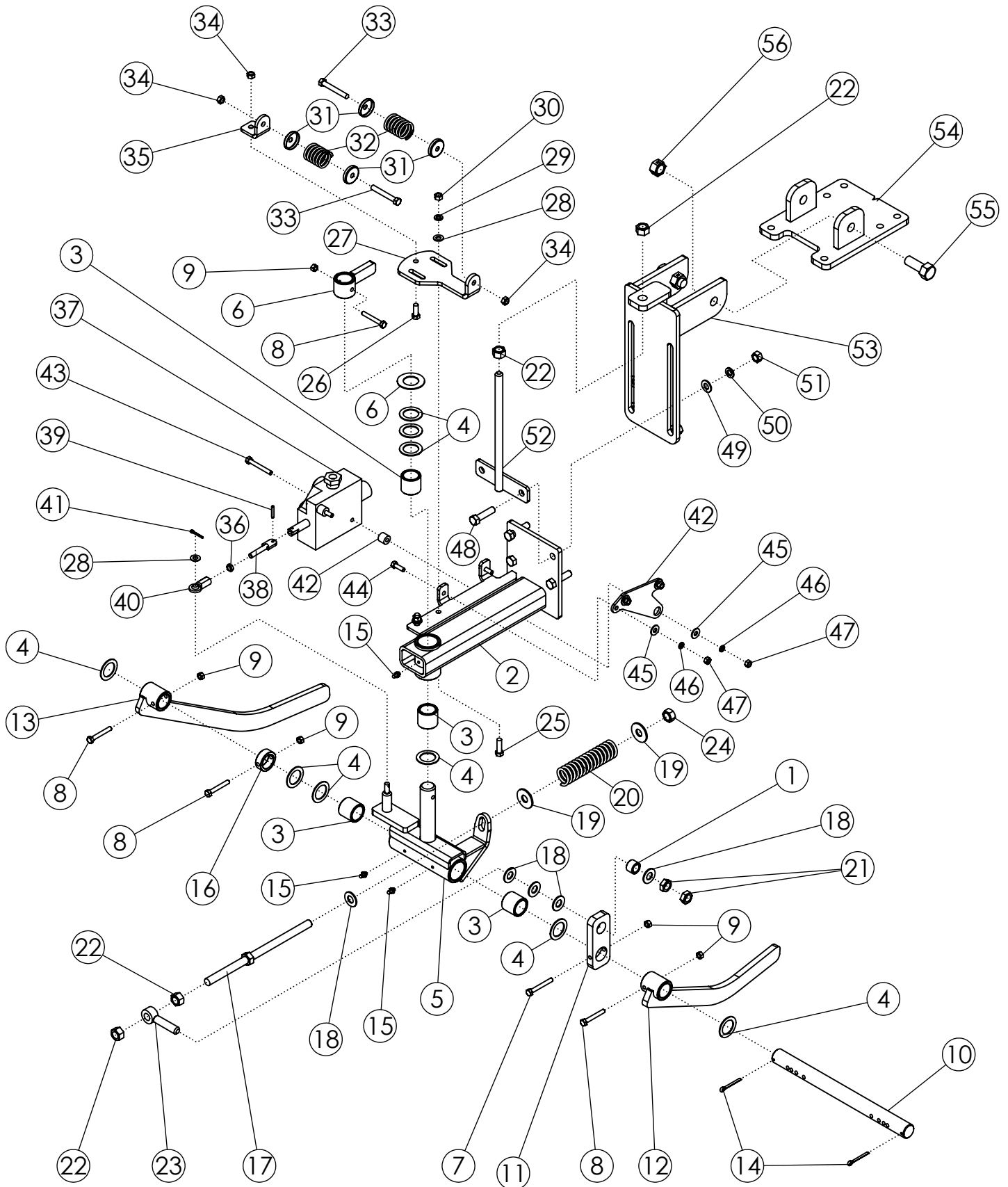
REFER TO MACHINE SPECIFIC HYDRAULICS
MANUALS FOR FITTINGS, HOSES, ETC.



CENTERING STEERING (305994)

ITEM	PART NO.	DESCRIPTION	QTY
1	69200	CYLINDER-HYD 3X4 4PORT 24.5 CLOSED	1
2	305293	KT-CYLINDER SEALS (62344/69200) (RAM INDUS)	
3	307800	KT-CYLINDER SEALS (62344/69200) (CTD)	
4	69167	PIN-CYLINDER W/CLIPS 1.00 X 2.25	2
5	304187	ASSY-TRACTOR HYD COUPLERS (BLUE)	1
6	307195	PLATE-STEERING DOGBONE UNIVERSAL	1

ROWFINDER ASSEMBLY (306865)

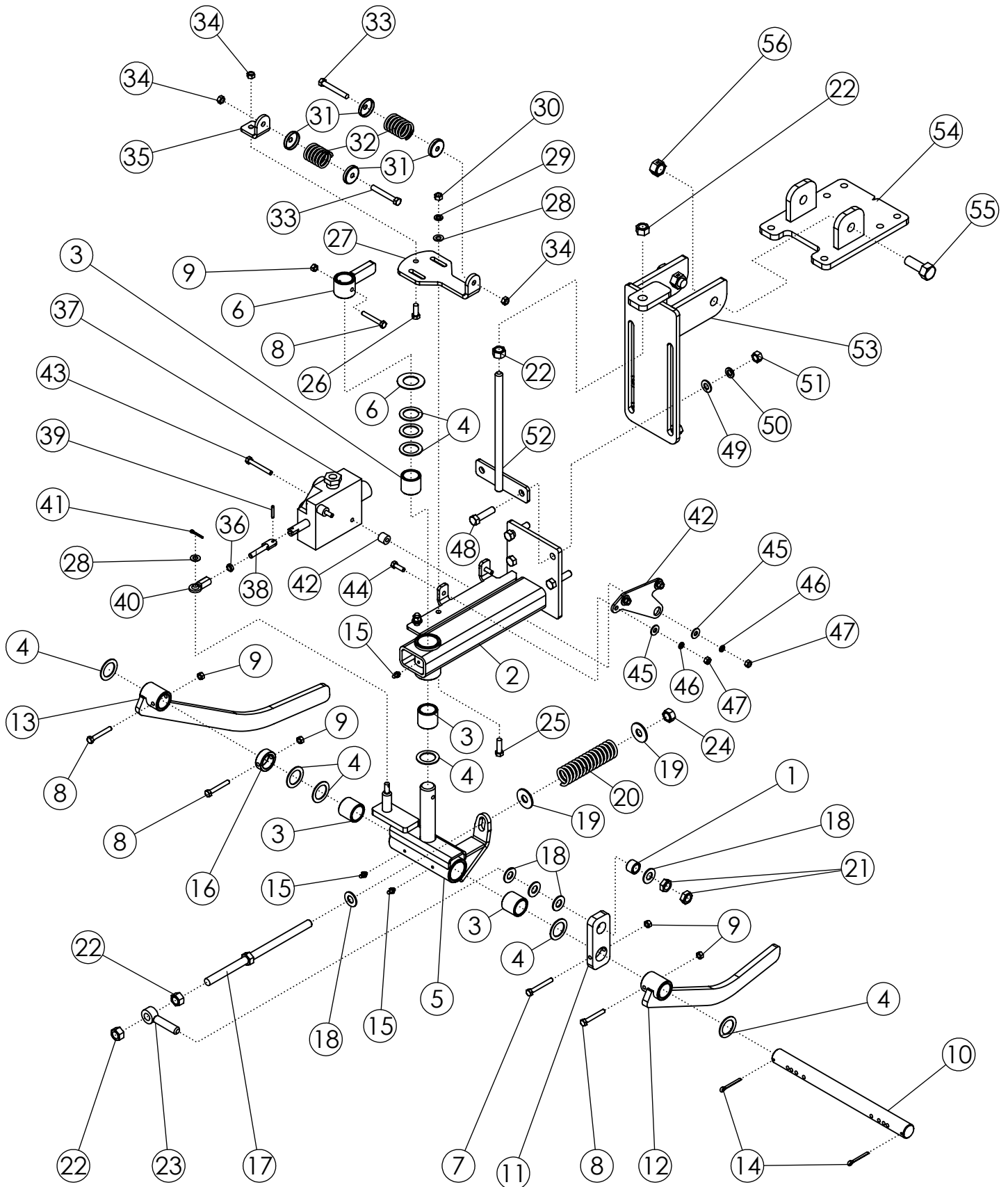


ROWFINDER ASSEMBLY (306865)

ITEM	PART NO.	DESCRIPTION	QTY
1	52567	BUSHING-ZP	1
2	62519	WLDMT-ROW FINDER MAIN FRAME	1
3	56939	BUSHING-OILITE: 1.25 X 1.625 X 1.50L	4
4	55206	BUSHING-MACH: 1.25 NR 14GA NP	9
5	56950	WLDMT - SWIVEL	1
6	51130	WLDMT-FLIPPER	1
7	301748	BOLT-HEX: .31 X 2.50 NC GR8 ZP	1
8	301258	BOLT-HEX: .31 X 2.25 NC GR8 ZP	4
9	301749	NUT-TOPLOCK: .31 NC GR8 ZP	5
10	51690	SHAFT-ROW FINDER ZP	1
11	52566	TENSIONER ARM	1
12	51131	WLDMT-SENSOR ARM LH	1
13	52564	WLDMT-SENSOR ARM RH	1
14	1030797	PIN-COTTER: .19 X 1.75 NP	2
15	1011748	ZERK-GREASE .25 UNF STRAIGHT	3
16	51137	COLLAR	1
17	52565	ADJUSTMENT BOLT	1
18	1013004	WASHER-FLAT: SAE .63 ZP	5
19	1013024	WASHER-FLAT: .63 ZP	2
20	51692	SPRING: .207 X 1.4375 OD X 6" 15 COILS	1
21	1026259	NUT-JAM: .63 NC GR2 ZP	2
22	1011578	NUT-HEX: .63 NC GR2 ZP	4
23	51691	EYEBOLT .63 X 3.25 ZP	1
24	1016595	NUT-TOPLOCK: .63 NC GR5 ZP	1
25	1011601	BOLT-HEX: .38 X 1.25 NC GR5 ZP	2
26	1011600	BOLT-HEX: .38 X 1.00 NC GR5 ZP	1
27	51129	PLATE-ADJUSTMENT	1
28	1014608	WASHER-FLAT: SAE .38 ZP	3
29	1011586	WASHER-LOCK: .38 ZP	2
30	1011576	NUT-HEX: .38 NC GR2 ZP	2
31	52582	SPRING CAP	4
32	51689	SPRING-ROW FINDER PAINTED	2
33	1019828	BOLT-HEX: .38 X 2.75 NC GR5 ZP	2
34	1016999	NUT-TOPLOCK: .38 NC GR5 ZP	3
35	51128	SPRING PLATE	1
36	1030792	NUT-JAM: .38 NF GR2 ZP	1

CONTINUED

ROWFINDER ASSEMBLY (306865)

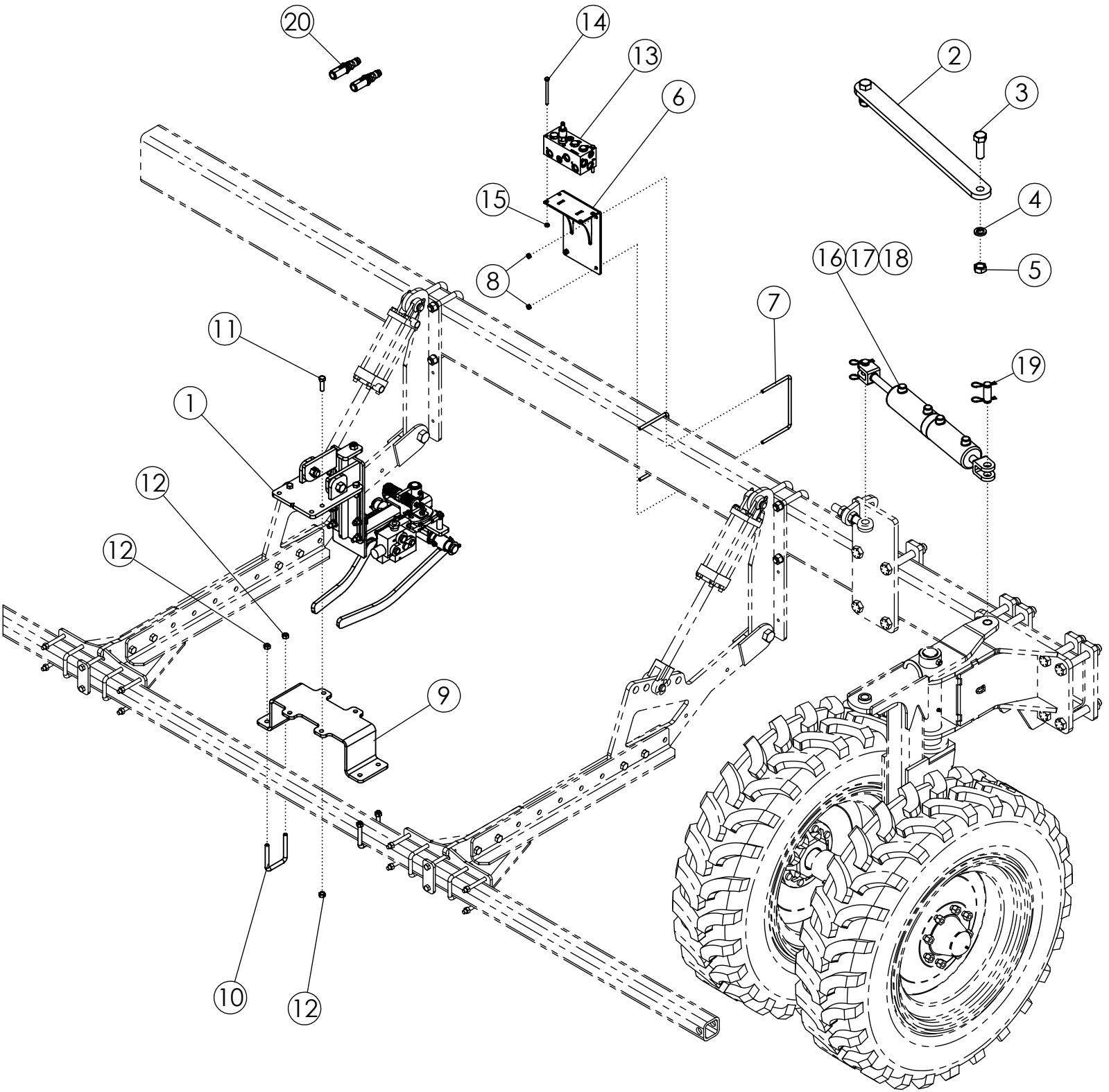


ROWFINDER ASSEMBLY (306865) (CONTINUED)

ITEM	PART NO.	DESCRIPTION	QTY
37	306698	VALVE-ROWFINDER POWER BEYOND	1
38	301750	WLDMT-STUD RF LONG ZP	1
39	64157	PIN-ROLL: .19 X 1.125 ZP	1
40	51136	UNIBALL COUPLING	1
41	1029137	PIN-COTTER: .13X 1.00 ZP	1
42	306854	WLDMT-R/F MNT PB	1
43	1027258	BOLT-HEX: .31 X 2.50 NC GR5 ZP	2
44	1011598	BOLT-HEX: .31 X 1.00 NC GR5 ZP	2
45	1011583	WASHER-FLAT: .31 ZP	4
46	1029115	WASHER-LOCK: .31 ZP	4
47	1011575	NUT-HEX: .31 NC GR2 ZP	4
48	1011609	BOLT-HEX: .50 X 2.00 NC GR5 ZP	4
49	1011584	WASHER-FLAT: SAE .50 ZP	4
50	1011581	WASHER-LOCK: .50 ZP	4
51	1011577	NUT-HEX: .50 NC GR2 ZP	4
52	62882	WLDMT-TIGHTENER 11.125" ZP	1
53	52181	WLDMT-BRACKET	1
54	301662	WLDMT-ROW FINDER BRACKET UNIVERSAL	1
55	1012060	BOLT-HEX: .75 X 2.00 NC GR5 ZP	2
56	1013537	NUT-CENTERLOCK: .75 NC ZP	2

ROWFINDER SCALPER MOUNT (305998/307541)

ITEMS 2-5
TRANSPORT
ONLY



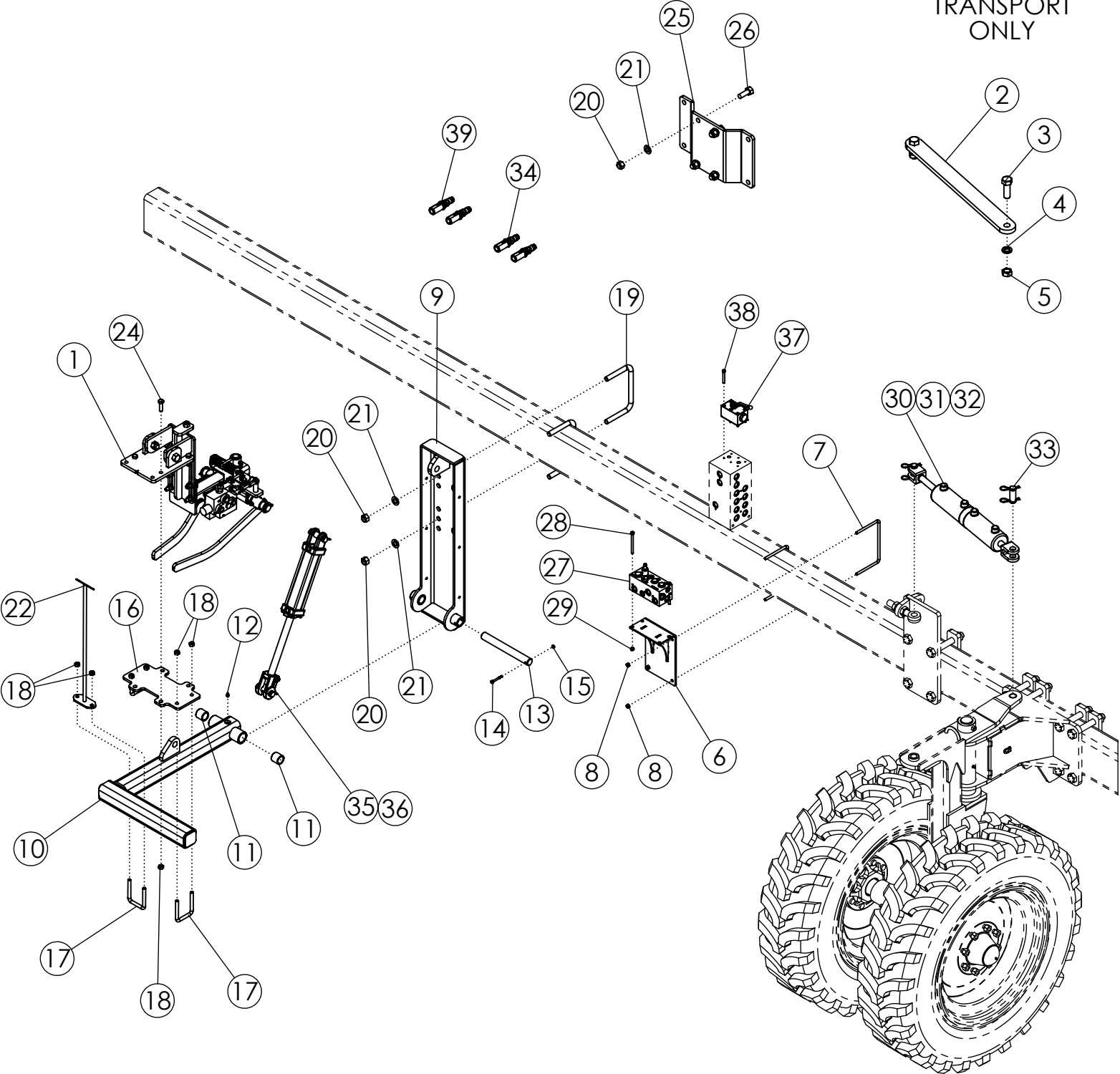
ROWFINDER SCALPER MOUNT (305998/307541)

ITEM	PART NO.	DESCRIPTION	QTY
1	306865	ASSY-ROW FINDER DEF (LESS CYL & HOSES)	1
2	306284	BAR-DEF STEERABLE TRANSPORT	1
3	1018007	BOLT-HEX: 1.0 X 3.00 NC GR5 ZP	2
4	1013539	WASHER-LOCK: 1.00 ZP	2
5	1012664	NUT-HEX: 1.00 NC GR2 ZP	2
6	69996	WLDMT-DEF RF VALVE MNT	1
7	64244	U-BOLT: .375 X 5.125 X 8.063 X 5.125	2
8	1016999	NUT-TOPLOCK: .38 NC GR5 ZP	4
9	70021	PLATE-DEF RF MOUNT (1 ROW)	1
10	69954	U-BOLT: .500 X 4.00 X 3 X 4.00	2
11	1011608	BOLT-HEX: .50 X 1.75 NC GR5 ZP	4
12	1027461	NUT-TOPLOCK: .50 NC GR5 ZP	8
13	69999	VALVE-DEF RF RETURN	1
14	1030778	BOLT-HEX .313 X 4.00 NC GR5 ZP	2
15	1030700	NUT-TOPLOCK: .31 NC GR5 ZP	2
16	69200	CYLINDER-HYD 3X4 4PORT 24.5 CLOSED	1
17	305923	KT-CYLINDER SEALS (62344/69200) (RAM INDUS)	
18	307800	KT-CYLINDER SEALS (62344/69200) (CTD)	
19	69167	PIN-CYLINDER W/CLIPS 1.00 X 2.25	2
20	304187	ASSY-TRACTOR HYD COUPLERS (BLUE)	1

ROWFINDER FRAME MOUNT (305999/307542)

ITEM 25 USED ONLY
IF CENTER MOUNTED

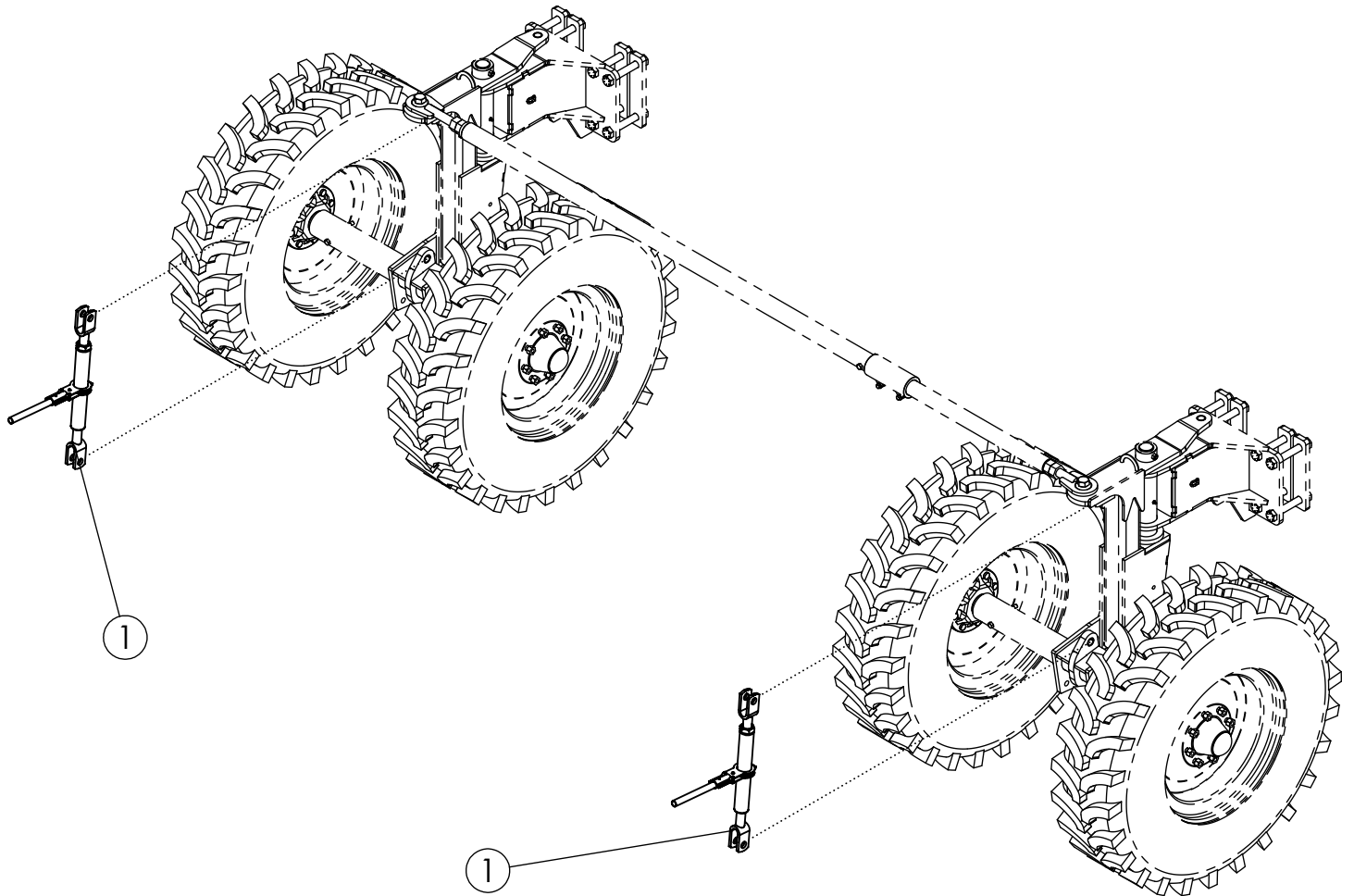
ITEMS 2-5
TRANSPORT ONLY



ROWFINDER FRAME MOUNT (305999/307542)

ITEM	PART NO.	DESCRIPTION	QTY
1	306865	ASSY-ROW FINDER DEF (LESS CYL & HOSES)	1
2	306284	BAR-DEF STEERABLE TRANSPORT	1
3	1018007	BOLT-HEX: 1.0 X 3.00 NC GR5 ZP	2
4	1013539	WASHER-LOCK: 1.00 ZP	2
5	1012664	NUT-HEX: 1.00 NC GR2 ZP	2
6	69996	WLDMT-DEF RF VALVE MNT	1
7	64244	U-BOLT: .375 X 5.125 X 8.063 X 5.125	2
8	1016999	NUT-TOPLOCK: .38 NC GR5 ZP	4
9	305057	WLDMT-ROW FINDER MOUNT UPPER	1
10	305058-1	WLDMT-ROW FINDER LOWER	1
11	56939	BUSHING-OILITE: 1.25 X 1.625 X 1.50L	2
12	1011748	ZERK-GREASE .25 UNF STRAIGHT	1
13	305053	SHAFT-ROW FINDER	1
14	1013942	BOLT-HEX: .25 X 2.25 NC GR5	1
15	1030946	NUT-TOPLOCK: .25 NC GR5 ZP	1
16	305056	PLATE-DEF FR MOUNT (1 ROW)	1
17	69954	U-BOLT: .500 X 4.00 X 3 X 4.00	3
18	1027461	NUT-TOPLOCK: .50 NC GR5 ZP	10
19	56263	U-BOLT: .75 X 5.5 X 8 X 5.5	2
20	1017000	NUT-TOPLOCK: .75 NC GR5 ZP	8
21	1012634	WASHER-FLAT: SAE .75 ZP	8
22	305410	WLDMT-INDICATOR RF FRAME MOUNT	1
23	65332	DECAL-RED ORANGE FLUORESCENT (NOT SHOWN)	1
24	1011608	BOLT-HEX: .50 X 1.75 NC GR5 ZP	4
25	305547	PLATE-CENTER MOUNT RF	1
26	1012060	BOLT-HEX: .75 X 2.00 NC GR5 ZP	4
27	69999	VALVE-DEF RF RETURN	1
28	1030778	BOLT-HEX .313 X 4.00 NC GR5 ZP	2
29	1030700	NUT-TOPLOCK: .31 NC GR5 ZP	2
30	69200	CYLINDER-HYD 3X4 4PORT 24.5 CLOSED	1
31	305923	KT-CYLINDER SEALS (62344/69200) (RAM INDUS)	
32	307800	KT-CYLINDER SEALS (62344/69200) (CTD)	
33	69167	PIN-CYLINDER W/CLIPS 1.00 X 2.25	2
34	304187	ASSY-TRACTOR HYD COUPLERS (BLUE)	1
35	321936	CYLINDER 2 X 8	1
36	321943	2NI SEAL KT (PRINCE)	
37	306028	VALVE-BALL MANIFOLD MOUNT	1
38	306097	BOLT-SHCS .31 X 2.25 NC ZP	6
39	304188	ASSY-TRACTOR HYD COUPLERS (GREEN)	1

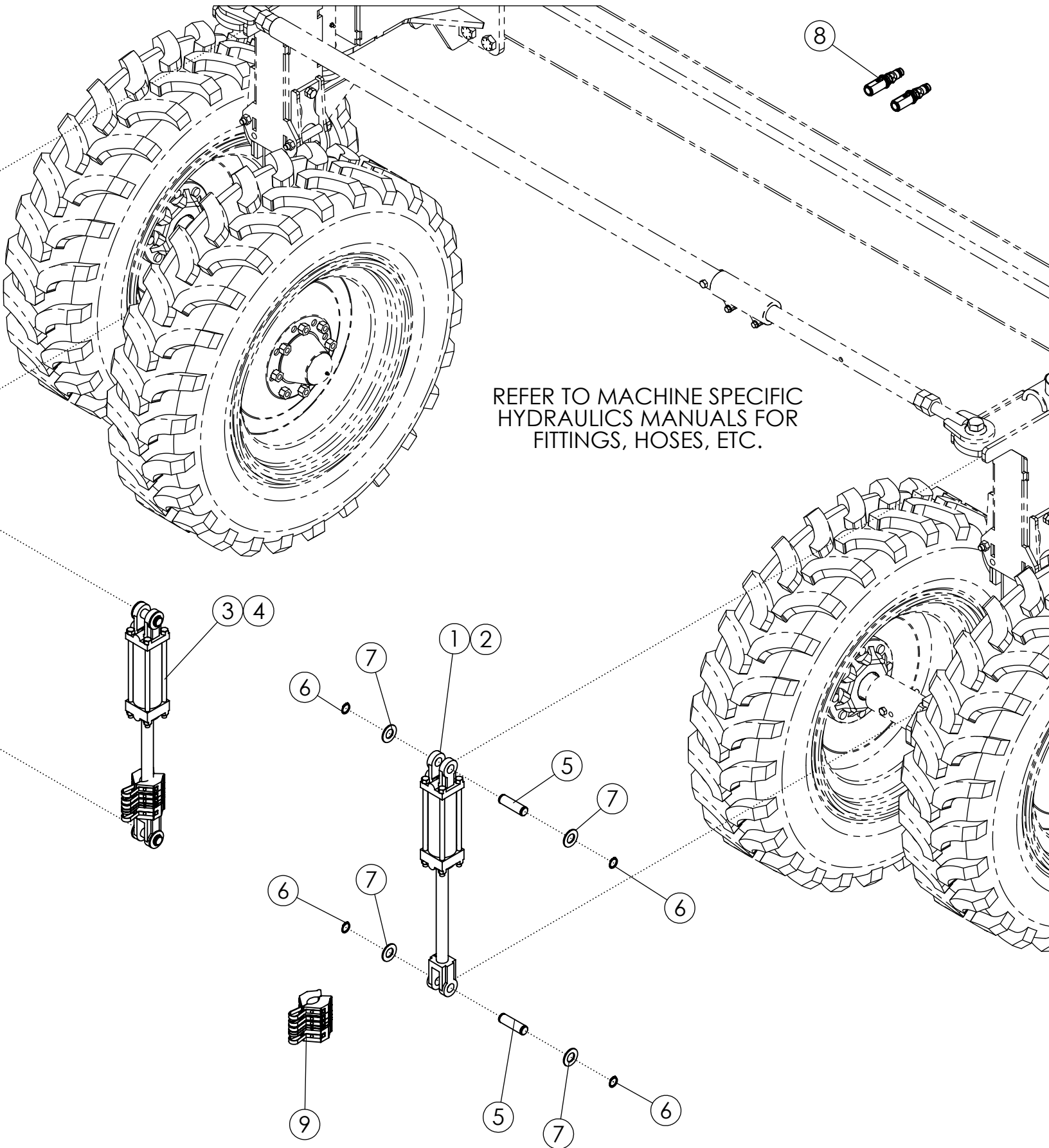
REAR LIFT RATCHET JACK (307635)



REAR LIFT RATCHET JACK (307635)

ITEM	PART NO.	DESCRIPTION	QTY
1	52407	RATCHET JACK PAINTED BLACK	2

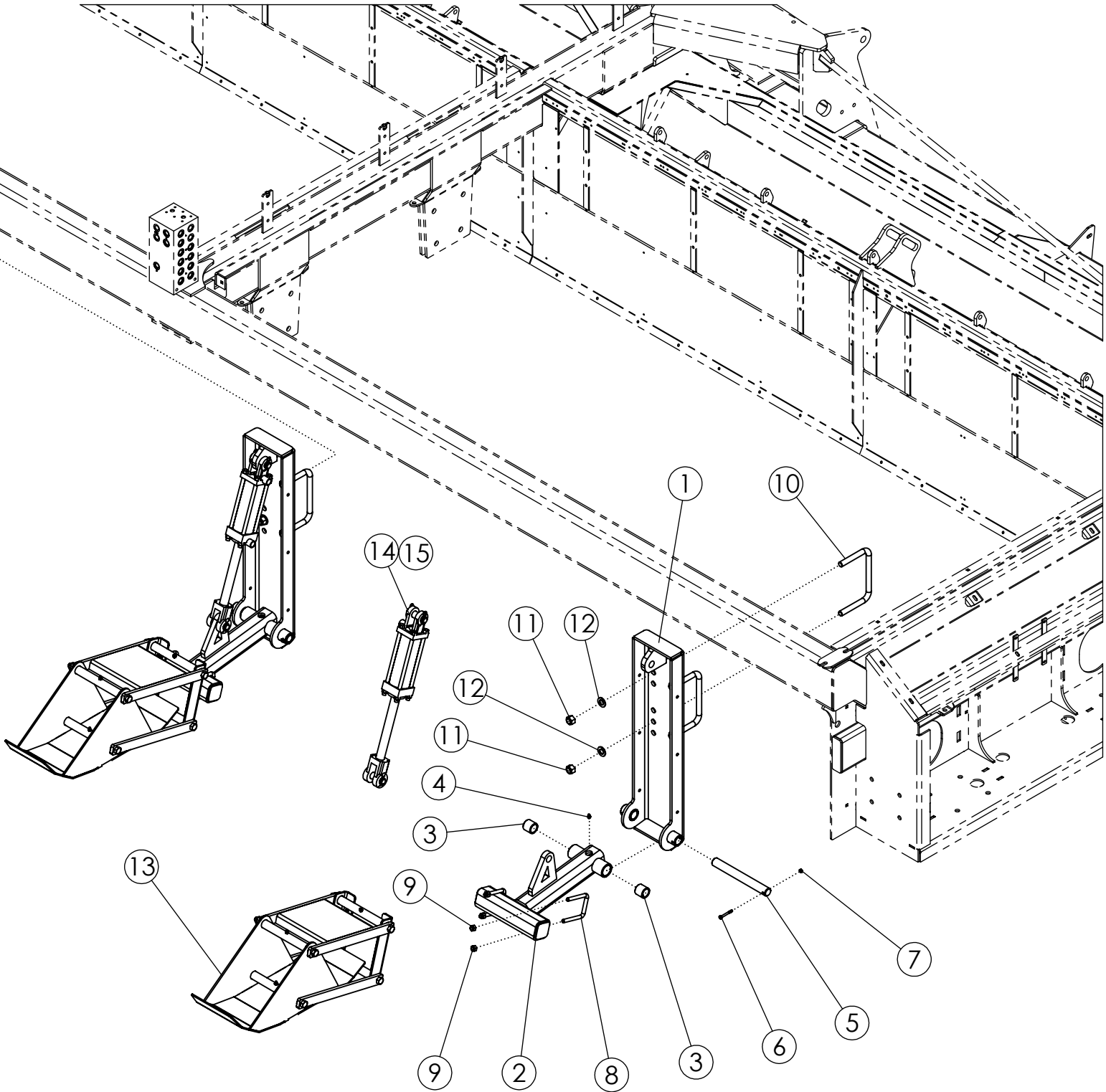
REAR STRUT HYDRAULICS (306010)



REAR STRUT HYDRAULICS (306010)

ITEM	PART NO.	DESCRIPTION	QTY
1	63499	CYLINDER-REPHASING 3.00 X 8.00	1
2	301314	SEAL KT-CYL 3 X 8 3000PSI UNIVERSAL	
3	63500	CYLINDER-REPHASING 3.25 X 8.00	1
4	66083	SEAL KT-CYL: 3.25 X 8.0 IN #1026895	
5	311191	PIN-CYLINDER 1.00 X 3.03" W/ GROOVE ZP	4
6	36430	RING-RETAINING 1.000 ZP	8
7	1016663	WASHER-FLAT: SAE 1.00 ZP	8
8	304190	ASSY-TRACTOR HYD COUPLERS (SILVER)	1
9	51497	KT-CYLINDER STOP	2

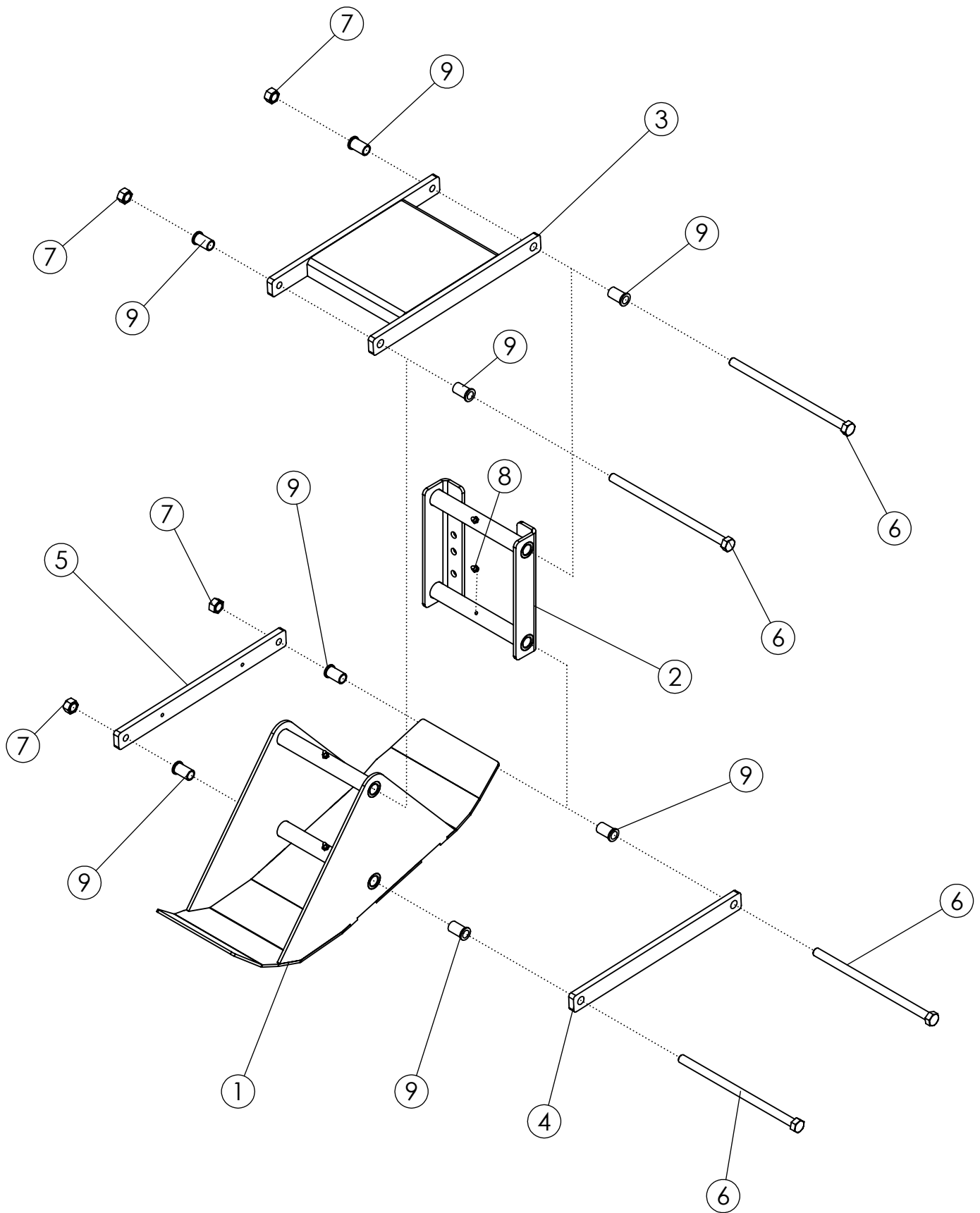
AHC FRAME MOUNT (307248)



AHC FRAME MOUNT (307248)

ITEM	PART NO.	DESCRIPTION	QTY
1	305057	WLDMT-ROW FINDER MOUNT UPPER	2
2	305587	WLDMT- AHC MOUNT	2
3	56939	BUSHING-OILITE: 1.25 X 1.625 X 1.50L	4
4	1011748	ZERK-GREASE .25 UNF STRAIGHT	2
5	305053	SHAFT-ROW FINDER	2
6	1013942	BOLT-HEX: .25 X 2.25 NC GR5	2
7	1030946	NUT-TOPLOCK: .25 NC GR5 ZP	2
8	69954	U-BOLT: .500 X 4.00 X 3 X 4.00	4
9	1027461	NUT-TOPLOCK: .50 NC GR5 ZP	8
10	56263	U-BOLT: .75 X 5.5 X 8 X 5.5	4
11	1017000	NUT-TOPLOCK: .75 NC GR5 ZP	8
12	1012634	WASHER-FLAT: SAE .75 ZP	8
13	306887	ASSY-AHC SKID	2
14	58890	CYLINDER-HYDRAULIC 3 X 8" 3000	2
15	301314	SEAL KT-CYL 3 X 8 3000PSI	

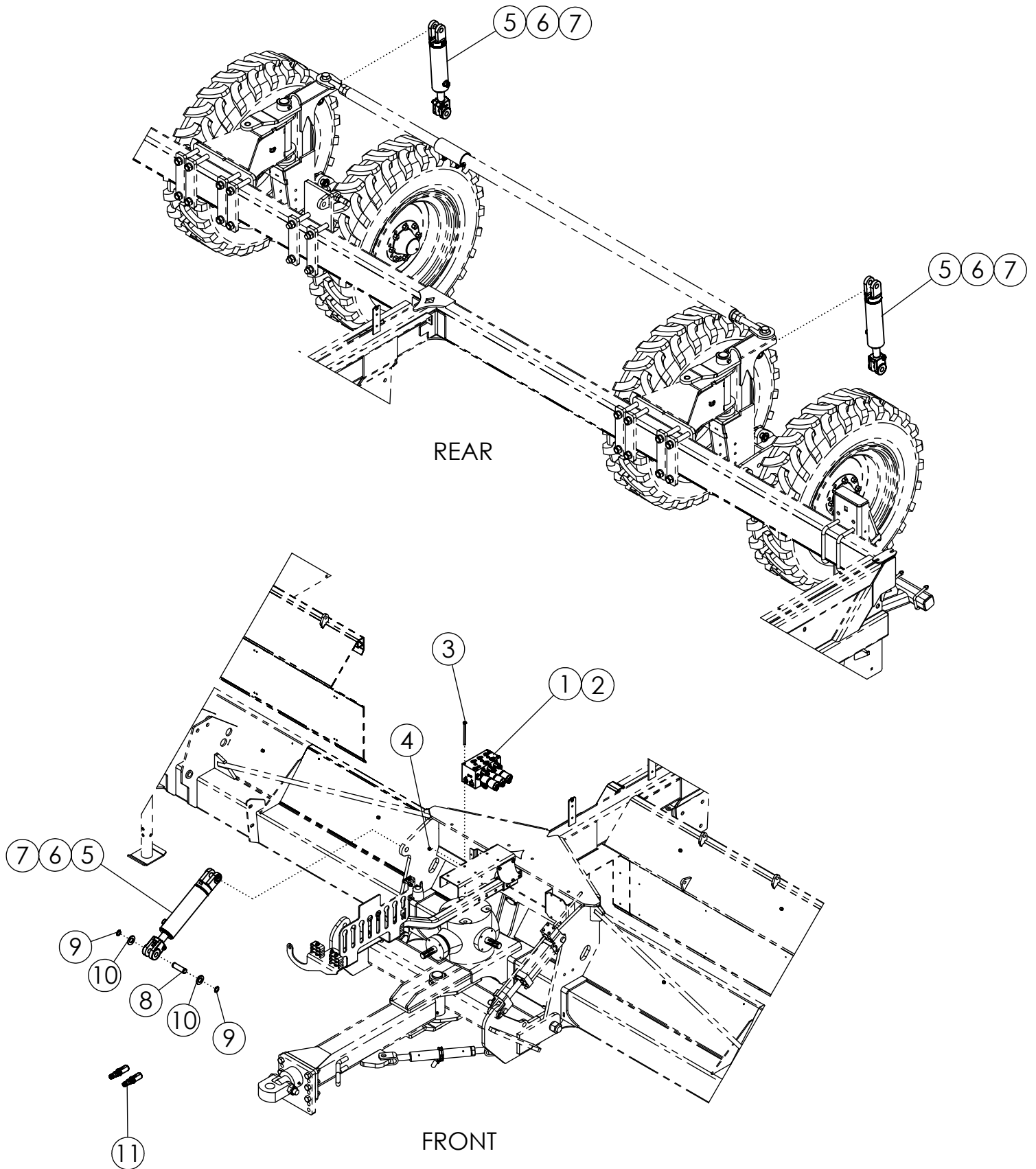
AHC SKID ASSEMBLY (306887)



AHC SKID ASSEMBLY (306887)

ITEM	PART NO.	DESCRIPTION	QTY
1	305593	WLDMT- AHC SKID	1
2	63551	WLDMT-BASKET MOUNT	1
3	306849	WLDMT-UPPER PARALLEL LINK AHC	1
4	63555	BAR-PARALLEL LINK PAINTED	1
5	306848	BAR-PARALLEL LINK AHC THREADED PC	1
6	306752	BOLT-HEX: .63 X 11.94 NC GR5 ZP	4
7	59316	NUT-CENTERLOCK: .625 NC GR5 ZP	4
8	1011748	ZERK-GREASE .25 UNF STRAIGHT	4
9	306080	BUSHING-FLANGE: .628 X .816 X 1.4375L	8

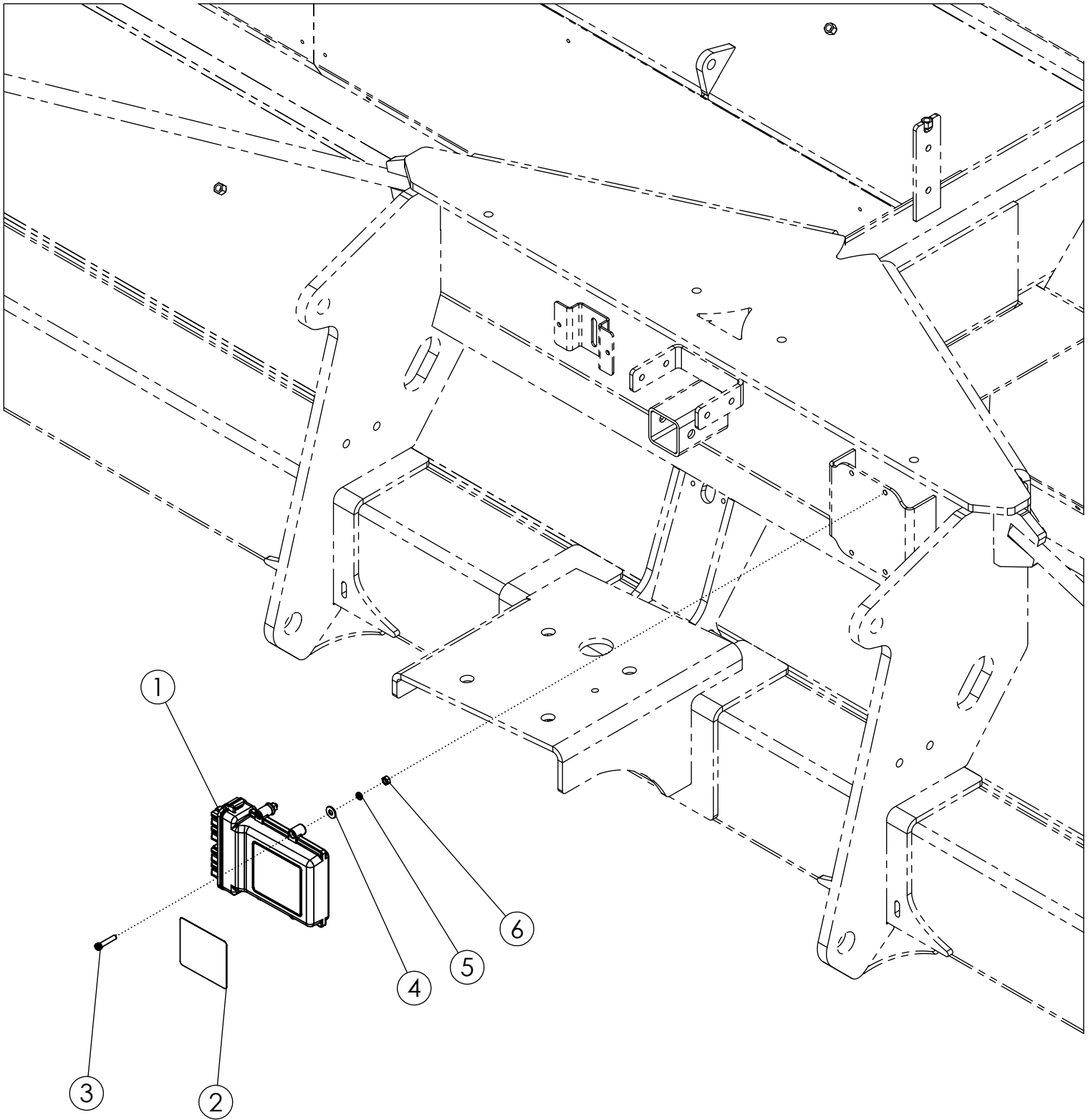
AHC BASE COMPONENTS (307380)



AHC BASE COMPONENTS (307380)

ITEM	PART NO.	DESCRIPTION	QTY
1	305939	VALVE-3 BANK AHC	1
2	306996	KT-SEAL FOR 305939	
3	306893	BOLT-HEX: .31 X 5.50 NC GR5 ZP	2
4	1030700	NUT-TOPLOCK: .31 NC GR5 ZP	2
5	307298	CYLINDER-HYD 3 X 8-3000-0° AHC (REPLACEABLE SENSOR)	3
6	307302	KT-SEAL FOR 307298 CYL	
7	307299	SENSOR-ROTA INTERNAL LINEAR SENSOR	
8	311191	PIN-CYLINDER 1.00 X 3.03" W/ GROOVE ZP	6
9	36430	RING-RETAINING 1.000 ZP	12
10	1016663	WASHER-FLAT: SAE 1.00 ZP	12
11	304190	ASSY-TRACTOR HYD COUPLERS (SILVER)	1

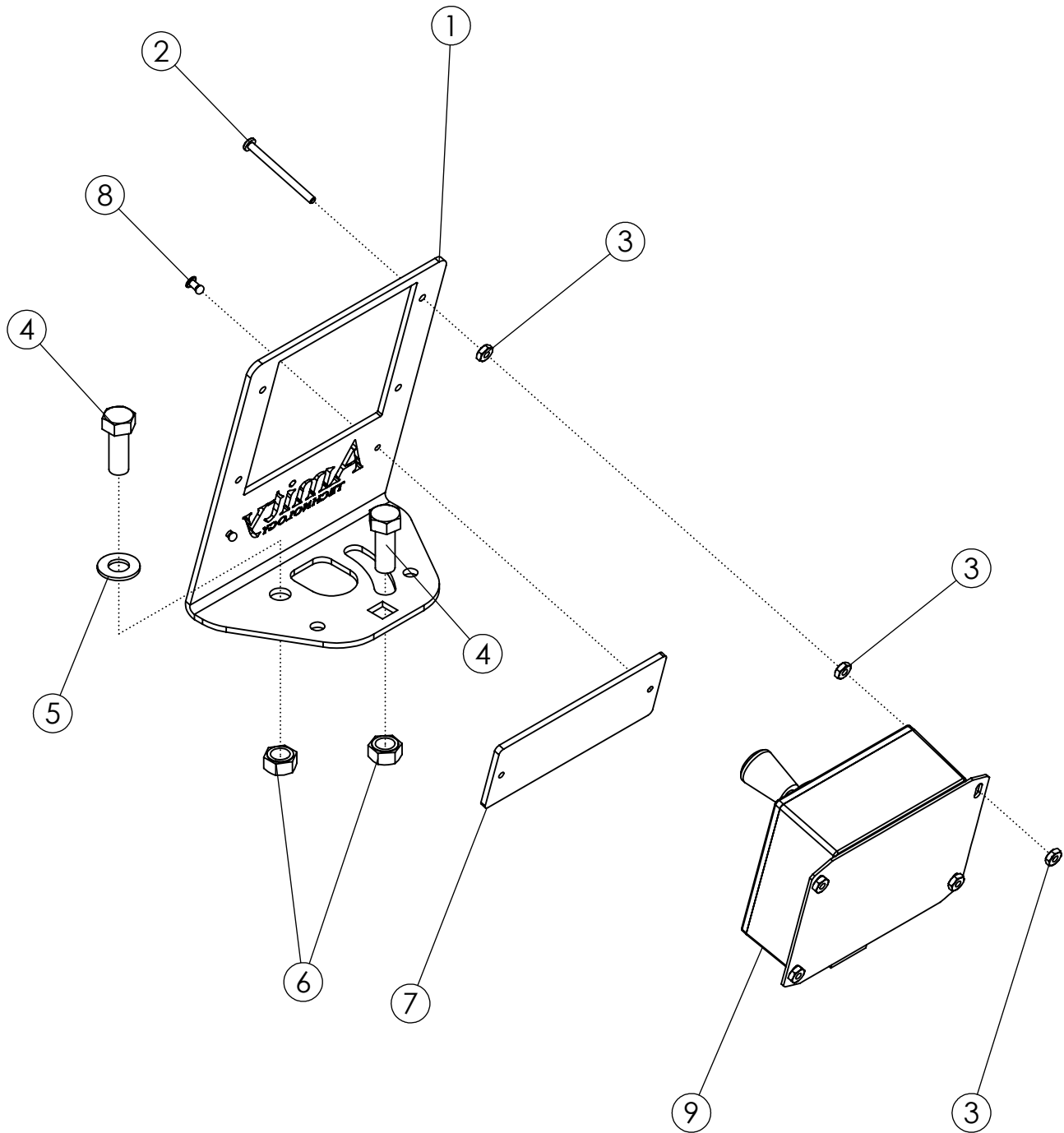
AHC ISOBUS CONTROLLER (307250)



AHC ISOBUS CONTROLLER (307250)

ITEM	PART NO.	DESCRIPTION	QTY
1	307251	CONTROLLER- JCA FALCON CONTROLLER (AHC)	1
2	307252	DECAL-AHC CONTROLLER	1
3	304214	BOLT-SHCS: .25 X 1.25 NC ZP	4
4	1020416	WASHER-FLAT: .25 ZP	4
5	1013242	WASHER-LOCK: .25 ZP	4
6	1011587	NUT-HEX: .25 NC GR5 ZP	4

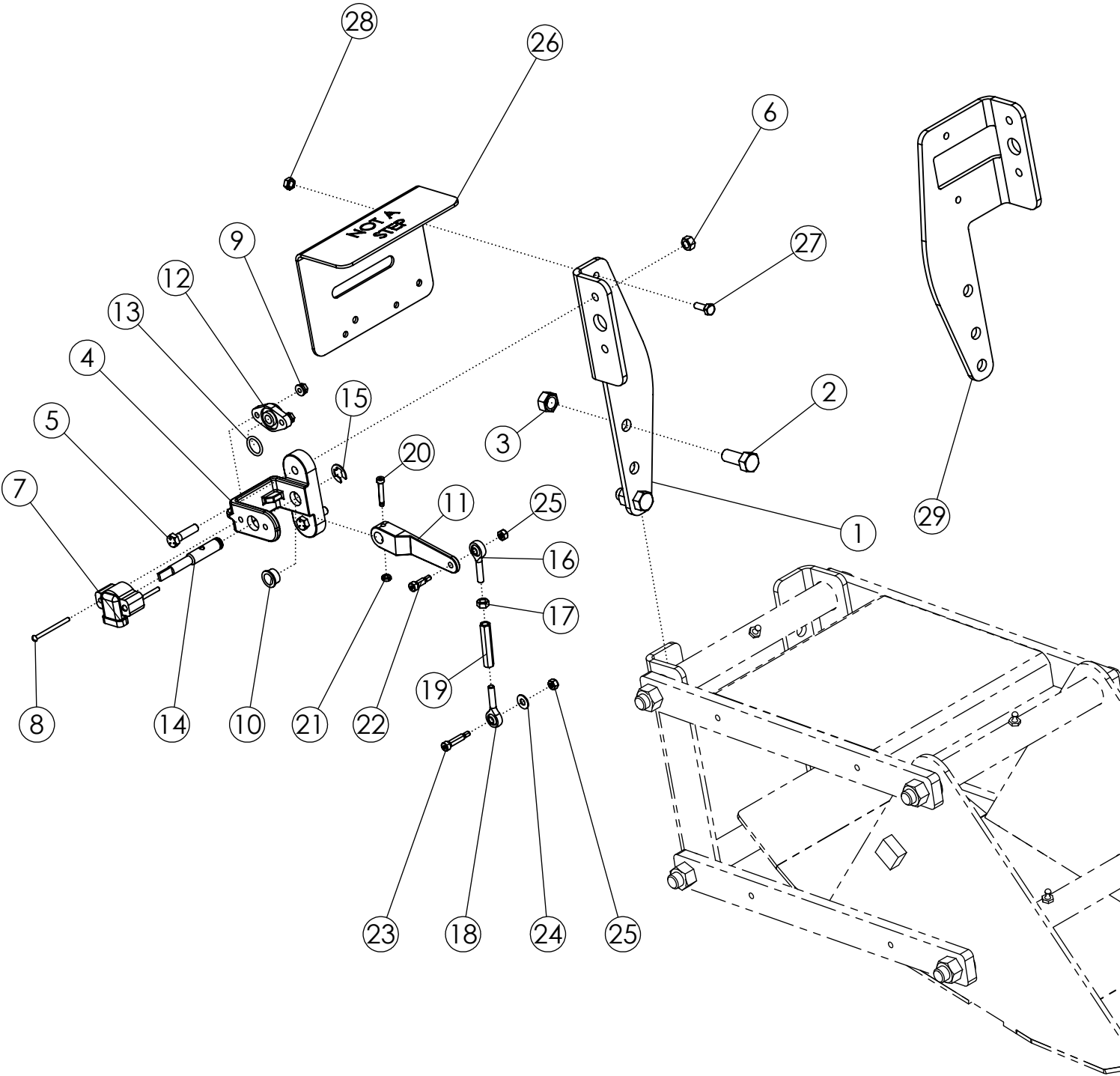
AHC/ADC JOYSTICK W/ MOUNT (303447)



AHC/ADC JOYSTICK W/ MOUNT (303447)

ITEM	PART NO.	DESCRIPTION	QTY
1	303451	PLATE-JOYSTICK MOUNT	1
2	1019992	SCREW P-H: #6 X 1.75 NC GR5 ZP	4
3	1040448	#6 NUT	12
4	1011600	BOLT-HEX: .38 X 1.00 NC GR5 ZP	2
5	1014608	WASHER-FLAT: SAE .38 ZP	1
6	1016999	NUT-TOPLOCK: .38 NC GR5 ZP	2
7	311514	PLATE-JOYSTICK LOGO	1
8	59882	RIVET-POP: .13 X .31 ZP	2
9	301151	ASSY-JOYSTICK & ENCLOSURE	1
10	303444	HARNESS-ADC/AHC ISOBUS JOYSTICK EXT (NOT SHOWN)	1

AHC SENSOR ASSEMBLY (307567)

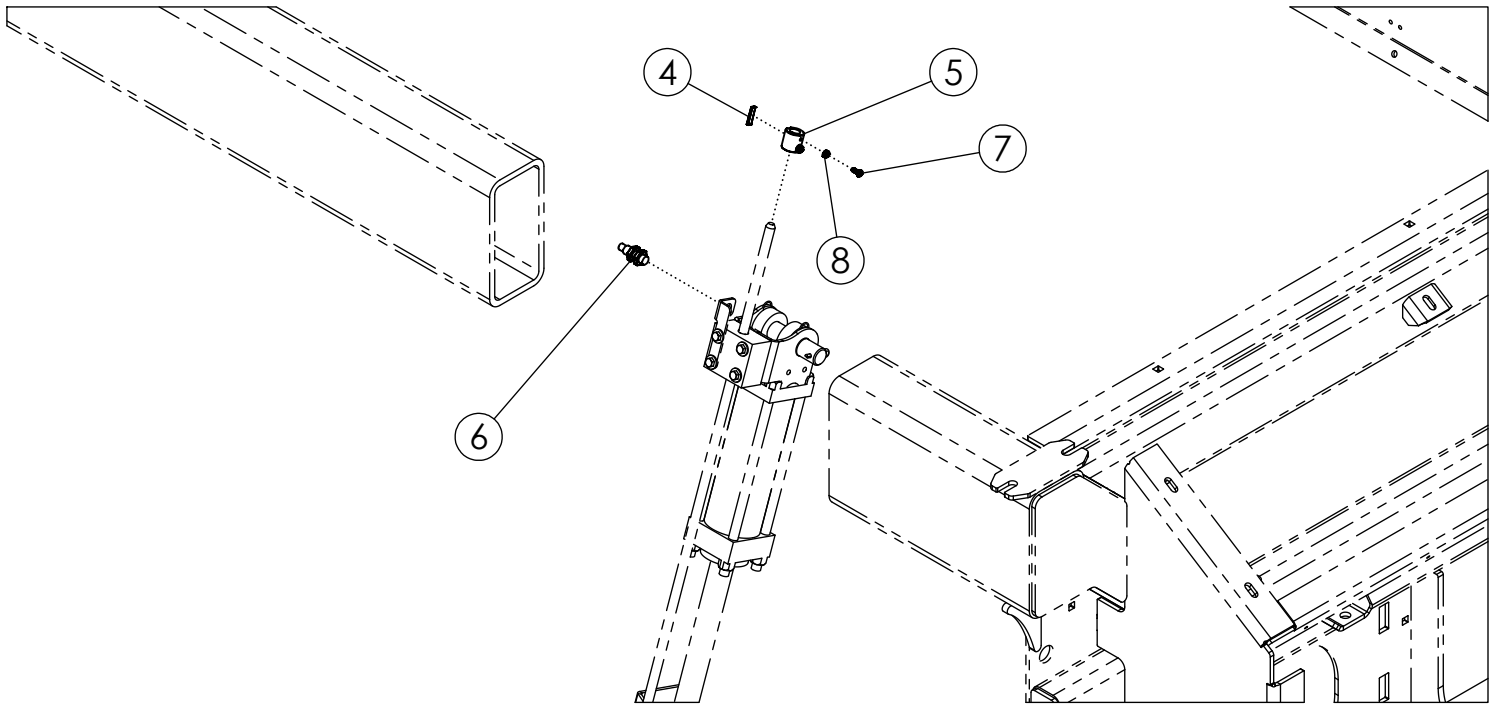


AHC SENSOR ASSEMBLY (307567)

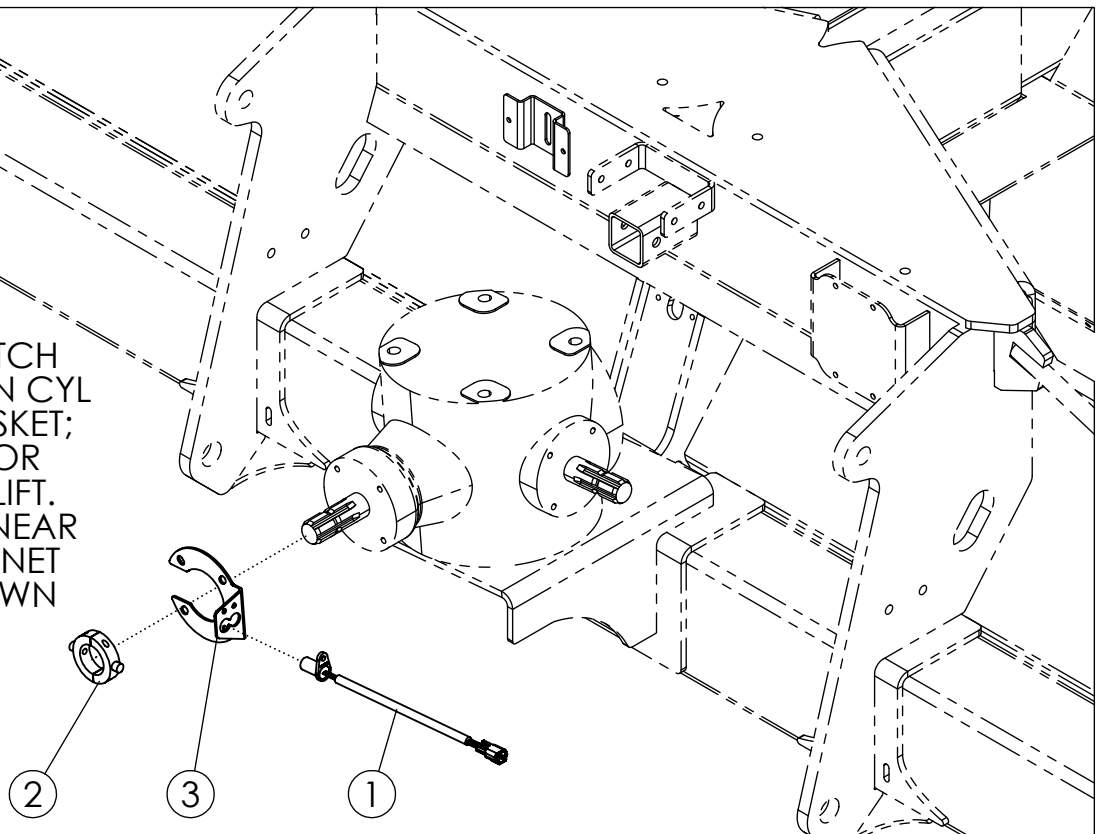
ITEM	PART NO.	DESCRIPTION	QTY
1	306835	PLATE-AHC SENSOR MOUNT BRACKET LH	1
2	1011606	BOLT-HEX: .50 X 1.25 NC GR5 ZP	4
3	1027461	NUT-TOPLOCK: .50 NC GR5 ZP	4
4	306821	SENSOR BRACKET-AHC	2
5	1032277	BOLT-HEX: .31 X 1.25 NC GR5 ZP	4
6	1030700	NUT-TOPLOCK: .31 NC GR5 ZP	4
7	73492	SENSOR-ROTARY POSITION	2
8	306836	SCREW-MACH RND: #10-24 X 2.0" PHILLIPS	4
9	1026591	NUT-K-LOCK: #10-24 NC GR2 ZP	4
10	306822	GROMMET-AHC SHAFT	2
11	306823	LEVER-AHC	2
12	306825	SUPPORT-SHAFT AHC	2
13	306826	O-RING	2
14	306827	SHAFT-AHC ZP	2
15	306895	SNAP RING: FOR 1/2" OD- 0.46 ID X .035"	2
16	306828	BALL JOINT ROD END 1/4"-28 RH	2
17	1011579	NUT-HEX: .25 NF GR2 ZP	2
18	306829	BALL JOINT ROD END 1/4"-28 LH	2
19	306830	TURNBUCKLE 1/4"-28	2
20	306831	BOLT-SHOULDER: 3/16" X 1.0" SHLD LNGTH X #8-32 THRD	2
21	307497	NUT-LOCK: #8-32 GR2 ZP THIN	2
22	306832	BOLT-SHOULDER: 1/4" X 1/2" SHLD LNGTH X #10-24 THRD	2
23	306833	BOLT-SHOULDER: 1/4" X 1.0" SHLD LNGTH X #10-24 THRD	2
24	65695	WASHER-FLAT: .25 SS	2
25	67079	NUT-NYLOCK: #10-24 NC GR2 ZP	4
26	306926	PLATE-AHC SENSOR COVER	2
27	1011595	BOLT-HEX: .25 X .75 NC GR5 ZP	4
28	1030946	NUT-TOPLOCK: .25 NC GR5 ZP	4
29	307686	PLATE-AHC SENSOR MOUNT BRACKET RH	1

AHC SENSOR KIT (306834)

PTO SENSOR MOUNT



NOTE:
ASSEMBLE WORKSWITCH
TO DEPTH SENSOR ON CYL
THAT RAISES AHC BASKET;
EITHER SCALPER LIFT OR
AHC FRAME BASKET LIFT.
SENSOR SHOULD BE NEAR
TOUCHING THE MAGNET
IN THE LOWERED/DOWN
POSITION

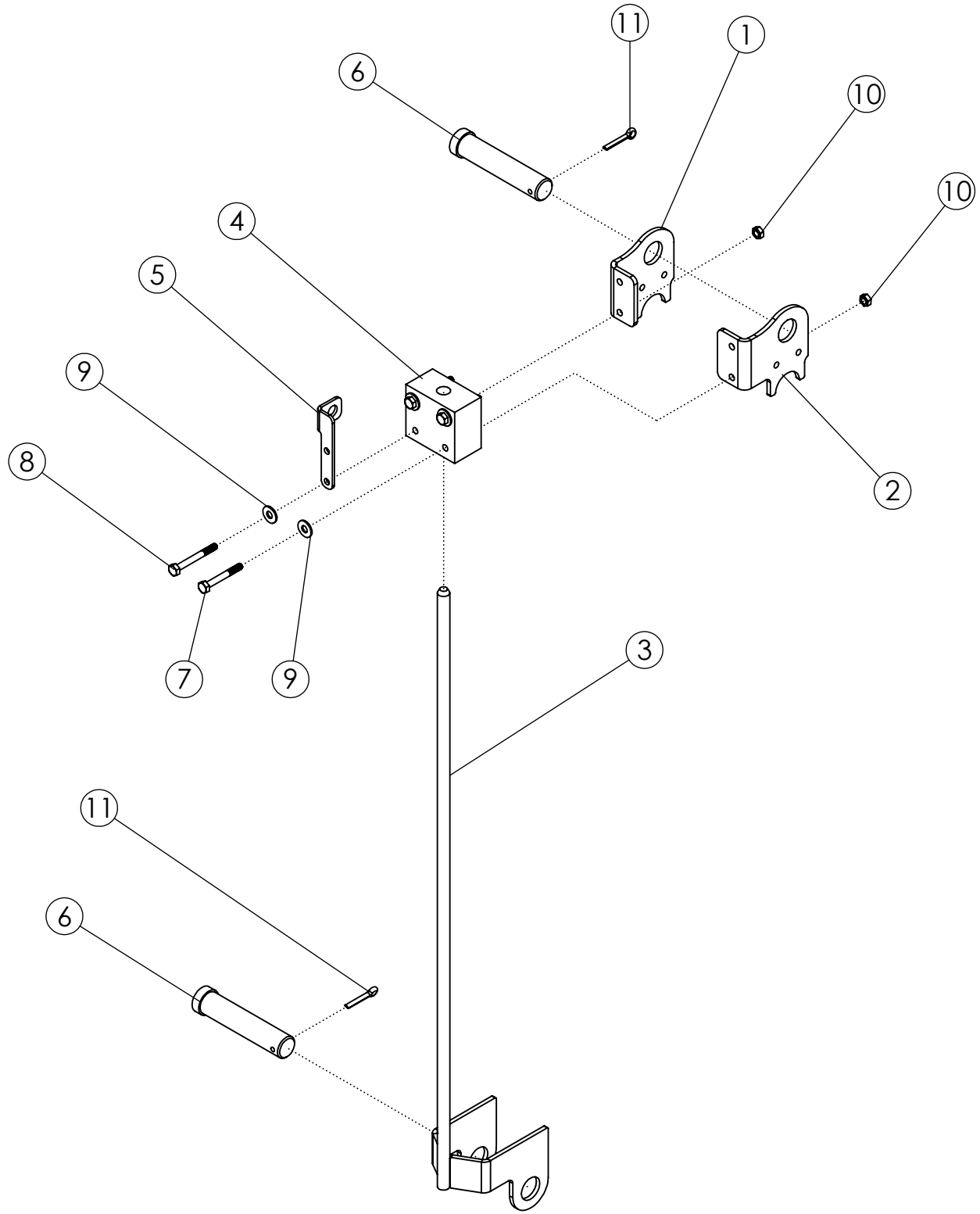


WORKSWITCH MOUNT

AHC SENSOR KIT (306834)

ITEM	PART NO.	DESCRIPTION	QTY
1	301014	SENSOR-PTO ADC	1
2	64388	WLDMT-SPLIT COLLAR 1.75"	1
3	305958	PLATE-PTO SENSOR MOUNT	1
4	305959	MAGNET-WORK SWITHC AHC	1
5	305595	TUBE-AHC MAGNET HOLDER ZP	1
6	306862	ASSY-MAGNETIC PROXIMITY SENSOR AHC	1
7	750354	SCREW-PHILLIP: #10-24 X .50	2
8	65348	NUT-HEX: SS #10-24	2

AHC DEPTH GAUGE (306976)

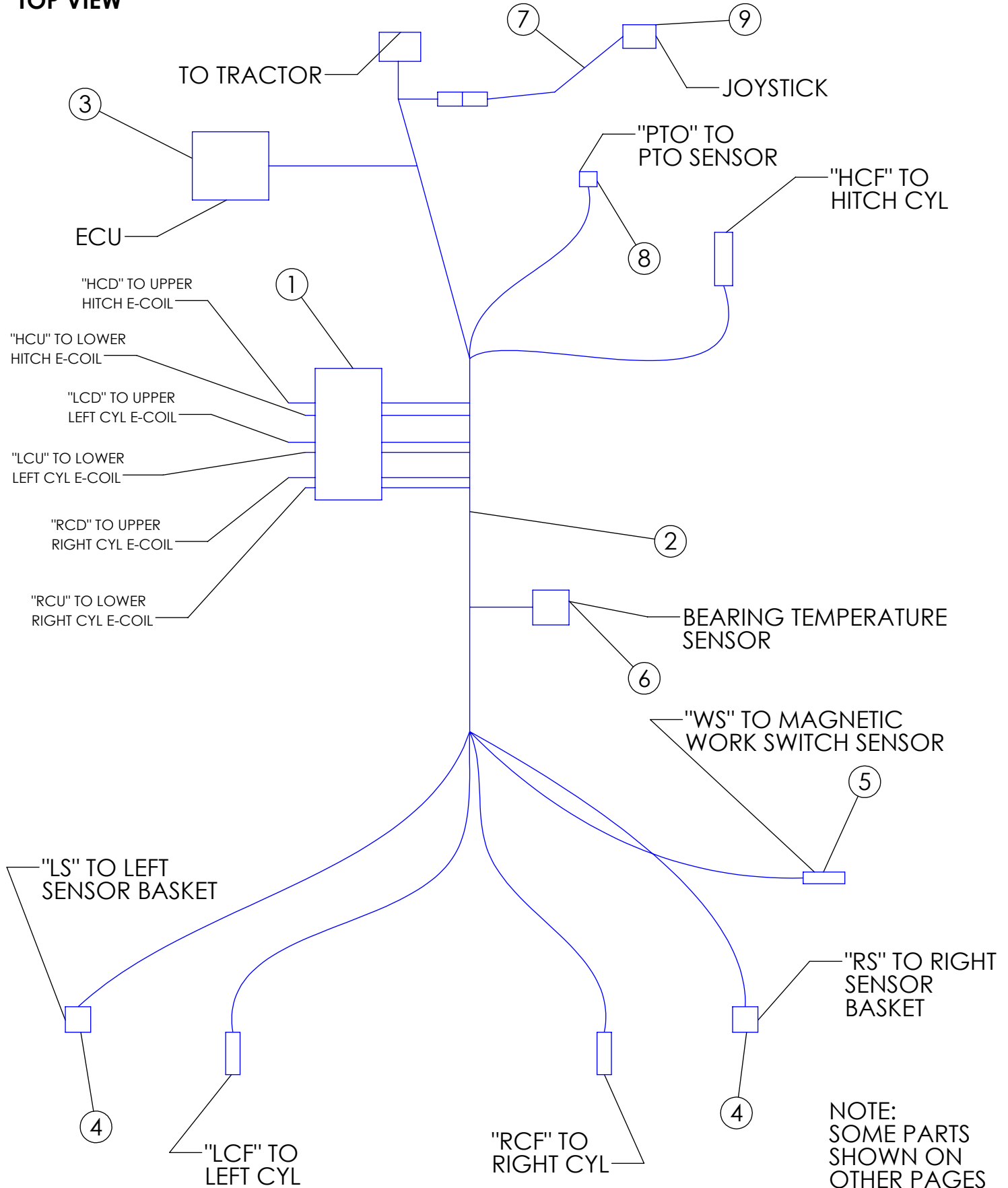


AHC DEPTH GAUGE (306976)

ITEM	PART NO.	DESCRIPTION	QTY
1	306962	PLATE-DEPTH GAUGE BRACKET RH	1
2	306963	PLATE-DEPTH GAUGE BRACKET LH	1
3	63999	WLDMT - BOTTOM BRACKET ZP	1
4	63383	POLY GUIDE BLOCK	1
5	306896	PLATE-MAGNETIC SENSOR MNT	1
6	63406	PIN-CLEVIS: 1.00 X 4.00 ZP	2
7	1016211	BOLT-HEX: .25 X 2.00 NC GR5	2
8	1013942	BOLT-HEX: .25 X 2.25 NC GR5	2
9	1020416	WASHER-FLAT: .25 ZP	4
10	1030946	NUT-TOPLOCK: .25 NC GR5 ZP	4
11	1012375	PIN-COTTER .19 X 1.50 ZP	2

AHC ELECTRICAL COMPONENTS

TOP VIEW

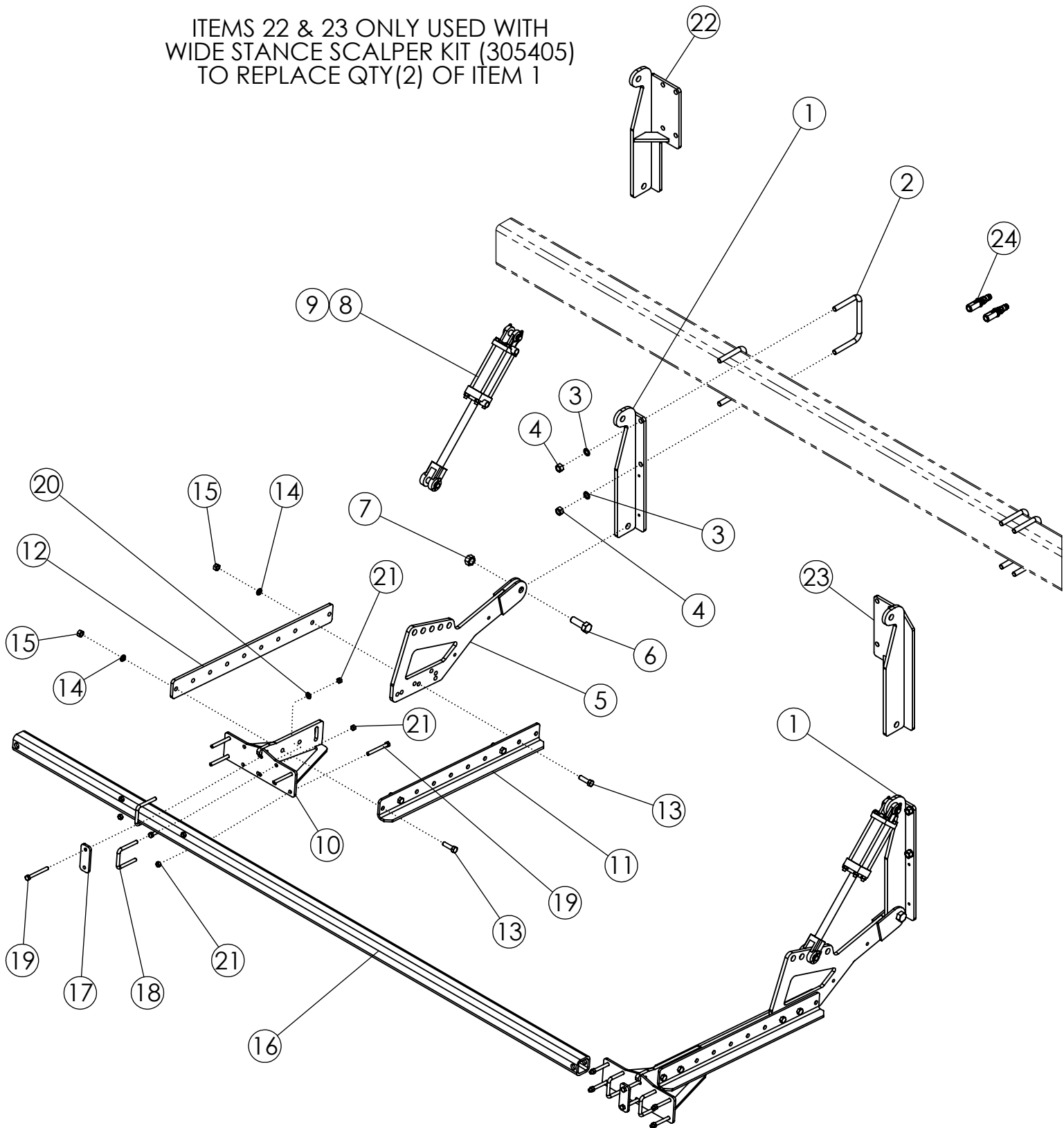


AHC ELECTRICAL COMPONENTS

ITEM	PART NO.	DESCRIPTION	QTY
1	305939	VALVE-3 BANK AHC	1
	306996	KT-SEAL FOR 305939	
2	307253	HARNESS-AHC ISOBUS MAIN	1
3	307250	ASSY-AHC ISOBUS CONTROLLER	1
4	73492	SENSOR-ROTARY POSITION	2
5	306862	ASSY-MAGNETIC PROXIMITY SENSOR AHC	1
6	307255	SENSOR-AHC TEMPERATURE SENSOR	1
7	303444	HARNESS-ADC/AHC ISOBUS JOYSTICK EXT	1
8	301014	SENSOR-PTO ADC	1
9	301151	ASSY-JOYSTICK ENCLOSURE	1

SCALPER BAR ASSEMBLY (306007/307543)

ITEMS 22 & 23 ONLY USED WITH
WIDE STANCE SCALPER KIT (305405)
TO REPLACE QTY(2) OF ITEM 1

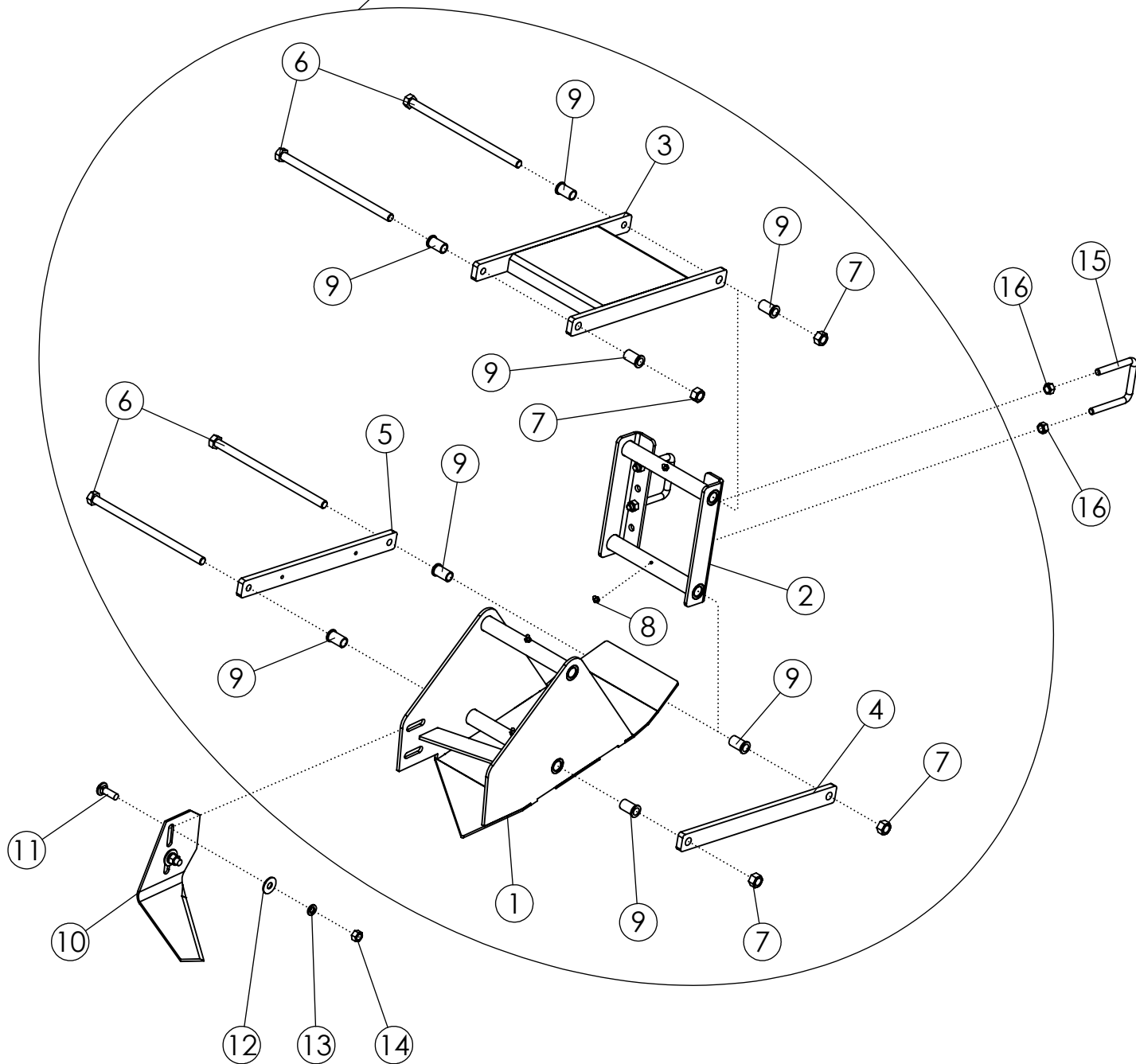


SCALPER BAR ASSEMBLY (306007/307543)

ITEM	PART NO.	DESCRIPTION	QTY
1	68239	WLDMT - MOUNT	2
2	56263	U-BOLT: .75 X 5.5 X 8 X 5.5	4
3	1012061	WASHER-LOCK: .75 ZP	8
4	1011620	NUT-HEX: .75 NC GR2 ZP	8
5	69126	WLDMT-SCALPER ARM MNT	2
6	1018007	BOLT-HEX: 1.0 X 3.00 NC GR5 ZP	2
7	1016969	NUT-TOPLOCK: 1.00 NC GR8 ZP	2
8	58890	CYLINDER-HYDRAULIC 3 X 8" 3000	2
9	301314	SEAL KT-CYL 3 X 8 3000PSI UNIVERSAL	
10	69127	WLDMT-BAR MNT BRACKET	2
11	305183	PLATE-SCALPER EXT	2
12	306101	PLATE-SCALPER EXT FLAT	2
13	1017526	BOLT-HEX .63 X 2.25 NC GR5 ZP	8
14	1011813	WASHER-LOCK: .63 ZP	8
15	1011578	NUT-HEX: .63 NC GR2 ZP	8
16	51865	SCALPER BAR 40624	1
17	51551	BAR-BASKET MOUNTING	2
18	69954	U-BOLT: .500 X 4.00 X 3 X 4.00	4
19	1013682	BOLT-HEX: .50 X 4.50 NC GR5 ZP	12
20	1011584	WASHER-FLAT: SAE .50 ZP	4
21	1027461	NUT-TOPLOCK: .50 NC GR5 ZP	20
22	305406	WLDMT-MOUNT EXTENDED LH	1
23	305407	WLDMT-MOUNT EXTENDED RH	1
24	304188	ASSY-TRACTOR HYD COUPLERS (GREEN)	1

SCALPER BASKET LONG W/ HARDWARE (51475)

SCALPER BASKET LONG W/O HARDWARE
(PN 63462) ONLY INCLUDES ITEMS 1-9

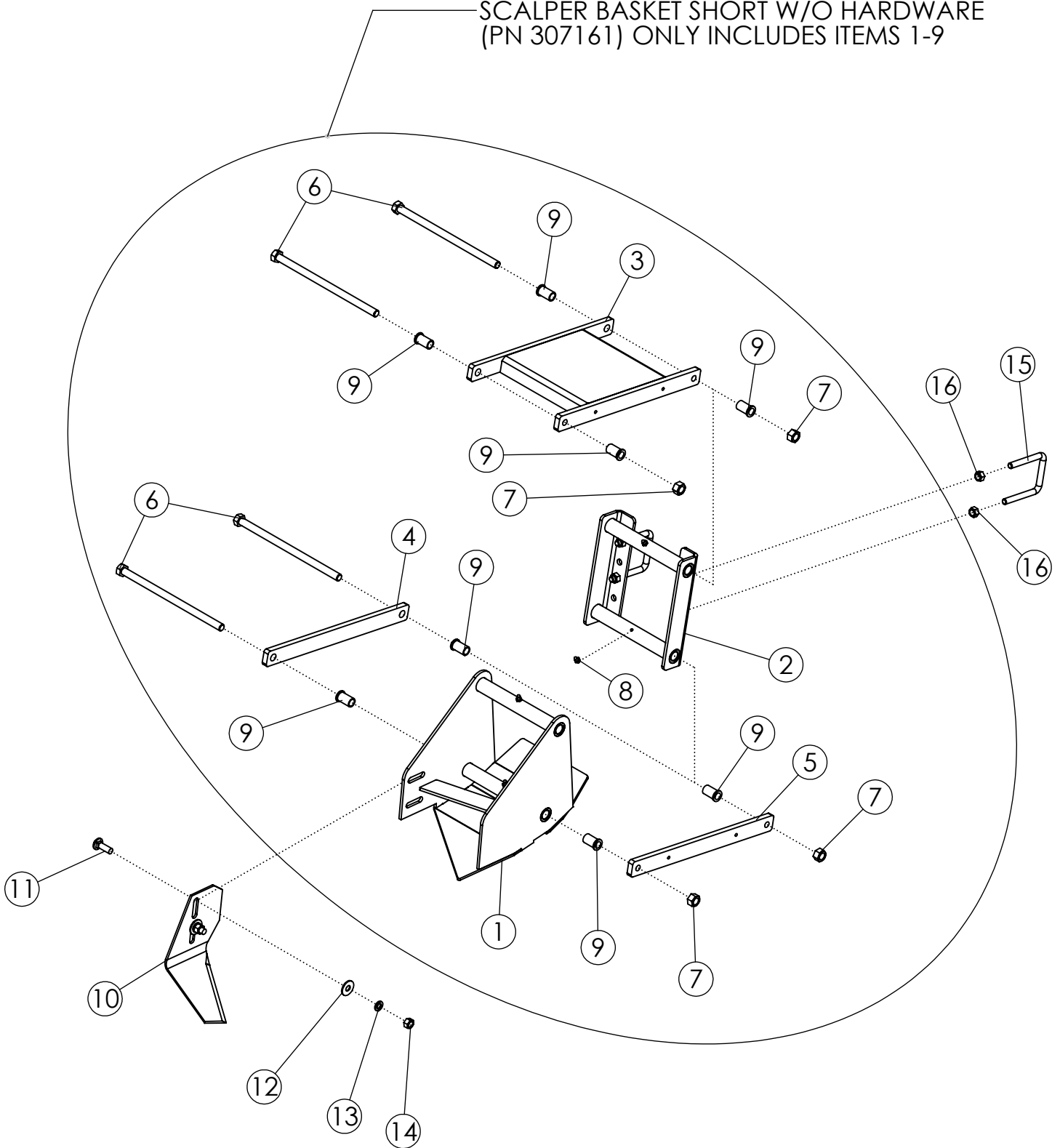


SCALPER BASKET LONG W/ HARDWARE (51475)

ITEM	PART NO.	DESCRIPTION	QTY
1	63550	WLDMT-BASKET FRAME	1
2	63551	WLDMT-BASKET MOUNT	1
3	306849	WLDMT-UPPER PARALLEL LINK AHC	1
4	63555	BAR-PARALLEL LINK PAINTED	1
5	306848	BAR-PARALLEL LINK AHC THREADED PC	1
6	306752	BOLT-HEX: .63 X 11.94 NC GR5 ZP	4
7	59316	NUT-CENTERLOCK: .625 NC GR5 ZP	4
8	1011748	ZERK-GREASE .25 UNF STRAIGHT	4
9	306080	BUSHING-FLANGE: .628 X .816 X 1.4375L	8
10	51782	SCALPER KNIFE-HEAT TREAT	1
11	1011660	BOLT-CRG: .50 X 1.50 NC GR5 ZP	2
12	1014443	WASHER-FLAT: .50 ZP	2
13	1011581	WASHER-LOCK: .50 ZP	2
14	1011577	NUT-HEX: .50 NC GR2 ZP	2
15	69954	U-BOLT: .500 X 4.00 X 3 X 4.00	2
16	1027461	NUT-TOPLOCK: .50 NC GR5 ZP	4

SCALPER BASKET SHORT W/ HARDWARE (307160)

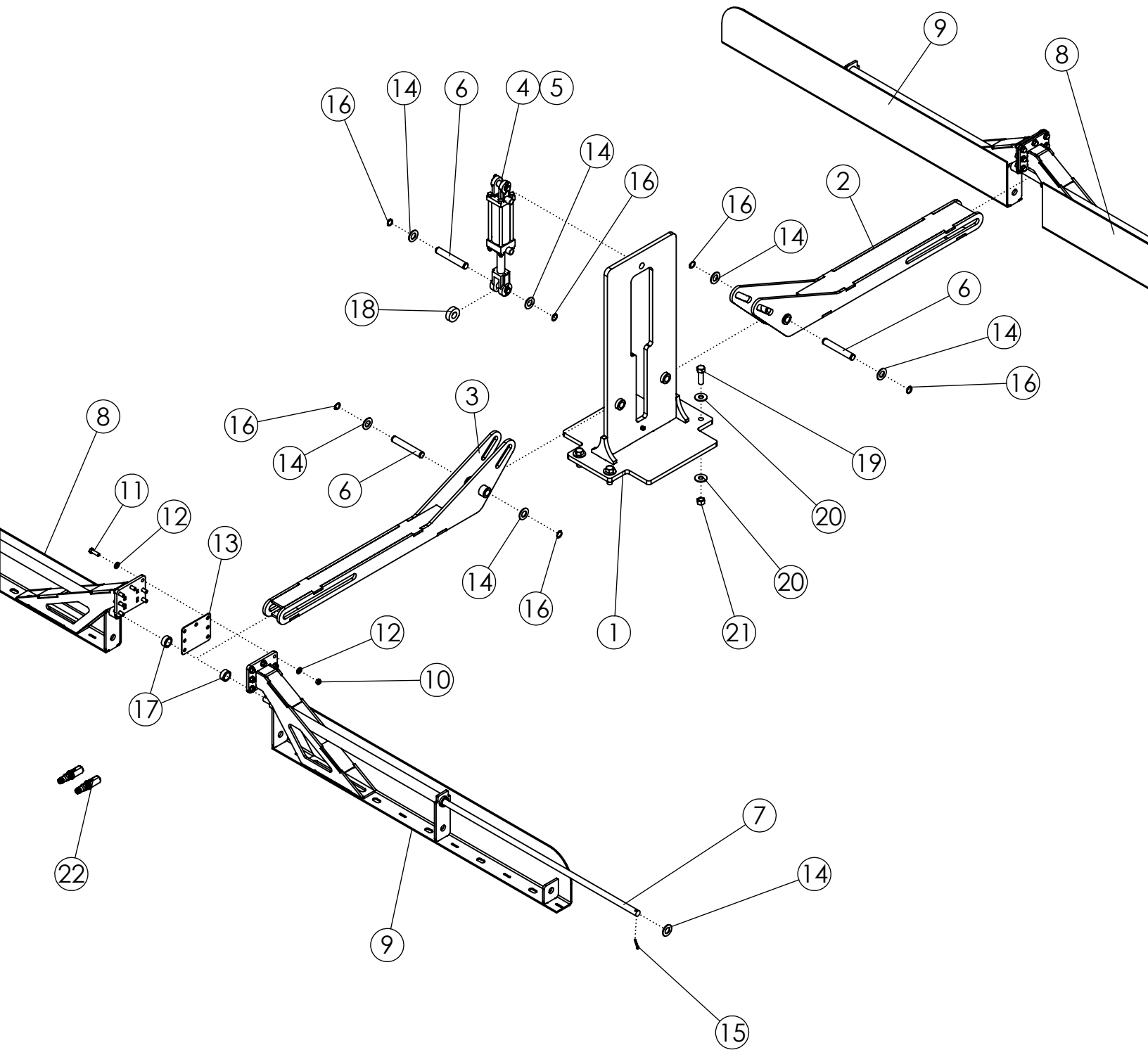
SCALPER BASKET SHORT W/O HARDWARE
(PN 307161) ONLY INCLUDES ITEMS 1-9



SCALPER BASKET SHORT W/ HARDWARE (307160)

ITEM	PART NO.	DESCRIPTION	QTY
1	306948	WLDMT-BASKET FRAME V2	1
2	63551	WLDMT-BASKET MOUNT	1
3	306849	WLDMT-UPPER PARALLEL LINK AHC	1
4	63555	BAR-PARALLEL LINK PAINTED	1
5	306848	BAR-PARALLEL LINK AHC THREADED PC	1
6	306752	BOLT-HEX: .63 X 11.94 NC GR5 ZP	4
7	59316	NUT-CENTERLOCK: .625 NC GR5 ZP	4
8	1011748	ZERK-GREASE .25 UNF STRAIGHT	4
9	306080	BUSHING-FLANGE: .628 X .816 X 1.4375L	8
10	51782	SCALPER KNIFE-HEAT TREAT	1
11	1011660	BOLT-CRG: .50 X 1.50 NC GR5 ZP	2
12	1014443	WASHER-FLAT: .50 ZP	2
13	1011581	WASHER-LOCK: .50 ZP	2
14	1011577	NUT-HEX: .50 NC GR2 ZP	2
15	69954	U-BOLT: .500 X 4.00 X 3 X 4.00	2
16	1027461	NUT-TOPLOCK: .50 NC GR5 ZP	4

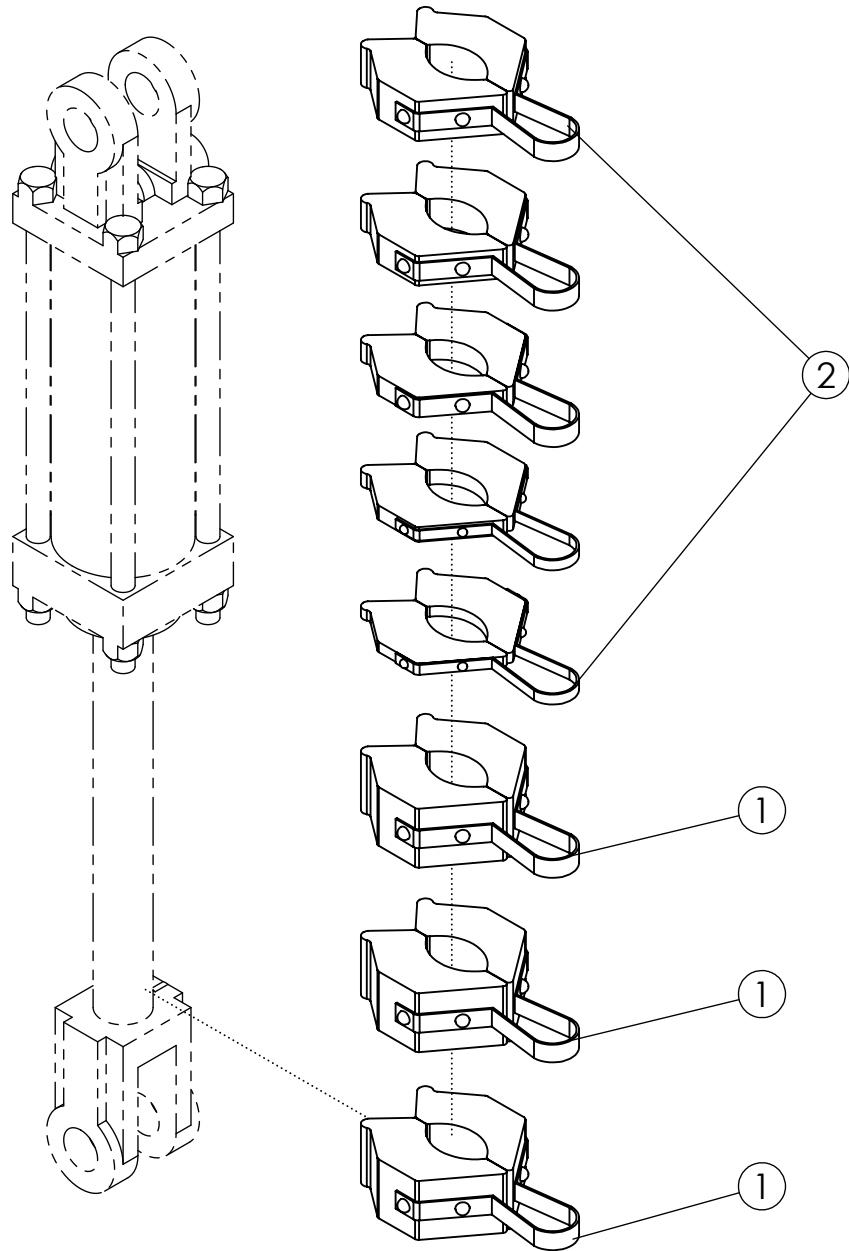
TOP DOOR LIFT (305401)



TOP DOOR LIFT (305401)

ITEM	PART NO.	DESCRIPTION	QTY
1	305357	WLDMT-DEF TOP DOOR TOWER	1
2	305361	WLDMT-DEF TOP DOOR ARMS REAR	1
3	305364	WLDMT-DEF TOP DOOR ARMS FRONT	1
4	58890	CYLINDER-HYDRAULIC 3 X 8" 3000	1
5	301314	SEAL KT-CYL 3 X 8 3000PSI UNIVERSAL	
6	305380	PIN-DEF TOP DOOR TOWER	3
7	306903	ROD-DEF TOP DOOR ROLLER SHAFT 6R	2
8	306898	WLDMT-DEF TOP DOOR 6R WING A	2
9	306899	WLDMT-DEF TOP DOOR 6R WING B	2
10	1027461	NUT-TOPLOCK: .50 NC GR5 ZP	14
11	1011607	BOLT-HEX: .50 X 1.50 NC GR5 ZP	14
12	1032505	WASHER-FLAT: SAE .50 GR8 ZP	28
13	307690	PLATE-SHIM 00 TOP DOORS	2
14	1016663	WASHER-FLAT: SAE 1.00 ZP	10
15	1016944	PIN-COTTER: .25 X 2.00 ZP	4
16	36430	RING-RETAINING 1.000 ZP	6
17	305379	BUSHING-DEF TOP DOOR WING FRONT ZP	2
18	305381	PLATE-CYLINDER ROLLER ZP	1
19	1016598	BOLT-HEX: .75 X 2.50 NC GR5 ZP	4
20	1030702	WASHER-FLAT .75 ZP	8
21	1017000	NUT-TOPLOCK: .75 NC GR5 ZP	4
22	304185	ASSY-TRACTOR HYD COUPLERS (RED)	1

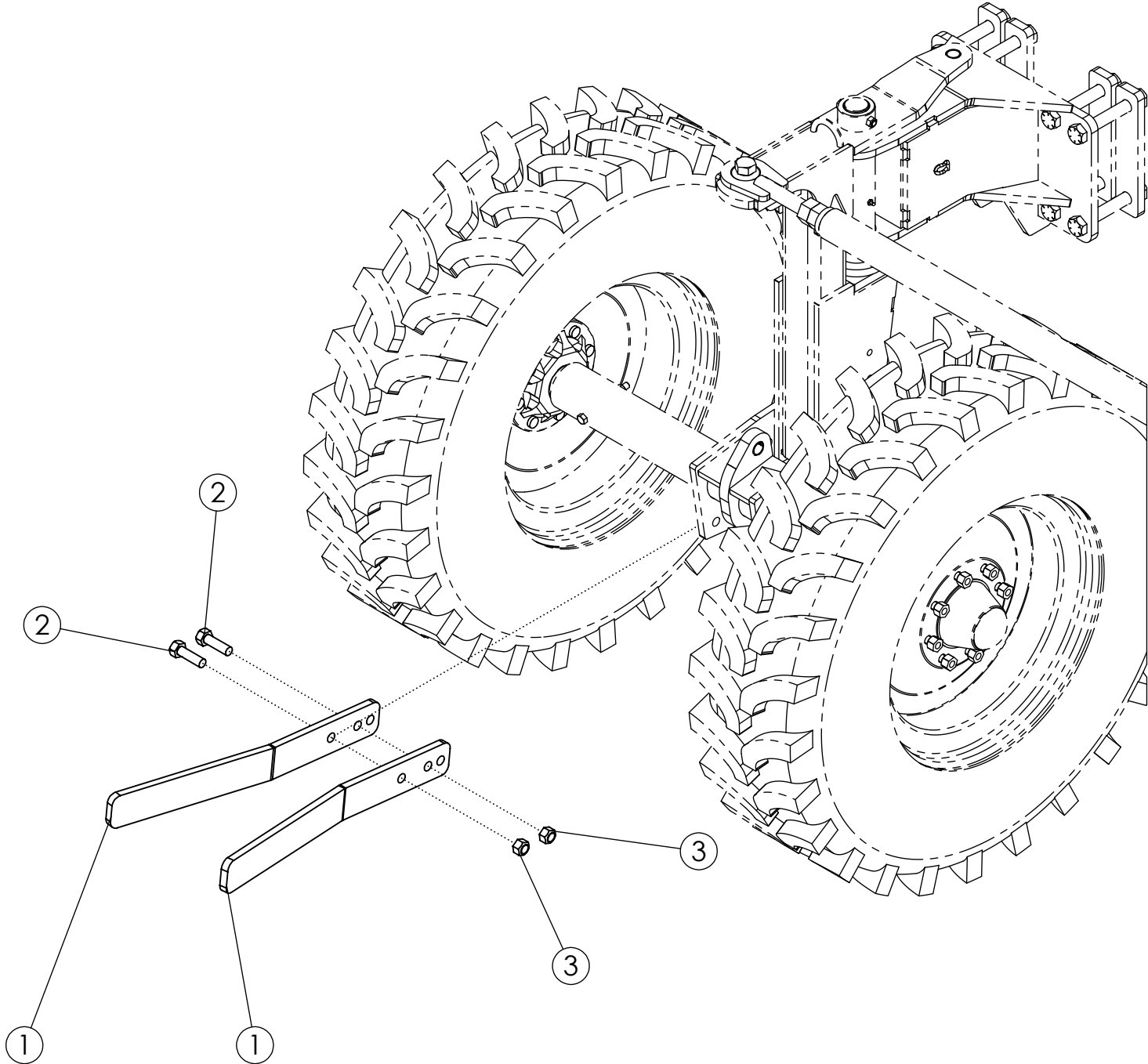
CYLINDER STOP KIT (51509)



CYLINDER STOP KIT (51509)

ITEM	PART NO.	DESCRIPTION	QTY
1	54004	STOP-CYLINDER 1.5" (SILVER)	3
2	52320	CYLINDER STOP A-KT (.25 X 1.00)	1

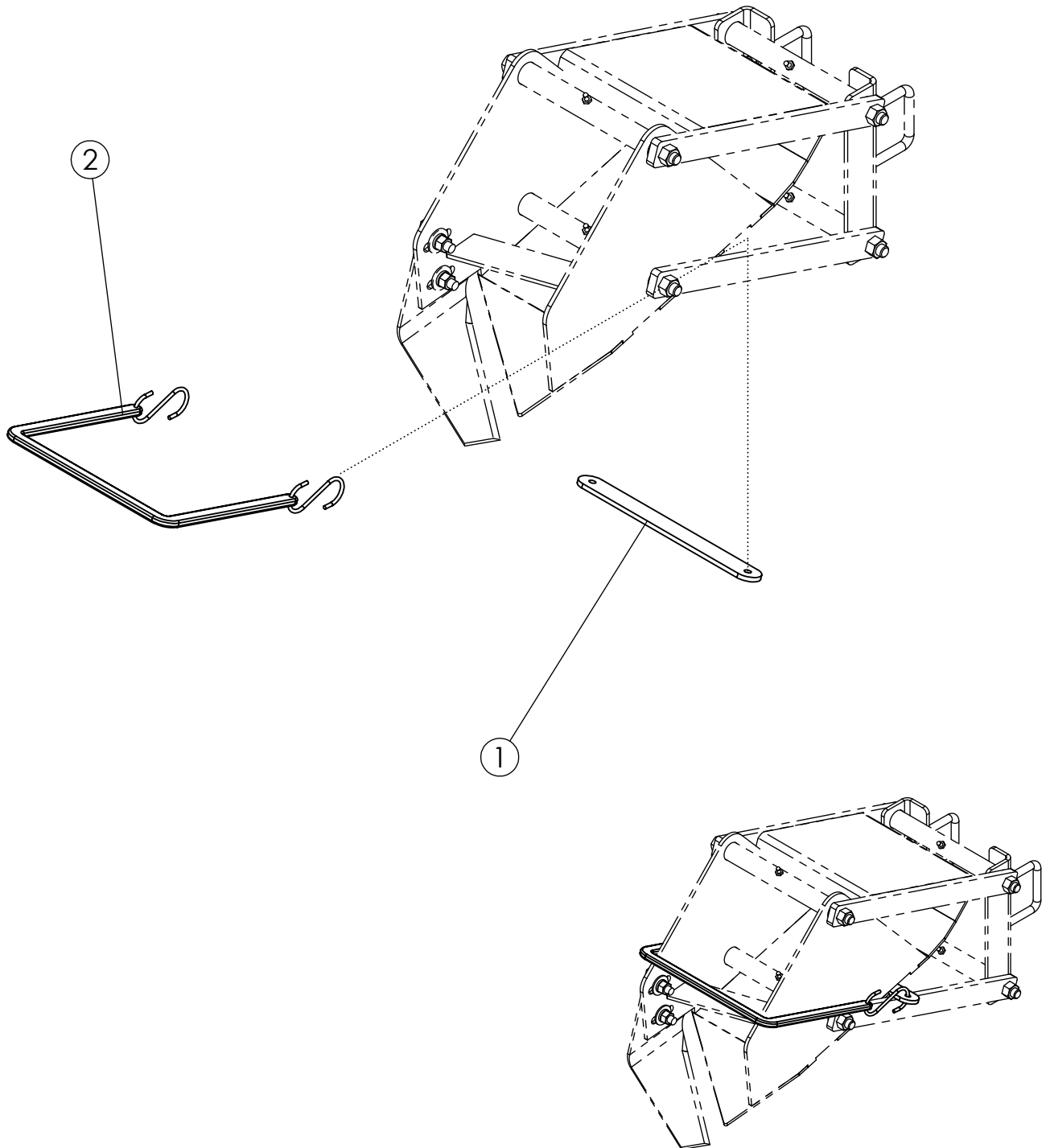
REAR TIRE SCRAPERS (305779)



REAR TIRE SCRAPERS (305779)

ITEM	PART NO.	DESCRIPTION	QTY
1	305640	PLATE-SCRAPER 11.2-24 DEF	4
2	1016598	BOLT-HEX: .75 X 2.50 NC GR5 ZP	8
3	1017000	NUT-TOPLOCK: .75 NC GR5 ZP	8

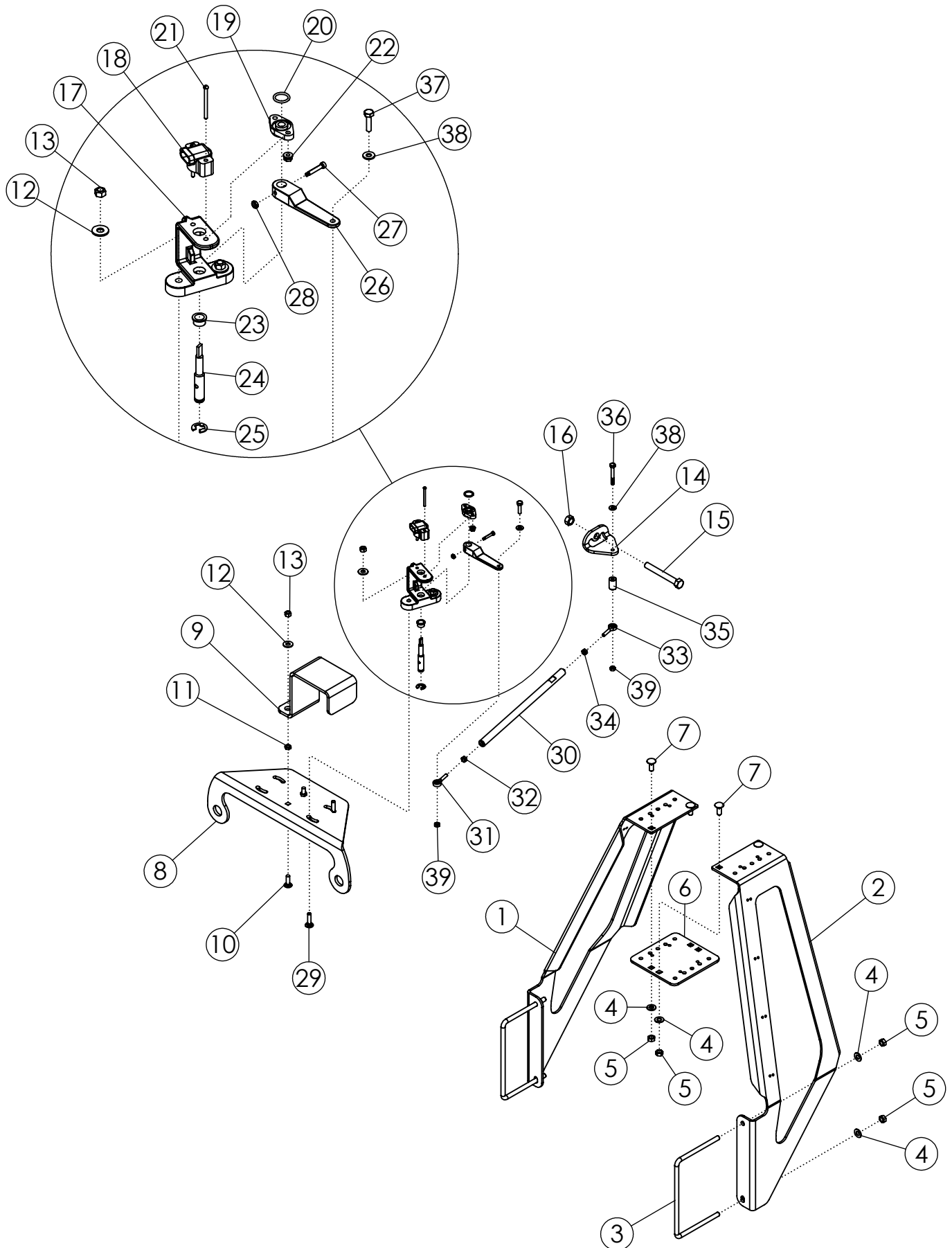
SCALPER LOCK UP KIT (307257)



SCALPER LOCK UP KIT (307257)

ITEM	PART NO.	DESCRIPTION	QTY
1	306947	PLATE-SCALPER LOCK UP V2	1
2	306974	BUNGEE STRAP FOR SCALPER	1

JD GPS GUIDANCE MOUNTS (307875)



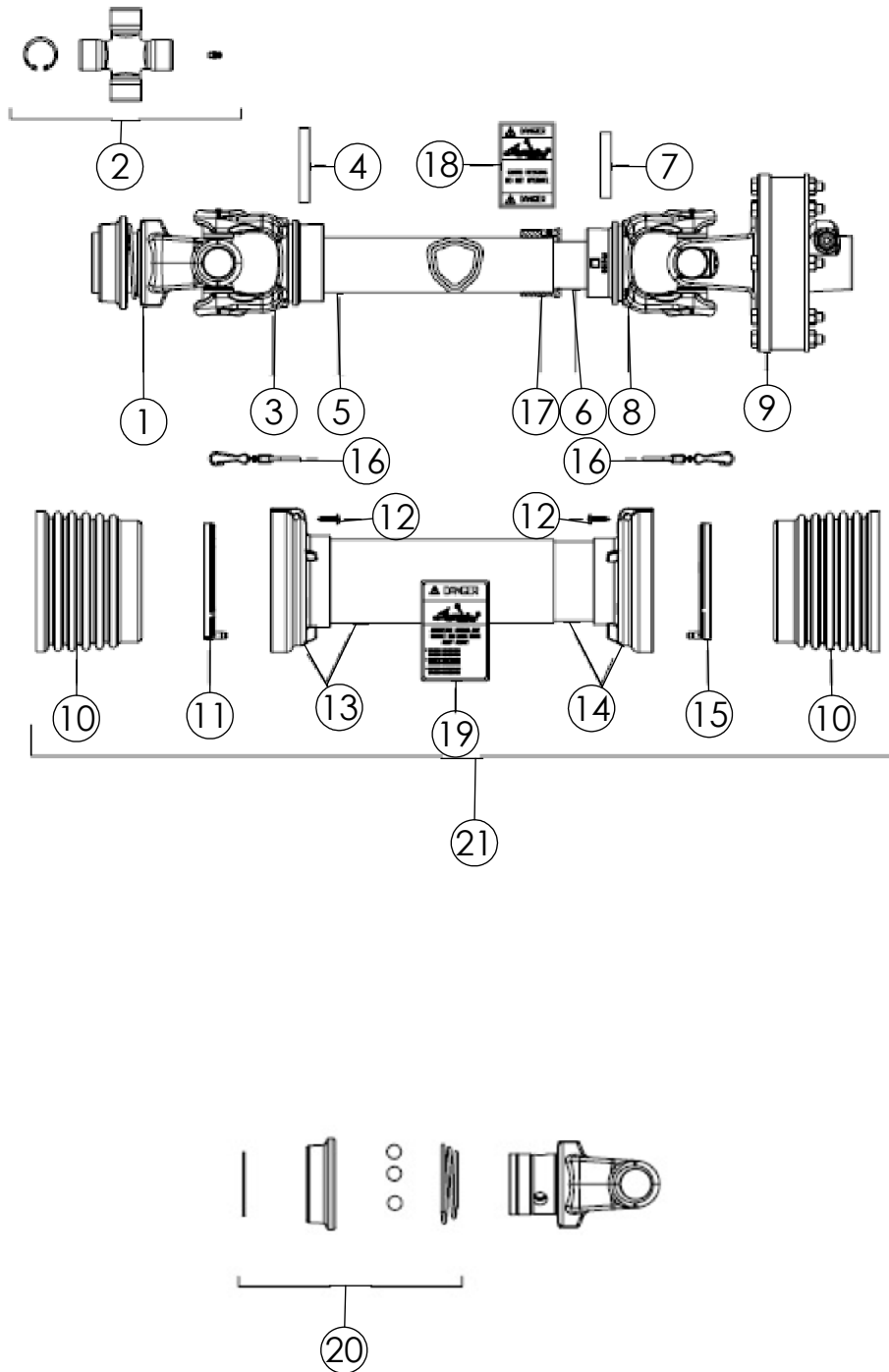
JD GPS GUIDANCE MOUNTS (307875)

ITEM	PART NO.	DESCRIPTION	QTY
1	307876	PLATE-GLOBE MOUNT RH	1
2	307877	PLATE-GLOBE MOUNT LH	1
3	64244	U-BOLT: .375 X 5.125 X 8.063 X 5.125	2
4	1014608	WASHER-FLAT: SAE .38 ZP	8
5	1016999	NUT-TOPLOCK: .38 NC GR5 ZP	8
6	307878	PLATE-GLOBE MOUNT CONNECTION	1
7	59488	BOLT-CRG: .38 X 1.00 NC GR5 ZP	4
8	307879	PLATE-SENSOR MOUNT	1
9	307880	PLATE-SENSOR SHEILD	1
10	1017255	BOLT-CRG: .31 X 1.00 NC GR5 ZP	2
11	1020506	NUT-JAM: .31 NC GR2 ZP	2
12	1011583	WASHER-FLAT: .31 ZP	4
13	301749	NUT-TOPLOCK: .31 NC GR8 ZP	4
14	307881	PLATE-SENSOR PIVOT ARM	1
15	1032507	BOLT-HEX: .50 X 4.00 NC GR5 ZP	1
16	1027461	NUT-TOPLOCK: .50 NC GR5 ZP	1
17	306821	SENSOR BRACKET-AHC	1
18	73492	SENSOR-ROTARY POSITION	1
19	306825	SUPPORT-SHAFT AHC	1
20	306826	O-RING	1
21	306836	SCREW-MACH RND: #10-24 X 2.0" PHILLIPS	2
22	1026591	NUT-K-LOCK: #10-24 NC GR2 ZP	2
23	306822	GROMMET-AHC SHAFT	1
24	306827	SHAFT-AHC ZP	1
25	306895	SNAP RING: FOR 1/2" OD- 0.46 ID X .035"	1
26	306823	LEVER-AHC	1
27	306831	BOLT-SHOULDER: 3/16" X 1.0" SHLD LNGTH X #8-32 THRD	1
28	307497	NUT-LOCK: #8-32 GR2 ZP THIN	1
29	307885	BOLT-CRG: .31 X 1.25 NC GR5 ZP	2
30	307883	ROD-SENSOR TURNBUCKLE	1
31	306829	BALL JOINT ROD END 1/4"-28 LH	1
32	307884	NUT-HEX: .25 NF GR5 ZP LH	1
33	306828	BALL JOINT ROD END 1/4"-28 RH	1
34	1011579	NUT-HEX: .25 NF GR2 ZP	1
35	307882	TUBE-SENSOR PIVOT ARM SPACER	1
36	1016211	BOLT-HEX: .25 X 2.00 NC GR5	1
37	1013423	BOLT-HEX: .25 X 1.00 NC GR5 ZP	1
38	0100979	WASHER-FLAT: SAE .25 ZP	2
39	1030946	NUT-TOPLOCK: .25 NC GR5 ZP	2

PTO STD 1-3/8" (306403)

ITEM	PART NO.	DESCRIPTION	QTY
1	54198	YOKE-STD 1.375	1
2	305445	CROSS KIT	2
3	306407	YOKE-OUTER TUBE G9	1
4	306408	FLEXIBLE PIN G9	1
5	306409	TUBE-OUTER G9	1
6	306410	TUBE-INNER G9	1
7	55367	PIN	1
8	306411	YOKE-INNER TUBE G9	1
9	305198	CLUTCH-TORQUE LIMITER (STD)	1
10	306412	SHIELD CONE-OUTER G9	2
11	68746	BEARING-SHIELD OUTER	1
12	68748	SCREW-SELF TAPPING	6
13	306413	OUTER SHIELD G9	1
14	306414	INNER SHIELD G9	1
15	68752	BEARING-SHIELD INNER	1
16	69873	CHAIN-COMPLETE (STD)	2
17	306415	COLLAR-GREASE G9	1
18	63293	DECAL-DRIVELINE	1
19	63294	DECAL-DRIVELINE	1
20	69871	KT-BALL COLLAR 1.375 (STD)	1
21	306406	KT-COMPLETE SHIELD W/ CHAINS	1

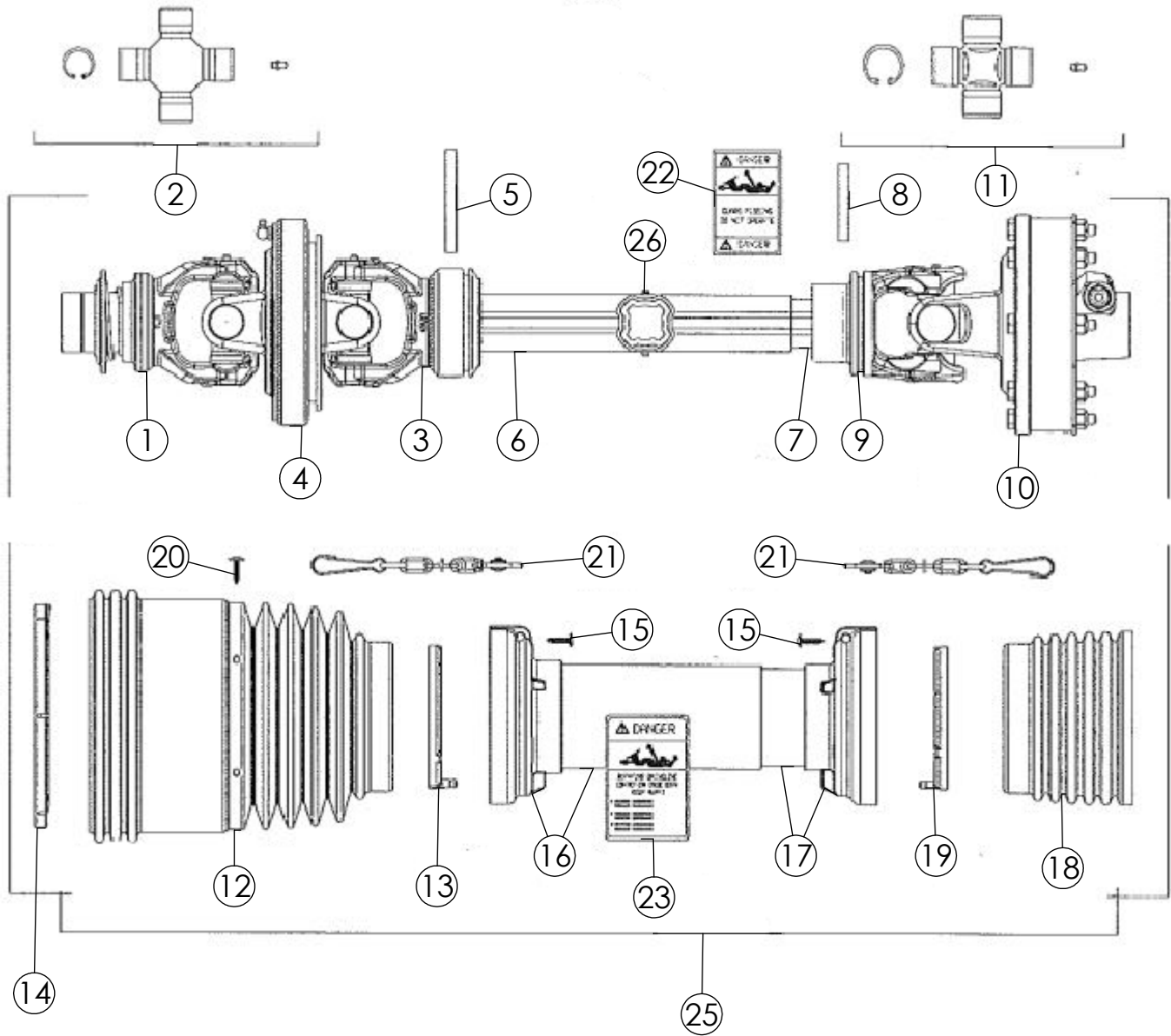
PTO STD 1-3/4" (306404)



PTO STD 1-3/4" (306404)

ITEM	PART NO.	DESCRIPTION	QTY
1	69866	YOKE-STD 1.750	1
2	305445	CROSS KIT	2
3	306407	YOKE-OUTER TUBE G9	1
4	306408	FLEXIBLE PIN G9	1
5	306409	TUBE-OUTER G9	1
6	306410	TUBE-INNER G9	1
7	55367	PIN	1
8	306411	YOKE-INNER TUBE G9	1
9	305198	CLUTCH-TORQUE LIMITER (STD)	1
10	306412	SHIELD CONE-OUTER G9	2
11	68746	BEARING-SHIELD OUTER	1
12	68748	SCREW-SELF TAPPING	6
13	306413	OUTER SHIELD G9	1
14	306414	INNER SHIELD G9	1
15	68752	BEARING-SHIELD INNER	1
16	69873	CHAIN-COMPLETE (STD)	2
17	306415	COLLAR-GREASE G9	1
18	63293	DECAL-DRIVELINE	1
19	63294	DECAL-DRIVELINE	1
20	69872	KT-BALL COLLAR 1.750 (STD)	1
21	306406	KT-COMPLETE SHIELD W/ CHAINS	1

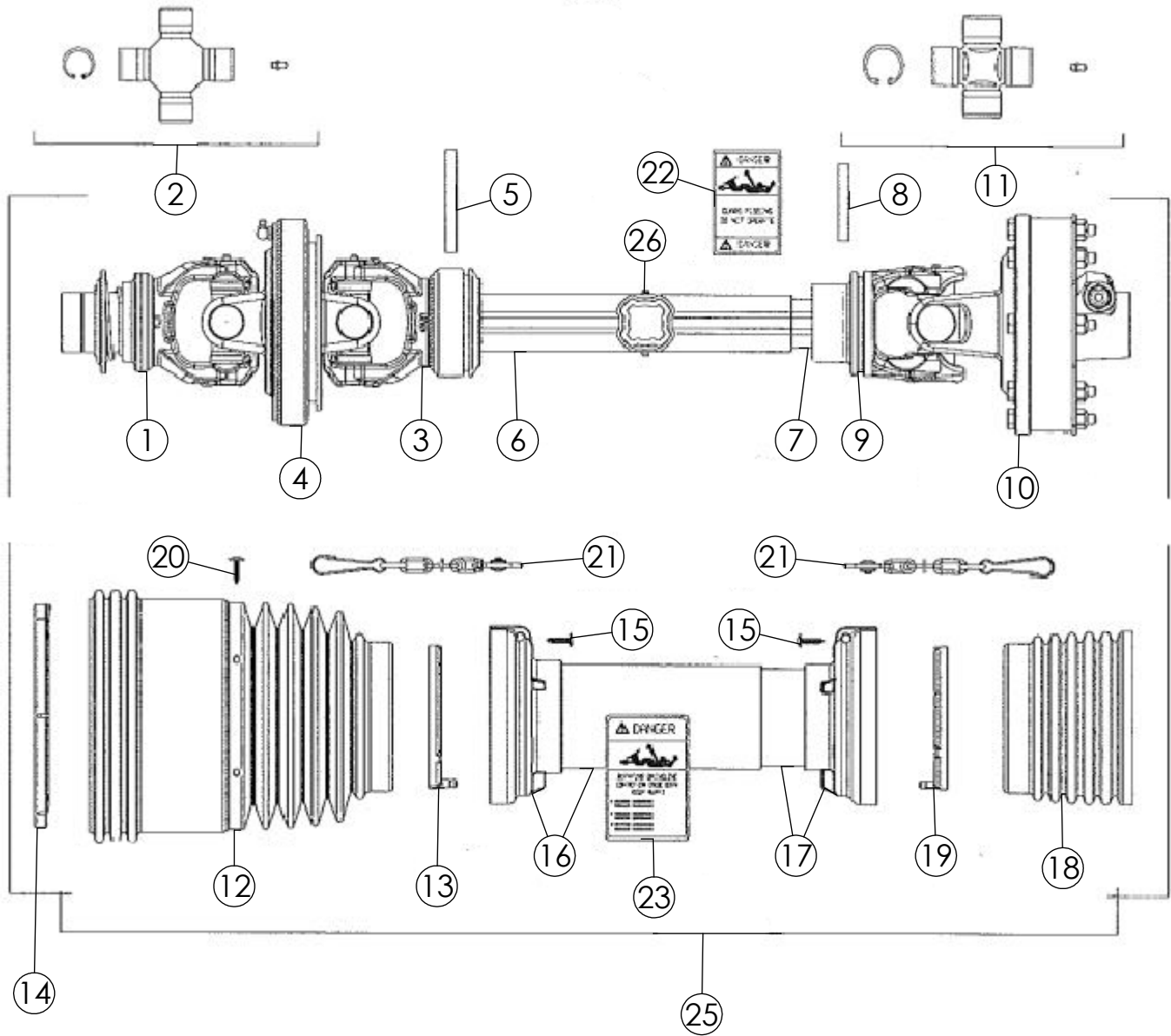
PTO CV 1-3/8" (69681)



PTO CV 1-3/8" (69681)

ITEM	PART NO.	DESCRIPTION	QTY
1	68758	YOKE-CV 1.375	1
2	68735	CROSS-KT	1
3	68736	YOKE-CV OUTER EXT TUBE	1
4	68737	CENTRAL BODY-CV JOINT	1
5	68738	PIN-ROLL	1
6	69684	TUBE-DRIVE OUTER (CV)	1
7	69685	TUBE-DRIVE INNER (CV)	1
8	68741	PIN-ROLL	1
9	68742	YOKE-CV INNER TUBE	1
10	305196	CLUTCH-TORQUE LIMITER (CV)	1
11	68744	KT-CROSS	1
12	68745	CONE-SHIELD OUTER	1
13	68746	BEARING-SHIELD OUTER	1
14	68747	BEARING-SHIELD CONE	1
15	68748	SCREW-SELF TAPPING	6
16	68749	SHIELD-SAFETY TUBE OUTER (CV)	1
17	68750	SHIELD-SAFETY TUBE INNER (CV)	1
18	68751	CONE-SHIELD INNER	1
19	68752	BEARING-SHIELD INNER	1
20	69688	SCREW-SELF TAPPING FLANGE HEAD	6
21	69689	CHAIN-COMPLETE (CV)	2
22	63293	DECAL-DRIVELINE	1
23	63294	DECAL-DRIVELINE	1
24	69690	KT-BALL COLLAR 1.375 (CV) (NOT SHOWN)	1
25	68760	KT-SHIELD COMPLETE W/ CHAINS (CV)	1
26	69687	ZERK-GREASE: M6 X 1 SHORT	1

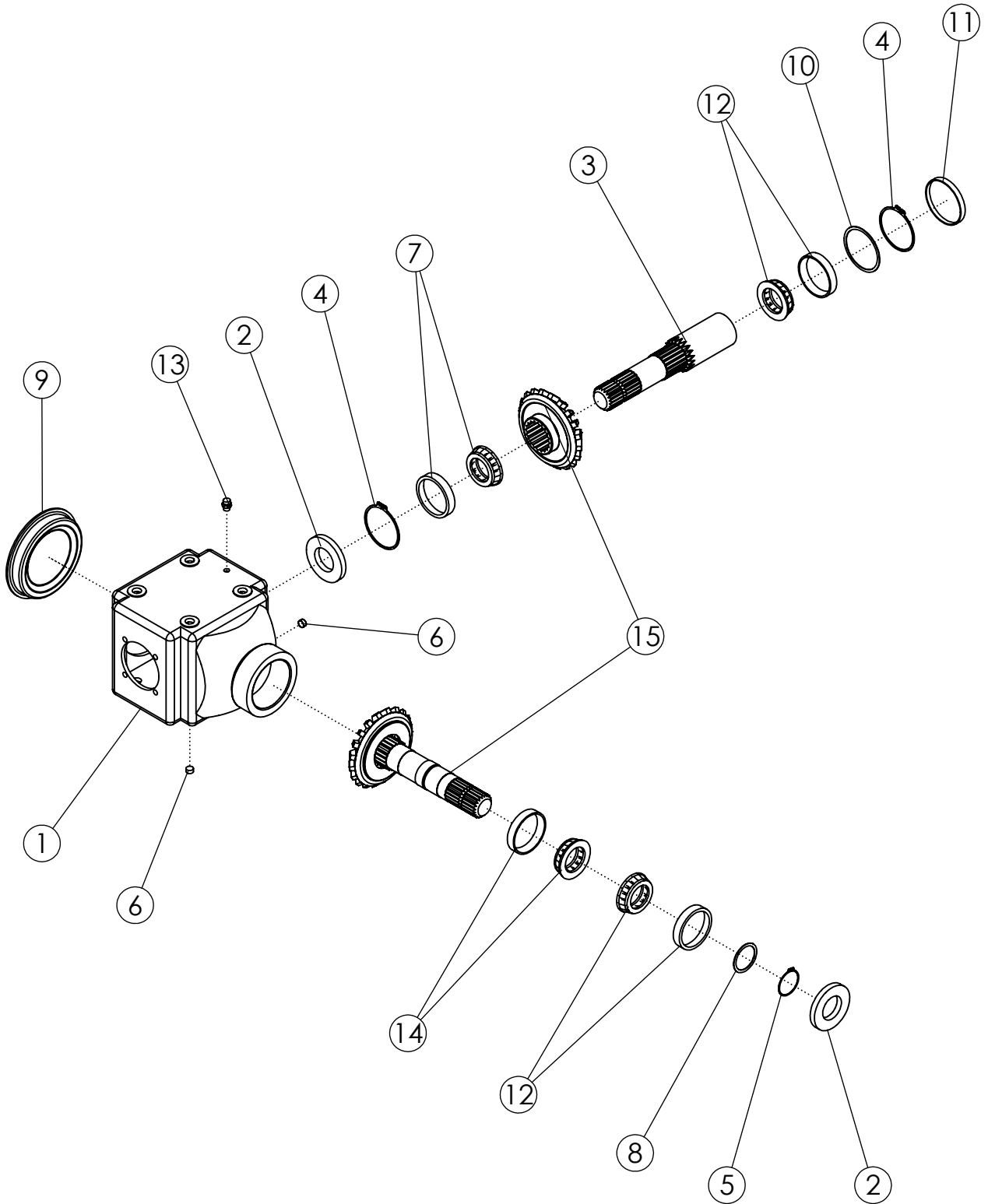
PTO CV 1-3/4" (69682)



PTO CV 1-3/4" (69682)

ITEM	PART NO.	DESCRIPTION	QTY
1	68734	YOKE-CV 1.750	1
2	68735	CROSS-KT	1
3	68736	YOKE-CV OUTER EXT TUBE	1
4	68737	CENTRAL BODY-CV JOINT	1
5	68738	PIN-ROLL	1
6	69684	TUBE-DRIVE OUTER (CV)	1
7	69685	TUBE-DRIVE INNER (CV)	1
8	68741	PIN-ROLL	1
9	68742	YOKE-CV INNER TUBE	1
10	305196	CLUTCH-TORQUE LIMITER (CV)	1
11	68744	KT-CROSS	1
12	68745	CONE-SHIELD OUTER	1
13	68746	BEARING-SHIELD OUTER	1
14	68747	BEARING-SHIELD CONE	1
15	68748	SCREW-SELF TAPPING	6
16	68749	SHIELD-SAFETY TUBE OUTER (CV)	1
17	68750	SHIELD-SAFETY TUBE INNER (CV)	1
18	68751	CONE-SHIELD INNER	1
19	68752	BEARING-SHIELD INNER	1
20	69688	SCREW-SELF TAPPING FLANGE HEAD	6
21	69689	CHAIN-COMPLETE (CV)	2
22	63293	DECAL-DRIVELINE	1
23	63294	DECAL-DRIVELINE	1
24	68755	KT-BALL COLLAR 1.750 (CV) (NOT SHOWN)	1
25	68760	KT-SHIELD COMPLETE W/ CHAINS (CV)	1
26	69687	ZERK-GREASE: M6 X 1 SHORT	1

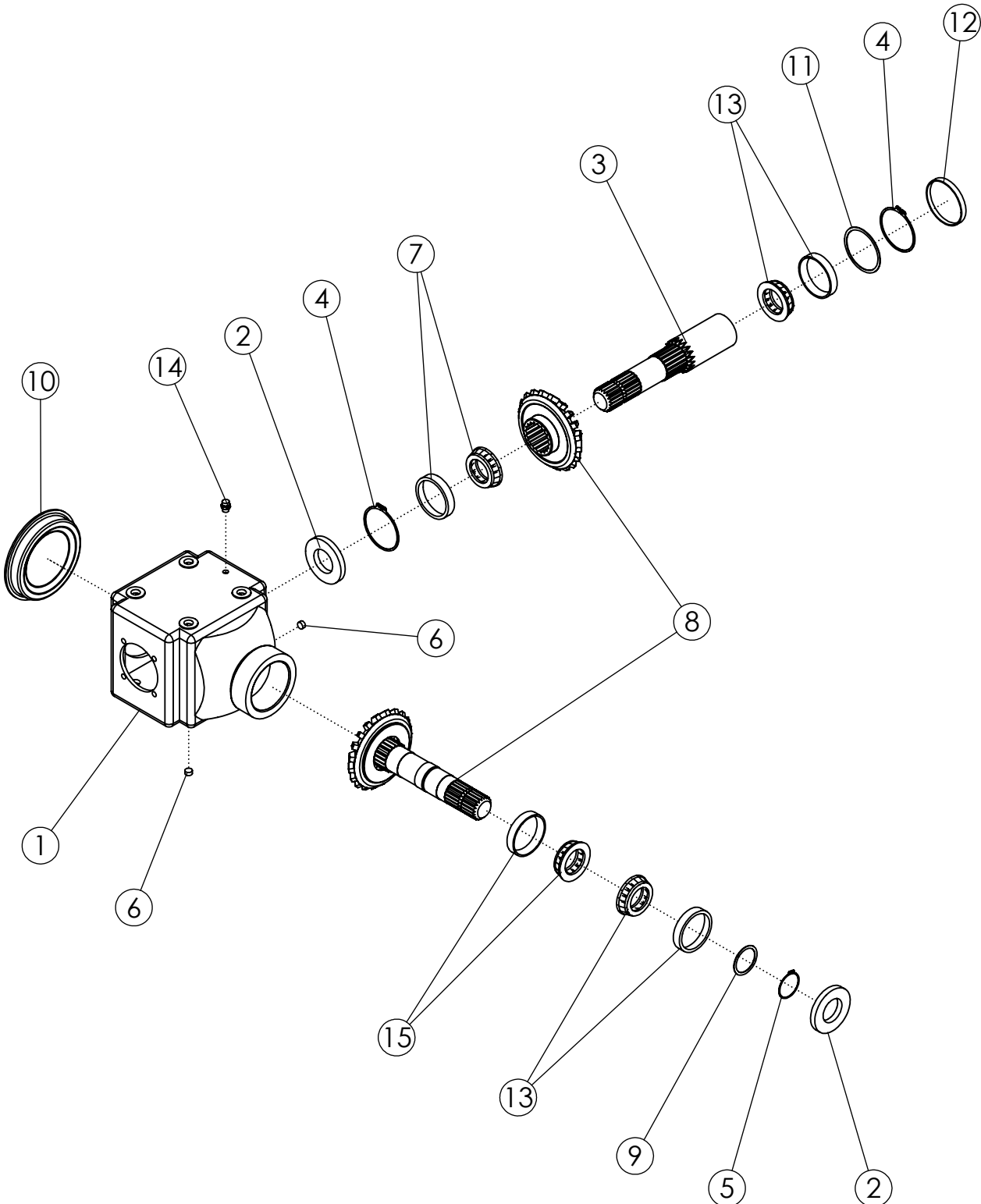
GEARBOX 1.57:1 L (52391)



GEARBOX 1.57:1 L (52391)

ITEM	PART NO.	DESCRIPTION	QTY
1	59965	HOUSING-GEARBOX	1
2	54214	1025074 SEALING RING	2
3	54207	SHAFT	1
4	54210	SNAP RING	2
5	54209	SNAP RING	1
6	54215	1025075 OIL PLUG - 3/8" BSPT (TAPERED)	3
7	54212	1025072 BEARING ROLLER	1
8	64421	KT-SPACER RING	1
9	54208	COVER PLATE	1
10	64422	KT-SPACER RING	1
11	54217	CLOSING CAP	1
12	54211	1025071 BEARING BALL	2
13	54204	VENT PLUG	1
14	54213	1025073 BEARING ROLLER	1
15	59962	GEAR SET	1

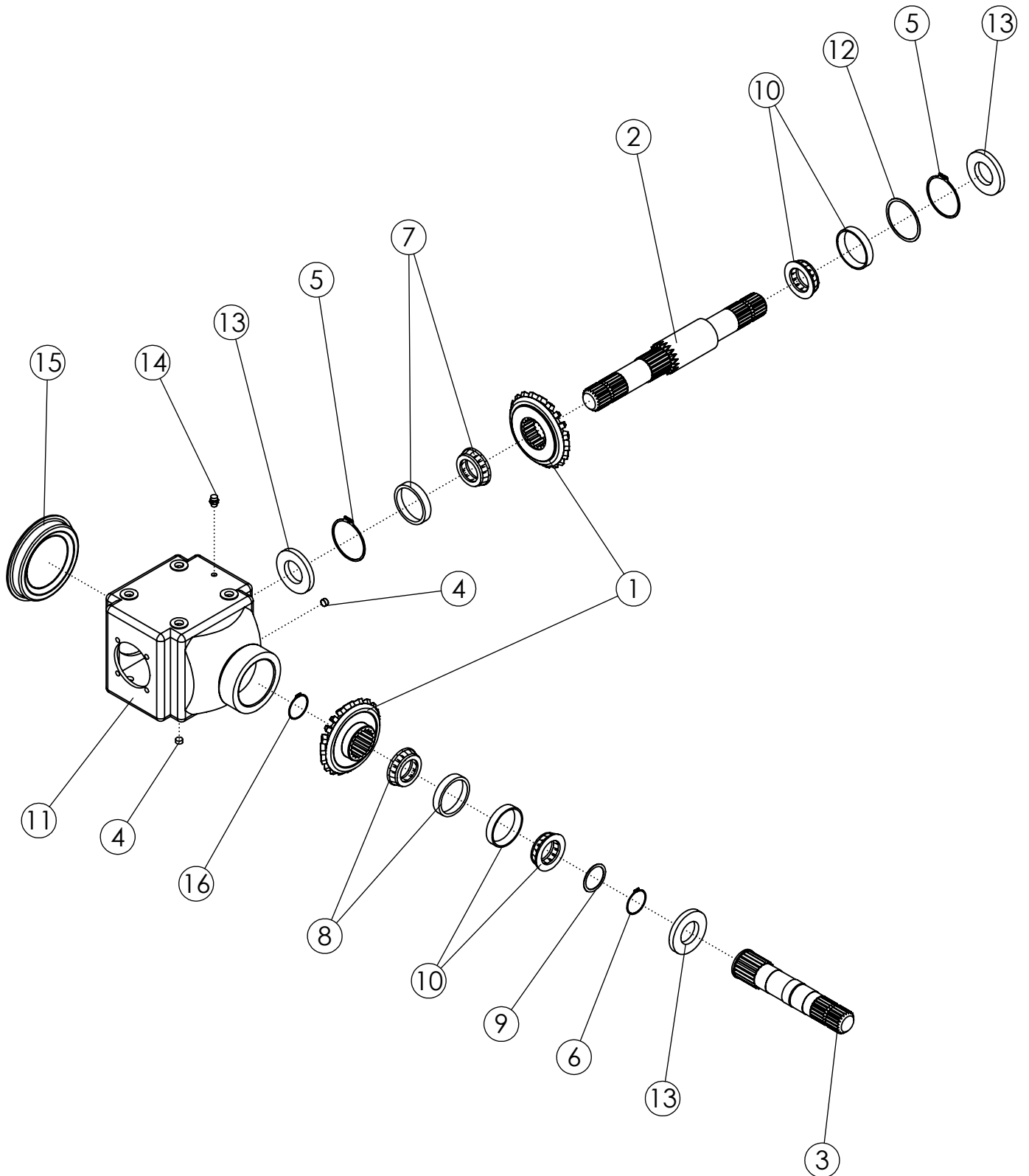
GEARBOX 1:1 L (52392)



GEARBOX 1:1 L (52392)

ITEM	PART NO.	DESCRIPTION	QTY
1	59965	HOUSING-GEARBOX	1
2	54214	1025074 SEALING RING	2
3	54207	SHAFT	1
4	54210	SNAP RING	2
5	54209	SNAP RING	1
6	54215	1025075 OIL PLUG - 3/8" BSPT (TAPERED)	2
7	54212	1025072 BEARING ROLLER	1
8	59963	GEAR SET	1
9	64421	KT-SPACER RING	1
10	54208	COVER PLATE	1
11	64422	KT-SPACER RING	1
12	54217	CLOSING CAP	1
13	54211	1025071 BEARING BALL	2
14	54204	VENT PLUG	1
15	54213	1025073 BEARING ROLLER	1

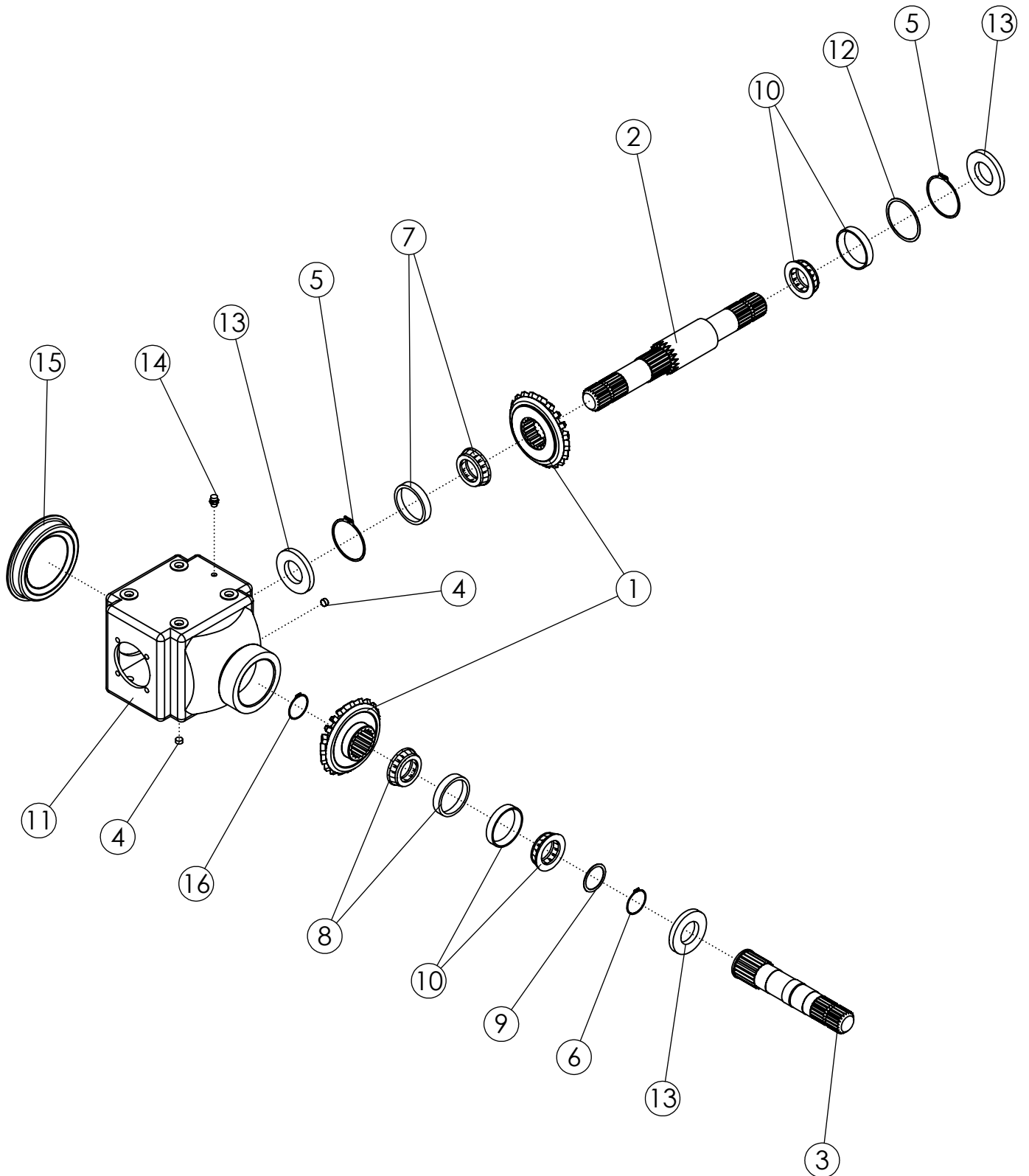
GEARBOX 1:1.57 T (52379)



GEARBOX 1:1.57 T (52379)

ITEM	PART NO.	DESCRIPTION	QTY
1	59964	GEAR SET	1
2	54230	THRU SHAFT	1
3	54231	OUTPUT SHAFT	1
4	54215	1025075 OIL PLUG - 3/8" BSPT (TAPERED)	3
5	54210	SNAP RING	2
6	54209	SNAP RING	1
7	54212	1025072 BEARING ROLLER	1
8	54213	1025073 BEARING ROLLER	1
9	64421	KT-SPACER RING	1
10	54211	1025071 BEARING BALL	2
11	59965	HOUSING-GEARBOX	1
12	64422	KT-SPACER RING	1
13	54214	1025074 SEALING RING	3
14	54204	VENT PLUG	1
15	54208	COVER PLATE	1
16	52521	SNAP RING: EXTERNAL	1

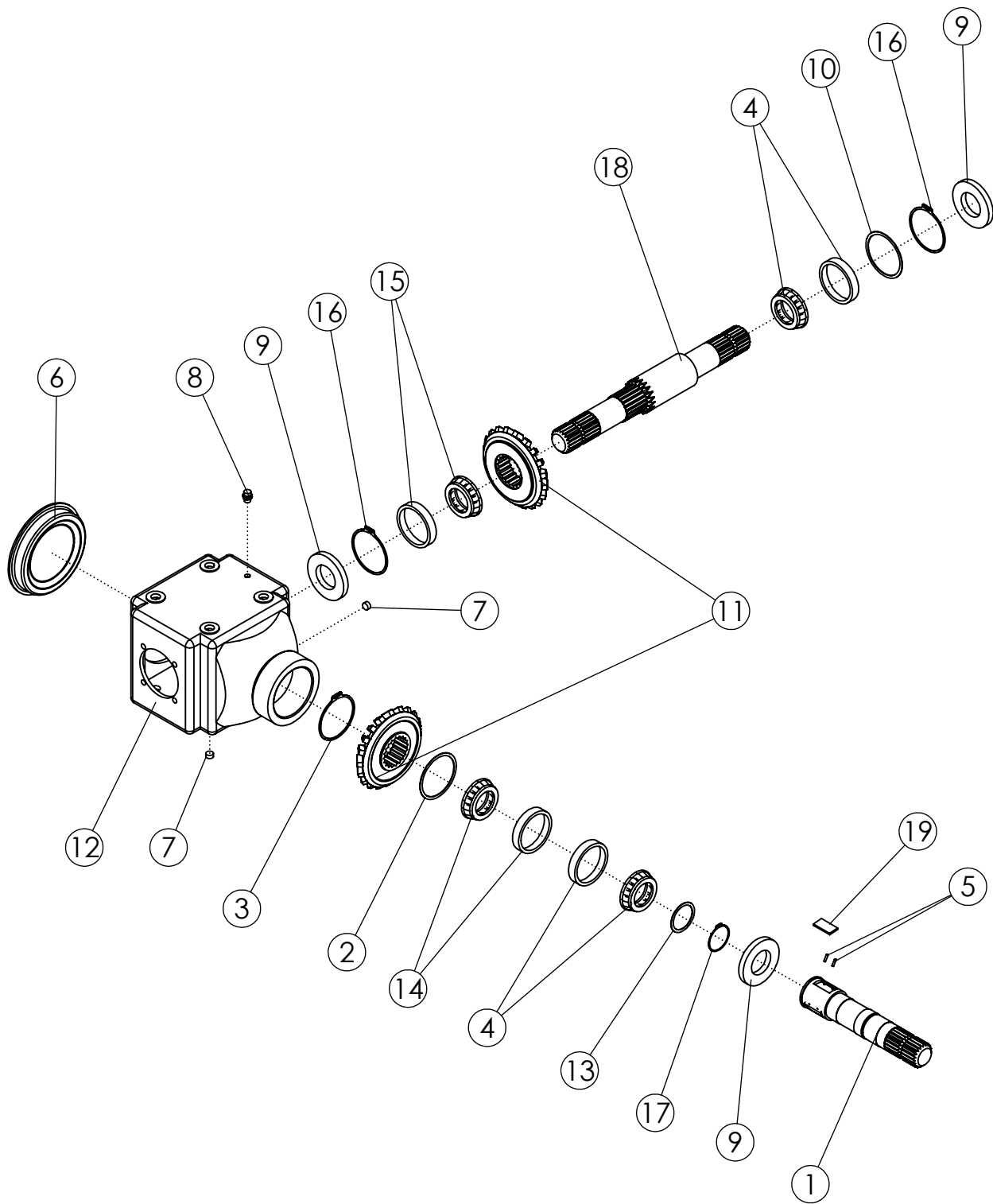
GEARBOX 1.57:1 T (52393)



GEARBOX 1.57:1 T (52393)

ITEM	PART NO.	DESCRIPTION	QTY
1	59964	GEAR SET	1
2	54230	THRU SHAFT	1
3	54231	OUTPUT SHAFT	1
4	54215	1025075 OIL PLUG - 3/8" BSPT (TAPERED)	3
5	54210	SNAP RING	2
6	54209	SNAP RING	1
7	54212	1025072 BEARING ROLLER	1
8	54213	1025073 BEARING ROLLER	1
9	64421	KT-SPACER RING	1
10	54211	1025071 BEARING BALL	2
11	59965	HOUSING-GEARBOX	1
12	64422	KT-SPACER RING	1
13	54214	1025074 SEALING RING	3
14	54204	VENT PLUG	1
15	54208	COVER PLATE	1
16	52521	SNAP RING: EXTERNAL	1

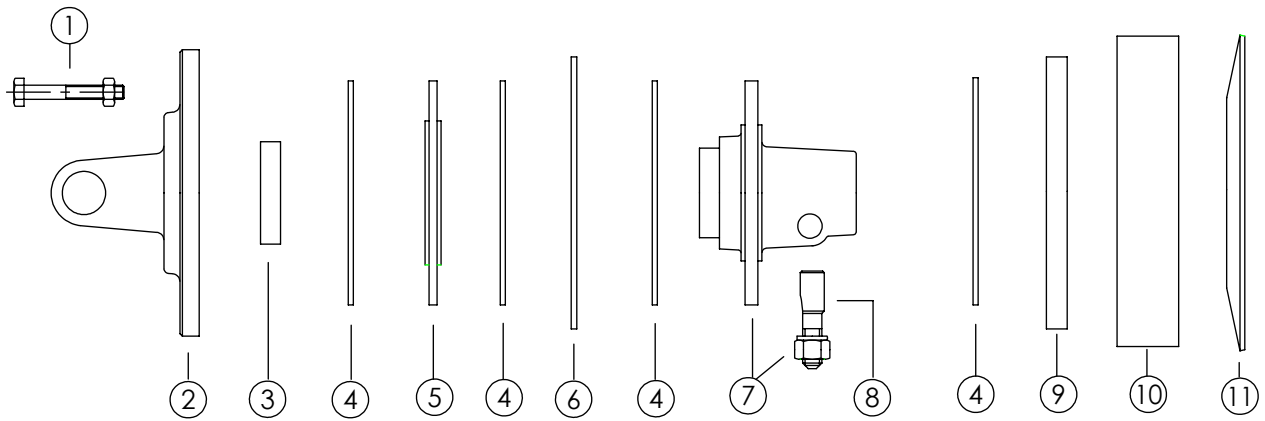
GEARBOX 1:1 T W/ OVERRUN CLUTCH (59189)



GEARBOX 1:1 T W/ OVERRUN CLUTCH (59189)

ITEM	PART NO.	DESCRIPTION	QTY
1	59954	SHAFT-OUTPUT	1
2	59955	SPACER	1
3	59957	SNAP RING	1
4	54211	1025071 BEARING BALL	2
5	59960	SPRING-GEARBOX SHAFT	6
6	54208	COVER PLATE	1
7	54215	1025075 OIL PLUG - 3/8" BSPT (TAPERED)	2
8	54204	VENT PLUG	1
9	54214	1025074 SEALING RING	3
10	64422	KT-SPACER RING	1
11	59961	GEAR SET	1
12	59953	HOUSING-GEARBOX	1
13	64421	KT-SPACER RING	1
14	54213	1025073 BEARING ROLLER	1
15	54212	1025072 BEARING ROLLER	1
16	54210	SNAP RING	2
17	54209	SNAP RING	1
18	54230	THRU SHAFT	1
19	59956	PLATE-GEARBOX SHAFT	3

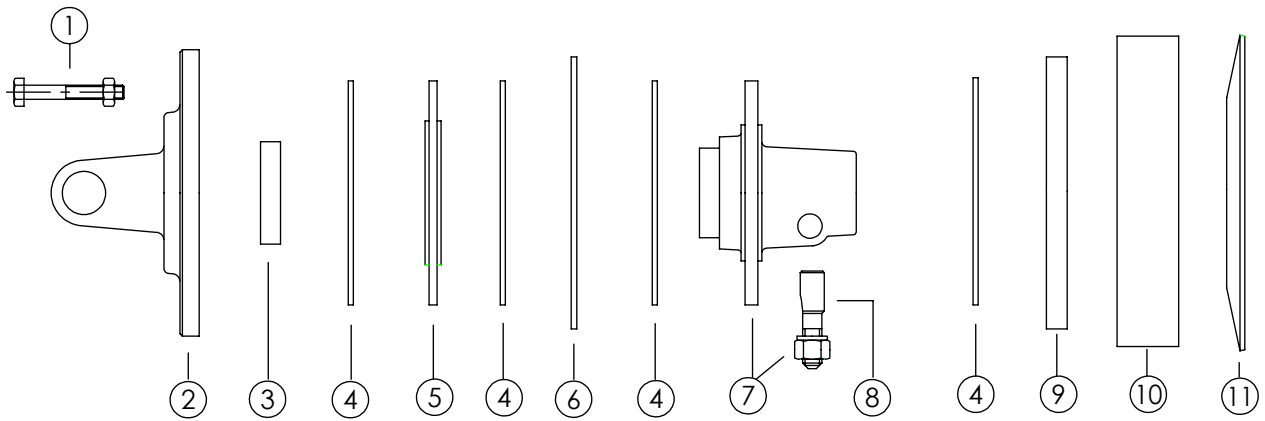
TORQUE LIMITER CV (305196)



TORQUE LIMITER CV (305196)

ITEM	PART NO.	DESCRIPTION	QTY
1	63300	SCREW & NUT	8
2	69693	YOKE-FLANGE (CV)	1
3	63295	BUSHING	1
4	69692	FIBER DISC-CLUTCH LINING	4
5	69858	PLATE-LINING SUPPORT	1
6	69859	PLATE-INNER	1
7	69860	HUB	1
8	68782	KT-TAPER PIN 1.750	1
9	69861	PLATE-THRUST	1
10	69862	SPACER-CLUTCH	1
11	305197	SPRING-CLUTCH (2200NM)	1

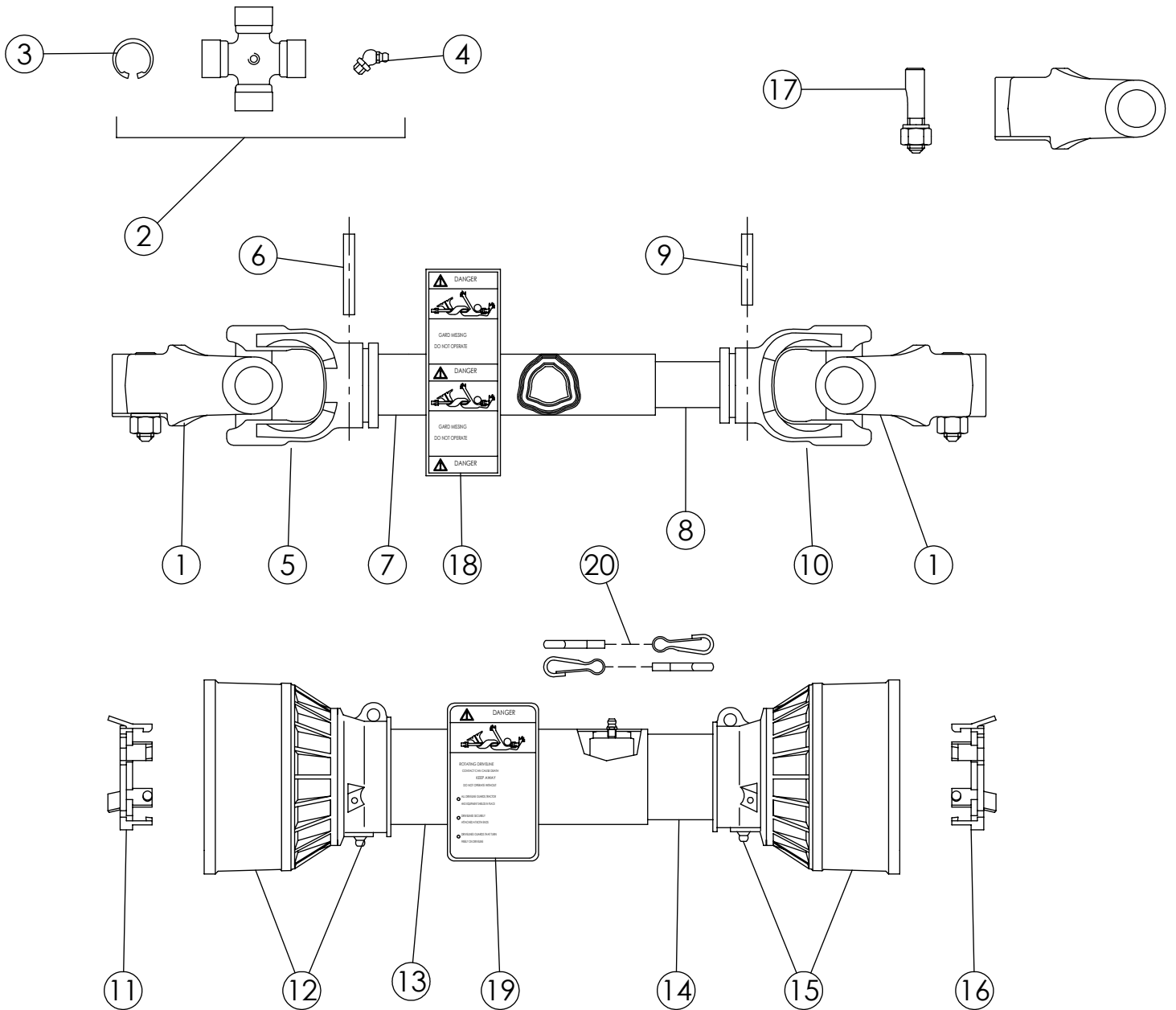
TORQUE LIMITER STD (305198)



TORQUE LIMITER STD (305198)

ITEM	PART NO.	DESCRIPTION	QTY
1	63300	SCREW & NUT	8
2	69864	YOKE-FLANGE (STD)	1
3	63295	BUSHING	1
4	69692	FIBER DISC-CLUTCH LINING	4
5	69858	PLATE-LINING SUPPORT	1
6	69859	PLATE-INNER	1
7	69860	HUB	1
8	68782	KT-TAPER PIN 1.750	1
9	69861	PLATE-THRUST	1
10	69862	SPACER-CLUTCH	1
11	305197	SPRING-CLUTCH (2200NM)	1

FRONT SIDE DRIVELINE (52399)



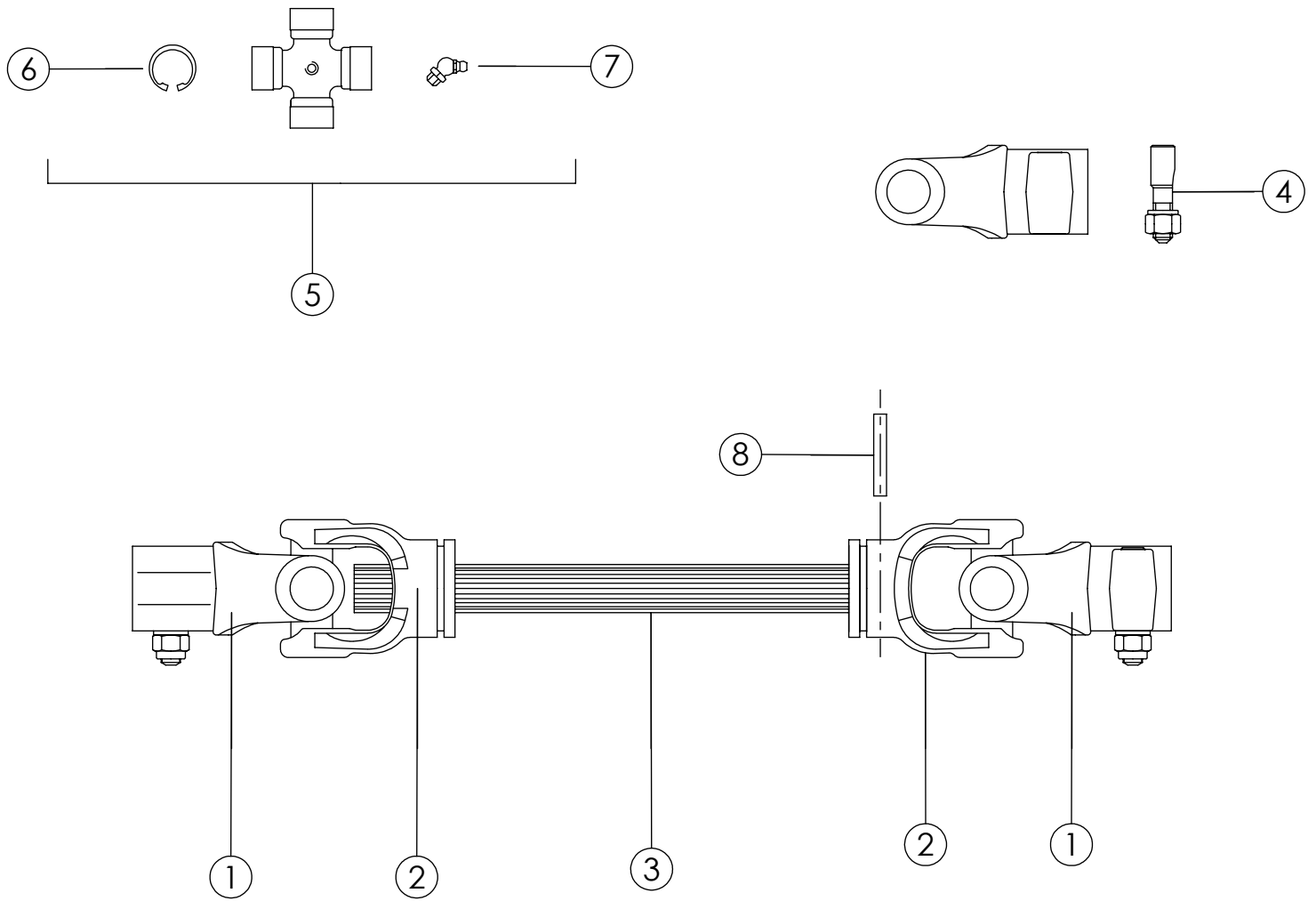
FRONT SIDE DRIVELINE (52399)

ITEM	PART NO.	DESCRIPTION	QTY
1	68731	YOKE-COUPLER TAPER PIN 1.750	2
2	54235	1025104 CROSS KT	2
3	55361	CIRCLIP	8
4	63440	ZERK M8-1.0	2
5	54242	YOKE TUBE-OUTER	1
6	55364	PIN	1
7	63595	TUBE-CARDAN	1
8	63596	TUBE-CARDAN	1
9	55367	PIN	1
10	54234	YOKE-STD INNER TUBE	1
11	54238	BRG RING-OUTER SHIELD	1
12	54199	CONE SET-OUTER SHIELD	1
13	63597	TUBE-SAFETY	1
14	63598	TUBE-SAFETY	1
15	55320	1023181 CONE SET-INNER SHIELD	1
16	54240	BRG RING-INNER SHIELD	1
17	68782	KT-TAPER PIN 1.750	2
18	63293	DECAL-DRIVELINE	1
19	63294	DECAL-DRIVELINE	1
20	69873	CHAIN-COMPLETE (STD)	2

FRONT SIDE DRIVELINE (68604)

ITEM	PART NO.	DESCRIPTION	QTY
1	68731	YOKE-COUPLER TAPER PIN 1.750	2
2	54235	1025104 CROSS KT	2
3	55361	CIRCLIP	8
4	63440	ZERK M8-1.0	2
5	54242	YOKE TUBE-OUTER	1
6	55364	PIN	1
7	63602	TUBE-CARDAN	1
8	63603	TUBE-CARDAN	1
9	55367	PIN	1
10	54234	YOKE-STD INNER TUBE	1
11	54238	BRG RING-OUTER SHIELD	1
12	55374	1025122 CONE SET-OUTER SHIELD	1
13	63604	TUBE-SAFETY	1
14	63605	TUBE-SAFETY	1
15	55320	1023181 CONE SET-INNER SHIELD	1
16	54240	BRG RING-INNER SHIELD	1
17	68782	KT-TAPER PIN 1.750	2
18	63293	DECAL-DRIVELINE	1
19	63294	DECAL-DRIVELINE	1
20	69873	CHAIN-COMPLETE (STD)	2

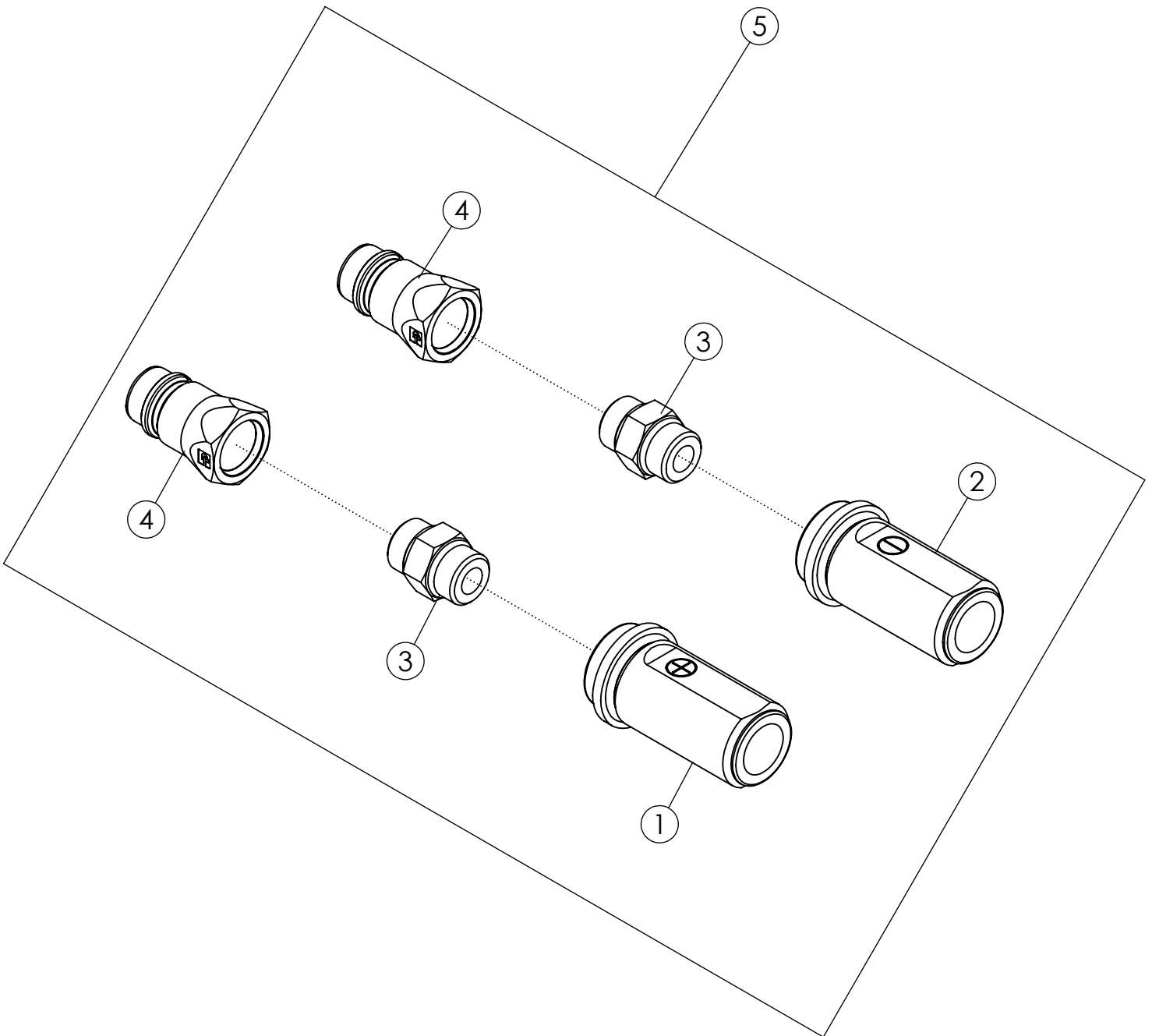
SIDE DRIVELINE (52397)



SIDE DRIVELINE (52397)

ITEM	PART NO.	DESCRIPTION	QTY
1	68731	YOKE-COUPLER TAPER PIN 1.750	2
2	54244	SHAFT YOKE	2
3	63593	SHAFT-SPLINED	1
4	63594	KT-TAPER PIN	2
5	54235	1025104 CROSS KT	2
6	55361	CIRCLIP	8
7	63440	ZERK M8-1.0	2
8	63472	PIN-ROLL	1

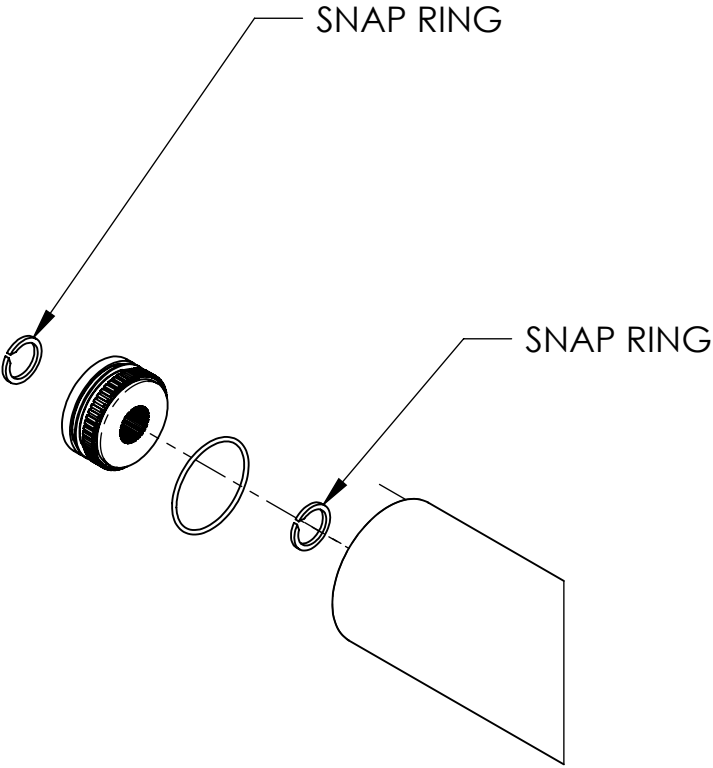
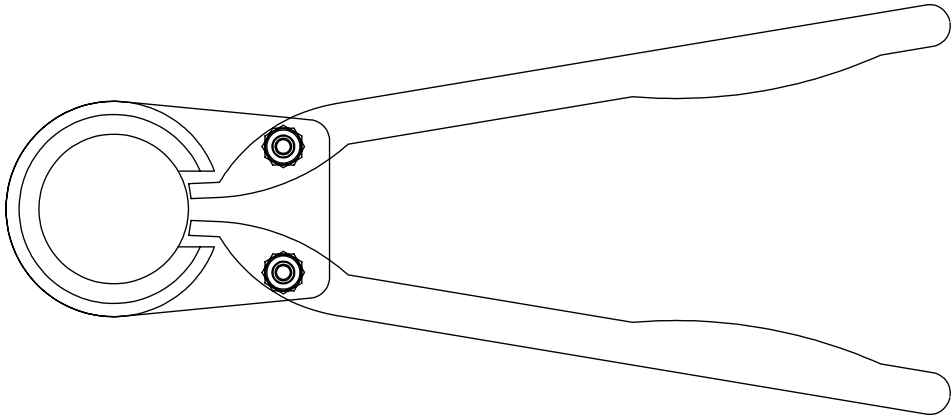
HYDRAULIC COUPLER ASSEMBLY



HYDRAULIC COUPLER ASSEMBLY

ITEM	PART NO.	DESCRIPTION	QTY
1	304170	HYD LABEL: 8FB-8FB RED (+)	1
	304172	HYD LABEL: 8FB-8FB BLACK (+)	1
	304174	HYD LABEL: 8FB-8FB BLUE (+)	1
	304176	HYD LABEL: 8FB-8FB GREEN (+)	1
	304178	HYD LABEL: 8FB-8FB GOLD (+)	1
	304180	HYD LABEL: 8FB-8FB SILVER (+)	1
	304182	HYD LABEL: 8FB-8FB PURPLE (+)	1
2	304171	HYD LABEL: 8FB-8FB RED (-)	1
	304173	HYD LABEL: 8FB-8FB BLACK (-)	1
	304175	HYD LABEL: 8FB-8FB BLUE (-)	1
	304177	HYD LABEL: 8FB-8FB GREEN (-)	1
	304179	HYD LABEL: 8FB-8FB GOLD (-)	1
	304181	HYD LABEL: 8FB-8FB SILVER (-)	1
	304183	HYD LABEL: 8FB-8FB PURPLE (-)	1
3	304184	FTG-ADAPTER: 8MB-8MB SOLID	2
4	36290	PIONEER TIP 8010-15P (#8 ORB)	2
5	304185	ASSY-TRACTOR HYD COUPLERS (RED)	1
	304186	ASSY-TRACTOR HYD COUPLERS (BLACK)	1
	304187	ASSY-TRACTOR HYD COUPLERS (BLUE)	1
	304188	ASSY-TRACTOR HYD COUPLERS (GREEN)	1
	304189	ASSY-TRACTOR HYD COUPLERS (GOLD)	1
	304190	ASSY-TRACTOR HYD COUPLERS (SILVER)	1
	304191	ASSY-TRACTOR HYD COUPLERS (PURPLE)	1

SNAP RING PLIERS (69055)



SHAFT REMOVED FOR CLARITY