

# PARTS MANUAL

2026

3500 DEFOLIATOR

8 ROW 22

6 ROW 30

**Amity**  
TECHNOLOGY



2800 7<sup>th</sup> Avenue North  
Fargo, ND 58102

Phone: (701) 232-4199

Fax: (701) 234-1716

[www.amitytech.com](http://www.amitytech.com)



## TABLE OF CONTENTS

|   |         |
|---|---------|
| HITCH ASSEMBLY (68526).....                               | 1-2     |
| HITCH PACKAGE DEF (52145) .....                           | 3-4     |
| HOSE HOLDER (301131).....                                 | 5-6     |
| DEPTH GAUGE (63367) .....                                 | 7-8     |
| REVERSE FRONT SHIELD (68513) .....                        | 9-10    |
| FRONT PLASTIC ASSEMBLY (68528).....                       | 11-12   |
| DRIVE COMPONENTS (68446) .....                            | 13-14   |
| DRIVE/TUBE COMPONENTS (68448) .....                       | 15-16   |
| SIDE DOOR ASSEMBLY (68530).....                           | 17-18   |
| STEEL TARP ASSEMBLY (68517) .....                         | 19-20   |
| REAR FLAP (307862) .....                                  | 21-22   |
| MAINFRAME HYD MOUNTING (305336).....                      | 23-24   |
| LIGHT KIT (305609) .....                                  | 25-26   |
| MANUAL STORAGE CASE (64643).....                          | 27-28   |
| WEIGHT KIT (306357) .....                                 | 29-30   |
| AHC/FLOATING STRUT VALVE MOUNT (307016) .....             | 31-32   |
| DECALS (69648) .....                                      | 33-36   |
| FRONT DRUM 8R FORWARD (68260).....                        | 37-38   |
| FRONT DRUM 8R REVERSE 6R30 (68263) .....                  | 39-40   |
| FRONT DRUM 8R REVERSE 8R22 (68261) .....                  | 41-42   |
| FRONT DRUM RUBBER MOUNT (305309).....                     | 43-44   |
| FRONT DRUM 8R22 STEEL FLAIL (306858).....                 | 45-46   |
| FRONT DRUM 8R22 STEEL L-KNIFE (68082).....                | 47-48   |
| FRONT DRUM STEEL MOUNT (305307).....                      | 49-50   |
| FRONT DRUM STEEL HANGER ASSEMBLY (305308).....            | 51-52   |
| #1 DRUM FLAILS .....                                      | 53-62   |
| #2 DRUM FLAILS .....                                      | 63-70   |
| #3 DRUM FLAILS .....                                      | 71-88   |
| STANDARD REAR STRUTS 11.2 X 24 22" (306001).....          | 89-90   |
| STANDARD REAR STRUTS 11.2 X 24 44" (306002).....          | 91-92   |
| STEERABLE REAR STRUTS 11.2 X 24 22" (305920).....         | 93-96   |
| STEERABLE REAR STRUTS 11.2 X 24 44" (305921).....         | 97-100  |
| STEERABLE STRUT ASSEMBLY (305924) .....                   | 101-102 |
| OFFSET STEERABLE REAR STRUTS 11.2 X 24 22" (306004) ..... | 103-106 |
| STANDARD STEERING (305976).....                           | 107-108 |
| CENTERING STEERING (305996) .....                         | 109-110 |
| ROWFINDER ASSEMBLY (306865) .....                         | 111-114 |
| ROWFINDER SCALPER MOUNT (305998/307541) .....             | 115-116 |
| ROWFINDER FRAME MOUNT (305999/307542) .....               | 117-118 |
| REAR LIFT RATCHET JACK (307635) .....                     | 119-120 |
| REAR STRUT HYDRAULICS (306011) .....                      | 121-122 |
| AHC FRAME MOUNT (307248) .....                            | 123-124 |
| AHC SKID ASSEMBLY (306887).....                           | 125-126 |
| AHC BASE COMPONENTS (307380).....                         | 127-128 |
| AHC ISOBUS CONTROLLER (307250).....                       | 129-130 |
| AHC/ADC JOYSTICK W/ MOUNT (303447).....                   | 131-132 |
| AHC SENSOR ASSEMBLY (307567).....                         | 133-134 |
| AHC SENSOR KIT (306834).....                              | 135-136 |
| AHC DEPTH GAUGE (306976) .....                            | 137-138 |
| AHC ELECTRICAL COMPONENTS .....                           | 139-140 |

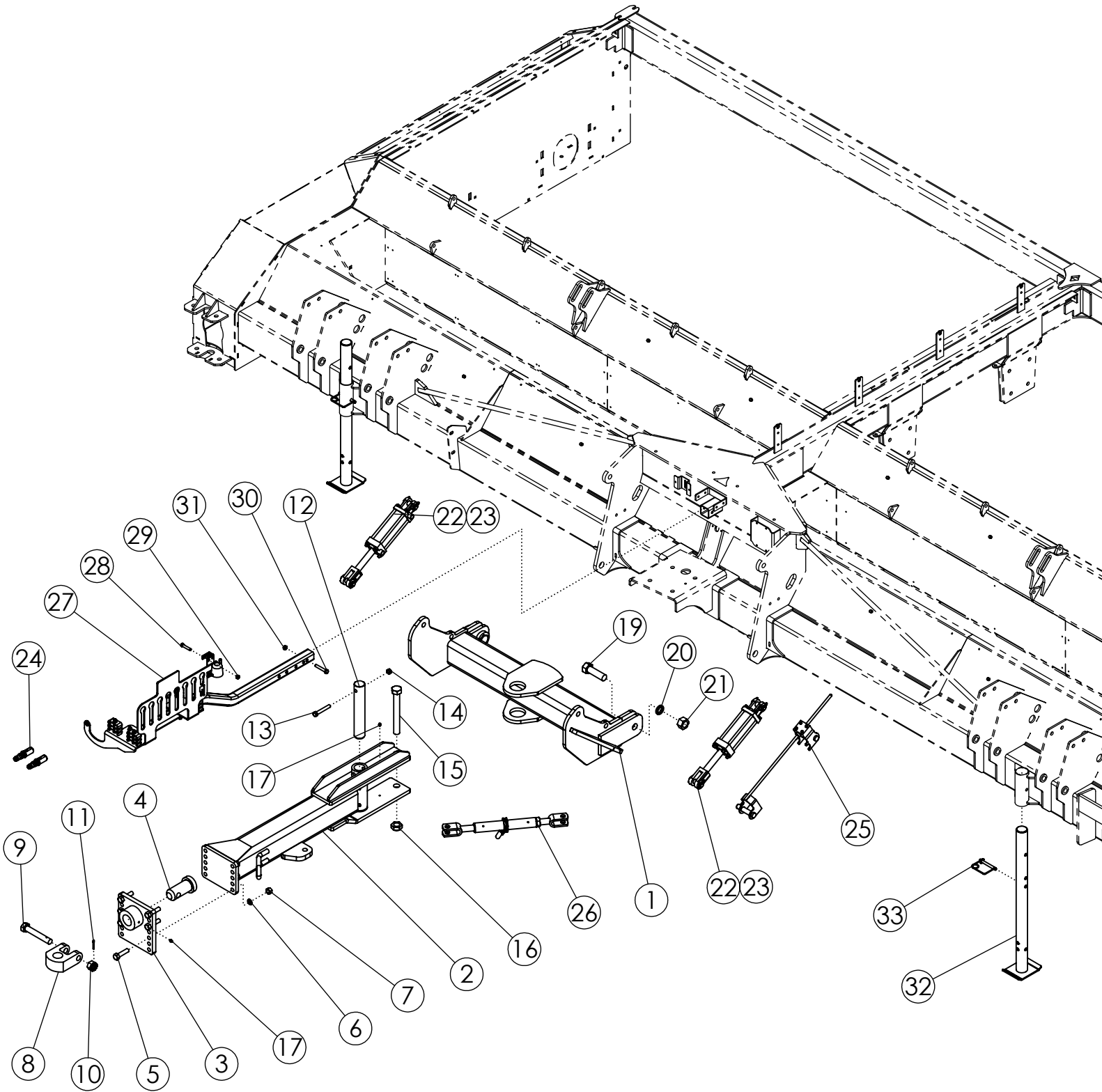
(CONTINUED)



TABLE OF CONTENTS (CONTINUED)

SCALPER BAR ASSEMBLY (306008/307544)..... 141-142  
SCALPER BASKETS (51475 & 307160) ..... 143-146  
TOP DOOR LIFT (305342) ..... 147-148  
SIDE LINER KIT (69409) ..... 149-150  
CYLINDER STOP KIT (51497)..... 151-152  
REAR TIRE SCRAPERS (305779)..... 153-154  
SCALPER LOCK UP KIT (307257)..... 155-156  
JD GPS GUIDANCE MOUNTS (307875) ..... 157-158  
PTO STD 1-3/8" (306403)..... 159-160  
PTO STD 1-3/4" (306404)..... 161-162  
PTO CV 1-3/8" (69681) ..... 163-164  
PTO CV 1-3/4" (69682) ..... 165-166  
PTO CROSS SHAFT 8R (306401) ..... 167-168  
GEARBOX 1.35:1 L (68065) ..... 169-170  
GEARBOX 1.35:1 L W/ OVERRUN CLUTCH (68066) ..... 171-172  
GEARBOX 1.35:1 T (68067) ..... 173-174  
GEARBOX 1:1.93 T (68068) ..... 175-176  
TORQUE LIMITER CV (305196)..... 177-178  
TORQUE LIMITER STD (305198)..... 179-180  
SIDE DRIVELINE (52397)..... 181-182  
U-JOINT COUPLER (68443) ..... 183-184  
HYDRAULIC COUPLER ASSEMBLY ..... 185-186  
SNAP RING PLIERS (69055) ..... 187

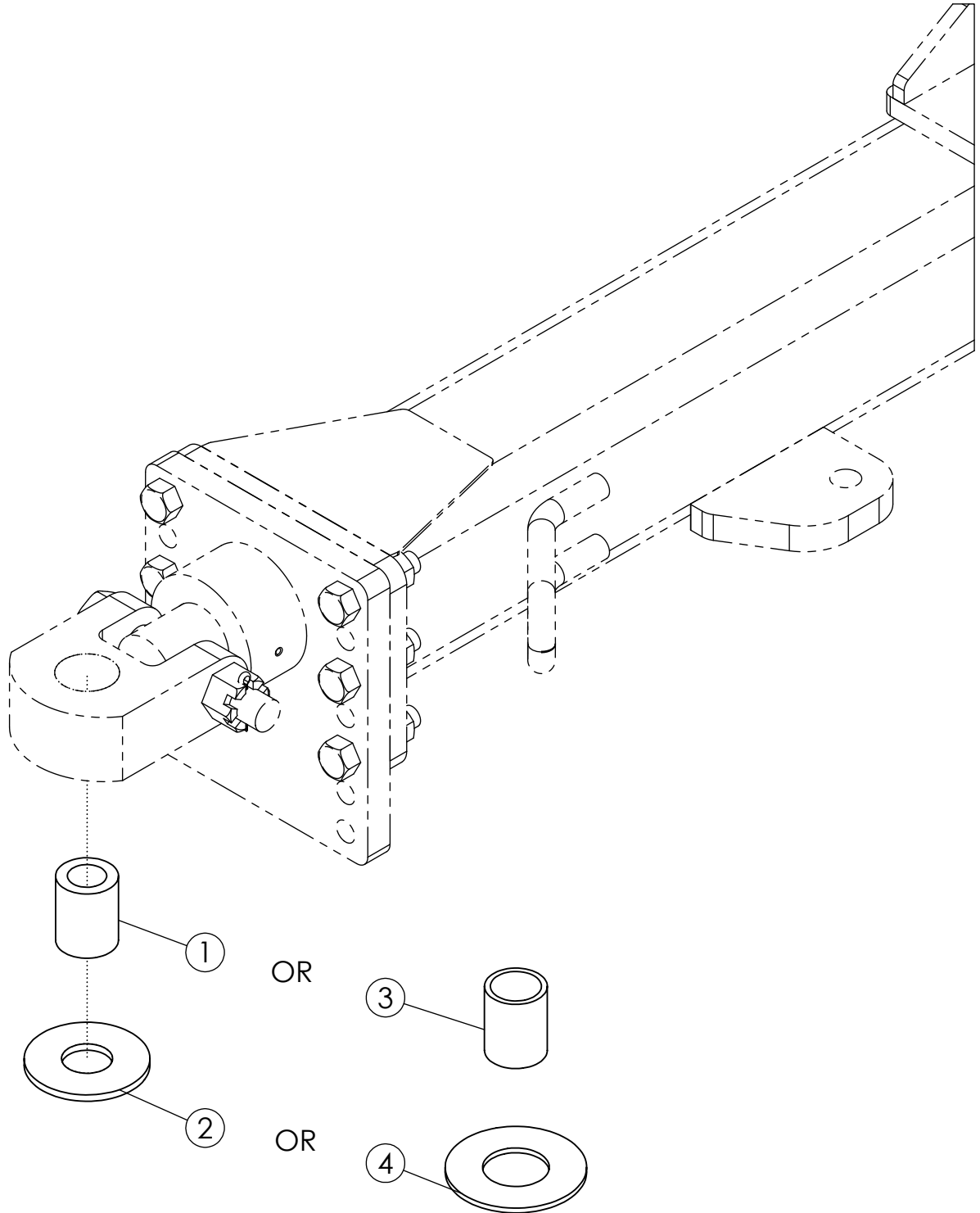
# HITCH ASSEMBLY (68526)



# HITCH ASSEMBLY (68526)

| ITEM | PART NO. | DESCRIPTION                       | QTY |
|------|----------|-----------------------------------|-----|
| 1    | 50341    | WLDMT-HITCH PIVOT 6R/8R STD       | 1   |
| 2    | 68277    | WLDMT - DRAWPOLE DEF              | 1   |
| 3    | 57930    | WLDMT-HITCH PLATE                 | 1   |
| 4    | 62101    | PIN-HITCH MACHINED ZP             | 1   |
| 5    | 1012059  | BOLT-HEX: .75 X 3.00 NC GR5 ZP    | 6   |
| 6    | 1012061  | WASHER-LOCK: .75 ZP               | 6   |
| 7    | 1011620  | NUT-HEX: .75 NC GR2 ZP            | 6   |
| 8    | 64476    | PLATE-PULL HITCH (2.065") PC      | 1   |
| 9    | 62477    | BOLT-HITCH DRILLED                | 1   |
| 10   | 62088    | NUT-SLOTTED: 1.125 NC GR5 ZP      | 1   |
| 11   | 1013473  | PIN-COTTER: .19 X 2.00 ZP         | 1   |
| 12   | 50678    | PIN                               | 1   |
| 13   | 1015117  | BOLT-HEX: .63 X 4.00 NC GR8 ZP    | 1   |
| 14   | 1016595  | NUT-TOPLOCK: .63 NC GR5 ZP        | 1   |
| 15   | 1030756  | BOLT-HEX: 1.25 X 10.50 NC GR5 ZP  | 1   |
| 16   | 1030759  | NUT-TOPLOCK: 1.25 NC ZP           | 1   |
| 17   | 1011748  | ZERK-GREASE .25 UNF STRAIGHT      | 5   |
| 18   | 58090    | CHAIN-SAFETY 20200# (NOT SHOWN)   | 1   |
| 19   | 72021    | BOLT-HEX: 1.38 X 4.50 NC GR5 ZP   | 2   |
| 20   | 1030760  | WASHER-LOCK: 1.38 ZP              | 2   |
| 21   | 1030758  | NUT-HEX: 1.38 NC GR2 ZP           | 2   |
| 22   | 58891    | CYLINDER-HYDRAULIC 4 X 8" 3000    | 2   |
| 23   | 301315   | SEAL KT-CYL 4 X 8, 4 X 10 3000PSI |     |
| 24   | 304186   | ASSY-TRACTOR HYD COUPLERS (BLACK) | 1   |
| 25   | 63367    | ASSY-DEPTH GAUGE                  | 1   |
| 26   | 52407    | RATCHET JACK PAINTED BLACK        | 1   |
| 27   | 301131   | ASSY-HYD HOSE HOLDER (PHANTOM)    | 1   |
| 28   | 1011616  | BOLT-HEX: .44 X 2.25 NC GR5 ZP    | 1   |
| 29   | 1018706  | NUT-TOPLOCK: .44 NC GR5 ZP        | 1   |
| 30   | 1011611  | BOLT-HEX: .50 X 3.00 NC GR5 ZP    | 1   |
| 31   | 1027461  | NUT-TOPLOCK: .50 NC GR5 ZP        | 1   |
| 32   | 52073    | WLDMT-STAND                       | 2   |
| 33   | 52408    | SPRING PIN .50 X 3.50             | 2   |

# HITCH PACKAGE DEF (52145)

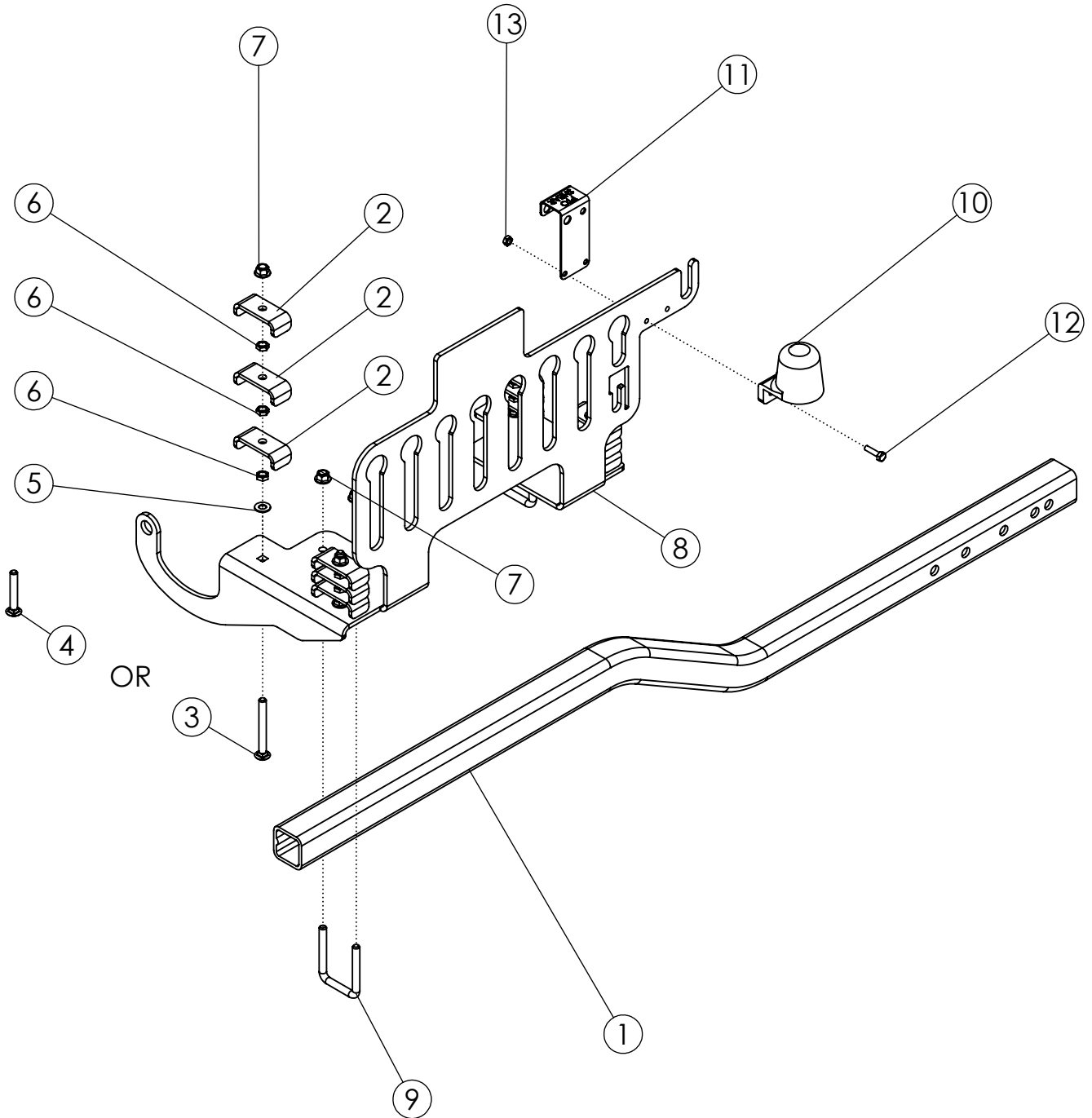


# HITCH PACKAGE DEF (52145)

---

| ITEM | PART NO. | DESCRIPTION                      | QTY |
|------|----------|----------------------------------|-----|
| 1    | 64615    | TUBE-SPACER 2.0 X 1.25           | 1   |
| 2    | 58925    | WASHER-HARDENED 4.000 X 1.625    | 1   |
| 3    | 64614    | TUBE-SPACER                      | 1   |
| 4    | 68645    | WASHER-FLAT: 2.125 X 4.50 X .184 | 1   |

# HOSE HOLDER (301131)

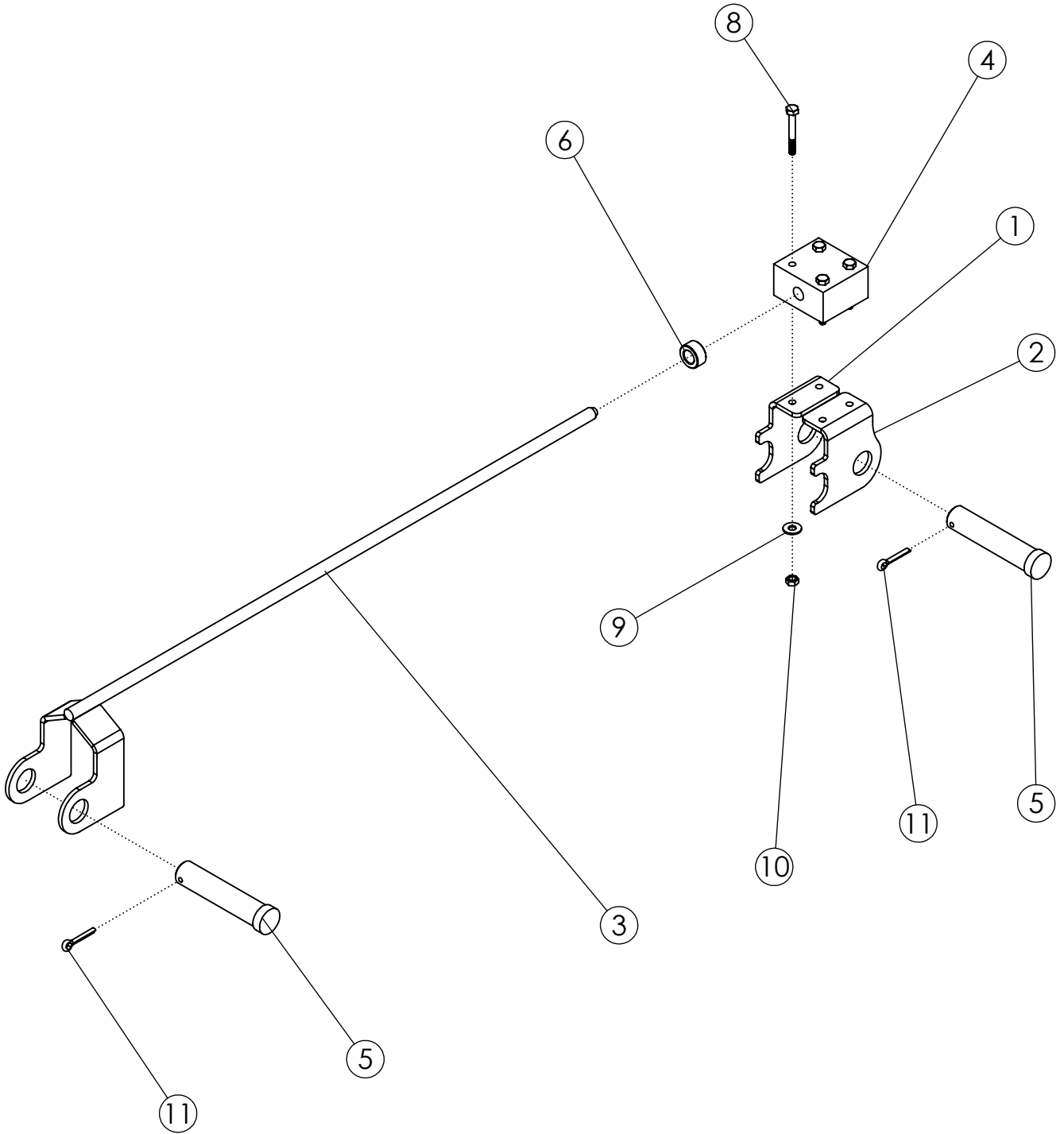


# HOSE HOLDER (301131)

---

| ITEM | PART NO. | DESCRIPTION                        | QTY |
|------|----------|------------------------------------|-----|
| 1    | 301135   | TUBE-HYD HOSE HOLDER               | 1   |
| 2    | 50714    | CLAMP 1/2" ZP                      | 12  |
| 3    | 1030880  | BOLT-CRG: .38 X 3.50 NC GR5 ZP     | 4   |
| 4    | 1030882  | BOLT-CRG: .38 X 2.50 NC GR5 ZP     | 4   |
| 5    | 1014608  | WASHER-FLAT: SAE .38 ZP            | 4   |
| 6    | 1013519  | NUT-JAM: .38 NC GR2 ZP             | 12  |
| 7    | 303731   | NUT-FLANGE: TOPLOCK .38 NC YZP     | 8   |
| 8    | 304215   | PLATE-HOSE HOLDER (2025 - CURRENT) | 1   |
| 9    | 33162    | U-BOLT: .375 X 3 X 2 X 3           | 2   |
| 10   | 223329   | HOLDER-LIGHT PLUG                  | 1   |
| 11   | 307680   | PLATE-PTO SHEAR SS                 | 1   |
| 12   | 1013423  | BOLT-HEX: .25 X 1.00 NC GR5 ZP     | 2   |
| 13   | 1030946  | NUT-TOPLOCK: .25 NC GR5 ZP         | 2   |

# DEPTH GAUGE (63367)

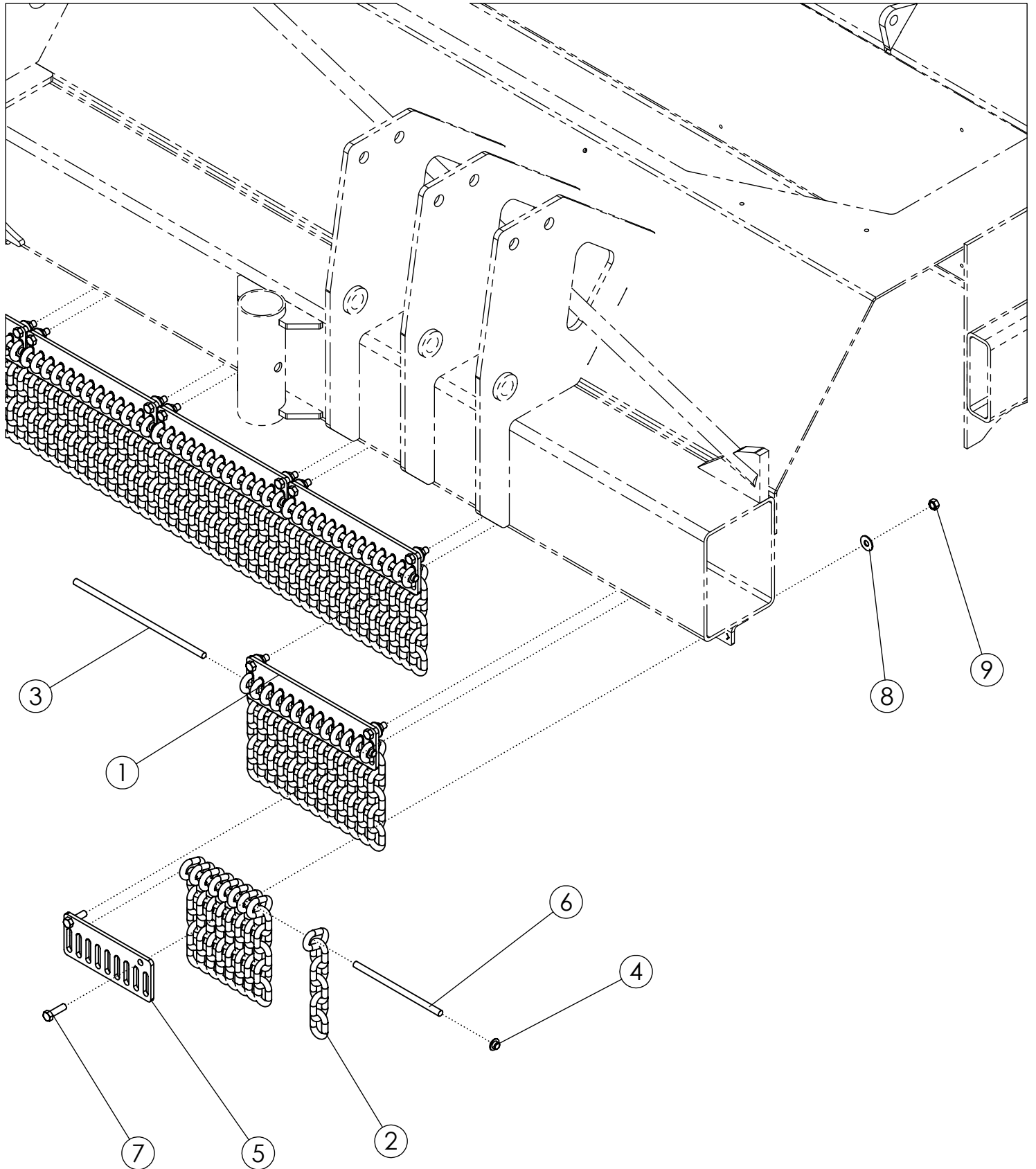


# DEPTH GAUGE (63367)

---

| ITEM | PART NO. | DESCRIPTION                   | QTY |
|------|----------|-------------------------------|-----|
| 1    | 63995    | BRACKET-TOP RH                | 1   |
| 2    | 63996    | BRACKET-TOP LH                | 1   |
| 3    | 63999    | WLDMT-BOTTOM BRACKET ZP       | 1   |
| 4    | 63383    | POLY GUIDE BLOCK              | 1   |
| 5    | 63406    | PIN-CLEVIS: 1.00 X 4.00 ZP    | 2   |
| 6    | 63359    | COLLAR-SET: 9/16 ZP           | 1   |
| 7    | 63405    | DECAL-DEPTH GAUGE (NOT SHOWN) | 1   |
| 8    | 1016211  | BOLT-HEX: .25 X 2.00 NC GR5   | 4   |
| 9    | 1020416  | WASHER-FLAT: .25 ZP           | 4   |
| 10   | 1030946  | NUT-TOPLOCK: .25 NC GR5 ZP    | 4   |
| 11   | 1012375  | PIN-COTTER .19 X 1.50 NP      | 2   |

# REVERSE FRONT SHIELD (68513)

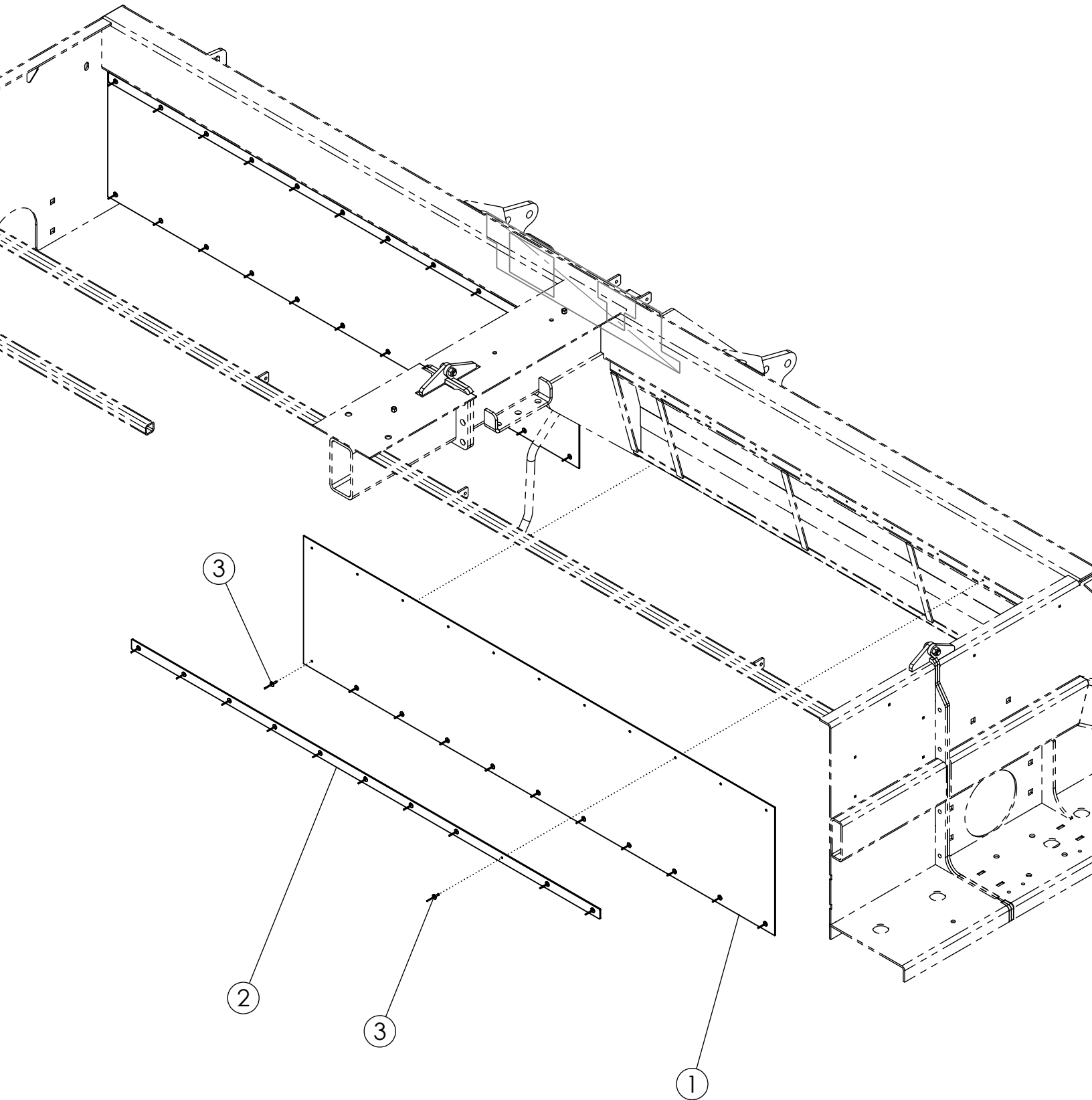


# REVERSE FRONT SHIELD (68513)

---

| ITEM | PART NO. | DESCRIPTION                    | QTY |
|------|----------|--------------------------------|-----|
| 1    | 307717   | PLATE-CHAIN GUARD COMMON       | 14  |
| 2    | 307718   | CHAIN-3/8" X 6 LINKS, GR30 ZP  | 200 |
| 3    | 307782   | ROD-CHAIN RETAINER             | 14  |
| 4    | 307796   | CAP-PUSH ON 3/8 STUD           | 16  |
| 5    | 307720   | PLATE-CHAIN GUARD 8R           | 2   |
| 6    | 307784   | ROD-CHAIN RETAINER 8R ZP       | 2   |
| 7    | 1011601  | BOLT-HEX: .38 X 1.25 NC GR5 ZP | 32  |
| 8    | 65778    | WASHER-FLAT: .38 SS            | 32  |
| 9    | 1016999  | NUT-TOPLOCK: .38 NC GR5 ZP     | 32  |

# FRONT PLASTIC ASSEMBLY (68528)

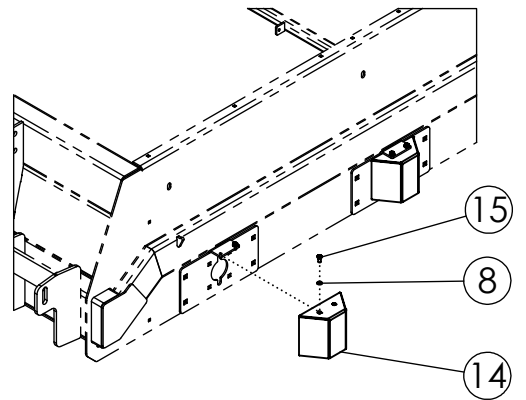
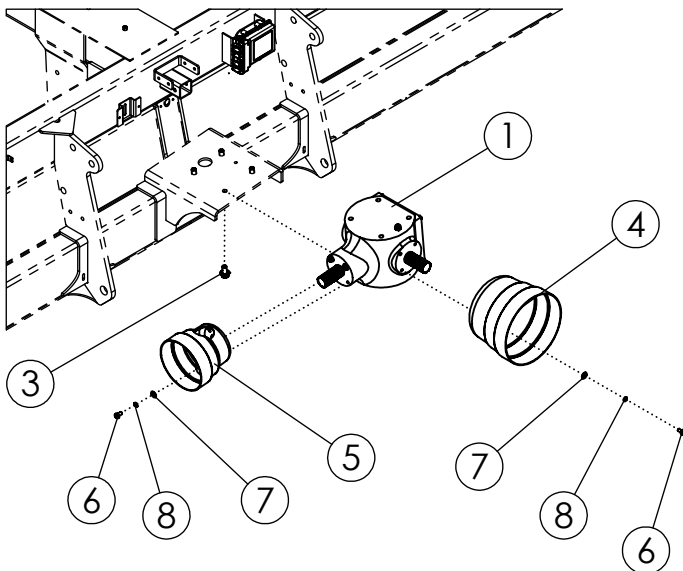
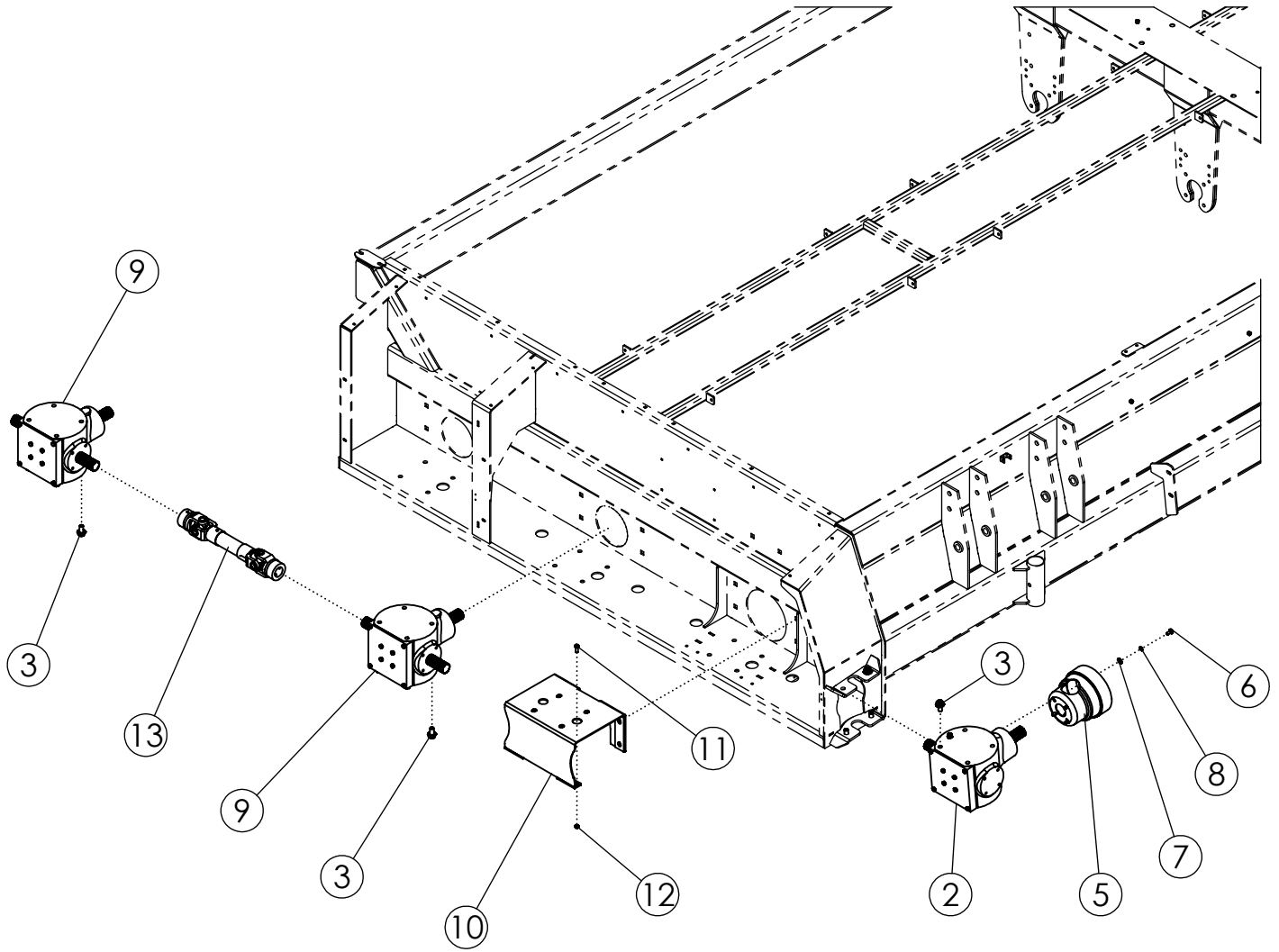


# FRONT PLASTIC ASSEMBLY (68528)

---

| ITEM | PART NO. | DESCRIPTION              | QTY |
|------|----------|--------------------------|-----|
| 1    | 68534    | LINER-FRONT 8R           | 2   |
| 2    | 69107    | BAR-LINER RETAINER 8R    | 2   |
| 3    | 56886    | RIVET-POP: .19 X .675 ZP | 44  |

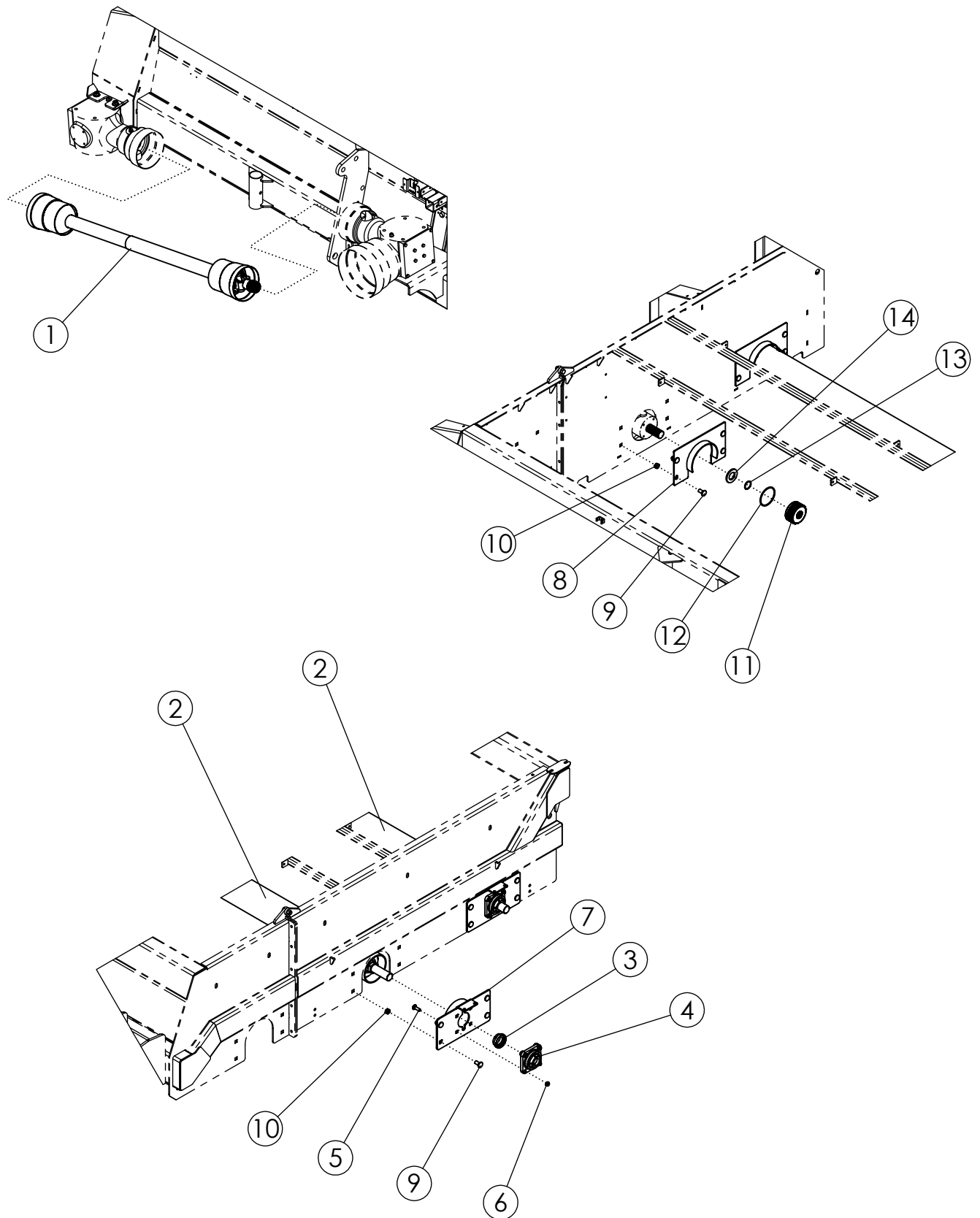
# DRIVE COMPONENTS (68446)



# DRIVE COMPONENTS (68446)

| ITEM | PART NO. | DESCRIPTION                             | QTY |
|------|----------|---|-----|
| 1    | 68065    | GEARBOX-S2125 1.35:1 L                  | 1   |
| 2    | 68066    | GEARBOX-S2125 1.35:1 L W/OVR RN CLU     | 1   |
| 3    | 306104   | BOLT-FLG: M16 X 2.0 X L30 CL10.9 ZP NDP | 16  |
| 4    | 52389    | SHIELD CONE-LARGE                       | 1   |
| 5    | 63972    | SHIELD-CONE SMALL DRILLED               | 2   |
| 6    | 68450    | BOLT-HEX: M10 X 1.5 X L20 CL8.8 ZP      | 12  |
| 7    | 1011828  | WASHER-FLAT: .38 ZP                     | 12  |
| 8    | 1011586  | WASHER-LOCK: .38 ZP                     | 18  |
| 9    | 68067    | GEARBOX-S2125 1.35:1 T                  | 2   |
| 10   | 307313   | WLDMT-GEARBOX BRACE                     | 1   |
| 11   | 1011600  | BOLT-HEX: .38 X 1.00 NC GR5 ZP          | 4   |
| 12   | 1016999  | NUT-TOPLOCK: .38 NC GR5 ZP              | 4   |
| 13   | 52397    | DRIVELINE-SIDE                          | 1   |
| 14   | 68462    | WLDMT-IDLER SHIELD                      | 3   |
| 15   | 1011599  | BOLT-HEX: .38 X .75 NC GR5 ZP           | 6   |

# DRIVE/TUBE COMPONENTS (68448)

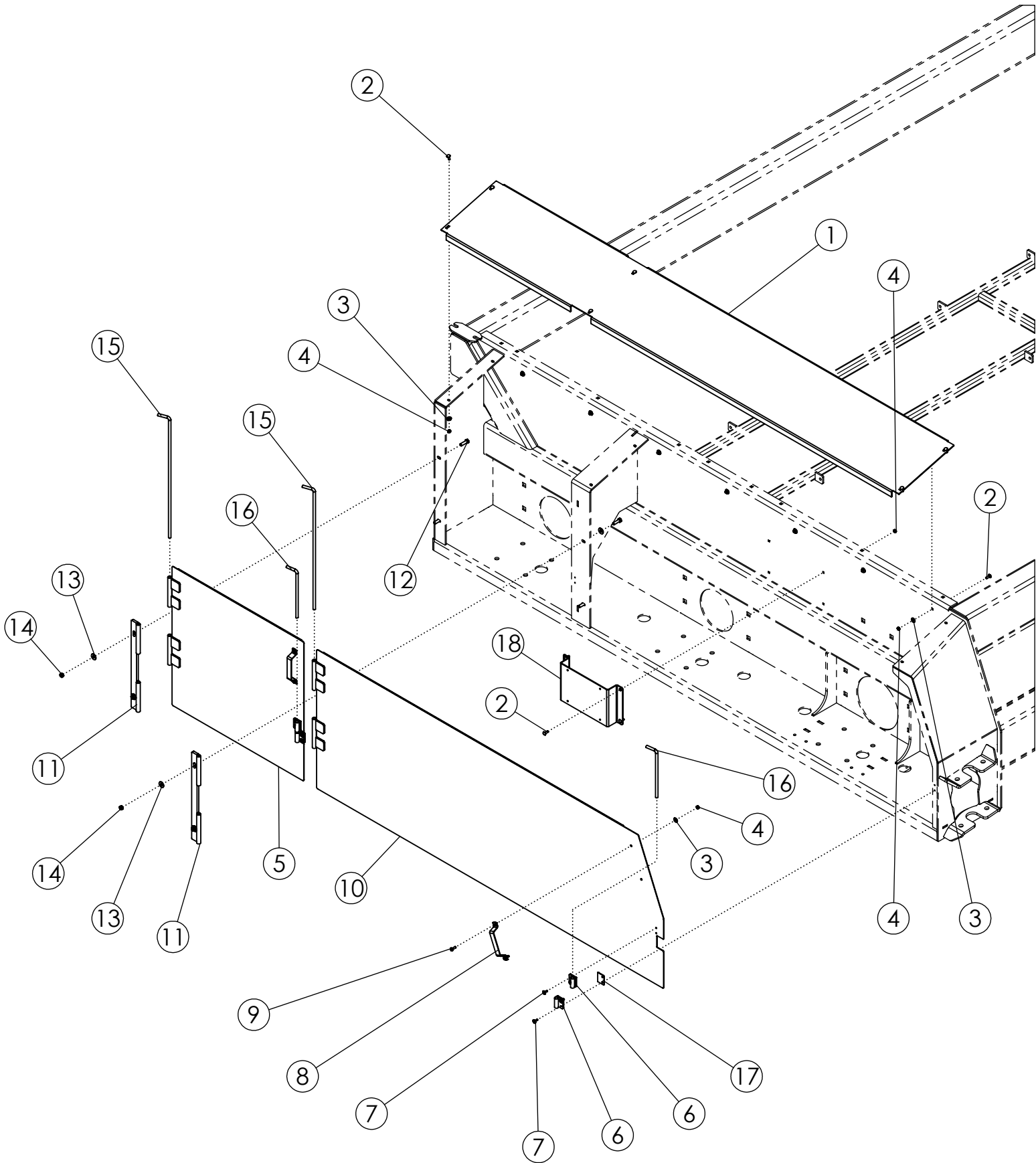


## DRIVE/TUBE COMPONENTS (68448)

---

| ITEM | PART NO. | DESCRIPTION                       | QTY |
|------|----------|-----------------------------------|-----|
| 1    | 306401   | PTO-CROSS SHAFT 8R (DEF)          | 1   |
| 2    | 68490    | FLAIL TUBE-0822 TT SCH 40 PAINTED | 2   |
| 3    | 52382    | SEAL PROTECTOR 1-3/4"             | 2   |
| 4    | 52404    | BEARING-FLANGE 1-3/4"             | 2   |
| 5    | 1011660  | BOLT-CRG: .50 X 1.50 NC GR5 ZP    | 8   |
| 6    | 1027461  | NUT-TOPLOCK: .50 NC GR5 ZP        | 8   |
| 7    | 68244    | WLDMT-PLATE BEARING               | 2   |
| 8    | 51809    | WLDMT-SHIELD ANTI WRAP (NARROW)   | 2   |
| 9    | 72063    | BOLT-CRG: .63 X 1.50 NC GR5 ZP    | 16  |
| 10   | 1016595  | NUT-TOPLOCK: .63 NC GR5 ZP        | 16  |
| 11   | 68413    | COUPLER-DRIVE                     | 2   |
| 12   | 68414    | O-RING-70 BUNA 4.1 X 2.1          | 2   |
| 13   | 64184    | RING-RETAINING 1.750"             | 2   |
| 14   | 306388   | RUBBER-FLAIL TUBE SPACER          | 2   |

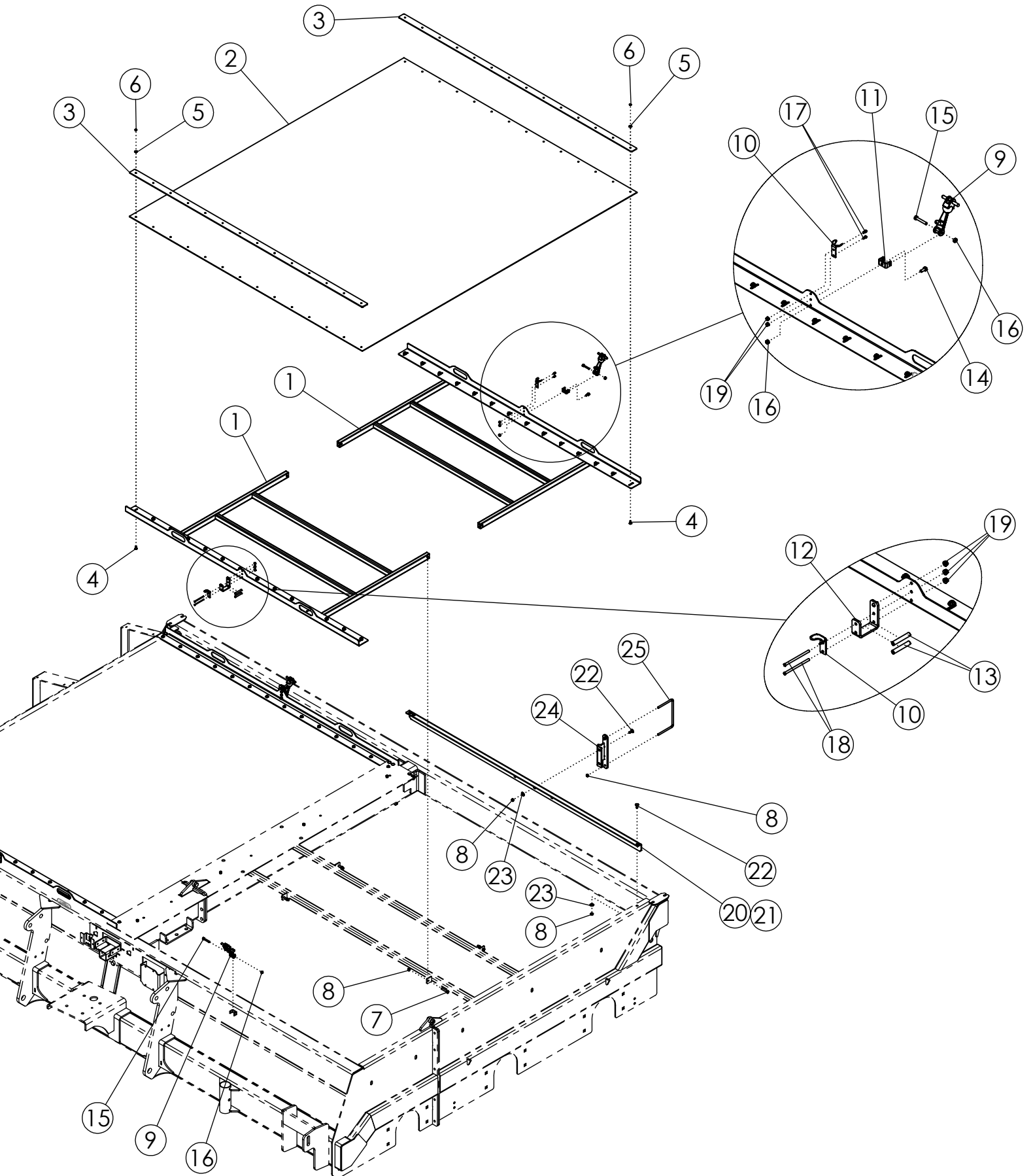
# SIDE DOOR ASSEMBLY (68530)



# SIDE DOOR ASSEMBLY (68530)

| ITEM | PART NO. | DESCRIPTION                      | QTY |
|------|----------|----------------------------------|-----|
| 1    | 68201    | PANEL-TOP SHIELD                 | 1   |
| 2    | 68602    | BOLT-CRG: .25 X .75 NC GR5       | 17  |
| 3    | 1020416  | WASHER-FLAT: .25 ZP              | 17  |
| 4    | 1030946  | NUT-TOPLOCK: .25 NC GR5 ZP       | 21  |
| 5    | 68386    | WLDMT-REAR SIDE DOOR DEF 8R/12R  | 1   |
| 6    | 69140    | WLDMT-DOOR LATCH ZP              | 4   |
| 7    | 1011974  | RIVET-POP: .19 X .55 ZP          | 8   |
| 8    | 68715    | HANDLE-GRAB DOOR                 | 2   |
| 9    | 1011595  | BOLT-HEX: .25 X .75 NC GR5 ZP    | 4   |
| 10   | 68387    | WLDMT-FRONT SIDE DOOR DEF 8R/12R | 1   |
| 11   | 72680    | WLDMT-DOOR HINGE                 | 2   |
| 12   | 1011601  | BOLT-HEX: .38 X 1.25 NC GR5 ZP   | 4   |
| 13   | 1011828  | WASHER-FLAT: .38 ZP              | 8   |
| 14   | 1016999  | NUT-TOPLOCK: .38 NC GR5 ZP       | 4   |
| 15   | 51303    | DOOR HINGE ROD ZP                | 2   |
| 16   | 51304    | DOOR LOCK ZP                     | 2   |
| 17   | 69141    | PLATE-DOOR LATCH SPACER          | 2   |
| 18   | 68324    | PLATE-DEF MANUAL CASE            | 1   |

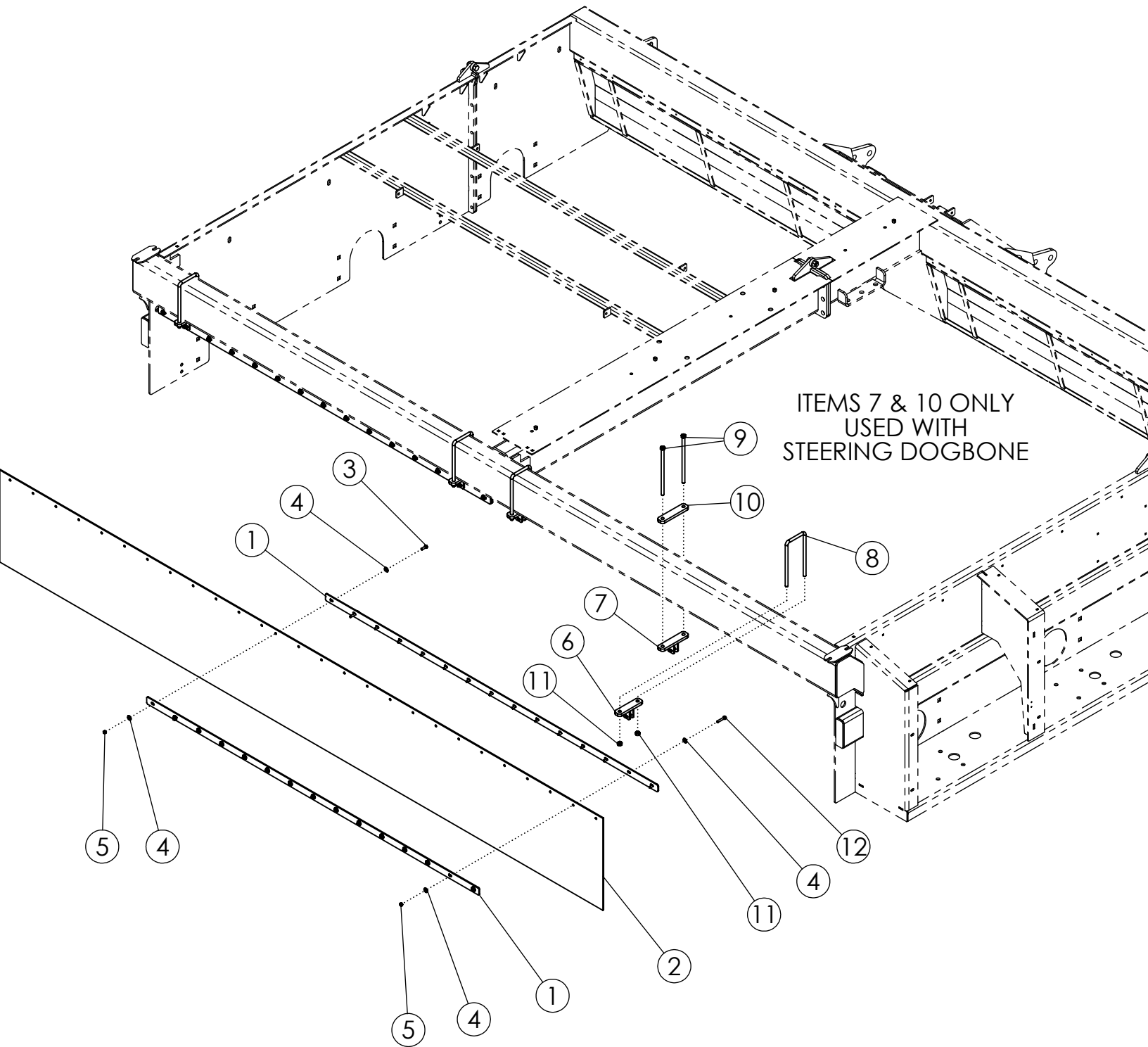
# STEEL TARP ASSEMBLY (68517)



# STEEL TARP ASSEMBLY (68517)

| ITEM | PART NO. | DESCRIPTION                          | QTY |
|------|----------|--------------------------------------|-----|
| 1    | 63148    | WLDMT-TOP DOOR DEF 8R                | 4   |
| 2    | 63147    | TARP 8R STD                          | 2   |
| 3    | 63149    | BRACKET-BOLTING 8R                   | 4   |
| 4    | 68602    | BOLT-CRG: .25 X .75 NC GR5           | 56  |
| 5    | 1020416  | WASHER-FLAT: .25 ZP                  | 56  |
| 6    | 1030946  | NUT-TOPLOCK: .25 NC GR5 ZP           | 56  |
| 7    | 1011725  | BOLT-HEX: .38 X 2.00 NC GR5 ZP       | 8   |
| 8    | 1016999  | NUT-TOPLOCK: .38 NC GR5 ZP           | 20  |
| 9    | 52238    | RUBBER HOOK LARGE                    | 4   |
| 10   | 52239    | HOOD BRACKET-LARGE                   | 4   |
| 11   | 52237    | ANCHOR BRACKET-LARGE ZP              | 2   |
| 12   | 68320    | SHEET-TARP BRACKET                   | 2   |
| 13   | 305392   | TUBE-TARP BRACKET STIFFENER ZP       | 4   |
| 14   | 1011597  | BOLT-HEX: .31 X .75 NC GR5 ZP        | 2   |
| 15   | 1011285  | BOLT-HEX: .31 X 2.00 NC              | 4   |
| 16   | 1030700  | NUT-TOPLOCK: .31 NC GR5 ZP           | 6   |
| 17   | 1013462  | SCREW-R-H-SL: .19 X .50 NC GR2       | 6   |
| 18   | 305393   | SCREW-F-H-S-C: 10-24 X 3.50 NC       | 4   |
| 19   | 1026591  | NUT-K-LOCK: #10-24 NC GR2 ZP         | 10  |
| 20   | 68968    | PLATE-DOOR CROSS 8R LH               | 1   |
| 21   | 68969    | PLATE-DOOR CROSS 8R RH               | 1   |
| 22   | 59488    | BOLT-CRG: .38 X 1.00 NC GR5 ZP       | 8   |
| 23   | 1011828  | WASHER-FLAT: .38 ZP                  | 8   |
| 24   | 69111    | WLDMT-DOOR SUPPORT                   | 2   |
| 25   | 64244    | U-BOLT: .375 X 5.125 X 8.063 X 5.125 | 2   |

# REAR FLAP (307862)



## REAR FLAP (307862)

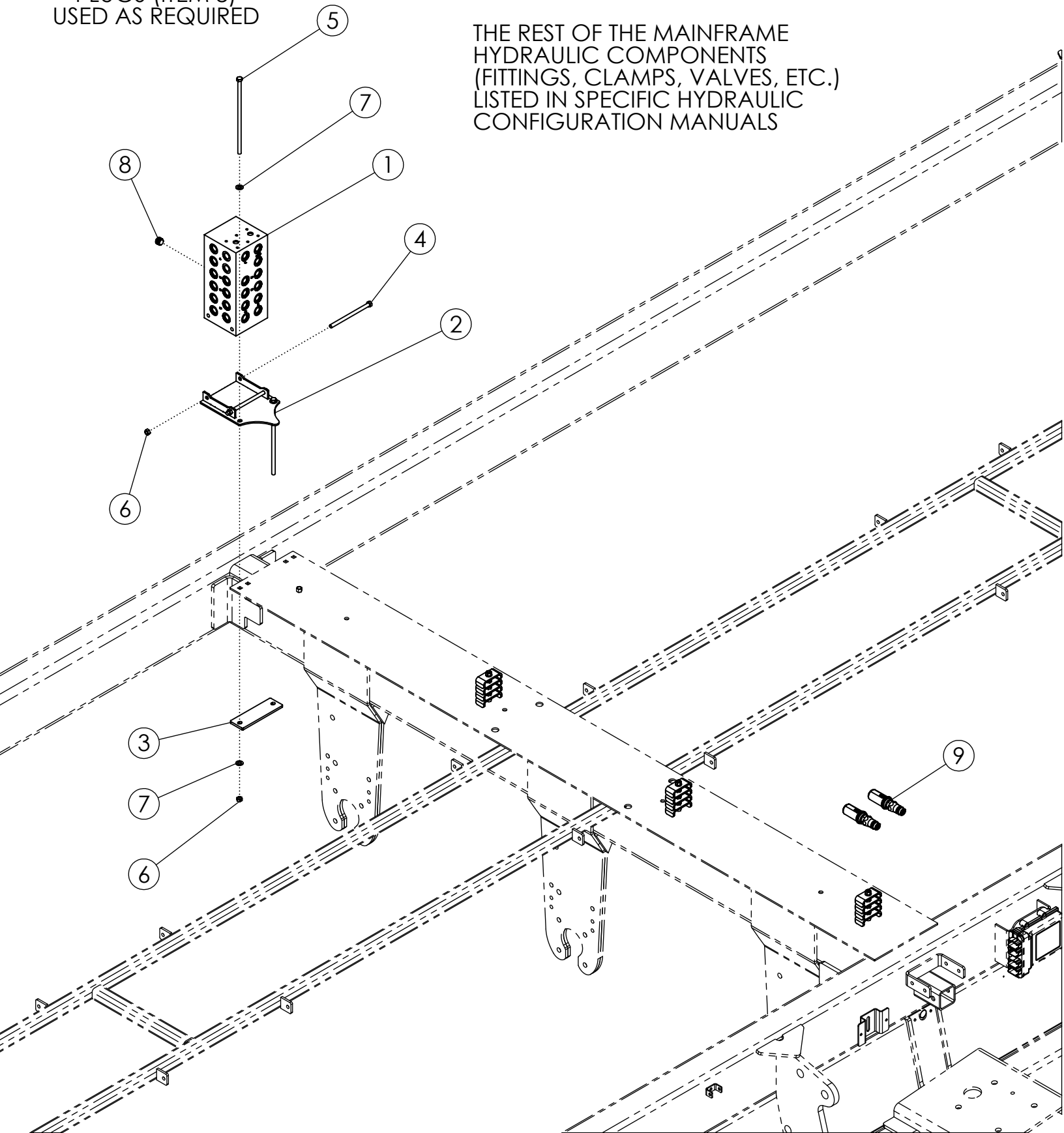
---

| ITEM | PART NO. | DESCRIPTION                         | QTY |
|------|----------|-------------------------------------|-----|
| 1    | 63447    | BAR-REAR FLAP 0822, 0630            | 4   |
| 2    | 52358    | FLAP-REAR (8R22, 6R30)              | 1   |
| 3    | 1011598  | BOLT-HEX: .31 X 1.00 NC GR5 ZP      | 26  |
| 4    | 1011583  | WASHER-FLAT: .31 ZP                 | 60  |
| 5    | 1030700  | NUT-TOPLOCK: .31 NC GR5 ZP          | 30  |
| 6    | 63448    | WLDMT-REAR FLAP MOUNT               | 4   |
| 7    | 306693   | WLDMT-REAR FLAP STRUT MOUNT         | 1   |
| 8    | 63458    | U-BOLT: .50 X 9.25 X 4.00 X 9.25 ZP | 4   |
| 9    | 1027369  | BOLT-HEX: .50 X 10.0 NC GR5 ZP      | 2   |
| 10   | 306695   | PLATE-FLAP MOUNT BASE RED           | 1   |
| 11   | 1027461  | NUT-TOPLOCK: .50 NC GR5 ZP          | 8   |
| 12   | 1013424  | BOLT-HEX .31 X 1.75 NC              | 4   |

# MAINFRAME HYD MOUNTING (305336)

PLUGS (ITEM 8)  
USED AS REQUIRED

THE REST OF THE MAINFRAME  
HYDRAULIC COMPONENTS  
(FITTINGS, CLAMPS, VALVES, ETC.)  
LISTED IN SPECIFIC HYDRAULIC  
CONFIGURATION MANUALS

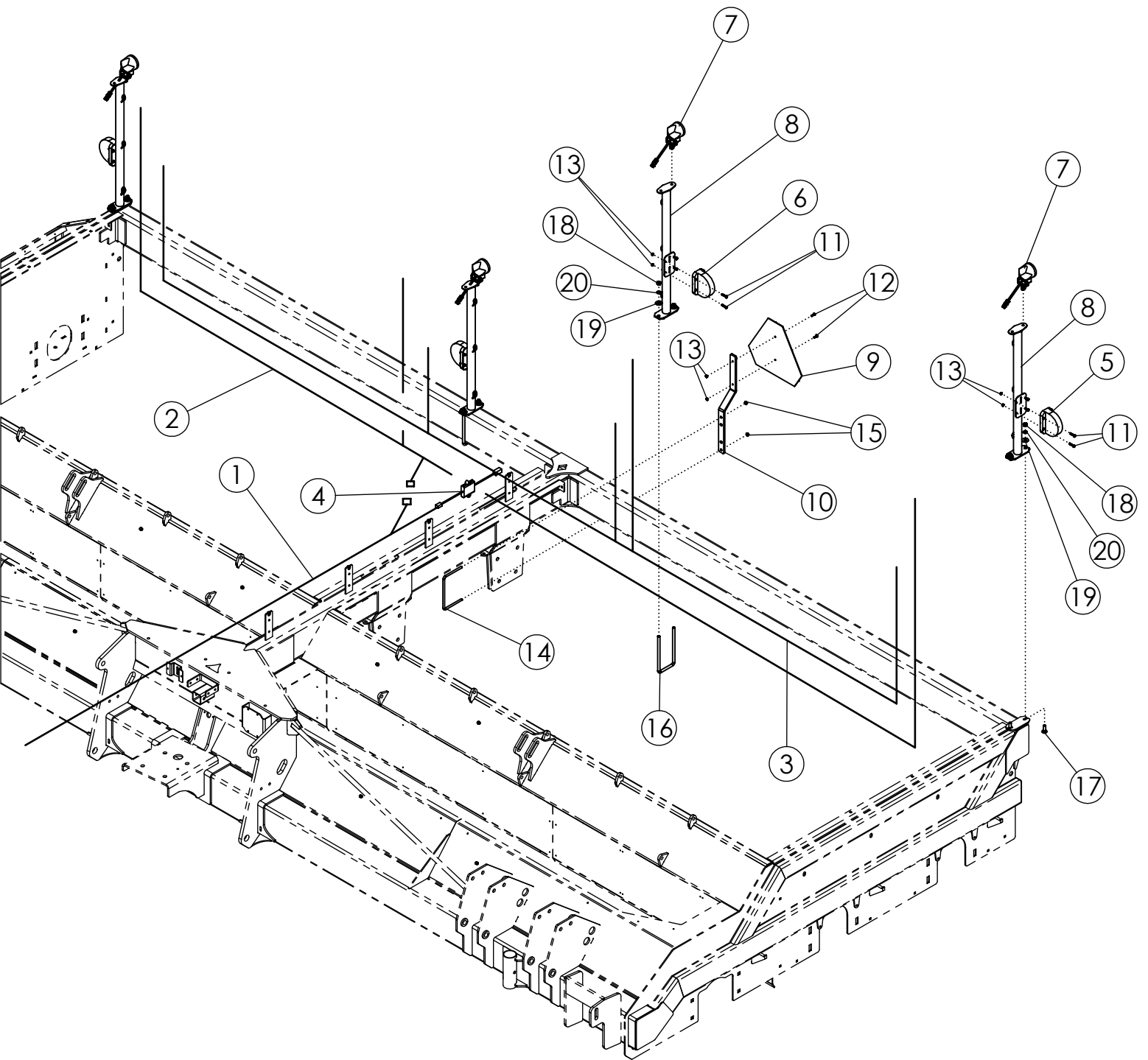


# MAINFRAME HYD MOUNTING (305336)

---

| ITEM | PART NO. | DESCRIPTION                                  | QTY |
|------|----------|--|-----|
| 1    | 307564   | HYDRAULIC BLOCK REAR DEF (AHC COMPATIBLE)    | 1   |
| 2    | 305659   | WLDMT-VALVE BLOCK MOUNT                      | 1   |
| 3    | 305662   | PLATE-VALVE BLOCK BOLTING                    | 1   |
| 4    | 34925    | BOLT-HEX: .38 X 6.00 NC GR5 ZP               | 2   |
| 5    | 305663   | BOLT-HEX: .38 X 10.00 NC GR5 ZP              | 2   |
| 6    | 1016999  | NUT-TOPLOCK: .38 NC GR5 ZP                   | 4   |
| 7    | 1014608  | WASHER-FLAT: SAE .38 ZP                      | 4   |
| 8    | 305666   | FTG-PLUG: 8MB PLUG ALLEN HEX SOCKET (6409-8) | AR  |
| 9    | 304189   | ASSY-TRACTOR HYD COUPLERS (GOLD)             | 1   |

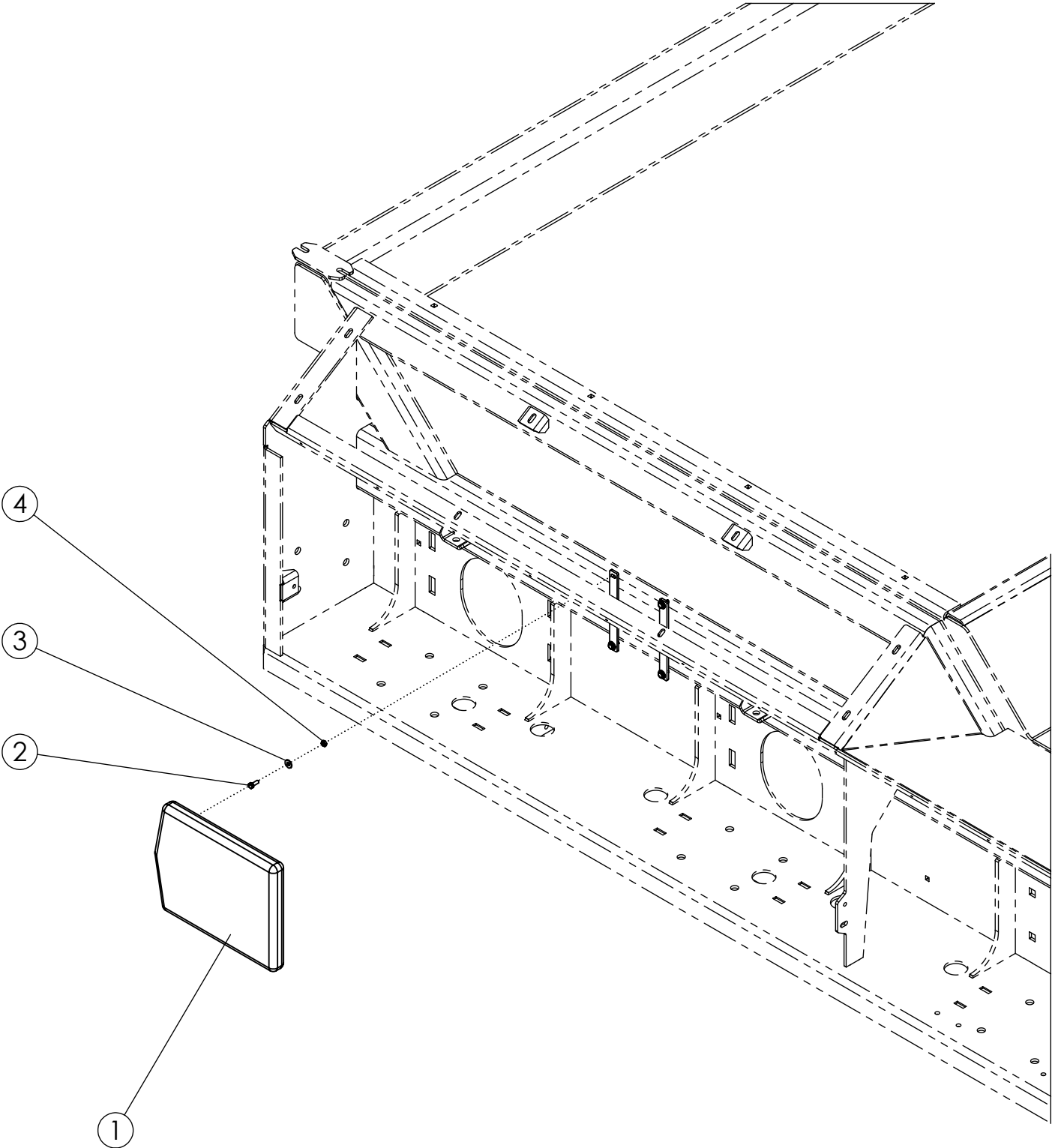
# LIGHT KIT (305609)



# LIGHT KIT (305609)

| ITEM | PART NO. | DESCRIPTION                              | QTY |
|------|----------|--|-----|
| 1    | 305213   | HARNESS-DEF MAIN 6R/8R/12R               | 1   |
| 2    | 305214   | HARNESS-DEF WORK LIGHT 8R/12R            | 1   |
| 3    | 305215   | HARNESS-DEF HAZARD 8R/12R                | 1   |
| 4    | 305216   | HARNESS-FLASHER MODULE                   | 1   |
| 5    | 305217   | LIGHT-YELLOW LAMP SAE                    | 2   |
| 6    | 305218   | LIGHT-RED LAMP SAE                       | 2   |
| 7    | 301294   | LIGHT-GROTE T26 NEAR FLOOD               | 4   |
| 8    | 305219   | WLDMT-LIGHT MOUNT                        | 4   |
| 9    | 65329    | SIGN-SMV ASAE S276.5                     | 1   |
| 10   | 64246    | MOUNT-SMV SIGN                           | 1   |
| 11   | 1013940  | BOLT-HEX: .25 X 1.25 NC GR5              | 16  |
| 12   | 1011595  | BOLT-HEX: .25 X .75 NC GR5 ZP            | 2   |
| 13   | 1030946  | NUT-TOPLOCK: .25 NC GR5 ZP               | 18  |
| 14   | 64244    | U-BOLT: .375 X 5.125 X 8.063 X 5.125     | 1   |
| 15   | 1016999  | NUT-TOPLOCK: .38 NC GR5 ZP               | 2   |
| 16   | 63458    | U-BOLT: .50 X 9.25 X 4.00 X 9.25 ZP      | 2   |
| 17   | 1011660  | BOLT-CRG: .50 X 1.50 NC GR5 ZP           | 4   |
| 18   | 1011577  | NUT-HEX: .50 NC GR2 ZP                   | 8   |
| 19   | 1014443  | WASHER-FLAT: .50 ZP                      | 8   |
| 20   | 1011581  | WASHER-LOCK: .50 ZP                      | 8   |
| 21   | 1013122  | TIE-NYLON CABLE 50# X 15.50" (NOT SHOWN) | 12  |

# MANUAL STORAGE CASE DEF (64643)

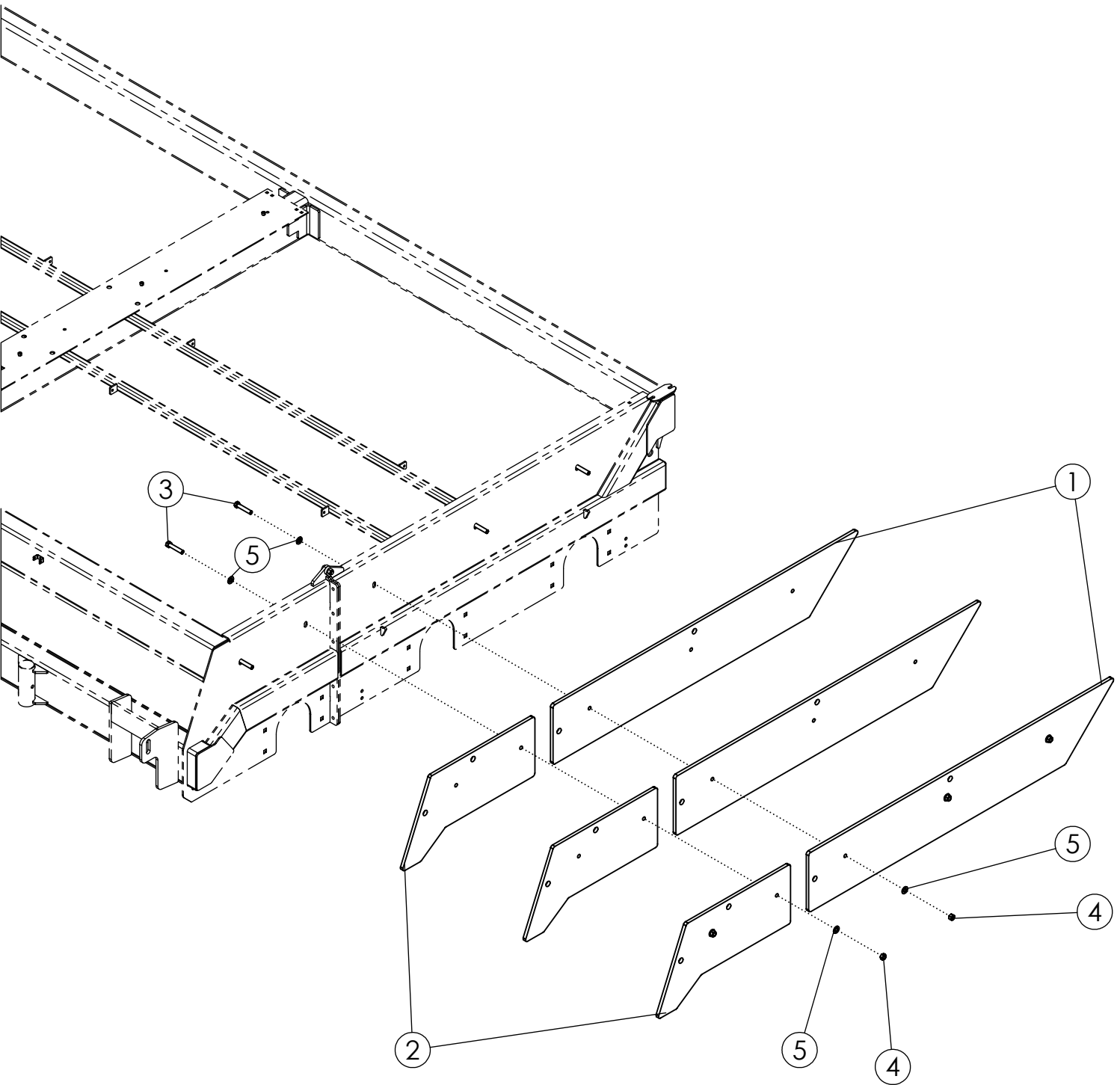


# MANUAL STORAGE CASE DEF (64643)

---

| ITEM | PART NO. | DESCRIPTION                   | QTY |
|------|----------|-------------------------------|-----|
| 1    | 64635    | CASE-MANUAL STORAGE           | 1   |
| 2    | 1011595  | BOLT-HEX: .25 X .75 NC GR5 ZP | 4   |
| 3    | 1020416  | WASHER-FLAT: .25 ZP           | 4   |
| 4    | 1030946  | NUT-TOPLOCK: .25 NC GR5 ZP    | 4   |

# WEIGHT KIT (306357)

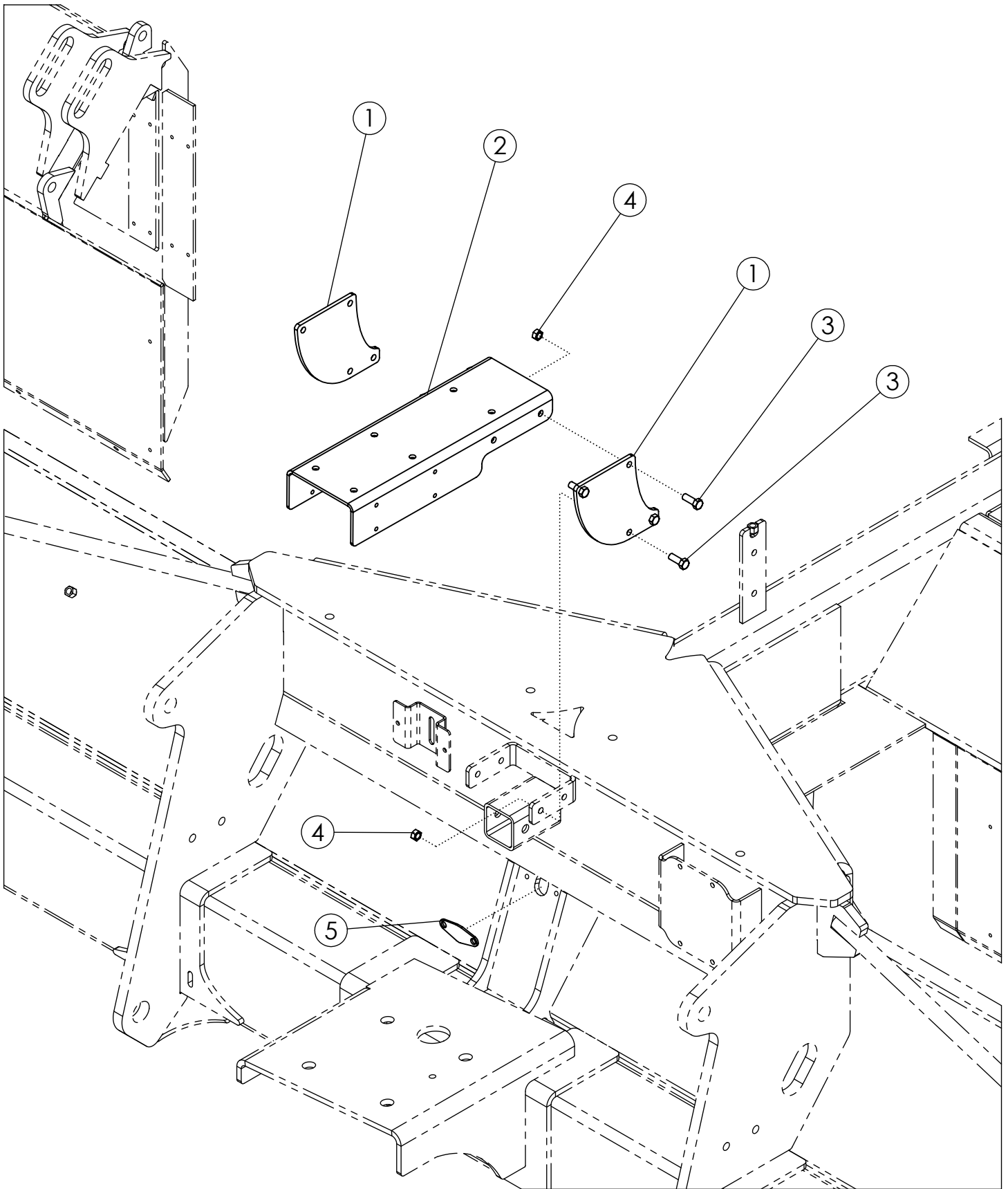


# WEIGHT KIT (306357)

---

| ITEM | PART NO. | DESCRIPTION                    | QTY |
|------|----------|--------------------------------|-----|
| 1    | 306355   | PLATE-WEIGHT 8R DEF            | 3   |
| 2    | 306358   | PLATE-WEIGHT DEF FR            | 3   |
| 3    | 65825    | BOLT-HEX: .63 X 3.25 NC GR5 ZP | 5   |
| 4    | 1016595  | NUT-TOPLOCK: .63 NC GR5 ZP     | 5   |
| 5    | 1013004  | WASHER-FLAT: SAE .63 ZP        | 10  |

# AHC/FLOATING STRUT VALVE MOUNT (307016)



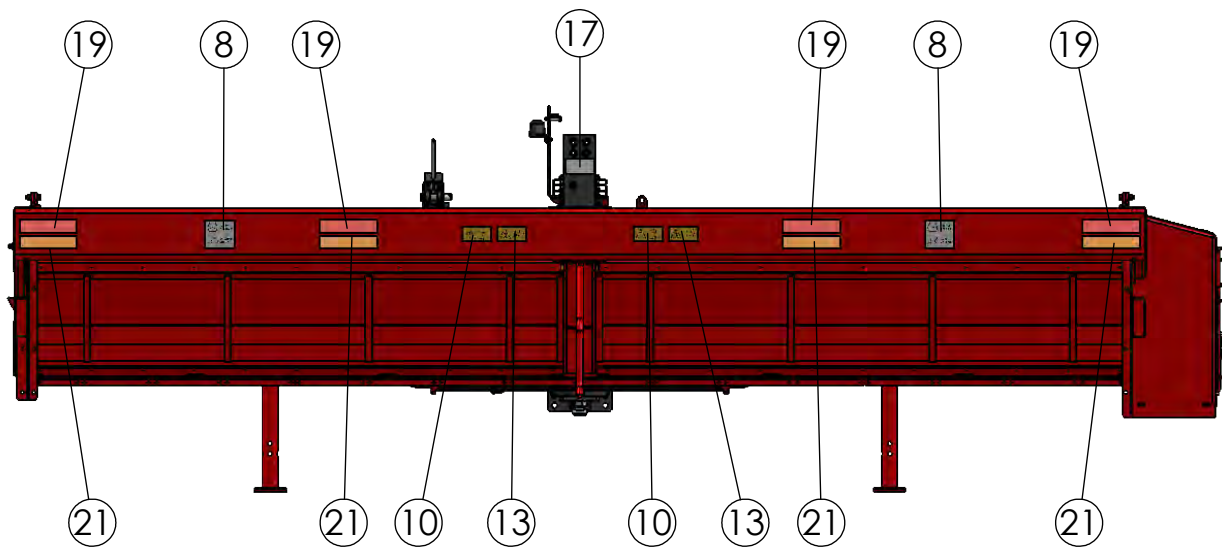
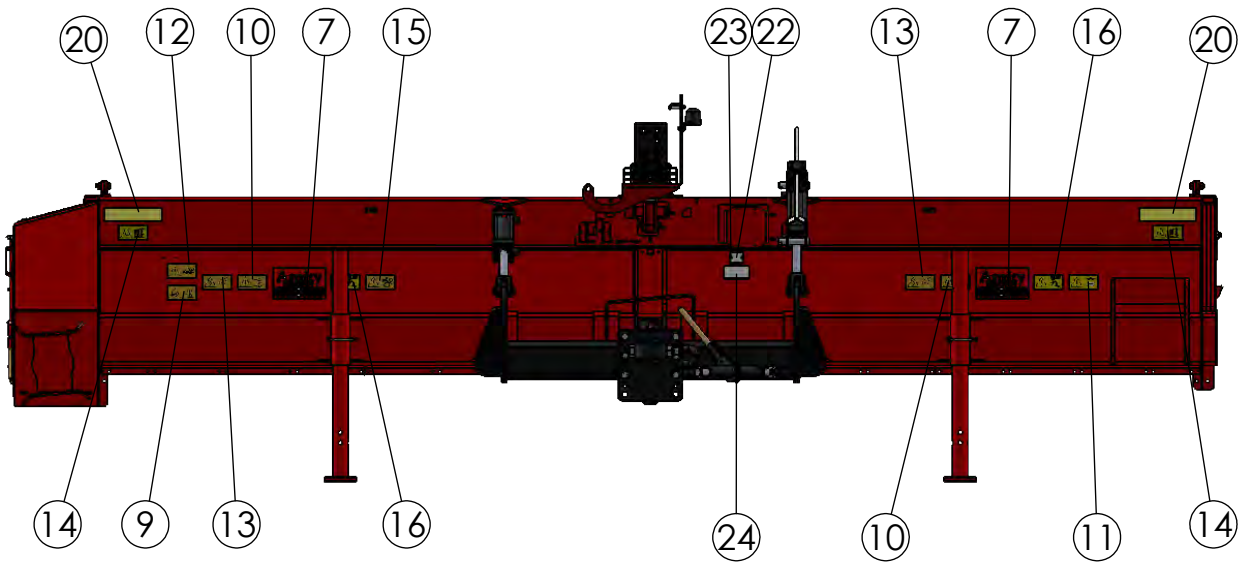
# AHC/FLOATING STRUT VALVE MOUNT (307016)

---

| ITEM | PART NO. | DESCRIPTION                    | QTY |
|------|----------|--------------------------------|-----|
| 1    | 306987   | PLATE-AHC BASE EXTENDER        | 2   |
| 2    | 306988   | PLATE-AHC BASE MOUNT           | 1   |
| 3    | 1011600  | BOLT-HEX: .38 X 1.00 NC GR5 ZP | 8   |
| 4    | 1016999  | NUT-TOPLOCK: .38 NC GR5 ZP     | 8   |
| 5    | 307394   | PLATE-HARNESS HOLE COVER       | 1   |

# 3500 DEF DECALS (69648)

FRONT VIEW



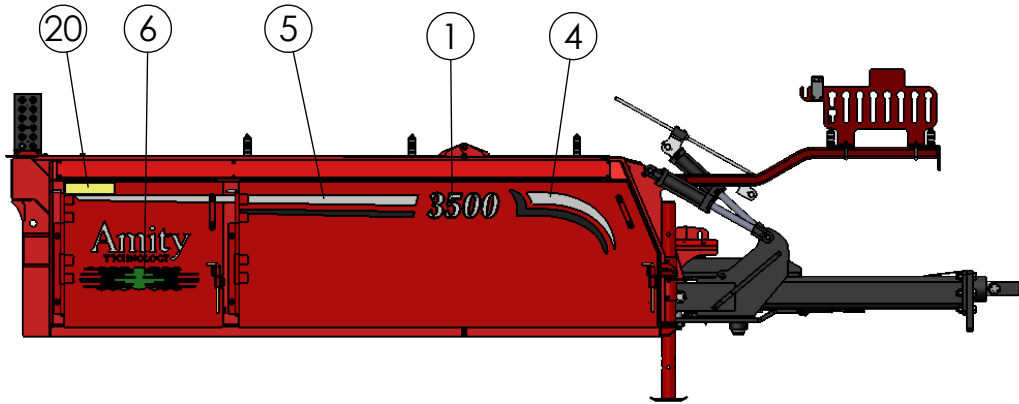
REAR VIEW

## 3500 DEF DECALS (69648)

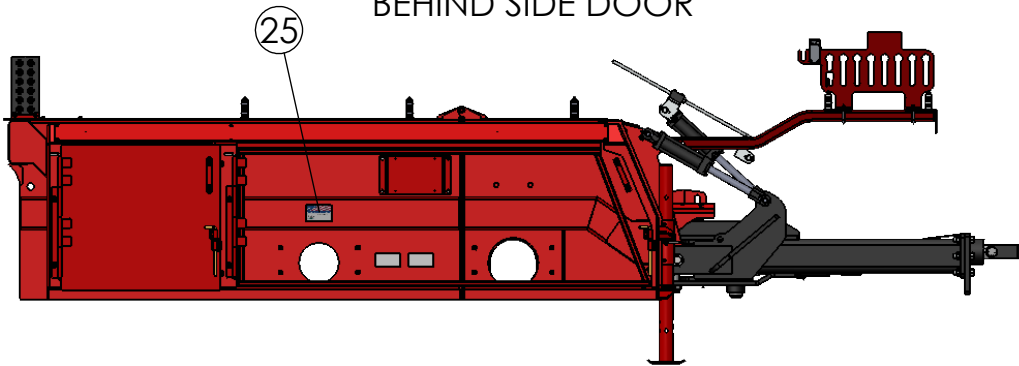
| ITEM | PART NO. | DESCRIPTION                      | QTY |
|------|----------|----------------------------------|-----|
| 1    | 69402    | DECAL-3500 6X12 (8R22, 6R30)     | 2   |
| 2    | 69405    | DECAL-LH CURVE 7.25X22           | 1   |
| 3    | 69406    | DECAL-LH STRIPE 4X63             | 1   |
| 4    | 69407    | DECAL-RH CURVE 7.25X22           | 1   |
| 5    | 69408    | DECAL-RH STRIPE 4X63             | 1   |
| 6    | 69399    | DECAL-AMITY LOGO 12X24 (GRN GLB) | 2   |
| 7    | 63465    | DECAL-AMITY LOGO SMALL           | 2   |
| 8    | 303353   | DECAL- TIRE PRESSURE DEF         | 2   |
| 9    | 9971013  | DECAL-GUARD MISSING              | 2   |
| 10   | 303267   | DECAL-DANGER FLAILS              | 4   |
| 11   | 997859   | DECAL-ENGINE OFF                 | 1   |
| 12   | 303268   | DECAL-DANGER ROTATING            | 1   |
| 13   | 307165   | DECAL-CAUTION DOORS              | 4   |
| 14   | 9971015  | DECAL- FALL OFF HAZARD           | 2   |
| 15   | 303263   | DECAL-DANGER MOVING PARTS        | 2   |
| 16   | 303265   | DECAL-DANGER UNDER MACHINE       | 2   |
| 17   | 997867   | DECAL- FLUID UNDER PRESSURE      | 1   |
| 18   | 307797   | DECAL-HOSE COLOR CHART 00 SERIES | 1   |
| 19   | 65330    | DECAL-RED RETROREFLECTIVE        | 4   |
| 20   | 65331    | DECAL-YELLOW RETROREFLECTIVE     | 4   |
| 21   | 65332    | DECAL-RED/ORANGE FLUORESCENT     | 4   |
| 22   | 1028371  | TAG: SERIAL#/MODEL#/YEAR         | 1   |
| 23   | 59882    | RIVET-POP: .13 X .31 ZP          | 2   |
| 24   | 303769   | DECAL-US PATENT QR CODE          | 1   |
| 25   | 303804   | DECAL-PROUDLY MADE AT AMITY      | 1   |

# 3500 DEF DECALS (69648)

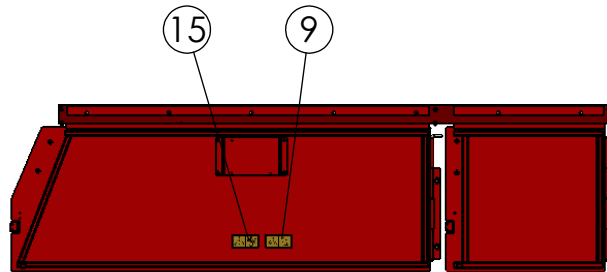
RH SIDE VIEW



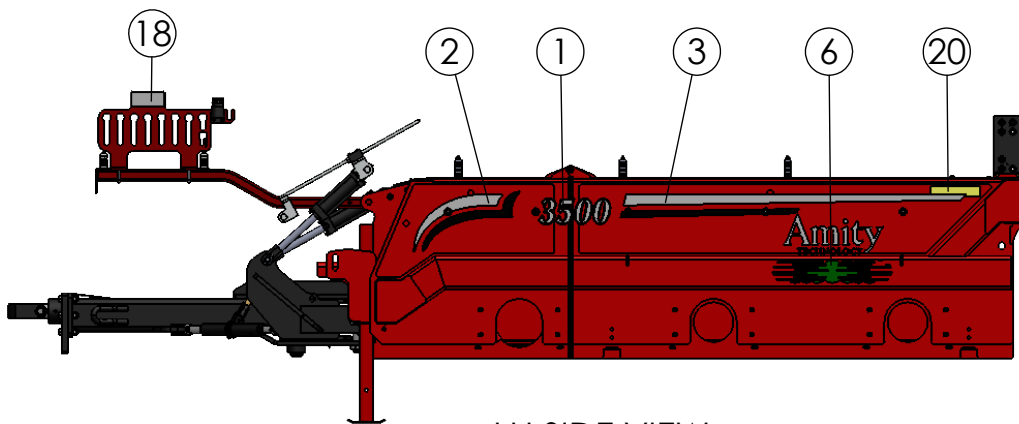
BEHIND SIDE DOOR



BACK SIDE OF DOOR



BACK SIDE OF DOOR

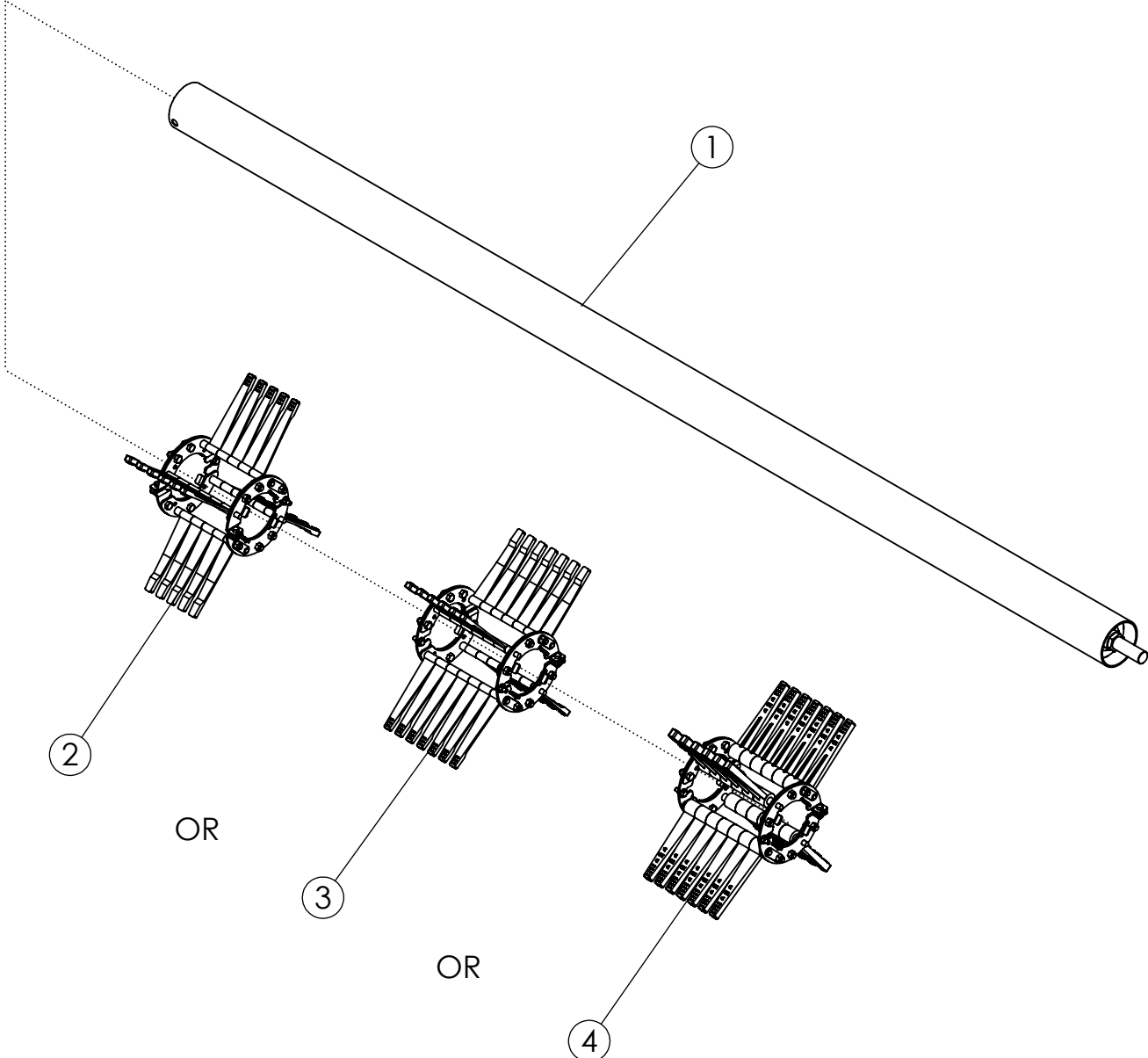


LH SIDE VIEW

## 3500 DEF DECALS (69648)

| ITEM | PART NO. | DESCRIPTION                      | QTY |
|------|----------|----------------------------------|-----|
| 1    | 69402    | DECAL-3500 6X12 (8R22, 6R30)     | 2   |
| 2    | 69405    | DECAL-LH CURVE 7.25X22           | 1   |
| 3    | 69406    | DECAL-LH STRIPE 4X63             | 1   |
| 4    | 69407    | DECAL-RH CURVE 7.25X22           | 1   |
| 5    | 69408    | DECAL-RH STRIPE 4X63             | 1   |
| 6    | 69399    | DECAL-AMITY LOGO 12X24 (GRN GLB) | 2   |
| 7    | 63465    | DECAL-AMITY LOGO SMALL           | 2   |
| 8    | 303353   | DECAL- TIRE PRESSURE DEF         | 2   |
| 9    | 9971013  | DECAL-GUARD MISSING              | 2   |
| 10   | 303267   | DECAL-DANGER FLAILS              | 4   |
| 11   | 997859   | DECAL-ENGINE OFF                 | 1   |
| 12   | 303268   | DECAL-DANGER ROTATING            | 1   |
| 13   | 307165   | DECAL-CAUTION DOORS              | 4   |
| 14   | 9971015  | DECAL- FALL OFF HAZARD           | 2   |
| 15   | 303263   | DECAL-DANGER MOVING PARTS        | 2   |
| 16   | 303265   | DECAL-DANGER UNDER MACHINE       | 2   |
| 17   | 997867   | DECAL- FLUID UNDER PRESSURE      | 1   |
| 18   | 307797   | DECAL-HOSE COLOR CHART 00 SERIES | 1   |
| 19   | 65330    | DECAL-RED RETROREFLECTIVE        | 4   |
| 20   | 65331    | DECAL-YELLOW RETROREFLECTIVE     | 4   |
| 21   | 65332    | DECAL-RED/ORANGE FLUORESCENT     | 4   |
| 22   | 1028371  | TAG: SERIAL#/MODEL#/YEAR         | 1   |
| 23   | 59882    | RIVET-POP: .13 X .31 ZP          | 2   |
| 24   | 303769   | DECAL-US PATENT QR CODE          | 1   |
| 25   | 303804   | DECAL-PROUDLY MADE AT AMITY      | 1   |

# FRONT DRUM 8R FORWARD (68260)

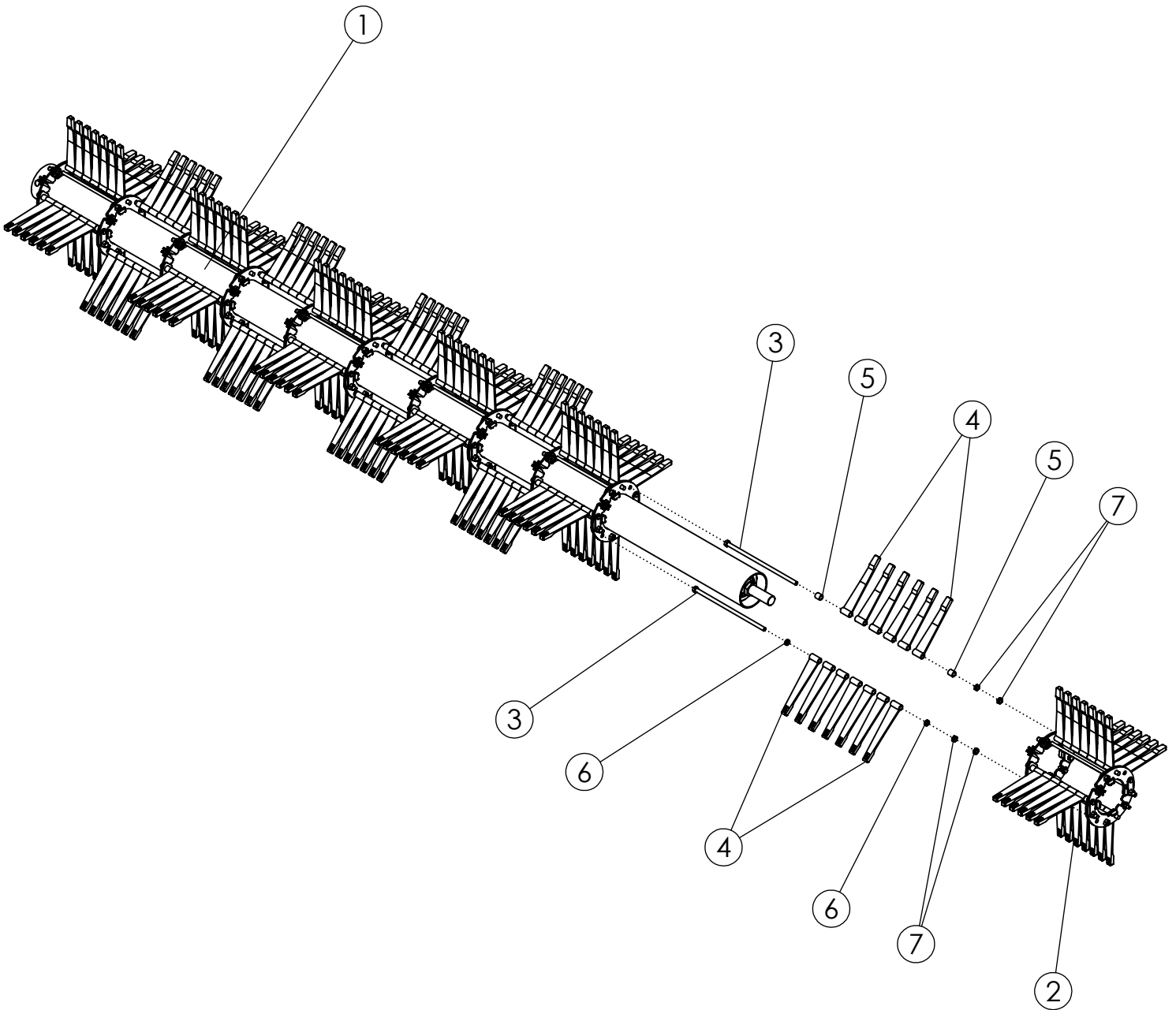


# FRONT DRUM 8R FORWARD (68260)

---

| ITEM | PART NO. | DESCRIPTION                       | QTY |
|------|----------|-----------------------------------|-----|
| 1    | 68490    | FLAIL TUBE-0822 TT SCH 40 PAINTED | 1   |
| 2    | 52123    | ASSY-FLAIL #1 22" (STUDDER)       | 1   |
| 3    | 52126    | ASSY-FLAIL #1 30" (STUDDER)       | 1   |
| 4    | 64327    | ASSY-FLAIL #1 30" (1" PREMIER)    | 1   |

# FRONT DRUM 8R REVERSE 6R30 (68263)

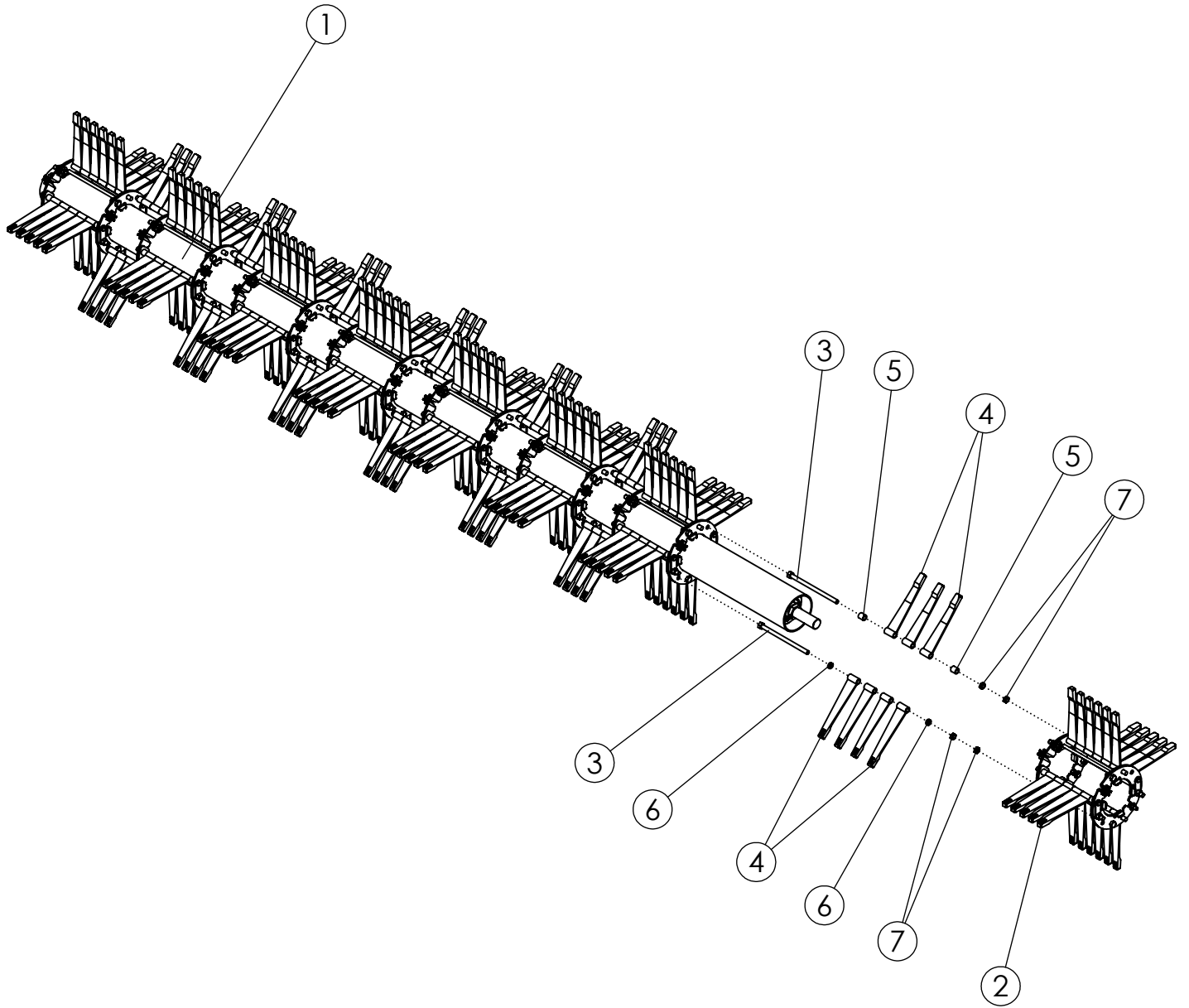


# FRONT DRUM 8R REVERSE 6R30 (68263)

---

| ITEM | PART NO. | DESCRIPTION                       | QTY |
|------|----------|-----------------------------------|-----|
| 1    | 68490    | FLAIL TUBE-0822 TT SCH 40 PAINTED | 1   |
| 2    | 58543    | ASSY-FLAIL #1 30" REVERSE         | 6   |
| 3    | 307660   | BOLT-HEX: .63 X 16.625 NC GR8 ZP  | 10  |
| 4    | 52356    | FLAIL-STUDDDED 1 X 12             | 65  |
| 5    | 51549    | SPACER-1"                         | 10  |
| 6    | 51547    | SPACER-5/16"                      | 10  |
| 7    | 1026259  | NUT-JAM: .63 NC GR2 ZP            | 20  |

# FRONT DRUM 8R REVERSE 8R22 (68261)

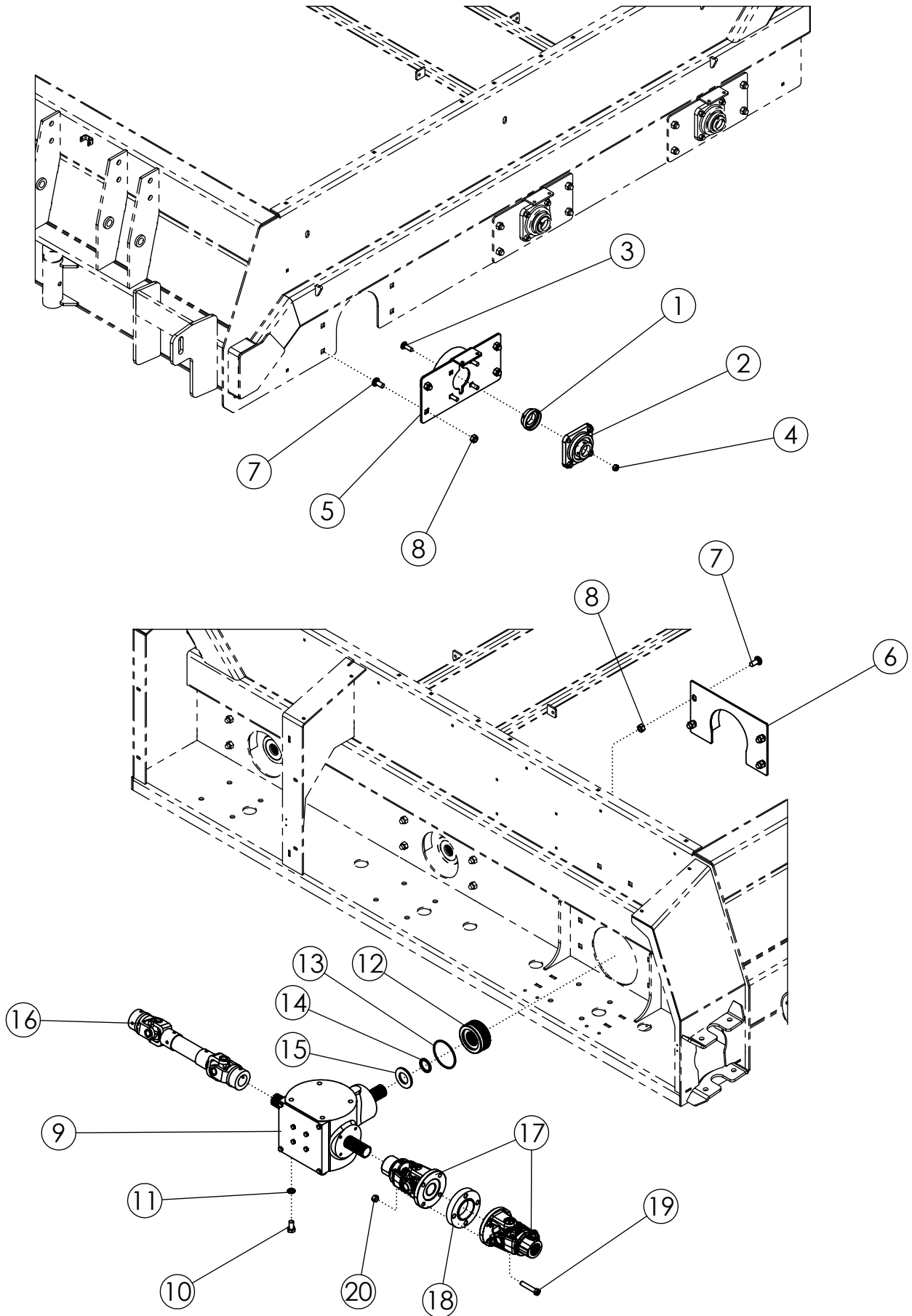


# FRONT DRUM 8R REVERSE 8R22 (68261)

---

| ITEM | PART NO. | DESCRIPTION                       | QTY |
|------|----------|-----------------------------------|-----|
| 1    | 68490    | FLAIL TUBE-0822 TT SCH 40 PAINTED | 1   |
| 2    | 58542    | ASSY-FLAIL #1 22" REVERSE         | 8   |
| 3    | 64600    | WLDMT-FLAIL ROD REVERSE 22"       | 14  |
| 4    | 52356    | FLAIL-STUDDDED 1 X 12             | 49  |
| 5    | 51549    | SPACER-1"                         | 14  |
| 6    | 51547    | SPACER-5/16"                      | 14  |
| 7    | 1026259  | NUT-JAM: .63 NC GR2 ZP            | 28  |

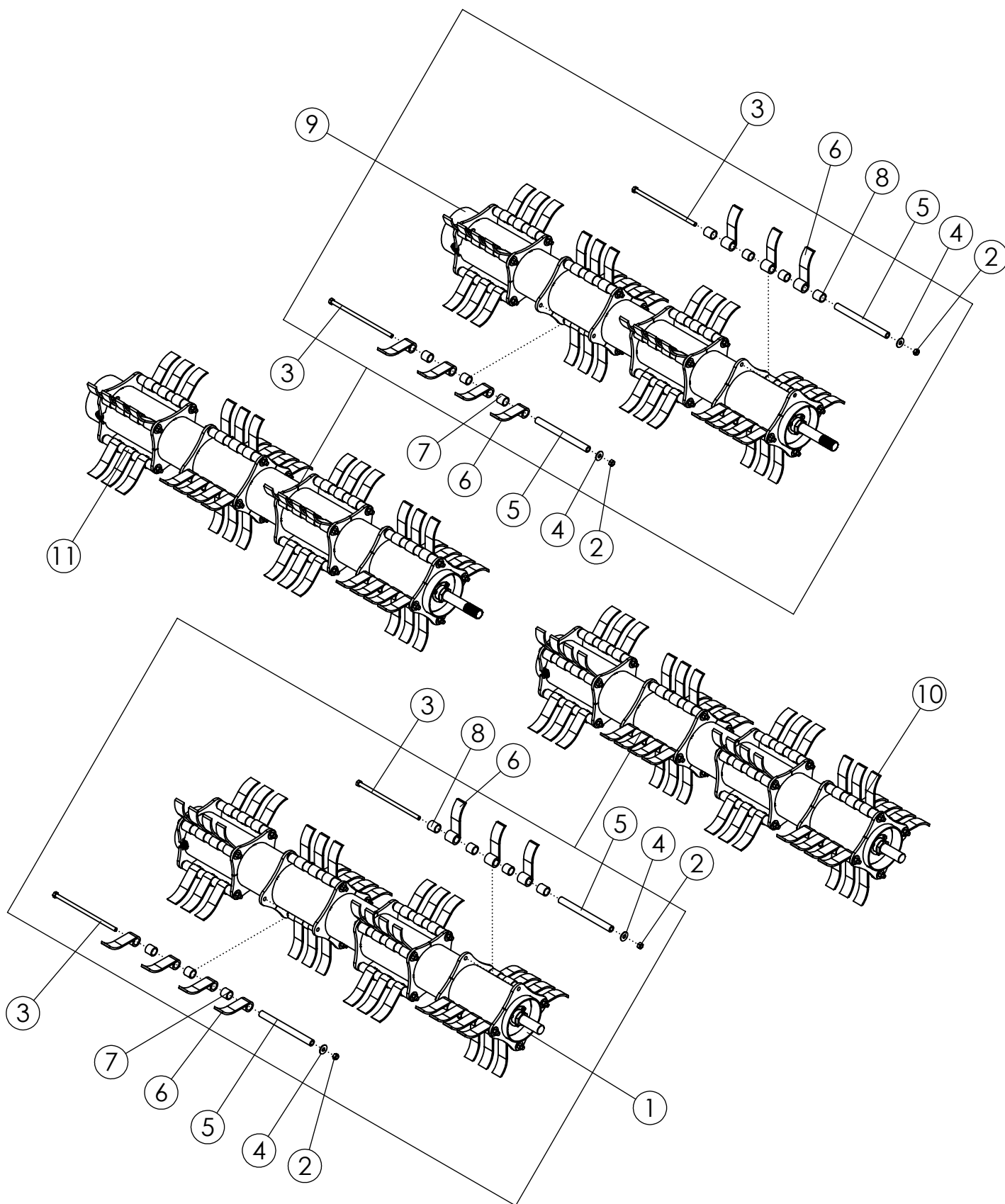
# FRONT DRUM RUBBER OUTER MOUNT (305309)



# FRONT DRUM RUBBER OUTER MOUNT (305309)

| ITEM | PART NO. | DESCRIPTION                         | QTY |
|------|----------|-------------------------------------|-----|
| 1    | 52382    | SEAL PROTECTOR 1-3/4"               | 1   |
| 2    | 52404    | BEARING-FLANGE 1-3/4"               | 1   |
| 3    | 1011660  | BOLT-CRG: .50 X 1.50 NC GR5 ZP      | 4   |
| 4    | 1027461  | NUT-TOPLOCK: .50 NC GR5 ZP          | 4   |
| 5    | 68244    | WLDMT-PLATE BEARING                 | 1   |
| 6    | 51809    | WLDMT-SHIELD ANTI WRAP (NARROW)     | 1   |
| 7    | 72063    | BOLT-CRG: .63 X 1.50 NC GR5 ZP      | 8   |
| 8    | 1016595  | NUT-TOPLOCK: .63 NC GR5 ZP          | 8   |
| 9    | 68067    | GEARBOX-S2125 1.35:1 T              | 1   |
| 10   | 68449    | BOLT-HEX: M 16 X 2.0 X L30 CL8.8 ZP | 4   |
| 11   | 1011813  | WASHER-LOCK: .63 ZP                 | 4   |
| 12   | 68413    | COUPLER-DRIVE                       | 1   |
| 13   | 68414    | O-RING-70 BUNA 4.1 X 2.1            | 1   |
| 14   | 68415    | SNAP RING                           | 1   |
| 15   | 306388   | RUBBER-FLAIL TUBE SPACER            | 1   |
| 16   | 52397    | DRIVELINE-SIDE                      | 1   |
| 17   | 68443    | COUPLER-UNIVERSAL JOINT             | 1   |
| 18   | 305154   | PLATE-SPACER COUPLER 90 DEG.        | 1   |
| 19   | 305192   | BOLT-HEX: .56 X 3.00 NC GR5 ZP      | 4   |
| 20   | 59105    | NUT-TOPLOCK: .56 NC GR8 ZP          | 4   |

# FRONT DRUM 8R22 STEEL FLAIL (306858)

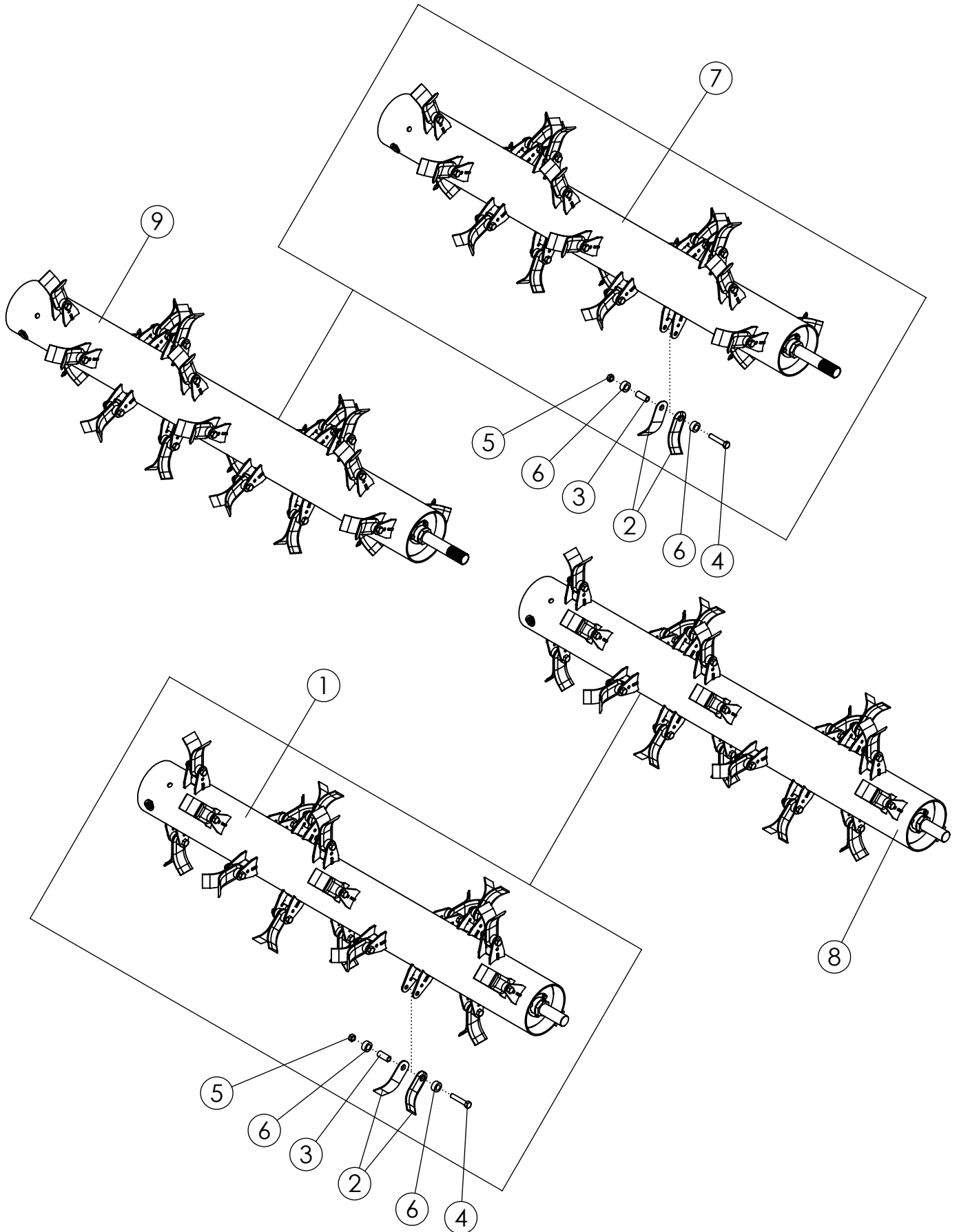


# FRONT DRUM 8R22 STEEL FLAIL (306858)

---

| ITEM | PART NO. | DESCRIPTION  | QTY |
|------|----------|--|-----|
| 1    | 307469   | WLDMT-STEEL FLAIL TUBE-LH 0822                     | 1   |
| 2    | 1016595  | NUT-TOPLOCK: .63 NC GR5 ZP                         | 32  |
| 3    | 306766   | BOLT-HEX: .63 X 14.875 NC GR8 ZP                   | 32  |
| 4    | 1013024  | WASHER-FLAT: .63 ZP                                | 32  |
| 5    | 307388   | BUSHING-FLAIL 12.688" 1.13" OD HT                  | 32  |
| 6    | 307387   | FLAIL-CUP 7.0" 1.25" EYE                           | 112 |
| 7    | 307390   | SPACER 1.45" LARGE- 1.25" EYE                      | 80  |
| 8    | 307391   | SPACER 1.70" LARGE- 1.25" EYE                      | 32  |
| 9    | 307476   | WLDMT-STEEL FLAIL TUBE-RH 0822                     | 1   |
| 10   | 307467   | ASSY-DRUM CUP 8.5"-1.25"EYE 4-PIN 8R22 LH BALANCED | 1   |
| 11   | 307474   | ASSY-DRUM CUP 8.5"-1.25"EYE 4-PIN 8R22 RH BALANCED | 1   |

# FRONT DRUM 8R22 STEEL L-KNIFE (68082)

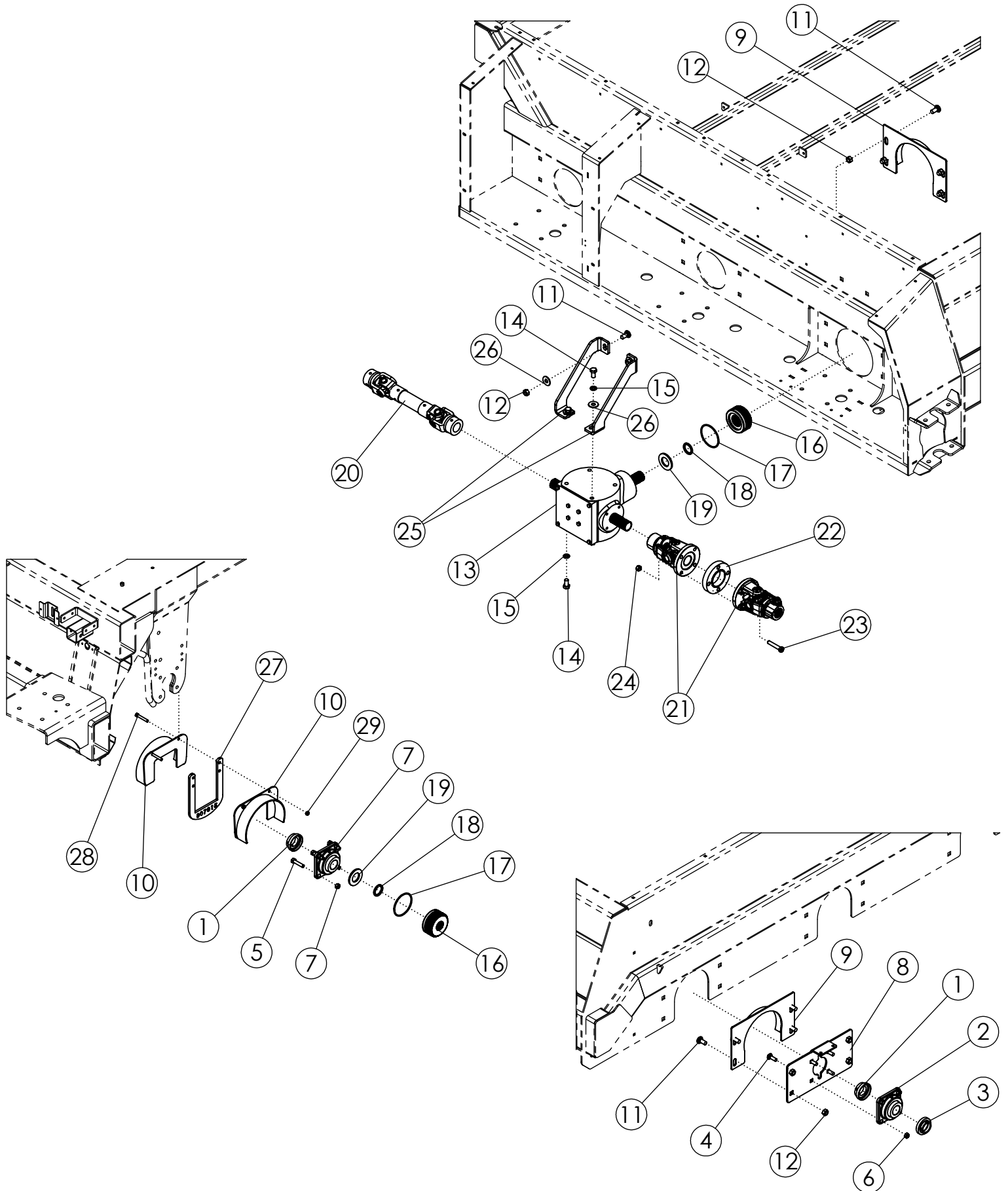


# FRONT DRUM 8R22 STEEL L-KNIFE (68082)

---

| ITEM | PART NO. | DESCRIPTION                             | QTY |
|------|----------|---|-----|
| 1    | 307514   | WLDMT-STEEL FLAIL TUBE-LH 0822 8.5"     | 1   |
| 2    | 307236   | FLAIL-STEEL 5.31" LONG                  | 80  |
| 3    | 68427    | BUSHING-L KNIFE                         | 40  |
| 4    | 65825    | BOLT-HEX: .63 X 3.25 NC GR5 ZP          | 40  |
| 5    | 1016595  | NUT-TOPLOCK: .63 NC GR5 ZP              | 40  |
| 6    | 68426    | SPACER-POLYURETHANE L KNIFE             | 80  |
| 7    | 307521   | WLDMT-STEEL FLAIL TUBE-RH 0822 8.5"     | 1   |
| 8    | 307512   | ASSY-DRUM L-FLAIL 8.5" 8R22 LH BALANCED | 1   |
| 9    | 307519   | ASSY-DRUM L-FLAIL 8.5" 8R22 RH BALANCED | 1   |

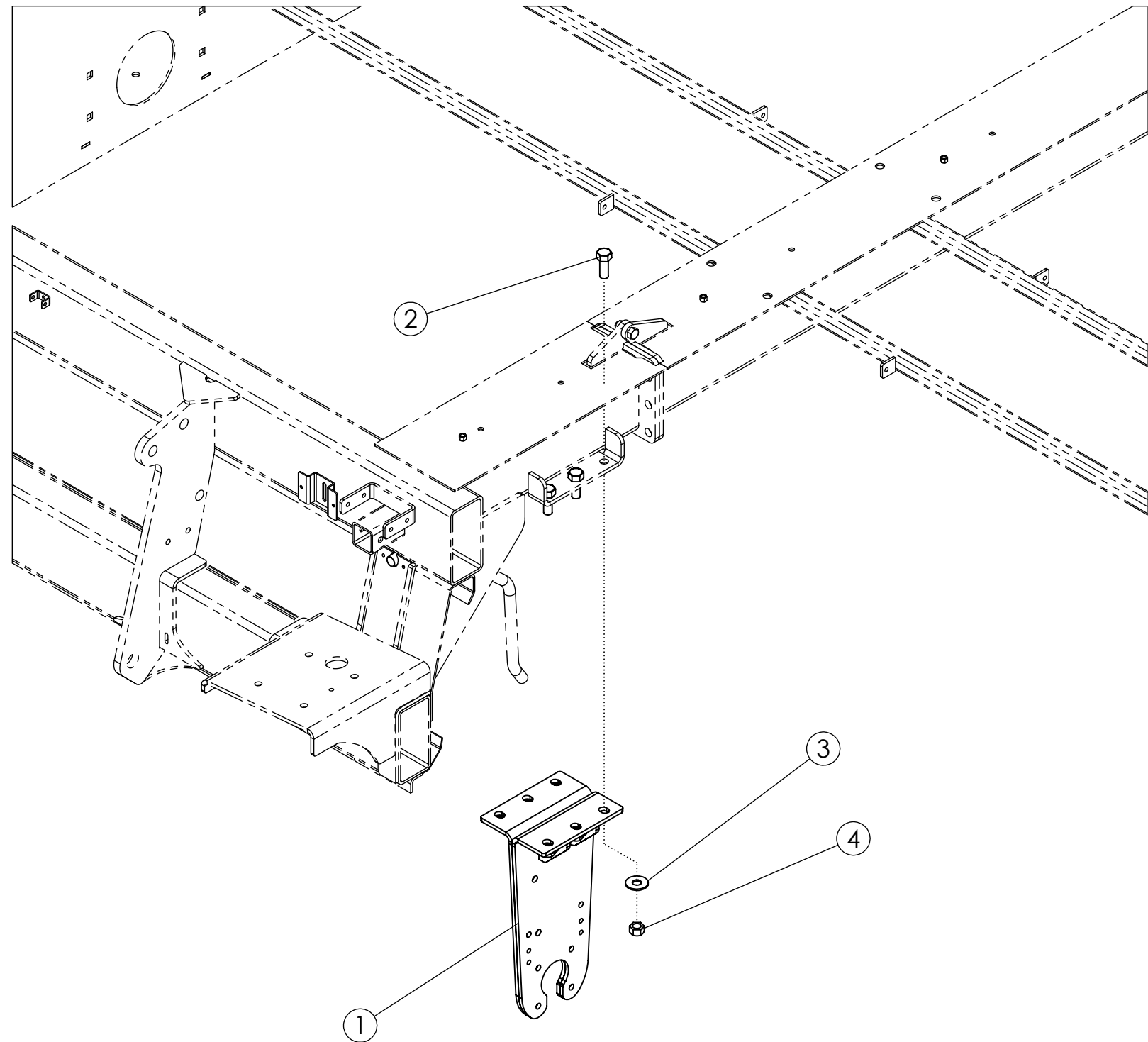
# FRONT DRUM STEEL MOUNT (305307)



# FRONT DRUM STEEL MOUNT (305307)

| ITEM | PART NO. | DESCRIPTION                               | QTY |
|------|----------|---|-----|
| 1    | 52382    | SEAL PROTECTOR 1-3/4"                     | 2   |
| 2    | 306999   | ASSY-BEARING-FLANGE 1-3/4" N-SEAL (STEEL) | 2   |
| 3    | 52383    | LOCK PROTECTOR 1-3/4"                     | 1   |
| 4    | 1011660  | BOLT-CRG: .50 X 1.50 NC GR5 ZP            | 4   |
| 5    | 67146    | BOLT-HEX: .50 X 2.25 NC GR8 ZP            | 4   |
| 6    | 1027461  | NUT-TOPLOCK: .50 NC GR5 ZP                | 4   |
| 7    | 36233    | NUT-TOPLOCK: .50 NC GR8 ZP                | 4   |
| 8    | 307296   | PLATE-DRUM BEARING MOUNT RED              | 1   |
| 9    | 307290   | WLDMT-8.5" ANTI-WRAP NARROW               | 2   |
| 10   | 307293   | WLDMT-8.5" ANTI WRAP WIDE                 | 2   |
| 11   | 72063    | BOLT-CRG: .63 X 1.50 NC GR5 ZP            | 10  |
| 12   | 1016595  | NUT-TOPLOCK: .63 NC GR5 ZP                | 10  |
| 13   | 68068    | GEARBOX-S2125 1:1.93 T                    | 1   |
| 14   | 68449    | BOLT-HEX: M 16 X 2.0 X L30 CL8.8 ZP       | 6   |
| 15   | 1011813  | WASHER-LOCK: .63 ZP                       | 6   |
| 16   | 68413    | COUPLER-DRIVE                             | 2   |
| 17   | 68414    | O-RING-70 BUNA 4.1 X 2.1                  | 2   |
| 18   | 68415    | SNAP RING                                 | 2   |
| 19   | 306388   | RUBBER-FLAIL TUBE SPACER                  | 2   |
| 20   | 52397    | DRIVELINE-SIDE                            | 1   |
| 21   | 68443    | COUPLER-UNIVERSAL JOINT                   | 1   |
| 22   | 305154   | PLATE-SPACER COUPLER 90 DEG.              | 1   |
| 23   | 305192   | BOLT-HEX: .56 X 3.00 NC GR5 ZP            | 4   |
| 24   | 59105    | NUT-TOPLOCK: .56 NC GR8 ZP                | 4   |
| 25   | 68970    | PLATE-GEARBOX SUPPORT                     | 2   |
| 26   | 1013024  | WASHER-FLAT: .63 ZP                       | 4   |
| 27   | 307315   | PLATE-DRUM FAILURE CATCH 2.0              | 1   |
| 28   | 1015174  | BOLT-HEX: .38 X 2.50 NC GR5 ZP            | 2   |
| 29   | 1016999  | NUT-TOPLOCK: .38 NC GR5 ZP                | 2   |

# FRONT DRUM STEEL HANGER ASSEMBLY (305308)

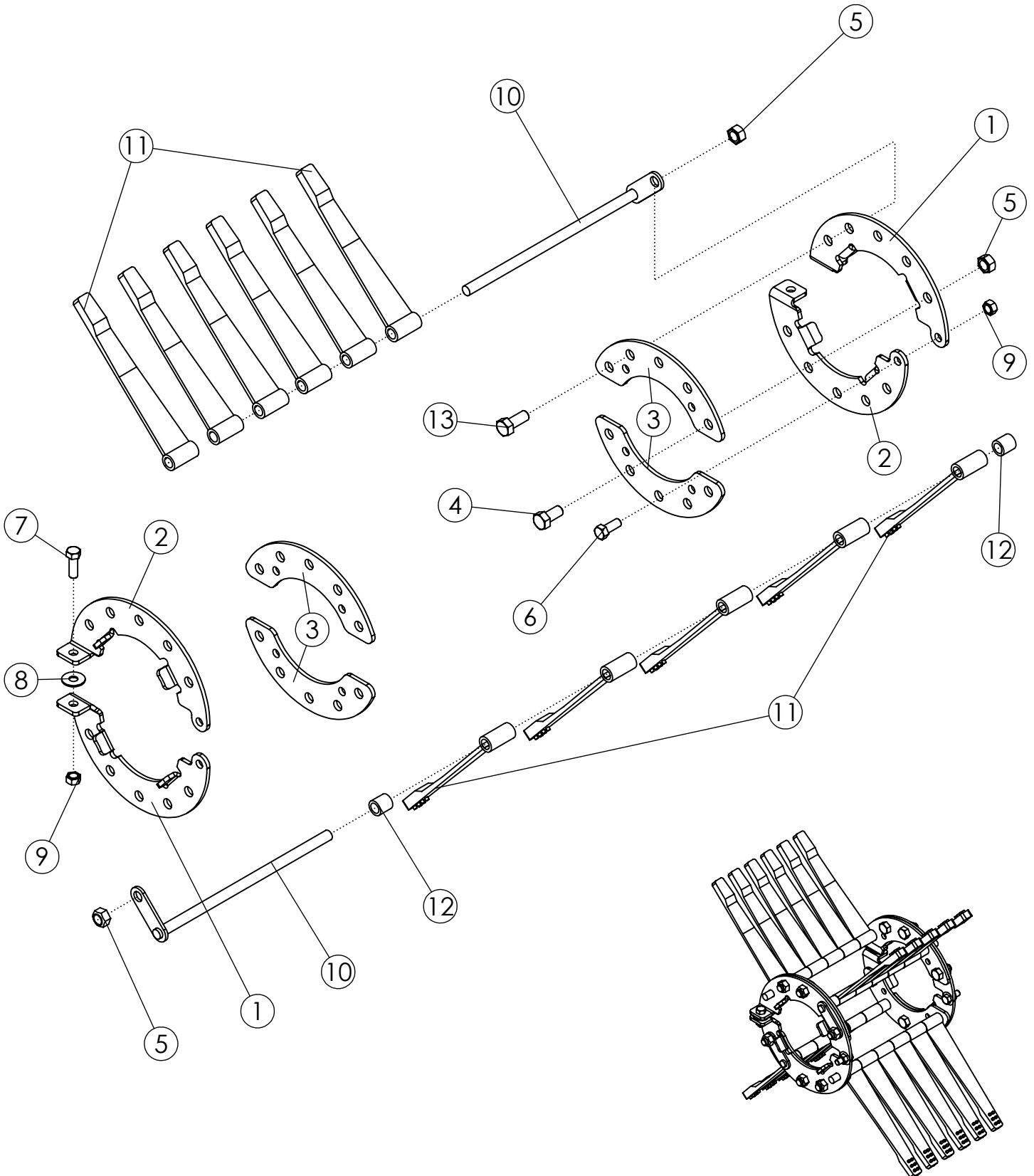


# FRONT DRUM STEEL HANGER ASSEMBLY (305308)

---

| ITEM | PART NO. | DESCRIPTION                    | QTY |
|------|----------|--------------------------------|-----|
| 1    | 68634    | WLDMT-HANGER BOLT-ON           | 1   |
| 2    | 1012060  | BOLT-HEX: .75 X 2.00 NC GR5 ZP | 6   |
| 3    | 1030702  | WASHER-FLAT .75 ZP             | 6   |
| 4    | 1017000  | NUT-TOPLOCK: .75 NC GR5 ZP     | 6   |

# STUDED FLAIL #1 22" (52123)

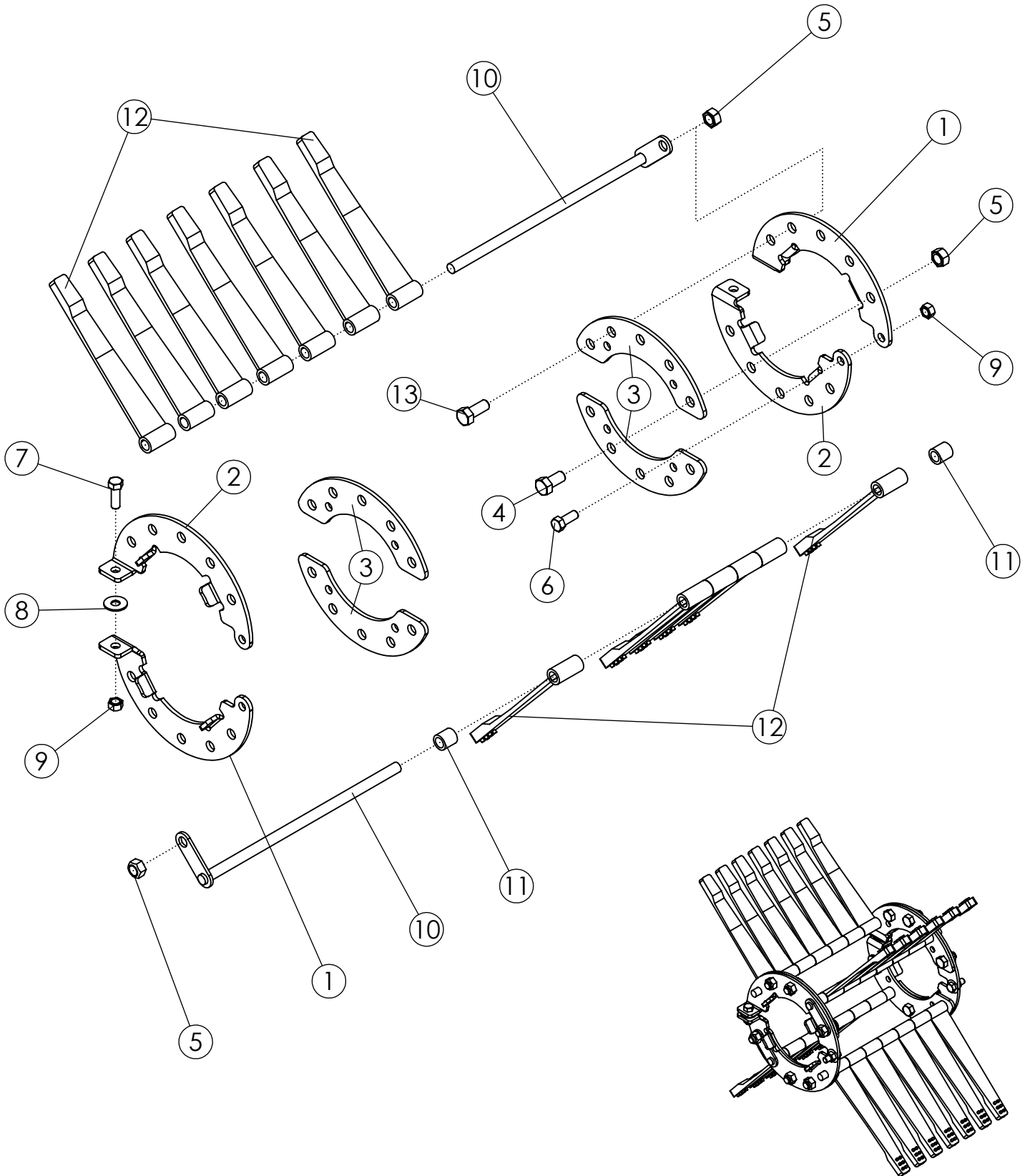


# STUDED FLAIL #1 22" (52123)

---

| ITEM | PART NO. | DESCRIPTION                    | QTY |
|------|----------|--------------------------------|-----|
| 1    | 52062    | FLAIL RING LH - ZP             | 2   |
| 2    | 52061    | FLAIL RING RH - ZP             | 2   |
| 3    | 58084    | PLATE-REINFORCEMENT ZP         | 4   |
| 4    | 1032509  | BOLT-HEX: .63 X 1.25 NC GR5 ZP | 8   |
| 5    | 1016595  | NUT-TOPLOCK: .63 NC GR5 ZP     | 12  |
| 6    | 1011606  | BOLT-HEX: .50 X 1.25 NC GR5 ZP | 2   |
| 7    | 1011607  | BOLT-HEX: .50 X 1.50 NC GR5 ZP | 2   |
| 8    | 1014443  | WASHER-FLAT: .50 ZP            | 2   |
| 9    | 1027461  | NUT-TOPLOCK: .50 NC GR5 ZP     | 4   |
| 10   | 305557   | WLDMT-6 FLAIL ROD 13.875" ZP   | 4   |
| 11   | 52356    | FLAIL-STUDED 1 X 12            | 22  |
| 12   | 51549    | SPACER-1"                      | 4   |
| 13   | 1014349  | BOLT-HEX: .63 X 1.50 NC GR5 ZP | 4   |

# STUDED FLAIL #1 30" (52126)

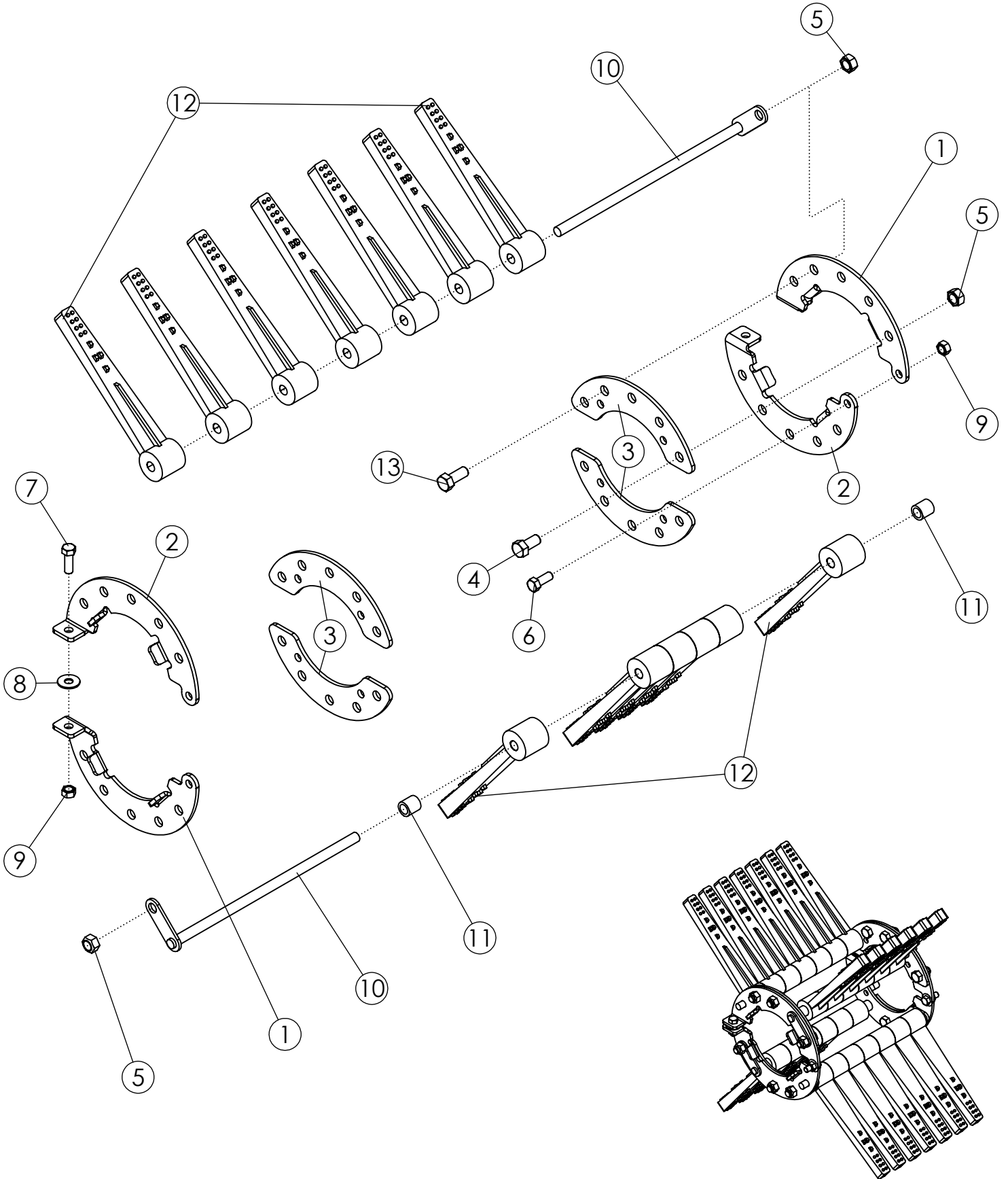


# STUDED FLAIL #1 30" (52126)

---

| ITEM | PART NO. | DESCRIPTION                    | QTY |
|------|----------|--------------------------------|-----|
| 1    | 52062    | FLAIL RING LH - ZP             | 2   |
| 2    | 52061    | FLAIL RING RH - ZP             | 2   |
| 3    | 58084    | PLATE-REINFORCEMENT ZP         | 4   |
| 4    | 1032509  | BOLT-HEX: .63 X 1.25 NC GR5 ZP | 8   |
| 5    | 1016595  | NUT-TOPLOCK: .63 NC GR5 ZP     | 12  |
| 6    | 1011606  | BOLT-HEX: .50 X 1.25 NC GR5 ZP | 2   |
| 7    | 1011607  | BOLT-HEX: .50 X 1.50 NC GR5 ZP | 2   |
| 8    | 1014443  | WASHER-FLAT: .50 ZP            | 2   |
| 9    | 1027461  | NUT-TOPLOCK: .50 NC GR5 ZP     | 4   |
| 10   | 305556   | WLDMT-6 FLAIL ROD 15.75" ZP    | 4   |
| 11   | 51549    | SPACER-1"                      | 4   |
| 12   | 52356    | FLAIL-STUDED 1 X 12            | 26  |
| 13   | 1014349  | BOLT-HEX: .63 X 1.50 NC GR5 ZP | 4   |

# TAPERED FLAIL #1 30" (64327)

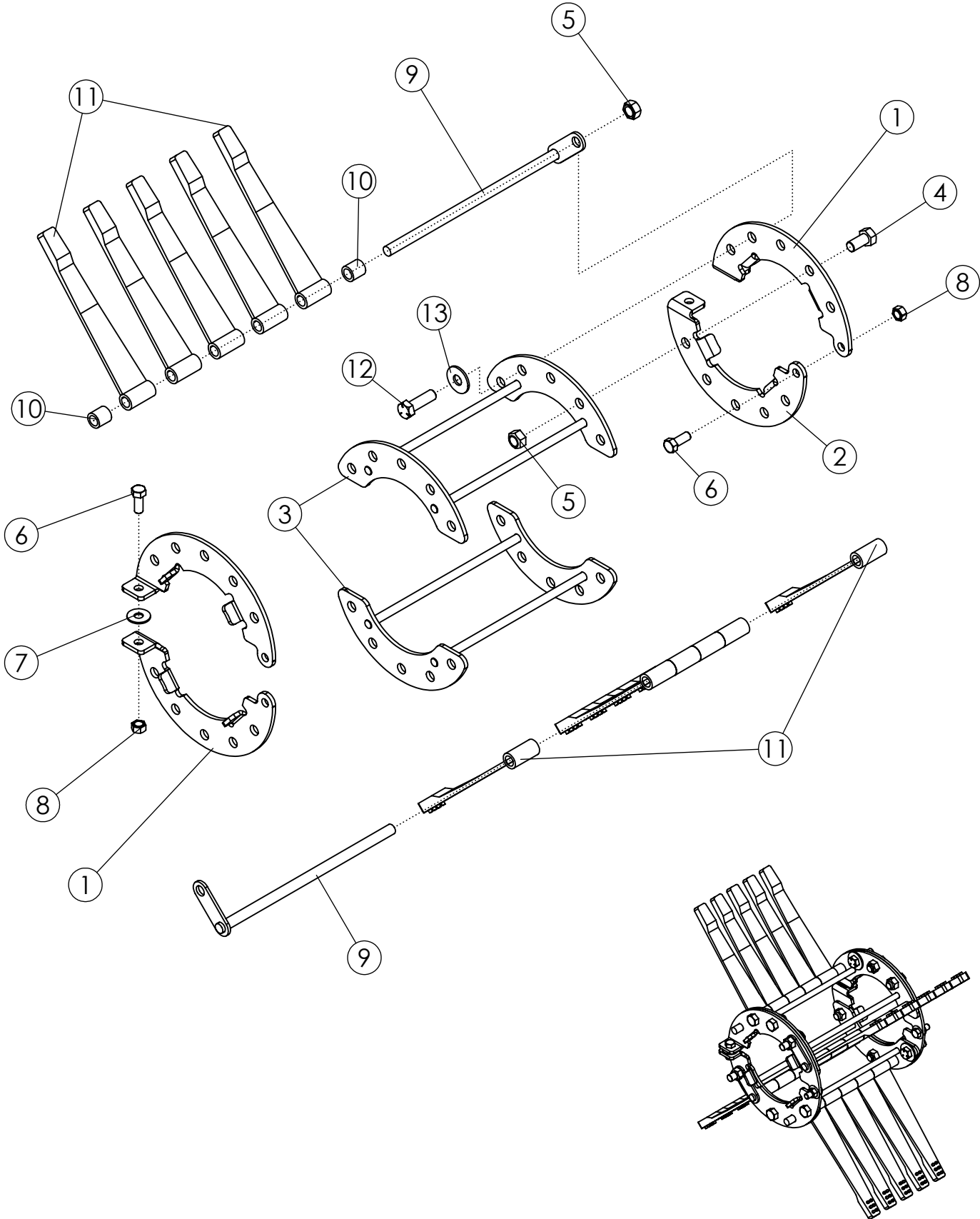


# TAPERED FLAIL #1 30" (64327)

---

| ITEM | PART NO. | DESCRIPTION                    | QTY |
|------|----------|--------------------------------|-----|
| 1    | 52062    | FLAIL RING LH - ZP             | 2   |
| 2    | 52061    | FLAIL RING RH - ZP             | 2   |
| 3    | 58084    | PLATE-REINFORCEMENT ZP         | 4   |
| 4    | 1032509  | BOLT-HEX: .63 X 1.25 NC GR5 ZP | 8   |
| 5    | 1016595  | NUT-TOPLOCK: .63 NC GR5 ZP     | 12  |
| 6    | 1011606  | BOLT-HEX: .50 X 1.25 NC GR5 ZP | 2   |
| 7    | 1011607  | BOLT-HEX: .50 X 1.50 NC GR5 ZP | 2   |
| 8    | 1014443  | WASHER-FLAT: .50 ZP            | 2   |
| 9    | 1027461  | NUT-TOPLOCK: .50 NC GR5 ZP     | 4   |
| 10   | 305556   | WLDMT-6 FLAIL ROD 15.75" ZP    | 4   |
| 11   | 51549    | SPACER-1"                      | 4   |
| 12   | 307259   | FLAIL-RUBBER 1 X 12 TAPERED    | 26  |
| 13   | 1014349  | BOLT-HEX: .63 X 1.50 NC GR5 ZP | 4   |

# STUDED FLAIL #1 22" REVERSE (58542)

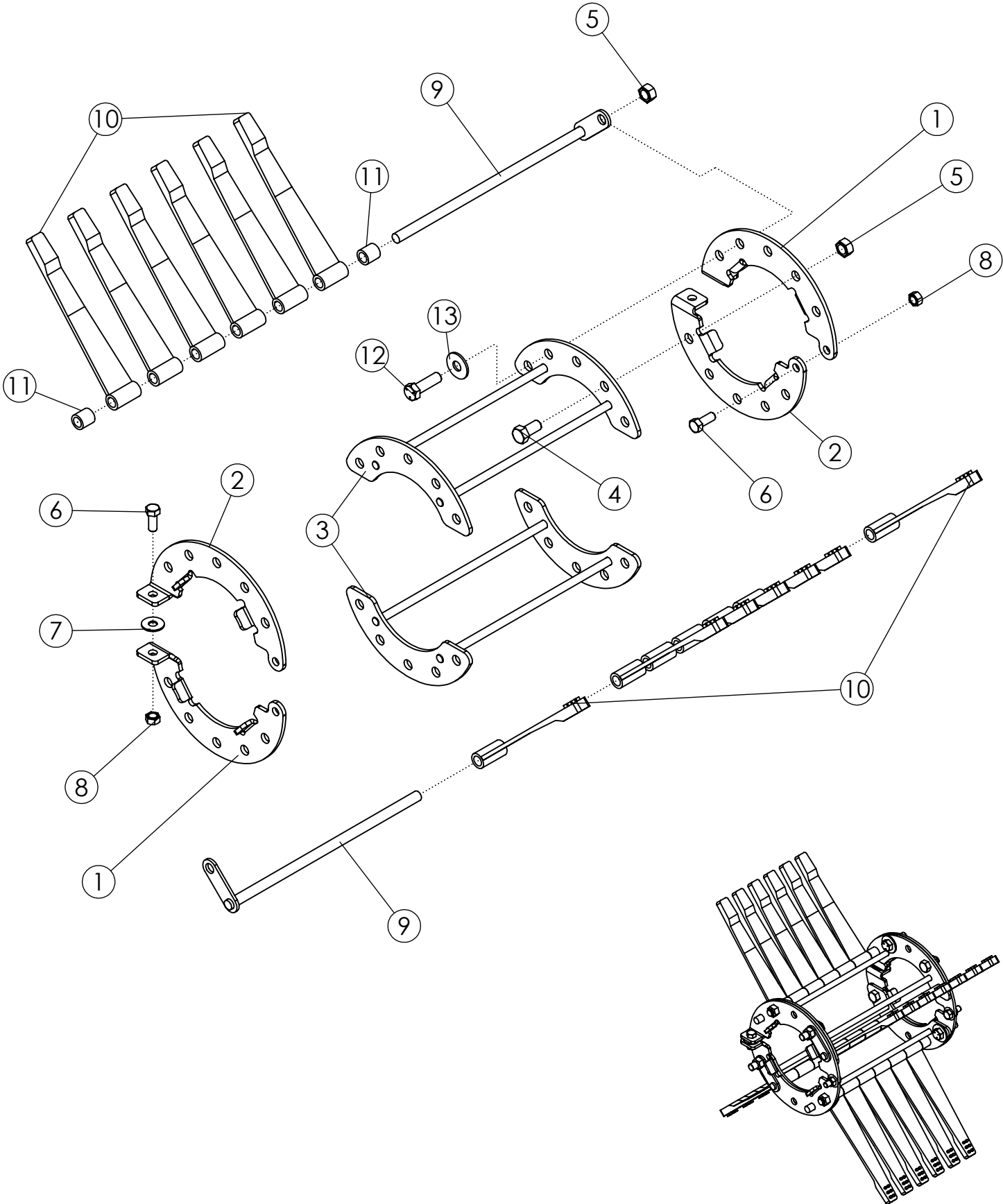


# STUDED FLAIL #1 22" REVERSE (58542)

---

| ITEM | PART NO. | DESCRIPTION                    | QTY |
|------|----------|--------------------------------|-----|
| 1    | 52062    | FLAIL RING LH - ZP             | 2   |
| 2    | 52061    | FLAIL RING RH - ZP             | 2   |
| 3    | 58167    | WLDMT-FRONT BAIL               | 2   |
| 4    | 1032509  | BOLT-HEX: .63 X 1.25 NC GR5 ZP | 8   |
| 5    | 1016595  | NUT-TOPLOCK: .63 NC GR5 ZP     | 12  |
| 6    | 1011606  | BOLT-HEX: .50 X 1.25 NC GR5 ZP | 4   |
| 7    | 1014443  | WASHER-FLAT: .50 ZP            | 2   |
| 8    | 1027461  | NUT-TOPLOCK: .50 NC GR5 ZP     | 4   |
| 9    | 305557   | WLDMT-6 FLAIL ROD 13.875" ZP   | 4   |
| 10   | 51549    | SPACER-1"                      | 4   |
| 11   | 52356    | FLAIL-STUDED 1 X 12            | 22  |
| 12   | 1011623  | BOLT-HEX: .63 X 2.00 NC GR5 ZP | 4   |
| 13   | 1013024  | WASHER-FLAT: .63 ZP            | 4   |

# STUDED FLAIL #1 30" REVERSE (58543)

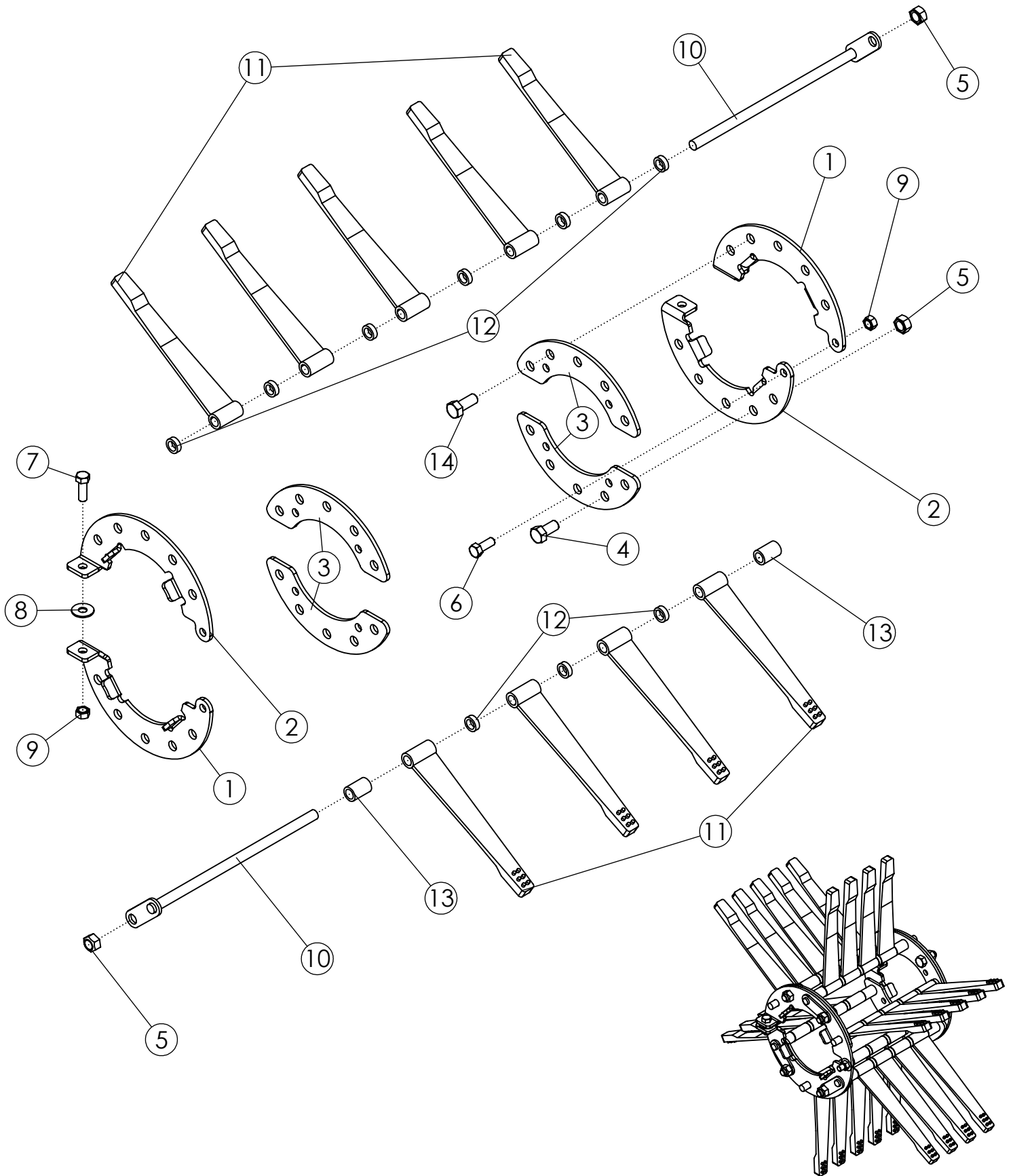


# STUDED FLAIL #1 30" REVERSE (58543)

---

| ITEM | PART NO. | DESCRIPTION                    | QTY |
|------|----------|--------------------------------|-----|
| 1    | 52062    | FLAIL RING LH - ZP             | 2   |
| 2    | 52061    | FLAIL RING RH - ZP             | 2   |
| 3    | 62254    | WLDMT-FRONT BAIL               | 2   |
| 4    | 1032509  | BOLT-HEX: .63 X 1.25 NC GR5 ZP | 4   |
| 5    | 1016595  | NUT-TOPLOCK: .63 NC GR5 ZP     | 8   |
| 6    | 1011606  | BOLT-HEX: .50 X 1.25 NC GR5 ZP | 4   |
| 7    | 1014443  | WASHER-FLAT: .50 ZP            | 2   |
| 8    | 1027461  | NUT-TOPLOCK: .50 NC GR5 ZP     | 4   |
| 9    | 305556   | WLDMT-6 FLAIL ROD 15.75" ZP    | 4   |
| 10   | 52356    | FLAIL-STUDED 1 X 12            | 26  |
| 11   | 51549    | SPACER-1"                      | 4   |
| 12   | 1011623  | BOLT-HEX: .63 X 2.00 NC GR5 ZP | 4   |
| 13   | 1013024  | WASHER-FLAT: .63 ZP            | 4   |

# STUDED FLAIL #2 22" (52124)

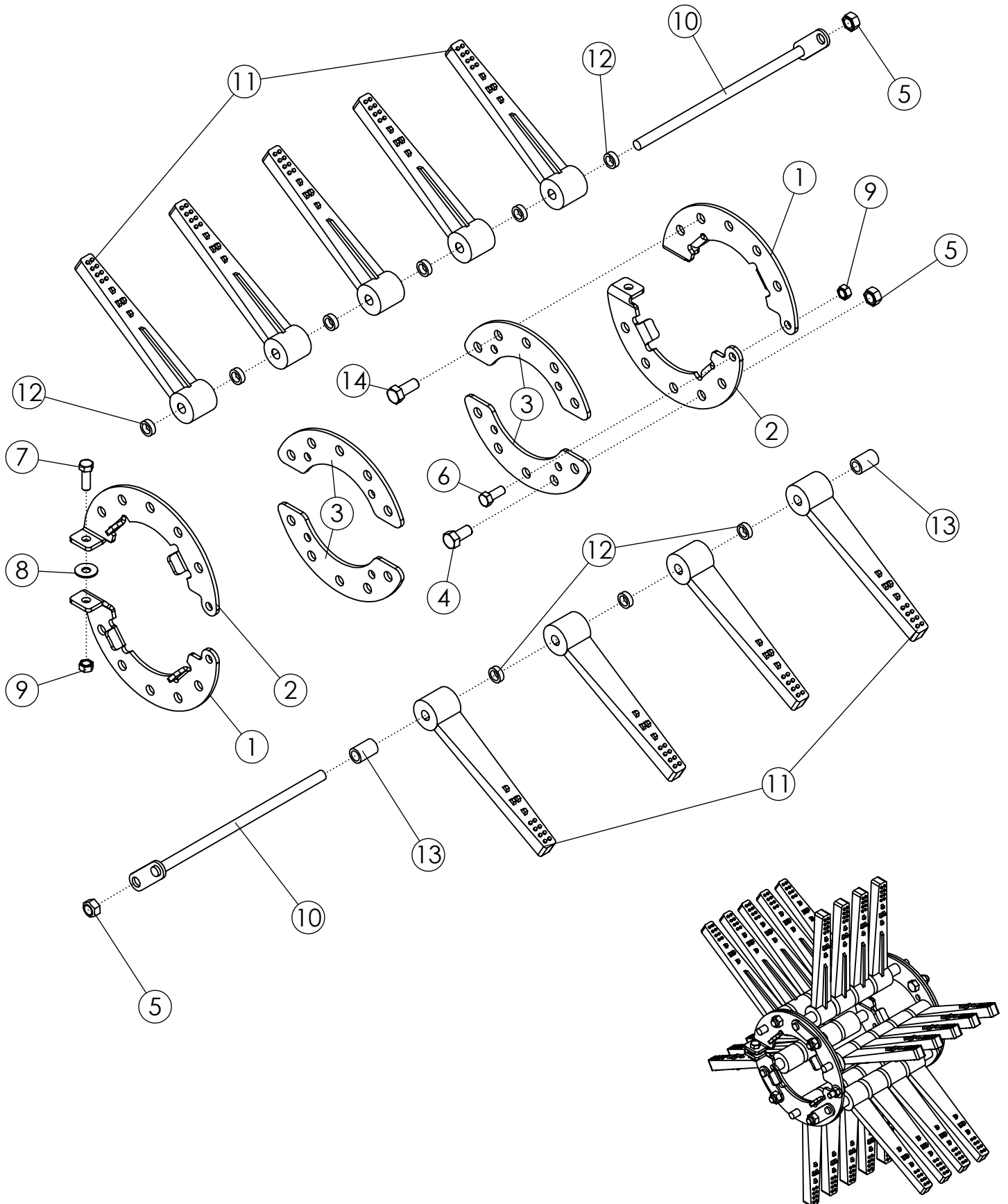


## STUDED FLAIL #2 22" (52124)

---

| ITEM | PART NO. | DESCRIPTION                    | QTY |
|------|----------|--------------------------------|-----|
| 1    | 52062    | FLAIL RING LH - ZP             | 2   |
| 2    | 52061    | FLAIL RING RH - ZP             | 2   |
| 3    | 58084    | PLATE-REINFORCEMENT ZP         | 4   |
| 4    | 1032509  | BOLT-HEX: .63 X 1.25 NC GR5 ZP | 2   |
| 5    | 1016595  | NUT-TOPLOCK: .63 NC GR5 ZP     | 8   |
| 6    | 1011606  | BOLT-HEX: .50 X 1.25 NC GR5 ZP | 2   |
| 7    | 1011607  | BOLT-HEX: .50 X 1.50 NC GR5 ZP | 2   |
| 8    | 1014443  | WASHER-FLAT: .50 ZP            | 2   |
| 9    | 1027461  | NUT-TOPLOCK: .50 NC GR5 ZP     | 4   |
| 10   | 305557   | WLDMT-6 FLAIL ROD 13.875" ZP   | 6   |
| 11   | 52356    | FLAIL-STUDED 1 X 12            | 27  |
| 12   | 51547    | SPACER-5/16"                   | 27  |
| 13   | 51548    | SPACER 1-7/16"                 | 6   |
| 14   | 1014349  | BOLT-HEX: .63 X 1.50 NC GR5 ZP | 6   |

# TAPERED FLAIL #2 22" (64046)

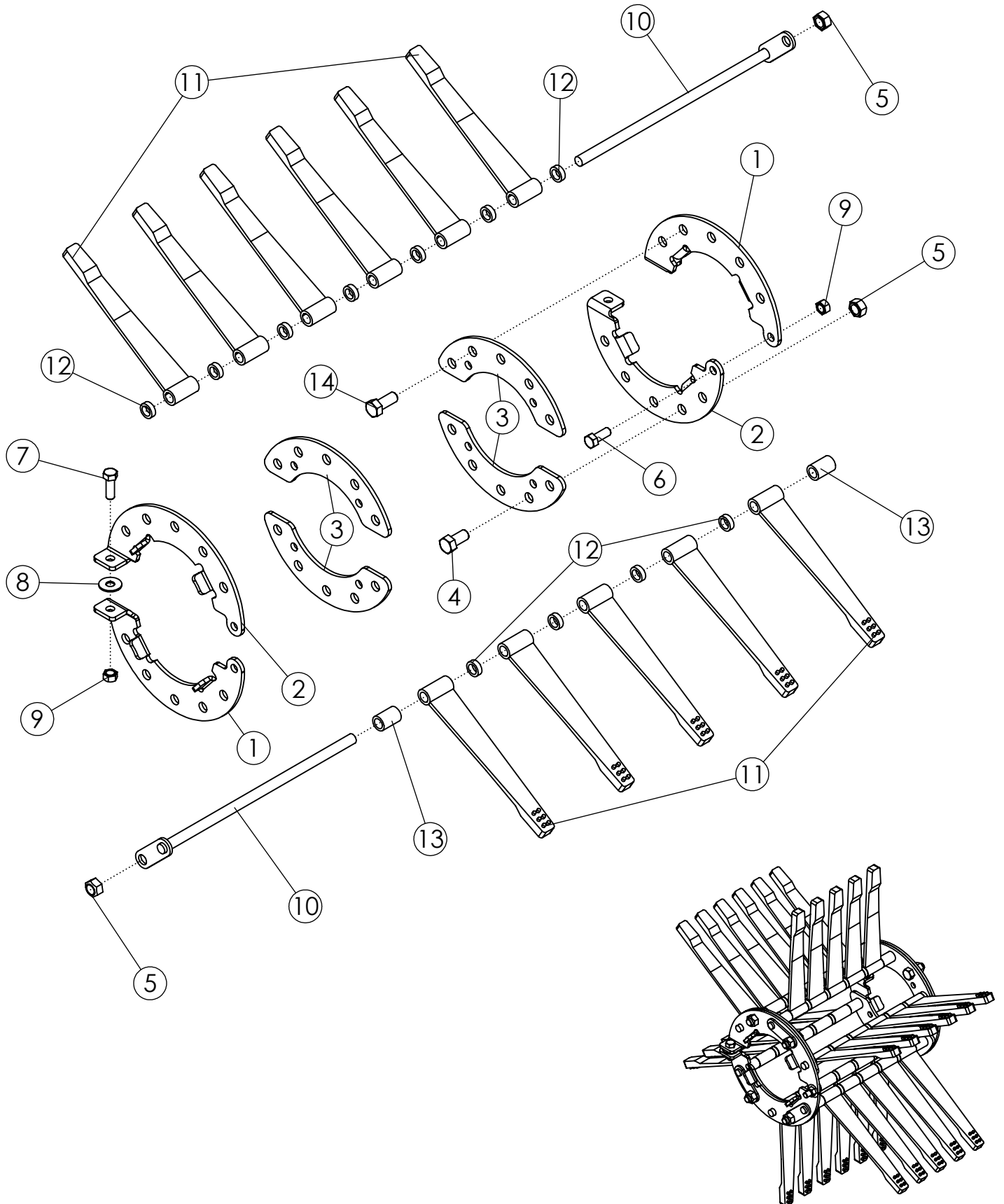


## TAPERED FLAIL #2 22" (64046)

---

| ITEM | PART NO. | DESCRIPTION                    | QTY |
|------|----------|--------------------------------|-----|
| 1    | 52062    | FLAIL RING LH - ZP             | 2   |
| 2    | 52061    | FLAIL RING RH - ZP             | 2   |
| 3    | 58084    | PLATE-REINFORCEMENT ZP         | 4   |
| 4    | 1032509  | BOLT-HEX: .63 X 1.25 NC GR5 ZP | 2   |
| 5    | 1016595  | NUT-TOPLOCK: .63 NC GR5 ZP     | 8   |
| 6    | 1011606  | BOLT-HEX: .50 X 1.25 NC GR5 ZP | 2   |
| 7    | 1011607  | BOLT-HEX: .50 X 1.50 NC GR5 ZP | 2   |
| 8    | 1014443  | WASHER-FLAT: .50 ZP            | 2   |
| 9    | 1027461  | NUT-TOPLOCK: .50 NC GR5 ZP     | 4   |
| 10   | 305557   | WLDMT-6 FLAIL ROD 13.875" ZP   | 6   |
| 11   | 307259   | FLAIL-RUBBER 1 X 12 TAPERED    | 27  |
| 12   | 51547    | SPACER-5/16"                   | 27  |
| 13   | 51548    | SPACER 1-7/16"                 | 6   |
| 14   | 1014349  | BOLT-HEX: .63 X 1.50 NC GR5 ZP | 6   |

# STUDED FLAIL #2 30" (52127)



## STUDED FLAIL #2 30" (52127)

---

| ITEM | PART NO. | DESCRIPTION                    | QTY |
|------|----------|--------------------------------|-----|
| 1    | 52062    | FLAIL RING LH - ZP             | 2   |
| 2    | 52061    | FLAIL RING RH - ZP             | 2   |
| 3    | 58084    | PLATE-REINFORCEMENT ZP         | 4   |
| 4    | 1032509  | BOLT-HEX: .63 X 1.25 NC GR5 ZP | 2   |
| 5    | 1016595  | NUT-TOPLOCK: .63 NC GR5 ZP     | 8   |
| 6    | 1011606  | BOLT-HEX: .50 X 1.25 NC GR5 ZP | 2   |
| 7    | 1011607  | BOLT-HEX: .50 X 1.50 NC GR5 ZP | 2   |
| 8    | 1014443  | WASHER-FLAT: .50 ZP            | 2   |
| 9    | 1027461  | NUT-TOPLOCK: .50 NC GR5 ZP     | 4   |
| 10   | 305556   | WLDMT-6 FLAIL ROD 15.75" ZP    | 6   |
| 11   | 52356    | FLAIL-STUDED 1 X 12            | 33  |
| 12   | 51547    | SPACER-5/16"                   | 33  |
| 13   | 51548    | SPACER 1-7/16"                 | 6   |
| 14   | 1014349  | BOLT-HEX: .63 X 1.50 NC GR5 ZP | 6   |

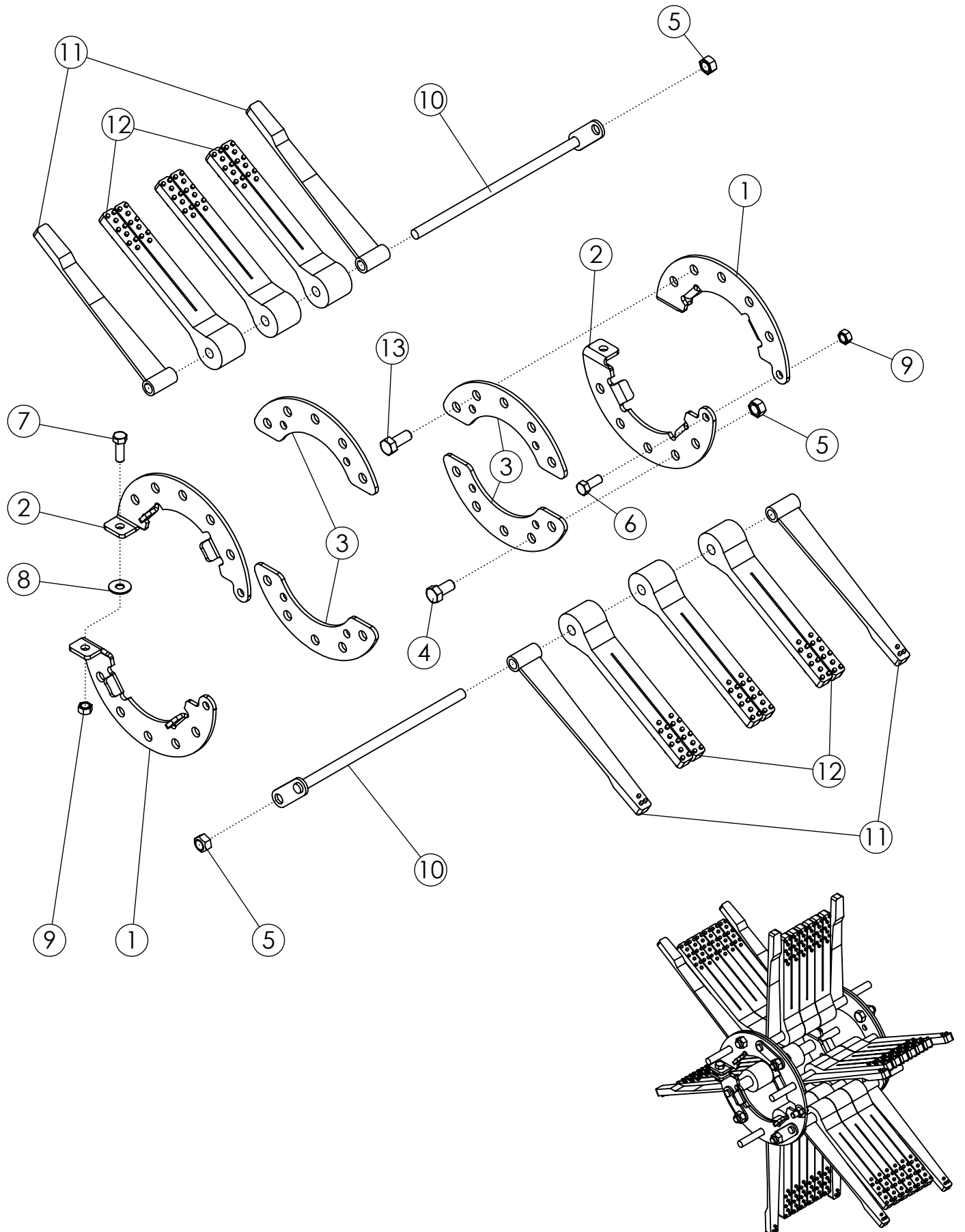


## TAPERED FLAIL #2 30" (64328)

---

| ITEM | PART NO. | DESCRIPTION                    | QTY |
|------|----------|--------------------------------|-----|
| 1    | 52062    | FLAIL RING LH - ZP             | 2   |
| 2    | 52061    | FLAIL RING RH - ZP             | 2   |
| 3    | 58084    | PLATE-REINFORCEMENT ZP         | 4   |
| 4    | 1032509  | BOLT-HEX: .63 X 1.25 NC GR5 ZP | 2   |
| 5    | 1016595  | NUT-TOPLOCK: .63 NC GR5 ZP     | 8   |
| 6    | 1011606  | BOLT-HEX: .50 X 1.25 NC GR5 ZP | 2   |
| 7    | 1011607  | BOLT-HEX: .50 X 1.50 NC GR5 ZP | 1   |
| 8    | 1014443  | WASHER-FLAT: .50 ZP            | 1   |
| 9    | 1027461  | NUT-TOPLOCK: .50 NC GR5 ZP     | 3   |
| 10   | 305556   | WLDMT-6 FLAIL ROD 15.75" ZP    | 6   |
| 11   | 307259   | FLAIL-RUBBER 1 X 12 TAPERED    | 33  |
| 12   | 51547    | SPACER-5/16"                   | 33  |
| 13   | 51548    | SPACER 1-7/16"                 | 6   |
| 14   | 1014349  | BOLT-HEX: .63 X 1.50 NC GR5 ZP | 6   |

# SWEEP/SPLIT FLAIL #3 22" (52125)

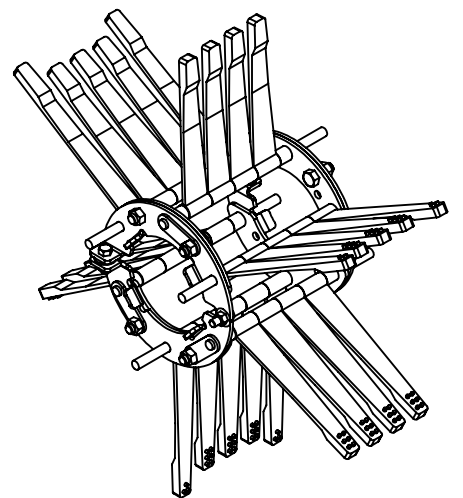
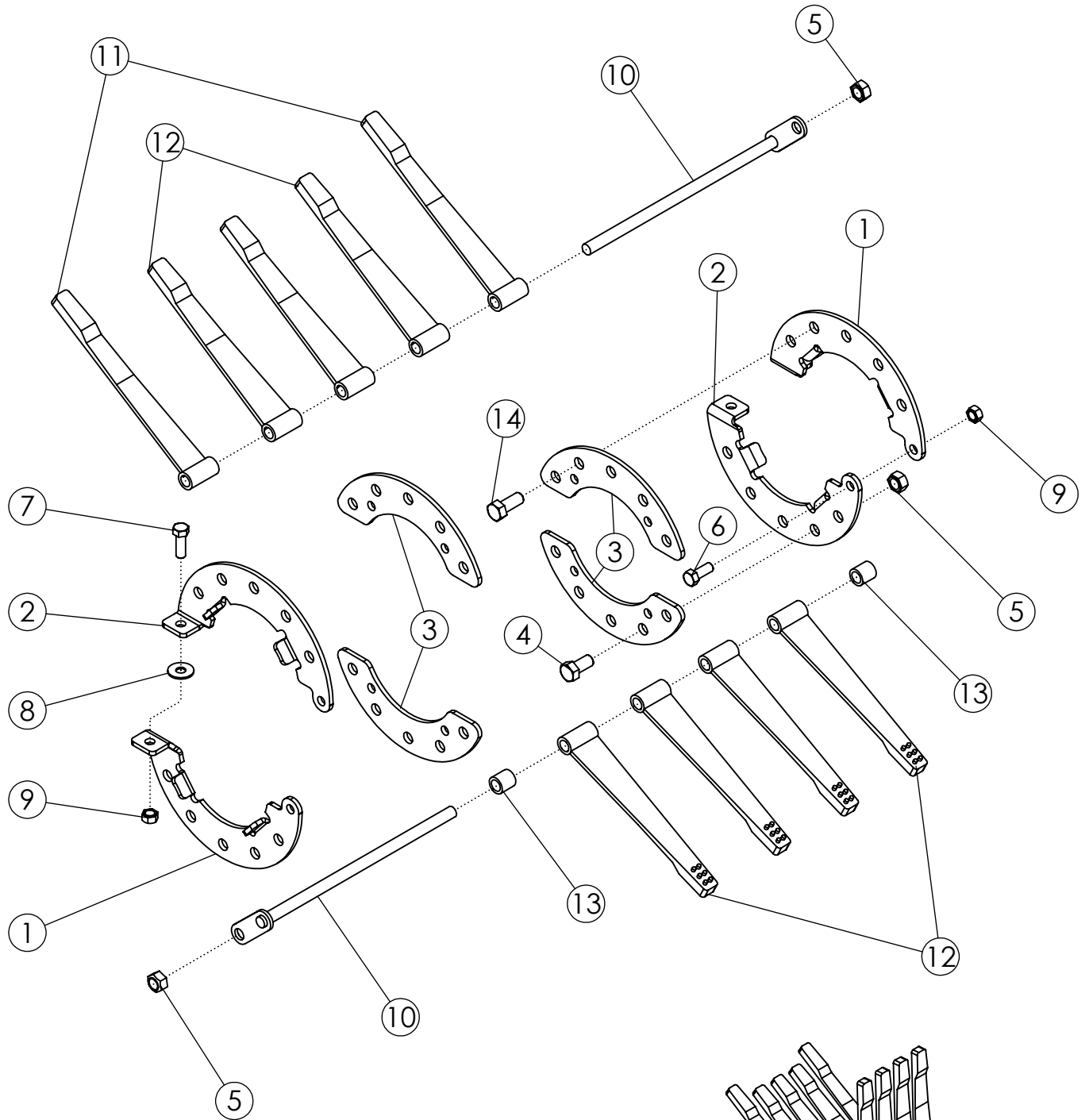


## SWEEP/SPLIT FLAIL #3 22" (52125)

---

| ITEM | PART NO. | DESCRIPTION                    | QTY |
|------|----------|--------------------------------|-----|
| 1    | 52062    | FLAIL RING LH - ZP             | 2   |
| 2    | 52061    | FLAIL RING RH - ZP             | 2   |
| 3    | 58084    | PLATE-REINFORCEMENT ZP         | 4   |
| 4    | 1032509  | BOLT-HEX: .63 X 1.25 NC GR5 ZP | 2   |
| 5    | 1016595  | NUT-TOPLOCK: .63 NC GR5 ZP     | 8   |
| 6    | 1011606  | BOLT-HEX: .50 X 1.25 NC GR5 ZP | 2   |
| 7    | 1011607  | BOLT-HEX: .50 X 1.50 NC GR5 ZP | 2   |
| 8    | 1014443  | WASHER-FLAT: .50 ZP            | 2   |
| 9    | 1027461  | NUT-TOPLOCK: .50 NC GR5 ZP     | 4   |
| 10   | 305557   | WLDMT-6 FLAIL ROD 13.875" ZP   | 6   |
| 11   | 52355    | FLAIL-SWEEP 1 X 13.25          | 12  |
| 12   | 58255    | FLAIL-SPLIT TAPER 2 X 12       | 18  |
| 13   | 1014349  | BOLT-HEX: .63 X 1.50 NC GR5 ZP | 6   |

# SWEEP/STUDED FLAIL #3 22" (64319)

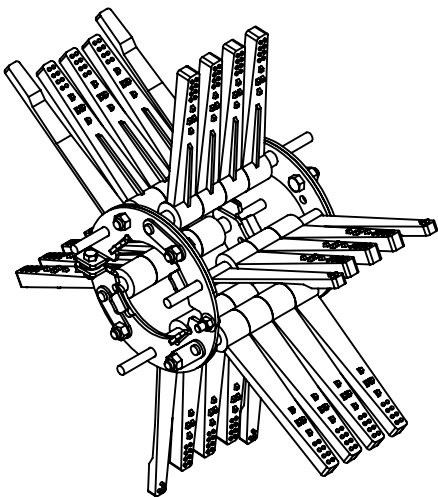
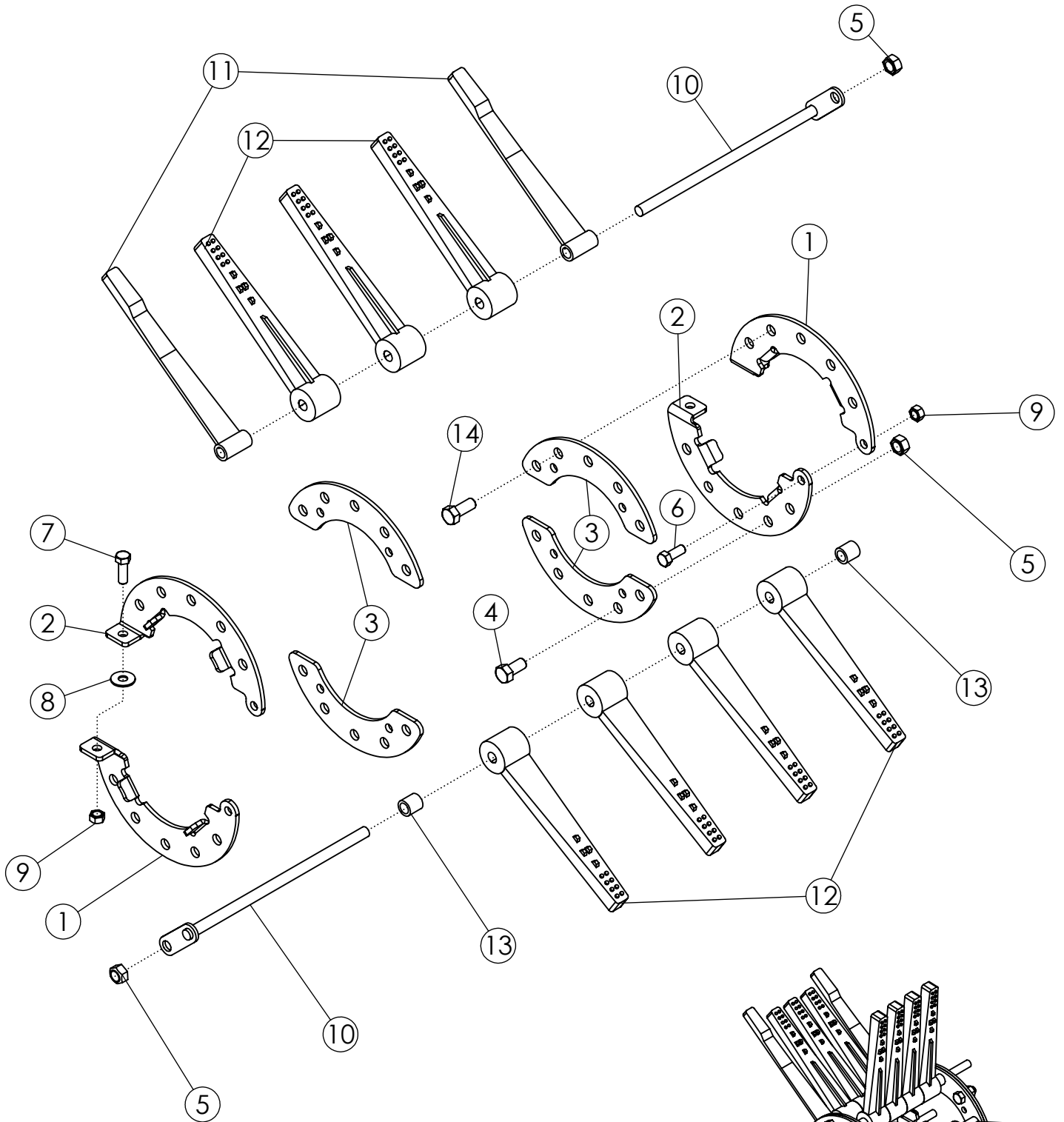


## SWEEP/STUDED FLAIL #3 22" (64319)

---

| ITEM | PART NO. | DESCRIPTION                    | QTY |
|------|----------|--------------------------------|-----|
| 1    | 52062    | FLAIL RING LH - ZP             | 2   |
| 2    | 52061    | FLAIL RING RH - ZP             | 2   |
| 3    | 58084    | PLATE-REINFORCEMENT ZP         | 4   |
| 4    | 1032509  | BOLT-HEX: .63 X 1.25 NC GR5 ZP | 2   |
| 5    | 1016595  | NUT-TOPLOCK: .63 NC GR5 ZP     | 8   |
| 6    | 1011606  | BOLT-HEX: .50 X 1.25 NC GR5 ZP | 2   |
| 7    | 1011607  | BOLT-HEX: .50 X 1.50 NC GR5 ZP | 2   |
| 8    | 1014443  | WASHER-FLAT: .50 ZP            | 2   |
| 9    | 1027461  | NUT-TOPLOCK: .50 NC GR5 ZP     | 4   |
| 10   | 305557   | WLDMT-6 FLAIL ROD 13.875" ZP   | 6   |
| 11   | 52355    | FLAIL-SWEEP 1 X 13.25          | 6   |
| 12   | 52356    | FLAIL-STUDED 1 X 12            | 21  |
| 13   | 51549    | SPACER-1"                      | 6   |
| 14   | 1014349  | BOLT-HEX: .63 X 1.50 NC GR5 ZP | 6   |

# SWEEP/TAPERED FLAIL #3 22" (68920)

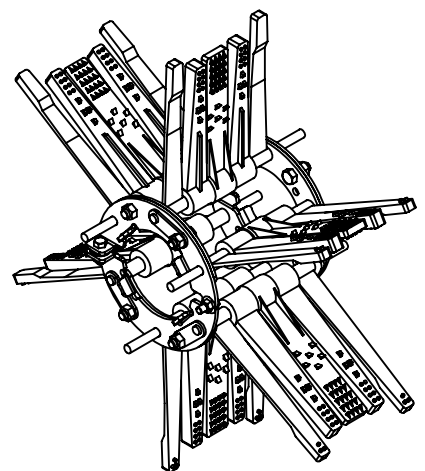
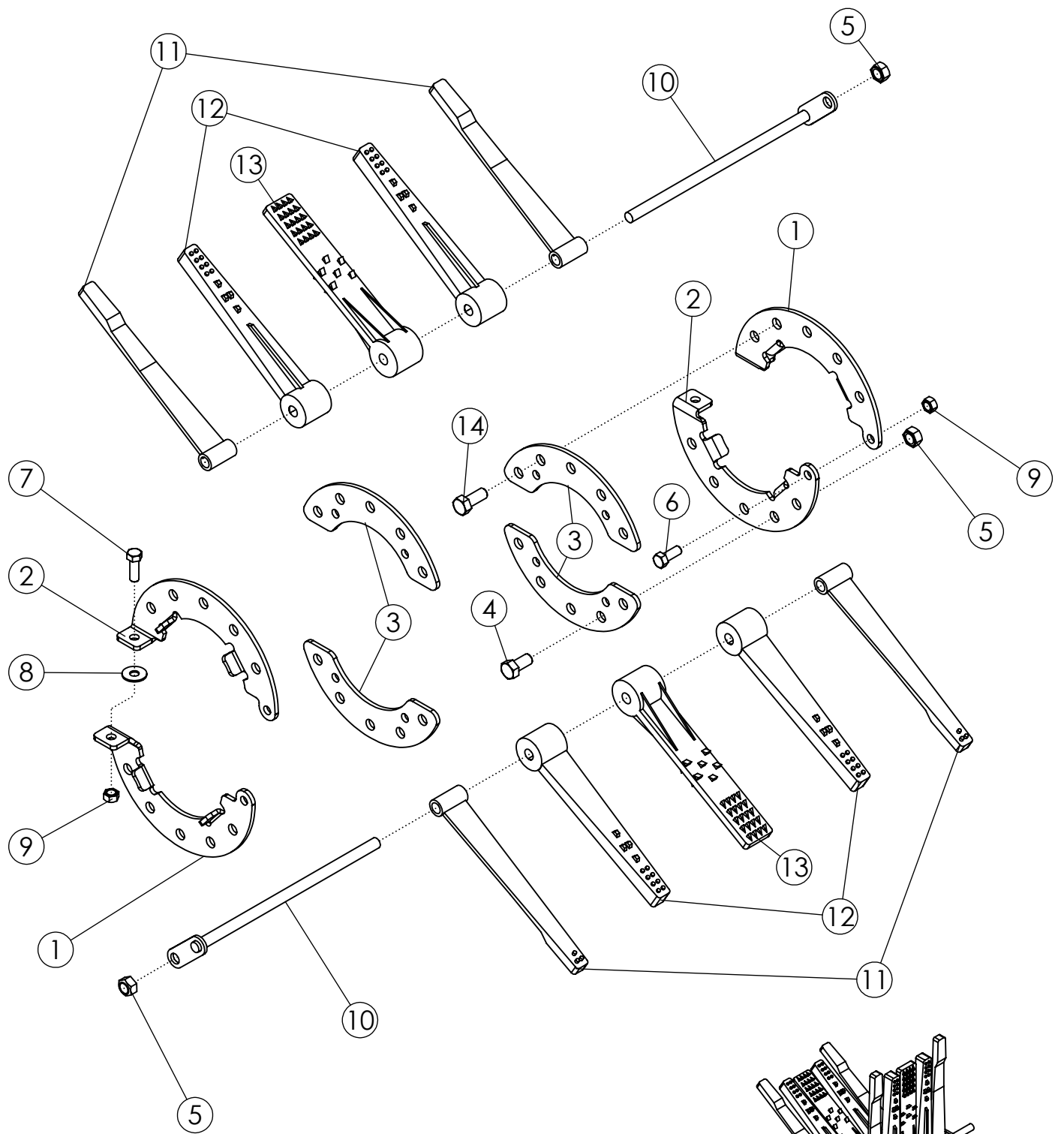


## SWEEP/TAPERED FLAIL #3 22" (68920)

---

| ITEM | PART NO. | DESCRIPTION                    | QTY |
|------|----------|--------------------------------|-----|
| 1    | 52062    | FLAIL RING LH - ZP             | 2   |
| 2    | 52061    | FLAIL RING RH - ZP             | 2   |
| 3    | 58084    | PLATE-REINFORCEMENT ZP         | 4   |
| 4    | 1032509  | BOLT-HEX: .63 X 1.25 NC GR5 ZP | 2   |
| 5    | 1016595  | NUT-TOPLOCK: .63 NC GR5 ZP     | 8   |
| 6    | 1011606  | BOLT-HEX: .50 X 1.25 NC GR5 ZP | 2   |
| 7    | 1011607  | BOLT-HEX: .50 X 1.50 NC GR5 ZP | 2   |
| 8    | 1014443  | WASHER-FLAT: .50 ZP            | 2   |
| 9    | 1027461  | NUT-TOPLOCK: .50 NC GR5 ZP     | 4   |
| 10   | 305557   | WLDMT-6 FLAIL ROD 13.875" ZP   | 6   |
| 11   | 52355    | FLAIL-SWEEP 1 X 13.25          | 6   |
| 12   | 307259   | FLAIL-RUBBER 1 X 12 TAPERED    | 21  |
| 13   | 51549    | SPACER-1"                      | 6   |
| 14   | 1014349  | BOLT-HEX: .63 X 1.50 NC GR5 ZP | 6   |

# SWEEP/TAPERED/2" FLAIL #3 22" (69413)

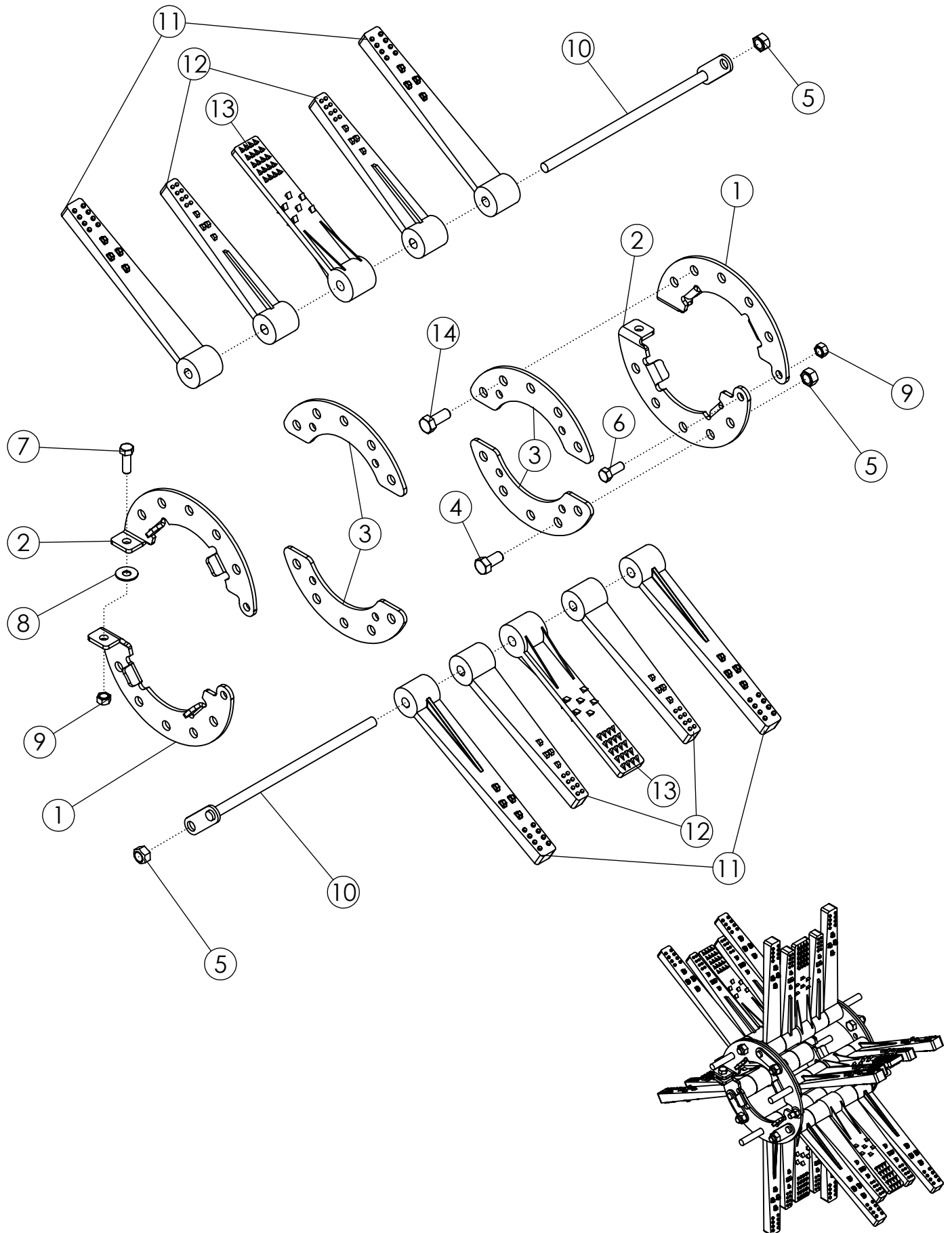


## SWEEP/TAPERED/2" FLAIL #3 22" (69413)

---

| ITEM | PART NO. | DESCRIPTION                    | QTY |
|------|----------|--------------------------------|-----|
| 1    | 52062    | FLAIL RING LH - ZP             | 2   |
| 2    | 52061    | FLAIL RING RH - ZP             | 2   |
| 3    | 58084    | PLATE-REINFORCEMENT ZP         | 4   |
| 4    | 1032509  | BOLT-HEX: .63 X 1.25 NC GR5 ZP | 2   |
| 5    | 1016595  | NUT-TOPLOCK: .63 NC GR5 ZP     | 8   |
| 6    | 1011606  | BOLT-HEX: .50 X 1.25 NC GR5 ZP | 2   |
| 7    | 1011607  | BOLT-HEX: .50 X 1.50 NC GR5 ZP | 2   |
| 8    | 1014443  | WASHER-FLAT: .50 ZP            | 2   |
| 9    | 1027461  | NUT-TOPLOCK: .50 NC GR5 ZP     | 4   |
| 10   | 305557   | WLDMT-6 FLAIL ROD 13.875" ZP   | 6   |
| 11   | 52355    | FLAIL-SWEEP 1 X 13.25          | 12  |
| 12   | 307259   | FLAIL-RUBBER 1 X 12 TAPERED    | 12  |
| 13   | 307261   | FLAIL-RUBBER 2 X 12            | 6   |
| 14   | 1014349  | BOLT-HEX: .63 X 1.50 NC GR5 ZP | 6   |

# LONG SWEEP/TAPERED/2" FLAIL #3 22" (69555)

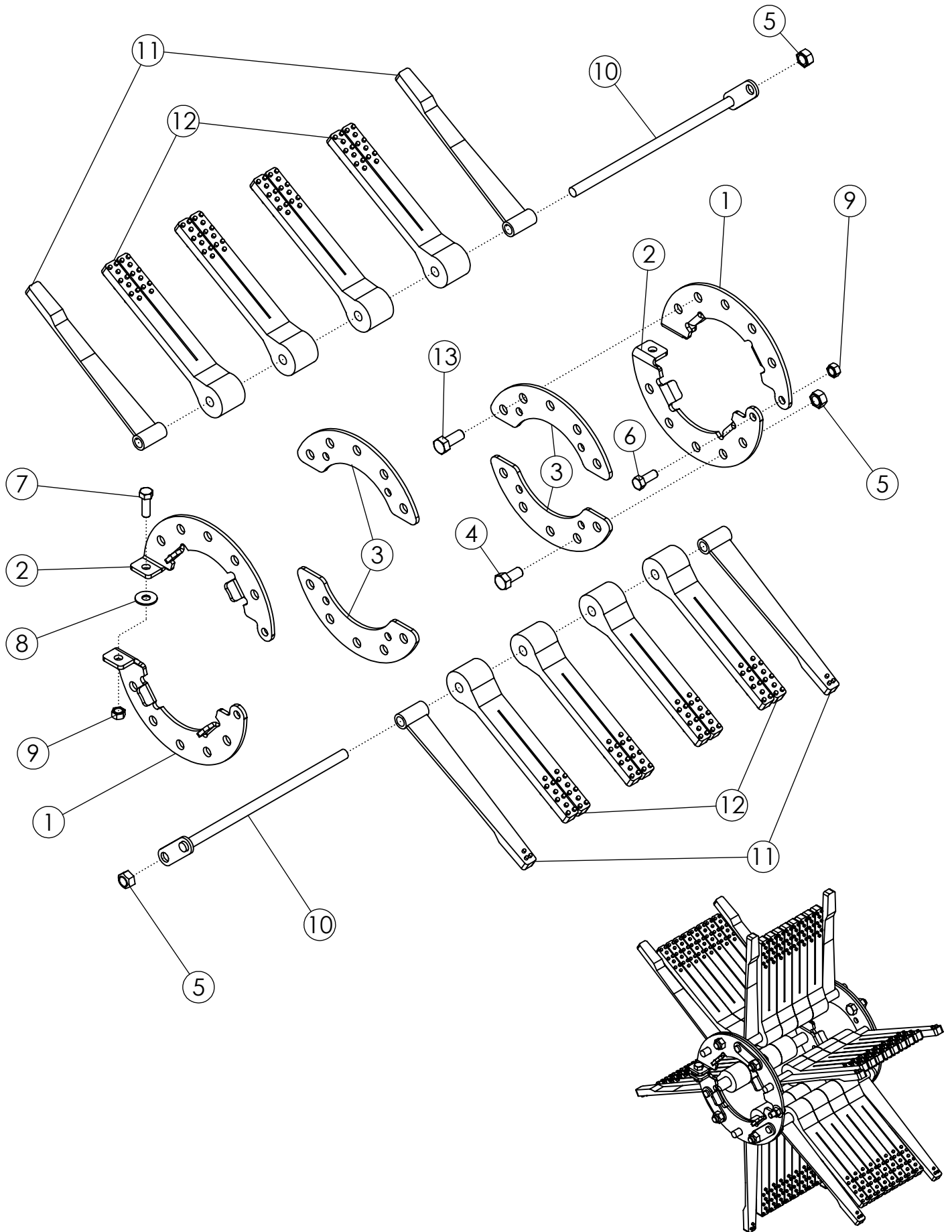


# LONG SWEEP/TAPERED/2" FLAIL #3 22" (69555)

---

| ITEM | PART NO. | DESCRIPTION                    | QTY |
|------|----------|--------------------------------|-----|
| 1    | 52062    | FLAIL RING LH - ZP             | 2   |
| 2    | 52061    | FLAIL RING RH - ZP             | 2   |
| 3    | 58084    | PLATE-REINFORCEMENT ZP         | 4   |
| 4    | 1032509  | BOLT-HEX: .63 X 1.25 NC GR5 ZP | 2   |
| 5    | 1016595  | NUT-TOPLOCK: .63 NC GR5 ZP     | 8   |
| 6    | 1011606  | BOLT-HEX: .50 X 1.25 NC GR5 ZP | 2   |
| 7    | 1011607  | BOLT-HEX: .50 X 1.50 NC GR5 ZP | 2   |
| 8    | 1014443  | WASHER-FLAT: .50 ZP            | 2   |
| 9    | 1027461  | NUT-TOPLOCK: .50 NC GR5 ZP     | 4   |
| 10   | 305557   | WLDMT-6 FLAIL ROD 13.875" ZP   | 6   |
| 11   | 307260   | FLAIL-RUBBER 1.5 X 14" SWEEP   | 12  |
| 12   | 307259   | FLAIL-RUBBER 1 X 12 TAPERED    | 12  |
| 13   | 307261   | FLAIL-RUBBER 2 X 12            | 6   |
| 14   | 1014349  | BOLT-HEX: .63 X 1.50 NC GR5 ZP | 6   |

# SWEEP/SPLIT FLAIL #3 30" (52128)

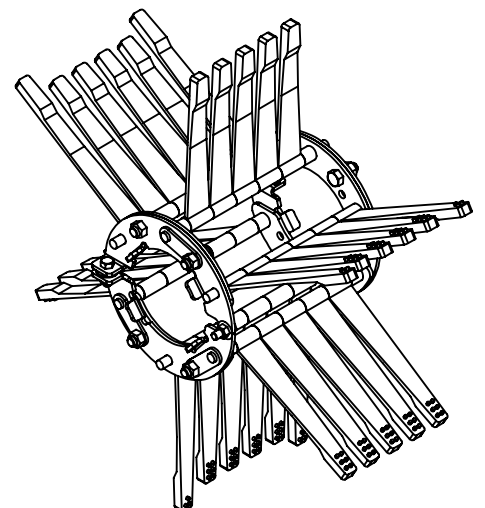
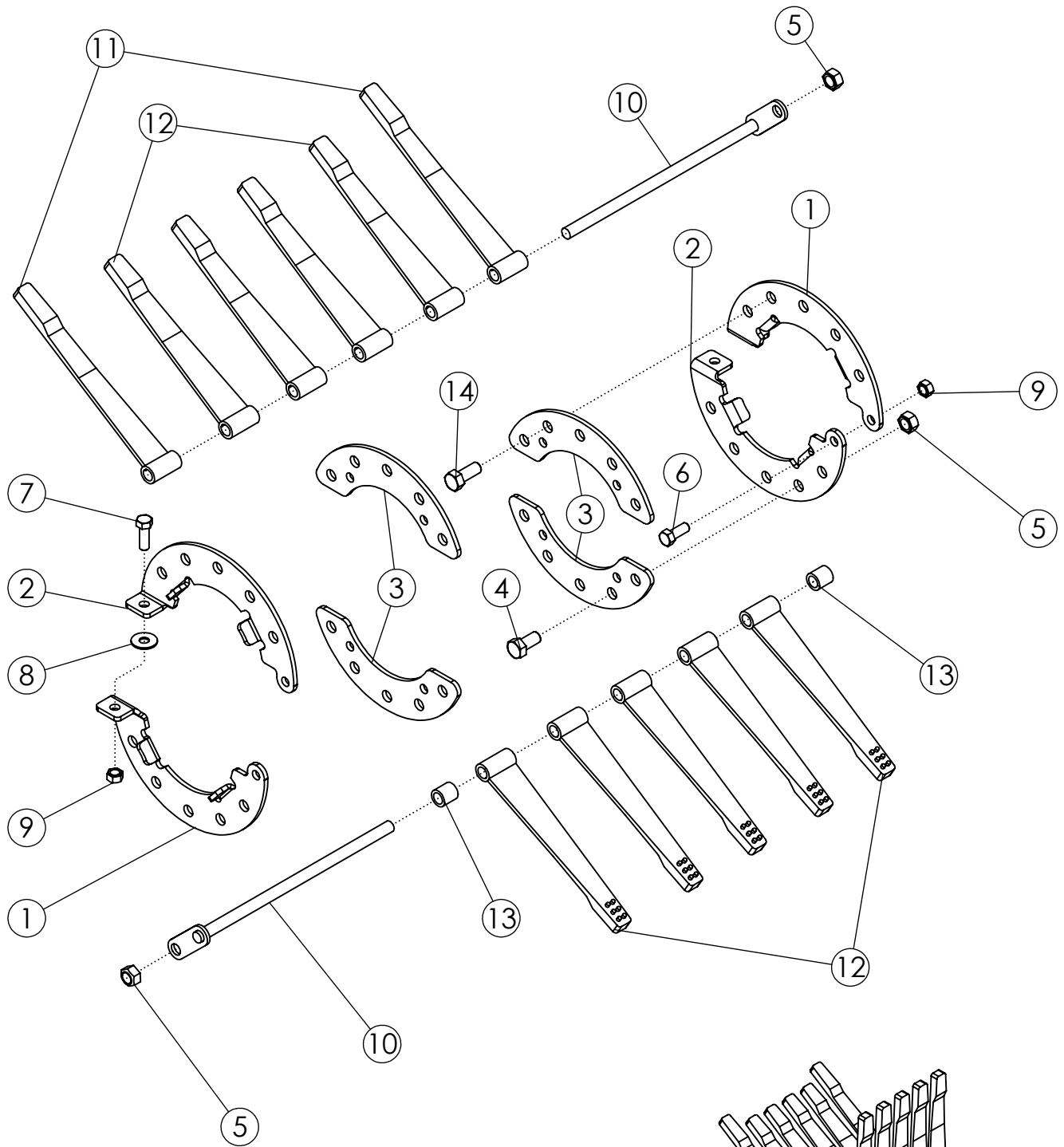


## SWEEP/SPLIT FLAIL #3 30" (52128)

---

| ITEM | PART NO. | DESCRIPTION                    | QTY |
|------|----------|--------------------------------|-----|
| 1    | 52062    | FLAIL RING LH - ZP             | 2   |
| 2    | 52061    | FLAIL RING RH - ZP             | 2   |
| 3    | 58084    | PLATE-REINFORCEMENT ZP         | 4   |
| 4    | 1032509  | BOLT-HEX: .63 X 1.25 NC GR5 ZP | 2   |
| 5    | 1016595  | NUT-TOPLOCK: .63 NC GR5 ZP     | 8   |
| 6    | 1011606  | BOLT-HEX: .50 X 1.25 NC GR5 ZP | 2   |
| 7    | 1011607  | BOLT-HEX: .50 X 1.50 NC GR5 ZP | 2   |
| 8    | 1014443  | WASHER-FLAT: .50 ZP            | 2   |
| 9    | 1027461  | NUT-TOPLOCK: .50 NC GR5 ZP     | 4   |
| 10   | 305557   | WLDMT-6 FLAIL ROD 13.875" ZP   | 6   |
| 11   | 52355    | FLAIL-SWEEP 1 X 13.25          | 12  |
| 12   | 58255    | FLAIL-SPLIT TAPER 2 X 12       | 24  |
| 13   | 1014349  | BOLT-HEX: .63 X 1.50 NC GR5 ZP | 6   |

# SWEEP/STUDDED FLAIL #3 30" (69853)

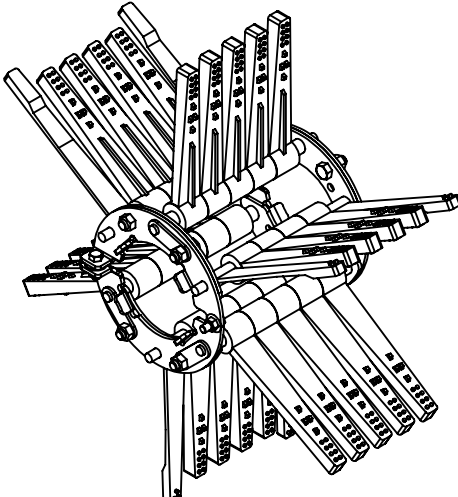
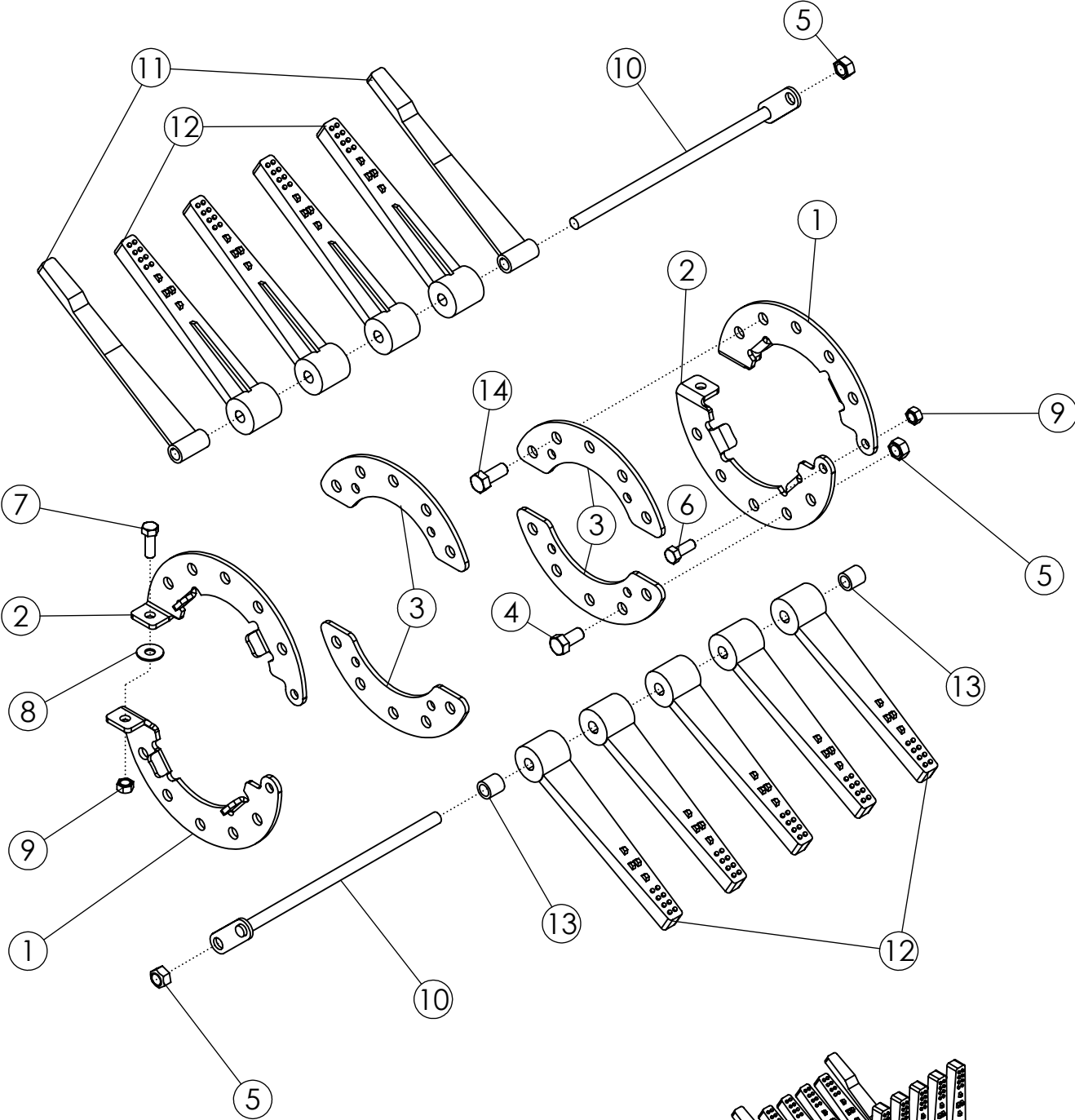


# **SWEEP/STUDED FLAIL #3 30" (69853)**

---

| <b>ITEM</b> | <b>PART NO.</b> | <b>DESCRIPTION</b>             | <b>QTY</b> |
|-------------|-----------------|--------------------------------|------------|
| 1           | 52062           | FLAIL RING LH - ZP             | 2          |
| 2           | 52061           | FLAIL RING RH - ZP             | 2          |
| 3           | 58084           | PLATE-REINFORCEMENT ZP         | 4          |
| 4           | 1032509         | BOLT-HEX: .63 X 1.25 NC GR5 ZP | 2          |
| 5           | 1016595         | NUT-TOPLOCK: .63 NC GR5 ZP     | 8          |
| 6           | 1011606         | BOLT-HEX: .50 X 1.25 NC GR5 ZP | 2          |
| 7           | 1011607         | BOLT-HEX: .50 X 1.50 NC GR5 ZP | 2          |
| 8           | 1014443         | WASHER-FLAT: .50 ZP            | 2          |
| 9           | 1027461         | NUT-TOPLOCK: .50 NC GR5 ZP     | 4          |
| 10          | 305557          | WLDMT-6 FLAIL ROD 13.875" ZP   | 6          |
| 11          | 52355           | FLAIL-SWEEP 1 X 13.25          | 6          |
| 12          | 52356           | FLAIL-STUDED 1 X 12            | 27         |
| 13          | 51549           | SPACER-1"                      | 6          |
| 14          | 1014349         | BOLT-HEX: .63 X 1.50 NC GR5 ZP | 6          |

# SWEEP/TAPERED FLAIL #3 30" (68796)

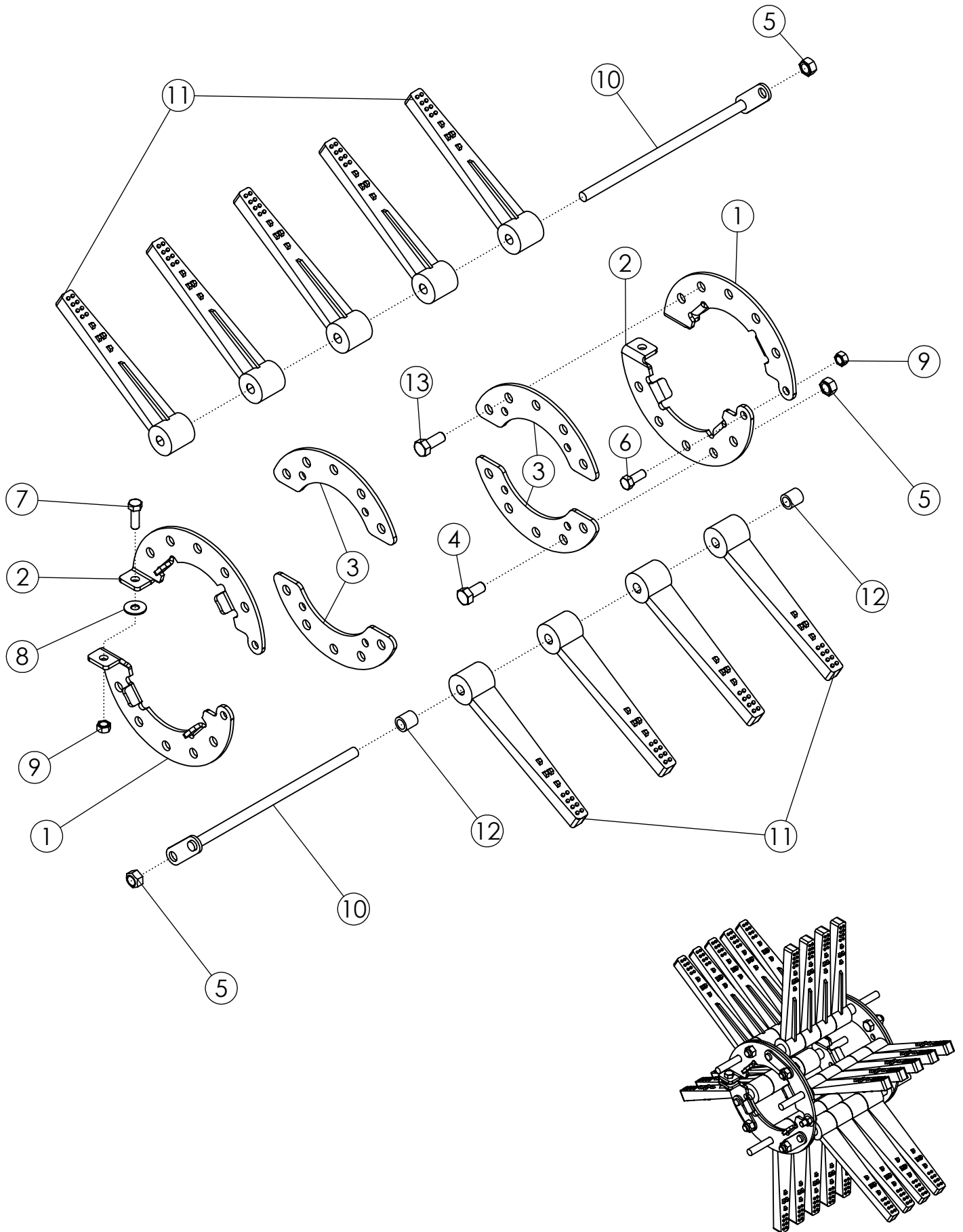


## SWEEP/TAPERED FLAIL #3 30" (68796)

---

| ITEM | PART NO. | DESCRIPTION                    | QTY |
|------|----------|--------------------------------|-----|
| 1    | 52062    | FLAIL RING LH - ZP             | 2   |
| 2    | 52061    | FLAIL RING RH - ZP             | 2   |
| 3    | 58084    | PLATE-REINFORCEMENT ZP         | 4   |
| 4    | 1032509  | BOLT-HEX: .63 X 1.25 NC GR5 ZP | 2   |
| 5    | 1016595  | NUT-TOPLOCK: .63 NC GR5 ZP     | 8   |
| 6    | 1011606  | BOLT-HEX: .50 X 1.25 NC GR5 ZP | 2   |
| 7    | 1011607  | BOLT-HEX: .50 X 1.50 NC GR5 ZP | 2   |
| 8    | 1014443  | WASHER-FLAT: .50 ZP            | 2   |
| 9    | 1027461  | NUT-TOPLOCK: .50 NC GR5 ZP     | 4   |
| 10   | 305557   | WLDMT-6 FLAIL ROD 13.875" ZP   | 6   |
| 11   | 52355    | FLAIL-SWEEP 1 X 13.25          | 6   |
| 12   | 307259   | FLAIL-RUBBER 1 X 12 TAPERED    | 27  |
| 13   | 51549    | SPACER-1"                      | 6   |
| 14   | 1014349  | BOLT-HEX: .63 X 1.50 NC GR5 ZP | 6   |

# FULL TAPERED FLAIL #3 22" (307563)



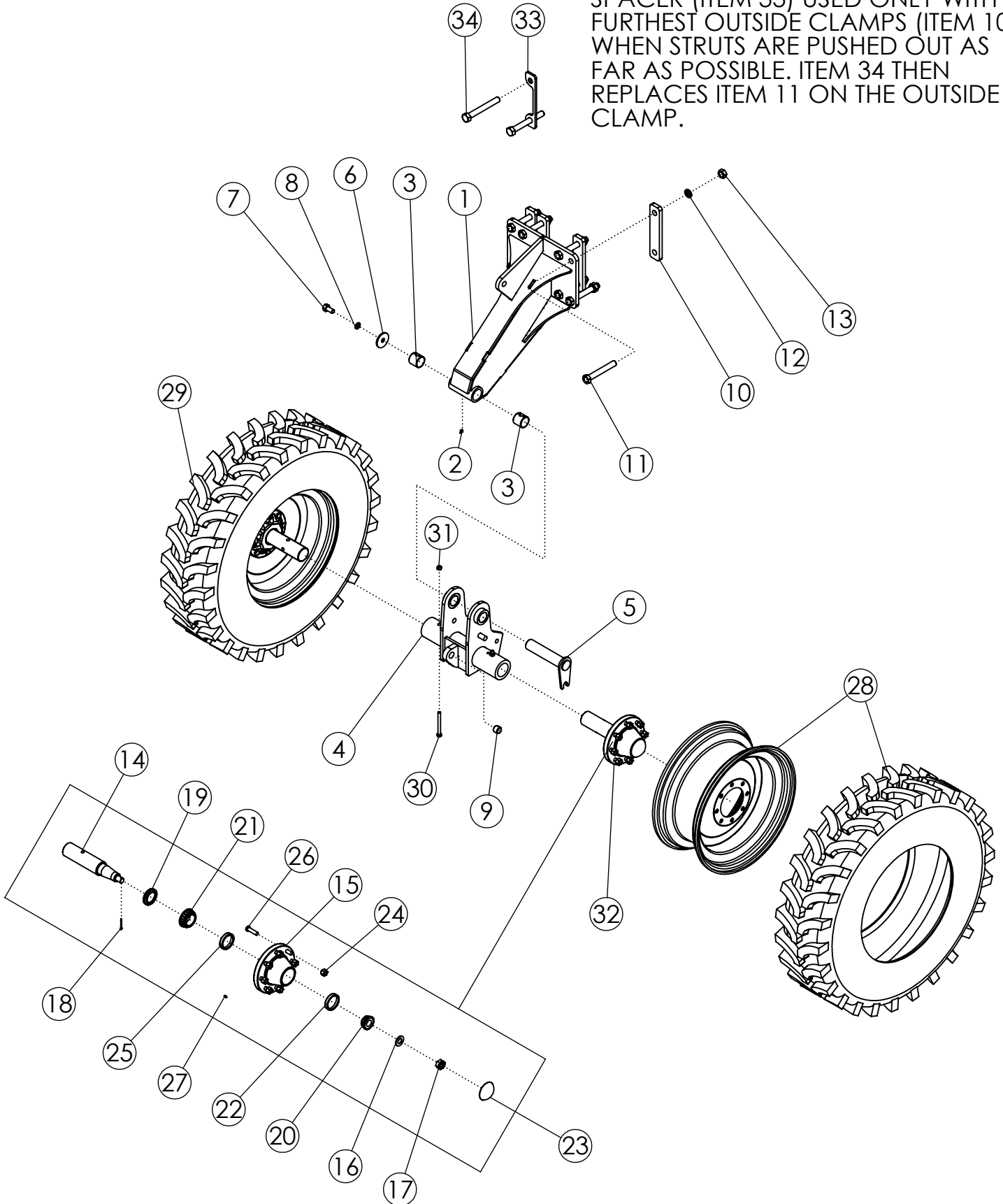
## FULL TAPERED FLAIL #3 22" (307563)

---

| ITEM | PART NO. | DESCRIPTION                    | QTY |
|------|----------|--------------------------------|-----|
| 1    | 52062    | FLAIL RING LH - ZP             | 2   |
| 2    | 52061    | FLAIL RING RH - ZP             | 2   |
| 3    | 58084    | PLATE-REINFORCEMENT ZP         | 4   |
| 4    | 1032509  | BOLT-HEX: .63 X 1.25 NC GR5 ZP | 2   |
| 5    | 1016595  | NUT-TOPLOCK: .63 NC GR5 ZP     | 8   |
| 6    | 1011606  | BOLT-HEX: .50 X 1.25 NC GR5 ZP | 2   |
| 7    | 1011607  | BOLT-HEX: .50 X 1.50 NC GR5 ZP | 2   |
| 8    | 1014443  | WASHER-FLAT: .50 ZP            | 2   |
| 9    | 1027461  | NUT-TOPLOCK: .50 NC GR5 ZP     | 4   |
| 10   | 305557   | WLDMT-6 FLAIL ROD 13.875" ZP   | 6   |
| 11   | 307259   | FLAIL-RUBBER 1 X 12 TAPERED    | 27  |
| 12   | 51549    | SPACER-1"                      | 6   |
| 13   | 1014349  | BOLT-HEX: .63 X 1.50 NC GR5 ZP | 6   |

# STANDARD REAR STRUTS 11.2 X 24 22" (306001)

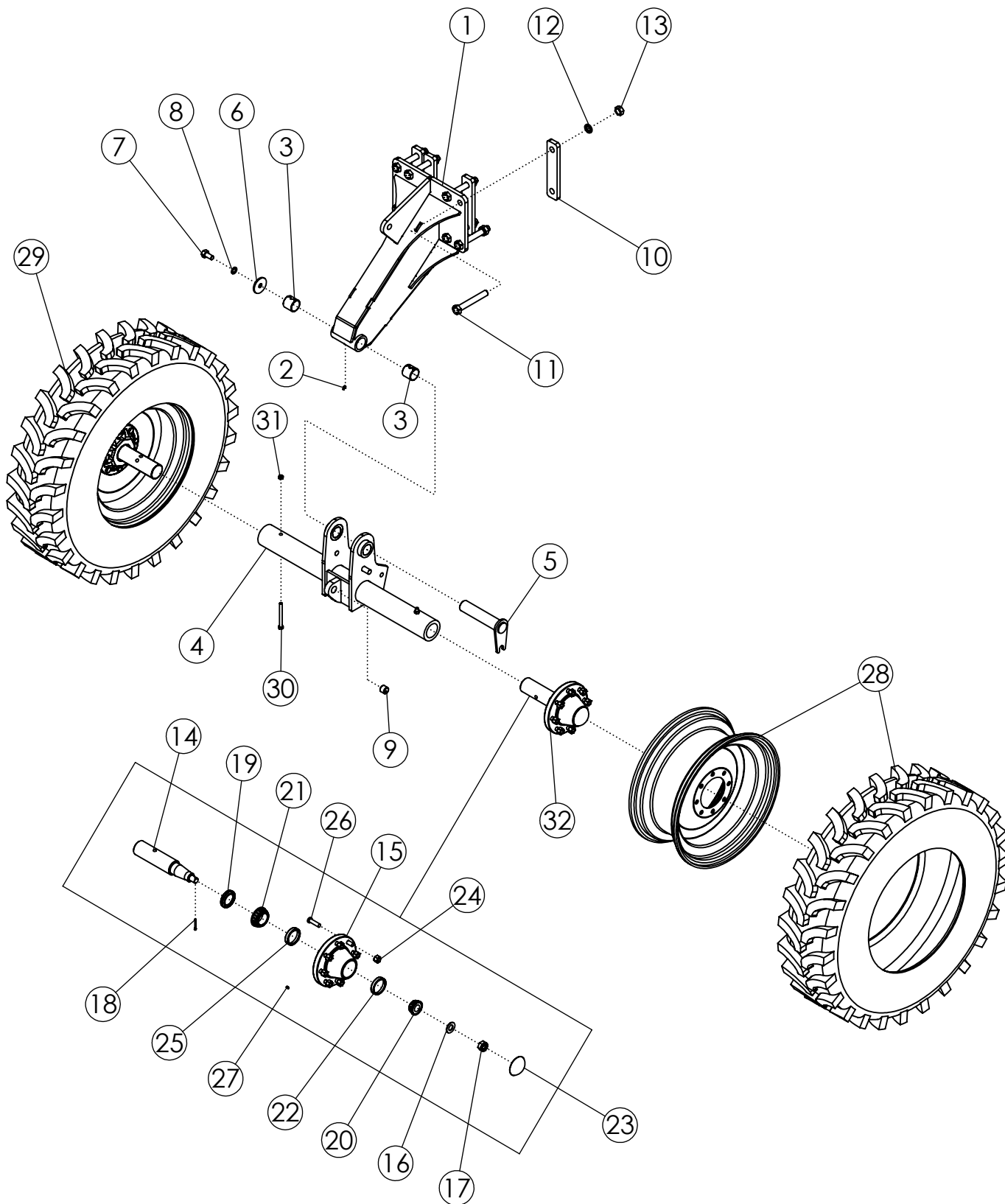
SPACER (ITEM 33) USED ONLY WITH FURTHEST OUTSIDE CLAMPS (ITEM 10) WHEN STRUTS ARE PUSHED OUT AS FAR AS POSSIBLE. ITEM 34 THEN REPLACES ITEM 11 ON THE OUTSIDE CLAMP.



# STANDARD REAR STRUTS 11.2 X 24 22" (306001)

| ITEM | PART NO. | DESCRIPTION                               | QTY |
|------|----------|---|-----|
| 1    | 306020   | WLDMT-STRUT STANDARD PIVOT                | 2   |
| 2    | 1011748  | ZERK-GREASE .25 UNF STRAIGHT              | 2   |
| 3    | 73466    | BUSHING-SPRING 2.25 X 2.0 X 2.0 L         | 4   |
| 4    | 305561   | WLDMT-SPINDLE RECEIVER 22"                | 2   |
| 5    | 305573   | WLDMT-DEF STRUT FLAG PIN ZP               | 2   |
| 6    | 305575   | PLATE-PIVOT POINT END CAP ZP              | 2   |
| 7    | 58367    | BOLT-HEX: .75 X 1.50 NC GR5 ZP            | 2   |
| 8    | 1012061  | WASHER-LOCK: .75 ZP                       | 2   |
| 9    | 45572    | BUSHING-SPRING 1.25 X 1 X 1               | 2   |
| 10   | 58408    | BAR - BOLTING                             | 8   |
| 11   | 1018839  | BOLT-HEX: 1.00 X 7.00 NC GR8 ZP           | 16  |
| 12   | 1013539  | WASHER-LOCK: 1.00 ZP                      | 16  |
| 13   | 1012664  | NUT-HEX: 1.00 NC GR2 ZP                   | 16  |
| 14   | 52954    | SPINDLE-STANDARD                          | 4   |
| 15   | 53623    | HUB-WHEEL 8 BOLT                          | 4   |
| 16   | 1030728  | WASHER-FLAT: SAE 1.00 ZP GR8              | 4   |
| 17   | 1030726  | NUT-SPINDLE: 1.00 NF NP                   | 4   |
| 18   | 1030797  | PIN-COTTER: .19 X 1.75 NP                 | 4   |
| 19   | 53619    | SEAL 7044-116                             | 4   |
| 20   | 53620    | BEARING CONE-OUTER                        | 4   |
| 21   | 53621    | BEARING CONE-INNER                        | 4   |
| 22   | 53622    | BEARING CUP-INNER                         | 4   |
| 23   | 53624    | CAP-HUB                                   | 4   |
| 24   | 53625    | NUT-WHEEL .625-18NF                       | 32  |
| 25   | 52243    | BEARING CUP-OUTER                         | 4   |
| 26   | 54393    | STUD-HUB BOLT 7600-6                      | 32  |
| 27   | 301490   | SELF TAPPING GREASE FITTING               | 4   |
| 28   | 56986    | TIRE-MNTD: 11.2-24 10 PLY R1 TITAN HTL RH | 2   |
| 29   | 63992    | TIRE-MNTD: 11.2-24 10 PLY R1 TITAN HTL LH | 2   |
| 30   | 1011618  | BOLT-HEX: .50 X 5.00 NC GR5 ZP            | 4   |
| 31   | 1027461  | NUT-TOPLOCK: .50 NC GR5 ZP                | 4   |
| 32   | 53167    | ASSY-HUB & SPINDLE: 8 BOLT W/ZERK         | 4   |
| 33   | 307866   | PLATE-STRUT SPACER SPECIAL .375           | 2   |
| 34   | 1030725  | BOLT-HEX: 1.0 x 8.00 NC GR5 ZP            | 4   |

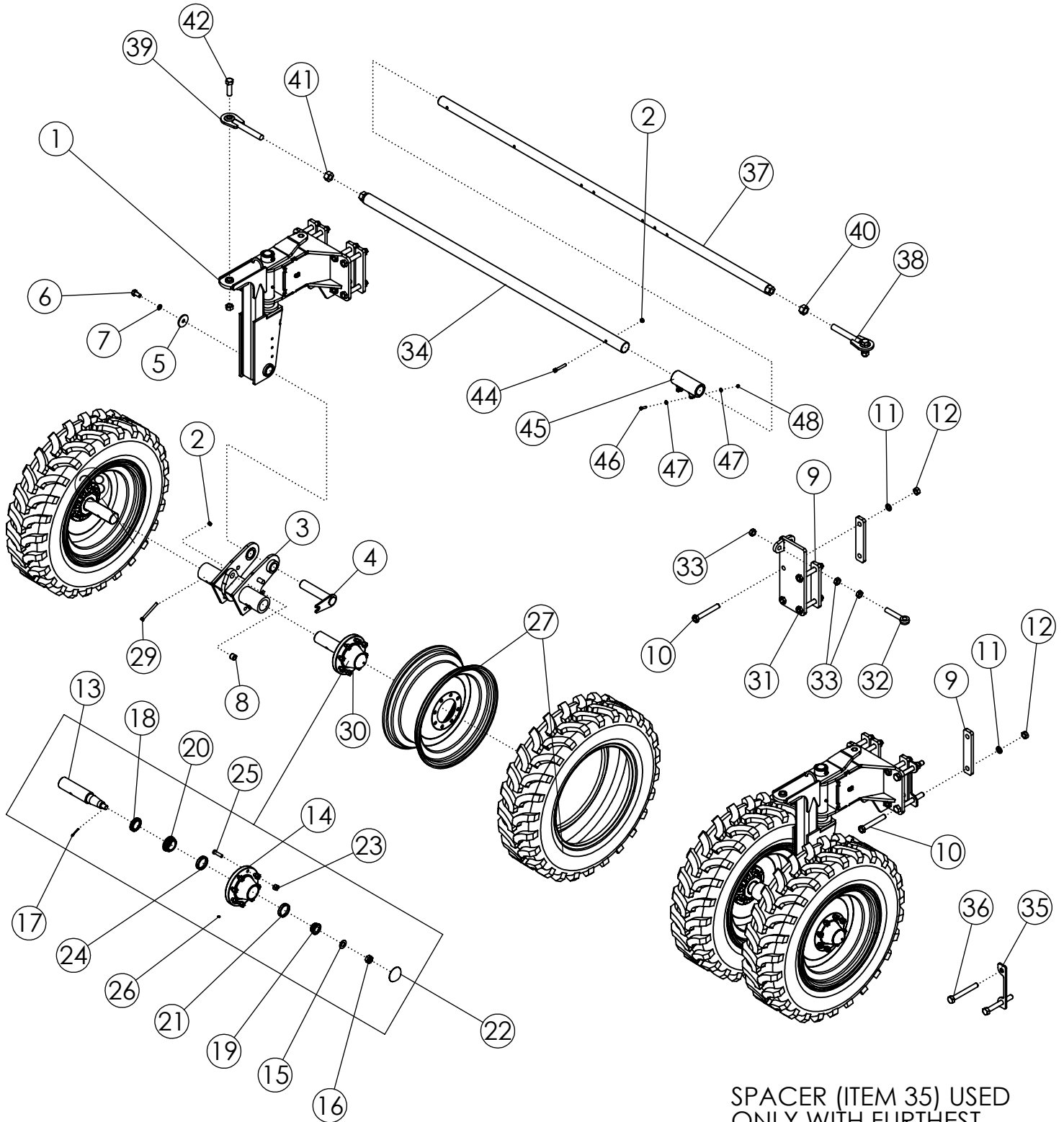
# STANDARD REAR STRUTS 11.2 X 24 44" (306002)



# STANDARD REAR STRUTS 11.2 X 24 44" (306002)

| ITEM | PART NO. | DESCRIPTION                               | QTY |
|------|----------|---|-----|
| 1    | 306020   | WLDMT-STRUT STANDARD PIVOT                | 2   |
| 2    | 1011748  | ZERK-GREASE .25 UNF STRAIGHT              | 2   |
| 3    | 73466    | BUSHING-SPRING 2.25 X 2.0 X 2.0 L         | 4   |
| 4    | 305562   | WLDMT-SPINDLE RECEIVER 44"                | 2   |
| 5    | 305573   | WLDMT-DEF STRUT FLAG PIN ZP               | 2   |
| 6    | 305575   | PLATE-PIVOT POINT END CAP ZP              | 2   |
| 7    | 58367    | BOLT-HEX: .75 X 1.50 NC GR5 ZP            | 2   |
| 8    | 1012061  | WASHER-LOCK: .75 ZP                       | 2   |
| 9    | 45572    | BUSHING-SPRING 1.25 X 1 X 1               | 2   |
| 10   | 58408    | BAR - BOLTING                             | 8   |
| 11   | 1018839  | BOLT-HEX: 1.00 X 7.00 NC GR8 ZP           | 16  |
| 12   | 1013539  | WASHER-LOCK: 1.00 ZP                      | 16  |
| 13   | 1012664  | NUT-HEX: 1.00 NC GR2 ZP                   | 16  |
| 14   | 52954    | SPINDLE-STANDARD                          | 4   |
| 15   | 53623    | HUB-WHEEL 8 BOLT                          | 4   |
| 16   | 1030728  | WASHER-FLAT: SAE 1.00 ZP GR8              | 4   |
| 17   | 1030726  | NUT-SPINDLE: 1.00 NF NP                   | 4   |
| 18   | 1030797  | PIN-COTTER: .19 X 1.75 NP                 | 4   |
| 19   | 53619    | SEAL 7044-116                             | 4   |
| 20   | 53620    | BEARING CONE-OUTER                        | 4   |
| 21   | 53621    | BEARING CONE-INNER                        | 4   |
| 22   | 53622    | BEARING CUP-INNER                         | 4   |
| 23   | 53624    | CAP-HUB                                   | 4   |
| 24   | 53625    | NUT-WHEEL .625-18NF                       | 32  |
| 25   | 52243    | BEARING CUP-OUTER                         | 4   |
| 26   | 54393    | STUD-HUB BOLT 7600-6                      | 32  |
| 27   | 301490   | SELF TAPPING GREASE FITTING               | 4   |
| 28   | 56986    | TIRE-MNTD: 11.2-24 10 PLY R1 TITAN HTL RH | 2   |
| 29   | 63992    | TIRE-MNTD: 11.2-24 10 PLY R1 TITAN HTL LH | 2   |
| 30   | 1011618  | BOLT-HEX: .50 X 5.00 NC GR5 ZP            | 4   |
| 31   | 1027461  | NUT-TOPLOCK: .50 NC GR5 ZP                | 4   |
| 32   | 53167    | ASSY-HUB & SPINDLE: 8 BOLT W/ZERK         | 4   |

# STEERABLE REAR STRUTS 11.2 X 24 22" (305920)



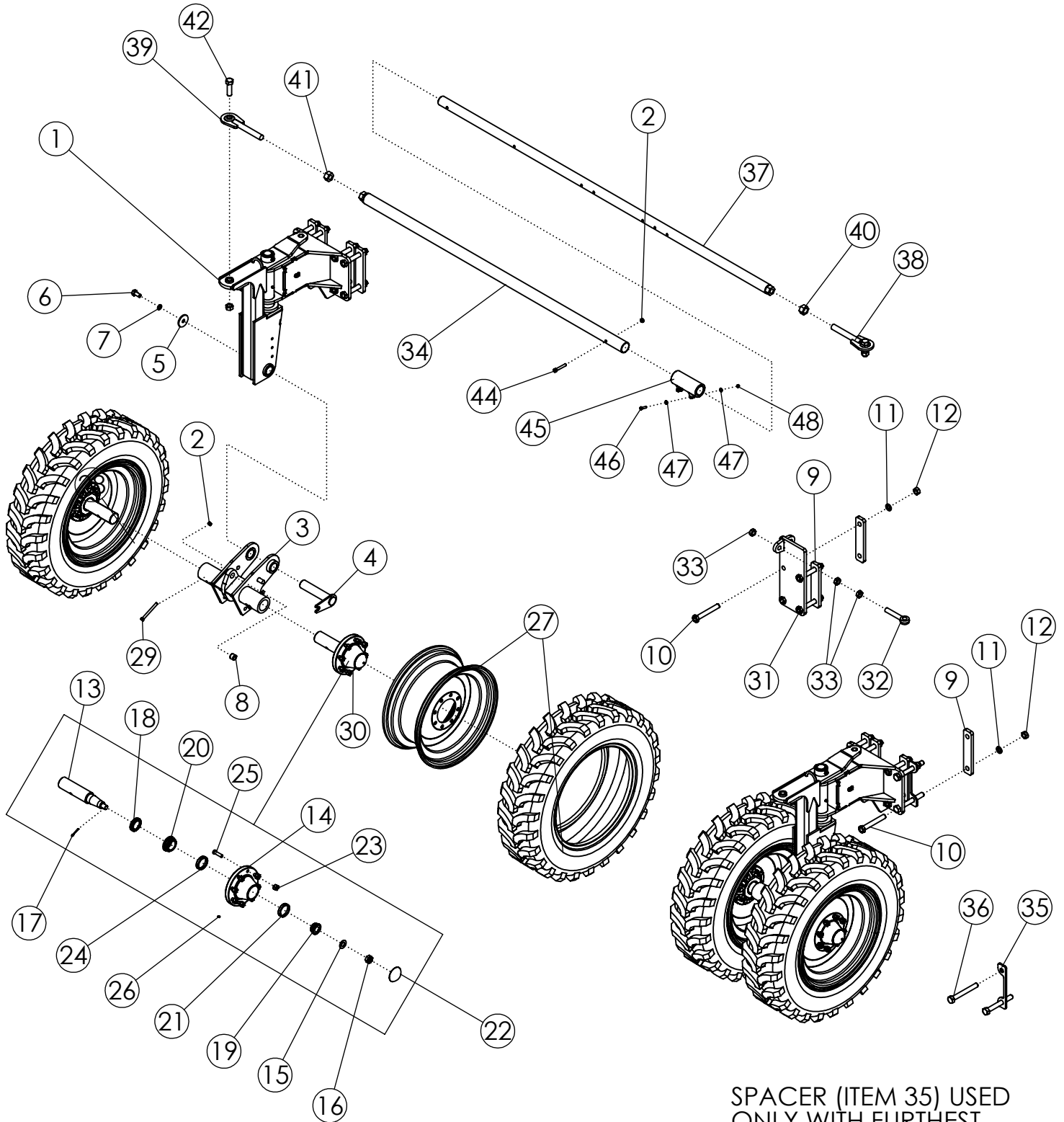
SPACER (ITEM 35) USED ONLY WITH FURTHEST OUTSIDE CLAMPS (ITEM 9) WHEN STRUTS ARE PUSHED OUT AS FAR AS POSSIBLE. ITEM 36 THEN REPLACES ITEM 10 ON THE OUTSIDE CLAMP.

# STEERABLE REAR STRUTS 11.2 X 24 22" (305920)

| ITEM | PART NO. | DESCRIPTION                               | QTY |
|------|----------|---|-----|
| 1    | 305924   | ASSY-STEERABLE STRUT UPPER DLS            | 2   |
| 2    | 1027461  | NUT-TOPLOCK: .50 NC GR5 ZP                | 5   |
| 3    | 305561   | WLDMT-SPINDLE RECEIVER 22"                | 2   |
| 4    | 305573   | WLDMT-DEF STRUT FLAG PIN ZP               | 2   |
| 5    | 305575   | PLATE-PIVOT POINT END CAP ZP              | 2   |
| 6    | 58367    | BOLT-HEX: .75 X 1.50 NC GR5 ZP            | 2   |
| 7    | 1012061  | WASHER-LOCK: .75 ZP                       | 2   |
| 8    | 45572    | BUSHING-SPRING 1.25 X 1 X 1               | 2   |
| 9    | 58408    | BAR - BOLTING                             | 10  |
| 10   | 1018839  | BOLT-HEX: 1.00 X 7.00 NC GR8 ZP           | 20  |
| 11   | 1013539  | WASHER-LOCK: 1.00 ZP                      | 20  |
| 12   | 1012664  | NUT-HEX: 1.00 NC GR2 ZP                   | 20  |
| 13   | 52954    | SPINDLE-STANDARD                          | 4   |
| 14   | 53623    | HUB-WHEEL 8 BOLT                          | 4   |
| 15   | 1030728  | WASHER-FLAT: SAE 1.00 ZP GR8              | 4   |
| 16   | 1030726  | NUT-SPINDLE: 1.00 NF NP                   | 4   |
| 17   | 1030797  | PIN-COTTER: .19 X 1.75 NP                 | 4   |
| 18   | 53619    | SEAL 7044-116                             | 4   |
| 19   | 53620    | BEARING CONE-OUTER                        | 4   |
| 20   | 53621    | BEARING CONE-INNER                        | 4   |
| 21   | 53622    | BEARING CUP-INNER                         | 4   |
| 22   | 53624    | CAP-HUB                                   | 4   |
| 23   | 53625    | NUT-WHEEL .625-18NF                       | 32  |
| 24   | 52243    | BEARING CUP-OUTER                         | 4   |
| 25   | 54393    | STUD-HUB BOLT 7600-6                      | 32  |
| 26   | 301490   | SELF TAPPING GREASE FITTING               | 4   |
| 27   | 56986    | TIRE-MNTD: 11.2-24 10 PLY R1 TITAN HTL RH | 2   |
| 28   | 63992    | TIRE-MNTD: 11.2-24 10 PLY R1 TITAN HTL LH | 2   |
| 29   | 1011618  | BOLT-HEX: .50 X 5.00 NC GR5 ZP            | 4   |
| 30   | 53167    | ASSY-HUB & SPINDLE: 8 BOLT W/ZERK         | 4   |
| 31   | 306732   | WLDMT-CYLINDER BRACKET ADJ                | 1   |
| 32   | 62081    | BOLT-EYEBOLT: 1.00 X 6.00 ZP GR8          | 1   |
| 33   | 1026880  | NUT-JAM: 1.00 NC GR2 ZP                   | 3   |
| 34   | 306577   | WLDMT-TIE ROD 85" FEMALE                  | 1   |
| 35   | 307866   | PLATE-STRUT SPACER SPECIAL .375           | 2   |
| 36   | 1030725  | BOLT-HEX: 1.0 x 8.00 NC GR5 ZP            | 4   |

CONTINUED

# STEERABLE REAR STRUTS 11.2 X 24 22" (305920)



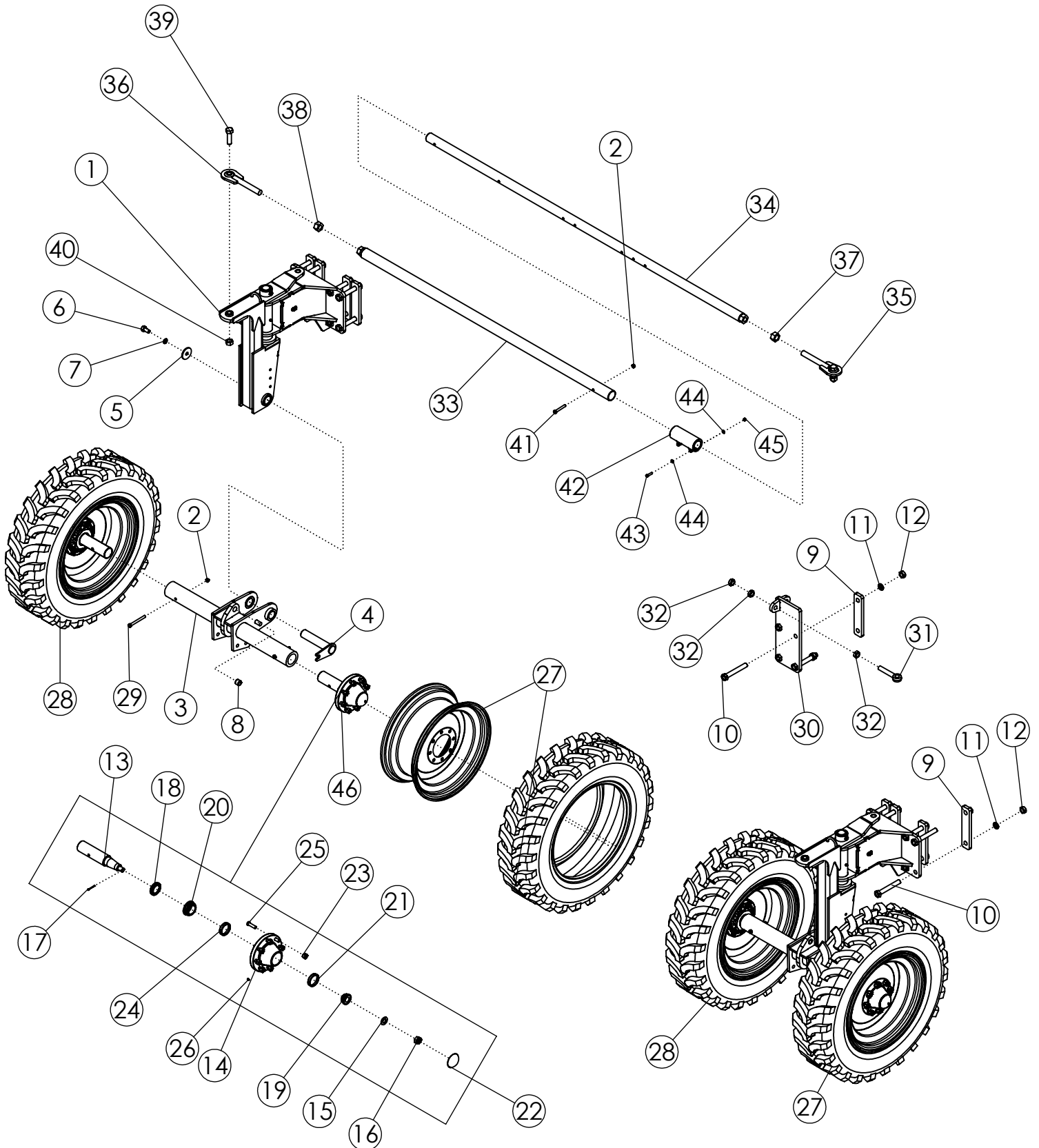
SPACER (ITEM 35) USED ONLY WITH FURTHEST OUTSIDE CLAMPS (ITEM 9) WHEN STRUTS ARE PUSHED OUT AS FAR AS POSSIBLE. ITEM 36 THEN REPLACES ITEM 10 ON THE OUTSIDE CLAMP.

# STEERABLE REAR STRUTS 11.2 X 24 22" (305920) (CONTINUED)

---

| ITEM | PART NO. | DESCRIPTION                     | QTY |
|------|----------|---------------------------------|-----|
| 37   | 306581   | WLDMT-TIE ROD 107" MALE         | 1   |
| 38   | 58186    | WLDMT-TIE ROD END RH            | 1   |
| 39   | 58203    | WLDMT-TIE ROD END LH            | 1   |
| 40   | 1011621  | NUT-HEX: 1.25 NC GR2 ZP RH      | 1   |
| 41   | 1030729  | NUT-HEX: 1.25 NC GR2 ZP LH      | 1   |
| 42   | 1032276  | BOLT-HEX: 1.00 X 3.50 NC GR8 ZP | 2   |
| 43   | 1016969  | NUT-TOPLOCK: 1.00 NC GR8 ZP     | 2   |
| 44   | 1017719  | BOLT-HEX: .50 X 3.25 NC GR5 ZP  | 1   |
| 45   | 306579   | WLDMT-TIE ROD CLAMP             | 1   |
| 46   | 1011602  | BOLT-HEX: .38 X 1.50 NC GR5 ZP  | 2   |
| 47   | 1014608  | WASHER-FLAT: SAE .38 ZP         | 4   |
| 48   | 1016999  | NUT-TOPLOCK: .38 NC GR5 ZP      | 2   |

# STEERABLE REAR STRUTS 11.2 X 24 44" (305921)

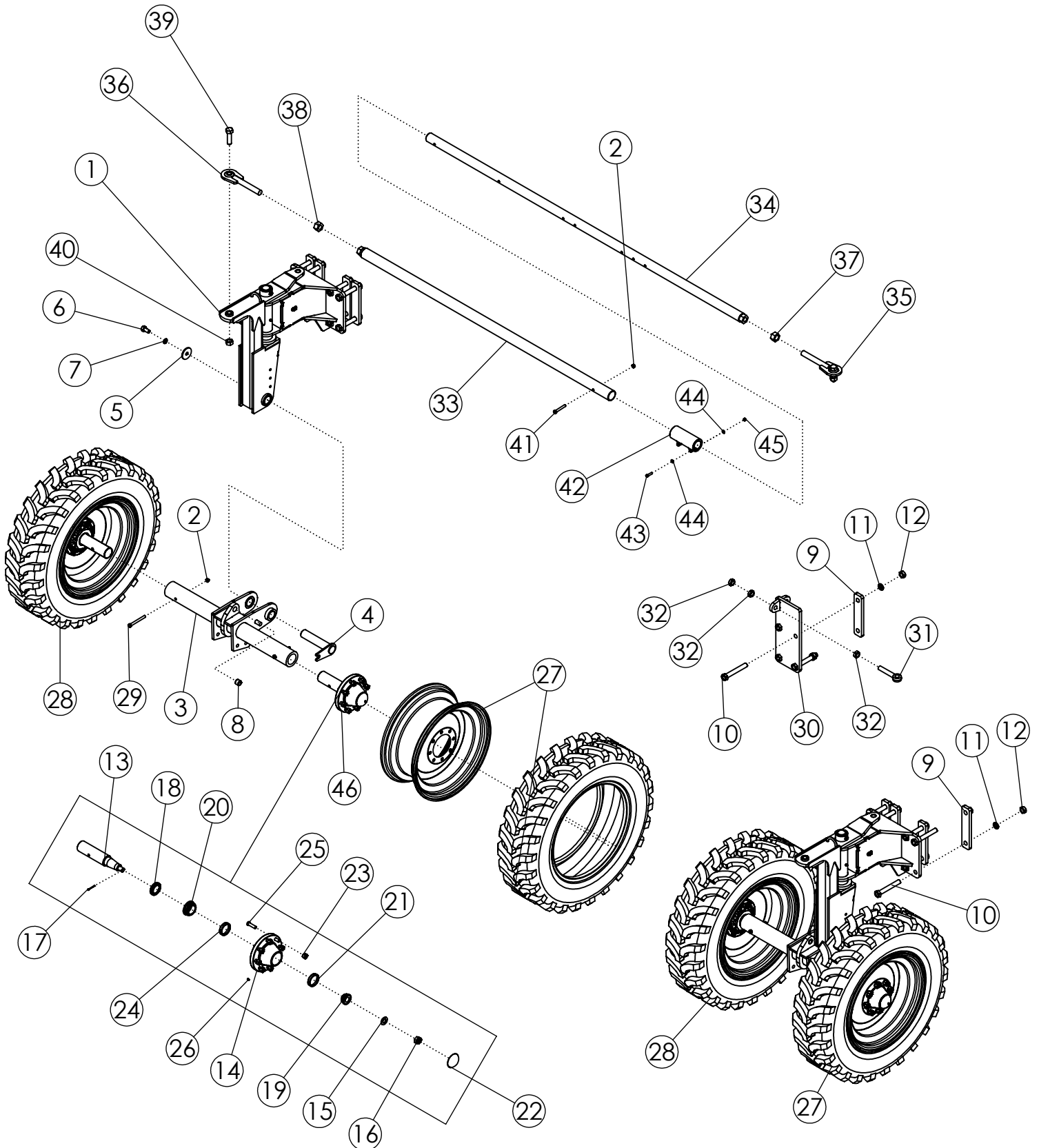


# STEERABLE REAR STRUTS 11.2 X 24 44" (305921)

| ITEM | PART NO. | DESCRIPTION                               | QTY |
|------|----------|---|-----|
| 1    | 305924   | ASSY-STEERABLE STRUT UPPER DLS            | 2   |
| 2    | 1027461  | NUT-TOPLOCK: .50 NC GR5 ZP                | 5   |
| 3    | 305562   | WLDMT-SPINDLE RECEIVER 44"                | 2   |
| 4    | 305573   | WLDMT-DEF STRUT FLAG PIN ZP               | 2   |
| 5    | 305575   | PLATE-PIVOT POINT END CAP ZP              | 2   |
| 6    | 58367    | BOLT-HEX: .75 X 1.50 NC GR5 ZP            | 2   |
| 7    | 1012061  | WASHER-LOCK: .75 ZP                       | 2   |
| 8    | 45572    | BUSHING-SPRING 1.25 X 1 X 1               | 2   |
| 9    | 58408    | BAR - BOLTING                             | 10  |
| 10   | 1018839  | BOLT-HEX: 1.00 X 7.00 NC GR8 ZP           | 20  |
| 11   | 1013539  | WASHER-LOCK: 1.00 ZP                      | 20  |
| 12   | 1012664  | NUT-HEX: 1.00 NC GR2 ZP                   | 20  |
| 13   | 52954    | SPINDLE-STANDARD                          | 4   |
| 14   | 53623    | HUB-WHEEL 8 BOLT                          | 4   |
| 15   | 1030728  | WASHER-FLAT: SAE 1.00 ZP GR8              | 4   |
| 16   | 1030726  | NUT-SPINDLE: 1.00 NF NP                   | 4   |
| 17   | 1030797  | PIN-COTTER: .19 X 1.75 NP                 | 4   |
| 18   | 53619    | SEAL 7044-116                             | 4   |
| 19   | 53620    | BEARING CONE-OUTER                        | 4   |
| 20   | 53621    | BEARING CONE-INNER                        | 4   |
| 21   | 53622    | BEARING CUP-INNER                         | 4   |
| 22   | 53624    | CAP-HUB                                   | 4   |
| 23   | 53625    | NUT-WHEEL .625-18NF                       | 32  |
| 24   | 52243    | BEARING CUP-OUTER                         | 4   |
| 25   | 54393    | STUD-HUB BOLT 7600-6                      | 32  |
| 26   | 301490   | SELF TAPPING GREASE FITTING               | 4   |
| 27   | 56986    | TIRE-MNTD: 11.2-24 10 PLY R1 TITAN HTL RH | 2   |
| 28   | 63992    | TIRE-MNTD: 11.2-24 10 PLY R1 TITAN HTL LH | 2   |
| 29   | 1011618  | BOLT-HEX: .50 X 5.00 NC GR5 ZP            | 4   |
| 30   | 306732   | WLDMT-CYLINDER BRACKET ADJ                | 1   |
| 31   | 62081    | BOLT-EYEBOLT: 1.00 X 6.00 ZP GR8          | 1   |
| 32   | 1026880  | NUT-JAM: 1.00 NC GR2 ZP                   | 3   |
| 33   | 306577   | WLDMT-TIE ROD 85" FEMALE                  | 1   |
| 34   | 306581   | WLDMT-TIE ROD 107" MALE                   | 1   |
| 35   | 58186    | WLDMT-TIE ROD END RH                      | 1   |
| 36   | 58203    | WLDMT-TIE ROD END LH                      | 1   |

CONTINUED

# STEERABLE REAR STRUTS 11.2 X 24 44" (305921)

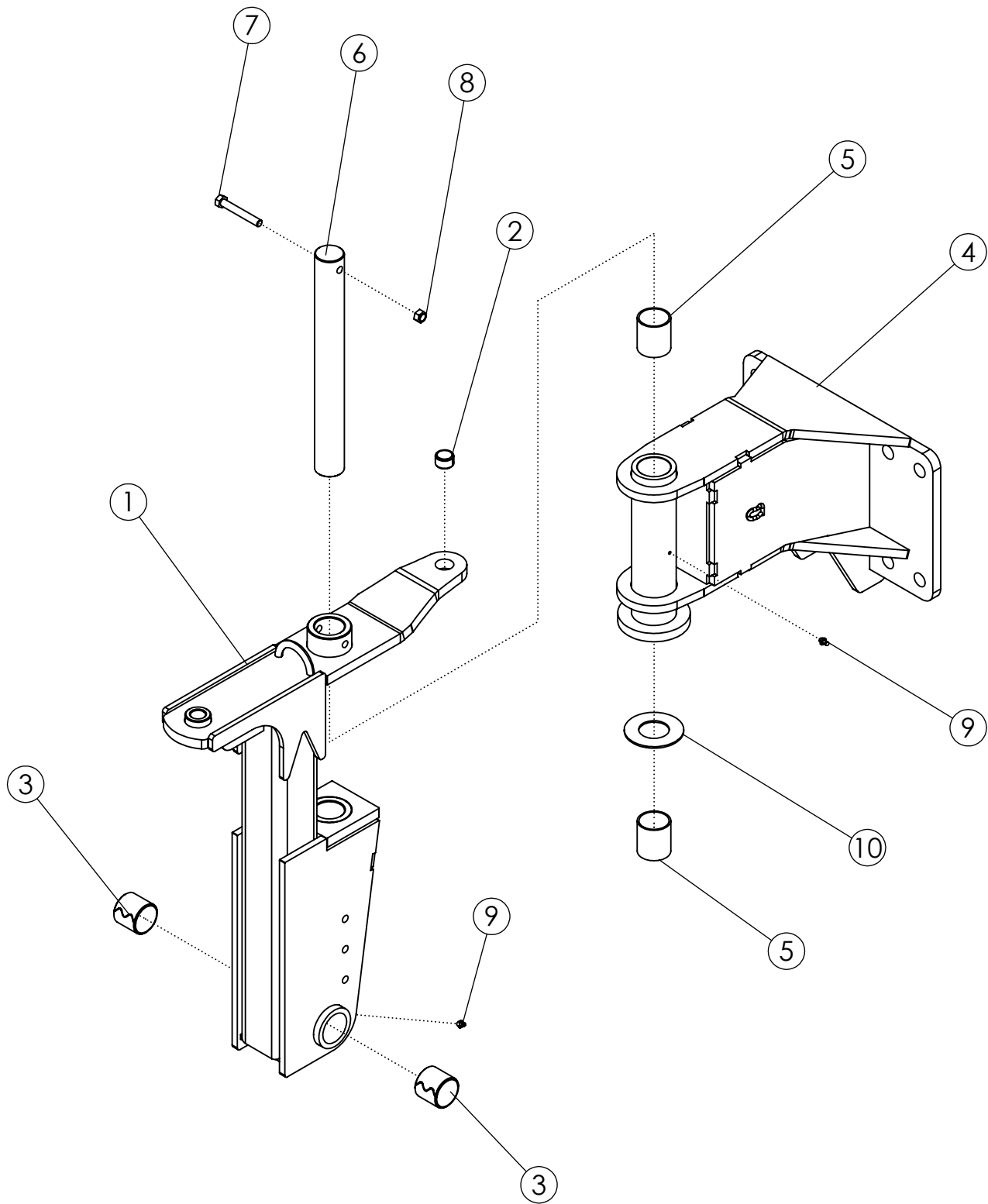


# STEERABLE REAR STRUTS 11.2 X 24 44" (305921) (CONTINUED)

---

| ITEM | PART NO. | DESCRIPTION                       | QTY |
|------|----------|-----------------------------------|-----|
| 37   | 1011621  | NUT-HEX: 1.25 NC GR2 ZP RH        | 1   |
| 38   | 1030729  | NUT-HEX: 1.25 NC GR2 ZP LH        | 1   |
| 39   | 1032276  | BOLT-HEX: 1.00 X 3.50 NC GR8 ZP   | 2   |
| 40   | 1016969  | NUT-TOPLOCK: 1.00 NC GR8 ZP       | 2   |
| 41   | 1017719  | BOLT-HEX: .50 X 3.25 NC GR5 ZP    | 1   |
| 42   | 306579   | WLDMT-TIE ROD CLAMP               | 1   |
| 43   | 1011602  | BOLT-HEX: .38 X 1.50 NC GR5 ZP    | 2   |
| 44   | 1014608  | WASHER-FLAT: SAE .38 ZP           | 4   |
| 45   | 1016999  | NUT-TOPLOCK: .38 NC GR5 ZP        | 2   |
| 46   | 53167    | ASSY-HUB & SPINDLE: 8 BOLT W/ZERK | 4   |

# STEERABLE STRUT ASSEMBLY (305924)

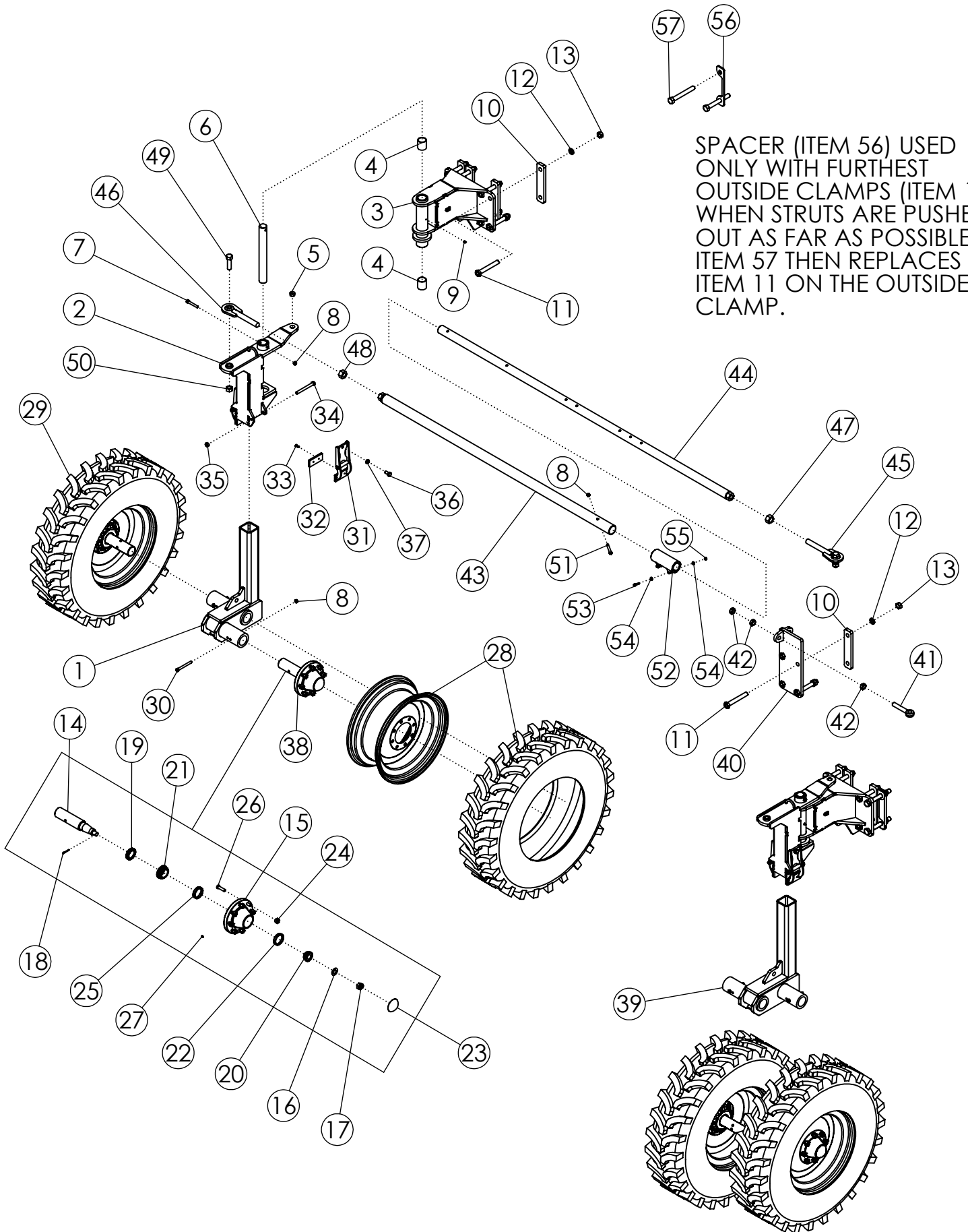


# STEERABLE STRUT ASSEMBLY (305924)

---

| ITEM | PART NO. | DESCRIPTION                        | QTY |
|------|----------|------------------------------------|-----|
| 1    | 305560   | WLDMT-STRUT UPPER                  | 1   |
| 2    | 307240   | SPRING BUSHING 1.25 X 1 X 0.75     | 1   |
| 3    | 73466    | BUSHING-SPRING 2.25 X 2.0 X 2.0 L  | 2   |
| 4    | 305925-1 | WLDMT-PIVOT MOUNT DLS              | 1   |
| 5    | 59204    | BUSHING-BORED 2.5 X 2.015          | 2   |
| 6    | 58274    | SHAFT-STRUT PIVOT                  | 1   |
| 7    | 1011612  | BOLT-HEX: .50 X 3.50 GR5 ZP        | 1   |
| 8    | 1027461  | NUT-TOPLOCK: .50 NC GR5 ZP         | 1   |
| 9    | 1011748  | ZERK-GREASE .25 UNF STRAIGHT       | 2   |
| 10   | 305586   | BUSHING-THRUST 2.062 X 4.00 X .125 | 1   |

# OFFSET STEERABLE REAR STRUTS 11.2 X 24 22" (306004)

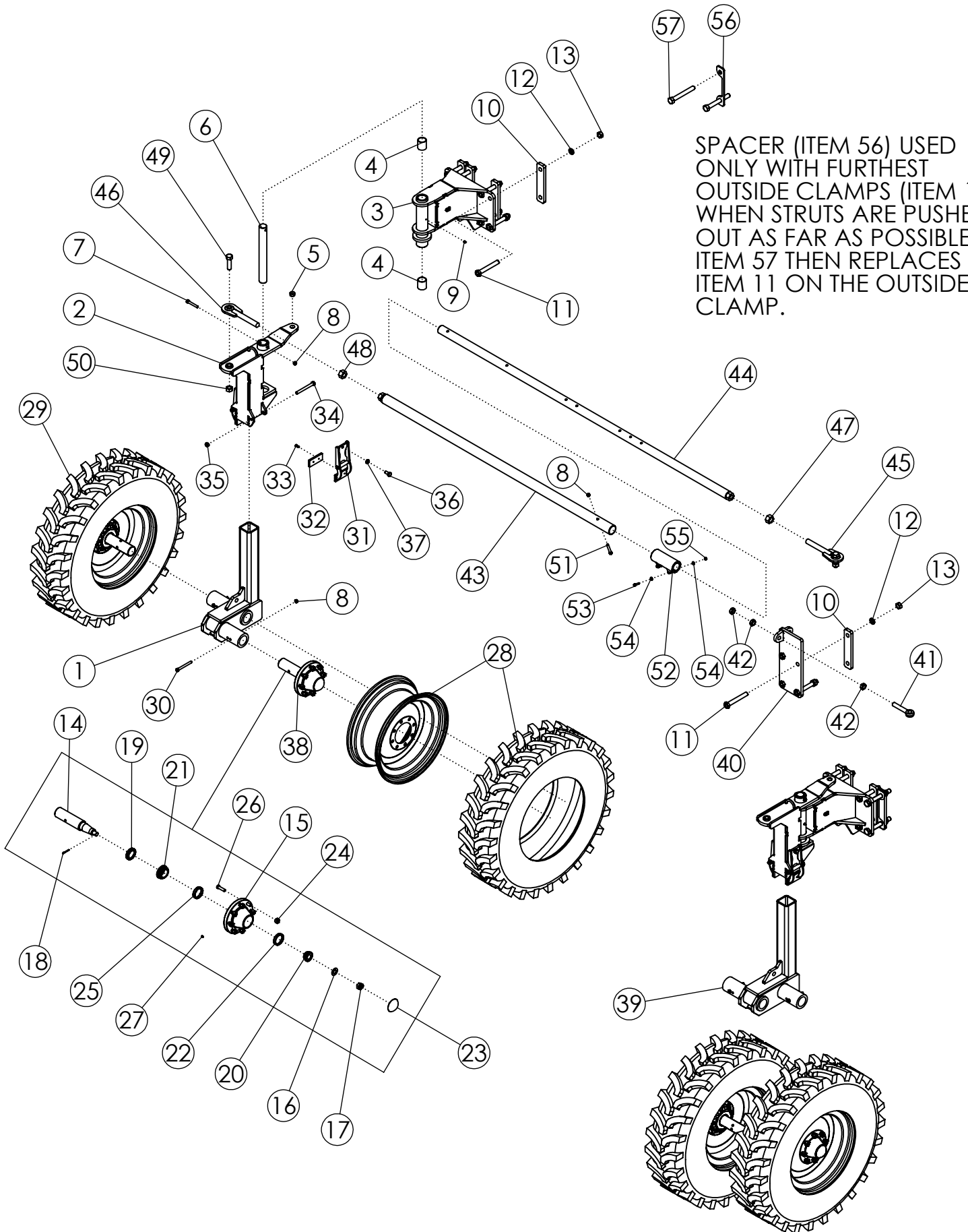


# OFFSET STEERABLE REAR STRUTS 11.2 X 24 22" (306004)

| ITEM | PART NO. | DESCRIPTION                               | QTY |
|------|----------|---|-----|
| 1    | 305279   | WLDMT-SPINDLE HOUSING- 8" OFFSET RH       | 1   |
| 2    | 68237    | WLDMT-STEERABLE STRUT UPPER               | 2   |
| 3    | 305925-1 | WLDMT-PIVOT MOUNT DLS                     | 2   |
| 4    | 59204    | BUSHING-BORED 2.5 X 2.015                 | 4   |
| 5    | 307240   | SPRING BUSHING 1.25 X 1 X 0.75            | 2   |
| 6    | 58274    | SHAFT-STRUT PIVOT                         | 2   |
| 7    | 1011612  | BOLT-HEX: .50 X 3.50 GR5 ZP               | 2   |
| 8    | 1027461  | NUT-TOPLOCK: .50 NC GR5 ZP                | 7   |
| 9    | 1011748  | ZERK-GREASE .25 UNF STRAIGHT              | 2   |
| 10   | 58408    | BAR - BOLTING                             | 10  |
| 11   | 1018839  | BOLT-HEX: 1.00 X 7.00 NC GR8 ZP           | 20  |
| 12   | 1013539  | WASHER-LOCK: 1.00 ZP                      | 20  |
| 13   | 1012664  | NUT-HEX: 1.00 NC GR2 ZP                   | 20  |
| 14   | 52954    | SPINDLE-STANDARD                          | 4   |
| 15   | 53623    | HUB-WHEEL 8 BOLT                          | 4   |
| 16   | 1030728  | WASHER-FLAT: SAE 1.00 ZP GR8              | 4   |
| 17   | 1030726  | NUT-SPINDLE: 1.00 NF NP                   | 4   |
| 18   | 1030797  | PIN-COTTER: .19 X 1.75 NP                 | 4   |
| 19   | 53619    | SEAL 7044-116                             | 4   |
| 20   | 53620    | BEARING CONE-OUTER                        | 4   |
| 21   | 53621    | BEARING CONE-INNER                        | 4   |
| 22   | 53622    | BEARING CUP-INNER                         | 4   |
| 23   | 53624    | CAP-HUB                                   | 4   |
| 24   | 53625    | NUT-WHEEL .625-18NF                       | 32  |
| 25   | 52243    | BEARING CUP-OUTER                         | 4   |
| 26   | 54393    | STUD-HUB BOLT 7600-6                      | 32  |
| 27   | 301490   | SELF TAPPING GREASE FITTING               | 4   |
| 28   | 56986    | TIRE-MNTD: 11.2-24 10 PLY R1 TITAN HTL RH | 2   |
| 29   | 63992    | TIRE-MNTD: 11.2-24 10 PLY R1 TITAN HTL LH | 2   |
| 30   | 1011618  | BOLT-HEX: .50 X 5.00 NC GR5 ZP            | 4   |
| 31   | 69956    | WLDMT- DEF STRUT CLAMP                    | 4   |
| 32   | 69971    | PLASTIC-STRUT CLAMP                       | 4   |
| 33   | 69987    | SCRWE-MACH: FH-TORX 1/4-20 X 1.00         | 8   |
| 34   | 1013068  | BOLT-HEX: .63 X 6.00 NC GR5 ZP            | 4   |
| 35   | 1016595  | NUT-TOPLOCK: .63 NC GR5 ZP                | 4   |
| 36   | 1030703  | BOLT-HEX: .63 X 1.25 NF GR5 ZP            | 4   |

CONTINUED

# OFFSET STEERABLE REAR STRUTS 11.2 X 24 22" (306004)

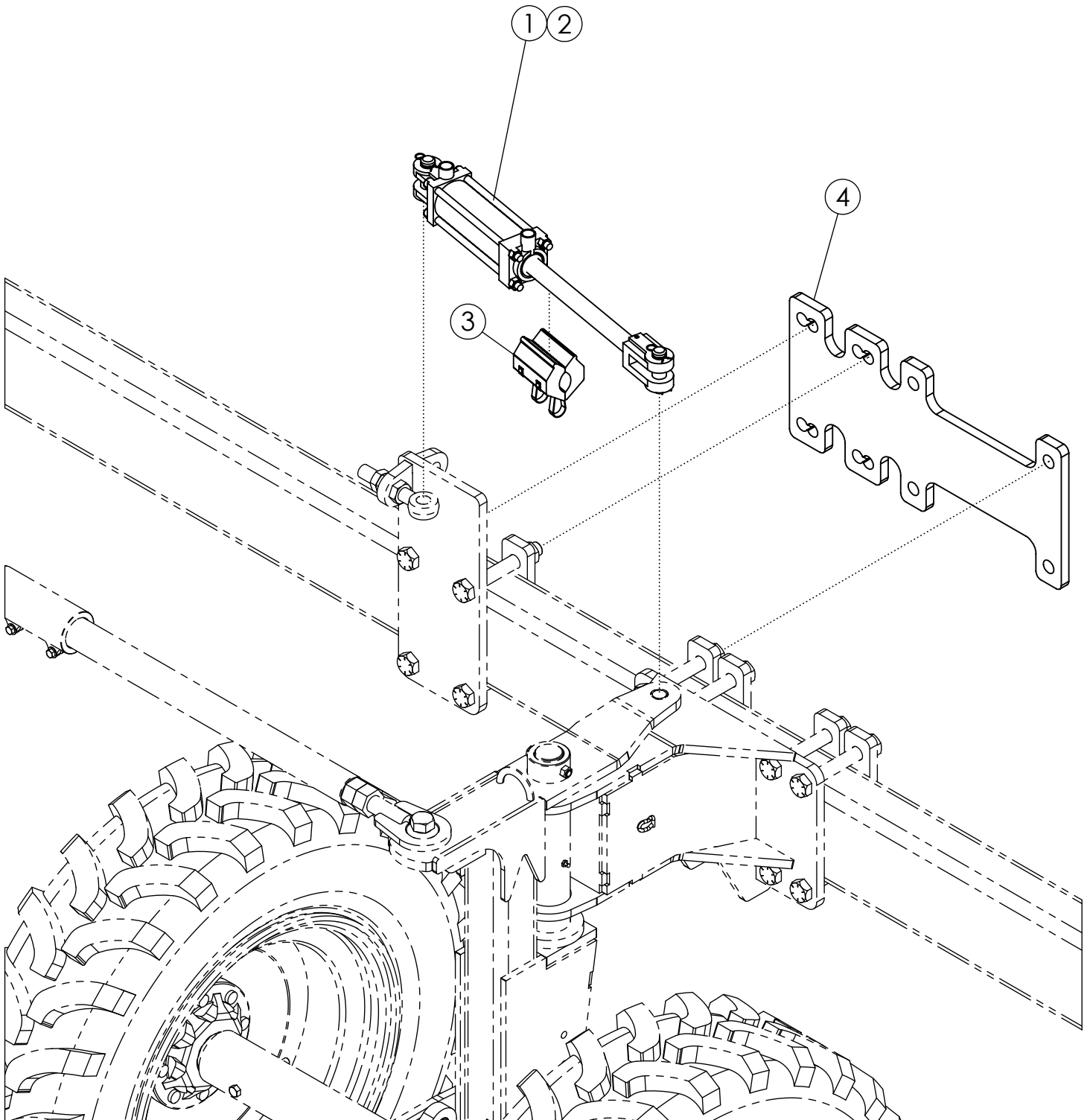


# OFFSET STEERABLE REAR STRUTS 11.2 X 24 22" (306004) (CONTINUED)

| ITEM | PART NO. | DESCRIPTION                         | QTY |
|------|----------|-------------------------------------|-----|
| 37   | 66336    | NUT-JAM: .63 NF GR2 ZP              | 4   |
| 38   | 53167    | ASSY-HUB & SPINDLE: 8 BOLT W/ZERK   | 4   |
| 39   | 305280   | WLDMT-SPINDLE HOUSING- 8" OFFSET LH | 1   |
| 40   | 306732   | WLDMT-CYLINDER BRACKET ADJ          | 1   |
| 41   | 62081    | BOLT-EYEBOLT: 1.00 X 6.00 ZP GR8    | 1   |
| 42   | 1026880  | NUT-JAM: 1.00 NC GR2 ZP             | 3   |
| 43   | 306577   | WLDMT-TIE ROD 85" FEMALE            | 1   |
| 44   | 306581   | WLDMT-TIE ROD 107" MALE             | 1   |
| 45   | 58186    | WLDMT-TIE ROD END RH                | 1   |
| 46   | 58203    | WLDMT-TIE ROD END LH                | 1   |
| 47   | 1011621  | NUT-HEX: 1.25 NC GR2 ZP RH          | 1   |
| 48   | 1030729  | NUT-HEX: 1.25 NC GR2 ZP LH          | 1   |
| 49   | 1011626  | BOLT-HEX: 1.00 X 3.50 NC GR5 ZP     | 2   |
| 50   | 1016969  | NUT-TOPLOCK: 1.00 NC GR8 ZP         | 2   |
| 51   | 1017719  | BOLT-HEX: .50 X 3.25 NC GR5 ZP      | 1   |
| 52   | 306579   | WLDMT-TIE ROD CLAMP                 | 1   |
| 53   | 1011602  | BOLT-HEX: .38 X 1.50 NC GR5 ZP      | 2   |
| 54   | 1014608  | WASHER-FLAT: SAE .38 ZP             | 4   |
| 55   | 1016999  | NUT-TOPLOCK: .38 NC GR5 ZP          | 2   |
| 56   | 307866   | PLATE-STRUT SPACER SPECIAL .375     | 2   |
| 57   | 1030725  | BOLT-HEX: 1.0 x 8.00 NC GR5 ZP      | 4   |

# STANDARD STEERING (305976)

REFER TO MACHINE SPECIFIC HYDRAULICS  
MANUALS FOR FITTINGS, HOSES, ETC.



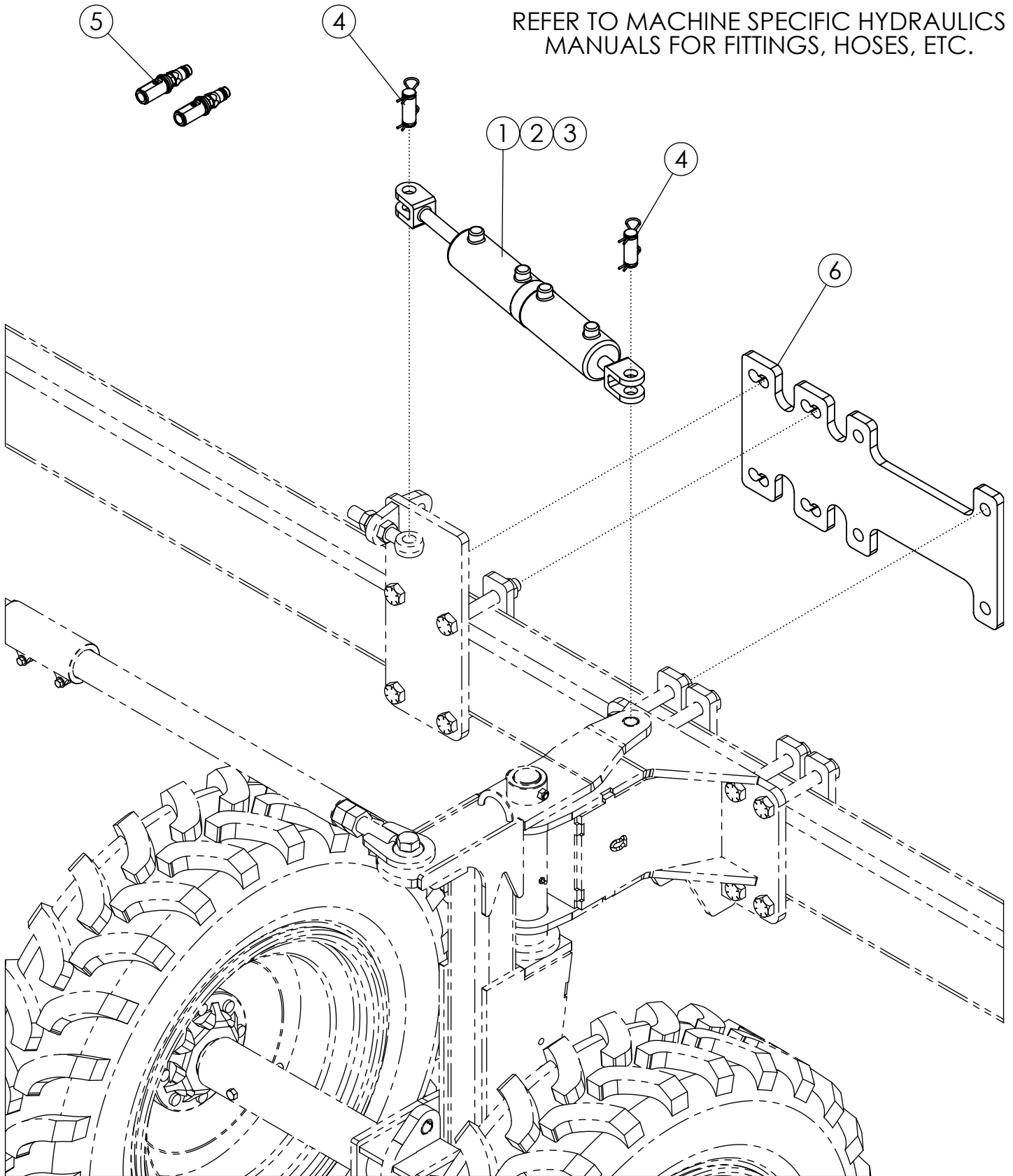
# STANDARD STEERING (305976)

---

| ITEM | PART NO. | DESCRIPTION                       | QTY |
|------|----------|-----------------------------------|-----|
| 1    | 58891    | CYLINDER-HYDRAULIC 4 X 8" 3000    | 1   |
| 2    | 301315   | SEAL KT-CYL 4 X 8, 4 X 10 3000PSI |     |
| 3    | 65326    | STOP-CYLINDER 4" (SILVER)         | 1   |
| 4    | 307195   | PLATE-STEERING DOGBONE UNIVERSAL  | 1   |

# CENTERING STEERING (305996)

REFER TO MACHINE SPECIFIC HYDRAULICS  
MANUALS FOR FITTINGS, HOSES, ETC.

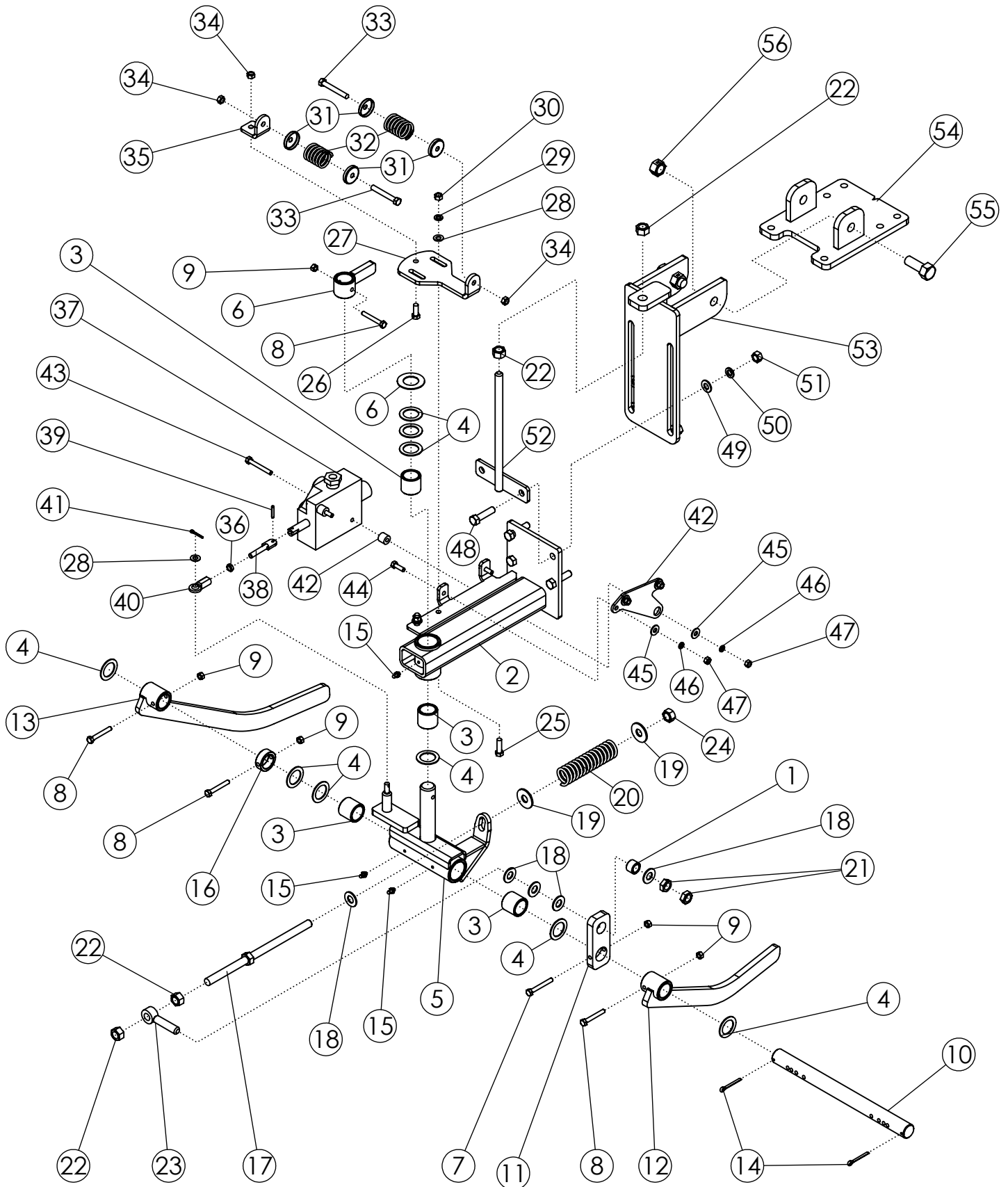


# CENTERING STEERING (305996)

---

| ITEM | PART NO. | DESCRIPTION                                 | QTY |
|------|----------|---|-----|
| 1    | 69200    | CYLINDER-HYD 3X4 4PORT 24.5 CLOSED          | 1   |
| 2    | 305293   | KT-CYLINDER SEALS (62344/69200) (RAM INDUS) |     |
| 3    | 307800   | KT-CYLINDER SEALS (62344/69200) (CTD)       |     |
| 4    | 69167    | PIN-CYLINDER W/CLIPS 1.00 X 2.25            | 2   |
| 5    | 304187   | ASSY-TRACTOR HYD COUPLERS (BLUE)            | 1   |
| 6    | 307195   | PLATE-STEERING DOGBONE UNIVERSAL            | 1   |

# ROWFINDER ASSEMBLY (306865)

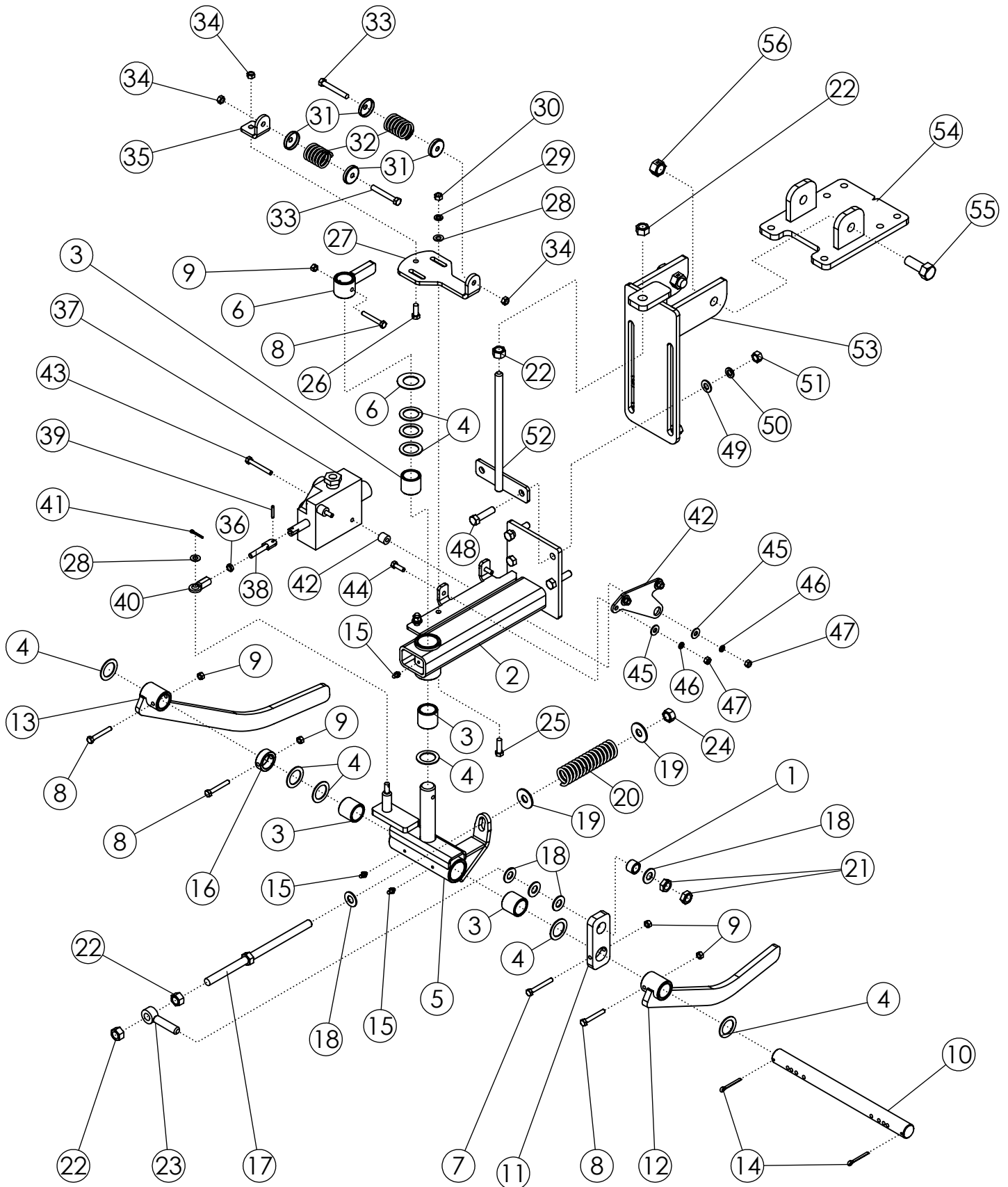


# ROWFINDER ASSEMBLY (306865)

| ITEM | PART NO. | DESCRIPTION                            | QTY |
|------|----------|--|-----|
| 1    | 52567    | BUSHING-ZP                             | 1   |
| 2    | 62519    | WLDMT-ROW FINDER MAIN FRAME            | 1   |
| 3    | 56939    | BUSHING-OILITE: 1.25 X 1.625 X 1.50L   | 4   |
| 4    | 55206    | BUSHING-MACH: 1.25 NR 14GA NP          | 9   |
| 5    | 56950    | WLDMT - SWIVEL                         | 1   |
| 6    | 51130    | WLDMT-FLIPPER                          | 1   |
| 7    | 301748   | BOLT-HEX: .31 X 2.50 NC GR8 ZP         | 1   |
| 8    | 301258   | BOLT-HEX: .31 X 2.25 NC GR8 ZP         | 4   |
| 9    | 301749   | NUT-TOPLOCK: .31 NC GR8 ZP             | 5   |
| 10   | 51690    | SHAFT-ROW FINDER ZP                    | 1   |
| 11   | 52566    | TENSIONER ARM                          | 1   |
| 12   | 51131    | WLDMT-SENSOR ARM LH                    | 1   |
| 13   | 52564    | WLDMT-SENSOR ARM RH                    | 1   |
| 14   | 1030797  | PIN-COTTER: .19 X 1.75 NP              | 2   |
| 15   | 1011748  | ZERK-GREASE .25 UNF STRAIGHT           | 3   |
| 16   | 51137    | COLLAR                                 | 1   |
| 17   | 52565    | ADJUSTMENT BOLT                        | 1   |
| 18   | 1013004  | WASHER-FLAT: SAE .63 ZP                | 5   |
| 19   | 1013024  | WASHER-FLAT: .63 ZP                    | 2   |
| 20   | 51692    | SPRING: .207 X 1.4375 OD X 6" 15 COILS | 1   |
| 21   | 1026259  | NUT-JAM: .63 NC GR2 ZP                 | 2   |
| 22   | 1011578  | NUT-HEX: .63 NC GR2 ZP                 | 4   |
| 23   | 51691    | EYEBOLT .63 X 3.25 ZP                  | 1   |
| 24   | 1016595  | NUT-TOPLOCK: .63 NC GR5 ZP             | 1   |
| 25   | 1011601  | BOLT-HEX: .38 X 1.25 NC GR5 ZP         | 2   |
| 26   | 1011600  | BOLT-HEX: .38 X 1.00 NC GR5 ZP         | 1   |
| 27   | 51129    | PLATE-ADJUSTMENT                       | 1   |
| 28   | 1014608  | WASHER-FLAT: SAE .38 ZP                | 3   |
| 29   | 1011586  | WASHER-LOCK: .38 ZP                    | 2   |
| 30   | 1011576  | NUT-HEX: .38 NC GR2 ZP                 | 2   |
| 31   | 52582    | SPRING CAP                             | 4   |
| 32   | 51689    | SPRING-ROW FINDER PAINTED              | 2   |
| 33   | 1019828  | BOLT-HEX: .38 X 2.75 NC GR5 ZP         | 2   |
| 34   | 1016999  | NUT-TOPLOCK: .38 NC GR5 ZP             | 3   |
| 35   | 51128    | SPRING PLATE                           | 1   |
| 36   | 1030792  | NUT-JAM: .38 NF GR2 ZP                 | 1   |

CONTINUED

# ROWFINDER ASSEMBLY (306865)

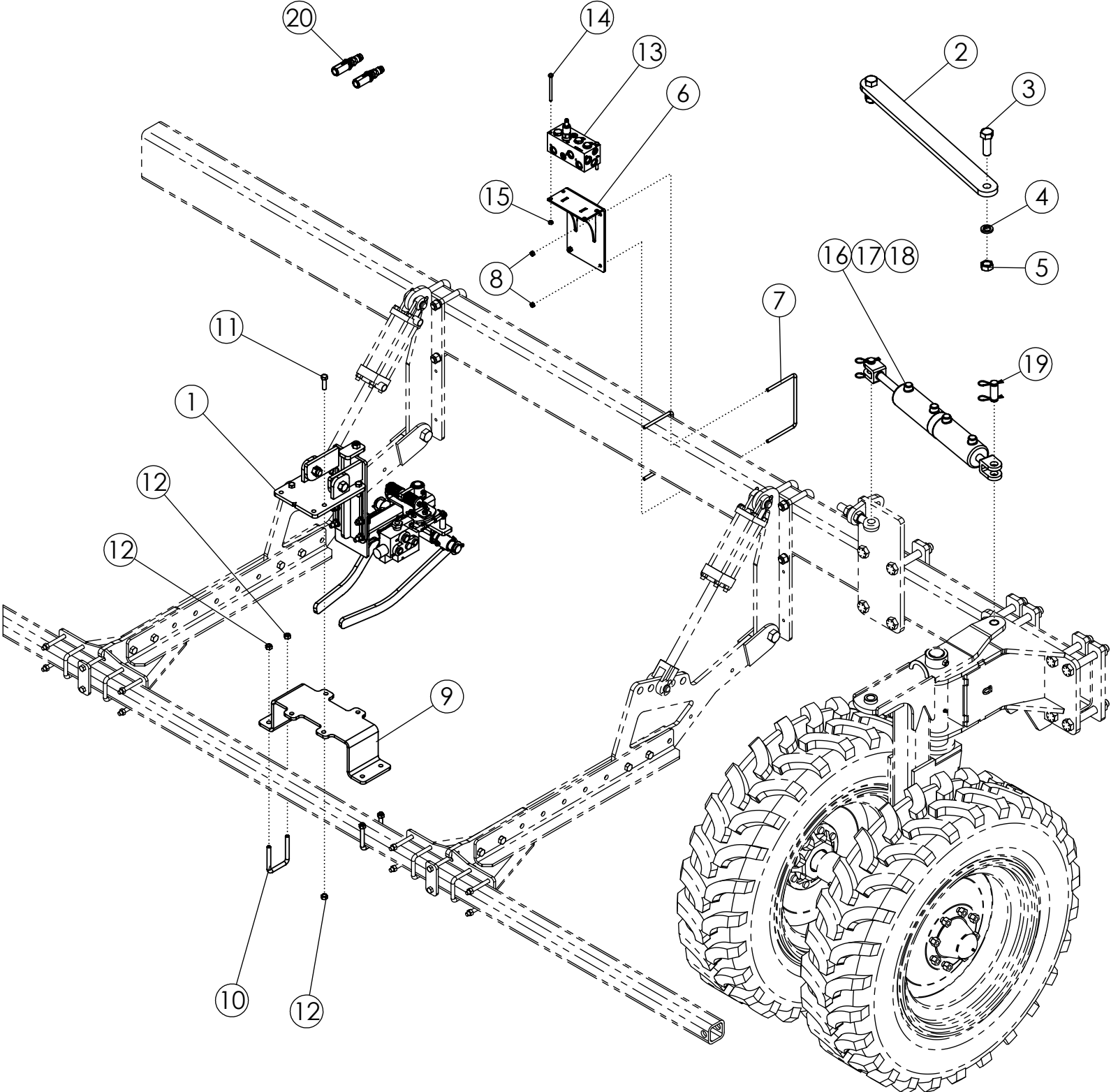


# ROWFINDER ASSEMBLY (306865) (CONTINUED)

| ITEM | PART NO. | DESCRIPTION                        | QTY |
|------|----------|------------------------------------|-----|
| 37   | 306698   | VALVE-ROWFINDER POWER BEYOND       | 1   |
| 38   | 301750   | WLDMT-STUD RF LONG ZP              | 1   |
| 39   | 64157    | PIN-ROLL: .19 X 1.125 ZP           | 1   |
| 40   | 51136    | UNIBALL COUPLING                   | 1   |
| 41   | 1029137  | PIN-COTTER: .13X 1.00 ZP           | 1   |
| 42   | 306854   | WLDMT-R/F MNT PB                   | 1   |
| 43   | 1027258  | BOLT-HEX: .31 X 2.50 NC GR5 ZP     | 2   |
| 44   | 1011598  | BOLT-HEX: .31 X 1.00 NC GR5 ZP     | 2   |
| 45   | 1011583  | WASHER-FLAT: .31 ZP                | 4   |
| 46   | 1029115  | WASHER-LOCK: .31 ZP                | 4   |
| 47   | 1011575  | NUT-HEX: .31 NC GR2 ZP             | 4   |
| 48   | 1011609  | BOLT-HEX: .50 X 2.00 NC GR5 ZP     | 4   |
| 49   | 1011584  | WASHER-FLAT: SAE .50 ZP            | 4   |
| 50   | 1011581  | WASHER-LOCK: .50 ZP                | 4   |
| 51   | 1011577  | NUT-HEX: .50 NC GR2 ZP             | 4   |
| 52   | 62882    | WLDMT-TIGHTENER 11.125" ZP         | 1   |
| 53   | 52181    | WLDMT-BRACKET                      | 1   |
| 54   | 301662   | WLDMT-ROW FINDER BRACKET UNIVERSAL | 1   |
| 55   | 1012060  | BOLT-HEX: .75 X 2.00 NC GR5 ZP     | 2   |
| 56   | 1013537  | NUT-CENTERLOCK: .75 NC ZP          | 2   |

# ROWFINDER SCALPER MOUNT (305998/307541)

ITEMS 2-5  
TRANSPORT  
ONLY



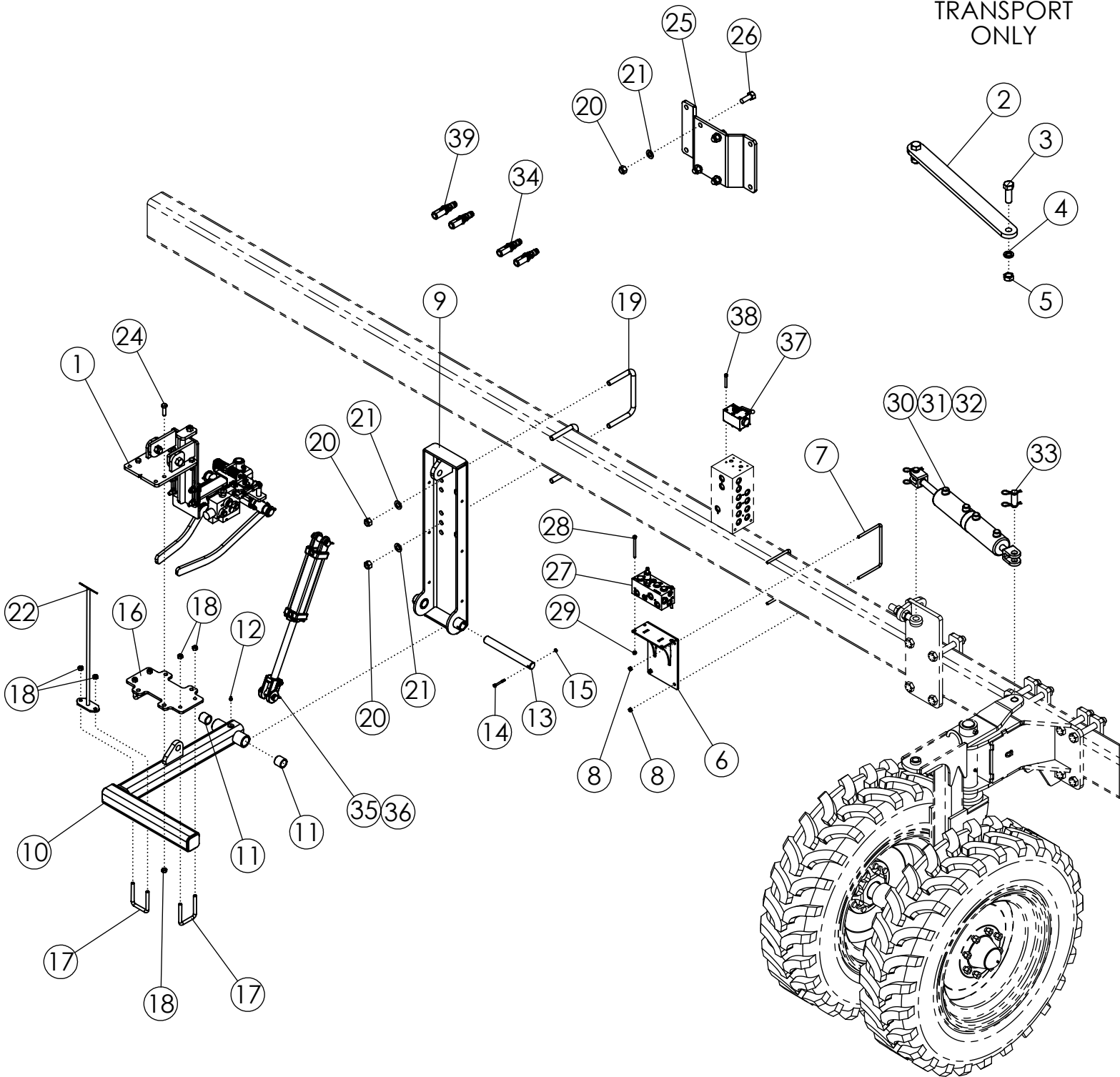
# ROWFINDER SCALPER MOUNT (305998/307541)

| ITEM | PART NO. | DESCRIPTION                                 | QTY |
|------|----------|---|-----|
| 1    | 306865   | ASSY-ROW FINDER DEF (LESS CYL & HOSES)      | 1   |
| 2    | 306284   | BAR-DEF STEERABLE TRANSPORT                 | 1   |
| 3    | 1018007  | BOLT-HEX: 1.0 X 3.00 NC GR5 ZP              | 2   |
| 4    | 1013539  | WASHER-LOCK: 1.00 ZP                        | 2   |
| 5    | 1012664  | NUT-HEX: 1.00 NC GR2 ZP                     | 2   |
| 6    | 69996    | WLDMT-DEF RF VALVE MNT                      | 1   |
| 7    | 64244    | U-BOLT: .375 X 5.125 X 8.063 X 5.125        | 2   |
| 8    | 1016999  | NUT-TOPLOCK: .38 NC GR5 ZP                  | 4   |
| 9    | 70021    | PLATE-DEF RF MOUNT (1 ROW)                  | 1   |
| 10   | 69954    | U-BOLT: .500 X 4.00 X 3 X 4.00              | 2   |
| 11   | 1011608  | BOLT-HEX: .50 X 1.75 NC GR5 ZP              | 4   |
| 12   | 1027461  | NUT-TOPLOCK: .50 NC GR5 ZP                  | 8   |
| 13   | 69999    | VALVE-DEF RF RETURN                         | 1   |
| 14   | 1030778  | BOLT-HEX .313 X 4.00 NC GR5 ZP              | 2   |
| 15   | 1030700  | NUT-TOPLOCK: .31 NC GR5 ZP                  | 2   |
| 16   | 69200    | CYLINDER-HYD 3X4 4PORT 24.5 CLOSED          | 1   |
| 17   | 305923   | KT-CYLINDER SEALS (62344/69200) (RAM INDUS) |     |
| 18   | 307800   | KT-CYLINDER SEALS (62344/69200) (CTD)       |     |
| 19   | 69167    | PIN-CYLINDER W/CLIPS 1.00 X 2.25            | 2   |
| 20   | 304187   | ASSY-TRACTOR HYD COUPLERS (BLUE)            | 1   |

# ROWFINDER FRAME MOUNT (305999/307542)

ITEM 25 USED ONLY  
IF CENTER MOUNTED

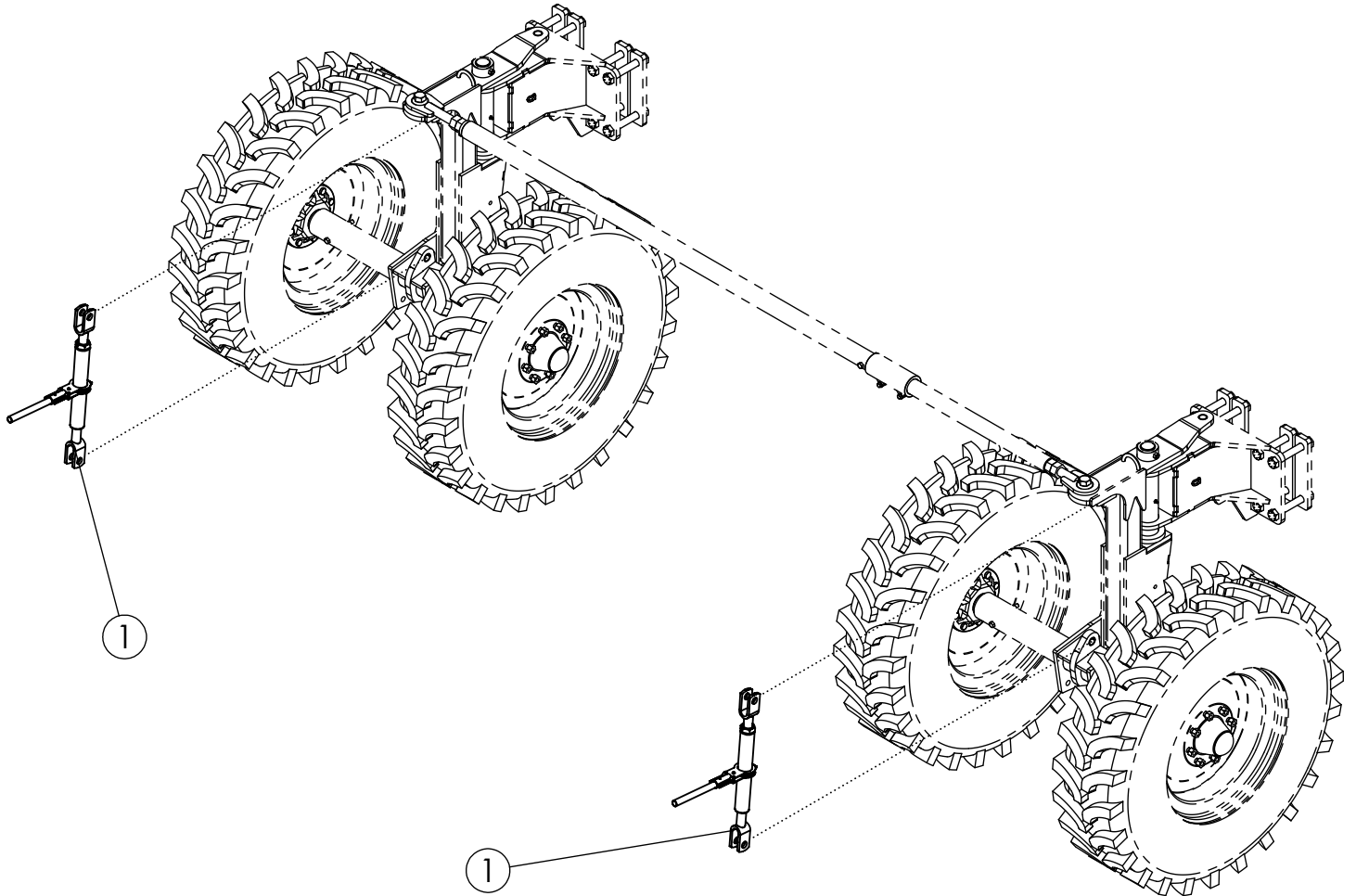
ITEMS 2-5  
TRANSPORT ONLY



# ROWFINDER FRAME MOUNT (305999/307542)

| ITEM | PART NO. | DESCRIPTION                                 | QTY |
|------|----------|---|-----|
| 1    | 306865   | ASSY-ROW FINDER DEF (LESS CYL & HOSES)      | 1   |
| 2    | 306284   | BAR-DEF STEERABLE TRANSPORT                 | 1   |
| 3    | 1018007  | BOLT-HEX: 1.0 X 3.00 NC GR5 ZP              | 2   |
| 4    | 1013539  | WASHER-LOCK: 1.00 ZP                        | 2   |
| 5    | 1012664  | NUT-HEX: 1.00 NC GR2 ZP                     | 2   |
| 6    | 69996    | WLDMT-DEF RF VALVE MNT                      | 1   |
| 7    | 64244    | U-BOLT: .375 X 5.125 X 8.063 X 5.125        | 2   |
| 8    | 1016999  | NUT-TOPLOCK: .38 NC GR5 ZP                  | 4   |
| 9    | 305057   | WLDMT-ROW FINDER MOUNT UPPER                | 1   |
| 10   | 305058-1 | WLDMT-ROW FINDER LOWER                      | 1   |
| 11   | 56939    | BUSHING-OILITE: 1.25 X 1.625 X 1.50L        | 2   |
| 12   | 1011748  | ZERK-GREASE .25 UNF STRAIGHT                | 1   |
| 13   | 305053   | SHAFT-ROW FINDER                            | 1   |
| 14   | 1013942  | BOLT-HEX: .25 X 2.25 NC GR5                 | 1   |
| 15   | 1030946  | NUT-TOPLOCK: .25 NC GR5 ZP                  | 1   |
| 16   | 305056   | PLATE-DEF FR MOUNT (1 ROW)                  | 1   |
| 17   | 69954    | U-BOLT: .500 X 4.00 X 3 X 4.00              | 3   |
| 18   | 1027461  | NUT-TOPLOCK: .50 NC GR5 ZP                  | 10  |
| 19   | 56263    | U-BOLT: .75 X 5.5 X 8 X 5.5                 | 2   |
| 20   | 1017000  | NUT-TOPLOCK: .75 NC GR5 ZP                  | 8   |
| 21   | 1012634  | WASHER-FLAT: SAE .75 ZP                     | 8   |
| 22   | 305410   | WLDMT-INDICATOR RF FRAME MOUNT              | 1   |
| 23   | 65332    | DECAL-RED ORANGE FLUORESCENT (NOT SHOWN)    | 1   |
| 24   | 1011608  | BOLT-HEX: .50 X 1.75 NC GR5 ZP              | 4   |
| 25   | 305547   | PLATE-CENTER MOUNT RF                       | 1   |
| 26   | 1012060  | BOLT-HEX: .75 X 2.00 NC GR5 ZP              | 4   |
| 27   | 69999    | VALVE-DEF RF RETURN                         | 1   |
| 28   | 1030778  | BOLT-HEX .313 X 4.00 NC GR5 ZP              | 2   |
| 29   | 1030700  | NUT-TOPLOCK: .31 NC GR5 ZP                  | 2   |
| 30   | 69200    | CYLINDER-HYD 3X4 4PORT 24.5 CLOSED          | 1   |
| 31   | 305923   | KT-CYLINDER SEALS (62344/69200) (RAM INDUS) |     |
| 32   | 307800   | KT-CYLINDER SEALS (62344/69200) (CTD)       |     |
| 33   | 69167    | PIN-CYLINDER W/CLIPS 1.00 X 2.25            | 2   |
| 34   | 304187   | ASSY-TRACTOR HYD COUPLERS (BLUE)            | 1   |
| 35   | 321936   | CYLINDER 2 X 8                              | 1   |
| 36   | 321943   | 2NI SEAL KT (PRINCE)                        |     |
| 37   | 306028   | VALVE-BALL MANIFOLD MOUNT                   | 1   |
| 38   | 306097   | BOLT-SHCS .31 X 2.25 NC ZP                  | 6   |
| 39   | 304188   | ASSY-TRACTOR HYD COUPLERS (GREEN)           | 1   |

# REAR LIFT RATCHET JACK (307635)

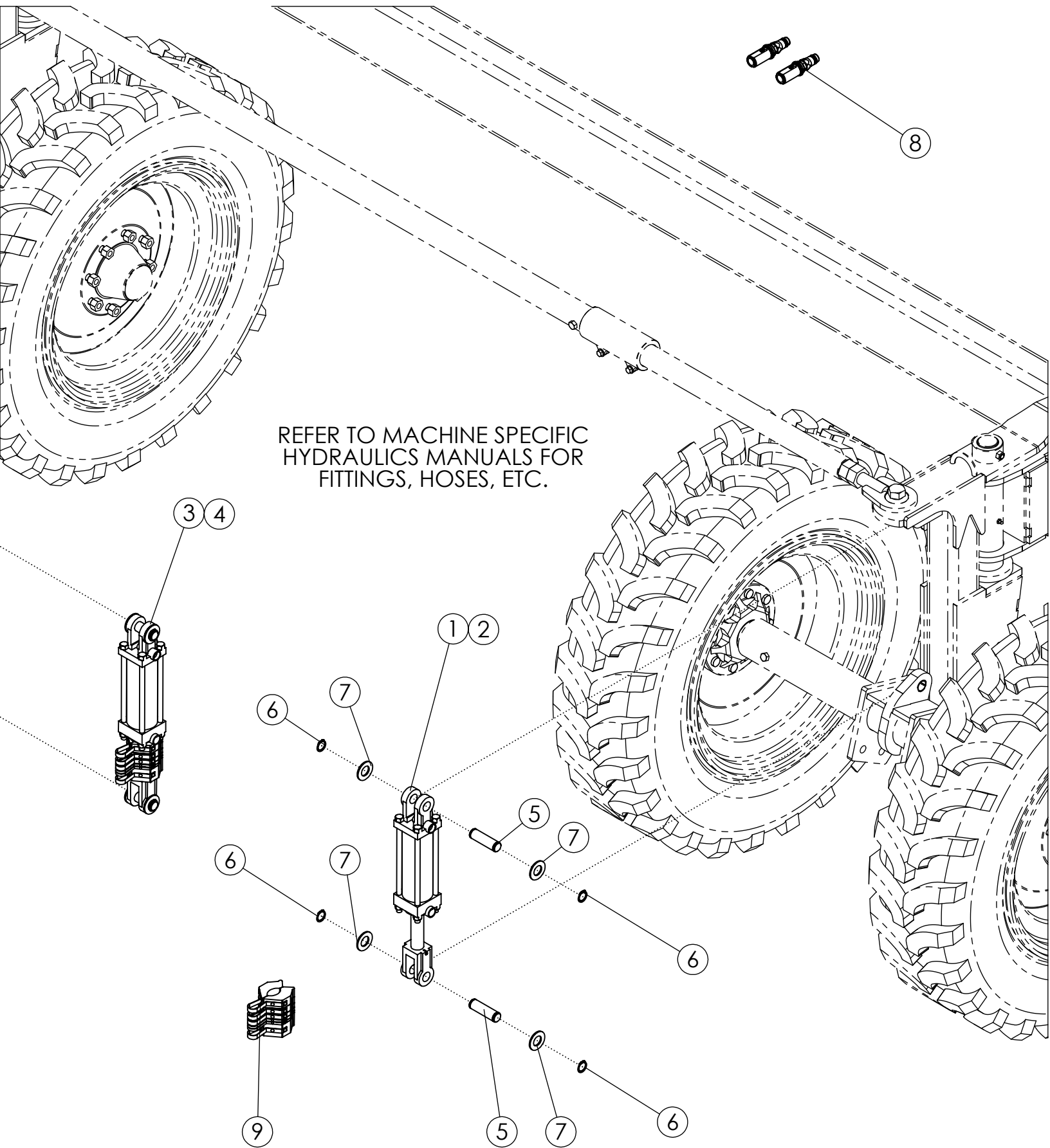


# REAR LIFT RATCHET JACK (307635)

---

| ITEM | PART NO. | DESCRIPTION                | QTY |
|------|----------|----------------------------|-----|
| 1    | 52407    | RATCHET JACK PAINTED BLACK | 2   |

# REAR STRUT HYDRAULICS (306011)

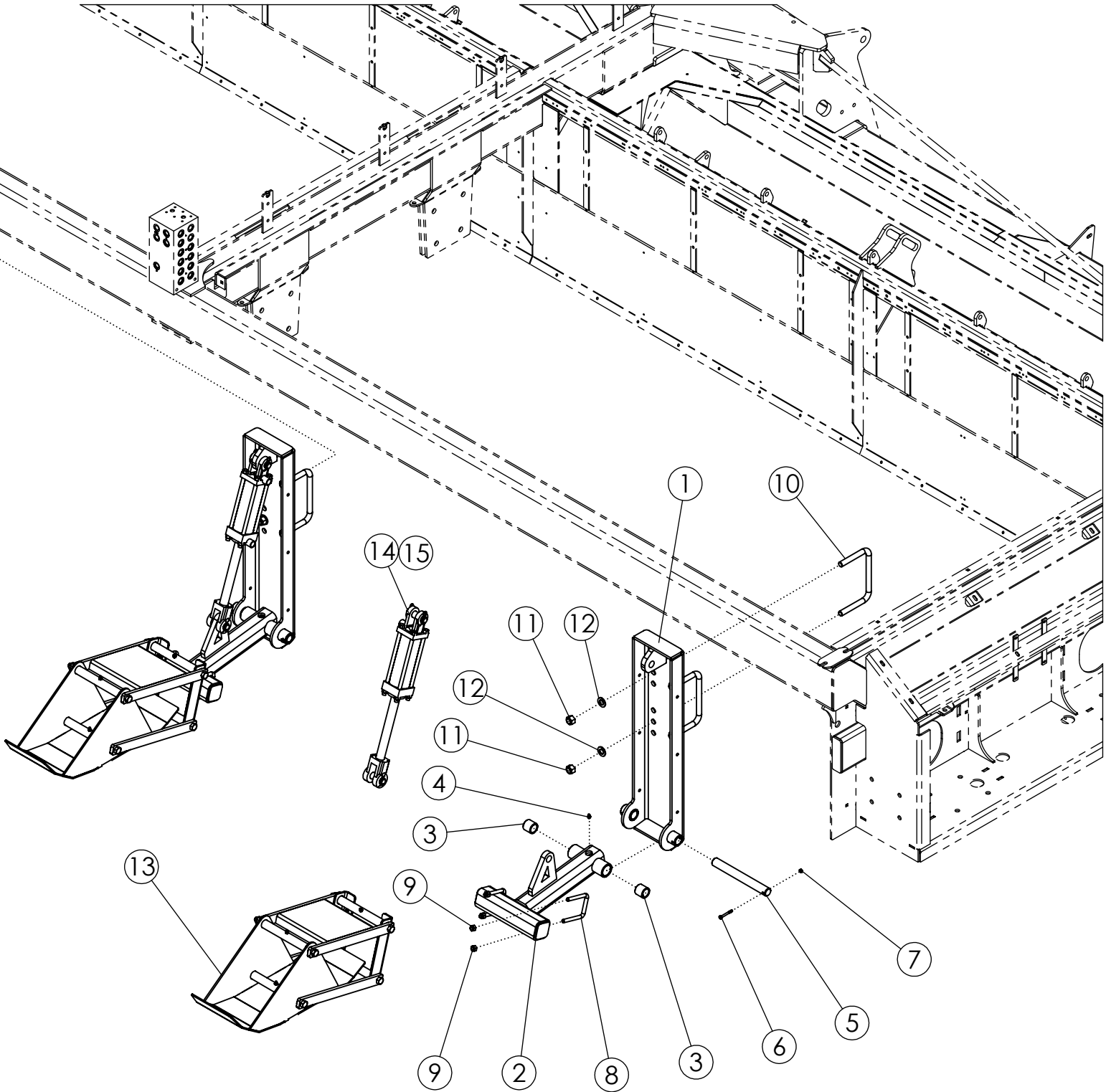


# REAR STRUT HYDRAULICS (306011)

---

| ITEM | PART NO. | DESCRIPTION                            | QTY |
|------|----------|--|-----|
| 1    | 63499    | CYLINDER-REPHASING 3.00 X 8.00         | 1   |
| 2    | 301314   | SEAL KT-CYL 3 X 8 3000PSI              |     |
| 3    | 63500    | CYLINDER-REPHASING 3.25 X 8.00         | 1   |
| 4    | 66083    | SEAL KT-CYL.: 3.25 X 8.0 IN #1026895   |     |
| 5    | 311191   | PIN-CYLINDER 1.00 X 3.03" W/ GROOVE ZP | 4   |
| 6    | 36430    | RING-RETAINING 1.000 ZP                | 8   |
| 7    | 1016663  | WASHER-FLAT: SAE 1.00 ZP               | 8   |
| 8    | 304190   | ASSY-TRACTOR HYD COUPLERS (SILVER)     | 1   |
| 9    | 51497    | KT-CYLINDER STOP                       | 2   |

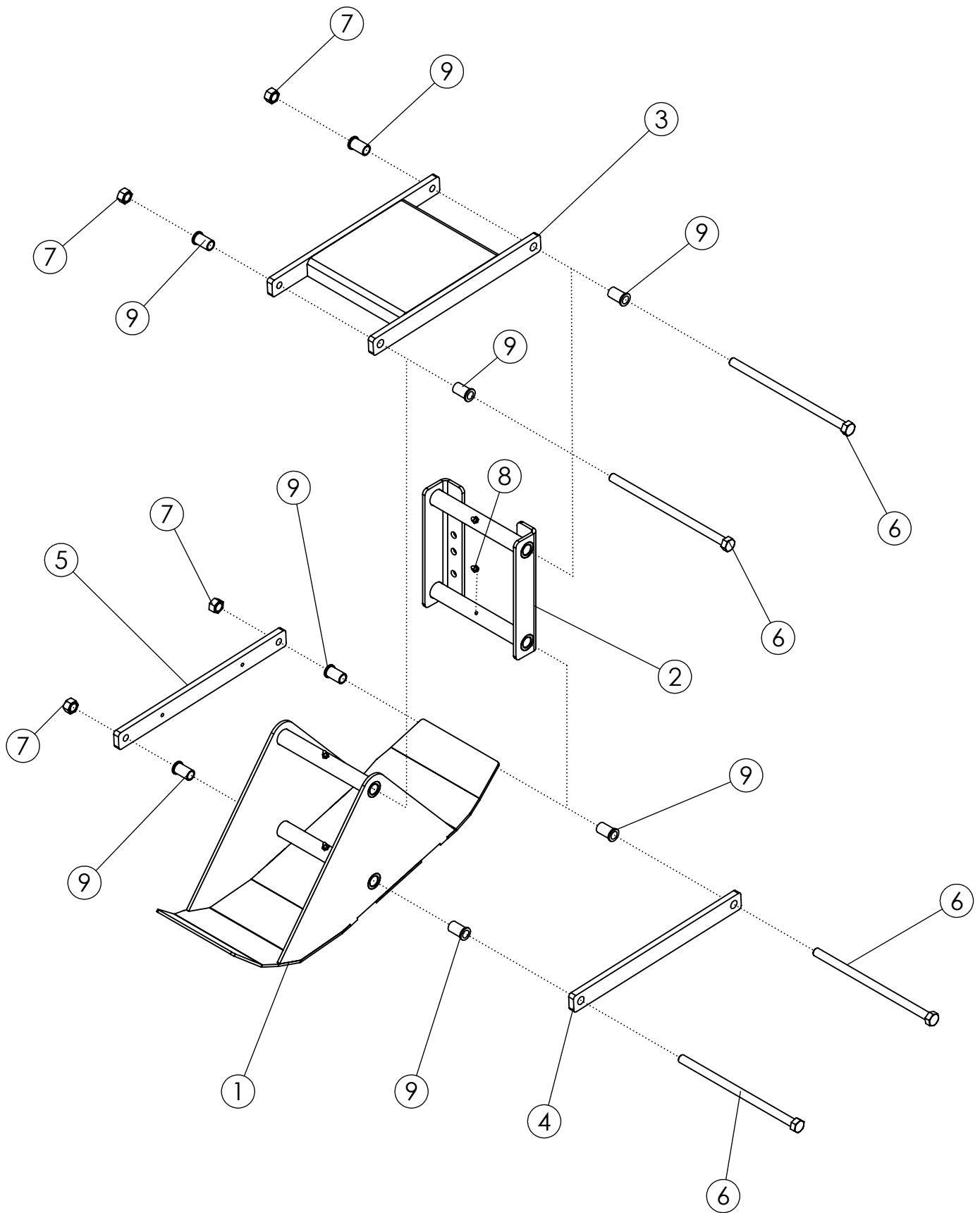
# AHC FRAME MOUNT (307248)



# AHC FRAME MOUNT (307248)

| ITEM | PART NO. | DESCRIPTION                          | QTY |
|------|----------|--------------------------------------|-----|
| 1    | 305057   | WLDMT-ROW FINDER MOUNT UPPER         | 2   |
| 2    | 305587   | WLDMT- AHC MOUNT                     | 2   |
| 3    | 56939    | BUSHING-OILITE: 1.25 X 1.625 X 1.50L | 4   |
| 4    | 1011748  | ZERK-GREASE .25 UNF STRAIGHT         | 2   |
| 5    | 305053   | SHAFT-ROW FINDER                     | 2   |
| 6    | 1013942  | BOLT-HEX: .25 X 2.25 NC GR5          | 2   |
| 7    | 1030946  | NUT-TOPLOCK: .25 NC GR5 ZP           | 2   |
| 8    | 69954    | U-BOLT: .500 X 4.00 X 3 X 4.00       | 4   |
| 9    | 1027461  | NUT-TOPLOCK: .50 NC GR5 ZP           | 8   |
| 10   | 56263    | U-BOLT: .75 X 5.5 X 8 X 5.5          | 4   |
| 11   | 1017000  | NUT-TOPLOCK: .75 NC GR5 ZP           | 8   |
| 12   | 1012634  | WASHER-FLAT: SAE .75 ZP              | 8   |
| 13   | 306887   | ASSY-AHC SKID                        | 2   |
| 14   | 58890    | CYLINDER-HYDRAULIC 3 X 8" 3000       | 2   |
| 15   | 301314   | SEAL KT-CYL 3 X 8 3000PSI            |     |

# AHC SKID ASSEMBLY (306887)

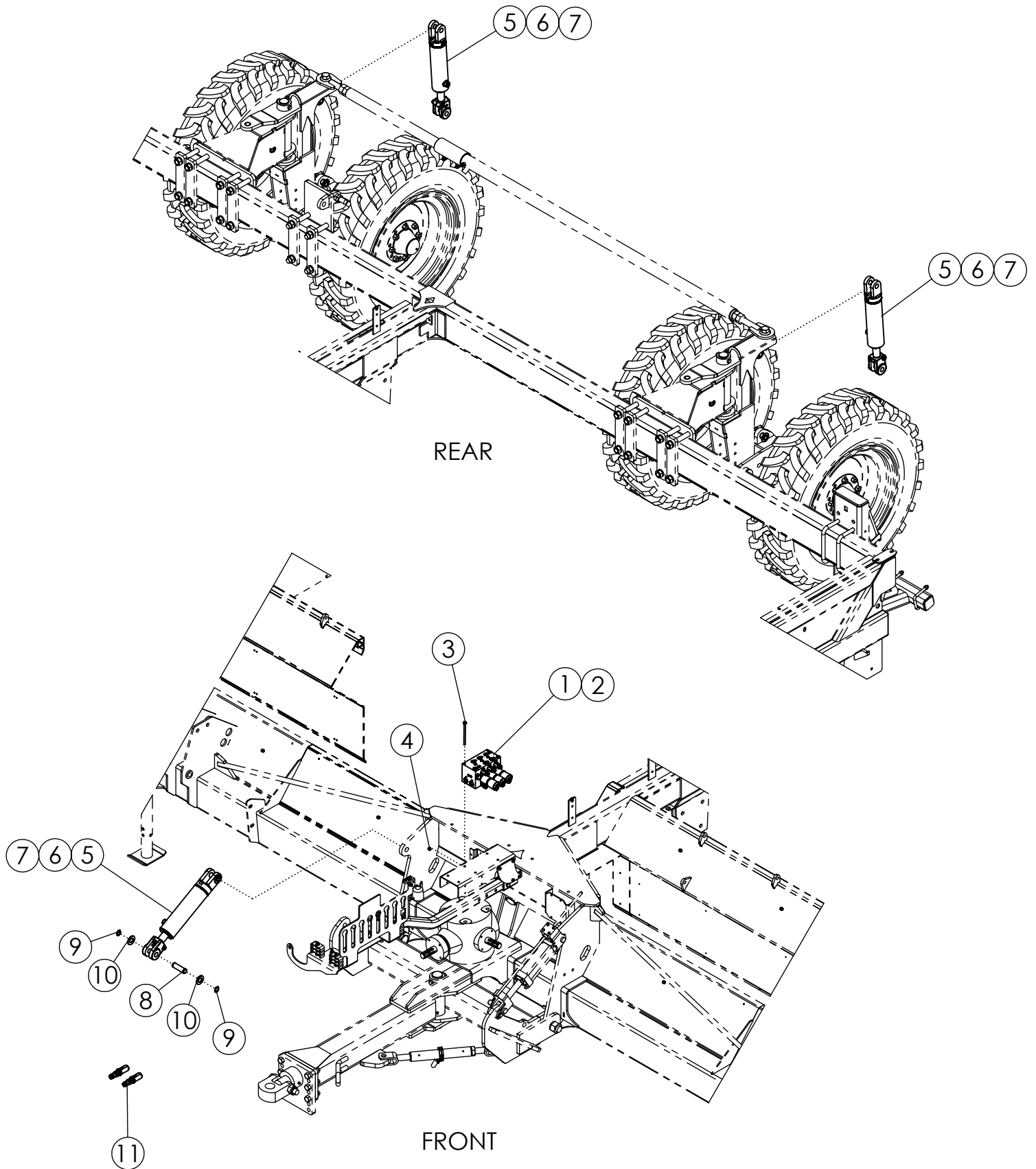


# AHC SKID ASSEMBLY (306887)

---

| ITEM | PART NO. | DESCRIPTION                           | QTY |
|------|----------|---------------------------------------|-----|
| 1    | 305593   | WLDMT- AHC SKID                       | 1   |
| 2    | 63551    | WLDMT-BASKET MOUNT                    | 1   |
| 3    | 306849   | WLDMT-UPPER PARALLEL LINK AHC         | 1   |
| 4    | 63555    | BAR-PARALLEL LINK PAINTED             | 1   |
| 5    | 306848   | BAR-PARALLEL LINK AHC THREADED PC     | 1   |
| 6    | 306752   | BOLT-HEX: .63 X 11.94 NC GR5 ZP       | 4   |
| 7    | 59316    | NUT-CENTERLOCK: .625 NC GR5 ZP        | 4   |
| 8    | 1011748  | ZERK-GREASE .25 UNF STRAIGHT          | 4   |
| 9    | 306080   | BUSHING-FLANGE: .628 X .816 X 1.4375L | 8   |

# AHC BASE COMPONENTS (307380)

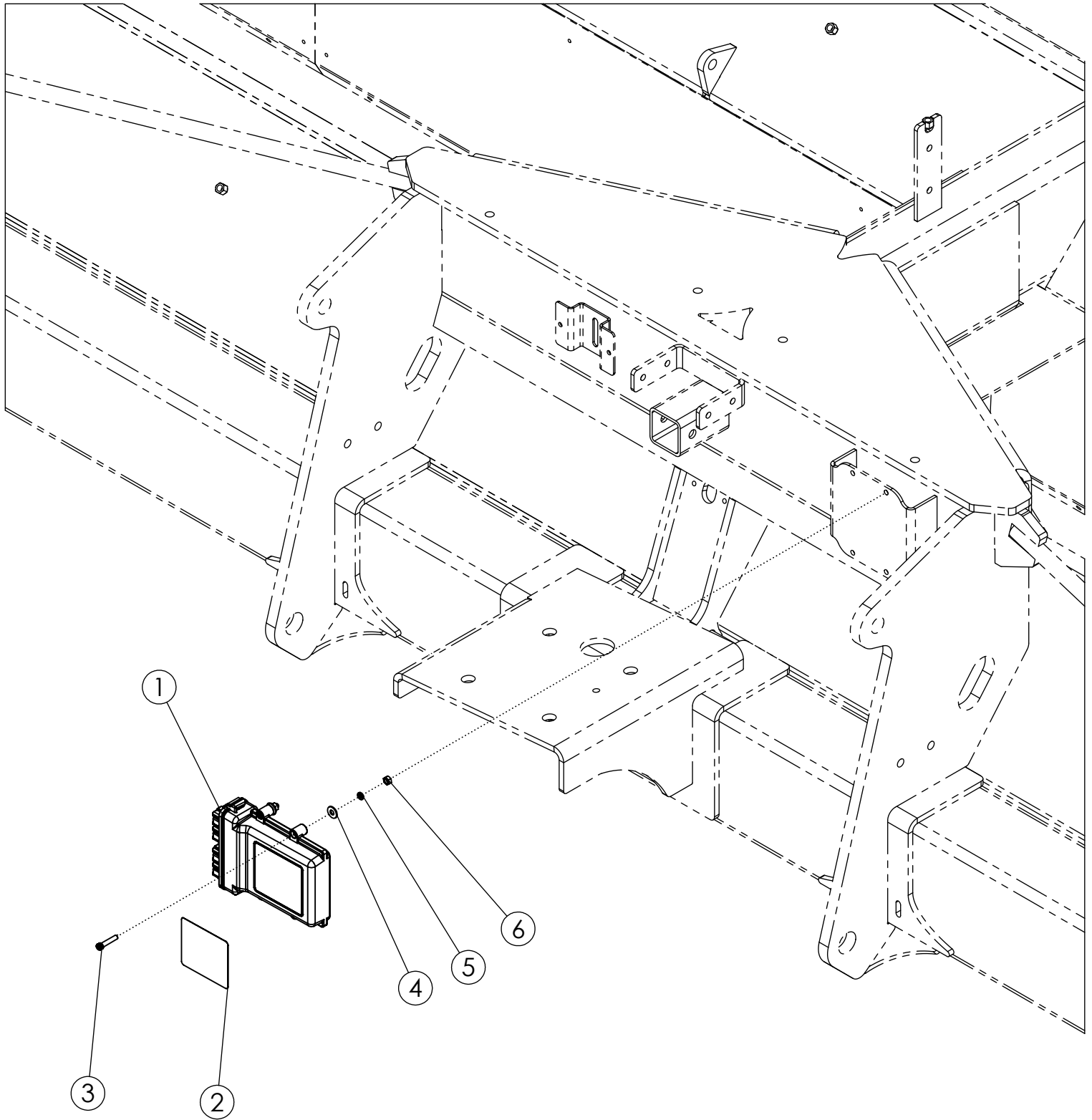


## AHC BASE COMPONENTS (307380)

---

| ITEM | PART NO. | DESCRIPTION   | QTY |
|------|----------|---|-----|
| 1    | 305939   | VALVE-3 BANK AHC                                    | 1   |
| 2    | 306996   | KT-SEAL FOR 305939                                  |     |
| 3    | 306893   | BOLT-HEX: .31 X 5.50 NC GR5 ZP                      | 2   |
| 4    | 1030700  | NUT-TOPLOCK: .31 NC GR5 ZP                          | 2   |
| 5    | 307298   | CYLINDER-HYD 3 X 8-3000-0° AHC (REPLACEABLE SENSOR) | 3   |
| 6    | 307302   | KT-SEAL FOR 307298 CYL                              |     |
| 7    | 307299   | SENSOR-ROTA INTERNAL LINEAR SENSOR                  |     |
| 8    | 311191   | PIN-CYLINDER 1.00 X 3.03" W/ GROOVE ZP              | 6   |
| 9    | 36430    | RING-RETAINING 1.000 ZP                             | 12  |
| 10   | 1016663  | WASHER-FLAT: SAE 1.00 ZP                            | 12  |
| 11   | 304190   | ASSY-TRACTOR HYD COUPLERS (SILVER)                  | 1   |

# AHC ISOBUS CONTROLLER (307250)

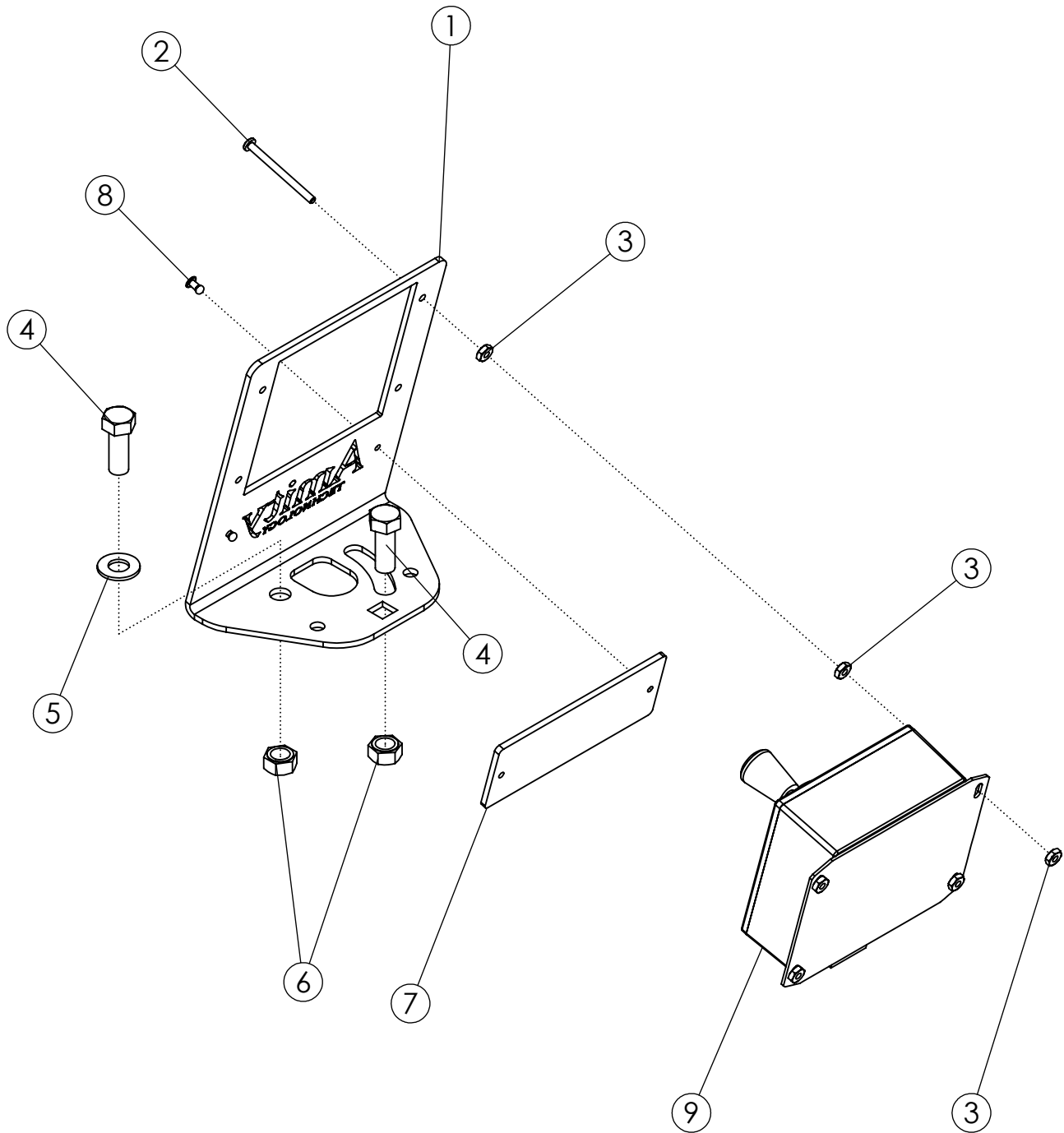


# AHC ISOBUS CONTROLLER (307250)

---

| ITEM | PART NO. | DESCRIPTION                             | QTY |
|------|----------|---|-----|
| 1    | 307251   | CONTROLLER- JCA FALCON CONTROLLER (AHC) | 1   |
| 2    | 307252   | DECAL-AHC CONTROLLER                    | 1   |
| 3    | 304214   | BOLT-SHCS: .25 X 1.25 NC ZP             | 4   |
| 4    | 1020416  | WASHER-FLAT: .25 ZP                     | 4   |
| 5    | 1013242  | WASHER-LOCK: .25 ZP                     | 4   |
| 6    | 1011587  | NUT-HEX: .25 NC GR5 ZP                  | 4   |

# AHC/ADC JOYSTICK W/ MOUNT (303447)

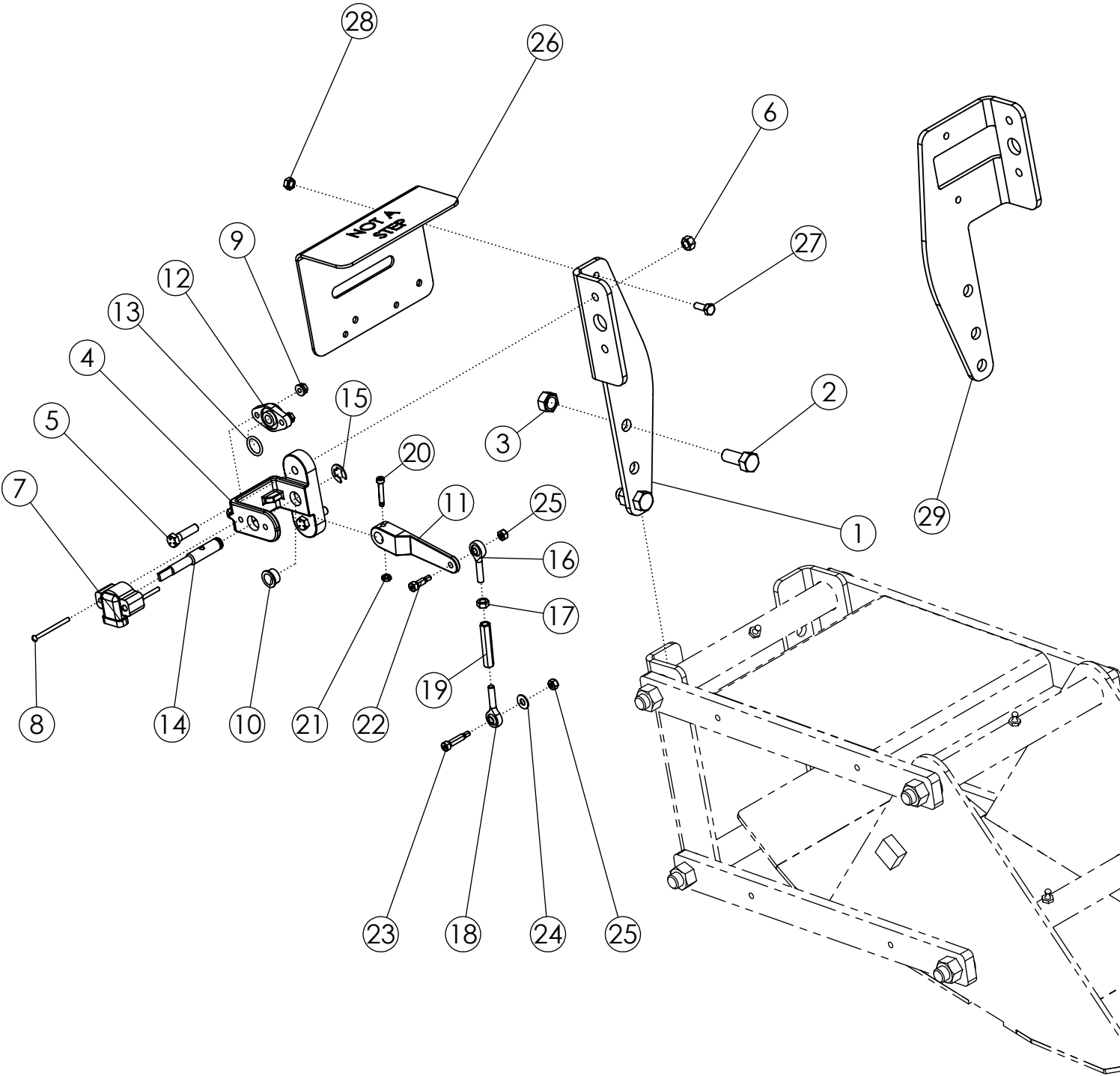


# AHC/ADC JOYSTICK W/ MOUNT (303447)

---

| ITEM | PART NO. | DESCRIPTION                                     | QTY |
|------|----------|---|-----|
| 1    | 303451   | PLATE-JOYSTICK MOUNT                            | 1   |
| 2    | 1019992  | SCREW P-H: #6 X 1.75 NC GR5 ZP                  | 4   |
| 3    | 1040448  | #6 NUT  | 12  |
| 4    | 1011600  | BOLT-HEX: .38 X 1.00 NC GR5 ZP                  | 2   |
| 5    | 1014608  | WASHER-FLAT: SAE .38 ZP                         | 1   |
| 6    | 1016999  | NUT-TOPLOCK: .38 NC GR5 ZP                      | 2   |
| 7    | 311514   | PLATE-JOYSTICK LOGO                             | 1   |
| 8    | 59882    | RIVET-POP: .13 X .31 ZP                         | 2   |
| 9    | 301151   | ASSY-JOYSTICK & ENCLOSURE                       | 1   |
| 10   | 303444   | HARNESS-ADC/AHC ISOBUS JOYSTICK EXT (NOT SHOWN) | 1   |

# AHC SENSOR ASSEMBLY (307567)

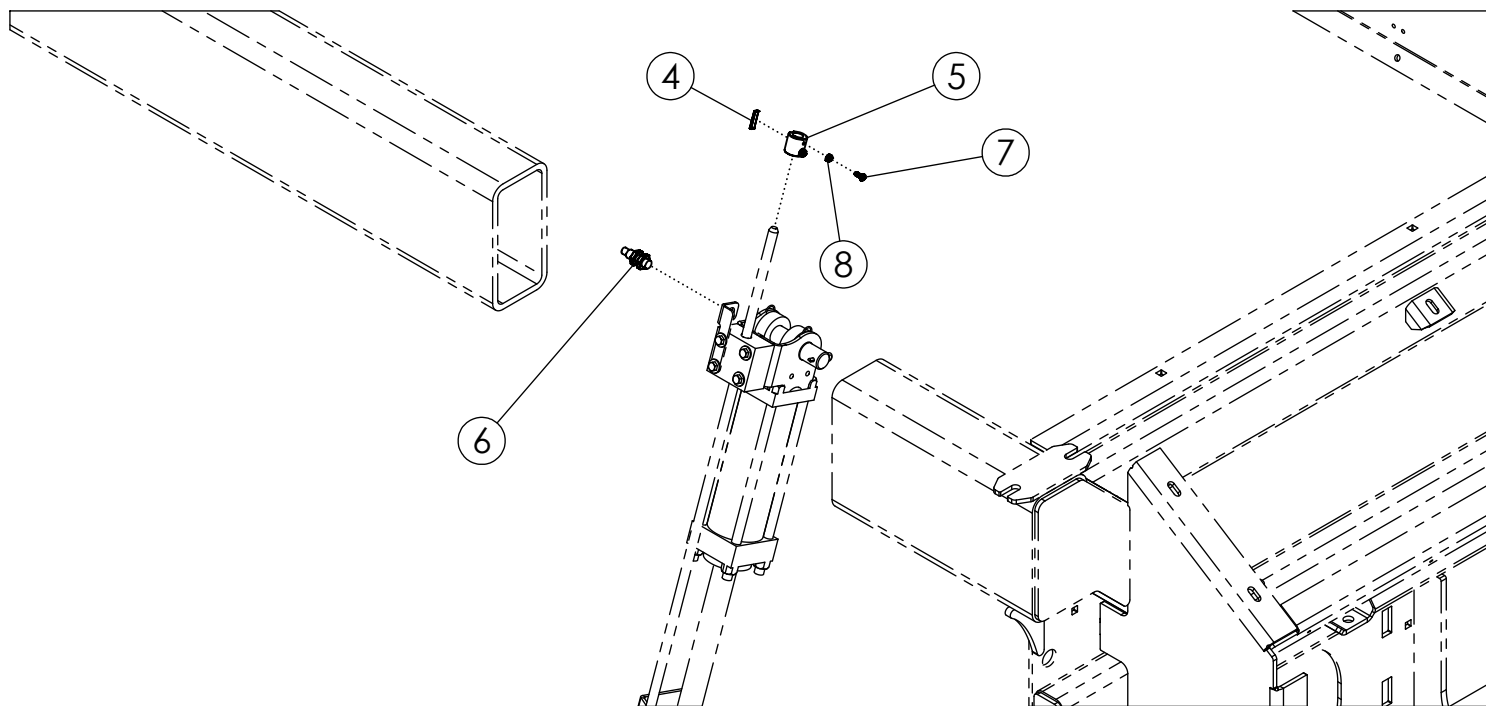


# AHC SENSOR ASSEMBLY (307567)

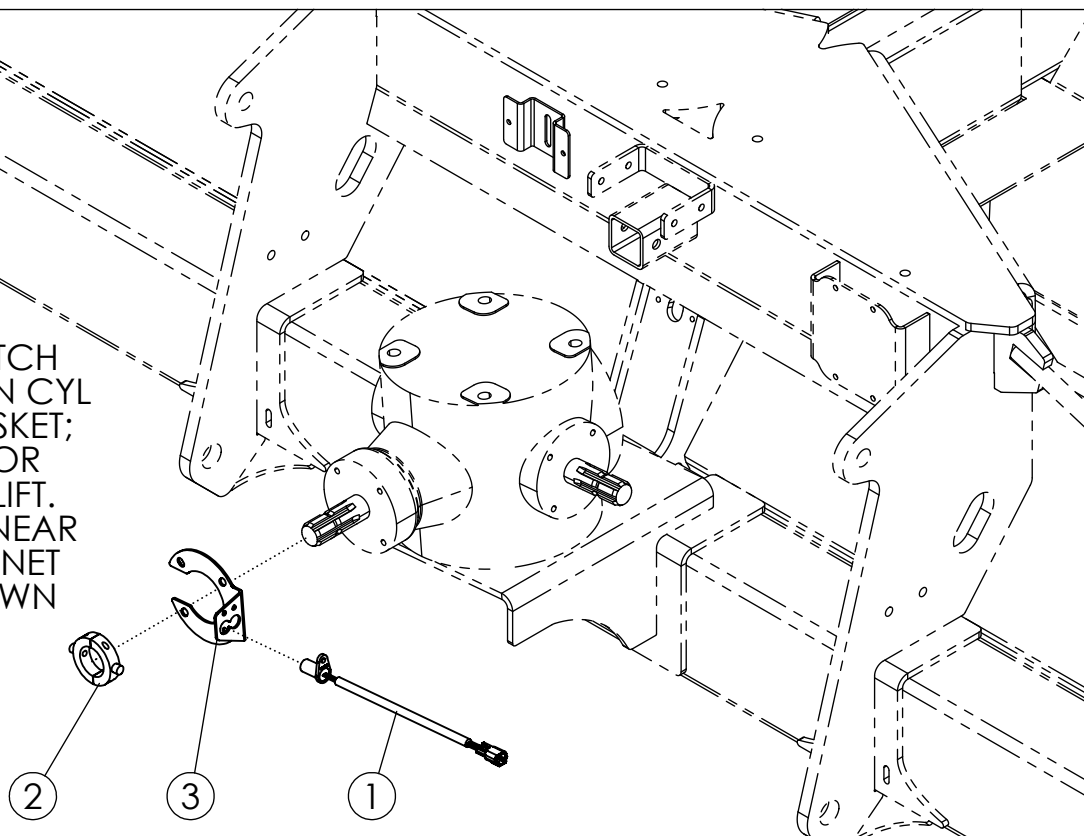
| ITEM | PART NO. | DESCRIPTION   | QTY |
|------|----------|---|-----|
| 1    | 306835   | PLATE-AHC SENSOR MOUNT BRACKET LH                   | 1   |
| 2    | 1011606  | BOLT-HEX: .50 X 1.25 NC GR5 ZP                      | 4   |
| 3    | 1027461  | NUT-TOPLOCK: .50 NC GR5 ZP                          | 4   |
| 4    | 306821   | SENSOR BRACKET-AHC                                  | 2   |
| 5    | 1032277  | BOLT-HEX: .31 X 1.25 NC GR5 ZP                      | 4   |
| 6    | 1030700  | NUT-TOPLOCK: .31 NC GR5 ZP                          | 4   |
| 7    | 73492    | SENSOR-ROTARY POSITION                              | 2   |
| 8    | 306836   | SCREW-MACH RND: #10-24 X 2.0" PHILLIPS              | 4   |
| 9    | 1026591  | NUT-K-LOCK: #10-24 NC GR2 ZP                        | 4   |
| 10   | 306822   | GROMMET-AHC SHAFT                                   | 2   |
| 11   | 306823   | LEVER-AHC   | 2   |
| 12   | 306825   | SUPPORT-SHAFT AHC                                   | 2   |
| 13   | 306826   | O-RING  | 2   |
| 14   | 306827   | SHAFT-AHC ZP  | 2   |
| 15   | 306895   | SNAP RING: FOR 1/2" OD- 0.46 ID X .035"             | 2   |
| 16   | 306828   | BALL JOINT ROD END 1/4"-28 RH                       | 2   |
| 17   | 1011579  | NUT-HEX: .25 NF GR2 ZP                              | 2   |
| 18   | 306829   | BALL JOINT ROD END 1/4"-28 LH                       | 2   |
| 19   | 306830   | TURNBUCKLE 1/4"-28                                  | 2   |
| 20   | 306831   | BOLT-SHOULDER: 3/16" X 1.0" SHLD LNGTH X #8-32 THRD | 2   |
| 21   | 307497   | NUT-LOCK: #8-32 GR2 ZP THIN                         | 2   |
| 22   | 306832   | BOLT-SHOULDER: 1/4" X 1/2" SHLD LNGTH X #10-24 THRD | 2   |
| 23   | 306833   | BOLT-SHOULDER: 1/4" X 1.0" SHLD LNGTH X #10-24 THRD | 2   |
| 24   | 65695    | WASHER-FLAT: .25 SS                                 | 2   |
| 25   | 67079    | NUT-NYLOCK: #10-24 NC GR2 ZP                        | 4   |
| 26   | 306926   | PLATE-AHC SENSOR COVER                              | 2   |
| 27   | 1011595  | BOLT-HEX: .25 X .75 NC GR5 ZP                       | 4   |
| 28   | 1030946  | NUT-TOPLOCK: .25 NC GR5 ZP                          | 4   |
| 29   | 307686   | PLATE-AHC SENSOR MOUNT BRACKET RH                   | 1   |

# AHC SENSOR KIT (306834)

## PTO SENSOR MOUNT



NOTE:  
ASSEMBLE WORKSWITCH  
TO DEPTH SENSOR ON CYL  
THAT RAISES AHC BASKET;  
EITHER SCALPER LIFT OR  
AHC FRAME BASKET LIFT.  
SENSOR SHOULD BE NEAR  
TOUCHING THE MAGNET  
IN THE LOWERED/DOWN  
POSITION



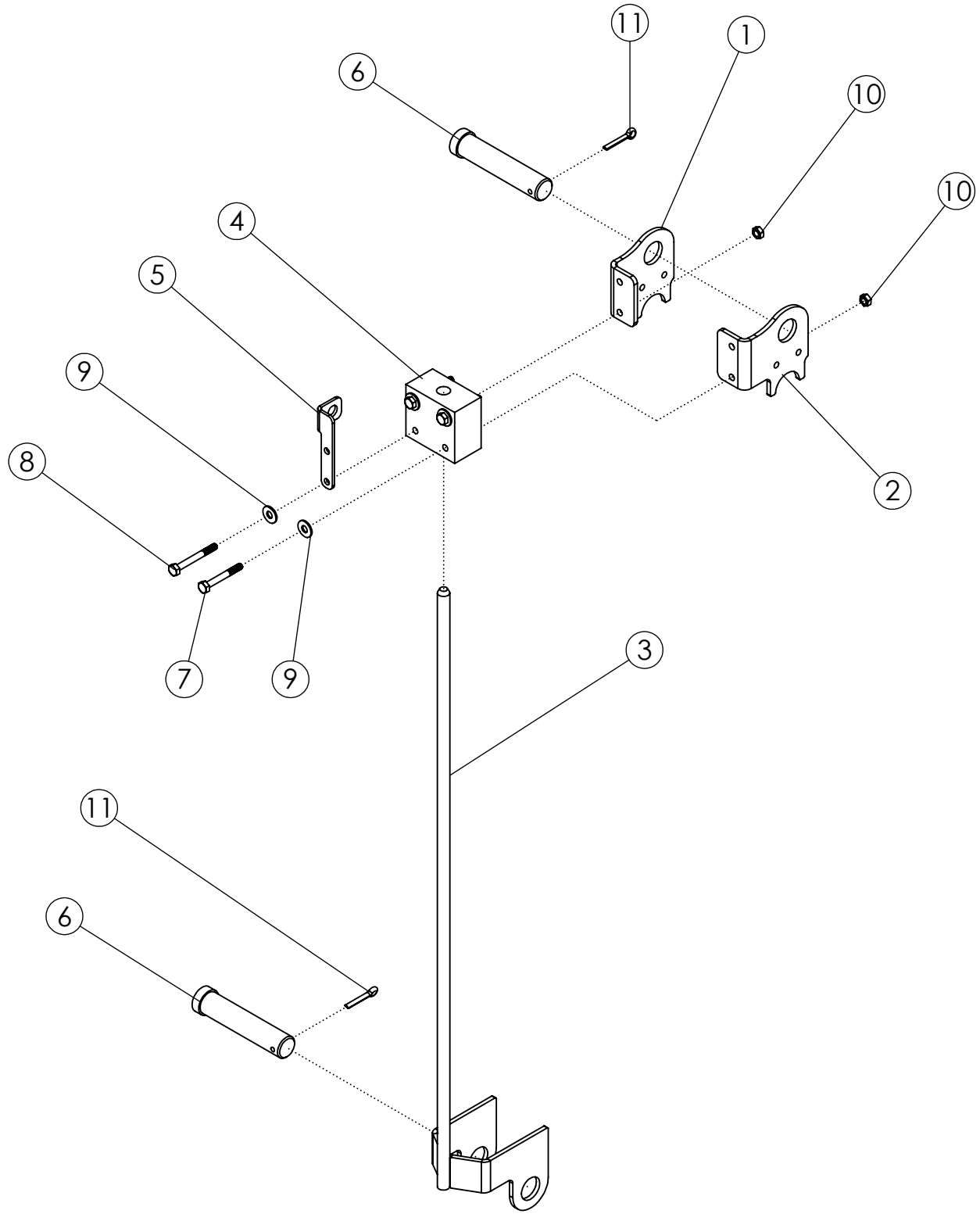
## WORKSWITCH MOUNT

## AHC SENSOR KIT (306834)

---

| ITEM | PART NO. | DESCRIPTION                        | QTY |
|------|----------|------------------------------------|-----|
| 1    | 301014   | SENSOR-PTO ADC                     | 1   |
| 2    | 64388    | WLDMT-SPLIT COLLAR 1.75"           | 1   |
| 3    | 305958   | PLATE-PTO SENSOR MOUNT             | 1   |
| 4    | 305959   | MAGNET-WORK SWITHC AHC             | 1   |
| 5    | 305595   | TUBE-AHC MAGNET HOLDER ZP          | 1   |
| 6    | 306862   | ASSY-MAGNETIC PROXIMITY SENSOR AHC | 1   |
| 7    | 750354   | SCREW-PHILLIP: #10-24 X .50        | 2   |
| 8    | 65348    | NUT-HEX: SS #10-24                 | 2   |

# AHC DEPTH GAUGE (306976)



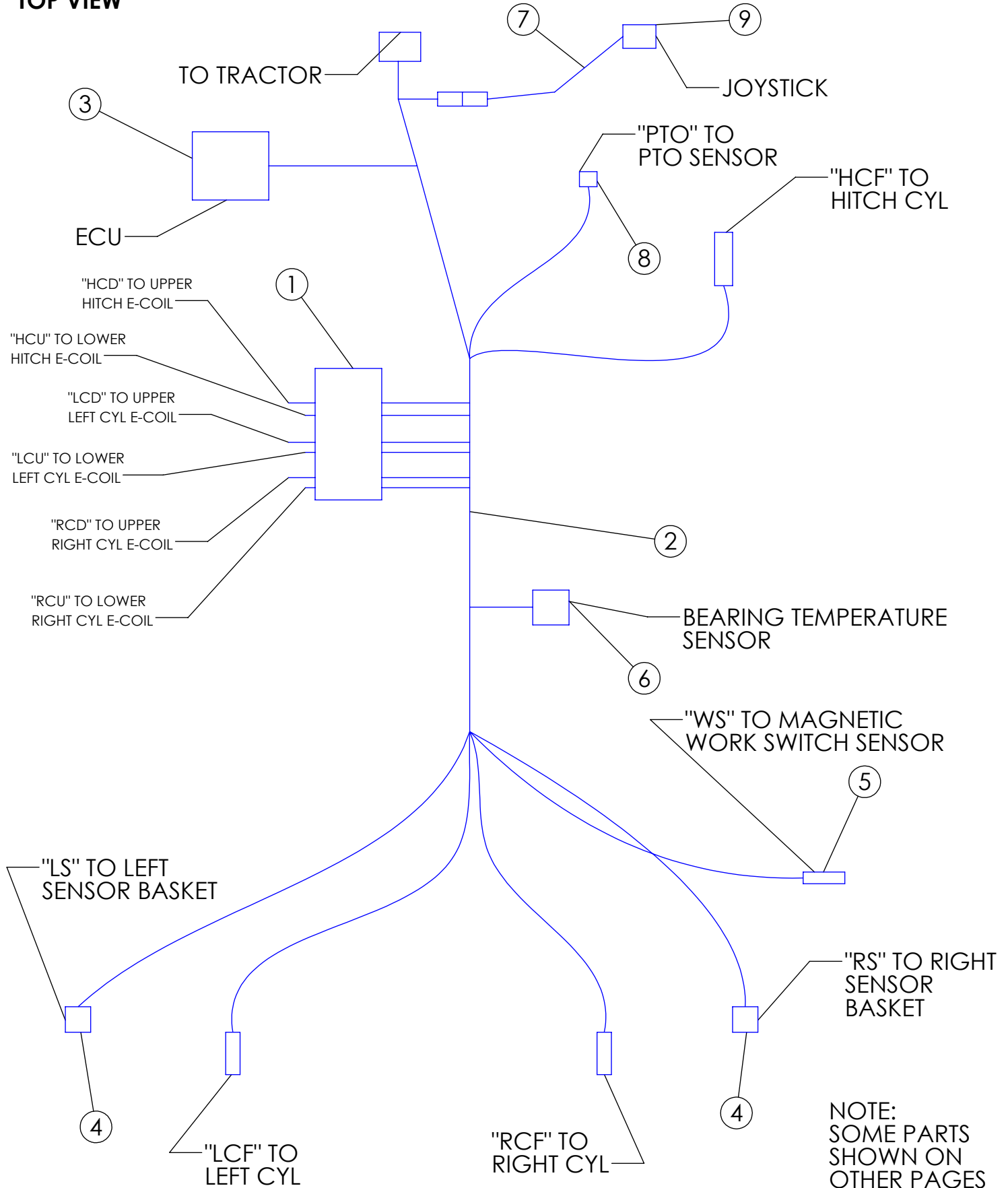
## AHC DEPTH GAUGE (306976)

---

| ITEM | PART NO. | DESCRIPTION                  | QTY |
|------|----------|------------------------------|-----|
| 1    | 306962   | PLATE-DEPTH GAUGE BRACKET RH | 1   |
| 2    | 306963   | PLATE-DEPTH GAUGE BRACKET LH | 1   |
| 3    | 63999    | WLDMT - BOTTOM BRACKET ZP    | 1   |
| 4    | 63383    | POLY GUIDE BLOCK             | 1   |
| 5    | 306896   | PLATE-MAGNETIC SENSOR MNT    | 1   |
| 6    | 63406    | PIN-CLEVIS: 1.00 X 4.00 ZP   | 2   |
| 7    | 1016211  | BOLT-HEX: .25 X 2.00 NC GR5  | 2   |
| 8    | 1013942  | BOLT-HEX: .25 X 2.25 NC GR5  | 2   |
| 9    | 1020416  | WASHER-FLAT: .25 ZP          | 4   |
| 10   | 1030946  | NUT-TOPLOCK: .25 NC GR5 ZP   | 4   |
| 11   | 1012375  | PIN-COTTER .19 X 1.50 ZP     | 2   |

# AHC ELECTRICAL COMPONENTS

## TOP VIEW



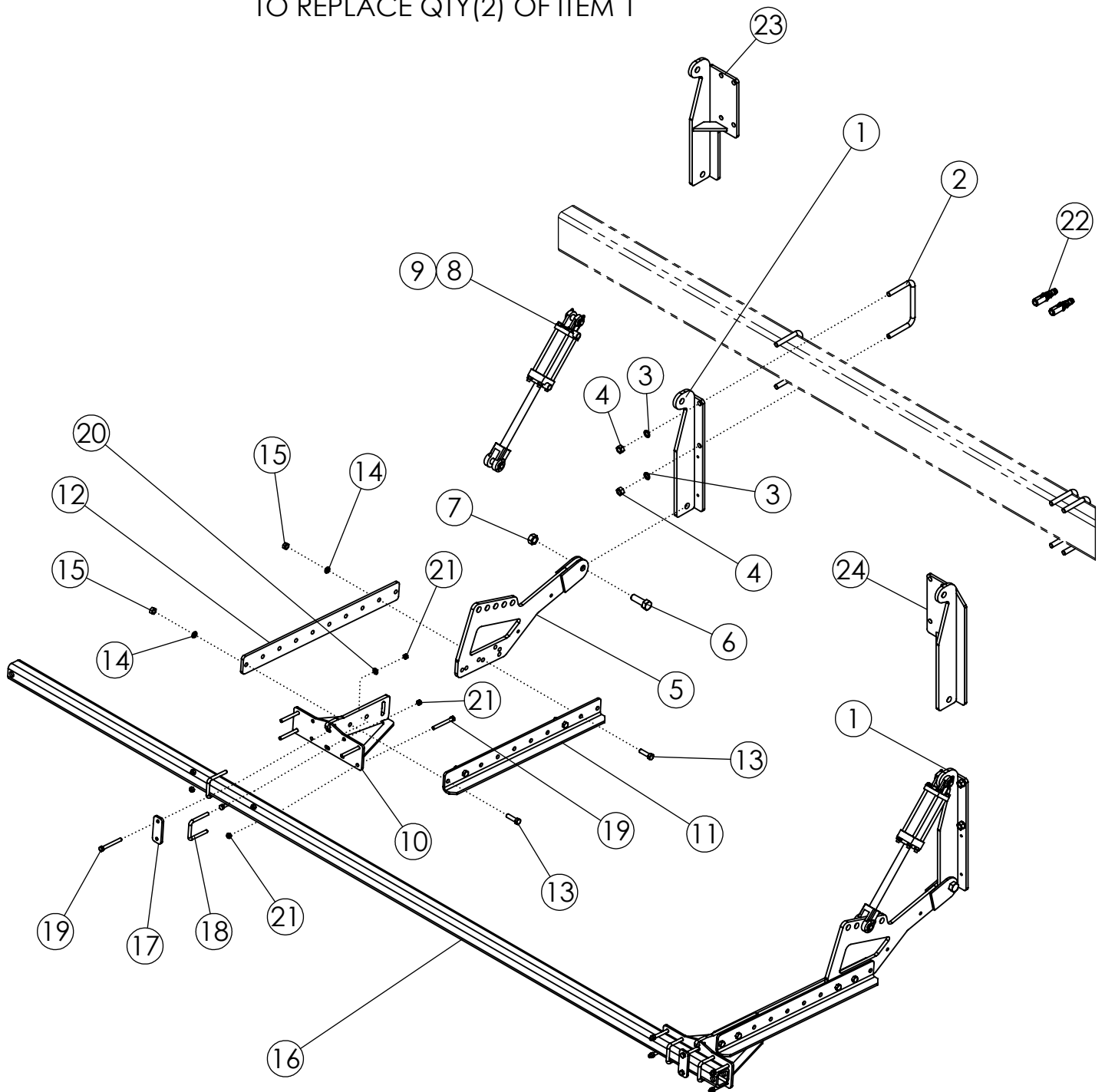
# AHC ELECTRICAL COMPONENTS

---

| ITEM | PART NO. | DESCRIPTION                         | QTY |
|------|----------|-------------------------------------|-----|
| 1    | 305939   | VALVE-3 BANK AHC                    | 1   |
|      | 306996   | KT-SEAL FOR 305939                  |     |
| 2    | 307253   | HARNESS-AHC ISOBUS MAIN             | 1   |
| 3    | 307250   | ASSY-AHC ISOBUS CONTROLLER          | 1   |
| 4    | 73492    | SENSOR-ROTARY POSITION              | 2   |
| 5    | 306862   | ASSY-MAGNETIC PROXIMITY SENSOR AHC  | 1   |
| 6    | 307255   | SENSOR-AHC TEMPERATURE SENSOR       | 1   |
| 7    | 303444   | HARNESS-ADC/AHC ISOBUS JOYSTICK EXT | 1   |
| 8    | 301014   | SENSOR-PTO ADC                      | 1   |
| 9    | 301151   | ASSY-JOYSTICK ENCLOSURE             | 1   |

# SCALPER BAR ASSEMBLY (306008/307544)

ITEMS 23 & 24 ONLY USED WITH  
WIDE STANCE SCALPER KIT (305405)  
TO REPLACE QTY(2) OF ITEM 1

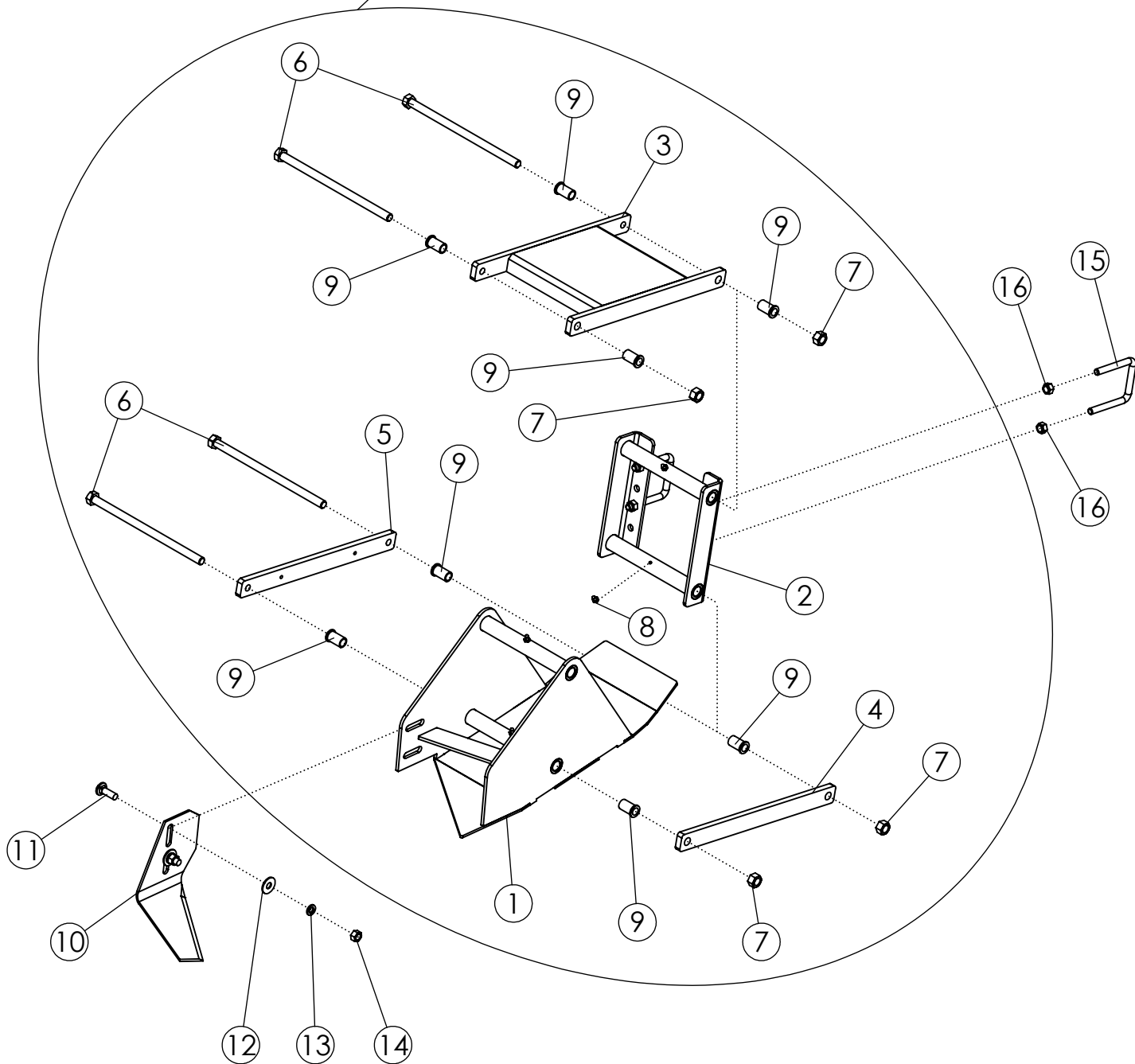


# SCALPER BAR ASSEMBLY (306008/307544)

| ITEM | PART NO. | DESCRIPTION                        | QTY |
|------|----------|------------------------------------|-----|
| 1    | 68239    | WLDMT - MOUNT                      | 2   |
| 2    | 56263    | U-BOLT: .75 X 5.5 X 8 X 5.5        | 4   |
| 3    | 1012061  | WASHER-LOCK: .75 ZP                | 8   |
| 4    | 1011620  | NUT-HEX: .75 NC GR2 ZP             | 8   |
| 5    | 69126    | WLDMT-SCALPER ARM MNT              | 2   |
| 6    | 1018007  | BOLT-HEX: 1.0 X 3.00 NC GR5 ZP     | 2   |
| 7    | 1016969  | NUT-TOPLOCK: 1.00 NC GR8 ZP        | 2   |
| 8    | 58890    | CYLINDER-HYDRAULIC 3 X 8" 3000     | 2   |
| 9    | 301314   | SEAL KT-CYL 3 X 8 3000PSI UNIVERAL |     |
| 10   | 69127    | WLDMT-BAR MNT BRACKET              | 2   |
| 11   | 305183   | PLATE-SCALPER EXT                  | 2   |
| 12   | 306101   | PLATE-SCALPER EXT FLAT             | 2   |
| 13   | 1017526  | BOLT-HEX .63 X 2.25 NC GR5 ZP      | 8   |
| 14   | 1011813  | WASHER-LOCK: .63 ZP                | 8   |
| 15   | 1011578  | NUT-HEX: .63 NC GR2 ZP             | 8   |
| 16   | 51864    | SCALPER BAR 40630                  | 1   |
| 17   | 51551    | BAR-BASKET MOUNTING                | 2   |
| 18   | 69954    | U-BOLT: .500 X 4.00 X 3 X 4.00     | 4   |
| 19   | 1013682  | BOLT-HEX: .50 X 4.50 NC GR5 ZP     | 12  |
| 20   | 1011584  | WASHER-FLAT: SAE .50 ZP            | 4   |
| 21   | 1027461  | NUT-TOPLOCK: .50 NC GR5 ZP         | 20  |
| 22   | 304188   | ASSY-TRACTOR HYD COUPLERS (GREEN)  | 1   |
| 23   | 305406   | WLDMT-MOUNT EXTENDED LH            | 1   |
| 24   | 305407   | WLDMT-MOUNT EXTENDED RH            | 1   |

# SCALPER BASKET LONG W/ HARDWARE (51475)

SCALPER BASKET LONG W/O HARDWARE  
(PN 63462) ONLY INCLUDES ITEMS 1-9



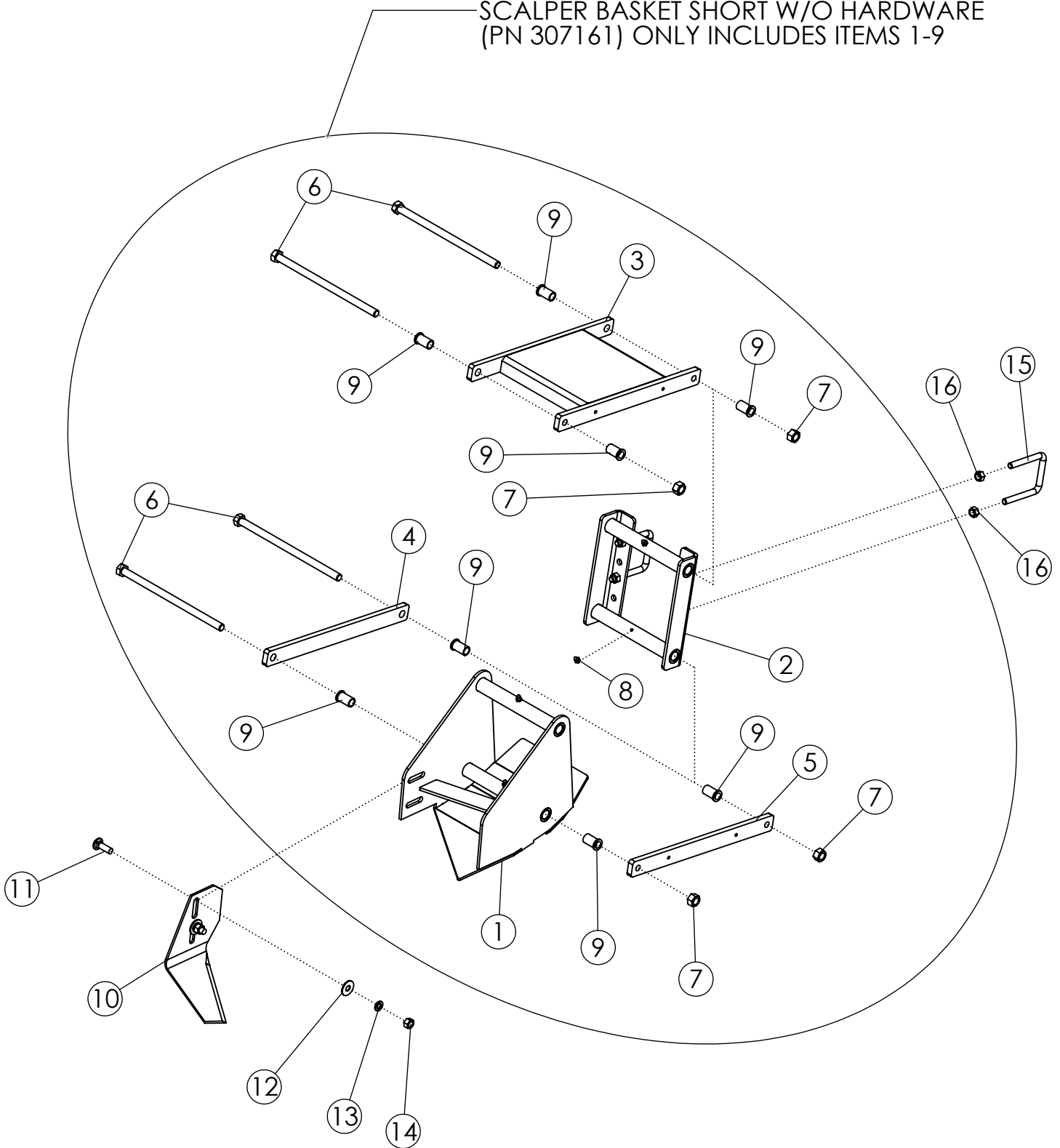
# SCALPER BASKET LONG W/ HARDWARE (51475)

---

| ITEM | PART NO. | DESCRIPTION                           | QTY |
|------|----------|---------------------------------------|-----|
| 1    | 63550    | WLDMT-BASKET FRAME                    | 1   |
| 2    | 63551    | WLDMT-BASKET MOUNT                    | 1   |
| 3    | 306849   | WLDMT-UPPER PARALLEL LINK AHC         | 1   |
| 4    | 63555    | BAR-PARALLEL LINK PAINTED             | 1   |
| 5    | 306848   | BAR-PARALLEL LINK AHC THREADED PC     | 1   |
| 6    | 306752   | BOLT-HEX: .63 X 11.94 NC GR5 ZP       | 4   |
| 7    | 59316    | NUT-CENTERLOCK: .625 NC GR5 ZP        | 4   |
| 8    | 1011748  | ZERK-GREASE .25 UNF STRAIGHT          | 4   |
| 9    | 306080   | BUSHING-FLANGE: .628 X .816 X 1.4375L | 8   |
| 10   | 51782    | SCALPER KNIFE-HEAT TREAT              | 1   |
| 11   | 1011660  | BOLT-CRG: .50 X 1.50 NC GR5 ZP        | 2   |
| 12   | 1014443  | WASHER-FLAT: .50 ZP                   | 2   |
| 13   | 1011581  | WASHER-LOCK: .50 ZP                   | 2   |
| 14   | 1011577  | NUT-HEX: .50 NC GR2 ZP                | 2   |
| 15   | 69954    | U-BOLT: .500 X 4.00 X 3 X 4.00        | 2   |
| 16   | 1027461  | NUT-TOPLOCK: .50 NC GR5 ZP            | 4   |

# SCALPER BASKET SHORT W/ HARDWARE (307160)

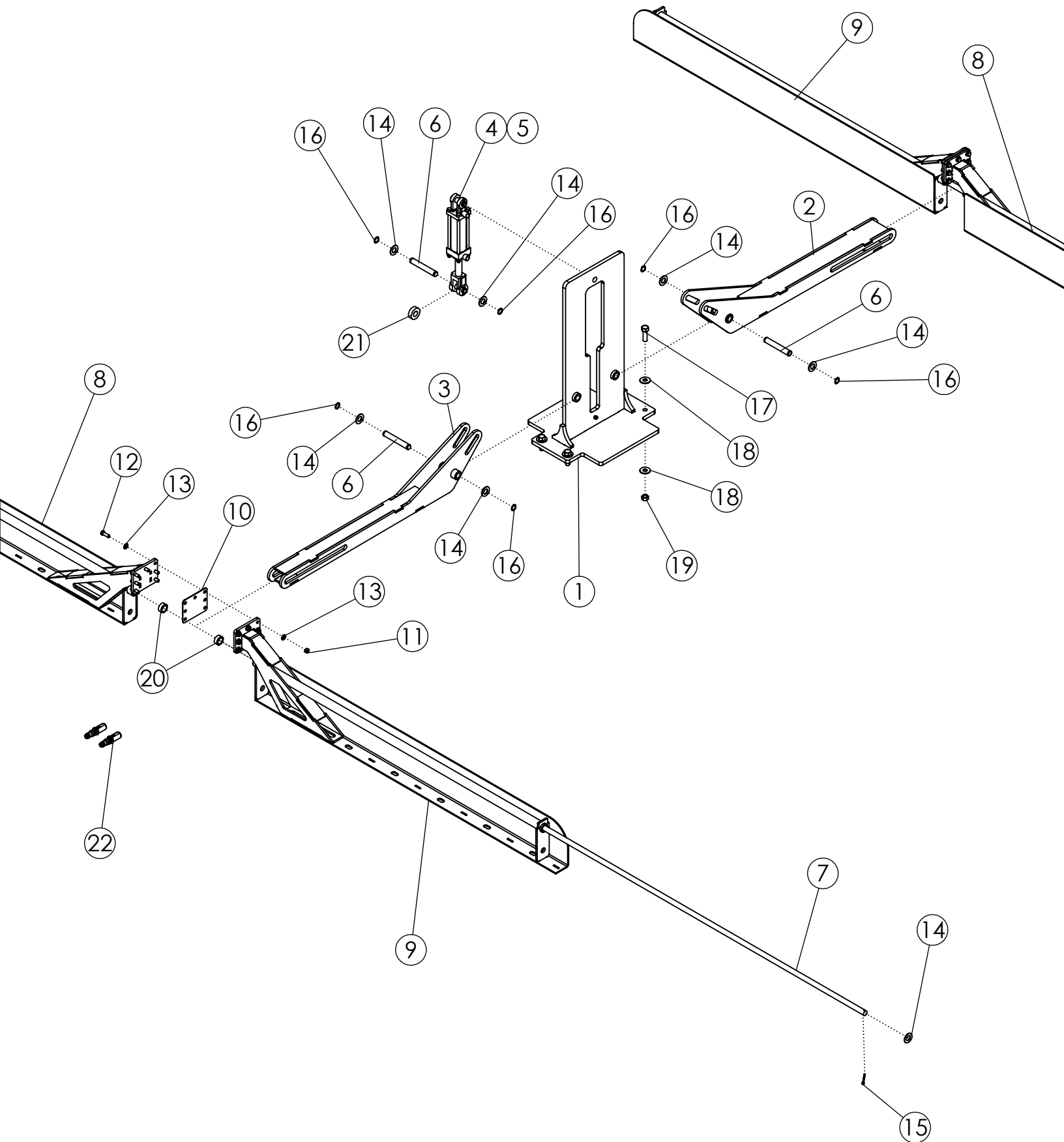
SCALPER BASKET SHORT W/O HARDWARE  
(PN 307161) ONLY INCLUDES ITEMS 1-9



# SCALPER BASKET SHORT W/ HARDWARE (307160)

| ITEM | PART NO. | DESCRIPTION                           | QTY |
|------|----------|---------------------------------------|-----|
| 1    | 306948   | WLDMT-BASKET FRAME V2                 | 1   |
| 2    | 63551    | WLDMT-BASKET MOUNT                    | 1   |
| 3    | 306849   | WLDMT-UPPER PARALLEL LINK AHC         | 1   |
| 4    | 63555    | BAR-PARALLEL LINK PAINTED             | 1   |
| 5    | 306848   | BAR-PARALLEL LINK AHC THREADED PC     | 1   |
| 6    | 306752   | BOLT-HEX: .63 X 11.94 NC GR5 ZP       | 4   |
| 7    | 59316    | NUT-CENTERLOCK: .625 NC GR5 ZP        | 4   |
| 8    | 1011748  | ZERK-GREASE .25 UNF STRAIGHT          | 4   |
| 9    | 306080   | BUSHING-FLANGE: .628 X .816 X 1.4375L | 8   |
| 10   | 51782    | SCALPER KNIFE-HEAT TREAT              | 1   |
| 11   | 1011660  | BOLT-CRG: .50 X 1.50 NC GR5 ZP        | 2   |
| 12   | 1014443  | WASHER-FLAT: .50 ZP                   | 2   |
| 13   | 1011581  | WASHER-LOCK: .50 ZP                   | 2   |
| 14   | 1011577  | NUT-HEX: .50 NC GR2 ZP                | 2   |
| 15   | 69954    | U-BOLT: .500 X 4.00 X 3 X 4.00        | 2   |
| 16   | 1027461  | NUT-TOPLOCK: .50 NC GR5 ZP            | 4   |

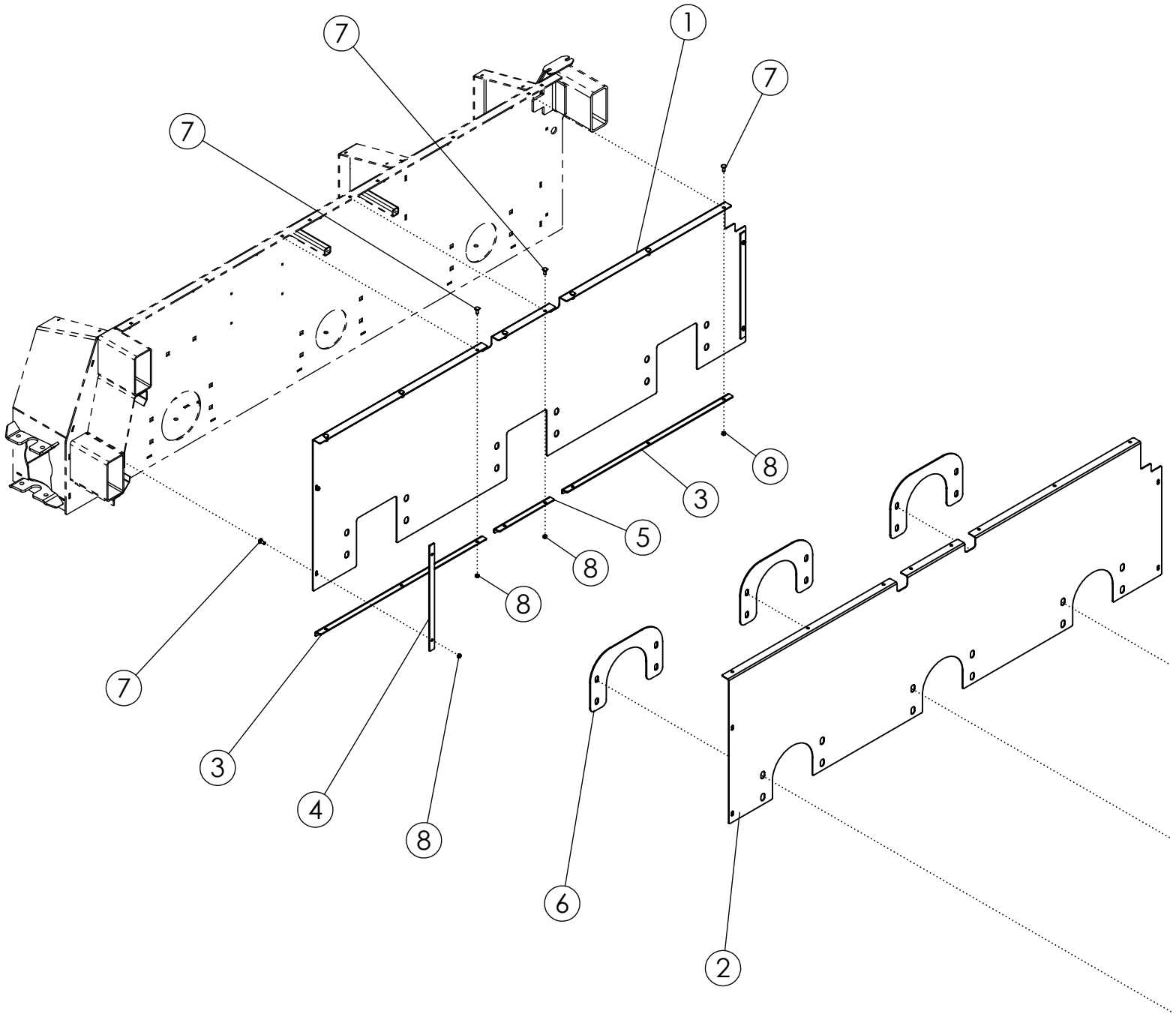
# TOP DOOR LIFT (305342)



# TOP DOOR LIFT (305342)

| ITEM | PART NO. | DESCRIPTION                         | QTY |
|------|----------|-------------------------------------|-----|
| 1    | 305357   | WLDMT-DEF TOP DOOR TOWER            | 1   |
| 2    | 305361   | WLDMT-DEF TOP DOOR ARMS REAR        | 1   |
| 3    | 305364   | WLDMT-DEF TOP DOOR ARMS FRONT       | 1   |
| 4    | 58890    | CYLINDER-HYDRAULIC 3 X 8" 3000      | 1   |
| 5    | 301314   | SEAL KT-CYL 3 X 8 3000PSI UNIVERSAL |     |
| 6    | 305380   | PIN-DEF TOP DOOR TOWER              | 3   |
| 7    | 305390   | ROD-DEF TOP DOOR ROLLER SHAFT 8R    | 2   |
| 8    | 305385   | WLDMT-DEF TOP DOOR WING A 8R        | 2   |
| 9    | 305387   | WLDMT-DEF TOP DOOR WING B 8R        | 2   |
| 10   | 307690   | PLATE-SHIM 00 TOP DOORS             | 2   |
| 11   | 1027461  | NUT-TOPLOCK: .50 NC GR5 ZP          | 14  |
| 12   | 1011607  | BOLT-HEX: .50 X 1.50 NC GR5 ZP      | 14  |
| 13   | 1032505  | WASHER-FLAT: SAE .50 GR8 ZP         | 28  |
| 14   | 1016663  | WASHER-FLAT: SAE 1.00 ZP            | 10  |
| 15   | 1016944  | PIN-COTTER: .25 X 2.00 ZP           | 4   |
| 16   | 36430    | RING-RETAINING 1.000 ZP             | 6   |
| 17   | 1016598  | BOLT-HEX: .75 X 2.50 NC GR5 ZP      | 4   |
| 18   | 1030702  | WASHER-FLAT .75 ZP                  | 8   |
| 19   | 1017000  | NUT-TOPLOCK: .75 NC GR5 ZP          | 4   |
| 20   | 305379   | BUSHING-DEF TOP DOOR WING FRONT ZP  | 2   |
| 21   | 305381   | PLATE-CYLINDER ROLLER ZP            | 1   |
| 22   | 304185   | ASSY-TRACTOR HYD COUPLERS (RED)     | 1   |

# SIDE LINER KIT (69409)



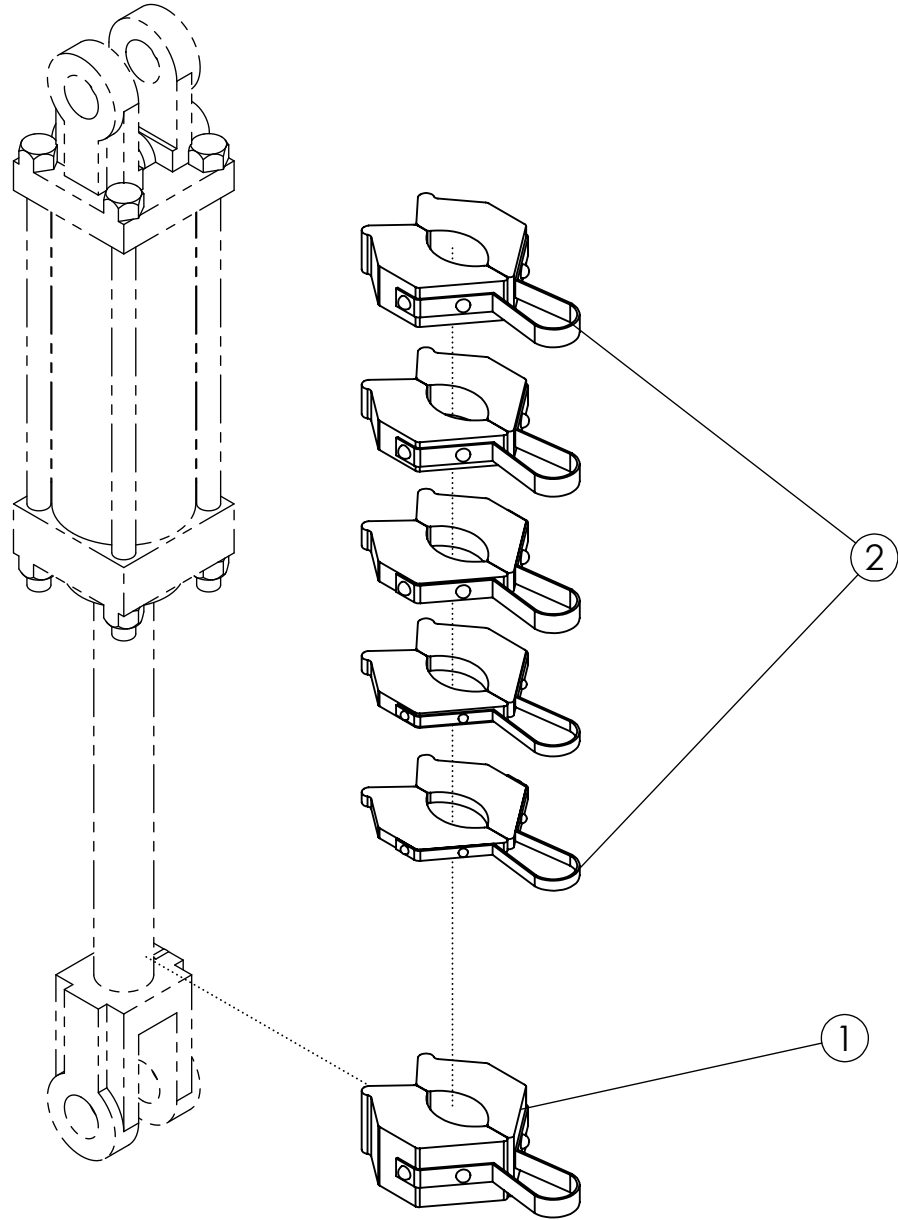
## SIDE LINER KIT (69409)

---

| ITEM | PART NO. | DESCRIPTION                    | QTY |
|------|----------|--------------------------------|-----|
| 1    | 69964    | LINER-RH DEF PLASTIC           | 1   |
| 2    | 69965    | LINER-LH DEF PLASTIC           | 1   |
| 3    | 69966    | PLATE-RETAINER FRT/BACK        | 4   |
| 4    | 69968    | PLATE-RETAINER VERT            | 4   |
| 5    | 69967    | PLATE-RETAINER MID             | 2   |
| 6    | 69969    | PLATE-LH LOWER RETAINER        | 3   |
| 7    | 59488    | BOLT-CRG: .38 X 1.00 NC GR5 ZP | 24  |
| 8    | 1016999  | NUT-TOPLOCK: .38 NC GR5 ZP     | 24  |

# CYLINDER STOP KIT (51497)

---

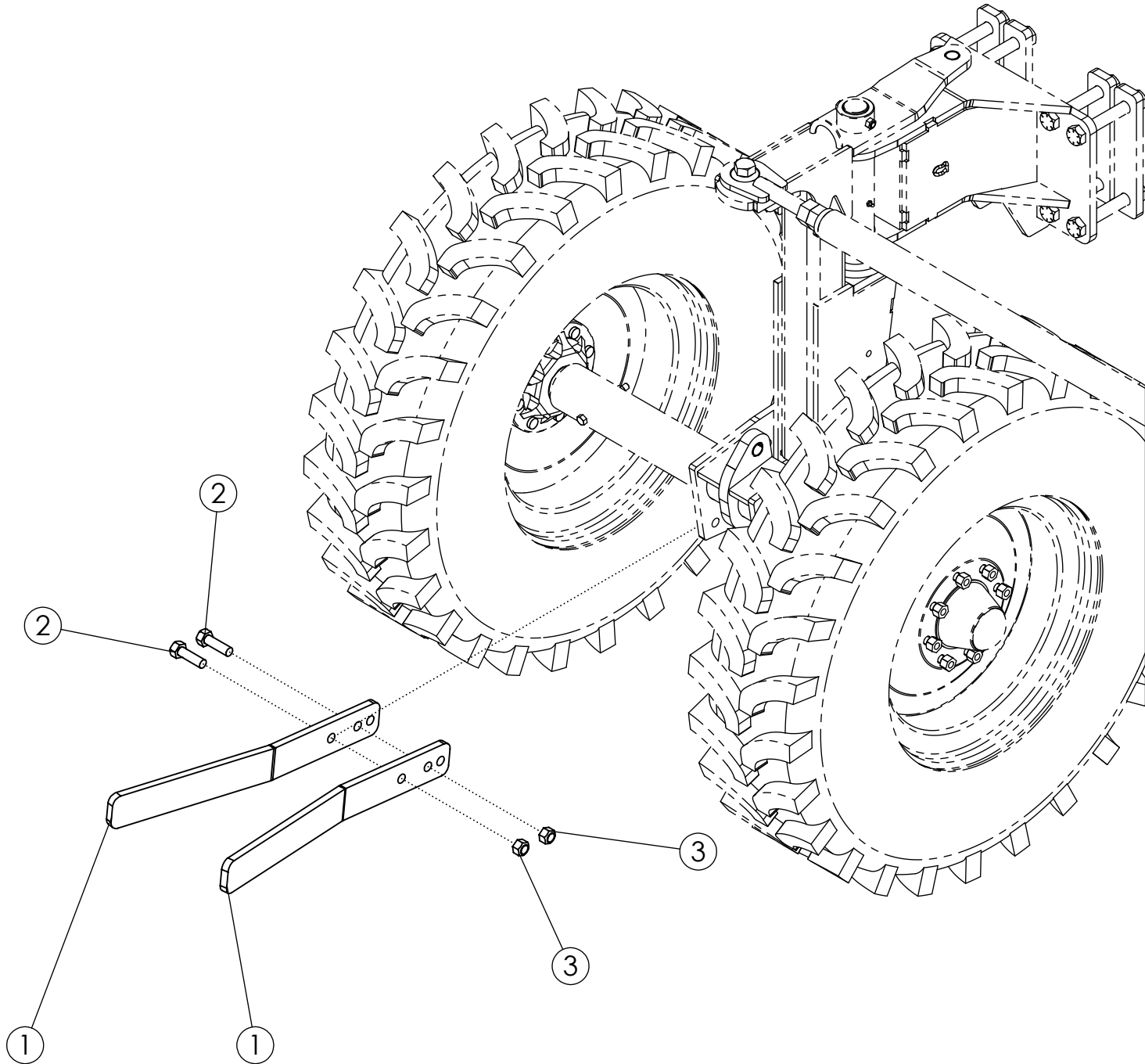


# CYLINDER STOP KIT (51497)

---

| ITEM | PART NO. | DESCRIPTION                     | QTY |
|------|----------|---------------------------------|-----|
| 1    | 54004    | STOP-CYLINDER 1.5" (SILVER)     | 1   |
| 2    | 52320    | CYLINDER STOP A-KT (.25 X 1.00) | 1   |

# REAR TIRE SCRAPERS (305779)



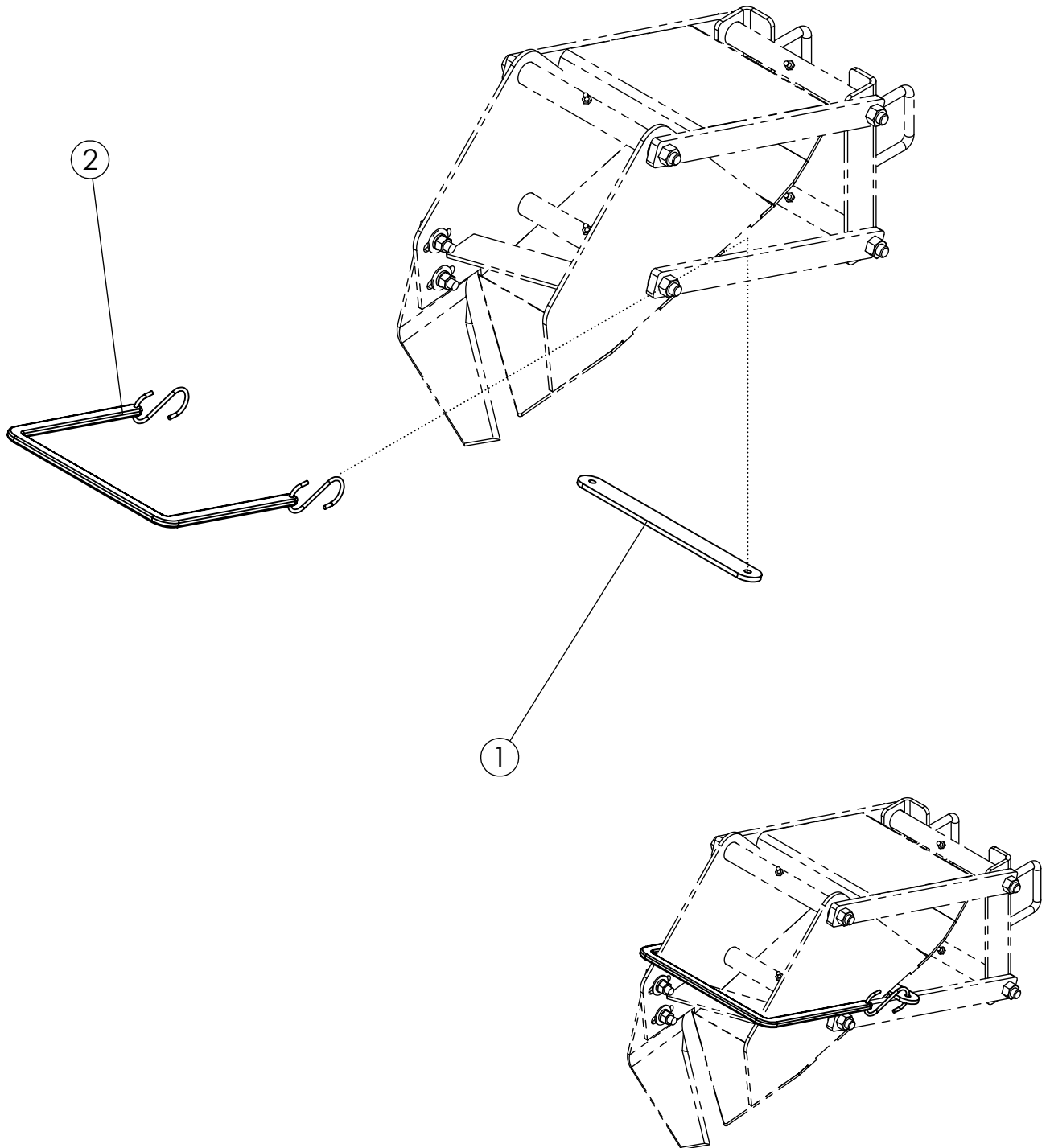
## REAR TIRE SCRAPERS (305779)

---

| ITEM | PART NO. | DESCRIPTION                    | QTY |
|------|----------|--------------------------------|-----|
| 1    | 305640   | PLATE-SCRAPER 11.2-24 DEF      | 4   |
| 2    | 1016598  | BOLT-HEX: .75 X 2.50 NC GR5 ZP | 8   |
| 3    | 1017000  | NUT-TOPLOCK: .75 NC GR5 ZP     | 8   |

# SCALPER LOCK UP KIT (307257)

---

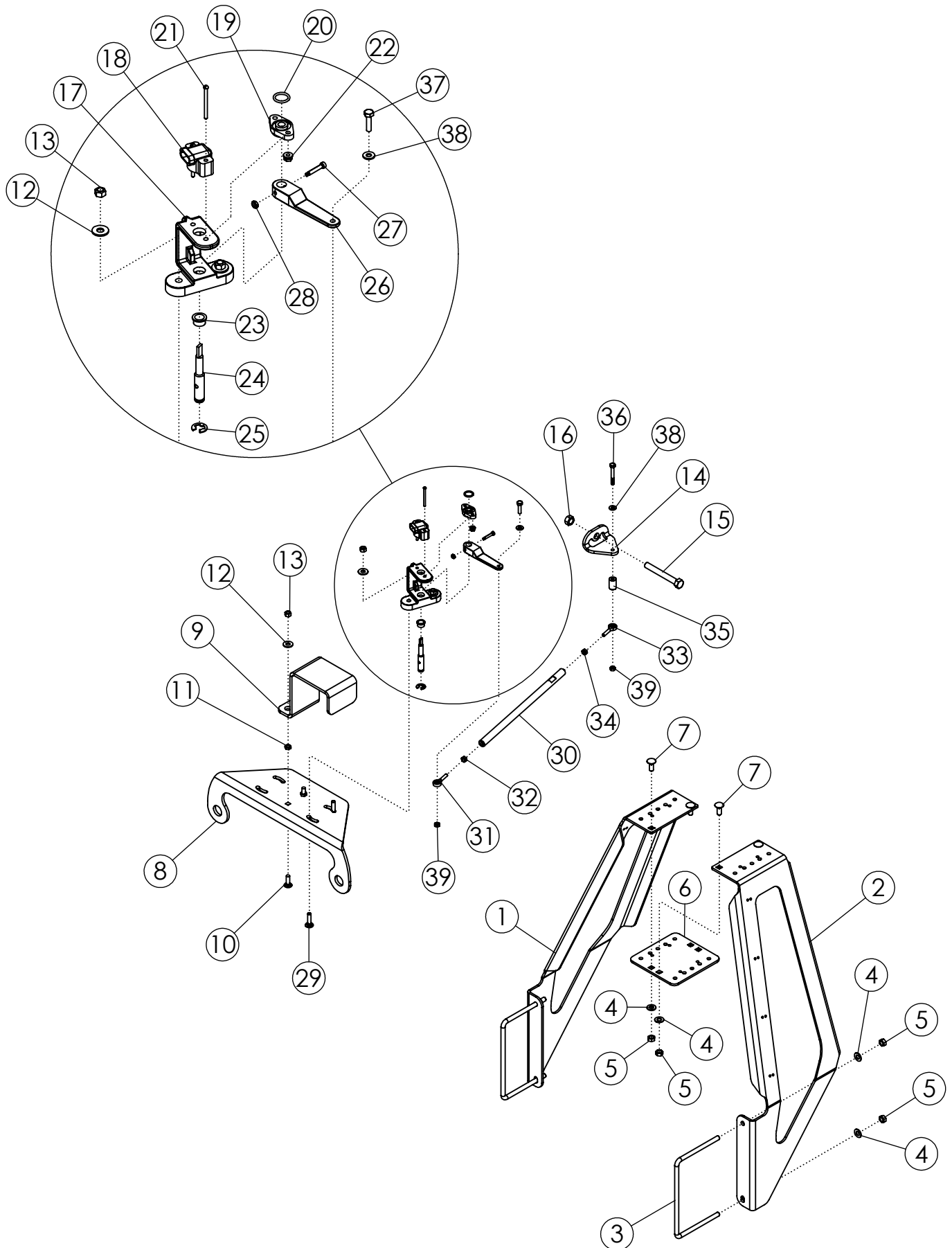


# SCALPER LOCK UP KIT (307257)

---

| ITEM | PART NO. | DESCRIPTION              | QTY |
|------|----------|--------------------------|-----|
| 1    | 306947   | PLATE-SCALPER LOCK UP V2 | 1   |
| 2    | 306974   | BUNGEE STRAP FOR SCALPER | 1   |

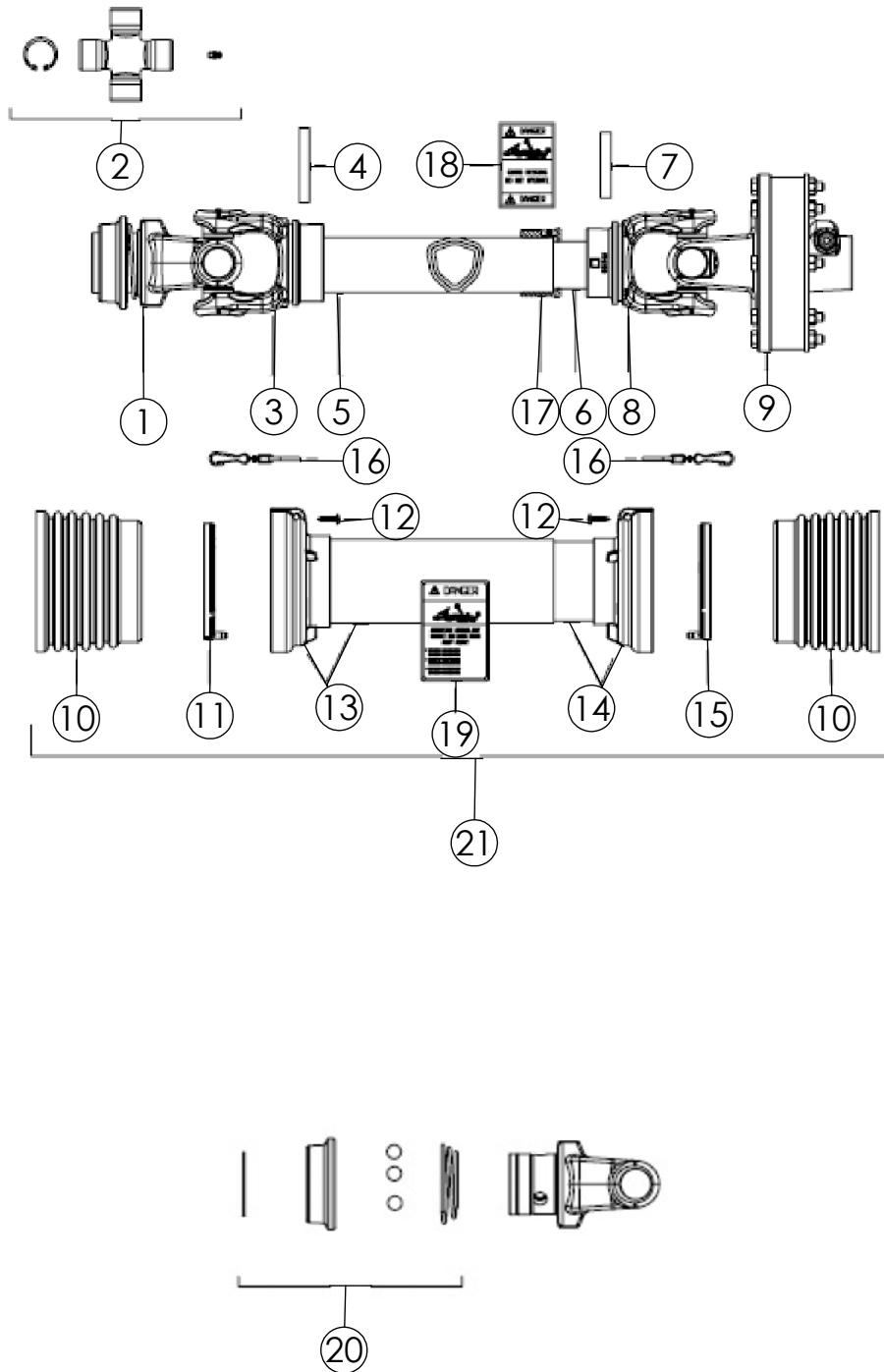
# JD GPS GUIDANCE MOUNTS (307875)



# JD GPS GUIDANCE MOUNTS (307875)

| ITEM | PART NO. | DESCRIPTION   | QTY |
|------|----------|---|-----|
| 1    | 307876   | PLATE-GLOBE MOUNT RH                                | 1   |
| 2    | 307877   | PLATE-GLOBE MOUNT LH                                | 1   |
| 3    | 64244    | U-BOLT: .375 X 5.125 X 8.063 X 5.125                | 2   |
| 4    | 1014608  | WASHER-FLAT: SAE .38 ZP                             | 8   |
| 5    | 1016999  | NUT-TOPLOCK: .38 NC GR5 ZP                          | 8   |
| 6    | 307878   | PLATE-GLOBE MOUNT CONNECTION                        | 1   |
| 7    | 59488    | BOLT-CRG: .38 X 1.00 NC GR5 ZP                      | 4   |
| 8    | 307879   | PLATE-SENSOR MOUNT                                  | 1   |
| 9    | 307880   | PLATE-SENSOR SHEILD                                 | 1   |
| 10   | 1017255  | BOLT-CRG: .31 X 1.00 NC GR5 ZP                      | 2   |
| 11   | 1020506  | NUT-JAM: .31 NC GR2 ZP                              | 2   |
| 12   | 1011583  | WASHER-FLAT: .31 ZP                                 | 4   |
| 13   | 301749   | NUT-TOPLOCK: .31 NC GR8 ZP                          | 4   |
| 14   | 307881   | PLATE-SENSOR PIVOT ARM                              | 1   |
| 15   | 1032507  | BOLT-HEX: .50 X 4.00 NC GR5 ZP                      | 1   |
| 16   | 1027461  | NUT-TOPLOCK: .50 NC GR5 ZP                          | 1   |
| 17   | 306821   | SENSOR BRACKET-AHC                                  | 1   |
| 18   | 73492    | SENSOR-ROTARY POSITION                              | 1   |
| 19   | 306825   | SUPPORT-SHAFT AHC                                   | 1   |
| 20   | 306826   | O-RING  | 1   |
| 21   | 306836   | SCREW-MACH RND: #10-24 X 2.0" PHILLIPS              | 2   |
| 22   | 1026591  | NUT-K-LOCK: #10-24 NC GR2 ZP                        | 2   |
| 23   | 306822   | GROMMET-AHC SHAFT                                   | 1   |
| 24   | 306827   | SHAFT-AHC ZP  | 1   |
| 25   | 306895   | SNAP RING: FOR 1/2" OD- 0.46 ID X .035"             | 1   |
| 26   | 306823   | LEVER-AHC   | 1   |
| 27   | 306831   | BOLT-SHOULDER: 3/16" X 1.0" SHLD LNGTH X #8-32 THRD | 1   |
| 28   | 307497   | NUT-LOCK: #8-32 GR2 ZP THIN                         | 1   |
| 29   | 307885   | BOLT-CRG: .31 X 1.25 NC GR5 ZP                      | 2   |
| 30   | 307883   | ROD-SENSOR TURNBUCKLE                               | 1   |
| 31   | 306829   | BALL JOINT ROD END 1/4"-28 LH                       | 1   |
| 32   | 307884   | NUT-HEX: .25 NF GR5 ZP LH                           | 1   |
| 33   | 306828   | BALL JOINT ROD END 1/4"-28 RH                       | 1   |
| 34   | 1011579  | NUT-HEX: .25 NF GR2 ZP                              | 1   |
| 35   | 307882   | TUBE-SENSOR PIVOT ARM SPACER                        | 1   |
| 36   | 1016211  | BOLT-HEX: .25 X 2.00 NC GR5                         | 1   |
| 37   | 1013423  | BOLT-HEX: .25 X 1.00 NC GR5 ZP                      | 1   |
| 38   | 0100979  | WASHER-FLAT: SAE .25 ZP                             | 2   |
| 39   | 1030946  | NUT-TOPLOCK: .25 NC GR5 ZP                          | 2   |

# PTO STD 1-3/8" (306403)



## PTO STD 1-3/8" (306403)

---

| ITEM | PART NO. | DESCRIPTION                  | QTY |
|------|----------|------------------------------|-----|
| 1    | 54198    | YOKE-STD 1.375               | 1   |
| 2    | 305445   | CROSS KIT                    | 2   |
| 3    | 306407   | YOKE-OUTER TUBE G9           | 1   |
| 4    | 306408   | FLEXIBLE PIN G9              | 1   |
| 5    | 306409   | TUBE-OUTER G9                | 1   |
| 6    | 306410   | TUBE-INNER G9                | 1   |
| 7    | 55367    | PIN                          | 1   |
| 8    | 306411   | YOKE-INNER TUBE G9           | 1   |
| 9    | 305198   | CLUTCH-TORQUE LIMITER (STD)  | 1   |
| 10   | 306412   | SHIELD CONE-OUTER G9         | 2   |
| 11   | 68746    | BEARING-SHIELD OUTER         | 1   |
| 12   | 68748    | SCREW-SELF TAPPING           | 6   |
| 13   | 306413   | OUTER SHIELD G9              | 1   |
| 14   | 306414   | INNER SHIELD G9              | 1   |
| 15   | 68752    | BEARING-SHIELD INNER         | 1   |
| 16   | 69873    | CHAIN-COMPLETE (STD)         | 2   |
| 17   | 306415   | COLLAR-GREASE G9             | 1   |
| 18   | 63293    | DECAL-DRIVELINE              | 1   |
| 19   | 63294    | DECAL-DRIVELINE              | 1   |
| 20   | 69871    | KT-BALL COLLAR 1.375 (STD)   | 1   |
| 21   | 306406   | KT-COMPLETE SHIELD W/ CHAINS | 1   |



## PTO STD 1-3/4" (306404)

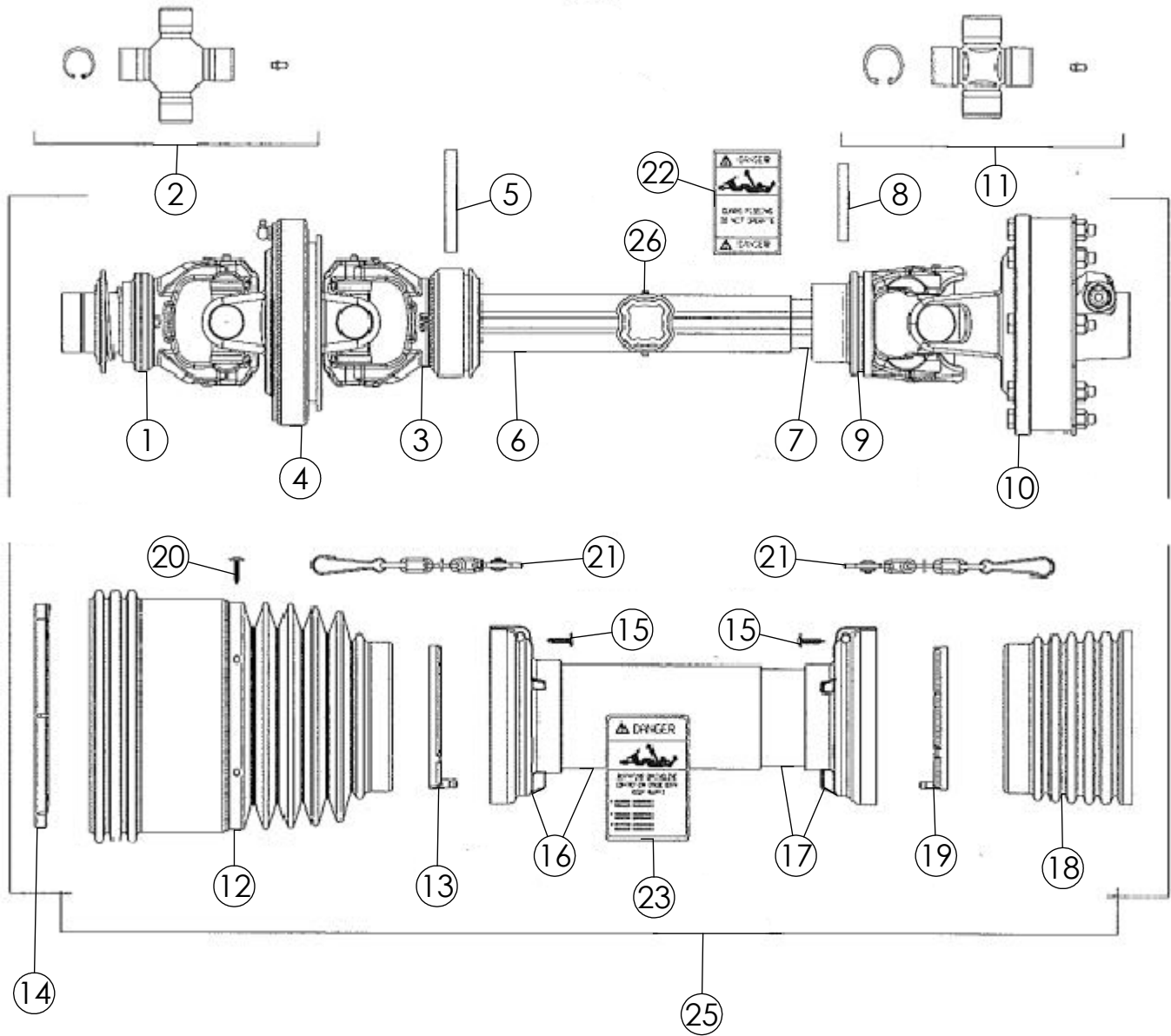
| ITEM | PART NO. | DESCRIPTION                  | QTY |
|------|----------|------------------------------|-----|
| 1    | 69866    | YOKE-STD 1.750               | 1   |
| 2    | 305445   | CROSS KIT                    | 2   |
| 3    | 306407   | YOKE-OUTER TUBE G9           | 1   |
| 4    | 306408   | FLEXIBLE PIN G9              | 1   |
| 5    | 306409   | TUBE-OUTER G9                | 1   |
| 6    | 306410   | TUBE-INNER G9                | 1   |
| 7    | 55367    | PIN                          | 1   |
| 8    | 306411   | YOKE-INNER TUBE G9           | 1   |
| 9    | 305198   | CLUTCH-TORQUE LIMITER (STD)  | 1   |
| 10   | 306412   | SHIELD CONE-OUTER G9         | 2   |
| 11   | 68746    | BEARING-SHIELD OUTER         | 1   |
| 12   | 68748    | SCREW-SELF TAPPING           | 6   |
| 13   | 306413   | OUTER SHIELD G9              | 1   |
| 14   | 306414   | INNER SHIELD G9              | 1   |
| 15   | 68752    | BEARING-SHIELD INNER         | 1   |
| 16   | 69873    | CHAIN-COMPLETE (STD)         | 2   |
| 17   | 306415   | COLLAR-GREASE G9             | 1   |
| 18   | 63293    | DECAL-DRIVELINE              | 1   |
| 19   | 63294    | DECAL-DRIVELINE              | 1   |
| 20   | 69872    | KT-BALL COLLAR 1.750 (STD)   | 1   |
| 21   | 306406   | KT-COMPLETE SHIELD W/ CHAINS | 1   |



# PTO CV 1-3/8" (69681)

| ITEM | PART NO. | DESCRIPTION                           | QTY |
|------|----------|---------------------------------------|-----|
| 1    | 68758    | YOKE-CV 1.375                         | 1   |
| 2    | 68735    | CROSS-KT                              | 1   |
| 3    | 68736    | YOKE-CV OUTER EXT TUBE                | 1   |
| 4    | 68737    | CENTRAL BODY-CV JOINT                 | 1   |
| 5    | 68738    | PIN-ROLL                              | 1   |
| 6    | 69684    | TUBE-DRIVE OUTER (CV)                 | 1   |
| 7    | 69685    | TUBE-DRIVE INNER (CV)                 | 1   |
| 8    | 68741    | PIN-ROLL                              | 1   |
| 9    | 68742    | YOKE-CV INNER TUBE                    | 1   |
| 10   | 305196   | CLUTCH-TORQUE LIMITER (CV)            | 1   |
| 11   | 68744    | KT-CROSS                              | 1   |
| 12   | 68745    | CONE-SHIELD OUTER                     | 1   |
| 13   | 68746    | BEARING-SHIELD OUTER                  | 1   |
| 14   | 68747    | BEARING-SHIELD CONE                   | 1   |
| 15   | 68748    | SCREW-SELF TAPPING                    | 6   |
| 16   | 68749    | SHIELD-SAFETY TUBE OUTER (CV)         | 1   |
| 17   | 68750    | SHIELD-SAFETY TUBE INNER (CV)         | 1   |
| 18   | 68751    | CONE-SHIELD INNER                     | 1   |
| 19   | 68752    | BEARING-SHIELD INNER                  | 1   |
| 20   | 69688    | SCREW-SELF TAPPING FLANGE HEAD        | 6   |
| 21   | 69689    | CHAIN-COMPLETE (CV)                   | 2   |
| 22   | 63293    | DECAL-DRIVELINE                       | 1   |
| 23   | 63294    | DECAL-DRIVELINE                       | 1   |
| 24   | 69690    | KT-BALL COLLAR 1.375 (CV) (NOT SHOWN) | 1   |
| 25   | 68760    | KT-SHIELD COMPLETE W/ CHAINS (CV)     | 1   |
| 26   | 69687    | ZERK-GREASE: M6 X 1 SHORT             | 1   |

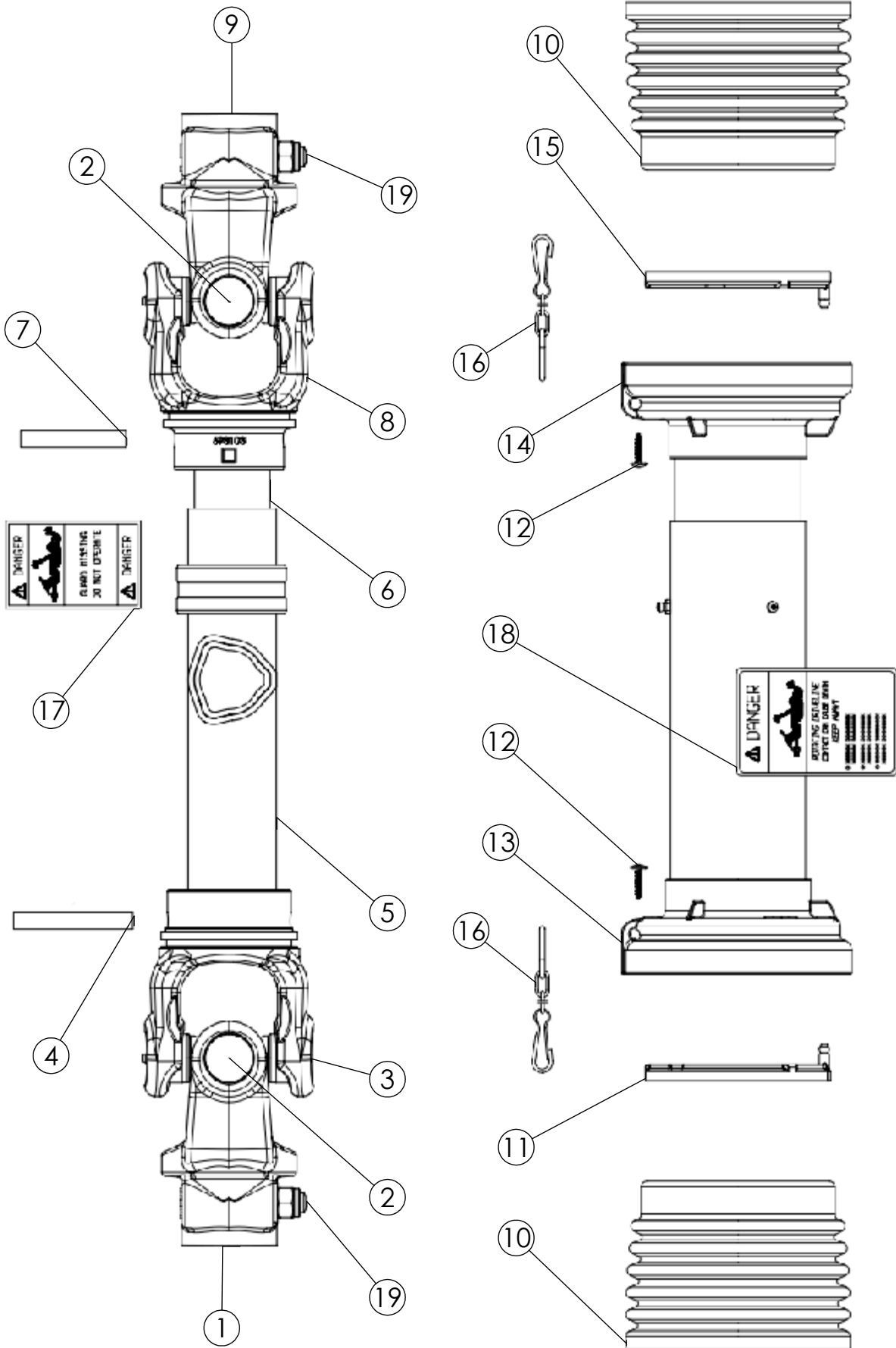
# PTO CV 1-3/4" (69682)



# PTO CV 1-3/4" (69682)

| ITEM | PART NO. | DESCRIPTION                           | QTY |
|------|----------|---------------------------------------|-----|
| 1    | 68734    | YOKE-CV 1.750                         | 1   |
| 2    | 68735    | CROSS-KT                              | 1   |
| 3    | 68736    | YOKE-CV OUTER EXT TUBE                | 1   |
| 4    | 68737    | CENTRAL BODY-CV JOINT                 | 1   |
| 5    | 68738    | PIN-ROLL                              | 1   |
| 6    | 69684    | TUBE-DRIVE OUTER (CV)                 | 1   |
| 7    | 69685    | TUBE-DRIVE INNER (CV)                 | 1   |
| 8    | 68741    | PIN-ROLL                              | 1   |
| 9    | 68742    | YOKE-CV INNER TUBE                    | 1   |
| 10   | 305196   | CLUTCH-TORQUE LIMITER (CV)            | 1   |
| 11   | 68744    | KT-CROSS                              | 1   |
| 12   | 68745    | CONE-SHIELD OUTER                     | 1   |
| 13   | 68746    | BEARING-SHIELD OUTER                  | 1   |
| 14   | 68747    | BEARING-SHIELD CONE                   | 1   |
| 15   | 68748    | SCREW-SELF TAPPING                    | 6   |
| 16   | 68749    | SHIELD-SAFETY TUBE OUTER (CV)         | 1   |
| 17   | 68750    | SHIELD-SAFETY TUBE INNER (CV)         | 1   |
| 18   | 68751    | CONE-SHIELD INNER                     | 1   |
| 19   | 68752    | BEARING-SHIELD INNER                  | 1   |
| 20   | 69688    | SCREW-SELF TAPPING FLANGE HEAD        | 6   |
| 21   | 69689    | CHAIN-COMPLETE (CV)                   | 2   |
| 22   | 63293    | DECAL-DRIVELINE                       | 1   |
| 23   | 63294    | DECAL-DRIVELINE                       | 1   |
| 24   | 68755    | KT-BALL COLLAR 1.750 (CV) (NOT SHOWN) | 1   |
| 25   | 68760    | KT-SHIELD COMPLETE W/ CHAINS (CV)     | 1   |
| 26   | 69687    | ZERK-GREASE: M6 X 1 SHORT             | 1   |

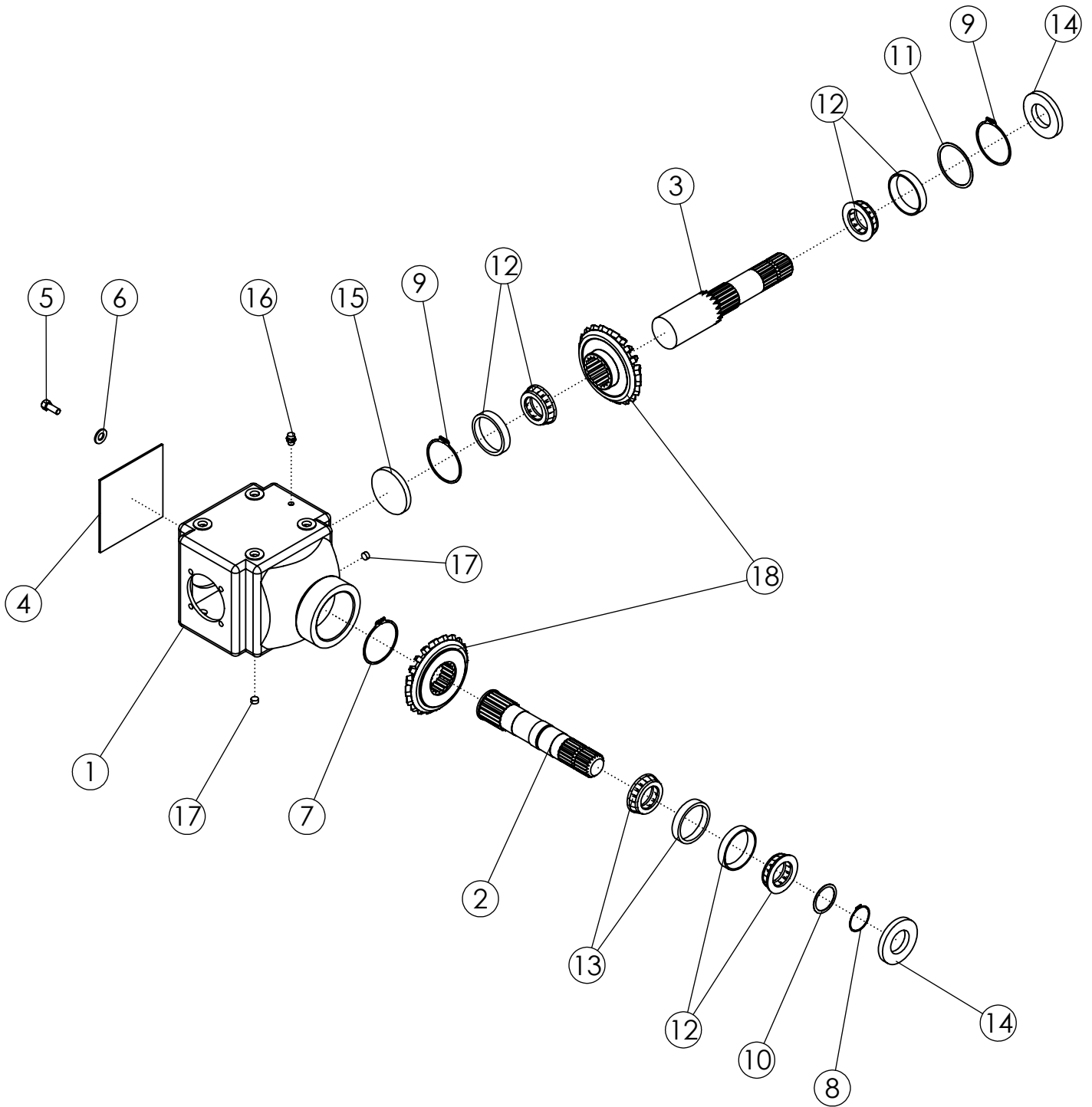
# PTO CROSS SHAFT 8R (306401)



# PTO CROSS SHAFT 8R (306401)

| ITEM | PART NO. | DESCRIPTION                    | QTY |
|------|----------|--------------------------------|-----|
| 1    | 306942   | YOKE-S9 1-3/4Z20               | 1   |
| 2    | 305445   | CROSS KIT                      | 2   |
| 3    | 306407   | YOKE-OUTER TUBE G9             | 1   |
| 4    | 306408   | FLEXIBLE PIN G9                | 1   |
| 5    | 306943   | TUBE-CARDAN OUTER 12522 L=1295 | 1   |
| 6    | 306944   | TUBE-CARDAN 12512 L=635        | 1   |
| 7    | 55367    | PIN                            | 1   |
| 8    | 306411   | YOKE-INNER TUBE G9             | 1   |
| 9    | 68731    | YOKE-COUPLER TAPER PIN 1.750   | 1   |
| 10   | 306412   | SHIELD CONE-OUTER G9           | 2   |
| 11   | 68746    | BEARING SHIELD OUTER           | 1   |
| 12   | 68748    | SCREW-SELF TAPPING             | 6   |
| 13   | 306945   | SHIELD-TUBE OUTER G9 *148* U2  | 1   |
| 14   | 306946   | SHIELD-TUBE INNER G9 *148* U2  | 1   |
| 15   | 68752    | BEARING-SHIELD INNER           | 1   |
| 16   | 69873    | CHAIN-COMPLETE (STD)           | 2   |
| 17   | 63293    | DECAL-DRIVELINE                | 1   |
| 18   | 63294    | DECAL-DRIVELINE                | 1   |
| 19   | 68782    | KT-TAPER PIN 1.750             | 2   |

# GEARBOX 1.35:1 L (68065)

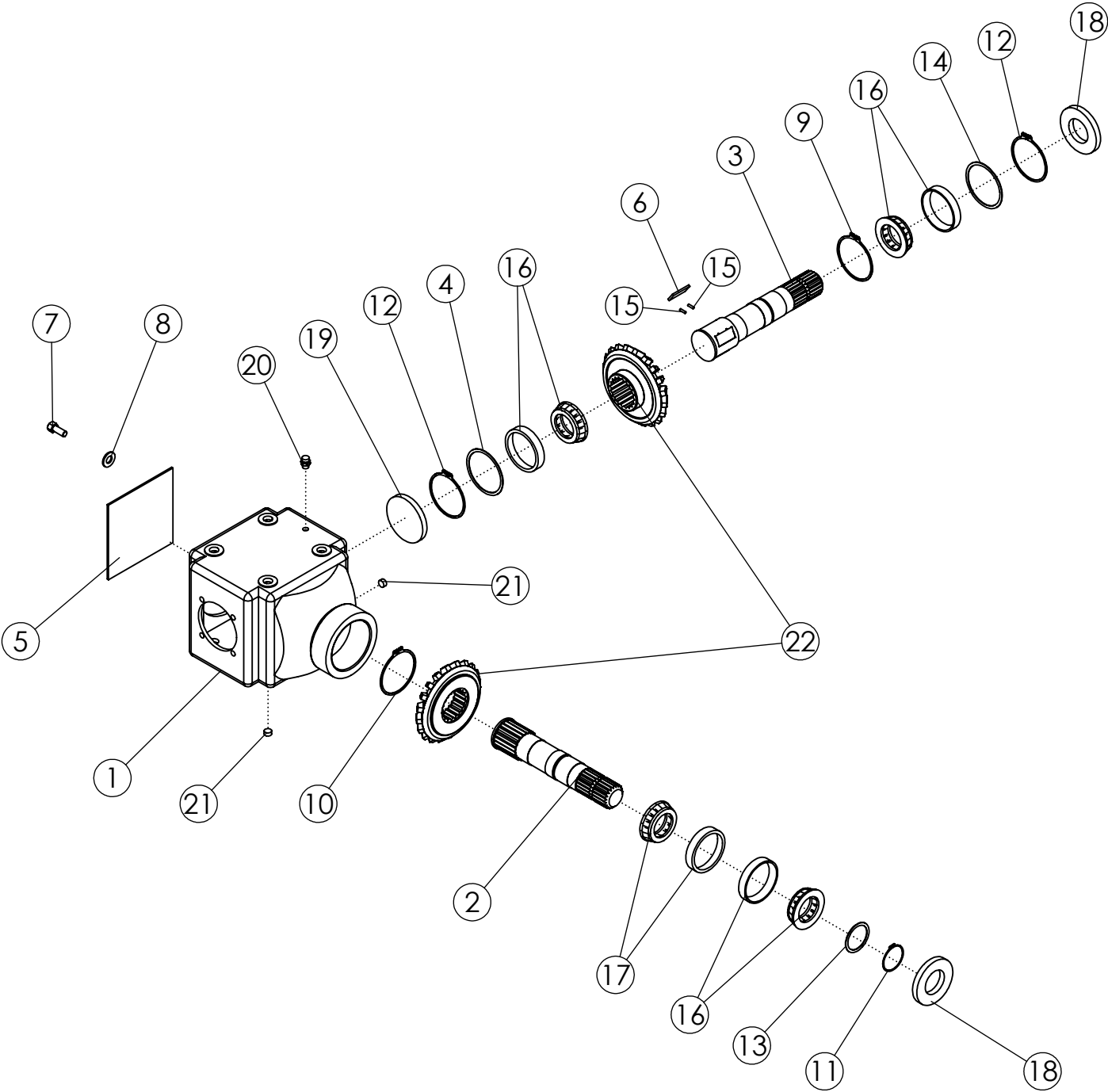


## GEARBOX 1.35:1 L (68065)

---

| ITEM | PART NO. | DESCRIPTION                            | QTY |
|------|----------|--|-----|
| 1    | 68181    | HOUSING-GEARBOX                        | 1   |
| 2    | 68182    | SHAFT                                  | 1   |
| 3    | 68183    | SHAFT-INPUT                            | 1   |
| 4    | 68184    | SLEEVE                                 | 1   |
| 5    | 68185    | SCREW-BOLT HEX M10 X 25 CL8.8          | 8   |
| 6    | 68186    | WASHER                                 | 8   |
| 7    | 52521    | SNAP RING: EXTERNAL                    | 1   |
| 8    | 54209    | SNAP RING                              | 1   |
| 9    | 54210    | SNAP RING                              | 2   |
| 10   | 64421    | KT-SPACER RING                         | 1   |
| 11   | 64422    | KT-SPACER RING                         | 1   |
| 12   | 54212    | 1025072 BEARING ROLLER                 | 3   |
| 13   | 68187    | BEARING-ROLLER                         | 1   |
| 14   | 54214    | 1025074 SEALING RING                   | 2   |
| 15   | 54217    | CLOSING CAP                            | 1   |
| 16   | 54204    | VENT PLUG                              | 1   |
| 17   | 54215    | 1025075 OIL PLUG - 3/8" BSPT (TAPERED) | 5   |
| 18   | 68188    | GEAR SET                               | 1   |

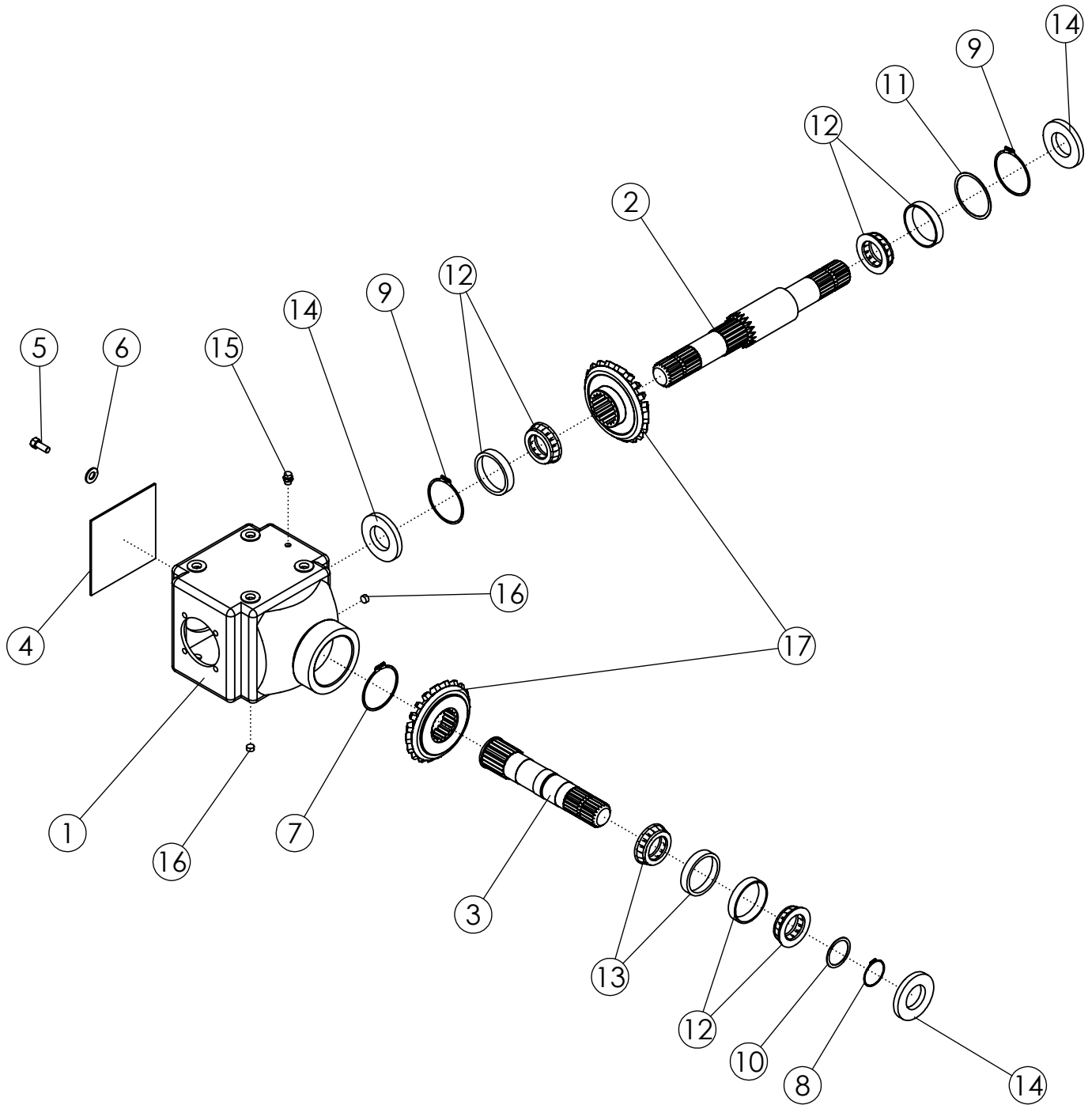
# GEARBOX 1.35:1 L W/ OVERRUN CLUTCH (68066)



# GEARBOX 1.35:1 L W/ OVERRUN CLUTCH (68066)

| ITEM | PART NO. | DESCRIPTION                            | QTY |
|------|----------|--|-----|
| 1    | 68181    | HOUSING-GEARBOX                        | 1   |
| 2    | 68182    | SHAFT                                  | 1   |
| 3    | 68189    | SHAFT-OUTPUT                           | 1   |
| 4    | 68190    | SLEEVE                                 | 1   |
| 5    | 68184    | SLEEVE                                 | 1   |
| 6    | 68191    | PLUG                                   | 6   |
| 7    | 68185    | SCREW-BOLT HEX M10 X 25 CL8.8          | 8   |
| 8    | 68186    | WASHER                                 | 8   |
| 9    | 68196    | SNAP RING-EXTERNAL                     | 1   |
| 10   | 52521    | SNAP RING: EXTERNAL                    | 1   |
| 11   | 54209    | SNAP RING                              | 1   |
| 12   | 54210    | SNAP RING                              | 2   |
| 13   | 64421    | KT-SPACER RING                         | 1   |
| 14   | 64422    | KT-SPACER RING                         | 1   |
| 15   | 59960    | SPRING-GEARBOX SHAFT                   | 12  |
| 16   | 54212    | 1025072 BEARING ROLLER                 | 3   |
| 17   | 68187    | BEARING-ROLLER                         | 1   |
| 18   | 54214    | 1025074 SEALING RING                   | 2   |
| 19   | 54217    | CLOSING CAP                            | 1   |
| 20   | 54204    | VENT PLUG                              | 1   |
| 21   | 54215    | 1025075 OIL PLUG - 3/8" BSPT (TAPERED) | 5   |
| 22   | 68192    | GEAR SET                               | 1   |

# GEARBOX 1.35:1 T (68067)

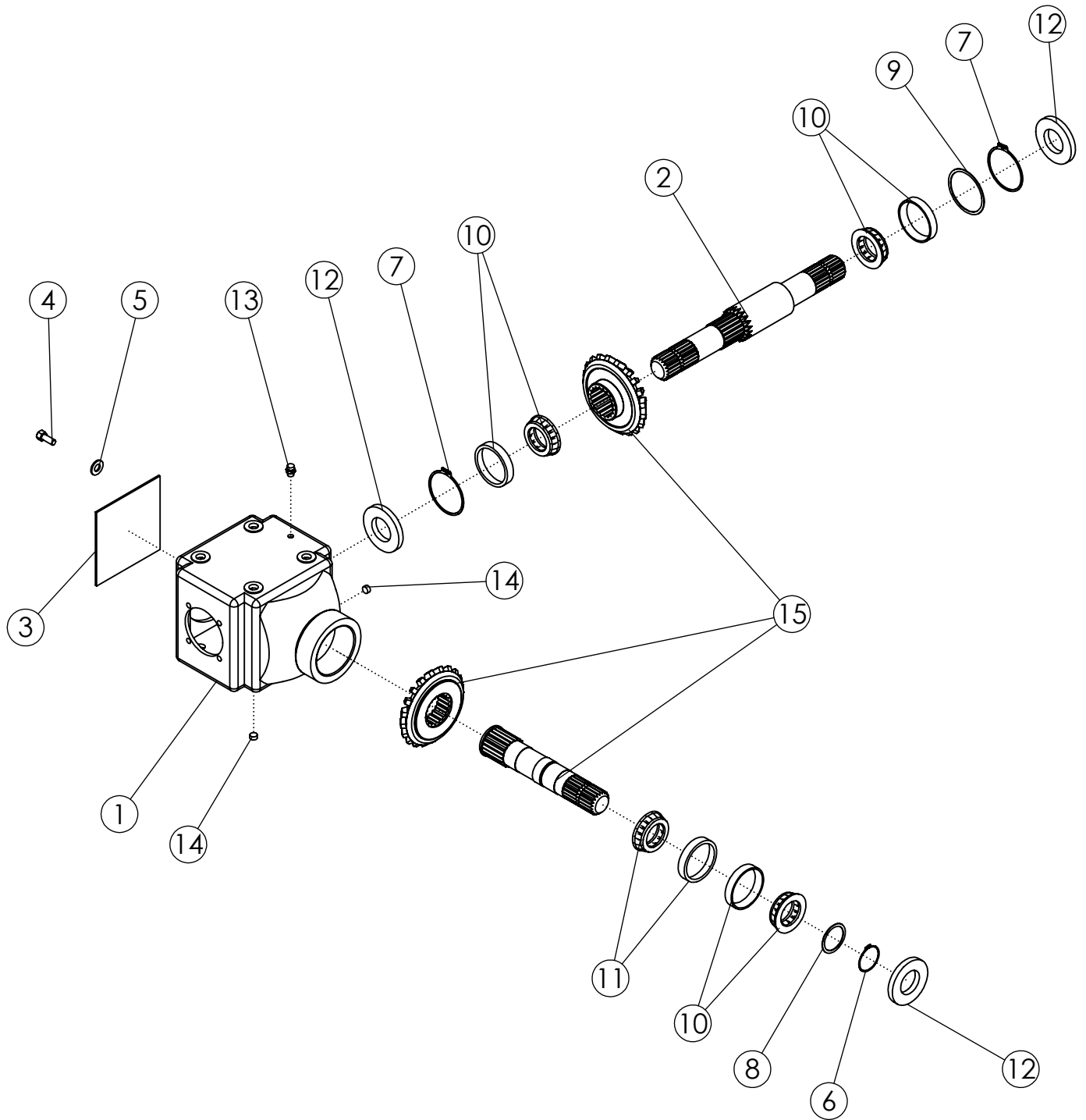


# GEARBOX 1.35:1 T (68067)

---

| ITEM | PART NO. | DESCRIPTION                            | QTY |
|------|----------|--|-----|
| 1    | 68181    | HOUSING-GEARBOX                        | 1   |
| 2    | 68193    | SHAFT-THRU                             | 1   |
| 3    | 68194    | SHAFT                                  | 1   |
| 4    | 68184    | SLEEVE                                 | 1   |
| 5    | 68185    | SCREW-BOLT HEX M10 X 25 CL8.8          | 8   |
| 6    | 68186    | WASHER                                 | 8   |
| 7    | 52521    | SNAP RING: EXTERNAL                    | 1   |
| 8    | 54209    | SNAP RING                              | 1   |
| 9    | 54210    | SNAP RING                              | 2   |
| 10   | 64421    | KT-SPACER RING                         | 1   |
| 11   | 64422    | KT-SPACER RING                         | 1   |
| 12   | 54212    | 1025072 BEARING ROLLER                 | 3   |
| 13   | 68187    | BEARING-ROLLER                         | 1   |
| 14   | 54214    | 1025074 SEALING RING                   | 3   |
| 15   | 54204    | VENT PLUG                              | 1   |
| 16   | 54215    | 1025075 OIL PLUG - 3/8" BSPT (TAPERED) | 5   |
| 17   | 68188    | GEAR SET                               | 1   |

# GEARBOX 1:1.93 T (68068)



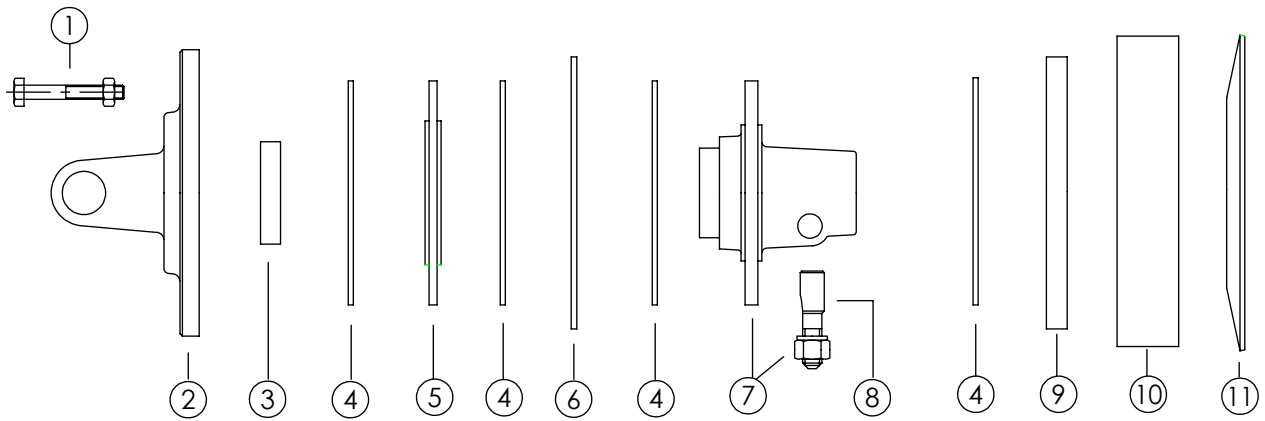
# GEARBOX 1:1.93 T (68068)

---

| ITEM | PART NO. | DESCRIPTION                            | QTY |
|------|----------|--|-----|
| 1    | 68181    | HOUSING-GEARBOX                        | 1   |
| 2    | 68193    | SHAFT-THRU                             | 1   |
| 3    | 68184    | SLEEVE                                 | 1   |
| 4    | 68185    | SCREW-BOLT HEX M10 X 25 CL8.8          | 8   |
| 5    | 68186    | WASHER                                 | 8   |
| 6    | 54209    | SNAP RING                              | 1   |
| 7    | 54210    | SNAP RING                              | 2   |
| 8    | 64421    | KT-SPACER RING                         | 1   |
| 9    | 64422    | KT-SPACER RING                         | 1   |
| 10   | 54212    | 1025072 BEARING ROLLER                 | 3   |
| 11   | 68187    | BEARING-ROLLER                         | 1   |
| 12   | 54214    | 1025074 SEALING RING                   | 3   |
| 13   | 54204    | VENT PLUG                              | 1   |
| 14   | 54215    | 1025075 OIL PLUG - 3/8" BSPT (TAPERED) | 5   |
| 15   | 68195    | GEAR SET                               | 1   |

# TORQUE LIMITER CV (305196)

---



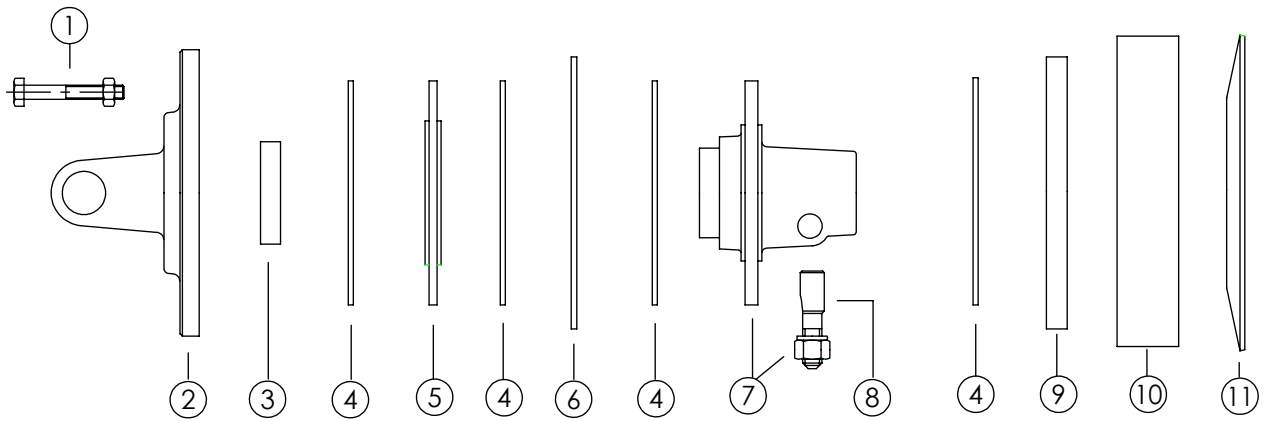
# TORQUE LIMITER CV (305196)

---

| ITEM | PART NO. | DESCRIPTION              | QTY |
|------|----------|--------------------------|-----|
| 1    | 63300    | SCREW & NUT              | 8   |
| 2    | 69693    | YOKE-FLANGE (CV)         | 1   |
| 3    | 63295    | BUSHING                  | 1   |
| 4    | 69692    | FIBER DISC-CLUTCH LINING | 4   |
| 5    | 69858    | PLATE-LINING SUPPORT     | 1   |
| 6    | 69859    | PLATE-INNER              | 1   |
| 7    | 69860    | HUB                      | 1   |
| 8    | 68782    | KT-TAPER PIN 1.750       | 1   |
| 9    | 69861    | PLATE-THRUST             | 1   |
| 10   | 69862    | SPACER-CLUTCH            | 1   |
| 11   | 305197   | SPRING-CLUTCH (2200NM)   | 1   |

# TORQUE LIMITER STD (305198)

---



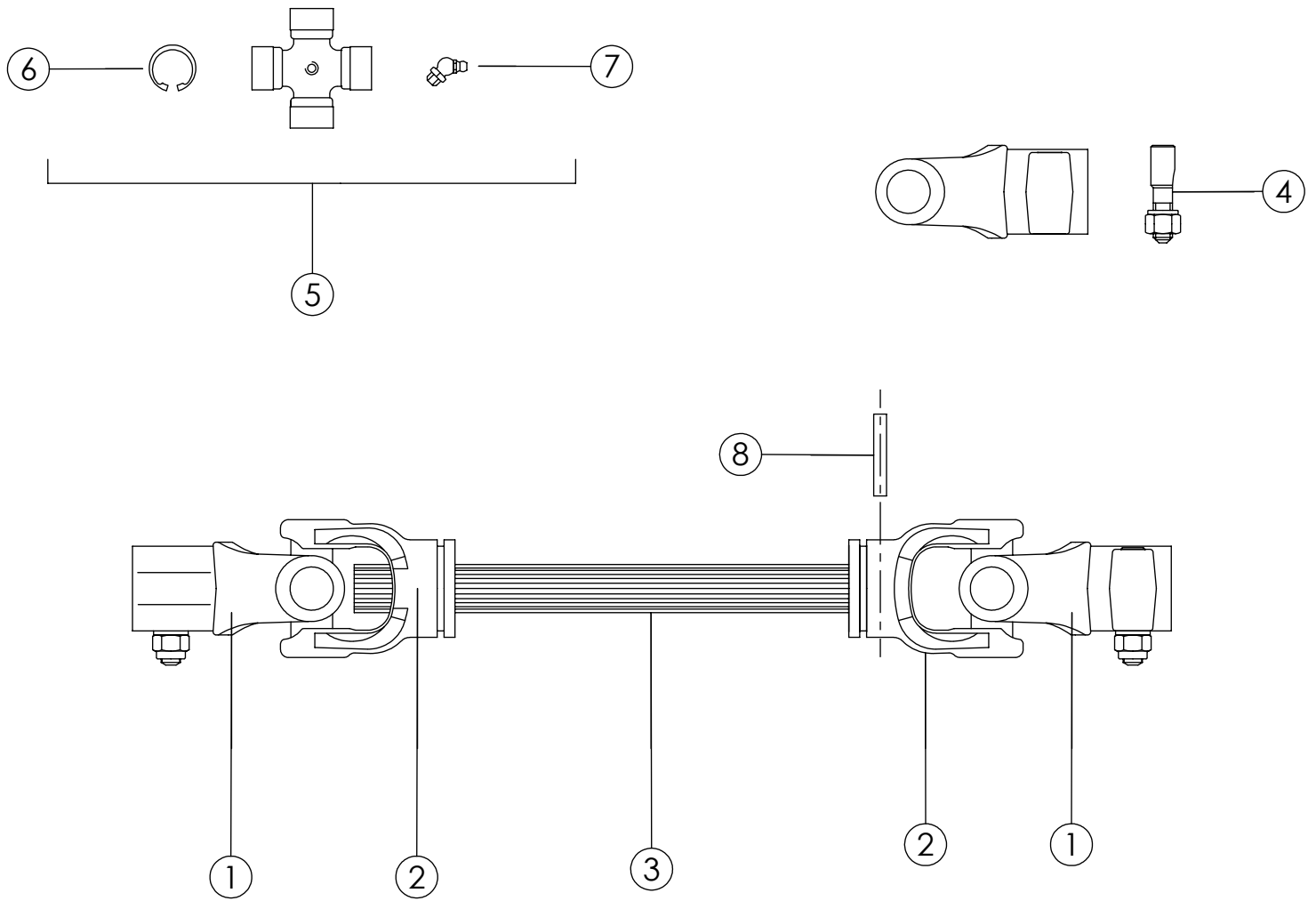
# TORQUE LIMITER STD (305198)

---

| ITEM | PART NO. | DESCRIPTION              | QTY |
|------|----------|--------------------------|-----|
| 1    | 63300    | SCREW & NUT              | 8   |
| 2    | 69864    | YOKE-FLANGE (STD)        | 1   |
| 3    | 63295    | BUSHING                  | 1   |
| 4    | 69692    | FIBER DISC-CLUTCH LINING | 4   |
| 5    | 69858    | PLATE-LINING SUPPORT     | 1   |
| 6    | 69859    | PLATE-INNER              | 1   |
| 7    | 69860    | HUB                      | 1   |
| 8    | 68782    | KT-TAPER PIN 1.750       | 1   |
| 9    | 69861    | PLATE-THRUST             | 1   |
| 10   | 69862    | SPACER-CLUTCH            | 1   |
| 11   | 305197   | SPRING-CLUTCH (2200NM)   | 1   |

# SIDE DRIVELINE (52397)

---

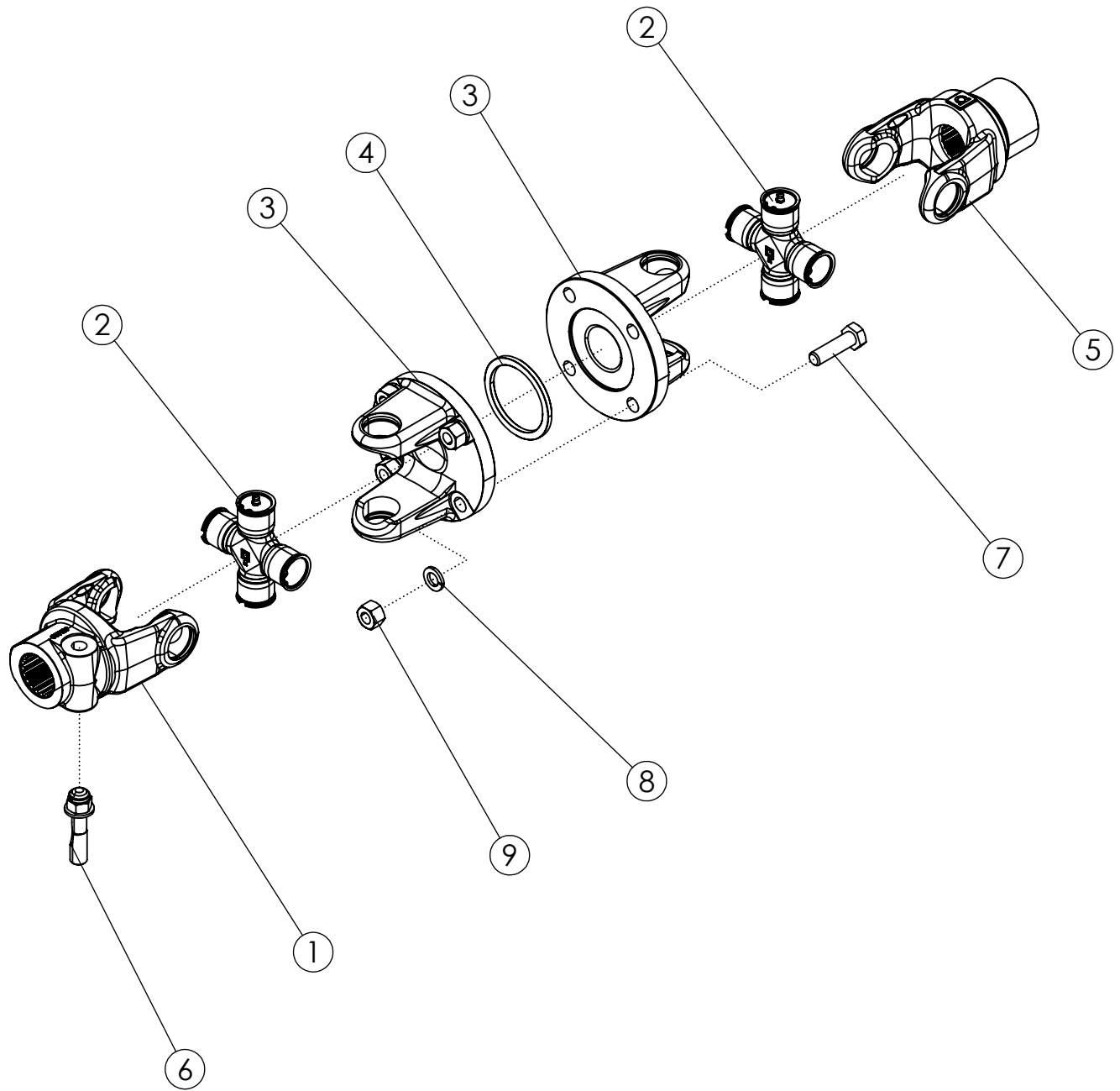


## SIDE DRIVELINE (52397)

---

| ITEM | PART NO. | DESCRIPTION                  | QTY |
|------|----------|------------------------------|-----|
| 1    | 68731    | YOKE-COUPLER TAPER PIN 1.750 | 2   |
| 2    | 54244    | SHAFT YOKE                   | 2   |
| 3    | 63593    | SHAFT-SPLINED                | 1   |
| 4    | 63594    | KT-TAPER PIN                 | 2   |
| 5    | 54235    | 1025104 CROSS KT             | 2   |
| 6    | 55361    | CIRCLIP                      | 8   |
| 7    | 63440    | ZERK M8-1.0                  | 2   |
| 8    | 63472    | PIN-ROLL                     | 1   |

# U-JOINT COUPLER (68443)

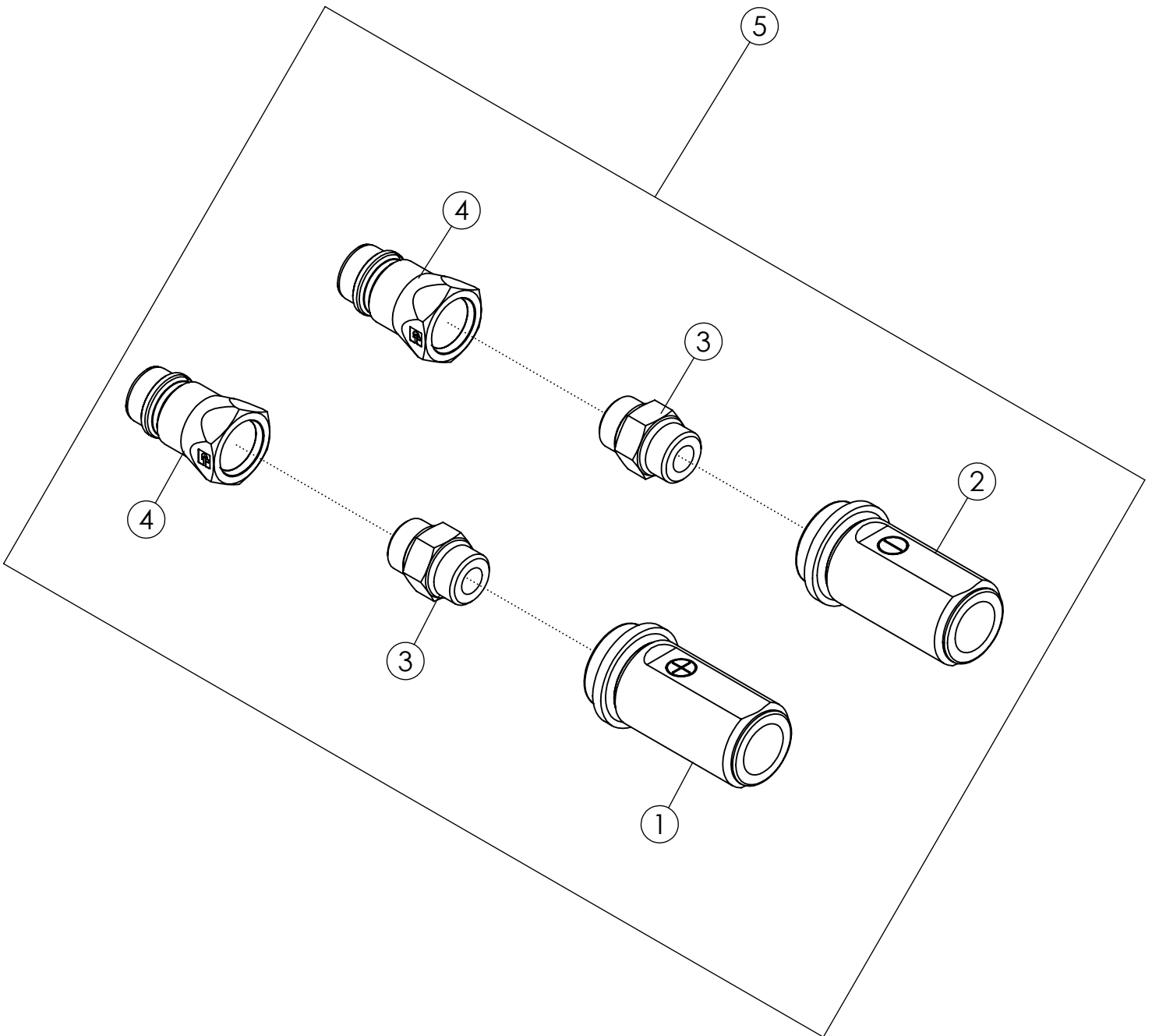


## U-JOINT COUPLER (68443)

---

| ITEM | PART NO. | DESCRIPTION                        | QTY |
|------|----------|------------------------------------|-----|
| 1    | 68731    | YOKE-COUPLER TAPER PIN 1.750       | 1   |
| 2    | 54235    | 1025104 CROSS KT                   | 2   |
| 3    | 68780    | FLANGE-YOKE COUPLER                | 2   |
| 4    | 68781    | PLATE-LINER COUPLER                | 1   |
| 5    | 68732    | YOKE COUPLER 1.750                 | 1   |
| 6    | 68782    | KT-TAPER PIN 1.750                 | 1   |
| 7    | 69019    | BOLT-HEX: M14 X 2.0 X L50 CL8.8 ZP | 4   |
| 8    | 68591    | WASHER-LOCK: M14                   | 4   |
| 9    | 68444    | NUT-HEX: M14                       | 4   |

# HYDRAULIC COUPLER ASSEMBLY

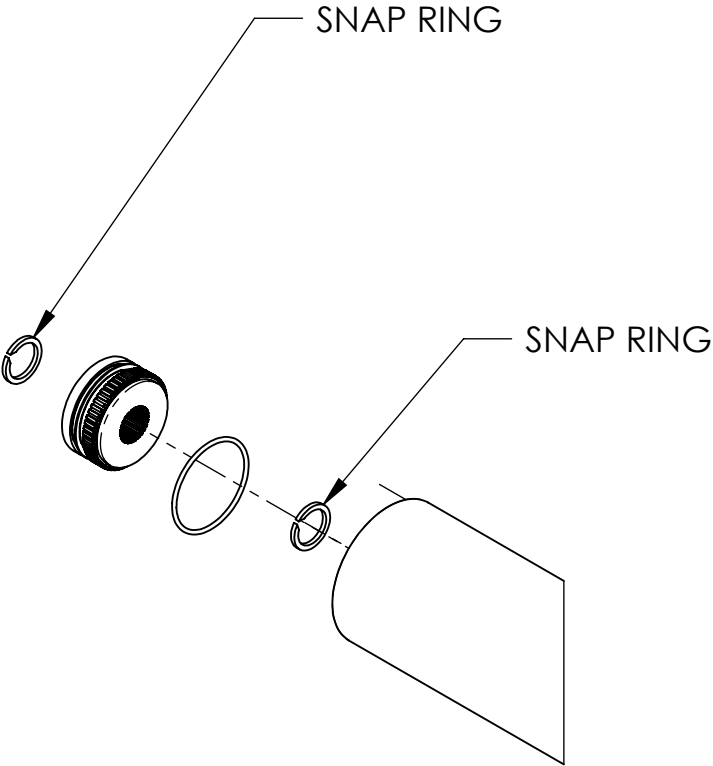
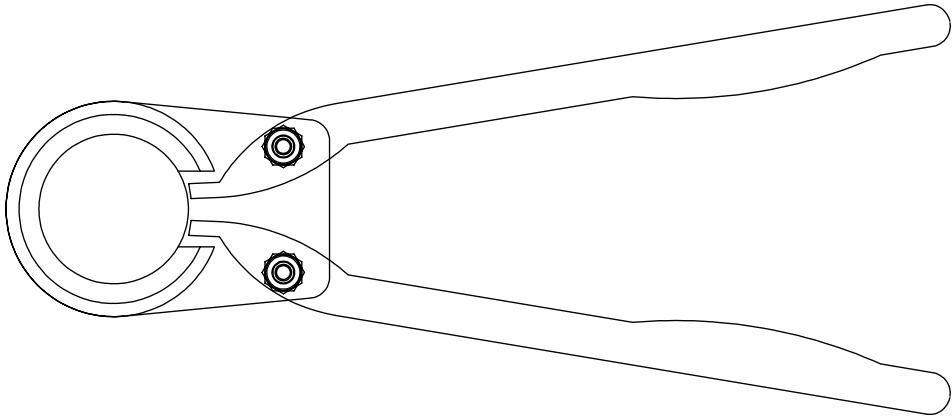


# HYDRAULIC COUPLER ASSEMBLY

| ITEM | PART NO. | DESCRIPTION                        | QTY |
|------|----------|------------------------------------|-----|
| 1    | 304170   | HYD LABEL: 8FB-8FB RED ( + )       | 1   |
|      | 304172   | HYD LABEL: 8FB-8FB BLACK ( + )     | 1   |
|      | 304174   | HYD LABEL: 8FB-8FB BLUE ( + )      | 1   |
|      | 304176   | HYD LABEL: 8FB-8FB GREEN ( + )     | 1   |
|      | 304178   | HYD LABEL: 8FB-8FB GOLD ( + )      | 1   |
|      | 304180   | HYD LABEL: 8FB-8FB SILVER ( + )    | 1   |
|      | 304182   | HYD LABEL: 8FB-8FB PURPLE ( + )    | 1   |
| 2    | 304171   | HYD LABEL: 8FB-8FB RED ( - )       | 1   |
|      | 304173   | HYD LABEL: 8FB-8FB BLACK ( - )     | 1   |
|      | 304175   | HYD LABEL: 8FB-8FB BLUE ( - )      | 1   |
|      | 304177   | HYD LABEL: 8FB-8FB GREEN ( - )     | 1   |
|      | 304179   | HYD LABEL: 8FB-8FB GOLD ( - )      | 1   |
|      | 304181   | HYD LABEL: 8FB-8FB SILVER ( - )    | 1   |
|      | 304183   | HYD LABEL: 8FB-8FB PURPLE ( - )    | 1   |
| 3    | 304184   | FTG-ADAPTER: 8MB-8MB SOLID         | 2   |
| 4    | 36290    | PIONEER TIP 8010-15P (#8 ORB)      | 2   |
| 5    | 304185   | ASSY-TRACTOR HYD COUPLERS (RED)    | 1   |
|      | 304186   | ASSY-TRACTOR HYD COUPLERS (BLACK)  | 1   |
|      | 304187   | ASSY-TRACTOR HYD COUPLERS (BLUE)   | 1   |
|      | 304188   | ASSY-TRACTOR HYD COUPLERS (GREEN)  | 1   |
|      | 304189   | ASSY-TRACTOR HYD COUPLERS (GOLD)   | 1   |
|      | 304190   | ASSY-TRACTOR HYD COUPLERS (SILVER) | 1   |
|      | 304191   | ASSY-TRACTOR HYD COUPLERS (PURPLE) | 1   |

# SNAP RING PLIERS (69055)

---



SHAFT REMOVED FOR CLARITY