

# PARTS MANUAL

2026

Crop Chaser 1000

**Amity**  
TECHNOLOGY



2800 7<sup>th</sup> Avenue North  
Fargo, ND 58108

Phone: (701) 232-4199  
Fax: (701) 234-1716  
[www.amitytech.com](http://www.amitytech.com)



## TABLE OF CONTENTS

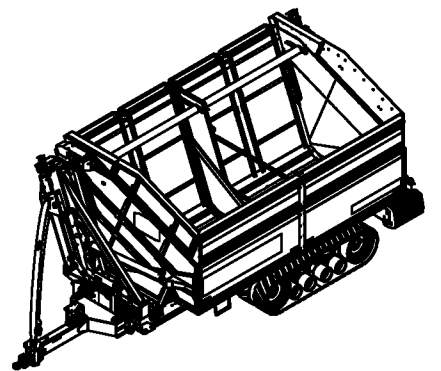
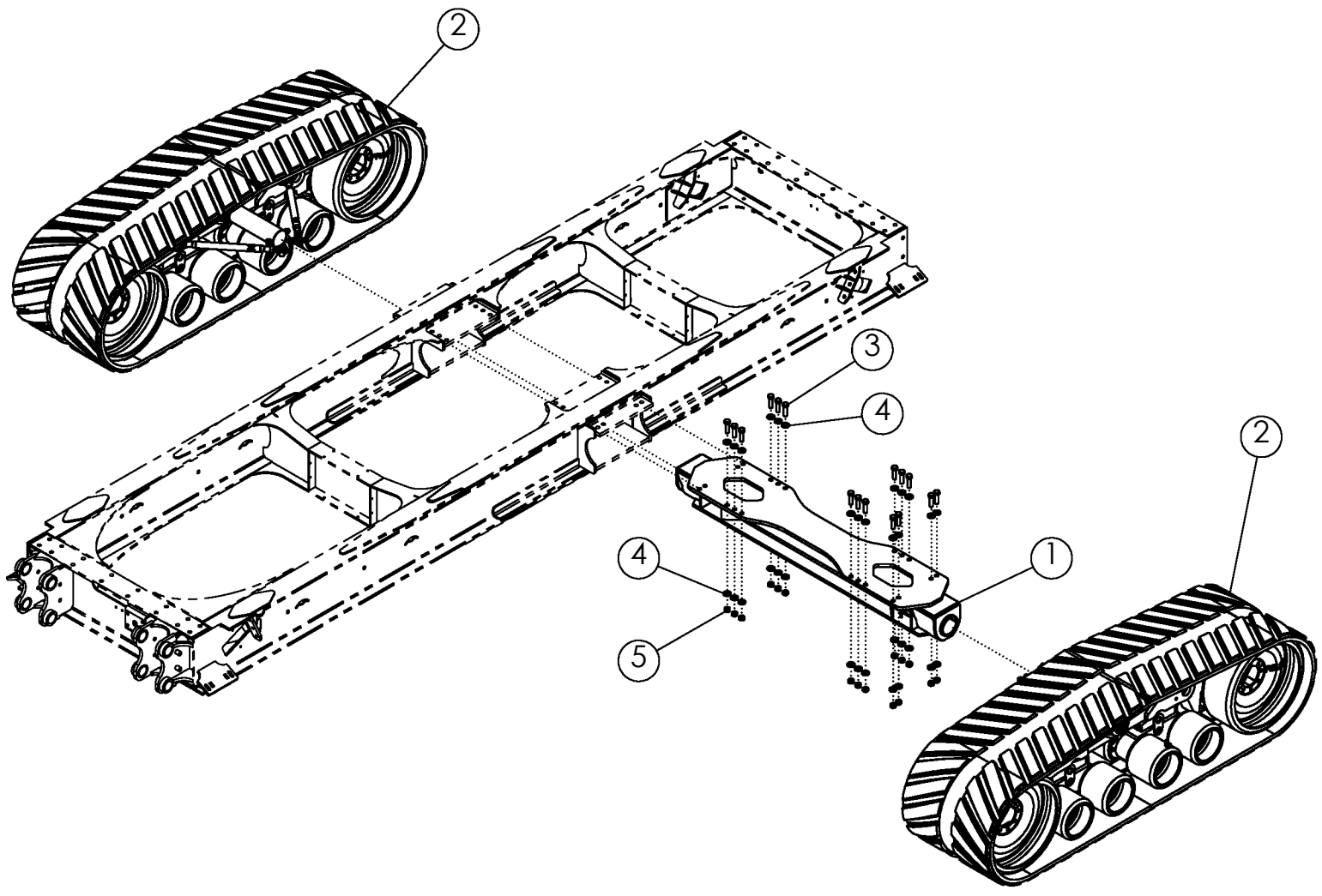
AXLE.....	1-2
HITCH.....	3-4
LADDER FRAME .....	5-6
TRIANGLE FRAME FRONT .....	7-8
TRIANGLE FRAME REAR.....	9-10
TRIANGLE AND LADDER SUB .....	11-12
TRUSS FRAME.....	13-14
ARCH.....	15-16
UNLOAD WALL .....	17-18
TANK.....	19-22
FEED ROLLER TUBE KIT .....	23-24
TANK DOOR FRONT .....	25-26
TANK DOOR REAR.....	27-28
WEIGHT KIT .....	29-30
LIGHT KIT .....	31-32
LIGHT KIT HARNESSSES .....	33-34
CAMERA KIT HARNESSSES.....	35-36
HYDRAULIC JACK .....	37-38
FLOOR CHAIN MOTORS.....	39-40
FILL WALL RUBBER .....	41-42
TANK ACCESS DOOR.....	43-44
TANK TOP EXTENSION FRONT .....	45-46
TANK TOP EXTENSION REAR .....	47-48
HOOK ON GRAIN CHUTE .....	49-50
UNLOAD CHAIN WIPER .....	51-52
TOP DOOR LOCK BAR .....	53-54
TANK SLIDE GATE .....	55-56
TANK LADDER.....	57-58
HAUNCH .....	59-60
REVERSE HITCH .....	61-62
TRUSS ARM SHORT.....	63-64
TRUSS ARM LONG .....	65-66
MUDFLAPS.....	67-68
SCALE SYSTEM (HITCH).....	69-70
LIBRA MOUNT ASSEMBLY .....	71-72
ENCLOSED LIBRA BOX.....	73-74
LADDER FRAME ROLLER .....	75-76
SAFETY PINS.....	77-78
HOSE TRAY.....	79-80
GREASE LINES.....	81-82
HYDRAULIC MOUNTING .....	83-84
HYDRAULIC HOSE CLAMPS.....	85-92
LIFT CYLINDER HYDRAULICS .....	93-94
TILT CYLINDER HYDRAULICS.....	95-96
FRONT MOTOR HYDRAULICS .....	97-98
REAR MOTOR HYDRAULICS.....	99-100
TANK DOOR HYDRAULICS.....	101-102
JACK HYDRAULICS .....	103-104
HYDRAULIC COUPLER ASSEMBLY .....	105-106
MANUAL STORAGE.....	107-108

(CONTINUED)



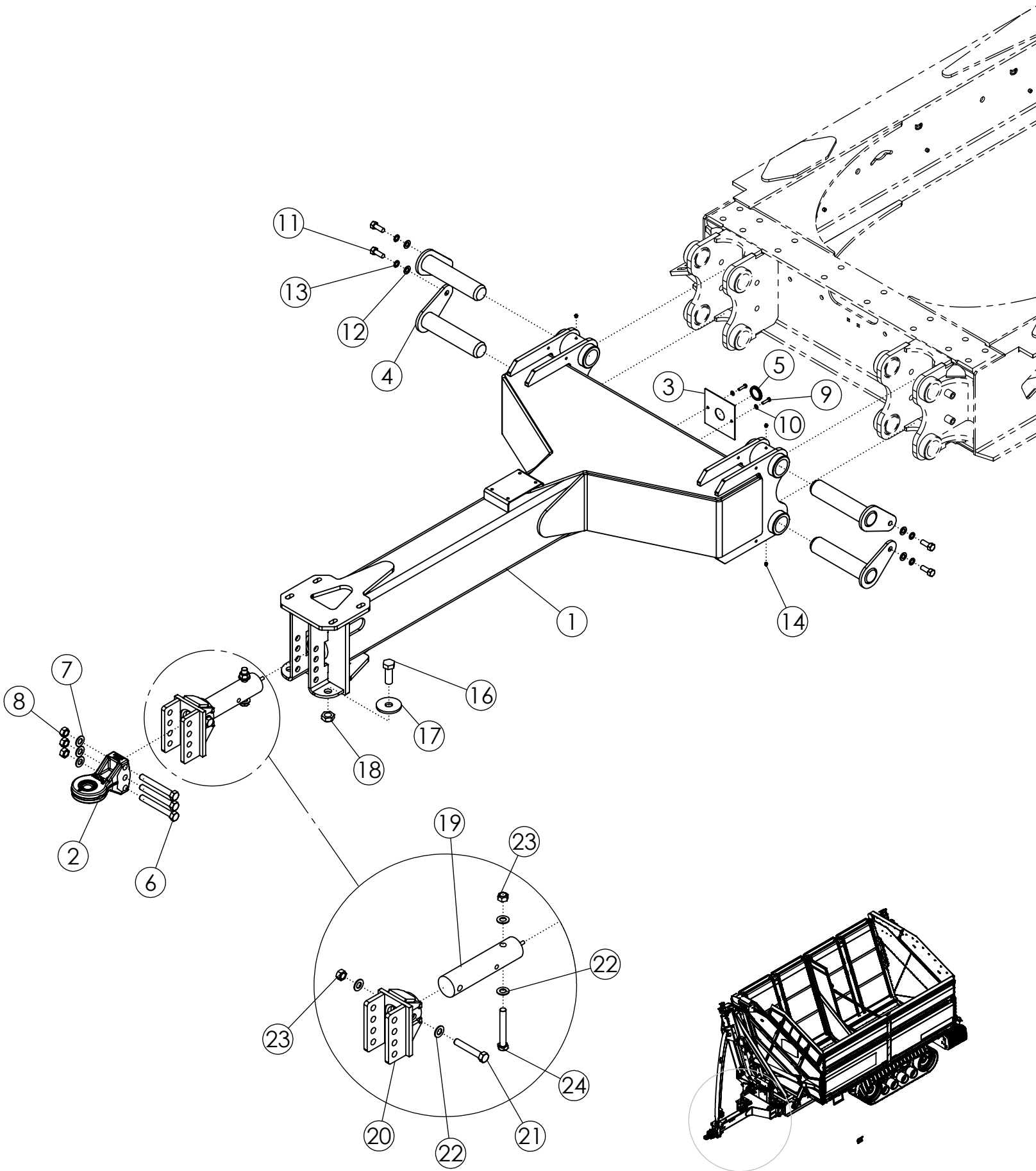
TABLE OF CONTENTS (CONTINUED)

DECALS .....	109-114
APPENDIX	
CAMSO TRACKS PARTS MANUAL .....	A1-A22

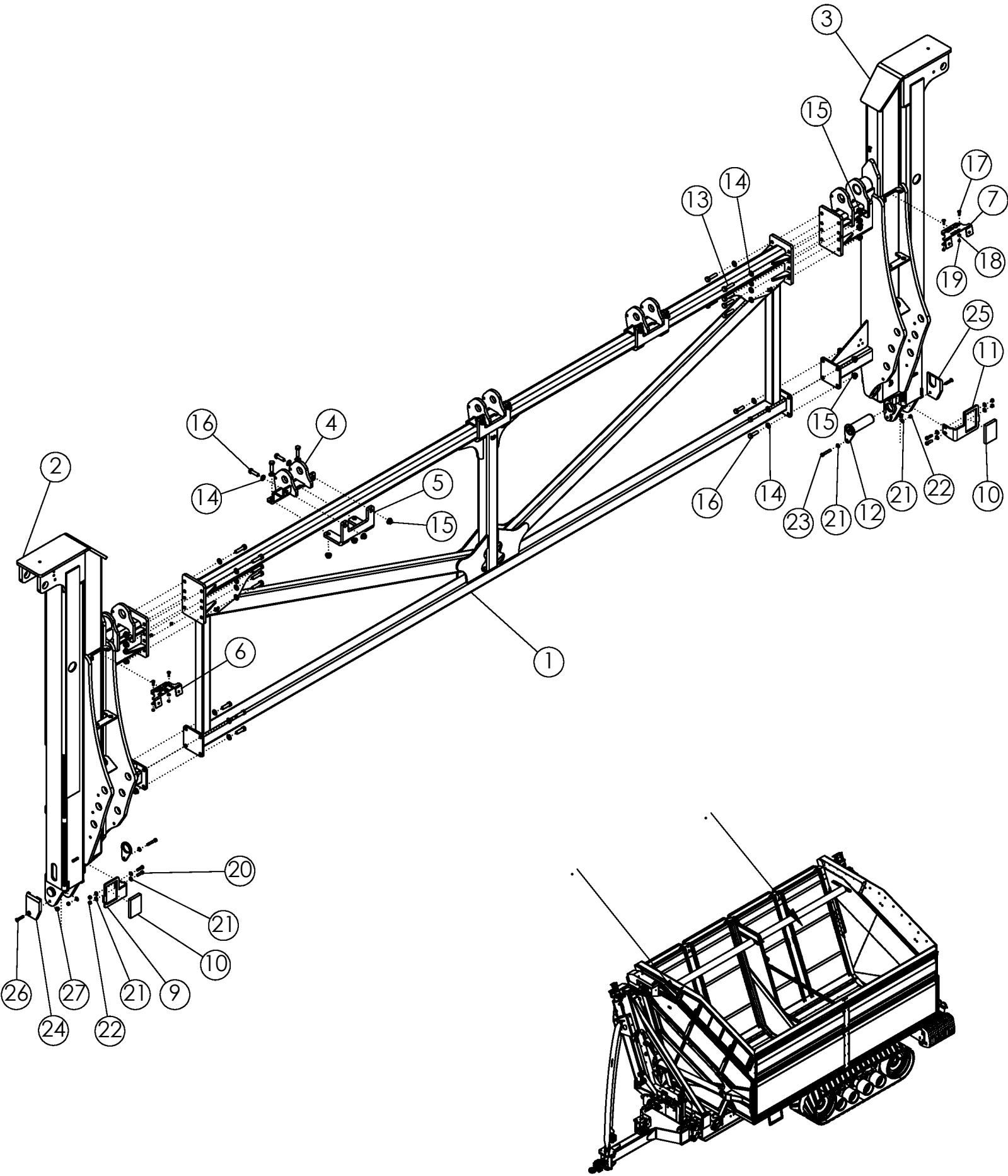


## AXLE

ITEM	PART NO.	DESCRIPTION	QTY
1	318129	AXLE-CC1000	1
2	310003	TRACKS-CAMOPLAST TTS-100-3613 PAIR	1
3	1032276	BOLT-HEX: 1.00 X 3.50 NC GR8 ZP	16
4	1030728	WASHER-FLAT: SAE 1.00 ZP GR8	32
5	1016969	NUT-TOPLOCK: 1.00 NC GR5 ZP	16

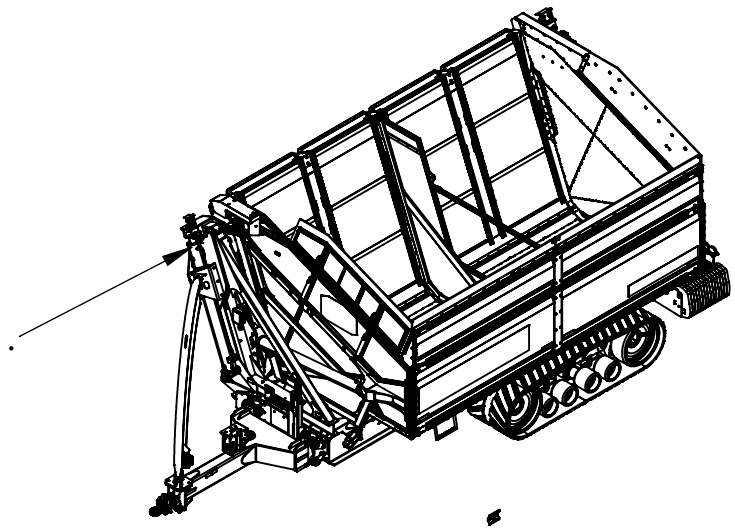
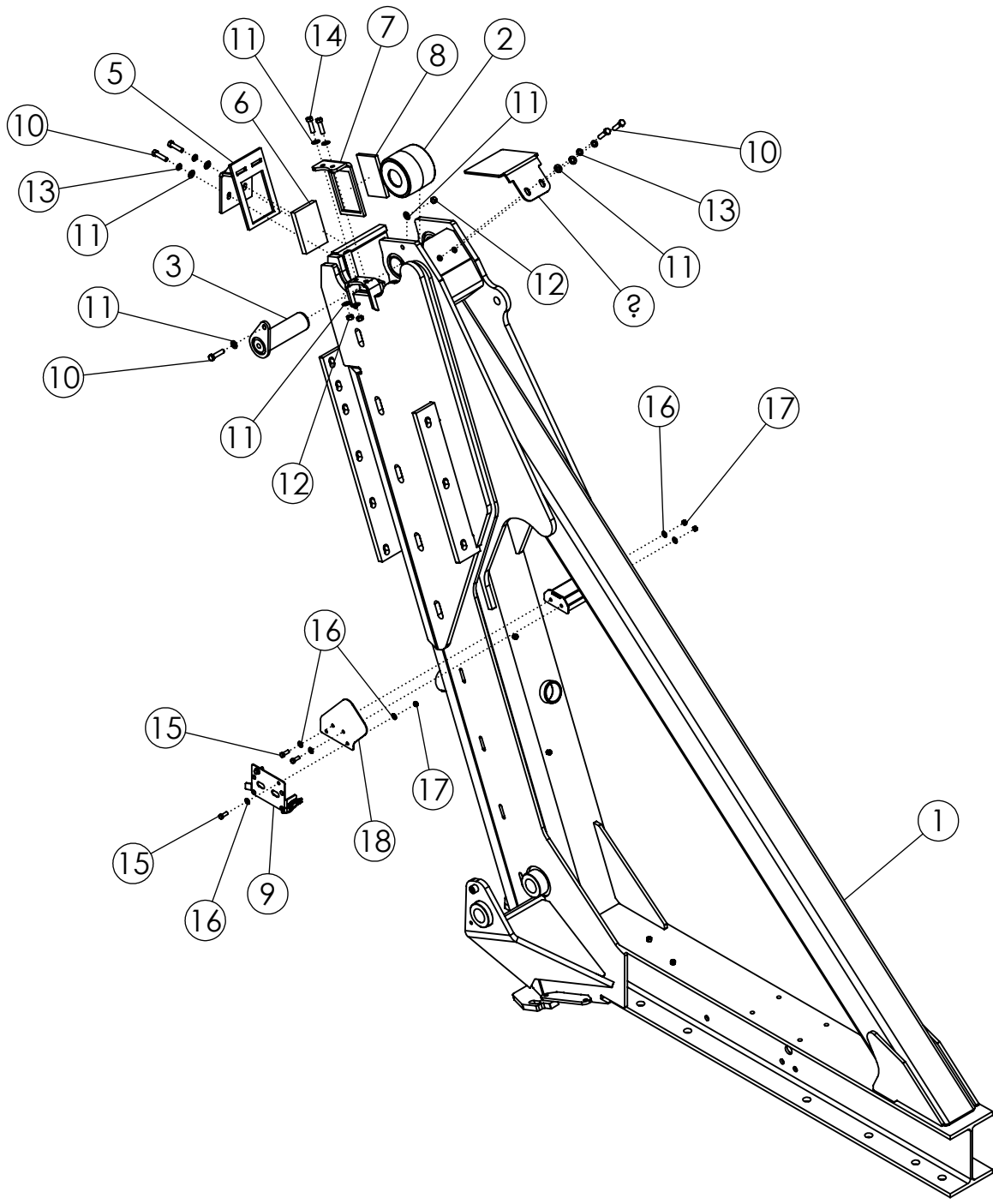


<b>HITCH (CAMSO)</b>			
<b>ITEM</b>	<b>PART NO.</b>	<b>DESCRIPTION</b>	<b>QTY</b>
1	318192	WLDMT-CC1000 HITCH	1
2	311422	HITCH-BULL PULL CAT 3/4 (FORGED)	1
	311820	HITCH-BULL PULL CAT 5	
3	318898	PLATE-REAR HARNESS HOLE COVER	1
4	318276	WLDMT-HITCH FLAG PIN 3.00" X 13.00" ZP	4
5	319202	GROMMET-RUBBER VARIABLE ID	1
6	1018839	BOLT-HEX: 1.00 X 7.00 NC GR8 ZP	3
7	1030728	WASHER-FLAT: SAE 1.00 ZP GR8	3
8	1016969	NUT-TOPLOCK: 1.00 NC GR5 ZP	3
9	1011602	BOLT-HEX: .38 X 1.50 NC GR5 ZP	2
10	1014608	WASHER-FLAT: SAE .38 ZP	2
11	1012060	BOLT-HEX: .75 X 2.00 NC GR5 ZP	4
12	1012634	WASHER-FLAT: SAE .75 ZP	4
13	1012061	WASHER-LOCK: .75 ZP	4
14	1030766	ZERK-GREASE: .13 NPT STRAIGHT	4
15	36223	CHAIN-SAFETY 80000# RIVETED (NOT SHOWN)	1
16	37530	BOLT-HEX: 1.25 X 3.50 NC GR8 YZP	1
17	318397	PLATE-SAFETY CHAIN WASHER	1
18	1030759	NUT-TOPLOCK: 1.25 NC ZP	1
<b>INCLUDED WITHIN 318025 (SCALE SYSTEM)</b>			
19	319556	LOAD CELL-3.75SB-16FT EZ MATE 1078015-01	1
20	310510	WLDMT-WEIGH TRONIX PINTLE	1
21	1032502	BOLT-HEX: 1.00 X 6.00 NC GR8 ZP	1
22	1030728	WASHER-FLAT: SAE 1.00 ZP GR8	4
23	1016969	NUT-TOPLOCK: 1.00 NC GR8 ZP	2



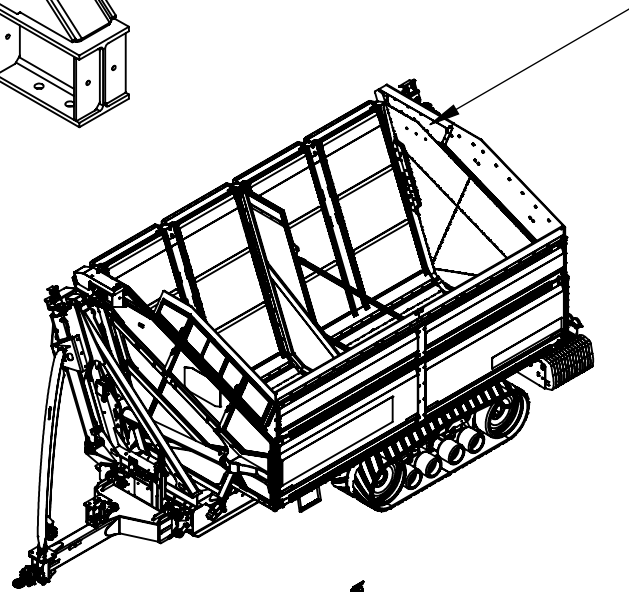
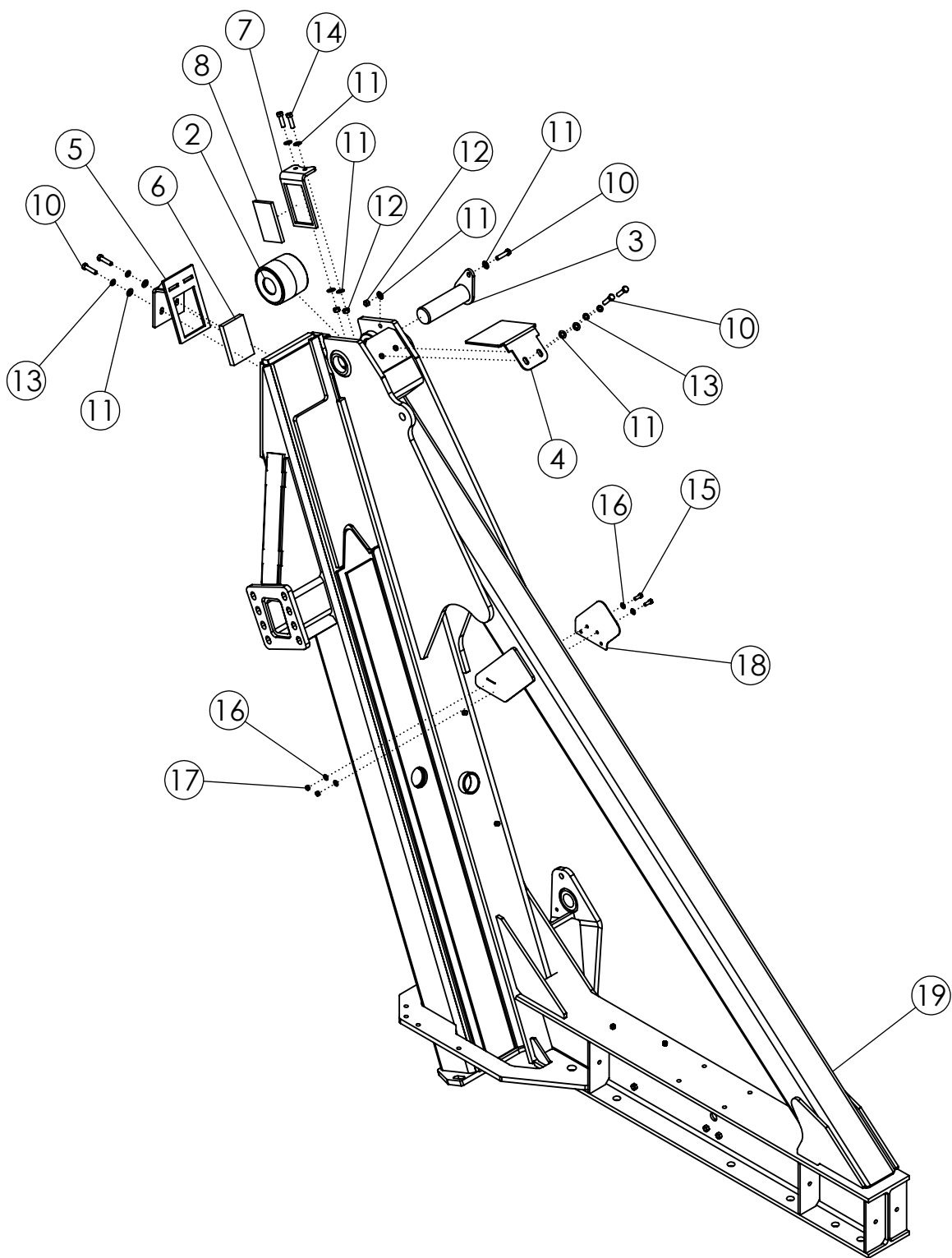
# LADDER FRAME

ITEM	PART NO.	DESCRIPTION	QTY
1	318912	WLDMT-LADDER CROSS FRAME PC	1
2	318931	WLDMT-LADDER SUB FRONT	1
3	318934	WLDMT-LADDER SUB REAR	1
4	319408	WLDMT-LADDER HINGE	3
5	319406	PLATE-LADDER HINGE MOUNT	3
6	319401	WLDMT-LADDER BULKHEAD FRONT	1
7	319402	WLDMT-LADDER BULKHEAD REAR	1
8	319326	ASSY-LADDER FRAME ROLLER	2
9	318708	PLATE-PLASTIC MOUNT 2 FRONT	1
10	318714	PLASTIC-LADDER FRAME BLOCK	2
11	318709	PLATE-PLASTIC MOUNT 2 REAR	1
12	318079	WLDMT-ROLLER FLAG PIN 2.50" GKF	2
13	1032291	BOLT-HEX: .75 X 3.00 NC GR8 YZP	16
14	35132	WASHER-FLAT: SAE .75 YZP GR8	36
15	303775	NUT-FLANGE: TOPLOCK .75 NC YZP	36
16	62096	BOLT-HEX: .75 X 2.50 NC GR8 ZP	12
17	1016362	BOLT-CRG: .38 X 1.25 NC GR5 ZP	4
18	1014608	WASHER-FLAT: SAE .38 ZP	4
19	1016999	NUT-TOPLOCK: .38 NC GR5 ZP	4
20	1011608	BOLT-HEX: .50 X 1.75 NC GR5 ZP	4
21	1011584	WASHER-FLAT: SAE .50 ZP	12
22	1027461	NUT-TOPLOCK: .50 NC GR5 ZP	6
23	1011611	BOLT-HEX: .50 X 3.00 NC GR5 ZP	2
24	319357	PLASTIC-LOWER LADDER ROLLER FRONT	1
25	319358	PLASTIC-LOWER LADDER ROLLER REAR	1
26	1020415	SCREW: FHSC .50 X 2.50"	2
27	303774	NUT-FLANGE: TOPLOCK .50 NC YZP	2



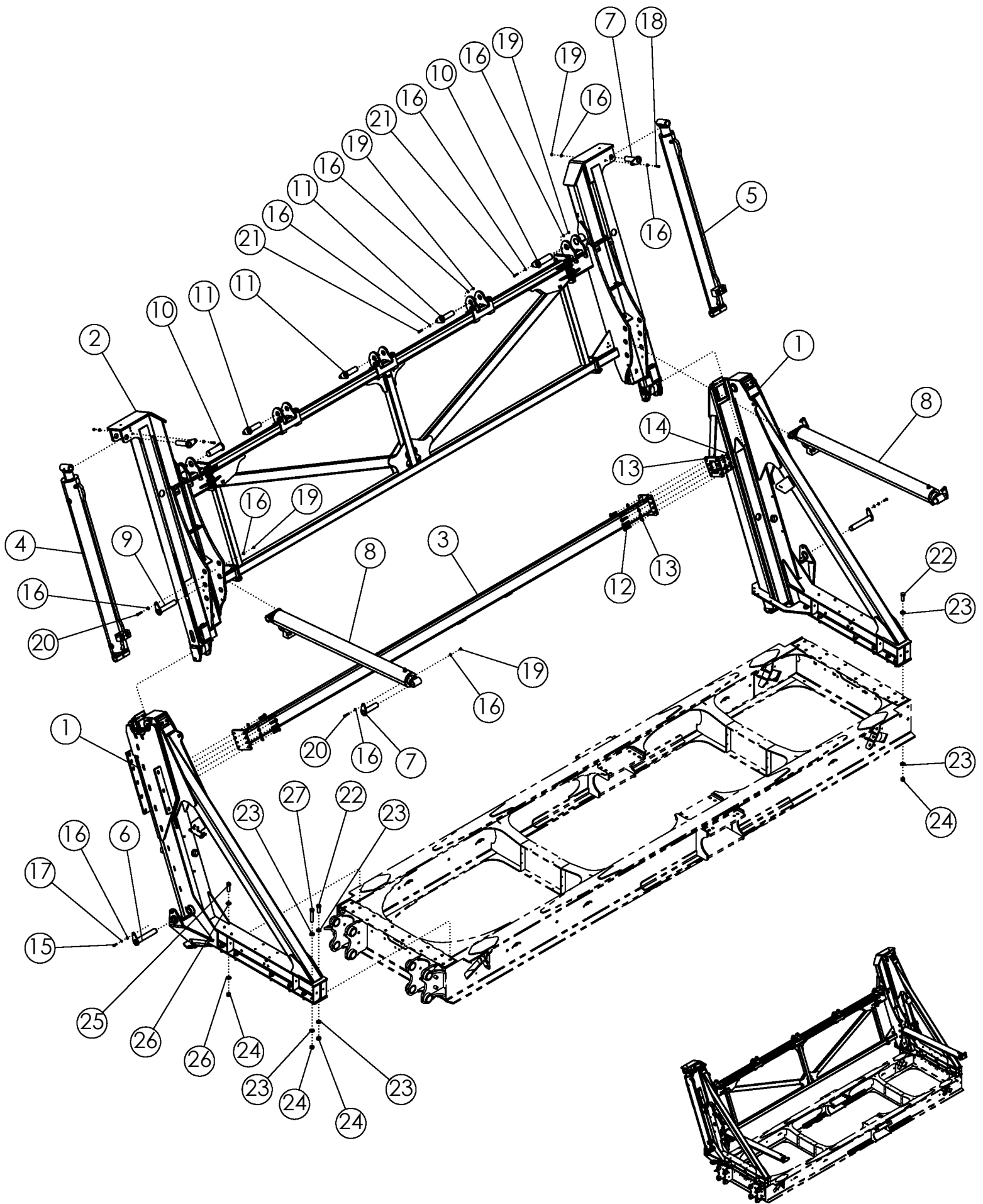
## TRIANGLE FRAME FRONT

ITEM	PART NO.	DESCRIPTION	QTY
1	318311	WLDMT-TRIANGLE FRAME FRONT	1
2	319326	ASSY-LADDER FRAME ROLLER	1
3	318079	WLDMT-ROLLER FLAG PIN 2.50" GKF	1
4	318681	PLATE-ROLLER SHIELD	1
5	319011	WLDMT-TRIANGLE PLASTIC BLOCK MOUNT	1
6	318714	PLASTIC-LADDER FRAME BLOCK	1
7	318730	PLATE-INNER TRIANGLE PLASTIC MOUNT	1
8	318731	PLASTIC-INNER TRIANGLE FRAME BLOCK	1
9	319521	ASSY-LIBRA MOUNT	1
10	1011609	BOLT-HEX: .50 X 2.00 NC GR5 ZP	5
11	1011584	WASHER-FLAT: SAE .50 ZP	10
12	1027461	NUT-TOPLOCK: .50 NC GR5 ZP	3
13	1011581	WASHER-LOCK: SAE .50 ZP	4
14	1011608	BOLT-HEX: .50 X 1.75 NC GR5 ZP	2
15	1011600	BOLT-HEX: .38 X 1.00 NC GR5 ZP	4
16	1014608	WASHER-FLAT: SAE .38 ZP	8
17	1016999	NUT-TOPLOCK: .38 NC GR5 ZP	4
18	319295	PLATE-HOSE LOOP CAP WITH LIBRA MOUNT	1



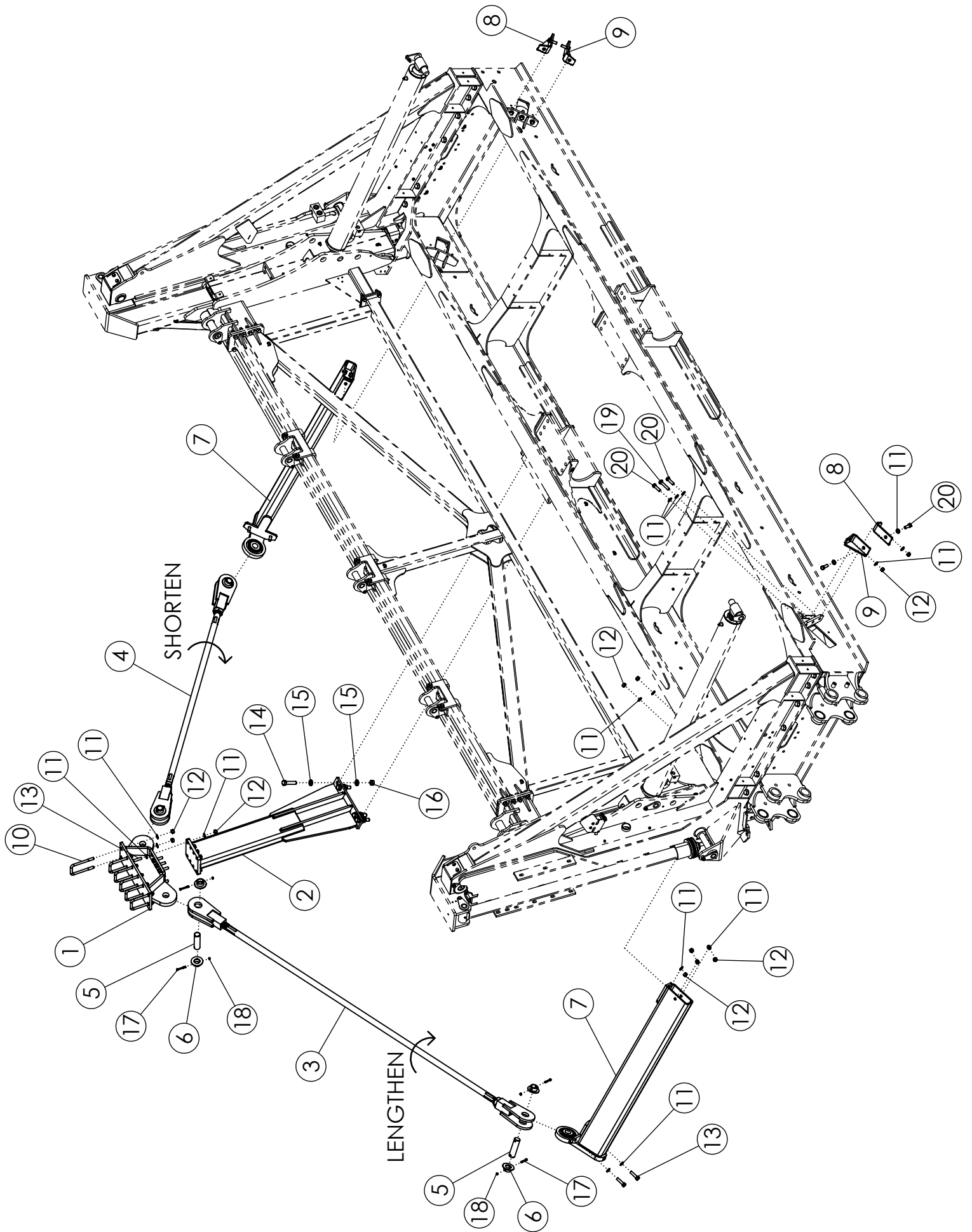
## TRIANGLE FRAME REAR

ITEM	PART NO.	DESCRIPTION	QTY
1	318312	WLDMT-TRIANGLE FRAME REAR	1
2	319326	ASSY-LADDER FRAME ROLLER	1
3	318079	WLDMT-ROLLER FLAG PIN 2.50" GKF	1
4	318681	PLATE-ROLLER SHIELD	1
5	319011	WLDMT-TRIANGLE PLASTIC BLOCK MOUNT	1
6	318714	PLASTIC-LADDER FRAME BLOCK	1
7	318730	PLATE-INNER TRIANGLE PLASTIC MOUNT	1
8	318731	PLASTIC-INNER TRIANGLE FRAME BLOCK	1
9	319295	PLATE-HOSE LOOP CAP WITH LIBRA MOUNT	1
10	1011609	BOLT-HEX: .50 X 2.00 NC GR5 ZP	5
11	1011584	WASHER-FLAT: SAE .50 ZP	10
12	1027461	NUT-TOPLOCK: .50 NC GR5 ZP	3
13	1011581	WASHER-LOCK: SAE .50 ZP	4
14	1011608	BOLT-HEX: .50 X 1.75 NC GR5 ZP	2
15	1011600	BOLT-HEX: .38 X 1.00 NC GR5 ZP	2
16	1014608	WASHER-FLAT: SAE .38 ZP	4
17	1016999	NUT-TOPLOCK: .38 NC GR5 ZP	2



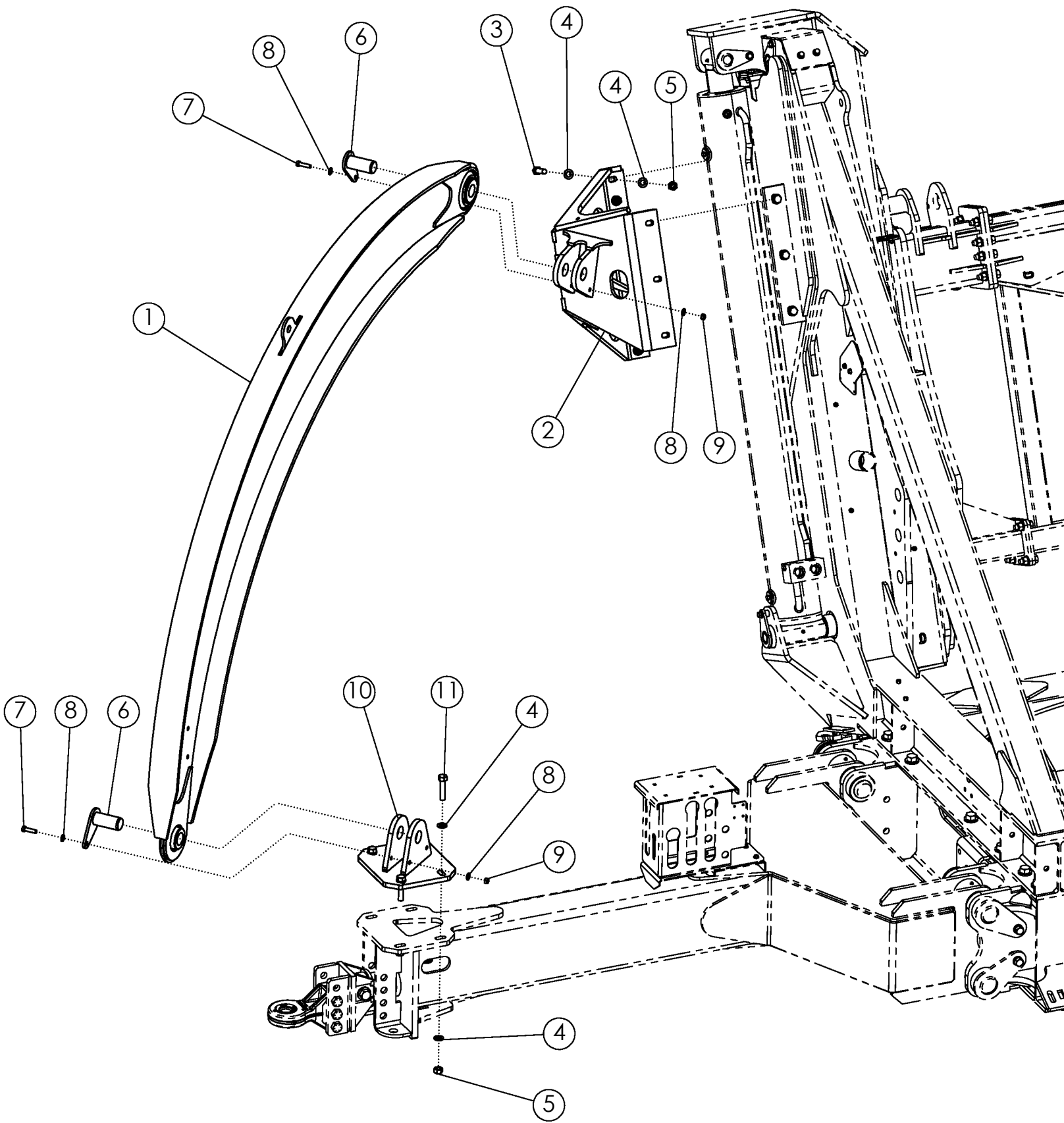
## TRIANGLE AND LADDER SUB

ITEM	PART NO.	DESCRIPTION	QTY
1	318379	ASSY-TRIANGLE FRAMES	1
2	318935	ASSY-LADDER FRAME	1
3	318970	WLDMT-UPPER TRUSS	1
4	318001	CYL-HYDRAULIC 7.00 X 72 REPHASE	1
5	318002	CYL-HYDRAULIC 5.75 X 72 REPHASE	1
6	318156	WLDMT-CYLINDER FLAG PIN 2.00" X 12.00" ZP	2
7	318160	WLDMT-CYLINDER FLAG PIN 2.00" X 8.00" ZP	4
8	318003	CYL-HYDRAULIC 6.00 X 72	2
9	318158	WLDMT-CYLINDER FLAG PIN 2.00" X 10.13" ZP	2
10	318079	WLDMT-ROLLER FLAG PIN 2.50" GKF	2
11	318076	WLDMT-ROLLER FLAG PIN 2.00" GKF	3
12	1032291	BOLT-HEX: .75 X 3.00 NC GR8 YZP	16
13	35132	WASHER-FLAT: SAE .75 YZP GR8	32
14	1017000	NUT-TOPLOCK: .75 NC GR5 ZP	16
15	1011607	BOLT-HEX: .50 X 1.50 NC GR5 ZP	2
16	1011584	WASHER-FLAT: SAE .50 ZP	24
17	1011581	WASHER-LOCK: .50 ZP	2
18	1017708	BOLT-HEX: .50 X 2.25 NC GR5 ZP	2
19	1027461	NUT-TOPLOCK: .50 NC GR5 ZP	11
20	1011610	BOLT-HEX: .50 X 2.50 NC GR5 ZP	4
21	1011609	BOLT-HEX: .50 X 2.00 NC GR5 ZP	5
22	1018008	BOLT-HEX: 1.00 X 3.00 NC GR8 ZP	20
23	1030728	WASHER-FLAT: SAE 1.00 ZP GR8	42
24	1016969	NUT-TOPLOCK: 1.00 NC GR5 ZP	23
25	1011626	BOLT-HEX: 1.00 X 3.50 NC GR5 ZP	2
26	1016663	WASHER-FLAT: SAE 1.00 ZP	4
27	1032502	BOLT-HEX: 1.00 X 6.00 NC GR8 ZP	1



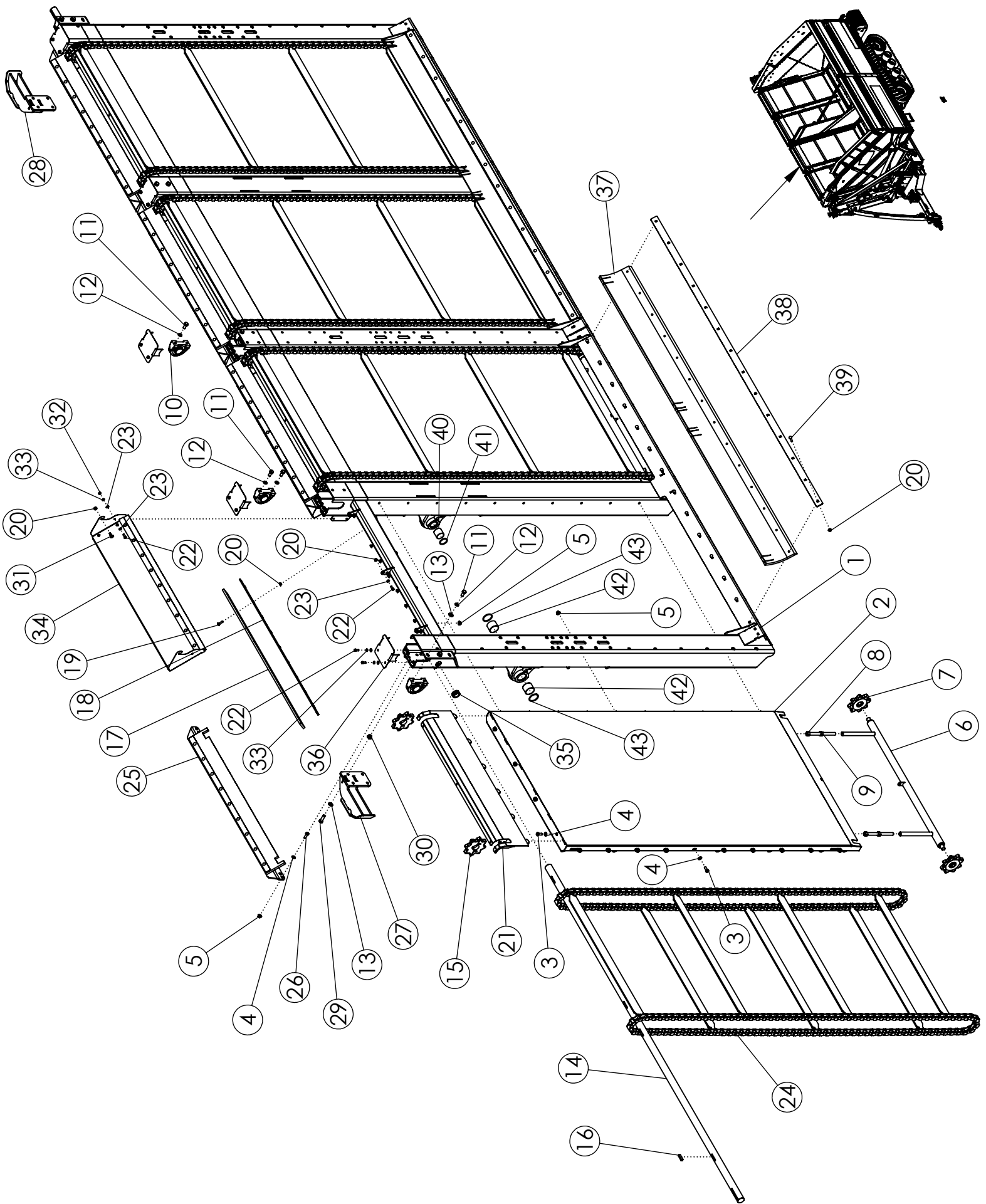
## TRUSS FRAME (CAMSO)

ITEM	PART NO.	DESCRIPTION	QTY
1	318979	WLDMT-MIDDLE TRUSS CONNECTION	1
2	318944	WLDMT-TRUSS CENTER SUPPORT	1
3	318923	ASSY-TRUSS ARMLONG	1
4	318952	ASSY-TRUSS ARM SHORT	1
5	319195	PIN-TRUSS 2.000" X 7.125" ZP	4
6	319197	WLDMT-TRUSS PIN COLLAR	8
7	318951	ASSY-MODULE END CONNECTION	2
8	319062	WLDMT-MODULE GUSSET LH	2
9	319063	WLDMT-MODULE GUSSET RH	2
10	319026	U-BOLT: .750 X 8.00 X 4.06 X 8.00	6
11	35132	WASHER-FLAT: SAE .75 YZP GR8	56
12	1017000	NUT-TOPLOCK: .75 NC GR5 ZP	34
13	1032291	BOLT-HEX: .75 X 3.00 NC GR8 YZP	12
14	1032288	BOLT-HEX: 1.0 X 4.50 NC GR8 ZP	4
15	1030728	WASHER-SPINDLE: 1.06ID X 2.13OD	8
16	1016969	NUT-TOPLOCK: 1.00 NC GR5 ZP	4
17	1013239	BOLT-HEX: .38 X 3.00 NC GR5 ZP	8
18	1016999	NUT-TOPLOCK: .38 NC GR5 ZP	8
19	1032289	BOLT-HEX: .75 X 3.50 NC GR8 YZP	2
20	62096	BOLT-HEX: .75 X 2.50 NC GR8 ZP	8



## ARCH

ITEM	PART NO.	DESCRIPTION	QTY
1	318040	ASSY-CC1000 ARCH PC	1
2	318615	WLDMT-ARCH UPPER MOUNT (RH ONLY)	1
3	66495	BOLT-HEX: .75 X 2.75 NC GR8 YZP	9
4	35132	WASHER-FLAT: SAE .75 YZP GR8	26
5	1017000	NUT-TOPLOCK: .75 NC GR5 ZP	13
6	318613	WLDMT-ARCH FLAG PIN ZP	2
7	1011609	BOLT-HEX: .50 X 2.00 NC GR5 ZP	2
8	1011584	WASHER-FLAT: SAE .50 ZP	4
9	1027461	NUT-TOPLOCK: .50 NC GR5 ZP	2
10	318402	WLDMT-ARCH TO HITCH MOUNT (RH ONLY)	1
11	1032289	BOLT-HEX: .75 X 3.50 NC GR8 YZP	4



## UNLOAD WALL

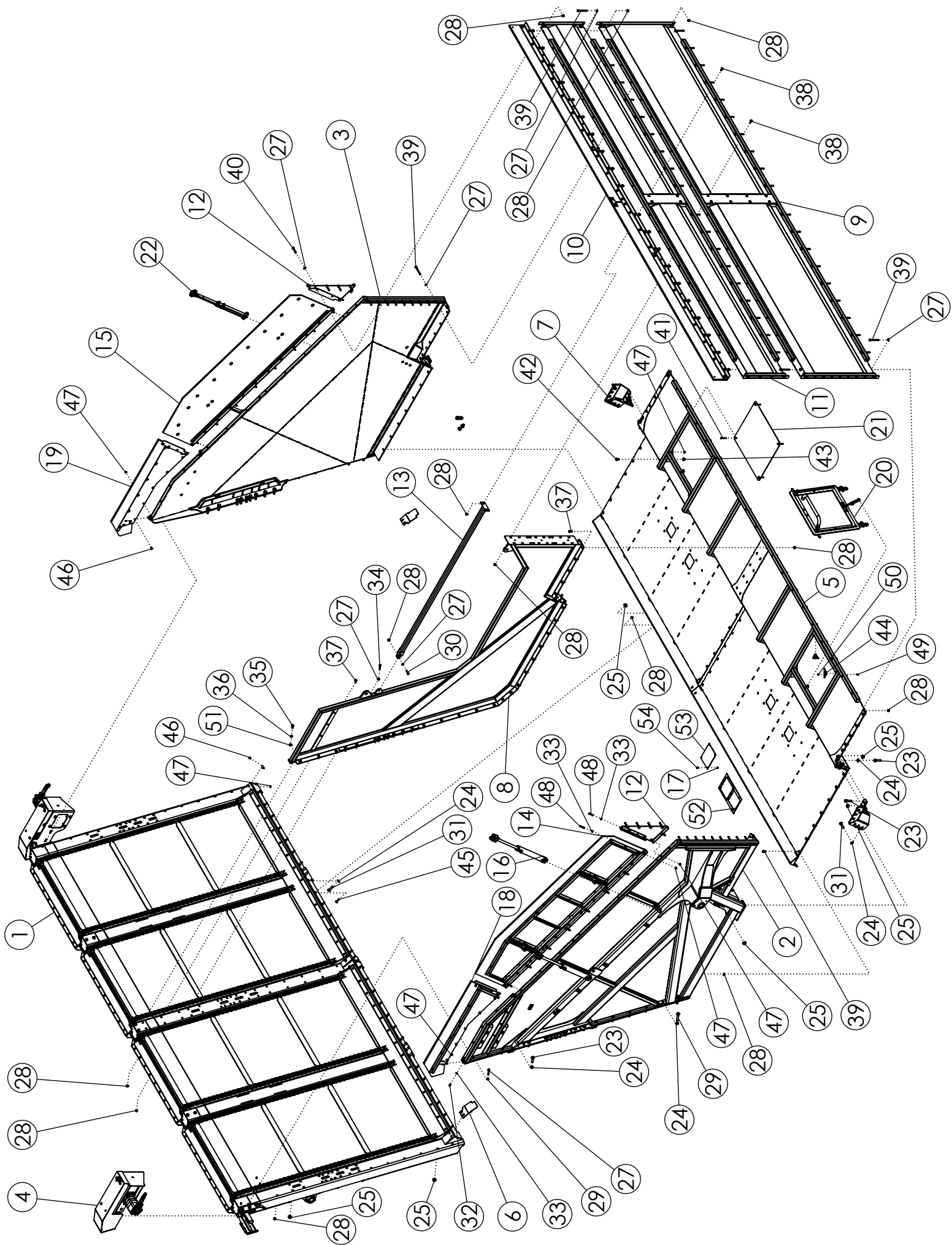
ITEM	PART NO.	DESCRIPTION	QTY
1	318183	WLDMT-UNLOAD WALL FRAME	1
2	318149	WLDMT-UNLOAD PANEL PC	4
3	1011606	BOLT-HEX: .50 X 1.25 NC GR5 ZP	96
4	1011584	WASHER-FLAT: SAE .50 ZP	112
5	303774	NUT-FLANGE: TOPLOCK .50 NC YZP	112
6	318041	WLDMT-CHAIN TENSIONER	4
7	318017	SPROCKET-PINTLE 8T IDLER W/BEARING	8
8	310788	WLDMT-FLOOR TENSIONER ROD ZP	8
9	1011620	NUT-HEX: .75 NC GR2 ZP	8
10	62136	BEARING-TAPPED BASE 2.00"	6
11	1032509	BOLT-HEX: .63 X 1.25 NC GR5 ZP	10
12	1011813	WASHER-LOCK: .63 ZP	10
13	1013004	WASHER-FLAT: SAE .63 ZP	12
14	318027	SHAFT-UNLOAD CHAIN DRIVE 2"	2
15	318016	SPROCKET-SPLIT PINTLE 8T X 2"BORE X 1/2"KEY	8
16	57995	KEY .500 X .500 X 2.000	8
17	319057	RUBBER-CHAIN BOTTOM WPER	4
18	319058	PLATE-CHAIN RUBBER CLAMP	4
19	58679	BOLT-CRG: .38 X 1.50 NC GR5 ZP	36
20	303731	NUT-FLANGE: TOPLOCK .38 NC YZP	96
21	318593	WLDMT-SHAFT COVER	4
22	1011600	BOLT-HEX: .38 X 1.00 NC GR5 ZP	42
23	1014608	WASHER-FLAT: SAE .38 ZP	50
24	318008	PINTLE CHAIN-CC1000	4
	310755	LINK-PINTLE CHAIN 667X	
25	319210	ASSY-UNLOAD CHAIN WPER	4
26	1011607	BOLT-HEX: .50 X 1.50 NC GR5 ZP	16
27	318790	WLDMT-TANK SKID FRONT	1
28	318791	WLDMT-TANK SKID REAR	1
29	1011623	BOLT-HEX: .63 X 2.00 NC GR5 ZP	8
30	34864	NUT-FLANGE: TOPLOCK .63 NC GR8 ZP	8
31	319052	BOLT-SHOULDER: 1/2"X 1/2" SHLD LENGTH X 3/8"-16 THRD	8
32	1011576	NUT-HEX: .38 NC GR2 ZP	8
33	1011586	WASHER-LOCK: .38 ZP	18
34	319051	ASSY-HOOK ON GRAIN CHUTE	4
35	301025	GROMMET-RUBBER 1.50" ID	2
36	318100	PLATE-UNLOAD TUBE CAP	5
37	319055	RUBBER-UNLOAD WALL BOTTOM SEAL CLAMP	2
38	319056	PLATE-UNLOAD WALL BOTTOM SEAL CLAMP	2
39	1060241	BOLT-CRG: .38 X 2.00 NC GR5 ZP	28
40	318054	BUSHING-IGLIDE Q2 SLEEVE 2.5"IDX2.25"ODX2"L	6
41	318125	O-RING: .210 X 1.975	6
42	319534	BUSHING-TX1 SLEEVE 2.5"IDX2.69"IDX2"L	4
43	318126	O-RING: .210 X 2.475	4



# TANK

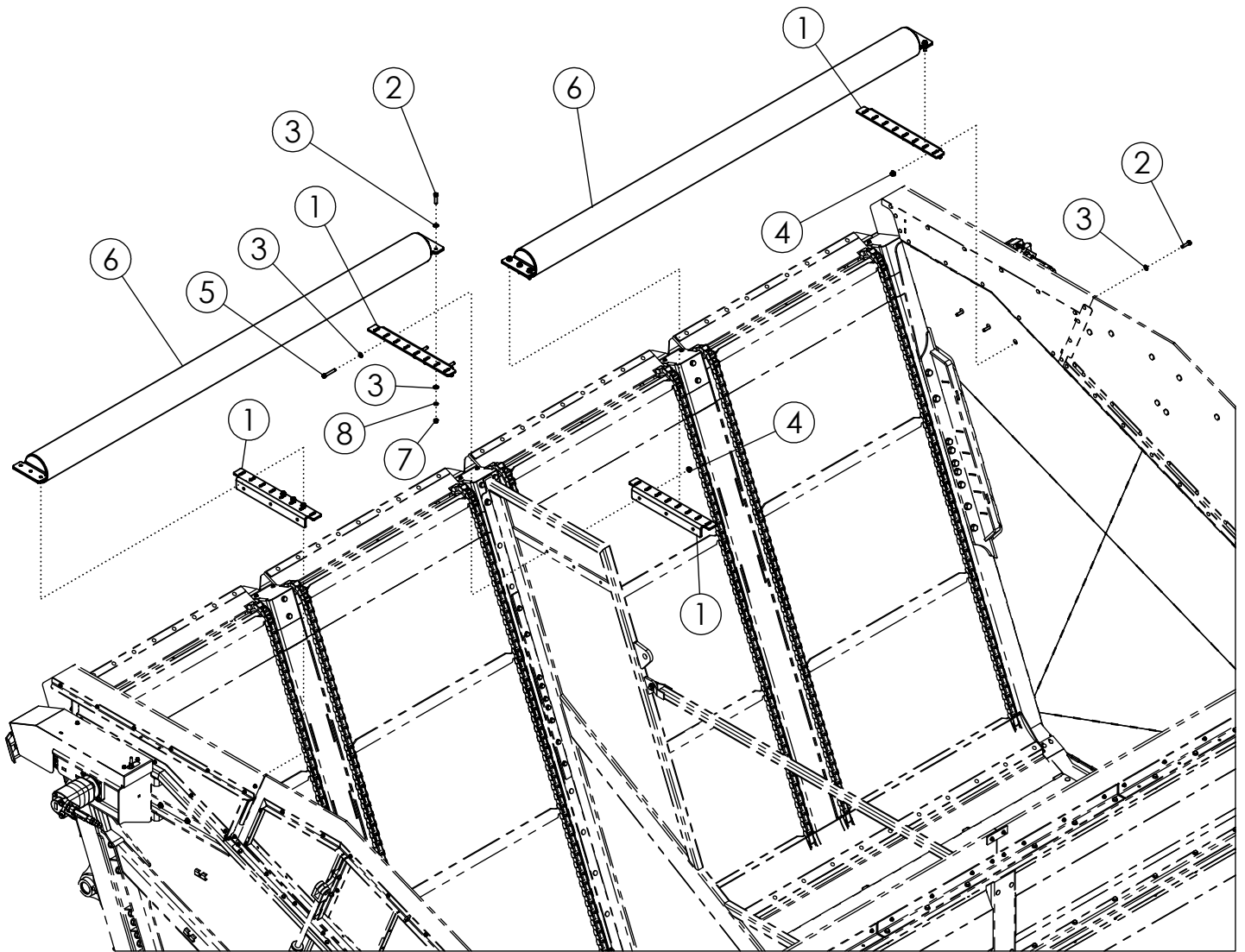
ITEM	PART NO.	DESCRIPTION	QTY
1	318021	ASSY-UNLOAD WALL	1
2	319079	WLDMT-TANK FRONT WALL PC	1
3	319081	WLDMT-TANK REAR WALL PC	1
4	319054	ASSY-FLOOR CHAIN MOTORS	1
5	318174	WLDMT-FLOOR MAIN PC	1
6	319091	PLATE-CORNER COVER	2
7	318539	WLDMT-TANK CORNER SUPPORT	2
8	318243	WLDMT-TANK CENTER PANEL PC	1
9	319192	WLDMT-FILL WALL BASE PC	1
10	318013	ASSY-FILL WALL RUBBER CC1000	1
11	318228	WLDMT-11FT TANK EXTENSION PC	1
12	319284	ASSY-FILL EXTENSION SUPPORT	1
13	318289	WLDMT-EXTENSION WALL SUPPORT	1
14	319250	ASSY-TANK DOOR FRONT	1
15	319251	ASSY-TANK DOOR REAR	1
16	318892	CYLINDER-HYD 2 X 16 (TIE-ROD)	2
17	303778	NUT-FLANGE: TOPLOCK .31 NC YZP	12
18	319272	ASSY-TANK TOP EXTENSION FRONT	1
19	319273	ASSY-TANK TOP EXTENSION REAR	1
20	319302	ASSY-TANK ACCESS DOOR	1
21	319323	PLATE-TANK ACCESS COVER	1
22	319207	ASSY-TOP DOOR LOCK UP BAR	2
23	1032291	BOLT-HEX: .75 X 3.00 NC GR8 YZP	44
24	35132	WASHER-FLAT: SAE .75 YZP GR8	64
25	303775	NUT-FLANGE: TOPLOCK .75 NC YZP	64
26	1011612	BOLT-HEX: .50 X 3.50 NC GR5 ZP	12
27	1011584	WASHER-FLAT: SAE .50 ZP	97
28	303774	NUT-FLANGE: TOPLOCK .50 NC YZP	209
29	319346	BOLT-HEX: .75 X 4.50 NC GR8 YZP	4
30	1011609	BOLT-HEX: .50 X 2.00 NC GR5 ZP	1
31	62096	BOLT-HEX: .75 X 2.50 NC GR8 ZP	16
32	1011600	BOLT-HEX: .38 X 1.00 NC GR5 ZP	4
33	1014608	WASHER-FLAT: SAE .38 ZP	24
34	62148	BOLT-HEX: .50 X 2.50 NC GR8 ZP	18
35	1014349	BOLT-HEX: .63 X 1.50 NC GR5 ZP	2
36	1011813	WASHER-LOCK: .63 ZP	2
37	1011660	BOLT-CRG: .50 X 1.50 NC GR5 ZP	74
38	1023854	BOLT-CRG: .50 X 1.25 NC GR5 ZP	12
39	1011618	BOLT-HEX: .50 X 5.00 NC GR5 ZP	58

CONTINUED



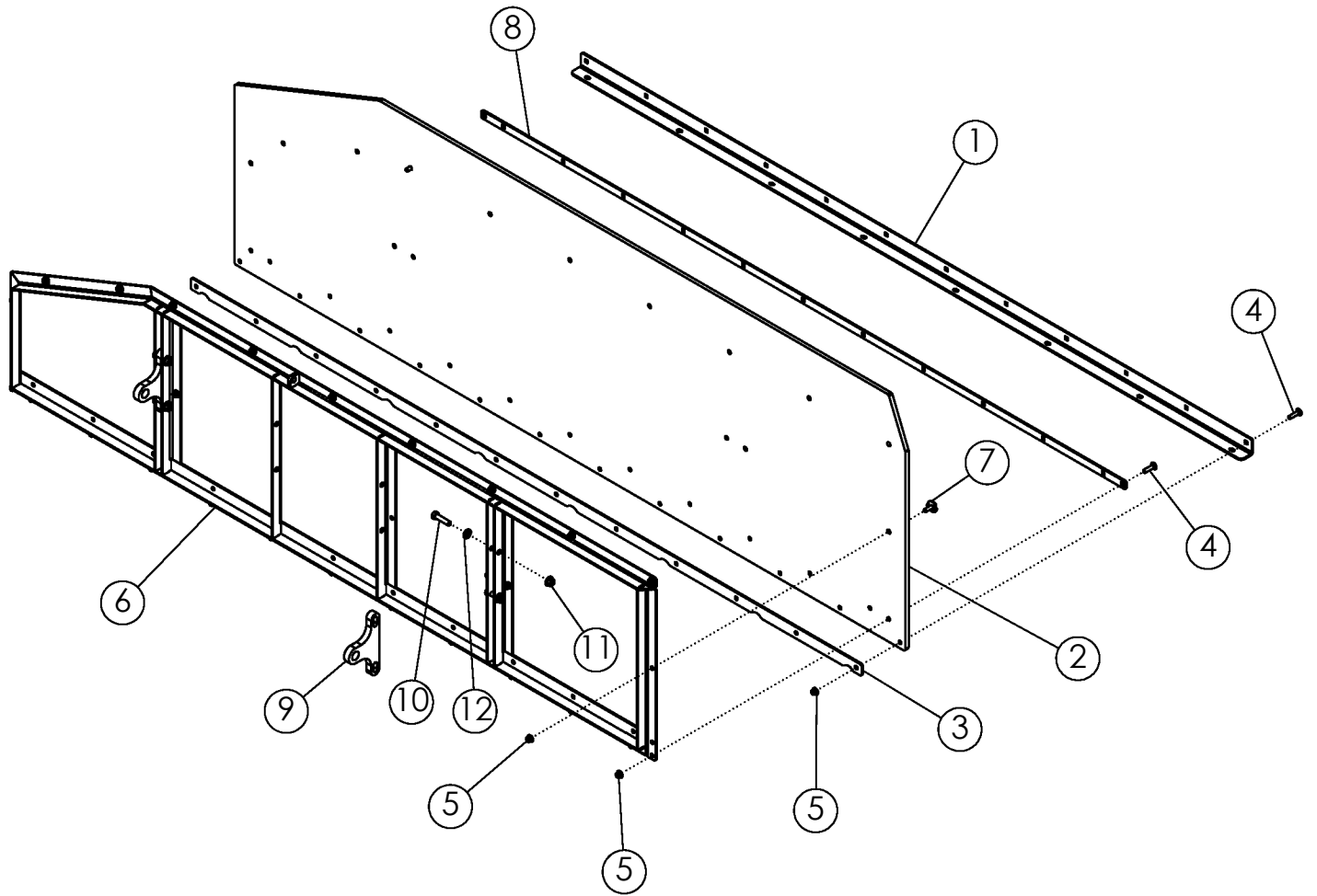
## TANK (CONTINUED)

ITEM	PART NO.	DESCRIPTION	QTY
40	1011611	BOLT-HEX: .50 X 3.00 NC GR5 ZP	8
41	1030879	BOLT-CRG: .38 X 3.00 NC GR5 ZP	4
42	1032275	BOLT-HEX: .63 X 1.00 NC GR5 ZP	2
43	34864	NUT-FLANGE: TOPLOCK .63 NC GR8 ZP	2
44	319316	PLATE-RUBBER DRAWLATCH CATCH	2
45	44122	BOLT-CRG: .50 X 2.00 NC GR5 ZP	26
46	59488	BOLT-CRG: .38 X 1.00 NC GR5 ZP	14
47	303731	NUT-FLANGE: TOPLOCK .38 NC YZP	42
48	1013239	BOLT-HEX: .38 X 3.00 NC GR5 ZP	20
49	68602	BOLT-CRG: .25 X .75 NC GR5 ZP	4
50	303777	NUT-FLANGE: TOPLOCK .25 NC YZP	4
51	1013004	WASHER-FLAT: SAE .63 ZP	2
52	319231	ASSY-TANK SLIDE GATE	2
53	319232	PLATE-TANK FLOOR COVER	2
54	65702	BOLT-CRG: .31 X .75 NC GR5 ZP	12



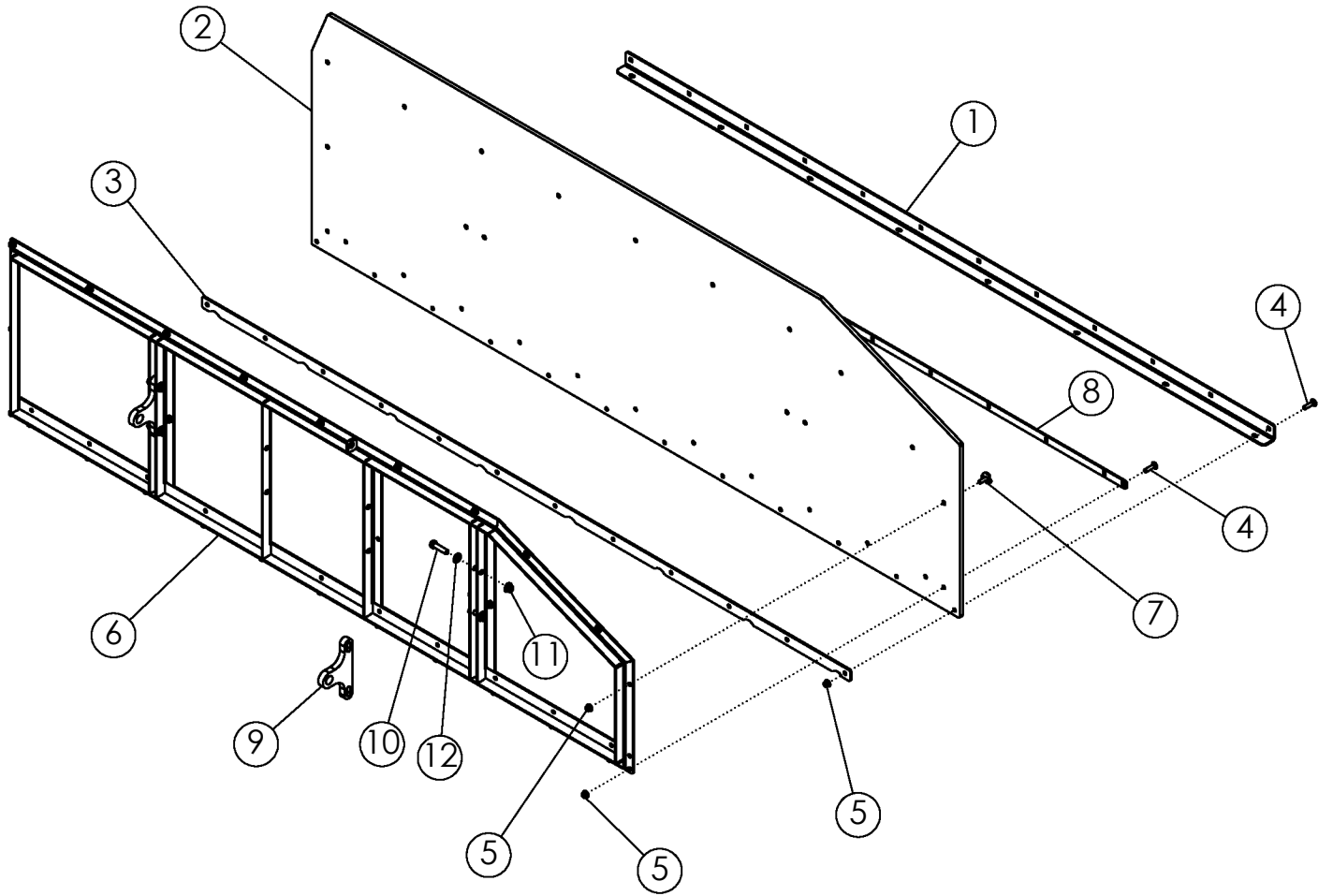
## FEED ROLLER TUBE KIT

ITEM	PART NO.	DESCRIPTION	QTY
1	319191	PLATE-SLIDING TUBE MOUNT	4
2	1011609	BOLT-HEX: .50 X2.00 NC GR5 ZP	18
3	1011584	WASHER-FLAT: SAE .50 ZP	33
4	303774	NUT-FLANGE: TOPLOCK .50 NC YZP	9
5	1011611	BOLT-HEX: .50 X3.00 NC GR5 ZP	3
6	318044	WLDMT-LOAD RETENTION TUBE	2
7	1011577	NUT-HEX: .50 NC GR2 ZP	12
8	1011581	WASHER-LOCK: .50 ZP	12



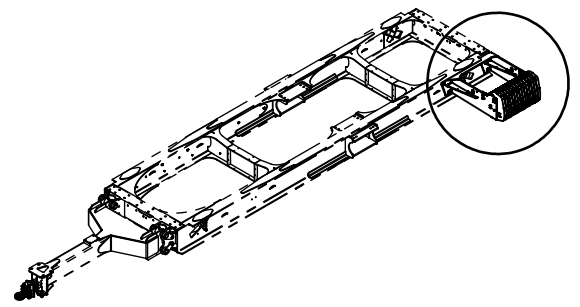
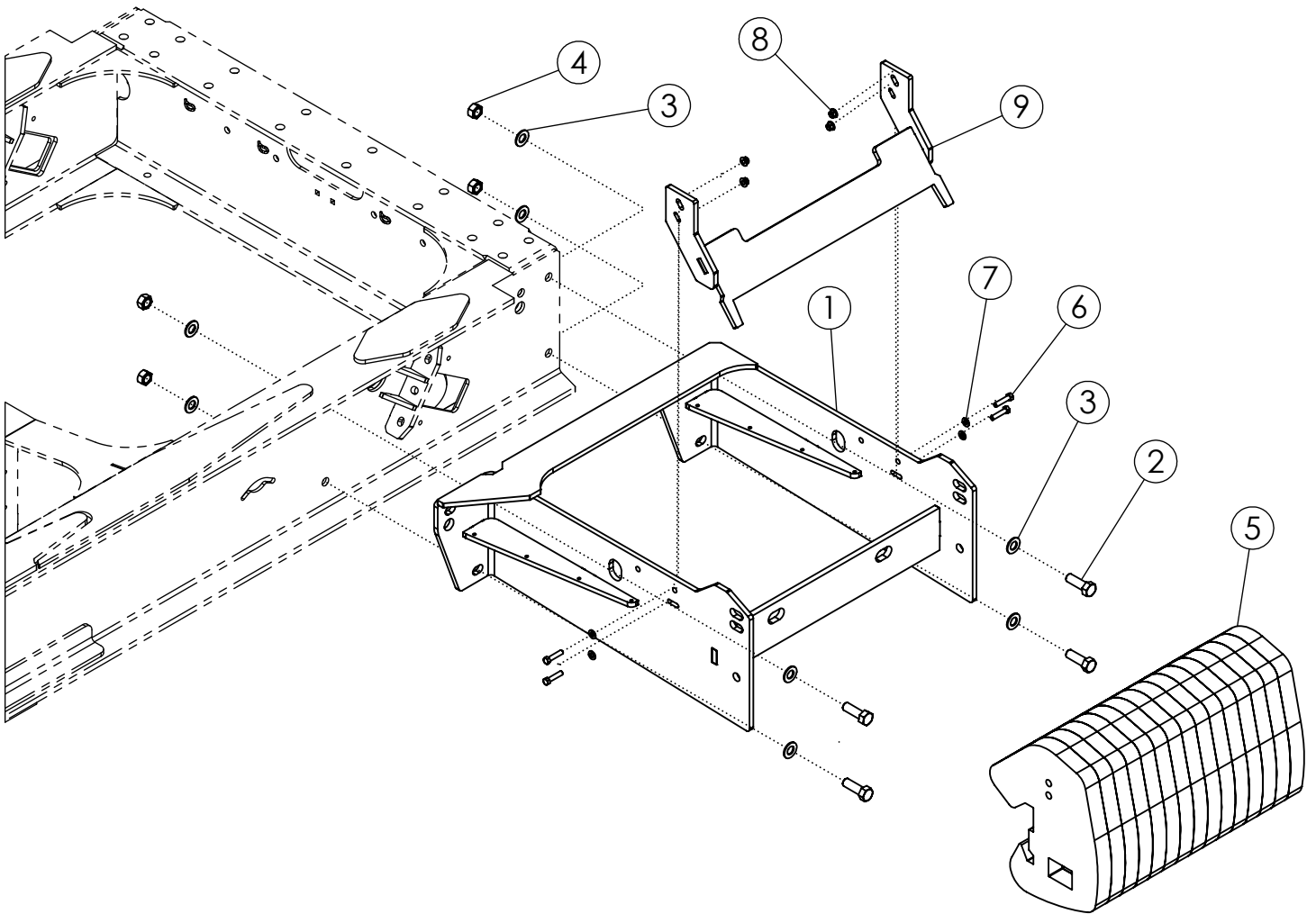
## TANK DOOR FRONT

ITEM	PART NO.	DESCRIPTION	QTY
1	319252	PLATE-DOOR MOUNT	1
2	319253	RUBBER-CC1000 TANK DOOR	1
3	319254	PLATE-DOOR CLAMP	1
4	58679	BOLT-CRG: .38 X 1.50 NC GR5 ZP	25
5	303731	NUT-FLANGE: TOPLOCK .38 NC YZP	40
6	319255	WLDMT-TANK DOOR FRAME FRONT	1
7	319238	BOLT-ELEVATOR: FANGED .38 X 1.25 NC ZP	15
8	319269	PLATE-DOOR FRAME CLAMP	1
9	319270	PLATE-DOOR FRAME CYL LUG	2
10	1011609	BOLT-HEX: .50 X 2.00 NC GR5 ZP	4
11	303774	NUT-FLANGE: TOPLOCK .50 NC YZP	4
12	1011584	WASHER-FLAT: SAE .50 ZP	4



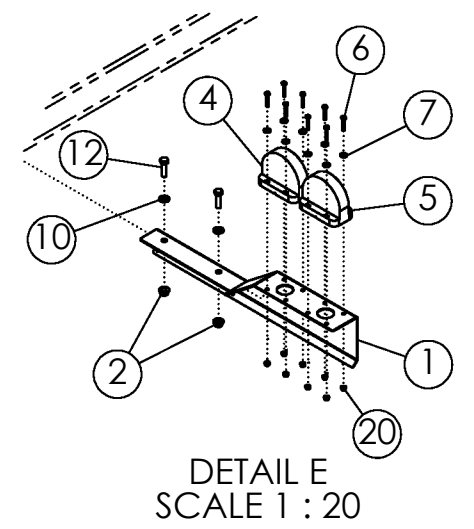
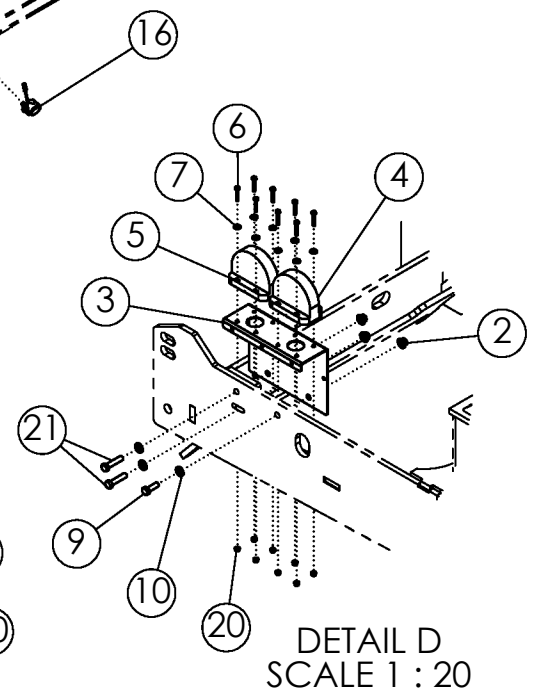
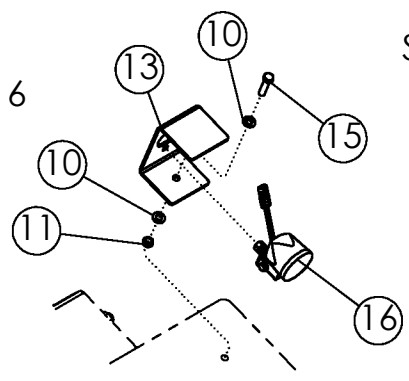
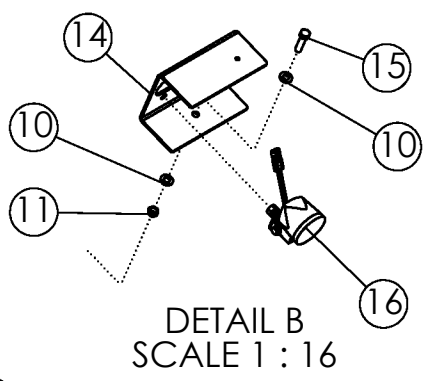
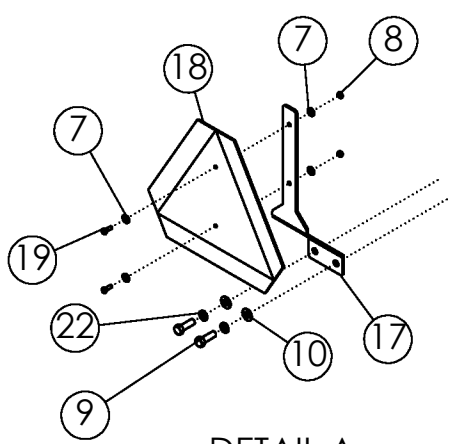
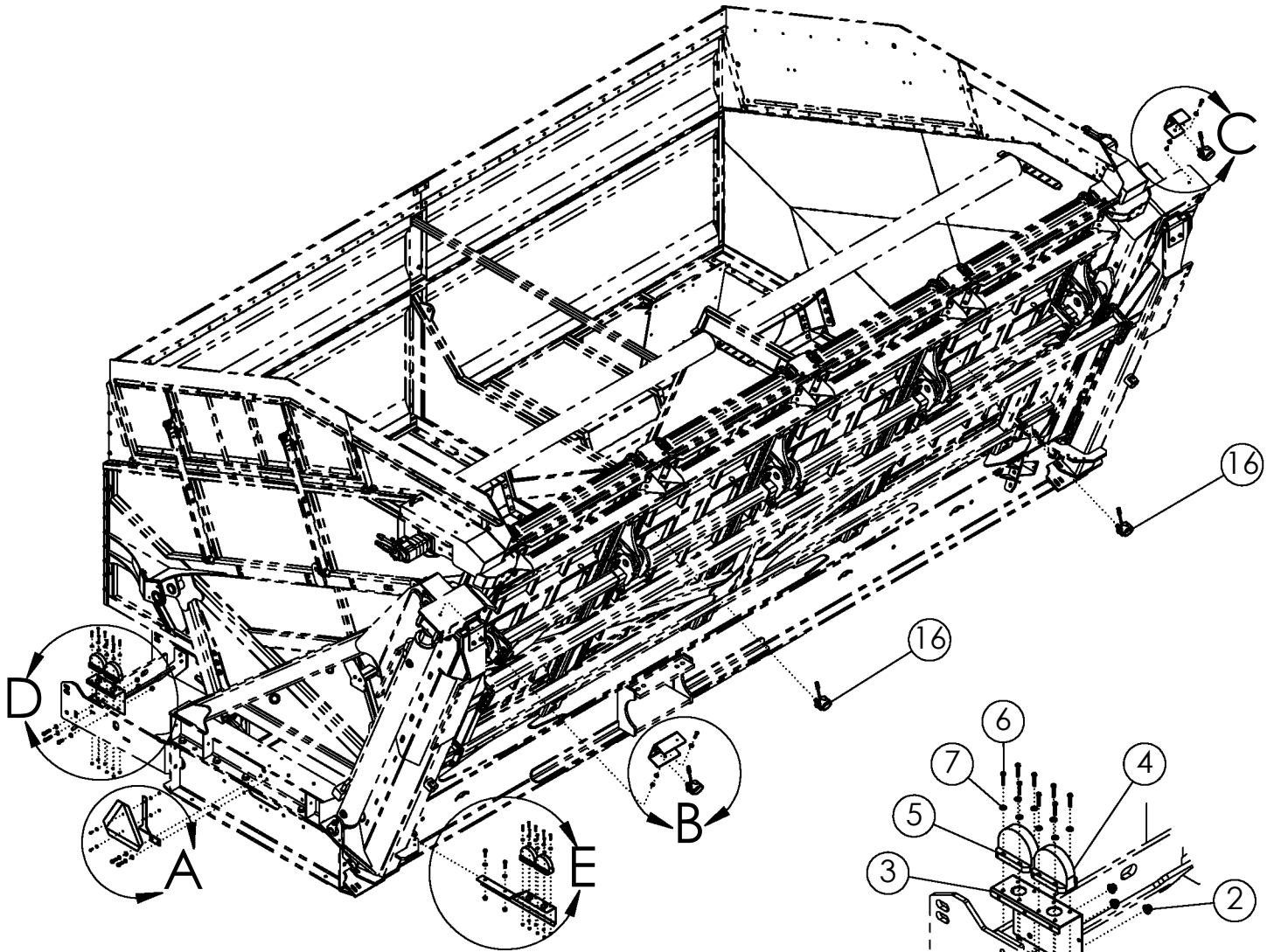
## TANK DOOR REAR

ITEM	PART NO.	DESCRIPTION	QTY
1	319252	PLATE-DOOR MOUNT	1
2	319253	RUBBER-CC1000 TANK DOOR	1
3	319254	PLATE-DOOR CLAMP	1
4	58679	BOLT-CRG: .38 X 1.50 NC GR5 ZP	15
5	303731	NUT-FLANGE: TOPLOCK .38 NC YZP	40
6	319256	WLDMT-TANK DOOR FRAME REAR	1
7	319238	BOLT-ELEVATOR: FANGED .38 X 1.25 NC ZP	15
8	319269	PLATE-DOOR FRAME CLAMP	1
9	319270	PLATE-DOOR FRAME CYL LUG	2
10	1011609	BOLT-HEX: .50 X 2.00 NC GR5 ZP	4
11	303774	NUT-FLANGE: TOPLOCK .50 NC YZP	4
12	1011584	WASHER-FLAT: SAE .50 ZP	4



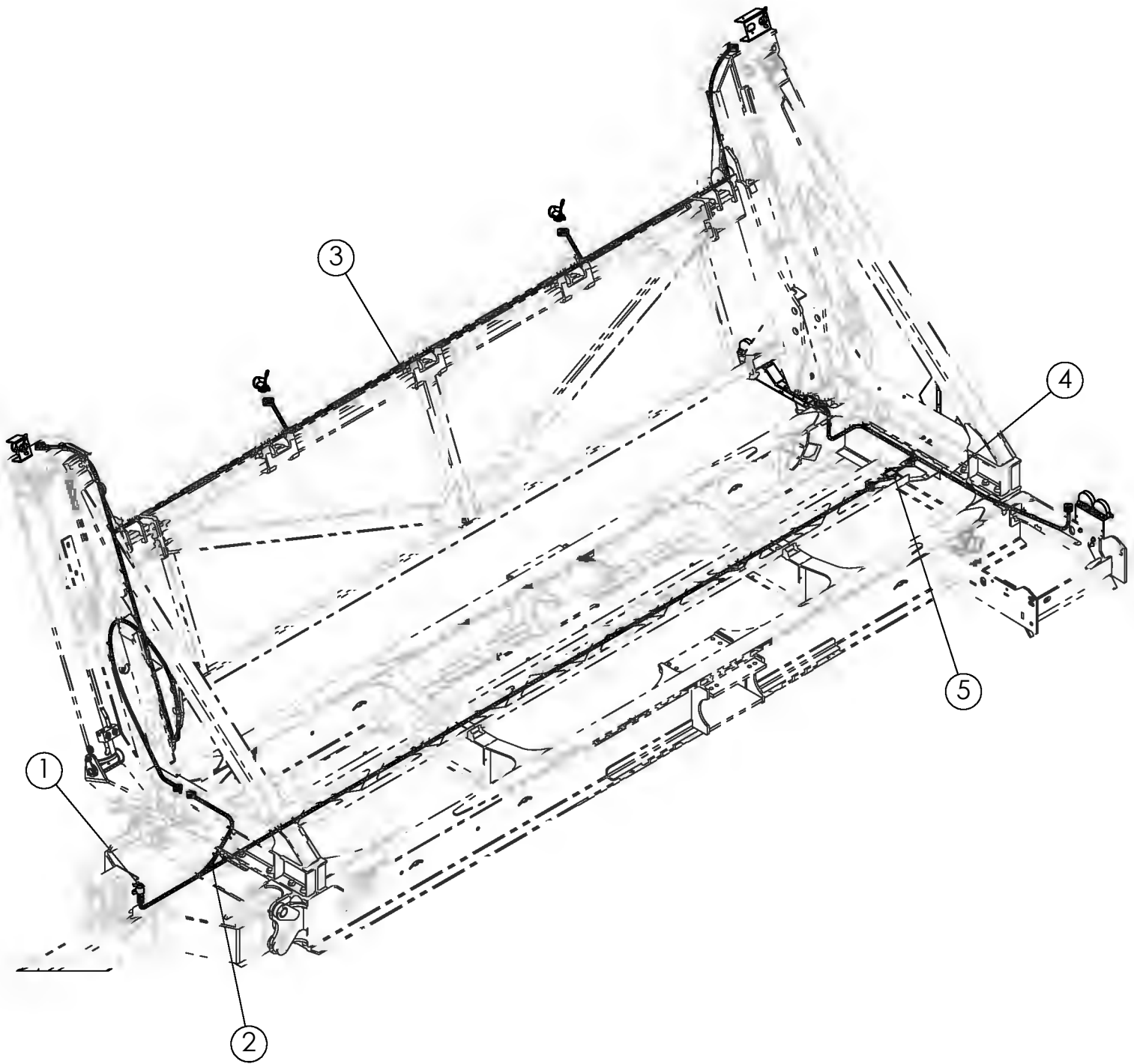
## WEIGHT KIT

ITEM	PART NO.	DESCRIPTION	QTY
1	319569	WLDMT-WGT BRACKET CC1000	1
2	1018008	BOLT-HEX: 1.00 X 3.00 NC GR8 ZP	4
3	1030728	WASHER-FLAT: SAE 1.00 XP GR8	8
4	1016969	NUT-TOPLOCK: 1.00 NC GR5 ZP	4
5	316633	WEIGHT-100 LB FOR SILAGE	15
6	1017708	BOLT-HEX: .50 X 2.25 NC GR5 ZP	4
7	1011584	WASHER-FLAT: SAE .50 ZP	4
8	303774	NUT-FLANGE: TOPLOCK .50 NC YZP	4
9	319349	WLDMT-WEIGHT CLAMP CC1000	1



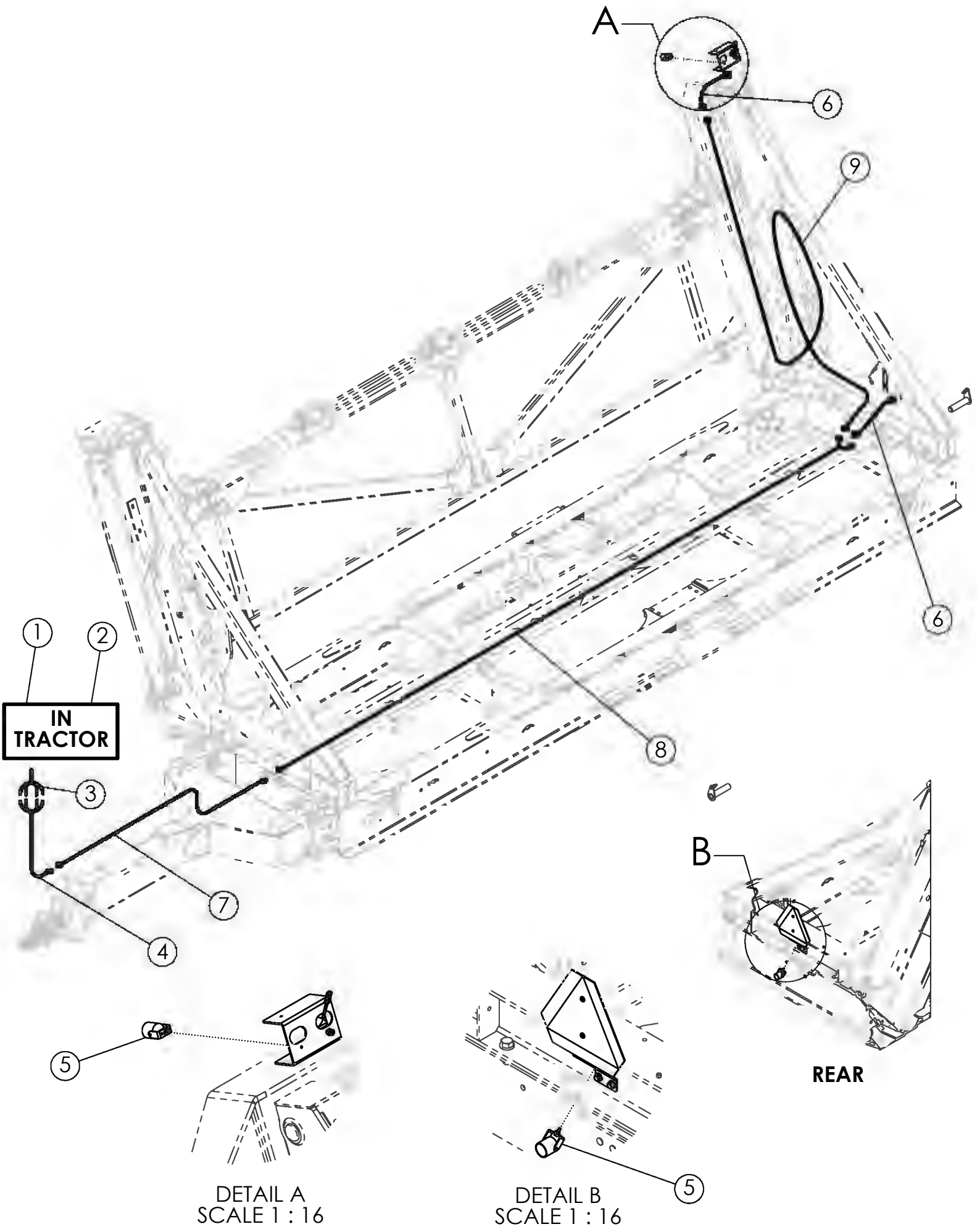
## LIGHT KIT

ITEM	PART NO.	DESCRIPTION	QTY
1	319225	WLDMT-LIGHT BRACKET RH	1
2	303774	NUT-FLANGE: TOPLOCK .50 NC YZP	5
3	319182	PLATE-LIGHT MOUNT LEFT	1
4	305218	LIGHT-RED LAMP SAE	2
5	305217	LIGHT-YELLOW LAMP SAE	2
6	1019550	BOLT-HEX: .25 X 1.50 NC GR5 ZP	16
7	1020416	WASHER-FLAT: .25 ZP	20
8	1030946	NUT-TOPLOCK: .25 NC GR5 ZP	2
9	1011607	BOLT-HEX: .50 X 1.50 NC GR5 ZP	3
10	1011584	WASHER-FLAT: SAE .50 ZP	11
11	1027461	NUT-TOPLOCK: .50 NC GR5 ZP	2
12	1011608	BOLT-HEX: .50 X 1.75 NC GR5 ZP	2
13	319003	PLATE-WORK LIGHT BRACKET FRONT	1
14	318763	PLATE-CAMERA/LIGHT MOUNT	1
15	1011609	BOLT-HEX: .50 X 2.00 NC GR5 ZP	2
16	301294	LIGHT-GROTE T26 NEAR FLOOD	4
17	318764	PLATE-SMV SIGN MOUNT	1
18	65329	SIGN-SMV ASAE S276.5	1
19	1011595	BOLT-HEX: .25 X .75 NC GR5 ZP	2
20	303777	NUT-FLANGE: TOPLOCK .25 NC YZP	16
21	1017708	BOLT-HEX: .50 X 2.25 NC GR5 ZP	2
22	1011581	WASHER-LOCK: .50 ZP	2



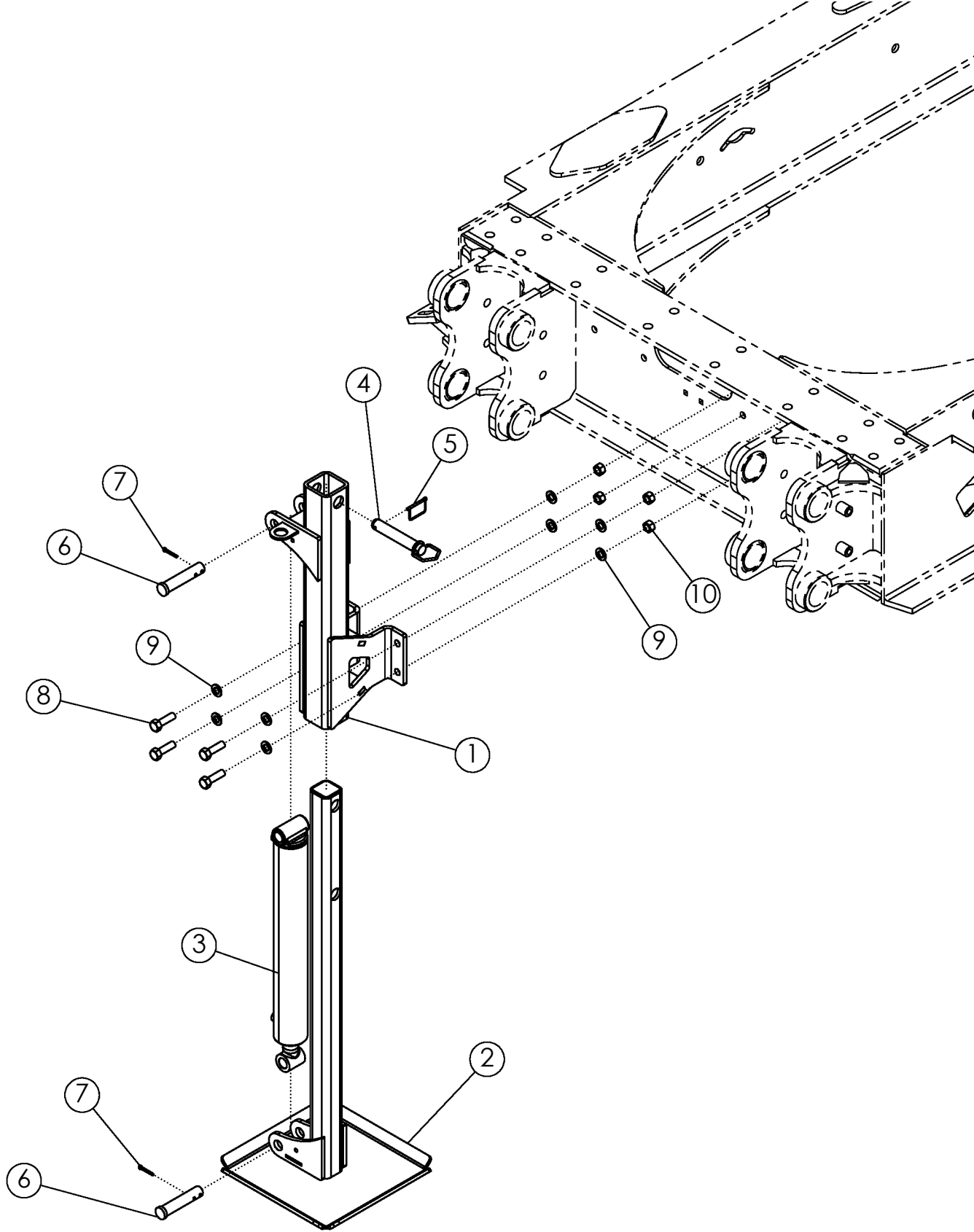
## LIGHT KIT HARNESSSES

ITEM	PART NO.	DESCRIPTION	QTY
1	223329	HOLDER-LIGHT PLUG	1
2	318073	HARNESS-CC1000 MAIN	1
3	318120	HARNESS-CC1000 WORK LIGHTS	1
4	318119	HARNESS-CC1000 HAZARD	1
5	305216	HARNESS-FLASHER MODULE	1



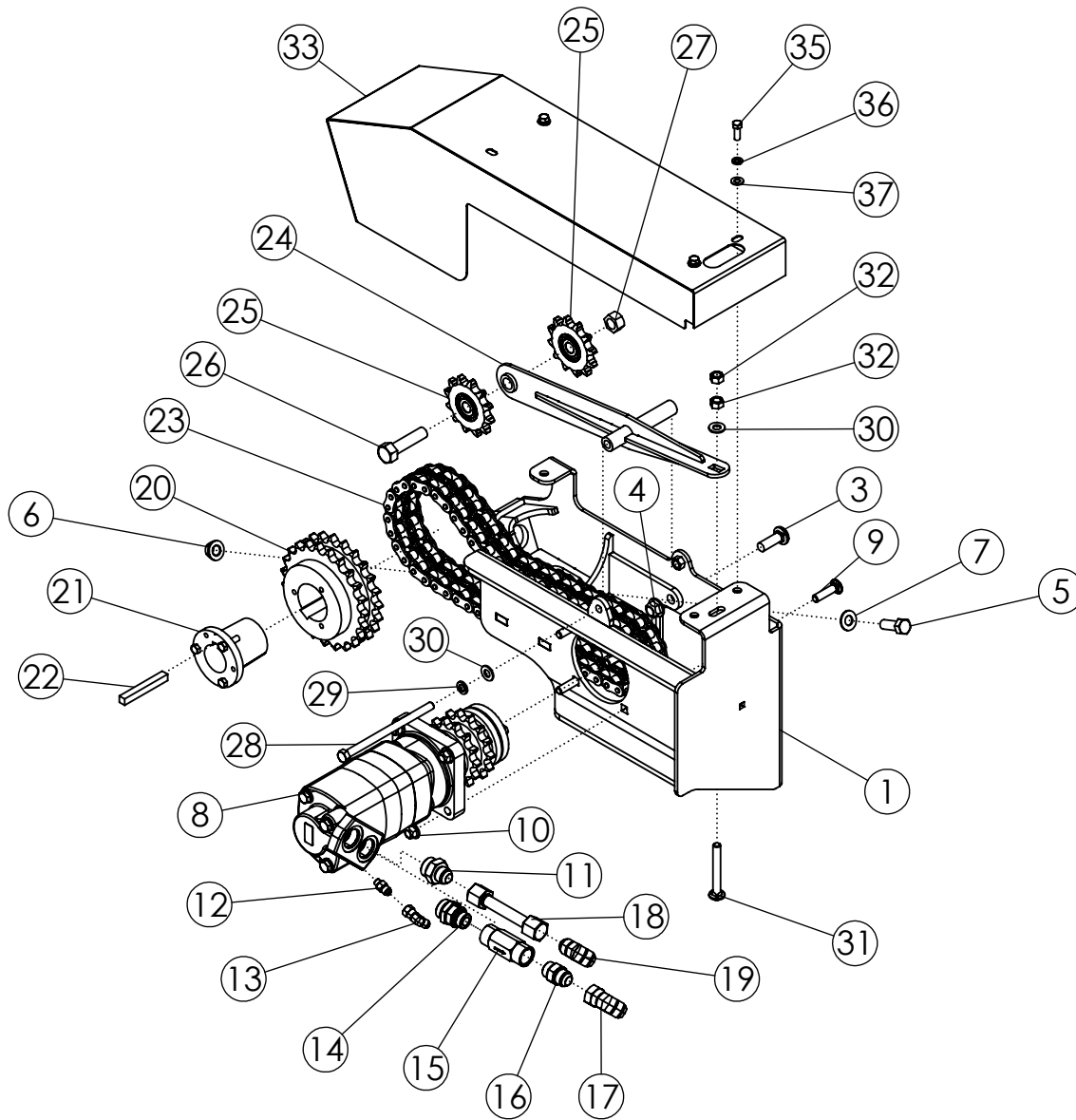
## CAMERA KIT W/ HARNESES

ITEM	PART NO.	DESCRIPTION	QTY
1	316183	MONITOR-9" CAMERA MONITOR (DAKOTA MICRO)	1
2	316185	REMOTE-MONITOR REMOTE (DAKOTA MICRO)	1
3	316184	HARNESS-MONITOR CABLES (DAKOTA MICRO)	1
4	319512	CABLE-CAMERA 20FT TRACTOR	1
5	316180	KT-CAMERA W/MOUNT (DAKOTA MICRO)	2
6	316181	HARNESS-36" CAMERA TAIL CABLE (DAKOTA MICRO)	2
7	319497	CABLE-CAMERA 16FT HITCH	1
8	319499	CABLE-CAMERA 25FT FRAME TRAY	1
9	319498	CABLE-CAMERA 30FT 6CFLEX CABLE	1

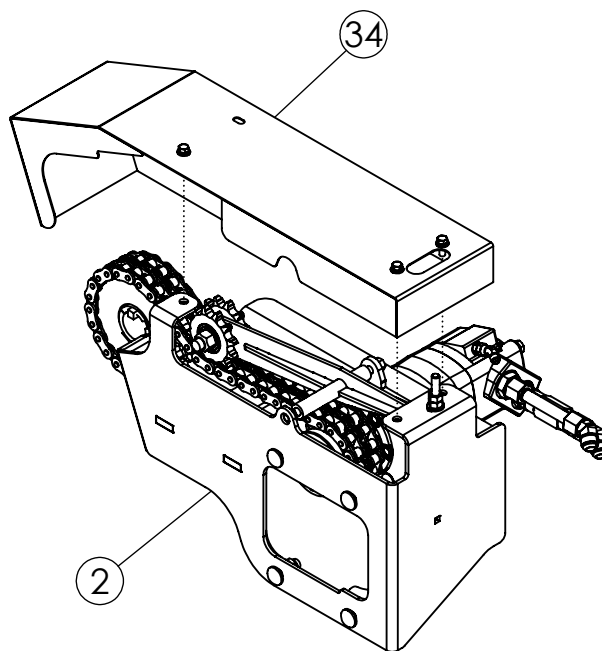


## HYDRAULIC JACK

ITEM	PART NO.	DESCRIPTION	QTY
1	318082	WLDMT-JACK HOUSING	1
2	318085	WLDMT-JACK ARM	1
3	318102	CYLINDER-HYD 3.5 X 24	1
4	318872	PIN-HYD JACK PIN	1
5	35970	PIN-SNAP .313 X 2.5	1
6	319001	PIN-CLEVIS 1.250 X 6.000	2
7	1016944	PIN-COTTER: .25 X 2.00 ZP	2
8	1016598	BOLT-HEX: .75 X 2.50 NC GR5 ZP	4
9	1012634	WASHER-FLAT: SAE .75 ZP	8
10	1017000	NUT-TOPLOCK: .75 NC GR5 ZP	4



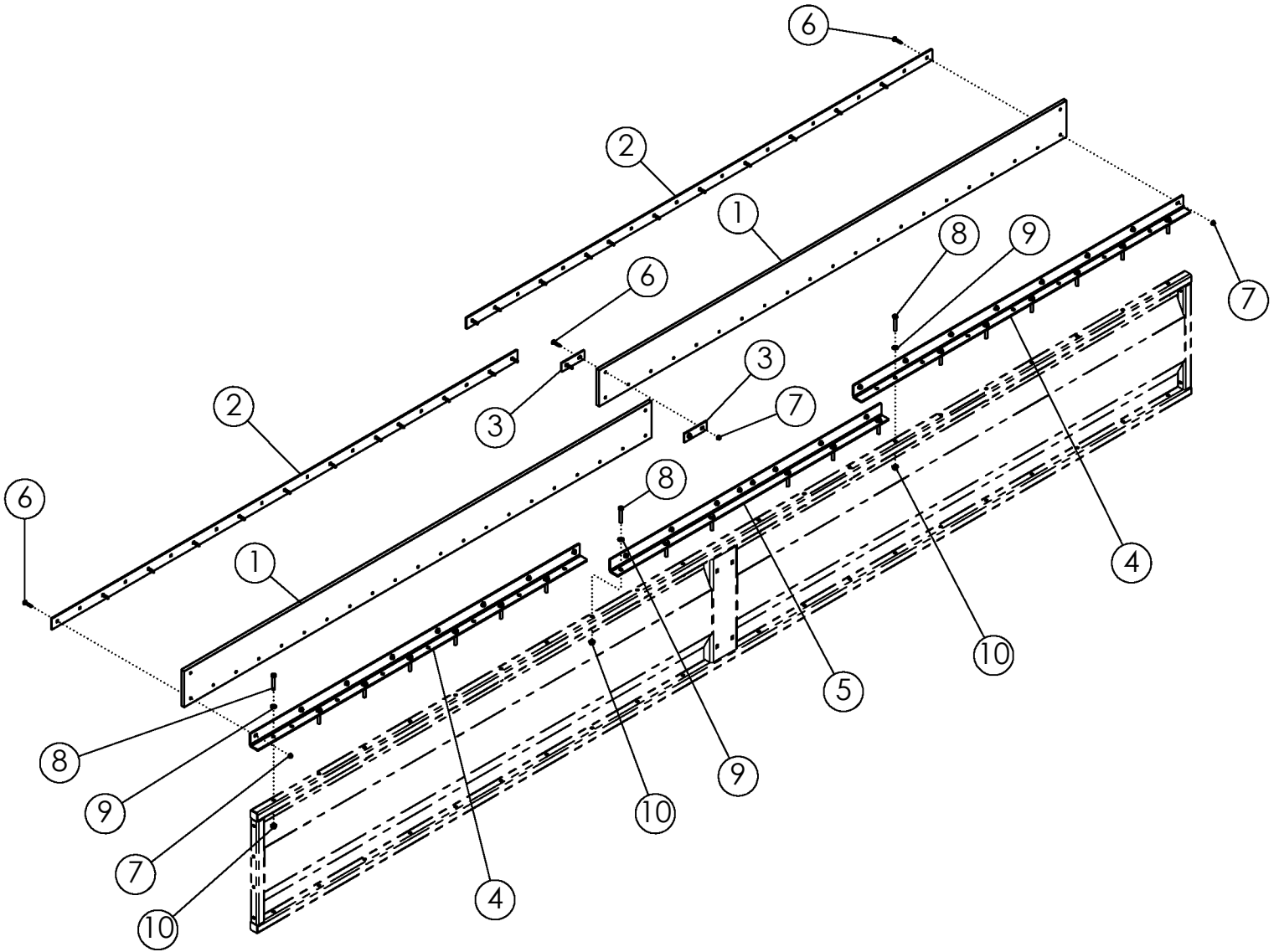
**FRONT  
MOTOR**



**REAR  
MOTOR**

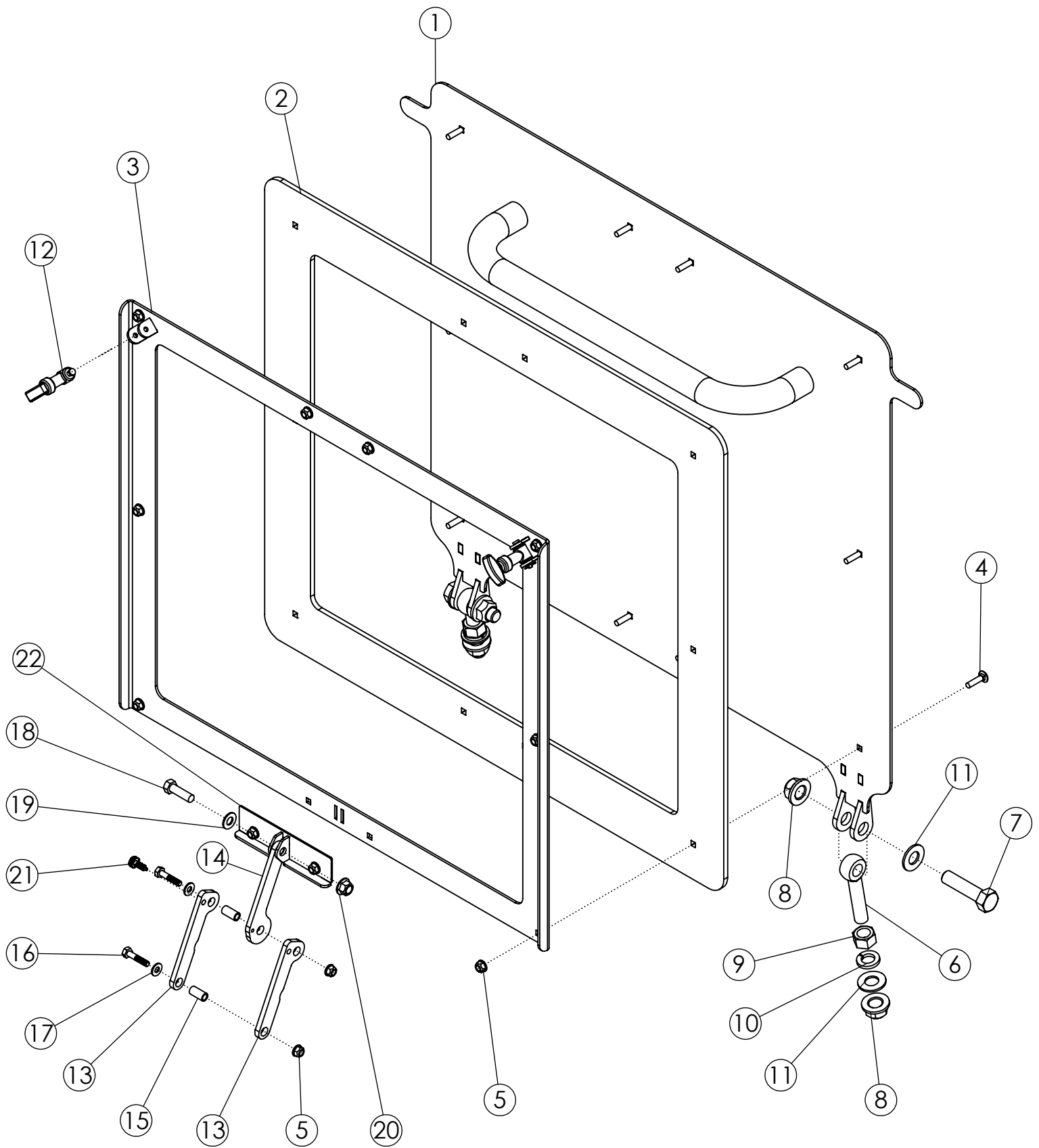
## FLOOR CHAIN MOTORS

ITEM	PART NO.	DESCRIPTION	QTY
1	319241	WLDMT-MOTOR MOUNT FRONT	1
2	319242	WLDMT-MOTOR MOUNT REAR	1
3	58635	BOLT-CRG: .63 X 2.00 NC GR5 ZP	8
4	34864	NUT-FLANGE: TOPLOCK .63 NC GR8 ZP	8
5	1013918	BOLT-HEX: .63 X 1.75 NC GR5 ZP	2
6	34864	NUT-FLANGE: TOPLOCK .63 NC GR8 ZP	2
7	1013004	WASHER-FLAT: SAE .63 ZP	2
8	319074	ASSY-CC1000 HYD MOTOR	2
9	44122	BOLT-CRG: .50 X 2.00 NC GR5 ZP	8
10	303774	NUT-FLANGE: TOPLOCK .50 NC YZP	8
11	58982	FTG-ADAPTER: 16MB-12MJ	2
12	300245	FTG-ADAPTER: 4MB-6MJ	2
13	301538	FTG-ELBOW: 6MJ-6FJX-45	2
14	319089	FTG-ADAPTER: 16MB-12MB	2
15	319088	VALVE-CHECK: 12FB-12FB	2
16	65918	FTG-ADAPTER: 12MB-12MJ	2
17	62014	FTG-ELBOW: 12MJ-12FJX-45	2
18	63471	ASSY-TUBE LINE .75 X 5.25 0-0	2
19	319334	FTG-ELBOW: 12MJ-12MJ-45	2
20	318024	SPROCKET H80-2-Q23H	2
21	58248	HUB Q2 2"ID 1/2"KEY	2
22	319031	KEY .500 X .500 X 4.000	2
23	318050	CHAIN-ROLLER 80H-2R-054 (54IN)-PEER	2
	319554	CHAIN-CONNECTOR LINK 80R-2	
	319555	CHAIN-HALF LINK 80R-2	
24	318732	WLDMT-MOTOR CHAIN TENSIONER	2
25	56334	SPROCKET-IDLER 8012	4
26	1012059	BOLT-HEX: .75 X 3.00 NC GR5 ZP	2
27	1017000	NUT-TOPLOCK: .75 NC GR5 ZP	2
28	1032525	BOLT-HEX: .50 X 8.00 NC GR5 ZP	2
29	1011581	WASHER-LOCK: .50 ZP	2
30	1011584	WASHER-FLAT: SAE .50 ZP	4
31	319078	BOLT-CRG: .50 X 4.00 NC GR5 ZP	2
32	1011577	NUT-HEX: .50 NC GR2 ZP	4
33	318692	WLDMT-MOTOR SHIELD FRONT	1
34	318693	WLDMT-MOTOR SHIELD REAR	1
35	1011600	BOLT-HEX: .38 X 1.00 NC GR5 ZP	6
36	1011586	WASHER-LOCK: .38 ZP	6
37	1014608	WASHER-FLAT: SAE .38 ZP	6



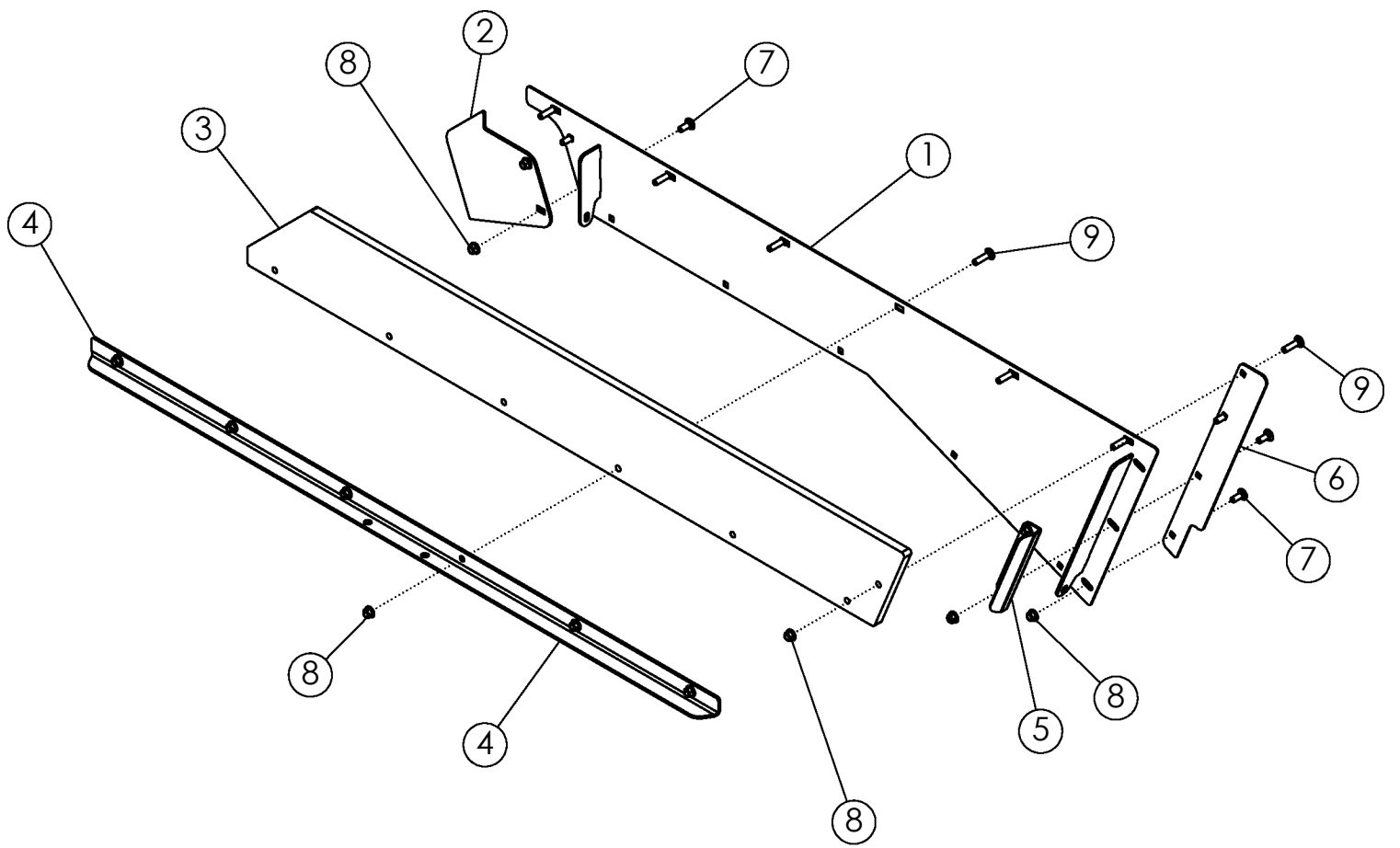
## FILL WALL RUBBER

ITEM	PART NO.	DESCRIPTION	QTY
1	318046	RUBBER-TOP FILL STRIP	2
2	318449	PLATE-FILL SIDE RUBBER BACKING STRIP	2
3	318857	PLATE-TOP FILL RUBBER CONNECTION	2
4	319189	PLATE-FILL WALL EXTENSION RUBBER MOUNT END	2
5	319190	PLATE-FILL WALL EXTENSION RUBBER MOUNT MID	1
6	340046	BOLT-CRG: .38 X 1.75 NC GR5 ZP	26
7	303731	NUT-FLANGE: TOPLOCK .38 NC YZP	26
8	1011611	BOLT-HEX: .50 X 3.00 NC GR5 ZP	20
9	1011584	WASHER-FLAT: SAE .50 ZP	20
10	303774	NUT-FLANGE: TOPLOCK .50 NC YZP	20



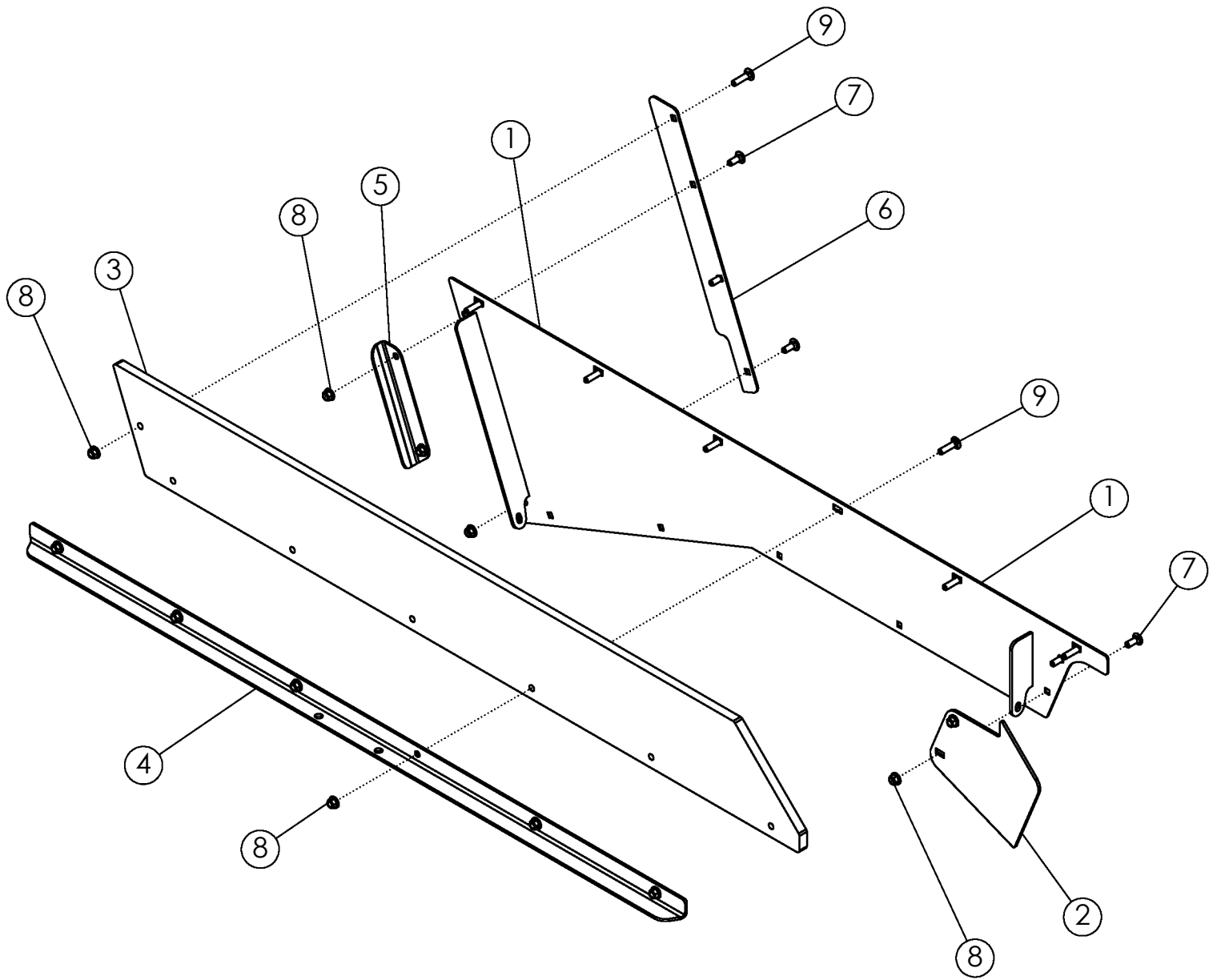
## TANK ACCESS DOOR

ITEM	PART NO.	DESCRIPTION	QTY
1	319303	WLDMT-TANK ACCESS DOOR	1
2	319306	RUBBER-TANK ACCESS DOOR	1
3	319307	WLDMT-TANK DOOR SUPPORT	1
4	1017254	BOLT-CRG: .25 X 1.00 NC GR5 ZP	10
5	303777	NUT-FLANGE: TOPLOCK .25 NC YZP	12
6	51691	EYEBOLT .63 X 3.25 ZP	2
7	1013023	BOLT-HEX: .63 X 2.50 NC GR5 ZP	2
8	34864	NUT-FLANGE: TOPLOCK .63 NC GR8 ZP	4
9	1011578	NUT-HEX: .63 NC GR2 ZP	2
10	1011813	WASHER-LOCK: .63 ZP	2
11	1013004	WASHER-FLAT: SAE .63 ZP	4
12	319315	LATCH-SMALL RUBBER DRAW LATCH	2
13	319311	PLATE-LOCK UP BAR W/THREAD HOLE ZP	2
14	319312	PLATE-LOCK UP BAR ZP	1
15	319313	TUBE-LOCK UP SPACER ZP	2
16	1013940	BOLT-HEX: .25 X 1.25 NC GR5 ZP	2
17	0100979	WASHER-FLAT: SAE .25 ZP	2
18	1011601	BOLT-HEX: .38 X 1.25 NC GR5 ZP	1
19	1014608	WASHER-FLAT: SAE .38 ZP	1
20	303731	NUT-FLANGE: TOPLOCK .38 NC YZP	1
21	319314	LATCH-SPRING LOADED PIN WITH THREAD LOCKER	1
22	319543	WLDMT-DOOR LOCK UP MOUNT	1



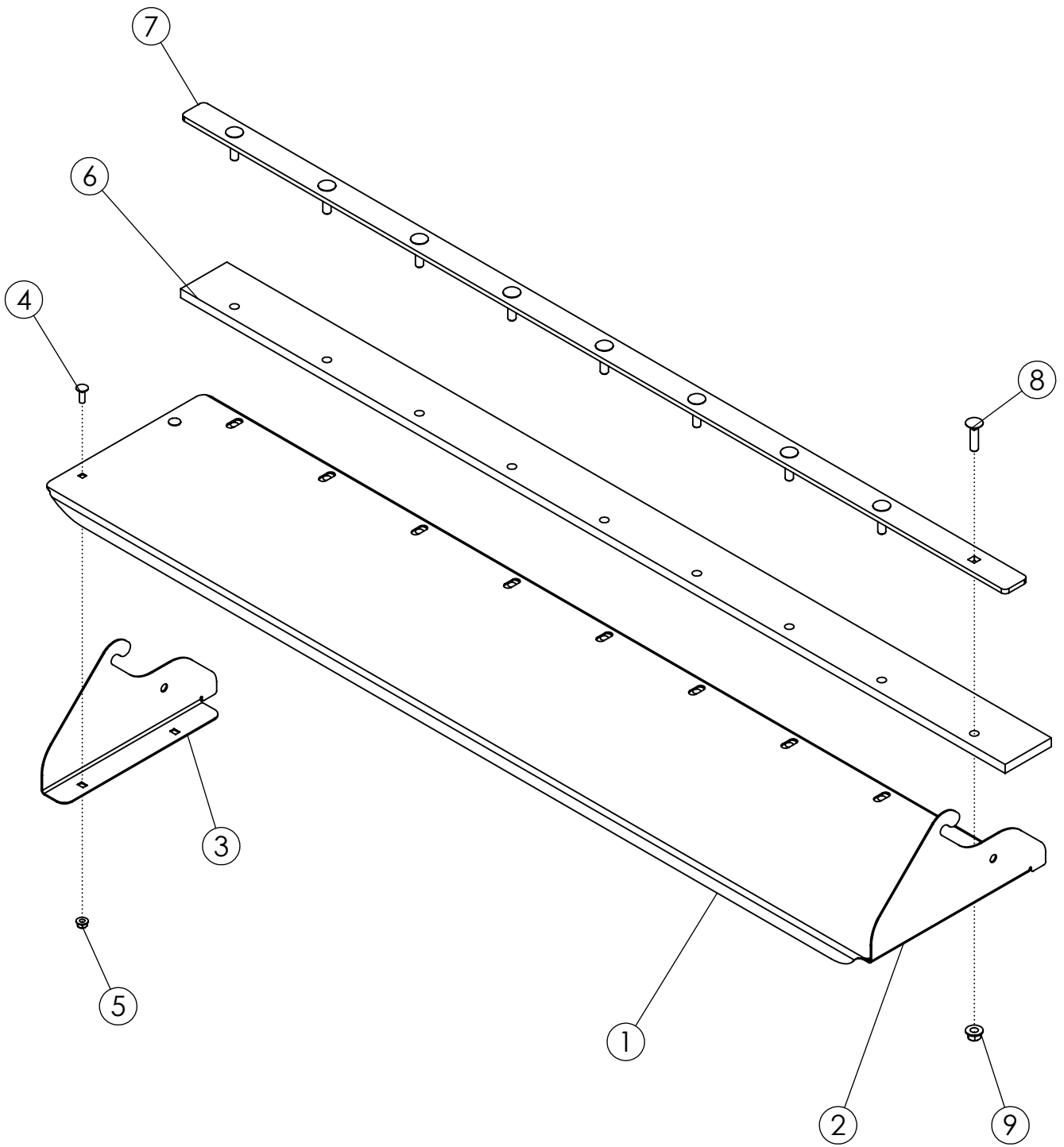
## TANK TOP EXTENSION FRONT

ITEM	PART NO.	DESCRIPTION	QTY
1	319274	WLDMT-TANK TOP EXTENSION FRONT	1
2	319279	PLATE-EXTENSION END	1
3	319280	RUBBER-TANK TOP EXTENSION	1
4	319281	PLATE-TOP EXTENSION CLAMP	1
5	319282	PLATE-DOOR GUIDE TOP	1
6	319283	PLATE-DOOR STOP TOP	1
7	59488	BOLT-CRG: .38 X 1.00 NC GR5 ZP	5
8	303731	NUT-FLANGE: TOPLOCK .38 NC YZP	12
9	58679	BOLT-CRG: .38 X 1.50 NC GR5 ZP	7



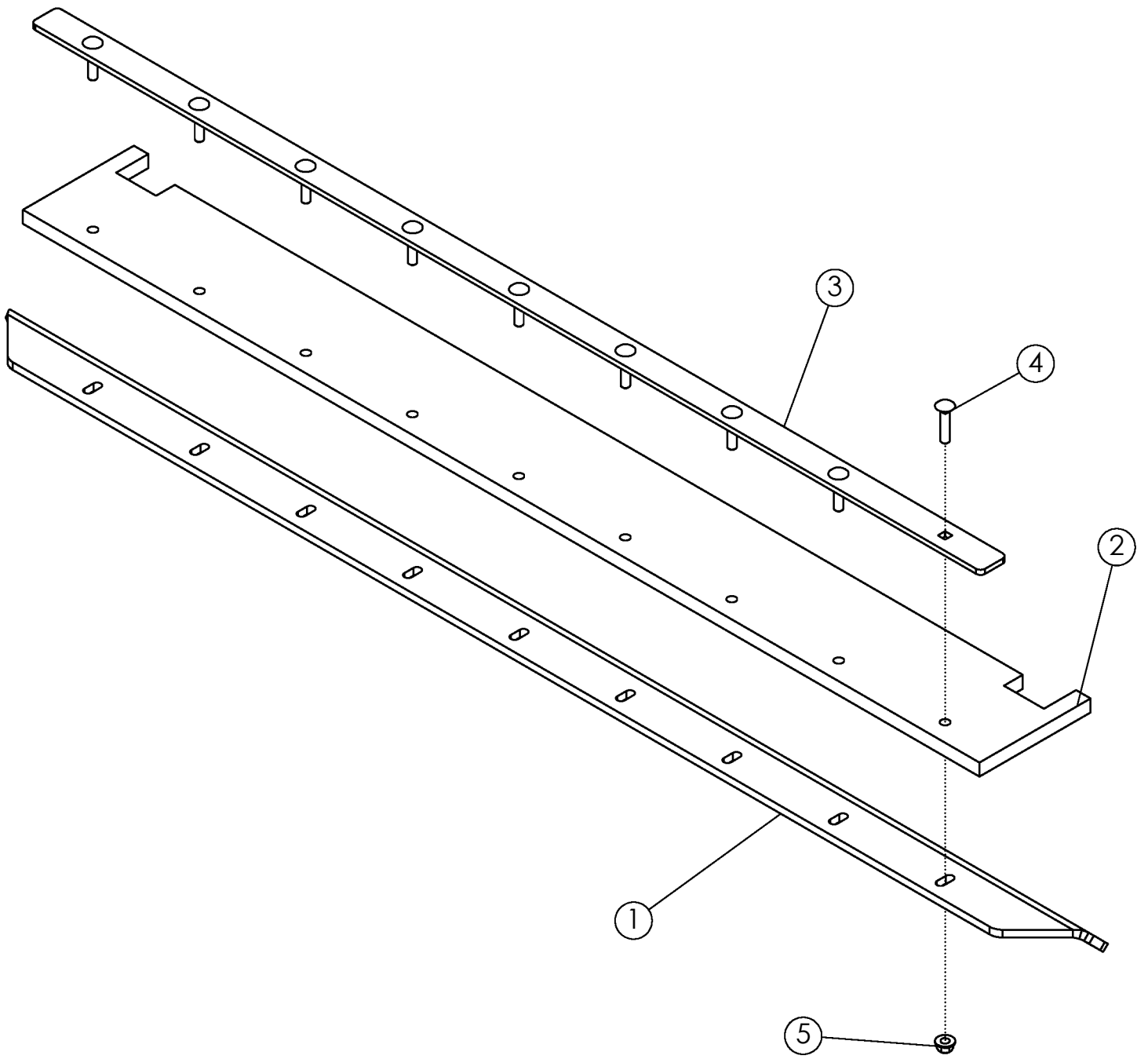
## TANK TOP EXTENSION REAR

ITEM	PART NO.	DESCRIPTION	QTY
1	319275	WLDMT-TANK TOP EXTENSION REAR	1
2	319279	PLATE-EXTENSION END	1
3	319280	RUBBER-TANK TOP EXTENSION	1
4	319281	PLATE-TOP EXTENSION CLAMP	1
5	319282	PLATE-DOOR GUIDE TOP	1
6	319283	PLATE-DOOR STOP TOP	1
7	59488	BOLT-CRG: .38 X 1.00 NC GR5 ZP	5
8	303731	NUT-FLANGE: TOPLOCK .38 NC YZP	12
9	58679	BOLT-CRG: .38 X 1.50 NC GR5 ZP	7



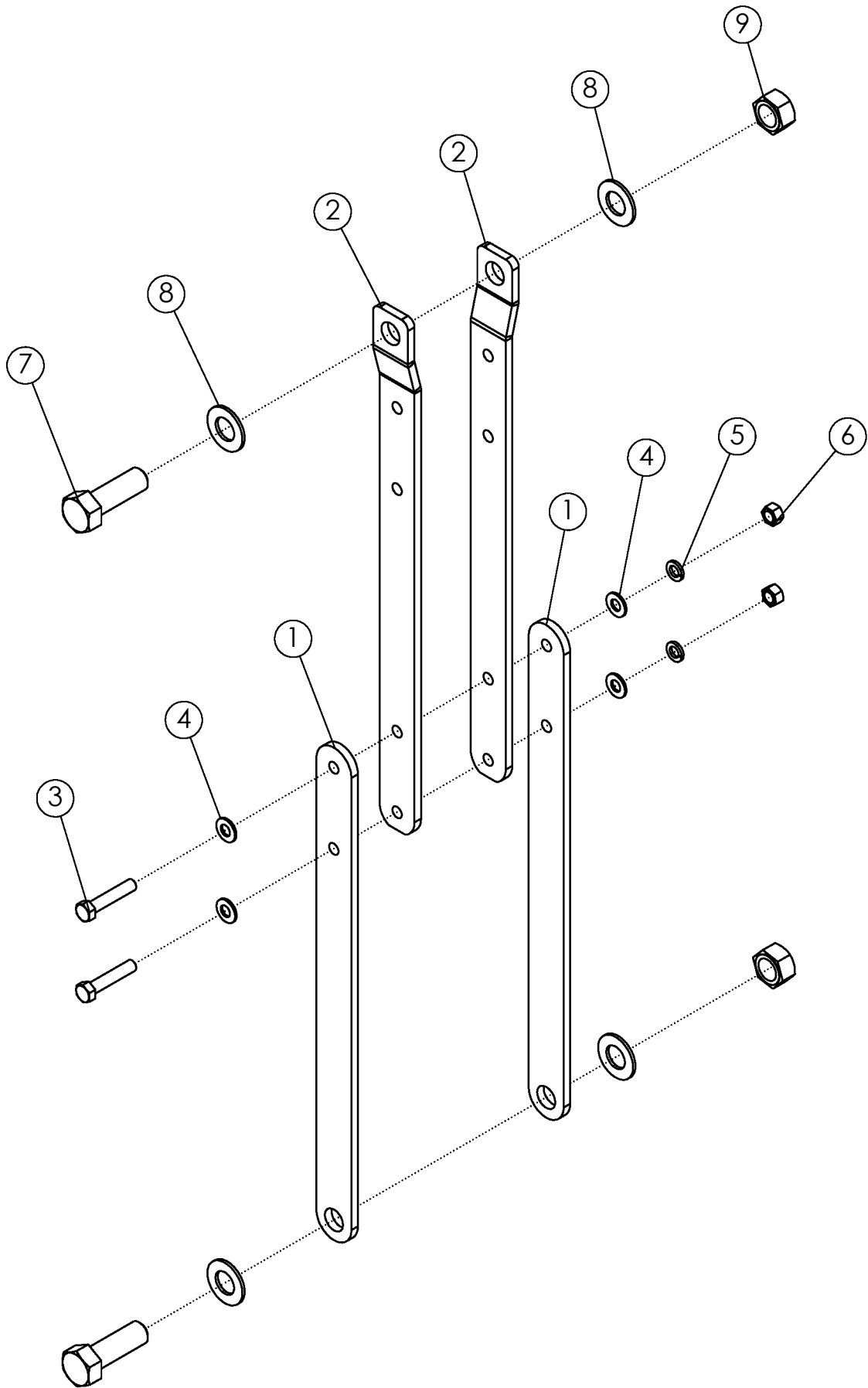
## HOOK ON GRAIN CHUTE

ITEM	PART NO.	DESCRIPTION	QTY
	319051	ASSY-HOOK ON GRAIN CHUTE	
1	319050	PLATE-HOOK ON GRAIN CHUTE	1
2	319068	PLATE-GRAIN CHUTE SIDE RH	1
3	319069	PLATE-GRAIN CHUTE SIDE LH	1
4	68602	BOLT-CRG: .25 X .75 NC GR5 ZP	4
5	303777	NUT-FLANGE: TOPLOCK .25 NC YZP	4
6	319057	RUBBER-CHAIN BOTTOM WPER	1
7	319058	PLATE-CHAIN RUBBER CLAMP	1
8	58679	BOLT-CRG: .38 X 1.50 NC GR5 ZP	9
9	303731	NUT-FLANGE: TOPLOCK .38 NC YZP	9



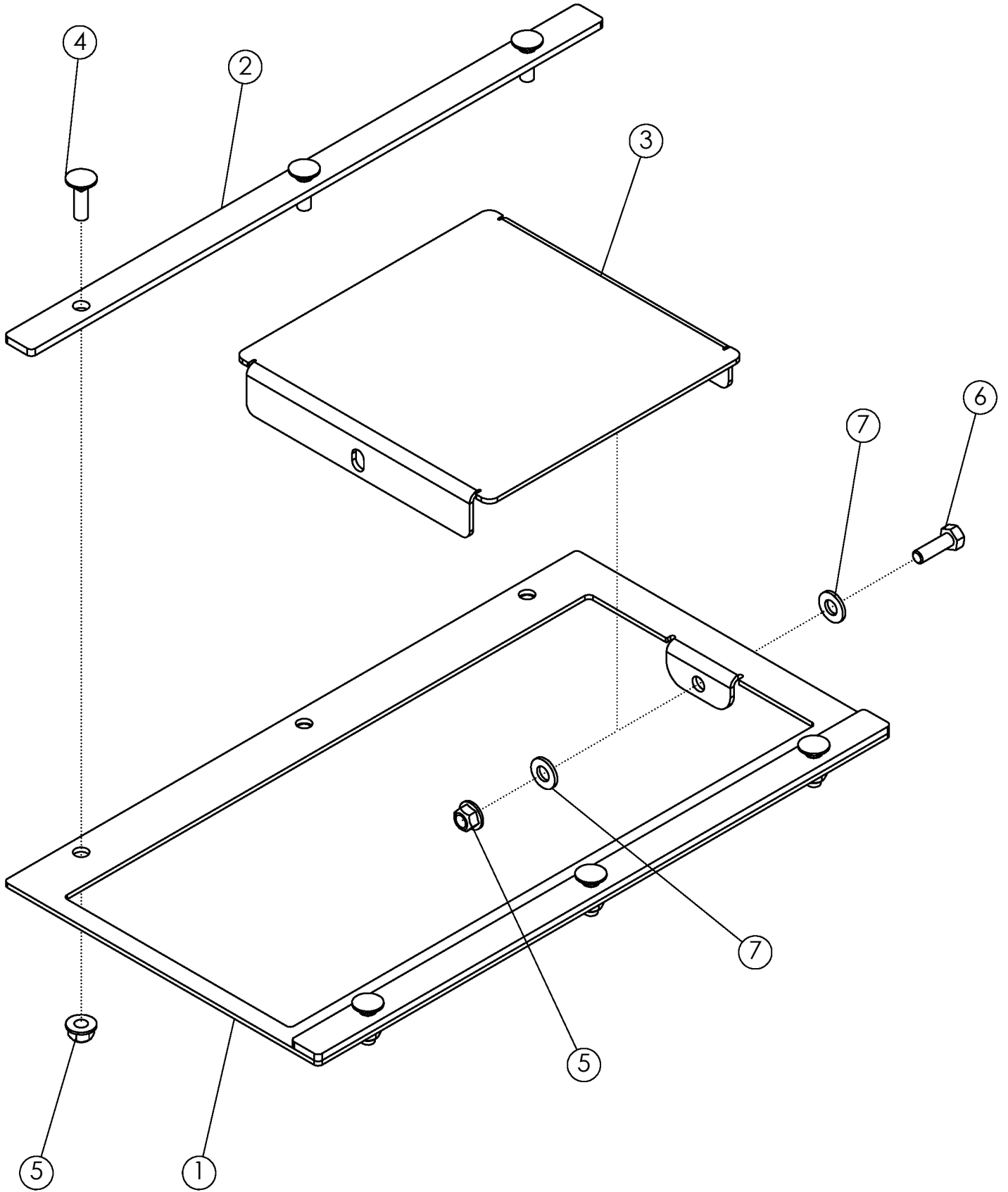
## UNLOAD CHAIN WIPER

ITEM	PART NO.	DESCRIPTION	QTY
1	319048	PLATE-RUBBER WIPER MOUNT	1
2	319049	RUBBER-CHAIN TOP WIPER	1
3	319058	PLATE-CHAIN RUBBER CLAMP	1
4	340046	BOLT-CRG: .38 X 1.75 NC GR5 ZP	9
5	303731	NUT-FLANGE: TOPLOCK .38 NC YZP	9



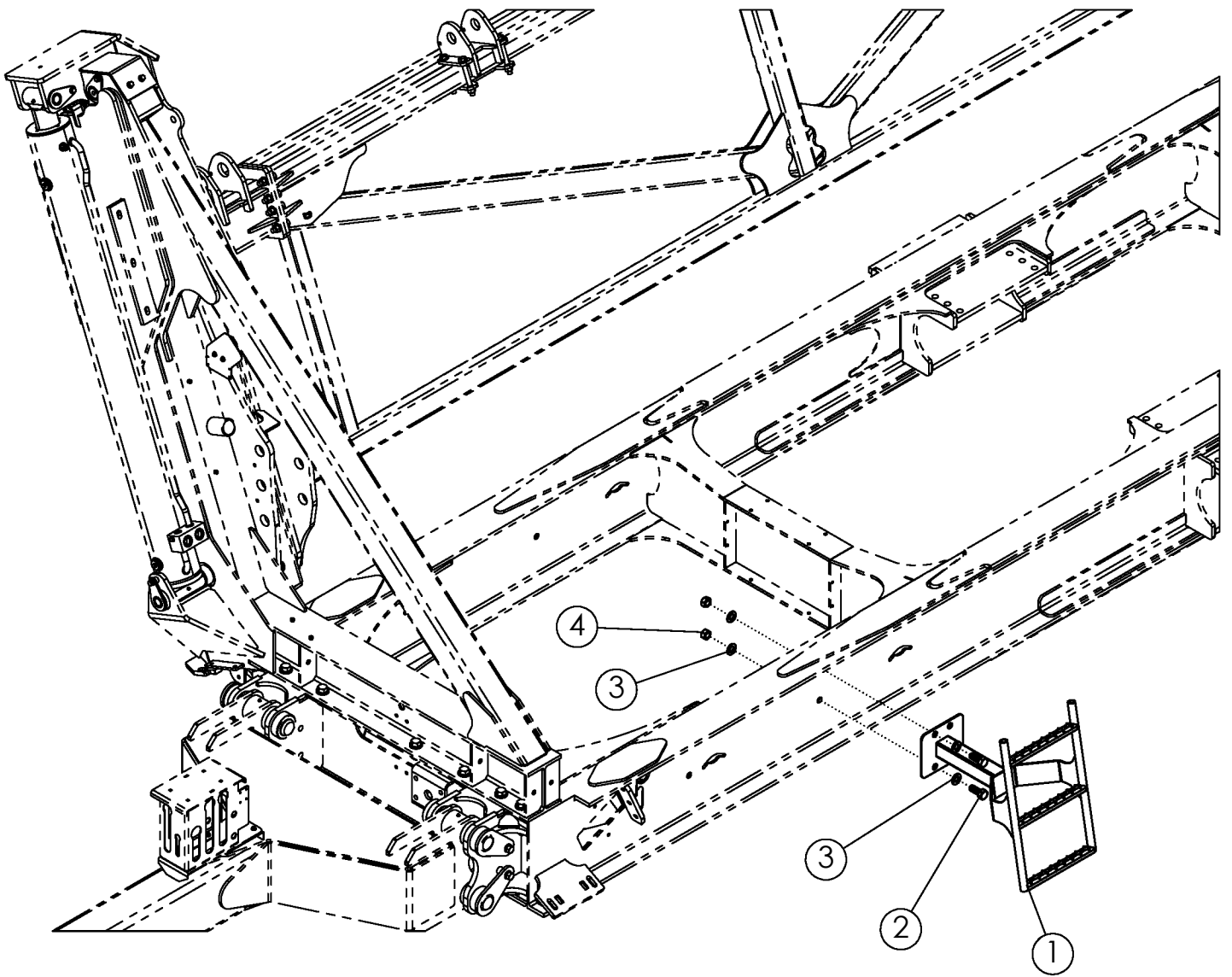
## TOP DOOR LOCK UP BAR

ITEM	PART NO.	DESCRIPTION	QTY
1	319208	PLATE-TOP DOOR LOCK UP	2
2	319209	PLATE-TOP DOOR LOCK UP BENT	2
3	1011610	BOLT-HEX: .50 X 2.50 NC GR5 ZP	2
4	1011584	WASHER-FLAT: SAE .50 ZP	4
5	1011581	WASHER-LOCK: .50 ZP	2
6	1011577	NUT-HEX: .50 NC GR2 ZP	2
7	1018007	BOLT-HEX: 1.00 X 3.00 NC GR5 ZP	2
8	1016663	WASHER-FLAT: SAE 1.00 ZP	4
9	1016969	NUT-TOPLOCK: 1.00 NC GR5 ZP	2



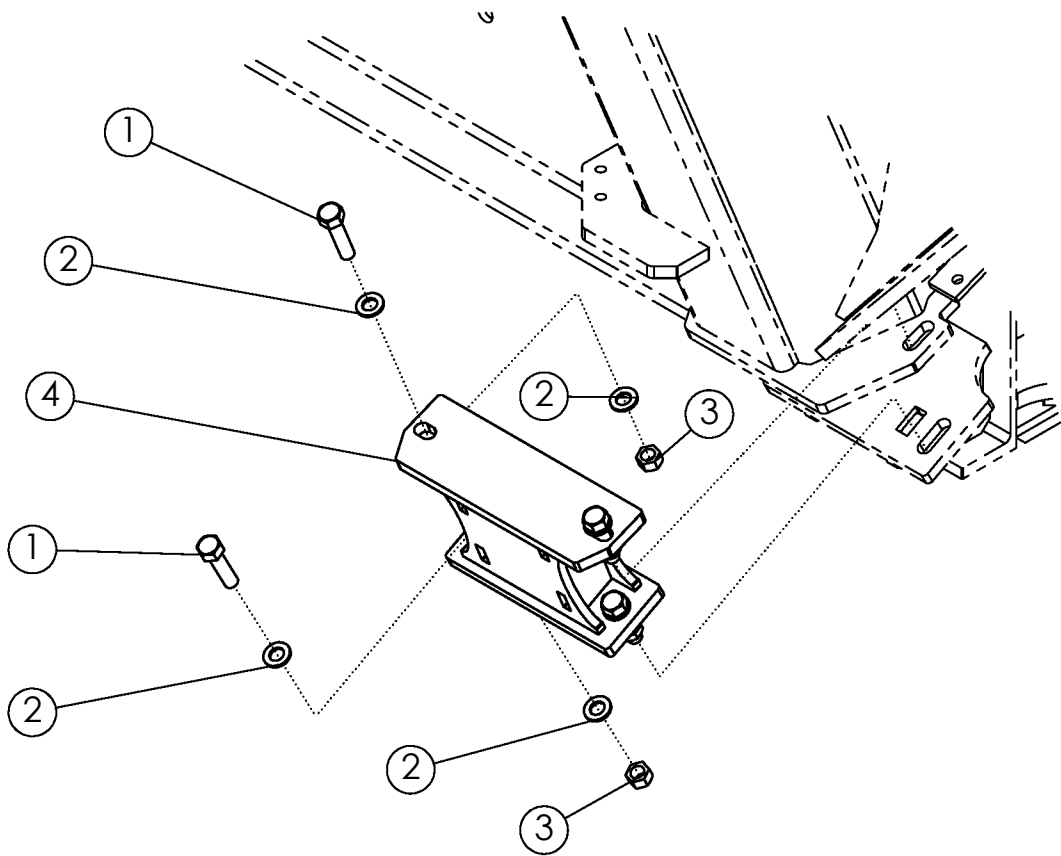
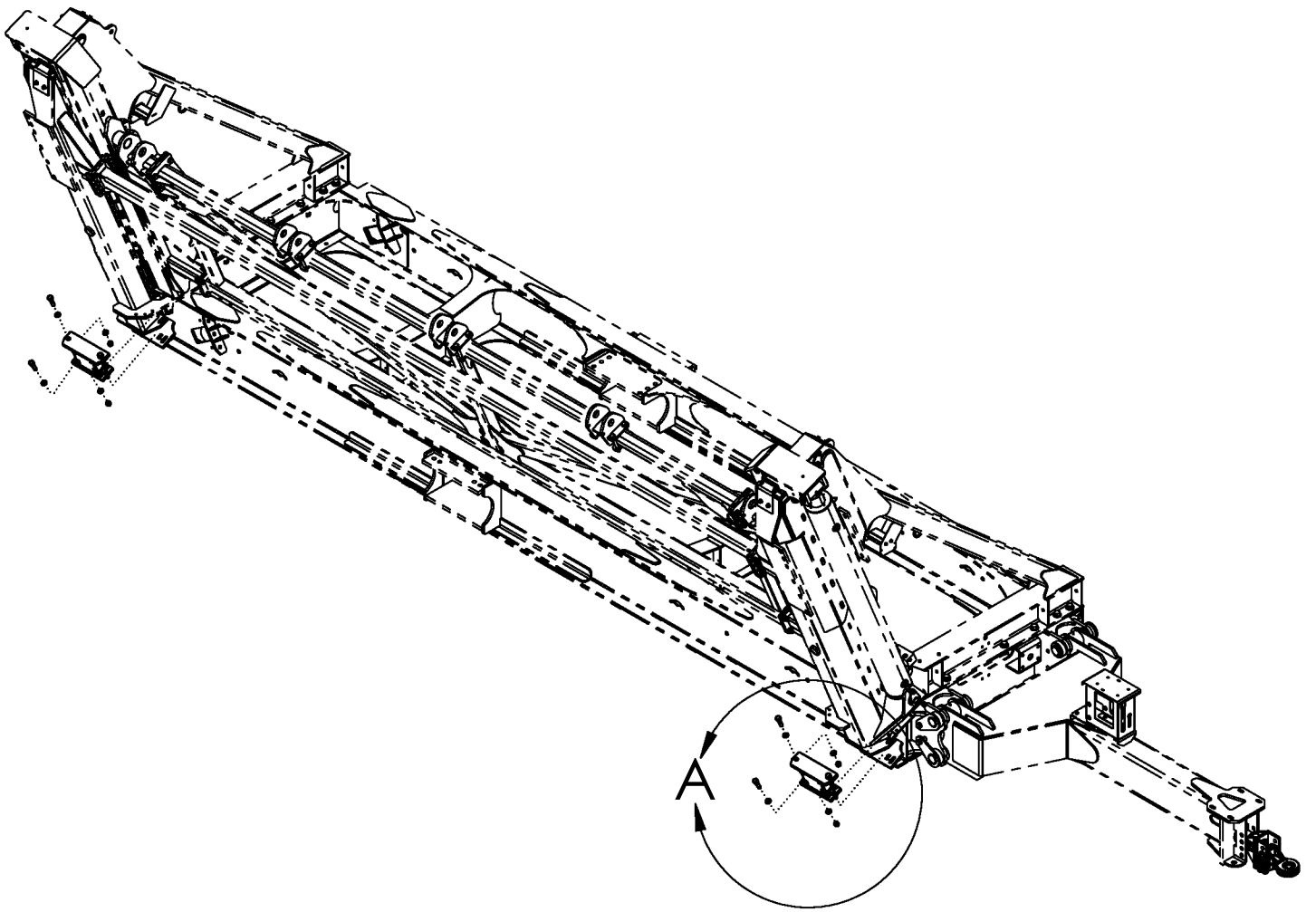
## TANK SLIDE GATE

ITEM	PART NO.	DESCRIPTION	QTY
1	319228	PLATE-SLIDE GATE MOUNT	1
2	319229	PLATE-SLIDE GATE SPACER	2
3	319230	PLATE-SLIDE GATE	1
4	1017255	BOLT-CRG: .31 X 1.00 NC GR5 ZP	6
5	303778	NUT-FLANGE: TOPLOCK .31 NC YZP	7
6	1011598	BOLT-HEX: .31 X 1.00 NC GR5 ZP	1
7	1011582	WASHER-FLAT: SAE .31 ZP	2



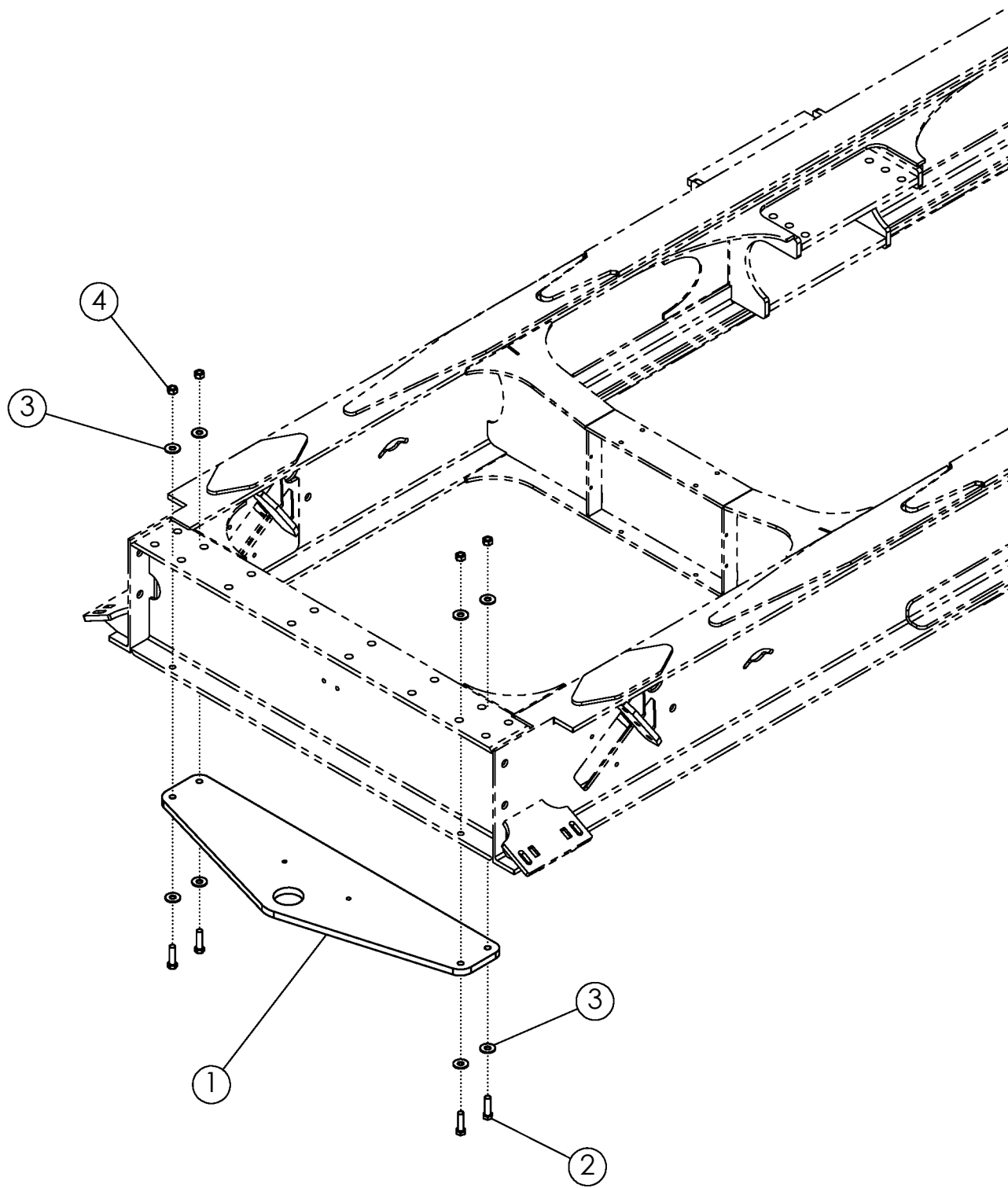
## TANK LADDER

ITEM	PART NO.	DESCRIPTION	QTY
1	319317	WLDMT-CC1000 TANK ACCESS LADDER	1
2	1023331	BOLT-HEX: 1.00 X 2.50 NC GR5 ZP	2
3	1016663	WASHER-FLAT: SAE 1.00 ZP	4
4	1016969	NUT-TOPLOCK: 1.00 NC GR5 ZP	2



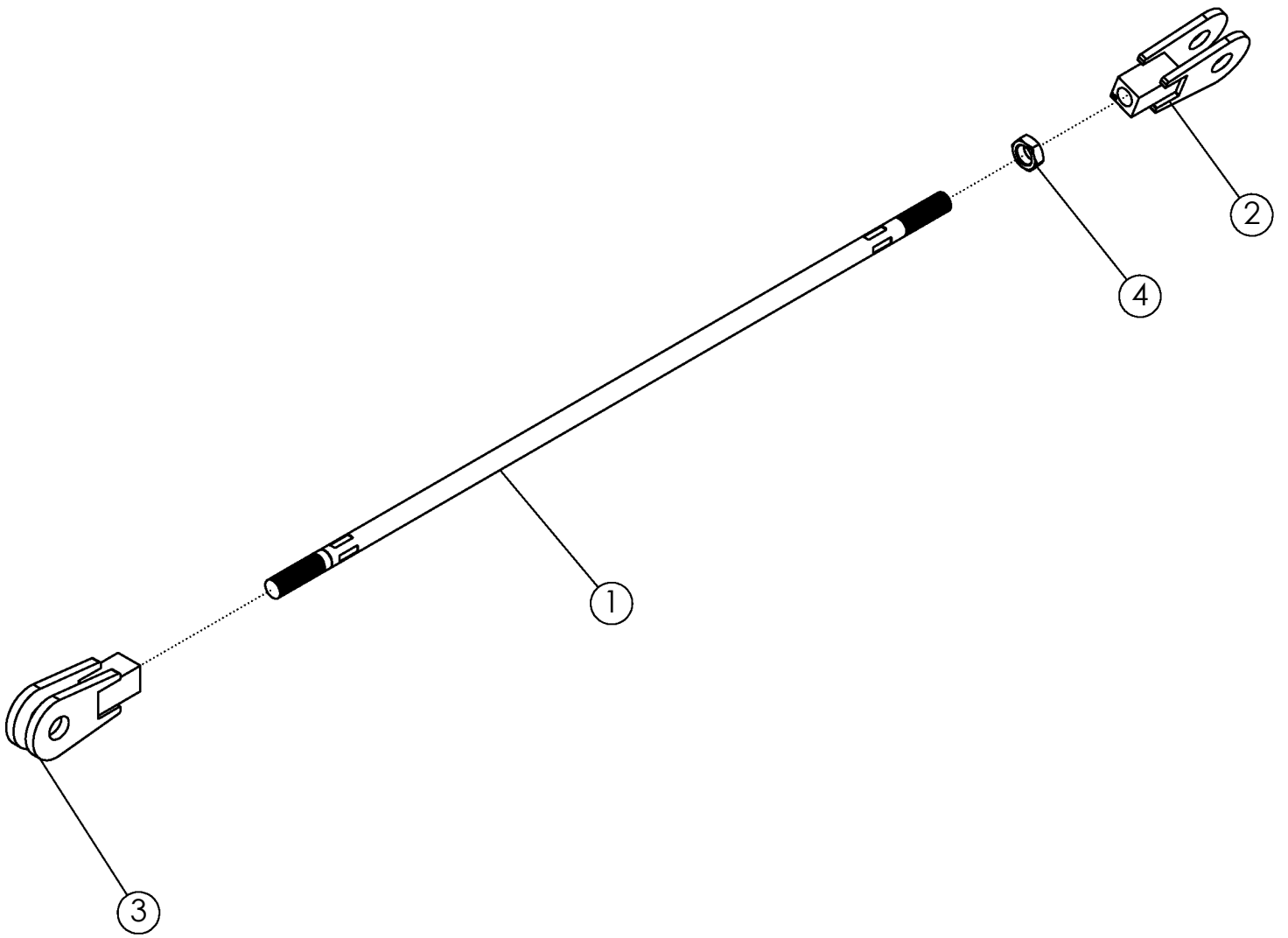
## HAUNCH

ITEM	PART NO.	DESCRIPTION	QTY
1	1032291	BOLT-HEX: .75 X 3.00 NC GR8 YZP	8
2	35132	WASHER-FLAT: SAE .75 GR8 YZP	16
3	1017000	NUT-TOPLOCK: .75 NC GR5 ZP	8
4	318962	WLDMT-HAUNCH PEDESTAL	2



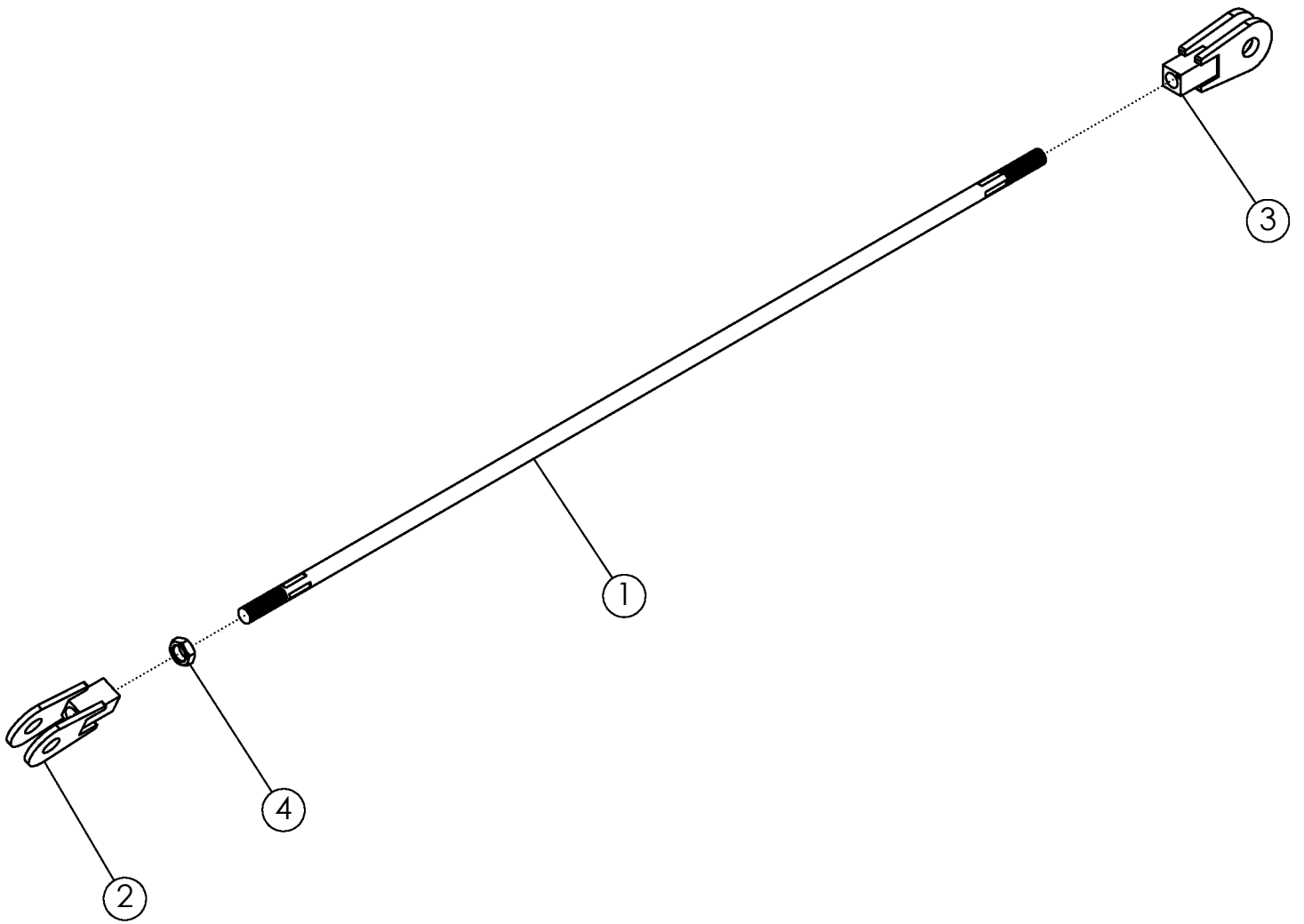
## REVERSE HITCH

ITEM	PART NO.	DESCRIPTION	QTY
1	318880	PLATE-REVERSE HITCH PULL	1
2	66495	BOLT-HEX: .75 X 2.75 NC GR8 YZP	4
3	1030702	WASHER-FLAT: .75 ZP	8
4	1011434	NUT-TOPLOCK: .75 NC GR8 ZP	4



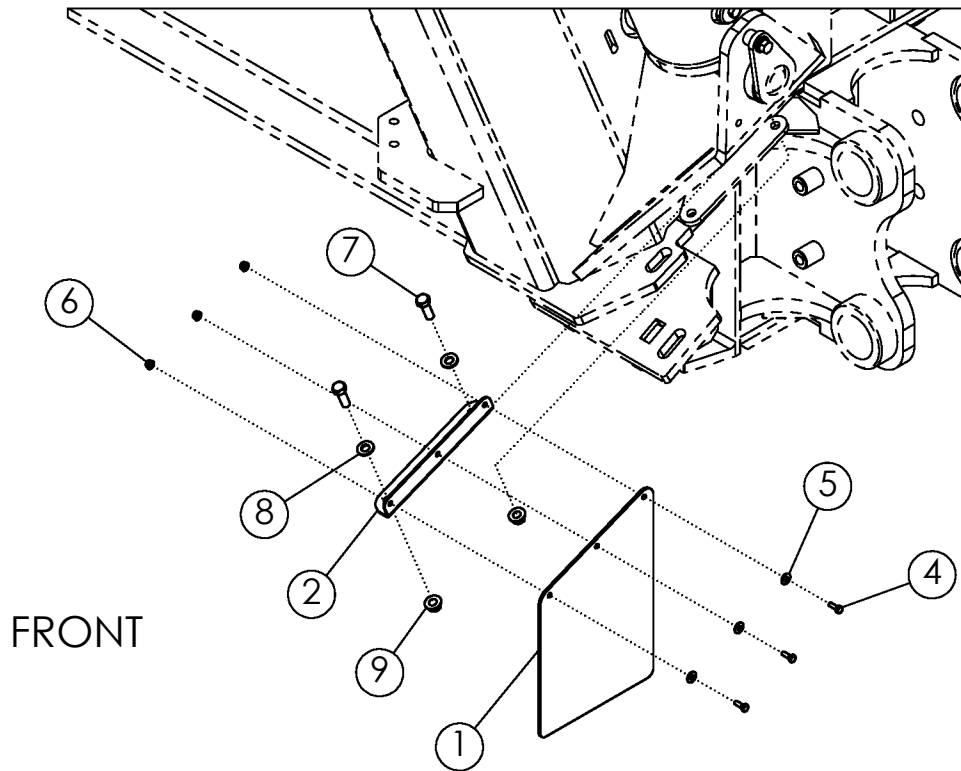
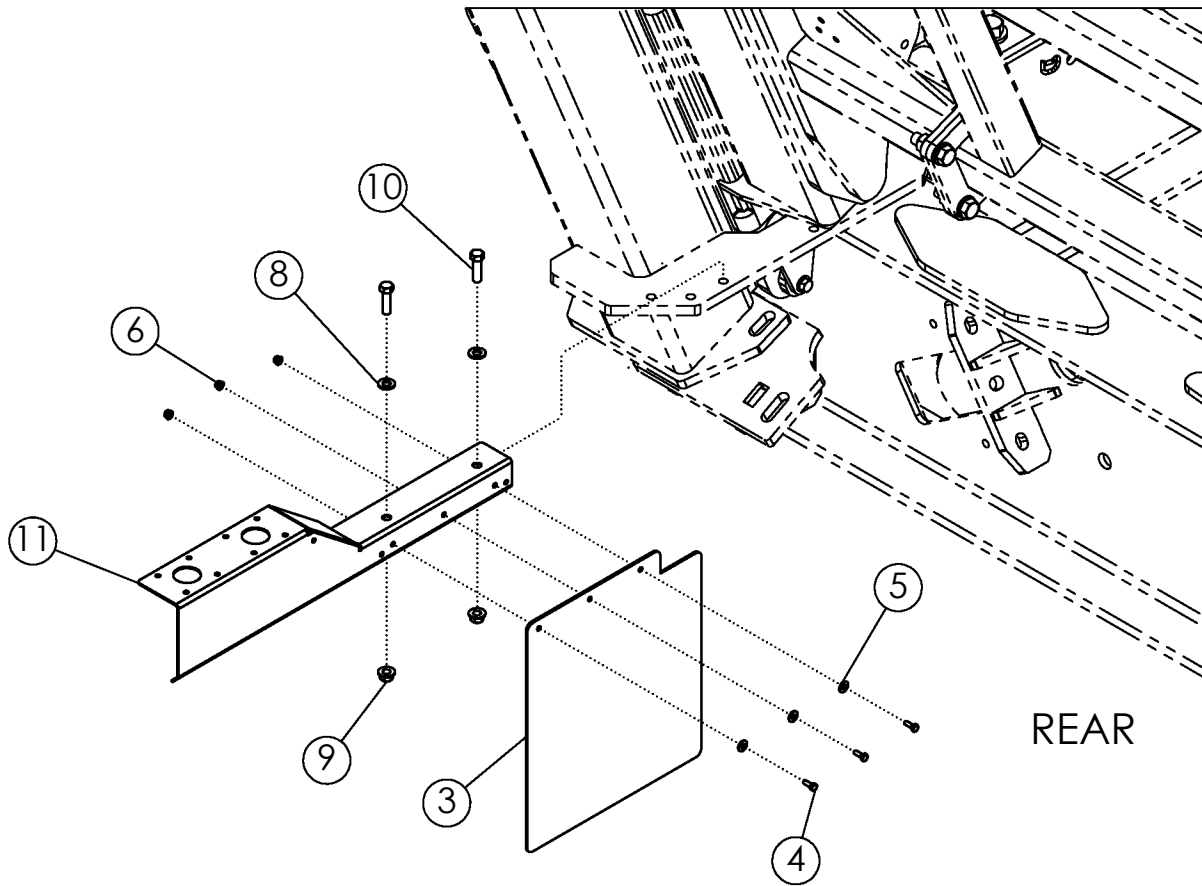
## TRUSS ARM SHORT

ITEM	PART NO.	DESCRIPTION	QTY
1	318948	SHAFT-TRUSS SUPPORT SHORT	1
2	318925	WLDMT-CLEVIS MNT RH THREADED	1
3	318924	WLDMT-CLEVIS MNT LH THREADED	1
4	319237	NUT-JAM: 2.00 NF GR2 ZP	1



## TRUSS ARM LONG

ITEM	PART NO.	DESCRIPTION	QTY
1	318947	SHAFT-TRUSS SUPPORT LONG	1
2	318925	WLDMT-CLEVIS MNT RH THREADED	1
3	318924	WLDMT-CLEVIS MNT LH THREADED	1
4	319237	NUT-JAM: 2.00 NF GR2 ZP	1



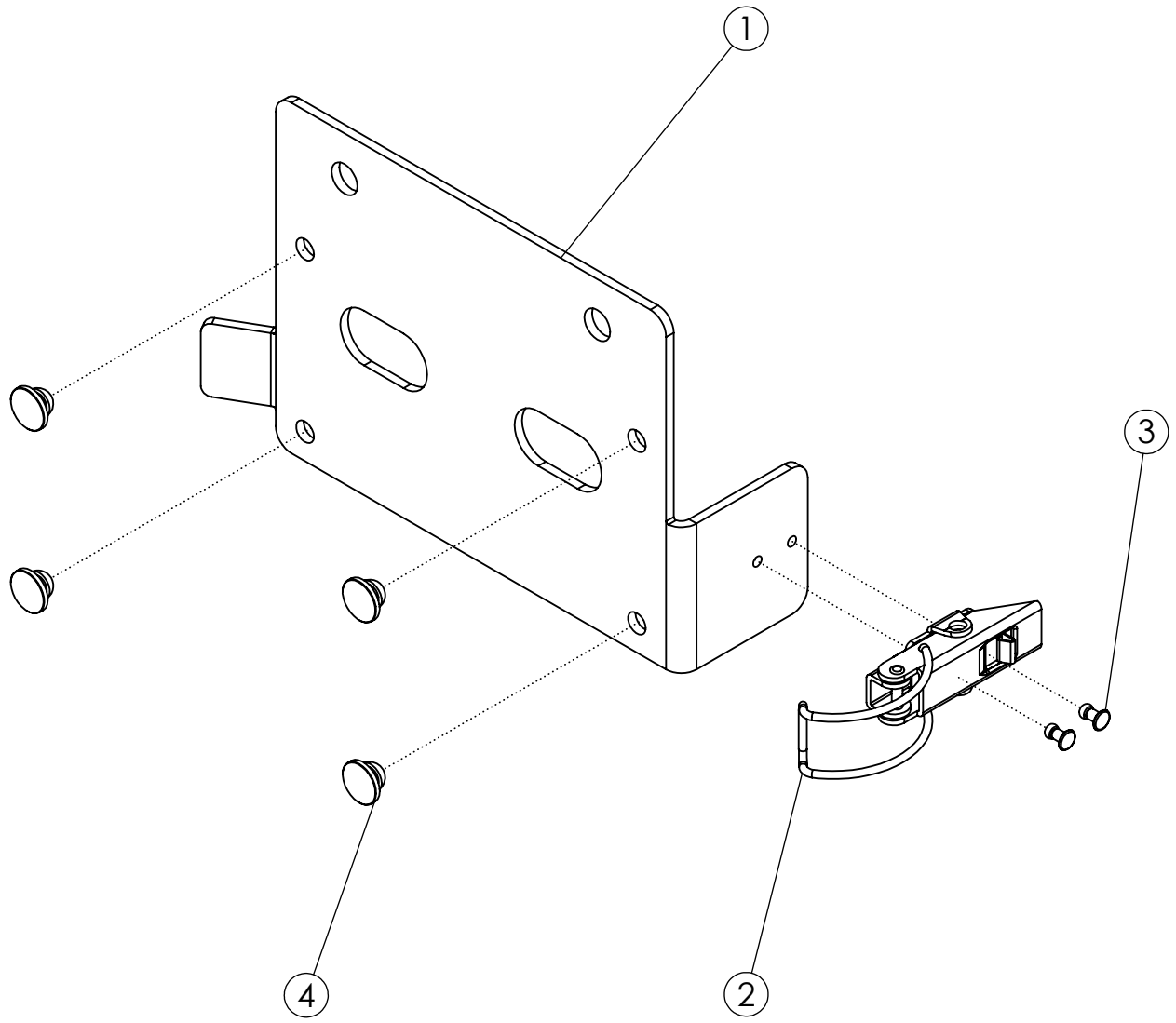
## MUDFLAPS

ITEM	PART NO.	DESCRIPTION	QTY
1	319200	RUBBER-FRONT MUDFLAP	1
2	319033	PLATE-MUDFLAP BRACKET	1
3	319199	RUBBER-REAR MUDFLAP	1
4	1011595	BOLT-HEX: .25 X .75 NC GR5 ZP	6
5	1020416	WASHER-FLAT: .25 ZP	6
6	303777	NUT-FLANGE: TOPLOCK .25 NC YZP	6
7	1011607	BOLT-HEX: .50 X 1.50 NC GR5 ZP	2
8	1011584	WASHER-FLAT: SAE .50 ZP	4
9	303774	NUT-FLANGE: TOPLOCK .50 NC YZP	4
10	1011608	BOLT-HEX: .50 X 1.75 NC GR5 ZP	2
11	319225	WLDMT-LIGHT BRACKET RH	1



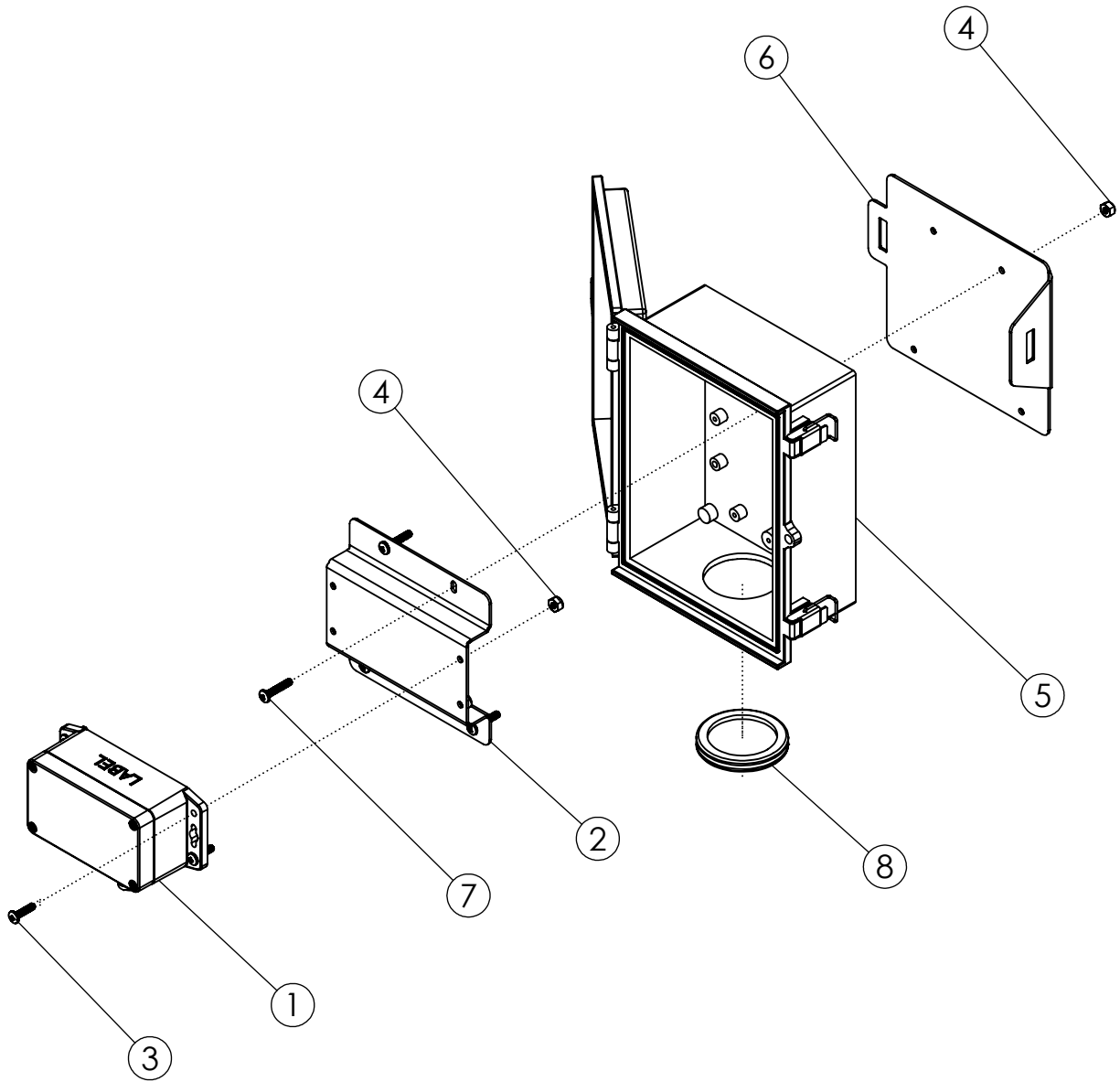
## SCALE SYSTEM (CAMSO)

ITEM	PART NO.	DESCRIPTION	QTY
1	318035	LOAD CELL-5.472SB-6IN EZ MATE 409661	2
2	319556	LOAD CELL-3.75SB-16FT EZ MATE 1078015-01	1
3	318037	J-BLOCK 6-PORT EZ MATE (TOPCON)	1
4	318038	CABLE-EZ MATE M/F 21FT	2
5	318045	CABLE-EZ MATE/AMP 12FT	1
6	319520	ASSY-ENCLOSED LIBRA BOX	1
7	319006	HARNESS-CC1000 LIBRA BOX POWER	1
8	310510	WLDMT-WEIGH TRONIX PINTLE	1
9	1032502	BOLT-HEX: 1.00 X 6.00 NC GR8 ZP	1
10	1030728	WASHER-FLAT: SAE 1.00 ZP GR8	4
11	1016969	NUT-TOPLOCK: 1.00 NC GR8 ZP	2
12	1018839	BOLT-HEX: 1.00 X 7.00 NC GR8 ZP	1
13	62617	NUT-NYLOCK: #8-32 GR2 ZP	3
14	62800	SCREW-R-H-SL: #8-32 X 1.25 ZP	3



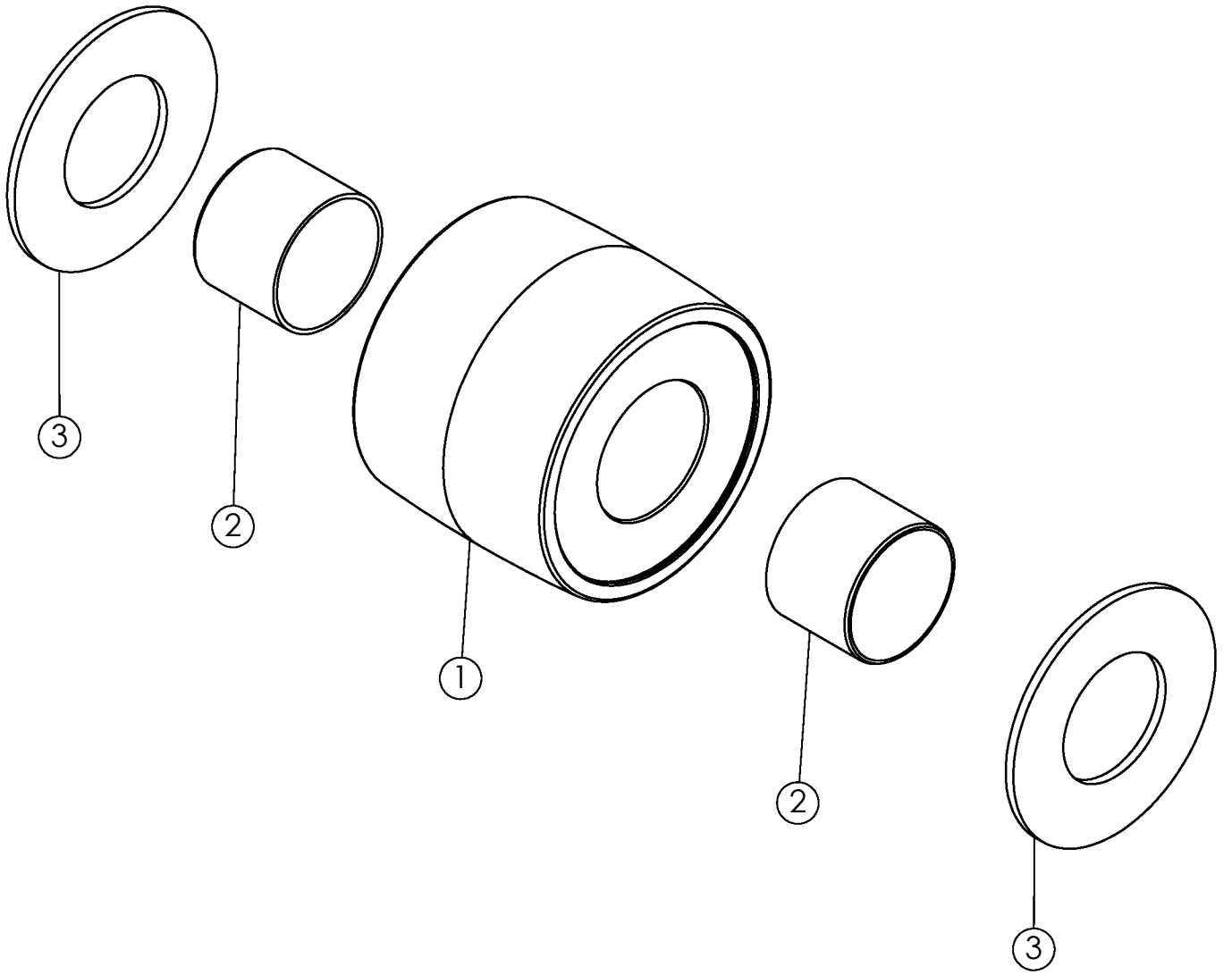
## LIBRA MOUNT ASSY

ITEM	PART NO.	DESCRIPTION	QTY
1	319573	PLATE-LATCH MOUNT	1
2	319515	LATCH-STRIKELESS DRAW W/ SAFETY CATCH ZP	1
3	59882	RIVET-POP: .13 X .31 ZP	2
4	319514	BUMPER-PUSH IN 1/4 HOLE X 1/8 THICK	4



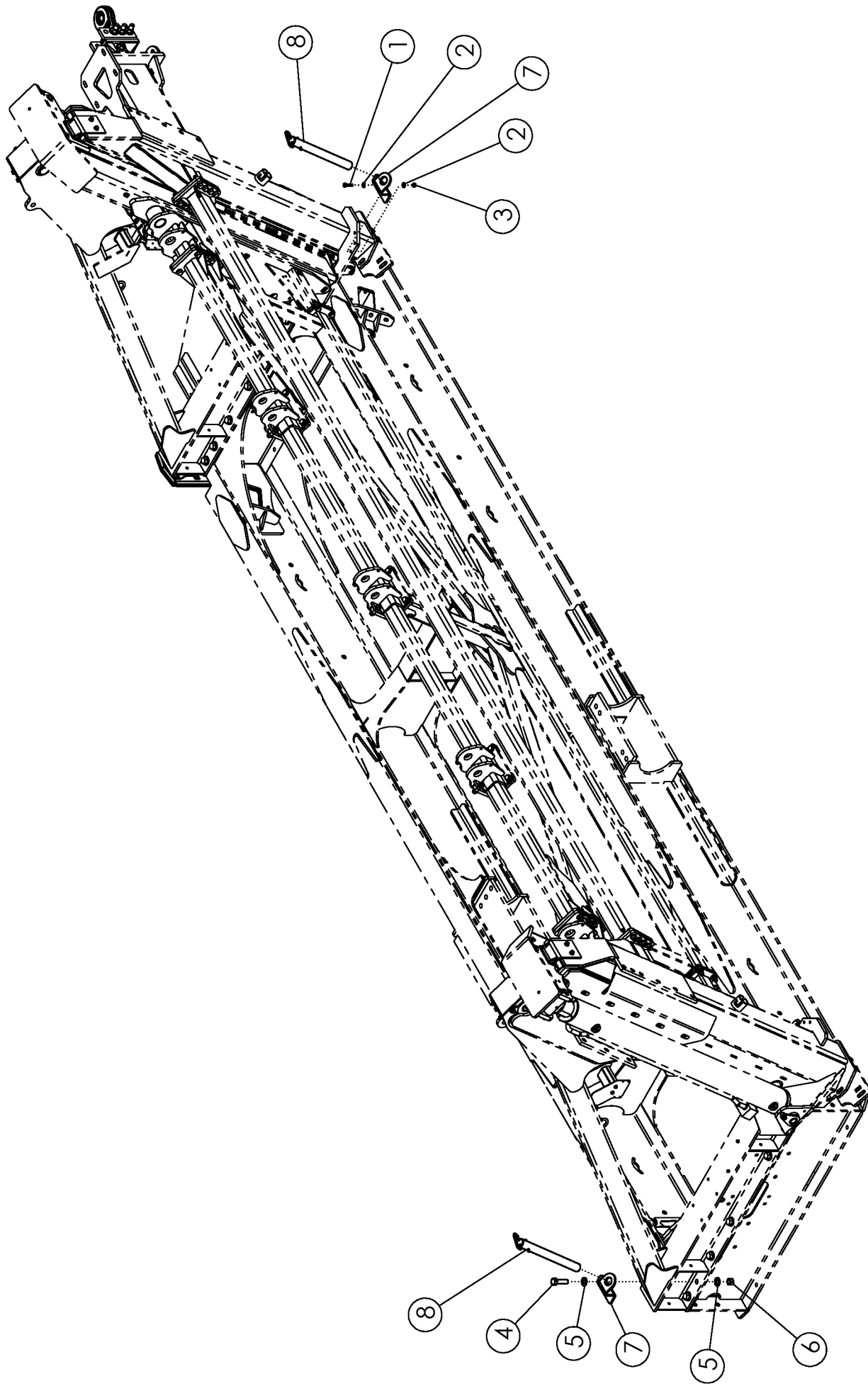
## ENCLOSED LIBRA BOX

ITEM	PART NO.	DESCRIPTION	QTY
1	316295	MODULE-LIBRA CART M0014 (12V POWER OPT)	1
2	319511	PLATE-LIBRA CASE MOUNT	1
3	1014728	SCREW-R-H-SL: #10-24 X .75 NC GR2	4
4	67079	NUT-NYLOCK: #10-24 NC GR2 ZP	8
5	319519	ASSY-MACHINED ENCLOSURE CC1000	1
6	319510	PLATE-LIBRA LATCHING BRACKET	1
7	67933	SCREW-P-H: #10-24 X 1.00 NC GR2 ZP	4
8	319202	GROMMET-RUBBER VARIABLE ID	1



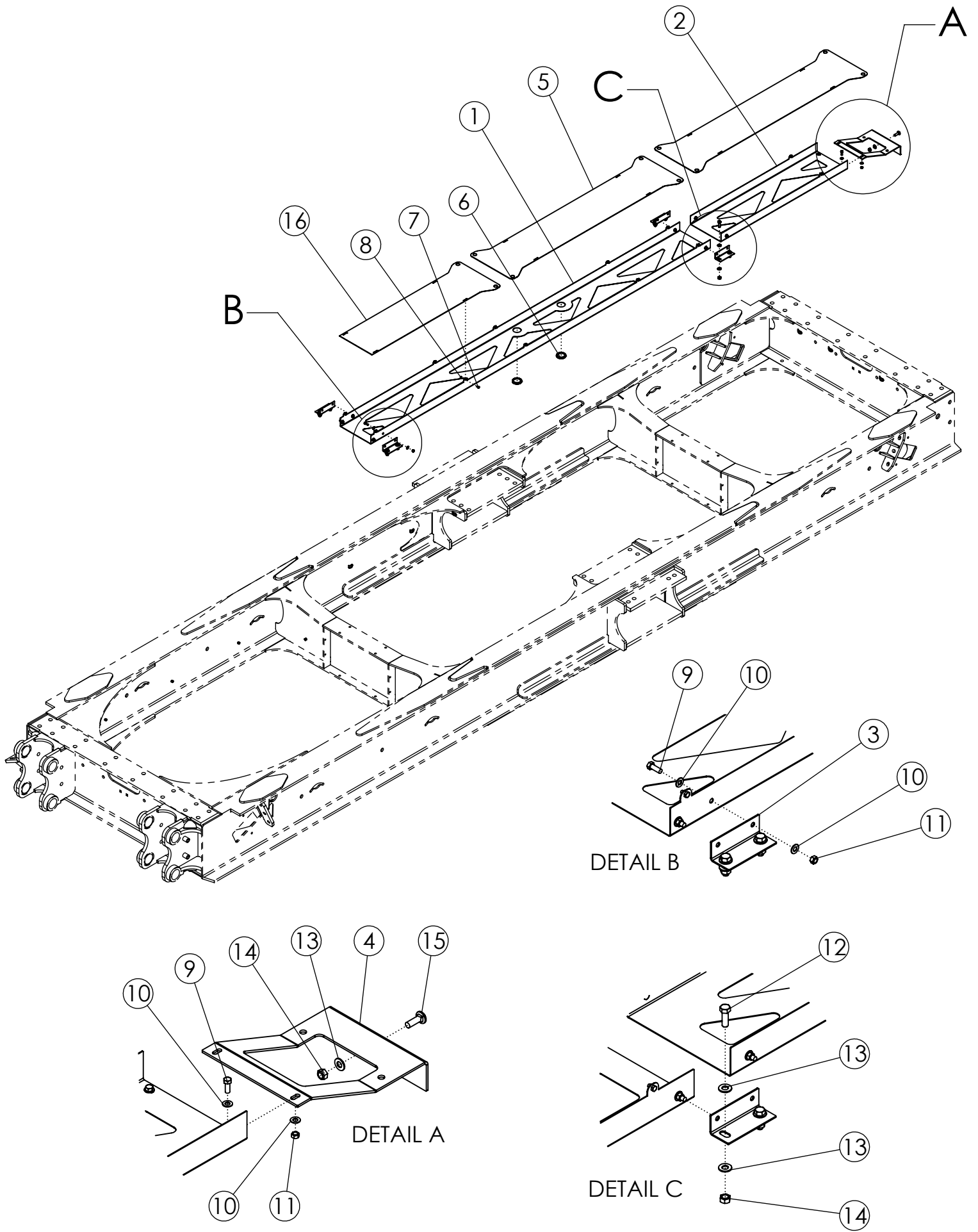
## LADDER FRAME ROLLER

ITEM	PART NO.	DESCRIPTION	QTY
1	319325	TUBE-LADDER FRAME ROLLER	1
2	319534	BUSHING-TX1 SLEEVE 2.5"IDX2.69"ODX2"L	2
3	319416	WASHER-ROLLER GUARD 2.5"	2



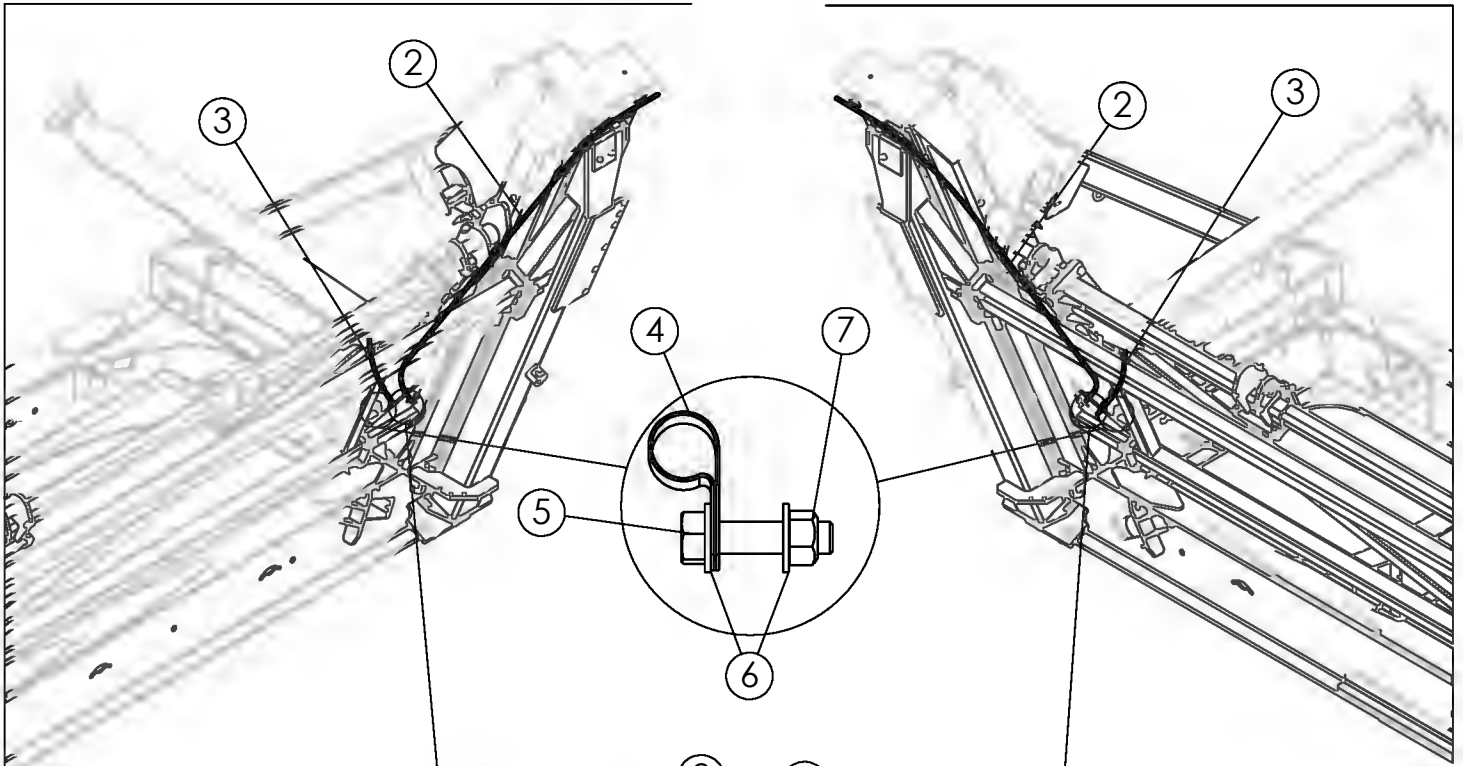
## SAFETY PINS

ITEM	PART NO.	DESCRIPTION	QTY
1	1011609	BOLT-HEX: .50 X 2.00 NC GR5 ZP	1
2	1011584	WASHER-FLAT: SAE .50 ZP	2
3	1027461	NUT-TOPLOCK: .50 NC GR5 ZP	1
4	1011626	BOLT-HEX: 1.00 X 3.50 NC GR5 ZP	1
5	1016663	WASHER-FLAT: SAE 1.00 ZP	2
6	1016969	NUT-TOPLOCK: 1.00 NC GR5 ZP	1
7	319204	PLATE-SAFETY PIN MOUNT	2
8	319249	ASSY-CC1000 SAFETY PIN	2



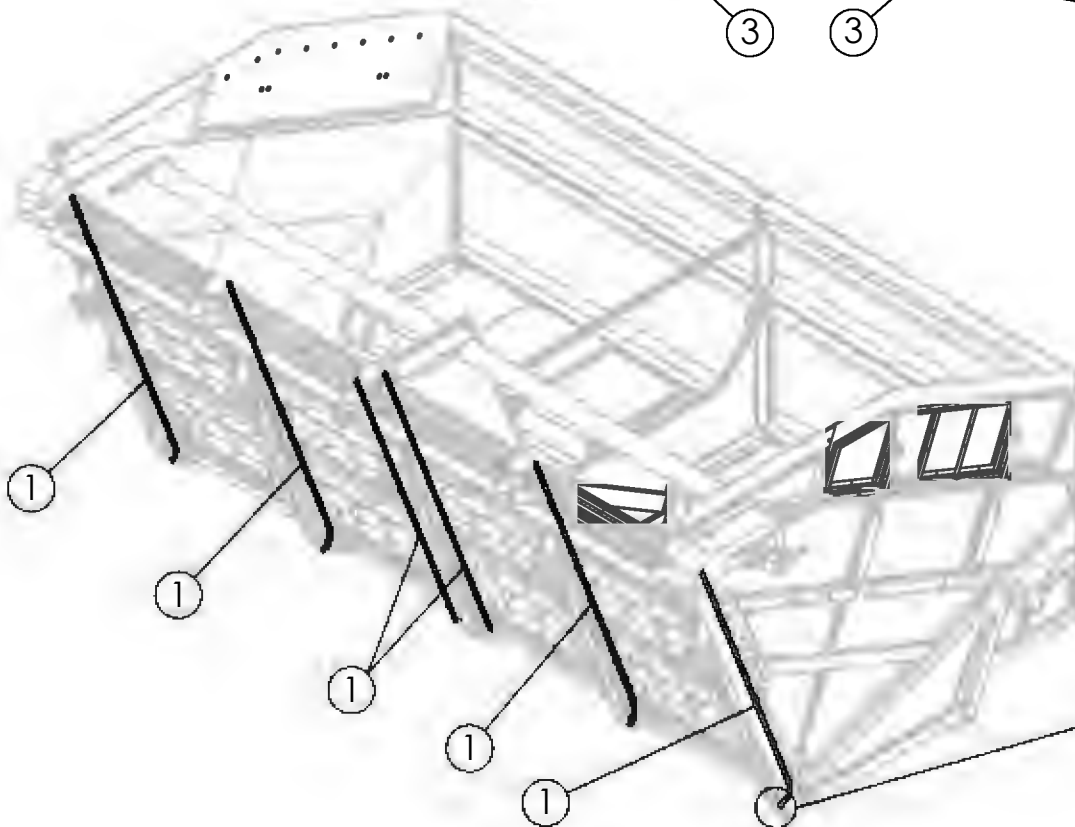
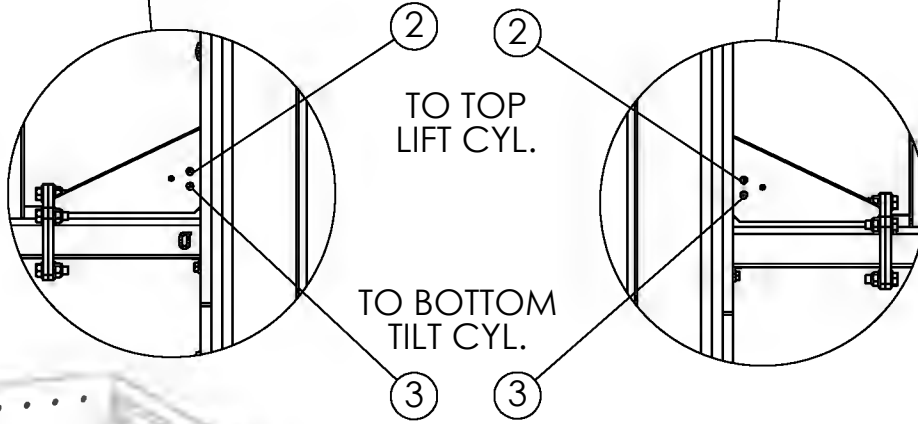
## HOSE TRAY

ITEM	PART NO.	DESCRIPTION	QTY
1	319212	PLATE-MIDDLE HOSE TRAY	1
2	319213	PLATE-BACK HOSE TRAY	1
3	319215	PLATE-HOSE TRAY MIDDLE MOUNT	4
4	319206	PLATE-HOSE TRAY END MOUNT	1
5	319214	PLATE-HOSE TRAY COVER	2
6	319202	GROMMET-RUBBER VARIABLE ID	2
7	1013243	BOLT-HEX: .25 X .50 NC GR5 ZP	12
8	1030946	NUT-TOPLOCK: .25 NC GR5 ZP	12
9	1011600	BOLT-HEX: .38 X 1.00 NC GR5 ZP	10
10	1014608	WASHER-FLAT: SAE .38 ZP	20
11	1016999	NUT-TOPLOCK: .38 NC GR5 ZP	10
12	1011607	BOLT-HEX: .50 X 1.50 NC GR5 ZP	8
13	1011584	WASHER-FLAT: SAE .50 ZP	18
14	1027461	NUT-TOPLOCK: .50 NC GR5 ZP	10
15	1011660	BOLT-CRG: .50 X 1.50 NC GR5 ZP	2
16	319537	PLATE-HOSE TRAY COVER SHORT	1

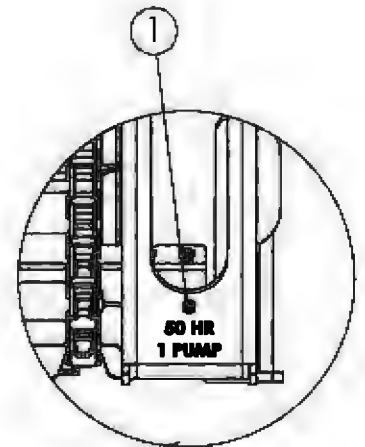


**FRONT**

**REAR**

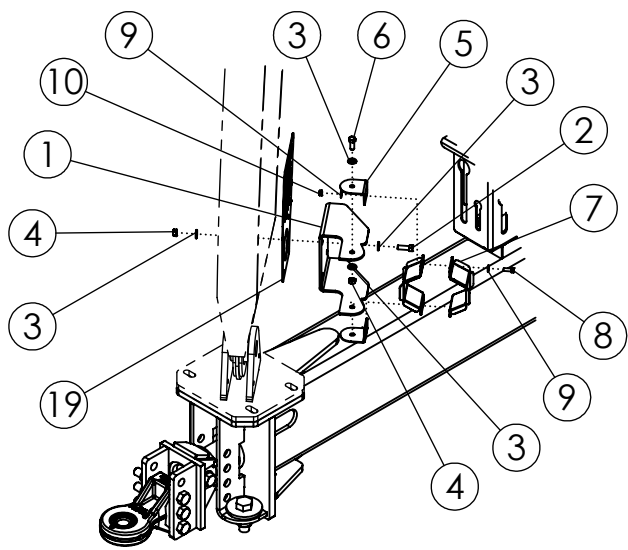


**TO UNLOAD WALL BEARINGS**

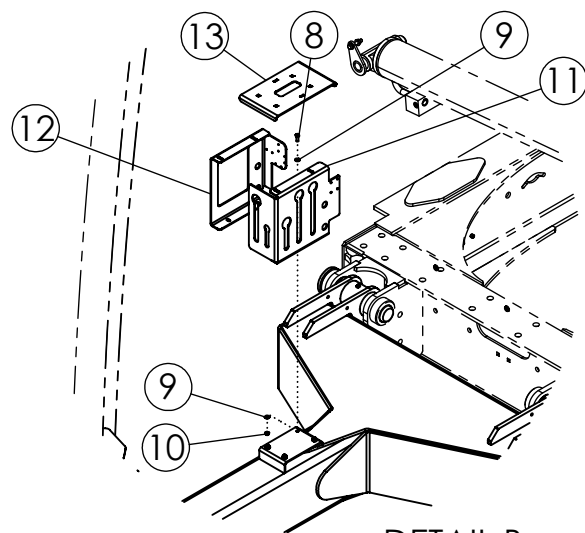


## GREASE LINES

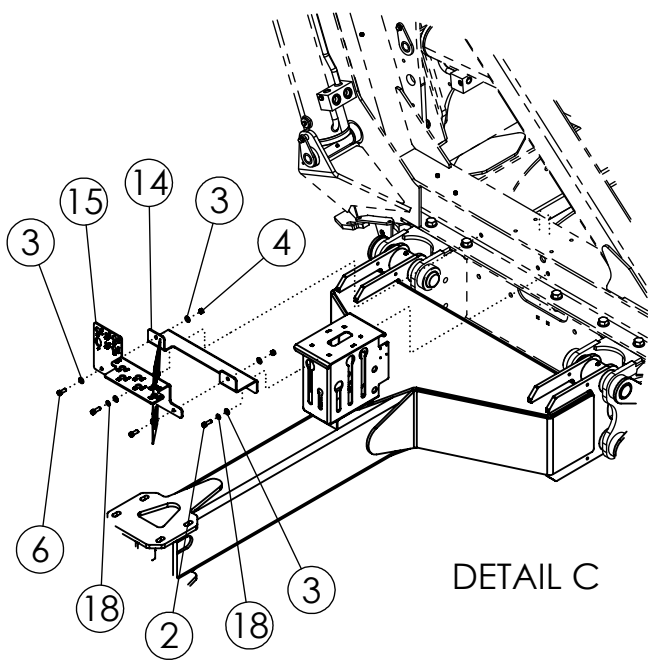
ITEM	PART NO.	DESCRIPTION	QTY
1	318771	GREASE LINE: .31 X 114 45 DEG	6
2	318772	GREASE LINE: .31 X 142 90 DEG	2
3	318776	GREASE LINE: .31 X 038 00 DEG	2
4	303423	P-CLIP: .50 X 1.00	2
5	1011609	BOLT-HEX: .50 X 2.50 NC GR5 ZP	2
6	1011584	WASHER-FLAT: SAE .50 ZP	4
7	1027461	NUT-TOPLOCK: .50 NC GR5 ZP	2



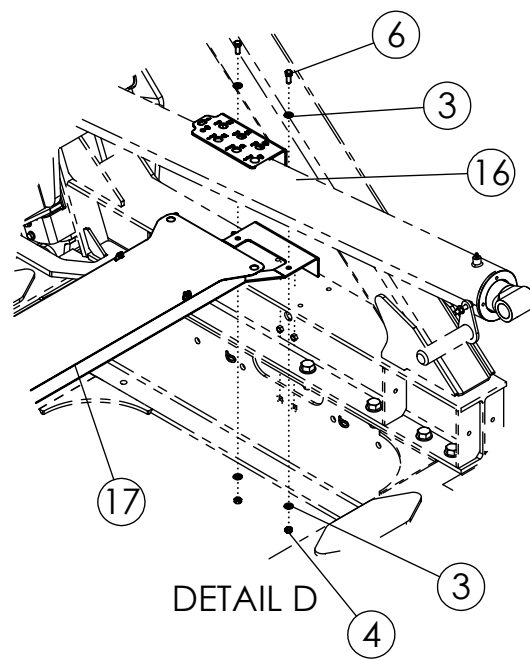
DETAIL A



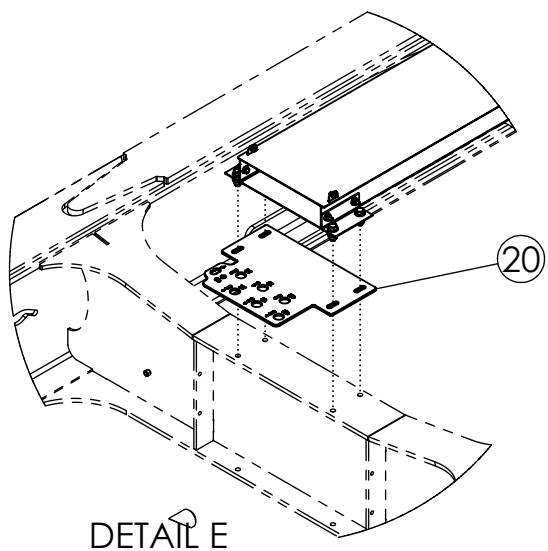
DETAIL B



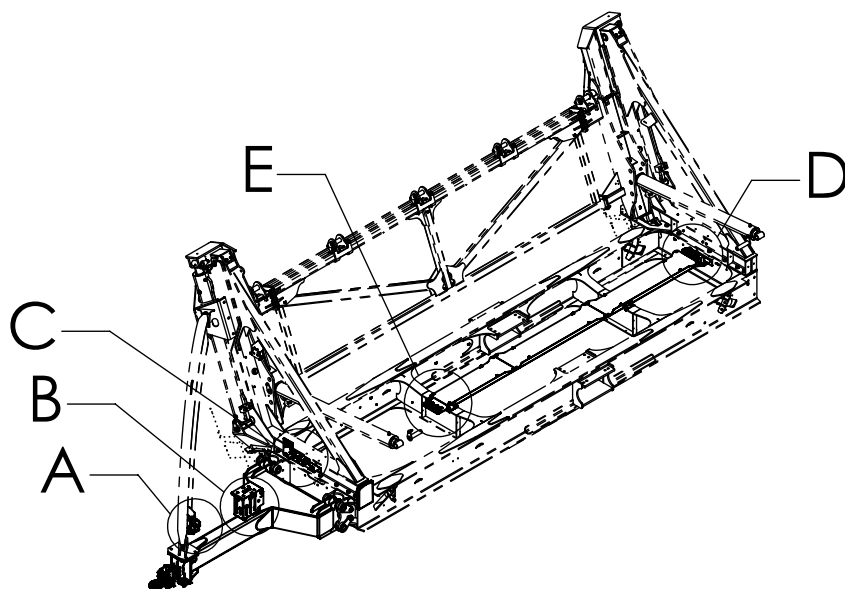
DETAIL C



DETAIL D

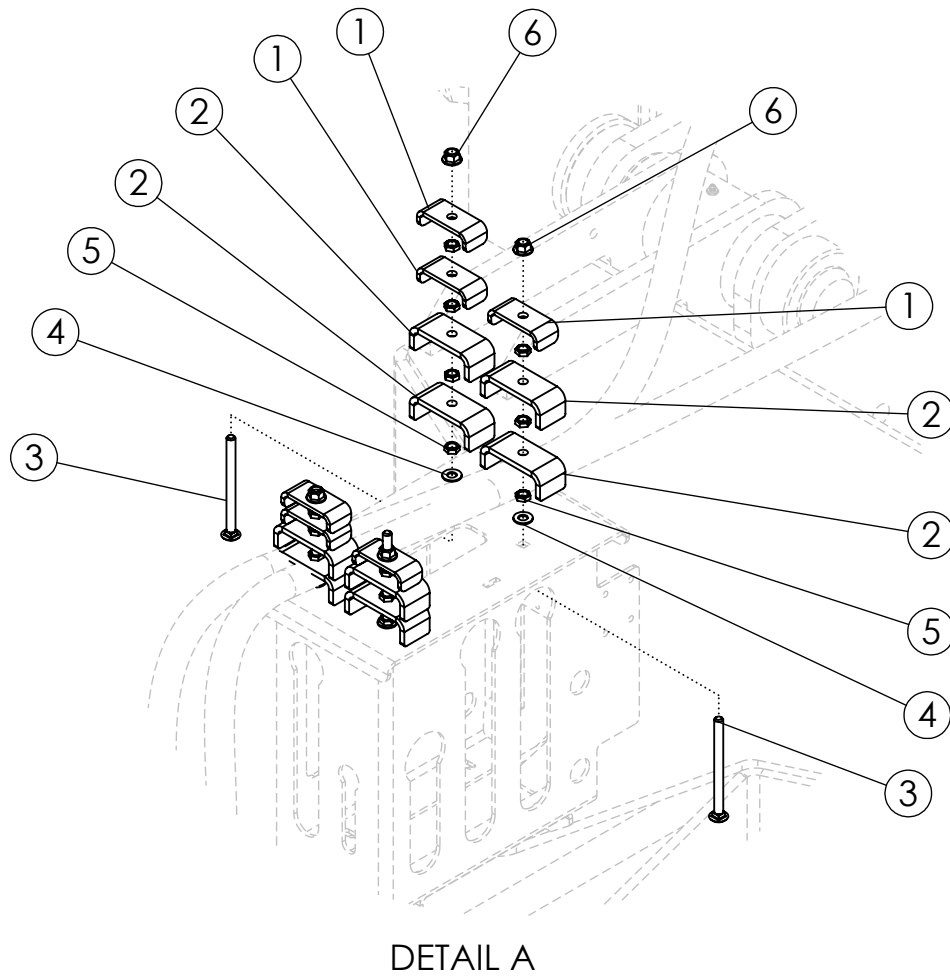
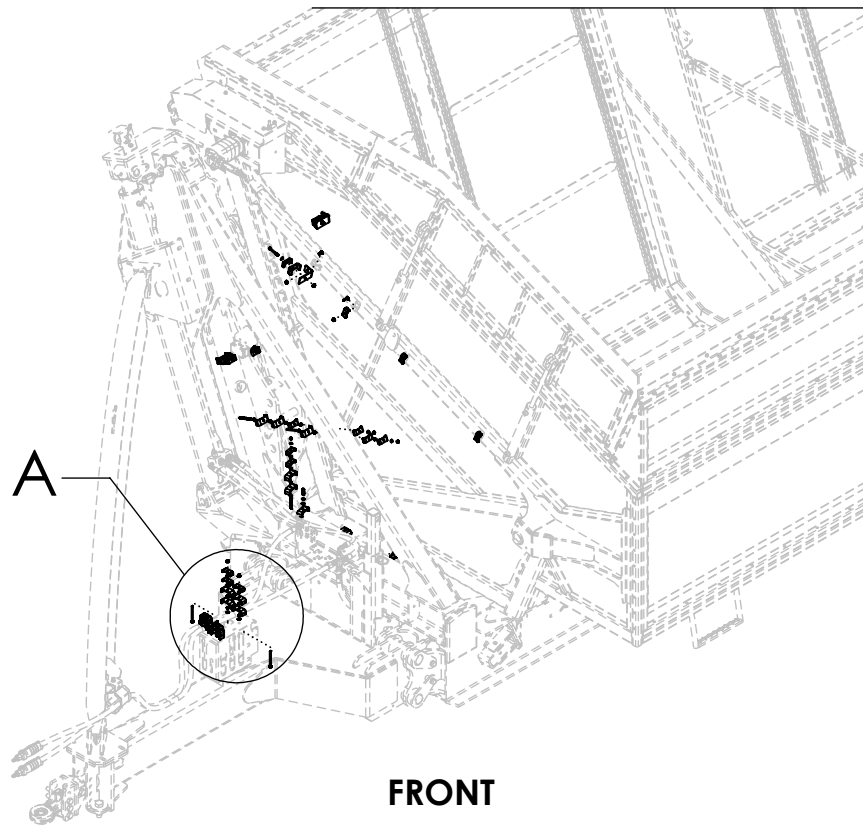


DETAIL E



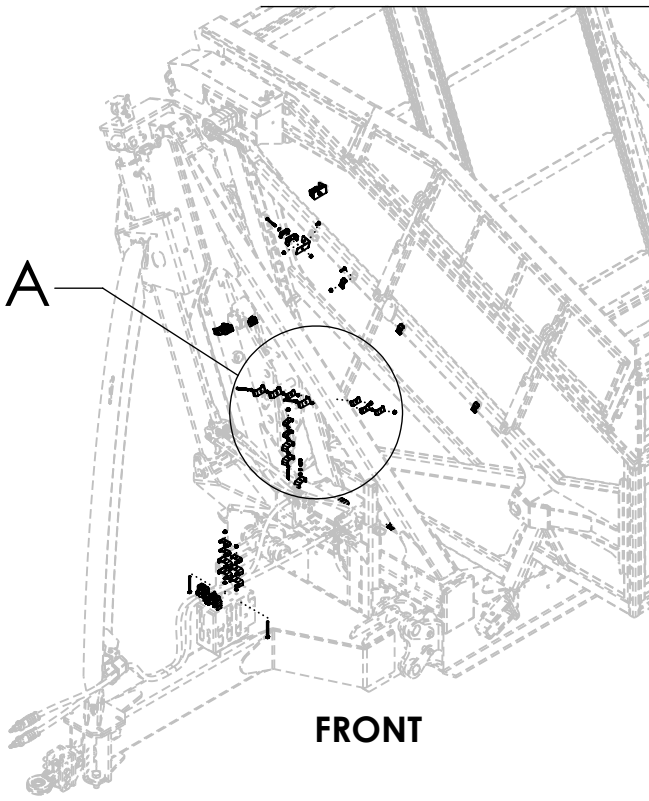
## HYDRAULIC MOUNTING

ITEM	PART NO.	DESCRIPTION	QTY
1	319178	PLATE-HOSE CLAMP MOUNT	1
2	1011607	BOLT-HEX: .50 X 1.50 NC GR5 ZP	6
3	1011584	WASHER-FLAT: SAE .50 ZP	22
4	1027461	NUT-TOPLOCK: .50 NC GR5 ZP	10
5	319177	PLATE-HOSE CLAMP BRACKET	2
6	1011606	BOLT-HEX: .50 X 1.25 NC GR5 ZP	6
7	319176	PLATE-HYDRAULIC HOSE CLAMP	2
8	1011600	BOLT-HEX: .38 X 1.00 NC GR5 ZP	6
9	1014608	WASHER-FLAT: SAE .38 ZP	12
10	1016999	NUT-TOPLOCK: .38 NC GR5 ZP	6
11	319574	PLATE-HOSE HOLDER HANDLES (24-CURR)	1
12	319343	PLATE-HOSE HOLDER JUNCTION	1
13	318711	PLATE-HOSE CLAMP BLK	1
14	319186	PLATE-BULKHEAD FRAME MOUNT	1
15	319187	PLATE-FRAME BULKHEAD FRONT	1
16	319188	PLATE-FRAME BULKHEAD REAR	1
17	319205	ASSY-HYD HOSE TRAY	1
18	1011581	WASHER-LOCK: .50 ZP	2
19	319500	PLATE-SS CC1000 HOSE CHART	1
20	319547	PLATE-FRAME BULKHEAD MIDDLE	1

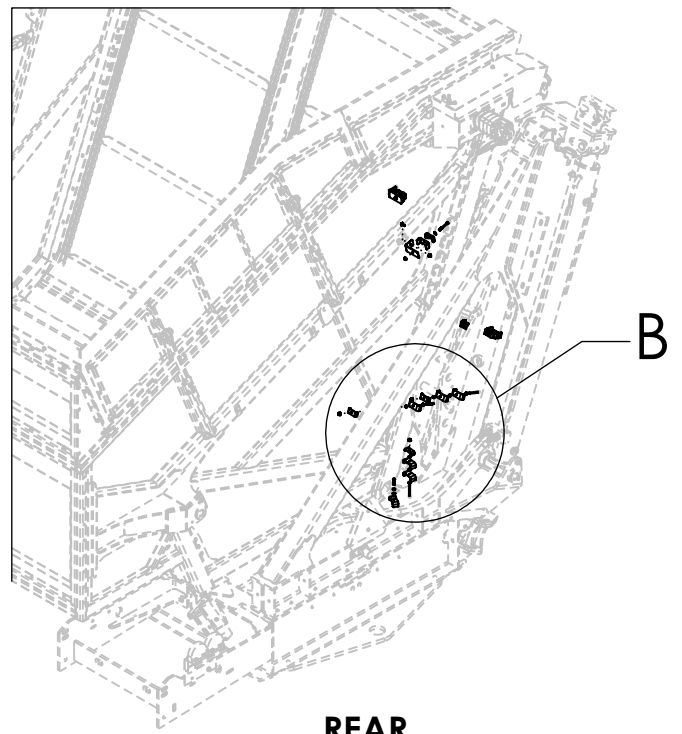


## HOSE CLAMPS (HITCH)

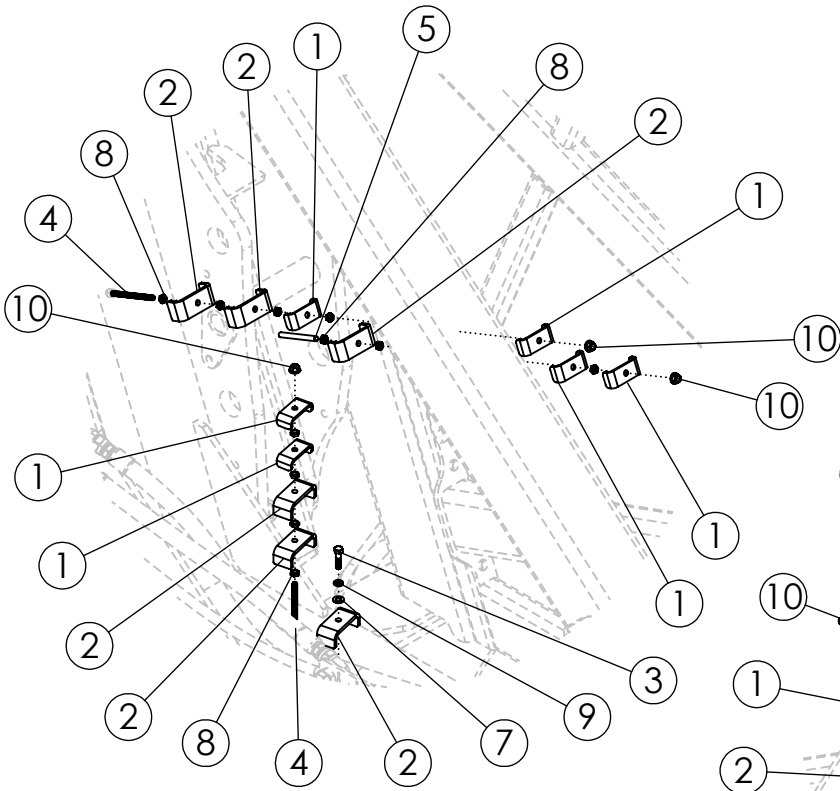
ITEM	PART NO.	DESCRIPTION	QTY
1	50714	CLAMP 1/2" ZP	6
2	63753	CLAMP-HOSE: .75 ZP	8
3	1030884	BOLT-CRG: .38 X 5.00 FULL THREAD GR2	4
4	1014608	WASHER-FLAT: SAE .38 ZP	4
5	1013519	NUT-JAM: .38 NC GR2 ZP	14
6	303731	NUT-FLANGE: TOPLOCK .38 NC YZP	4



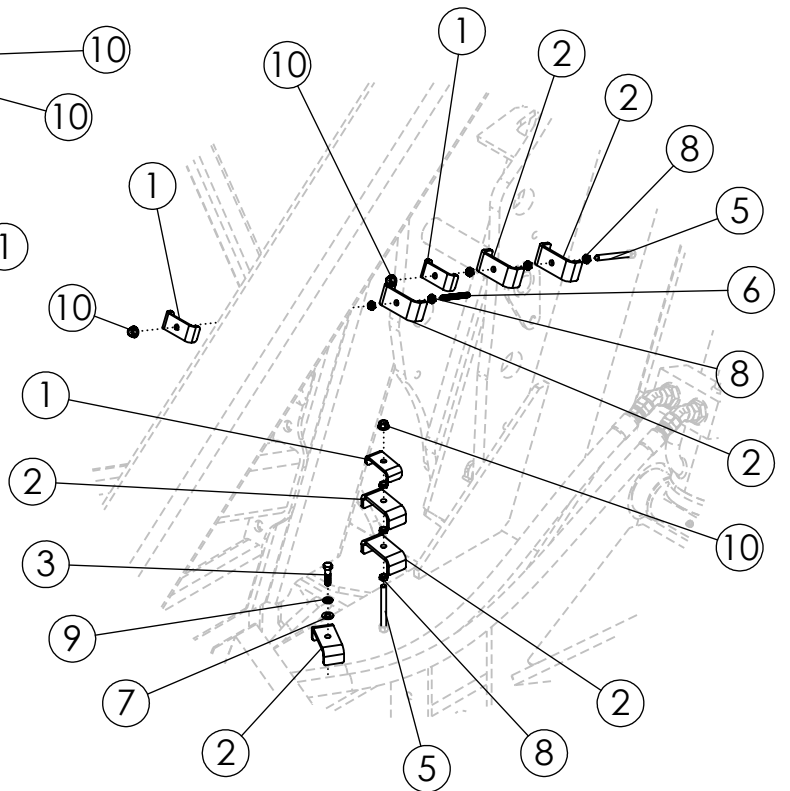
FRONT



REAR



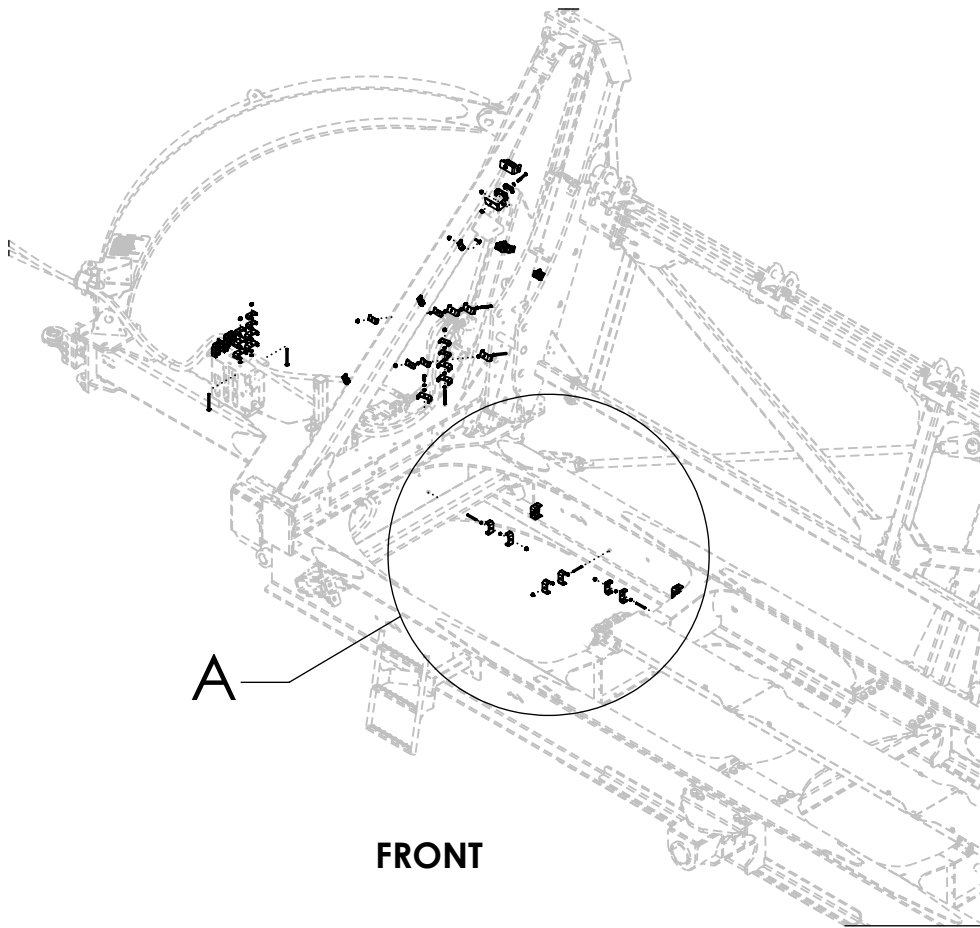
DETAIL A



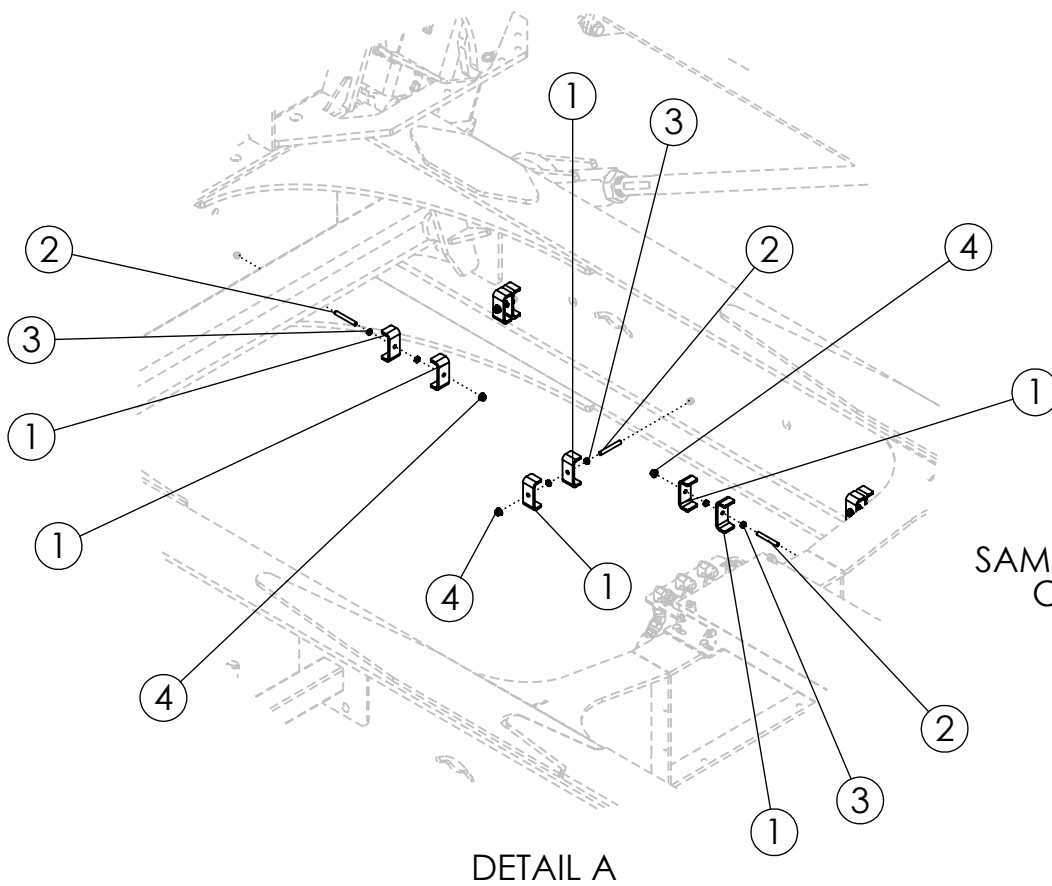
DETAIL B

## HOSE CLAMPS (TRIANGLE/LADDER FRAME)

ITEM	PART NO.	DESCRIPTION	QTY
1	50714	CLAMP 1/2" ZP	15
2	63753	CLAMP-HOSE: .75 ZP	18
3	1011602	BOLT-HEX: .38 X 1.50 NC GR5 ZP	2
4	1019993	STUD-.375 X 5.00 UNC ZP	3
5	305042	STUD-.375 X 4.00 UNC ZP	5
6	65379	STUD-.375 X 3.00 UNC ZP	2
7	1014608	WASHER-FLAT: SAE .38 ZP	2
8	1013519	NUT-JAM: .38 NC GR2 ZP	31
9	1011586	WASHER-LOCK: .38 ZP	2
10	303731	NUT-FLANGE: TOPLOCK .38 NC YZP	10



FRONT

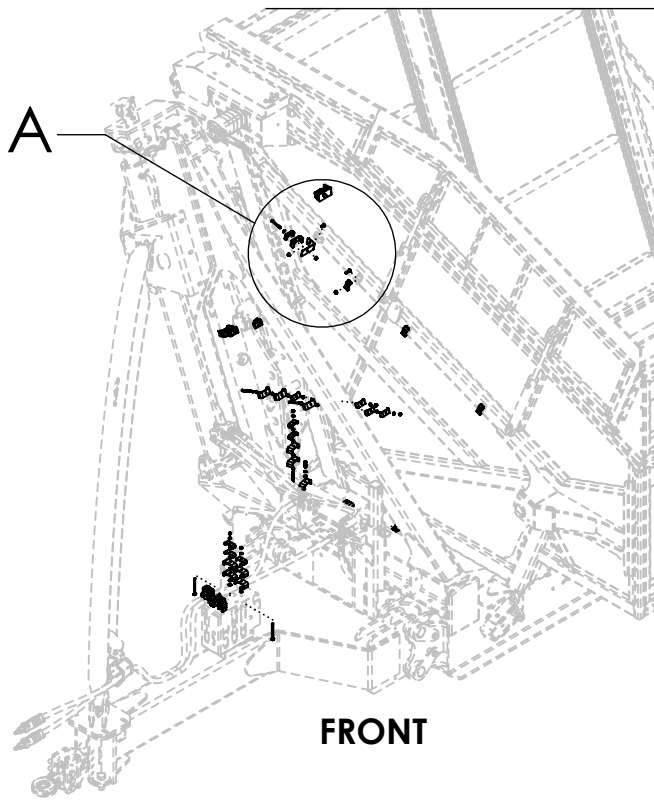


SAME PARTS USED  
ON LH SIDE

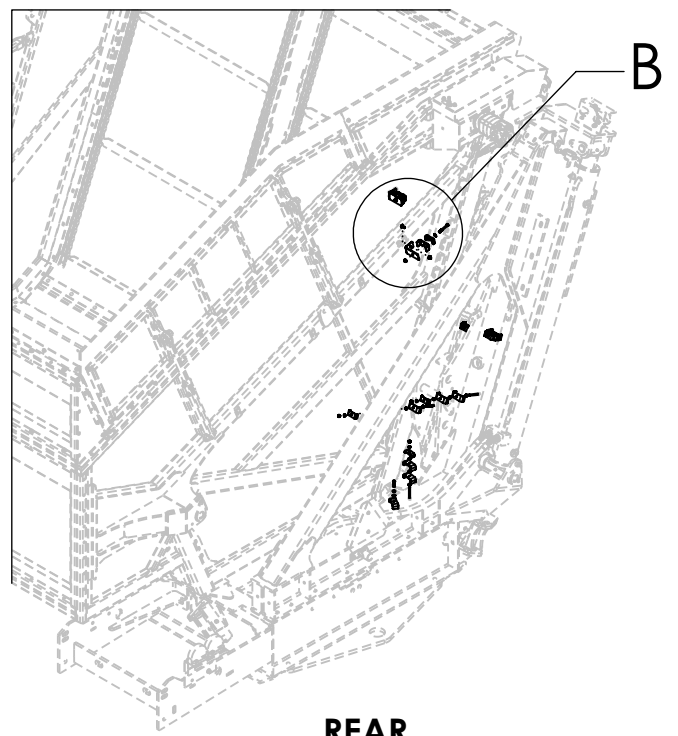
DETAIL A

## HOSE CLAMPS (MAINFRAME)

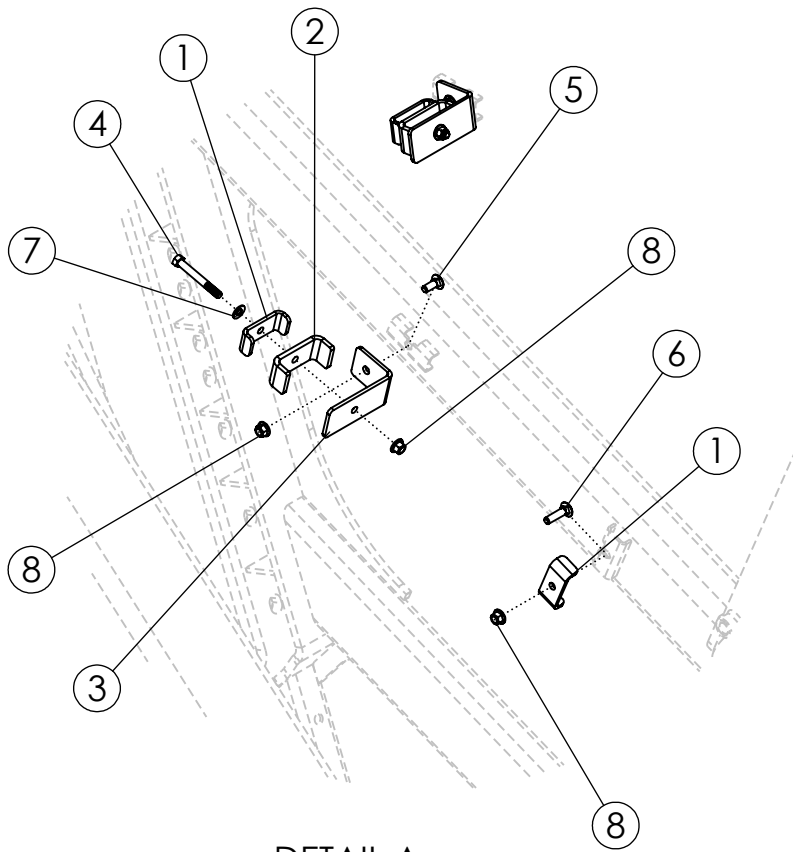
ITEM	PART NO.	DESCRIPTION	QTY
1	63753	CLAMP-HOSE: .75 ZP	20
2	65379	STUD-.375 X 3.00 UNC ZP	10
3	1013519	NUT-JAM: .38 NC GR2 ZP	20
4	303731	NUT-FLANGE: TOPLOCK .38 NC YZP	10



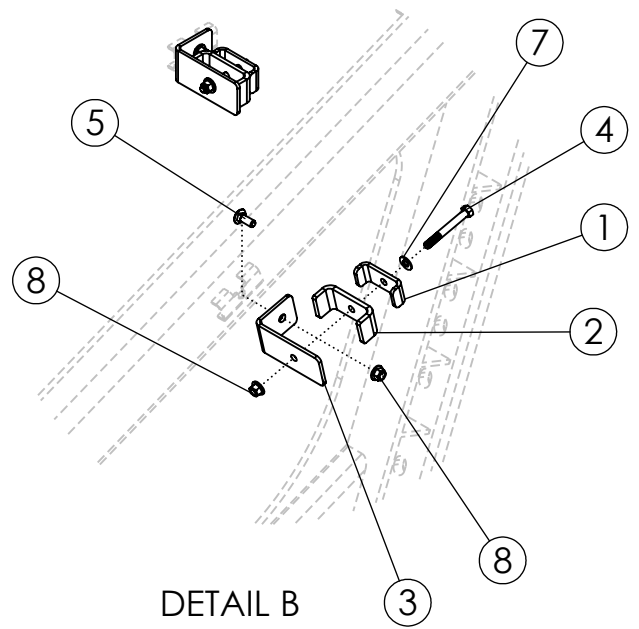
FRONT



REAR



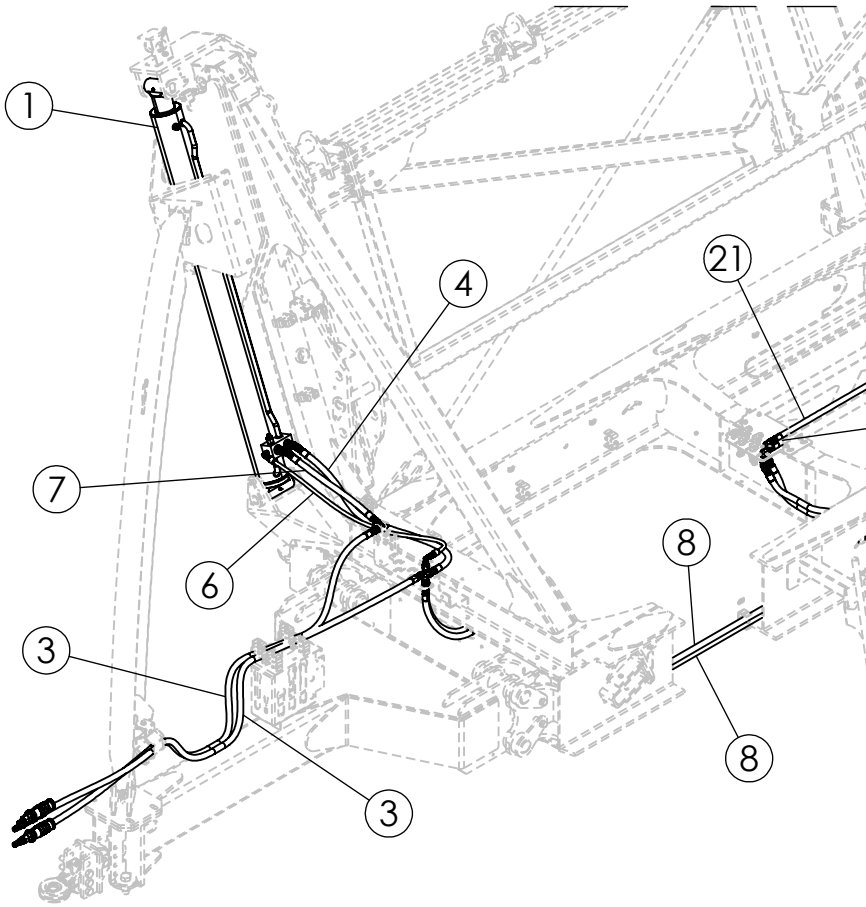
DETAIL A



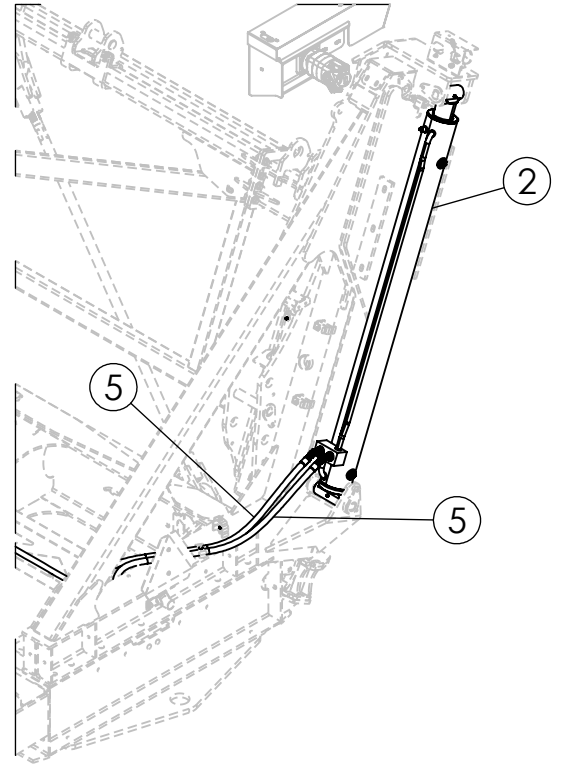
DETAIL B

## HOSE CLAMPS (TANK)

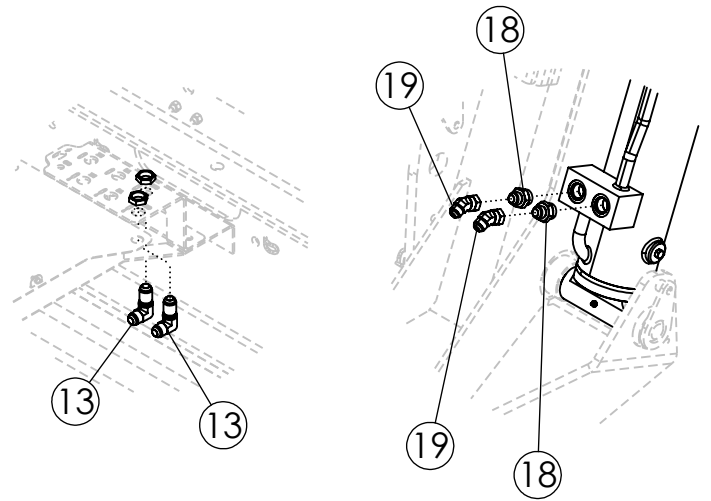
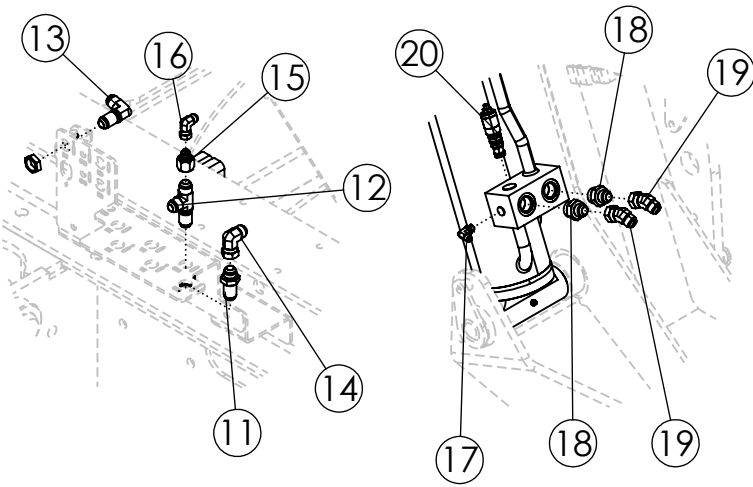
ITEM	PART NO.	DESCRIPTION	QTY
1	50714	CLAMP 1/2" ZP	7
2	63753	CLAMP-HOSE: .75 ZP	4
3	319217	PLATE-MOTOR HOSE BRACKET	4
4	1013239	BOLT-HEX: .38 X 3.00 NC GR5 ZP	4
5	59488	BOLT-CRG: .38 X 1.00 NC GR5 ZP	4
6	58679	BOLT-CRG: .38 X 1.50 NC GR5 ZP	3
7	1014608	WASHER-FLAT: SAE .38 ZP	4
8	303731	NUT-FLANGE: TOPLOCK .38 NC YZP	11



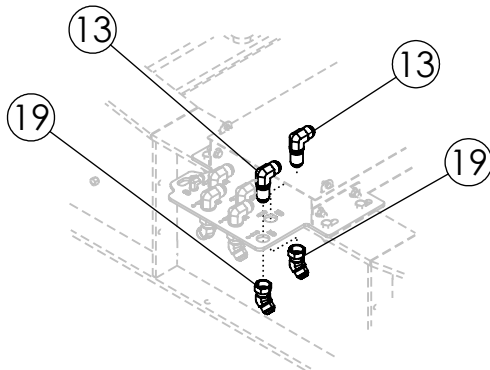
**FRONT**



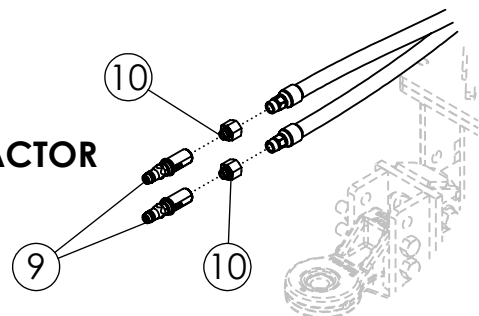
**REAR**



**MIDDLE**

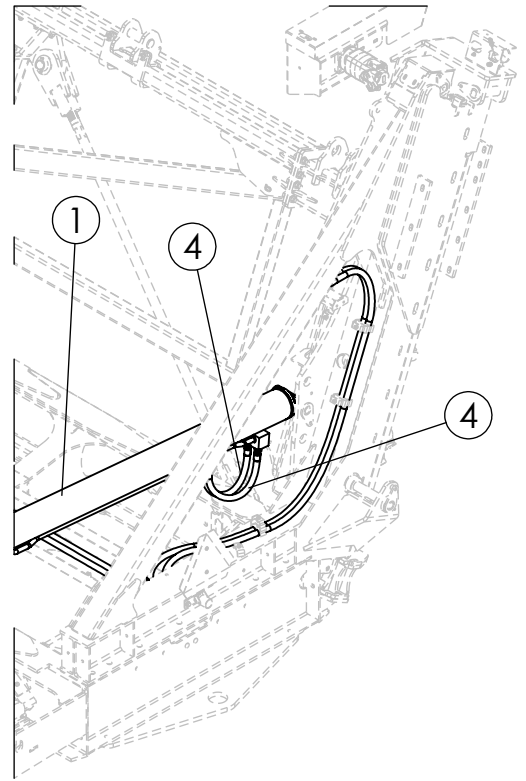
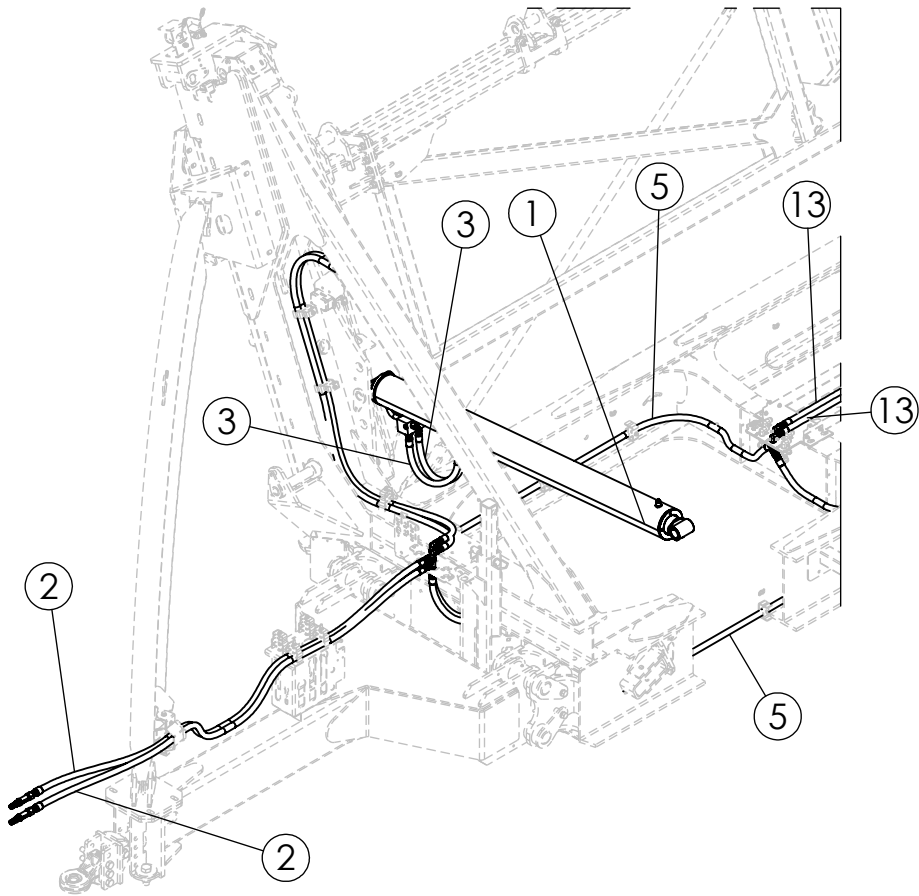


**TO TRACTOR**



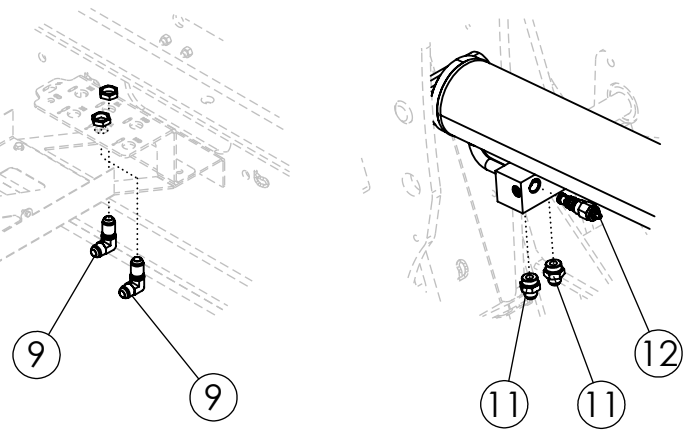
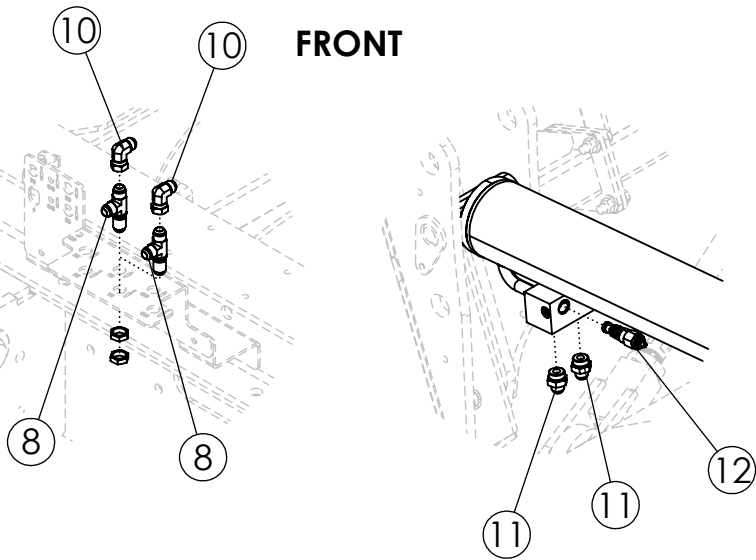
## LIFT CYLINDER HYDRAULICS

ITEM	PART NO.	DESCRIPTION	QTY
1	318001	CYL-HYDRAULIC 7.00 X 72 REPHASE	1
2	318002	CYL-HYDRAULIC 5.75 X 72 REPHASE	1
3	318815	HOSE: .75 X 180 12MB-12FJX	2
4	318816	HOSE: .75 X 060 12FJX-12FJX	1
5	318817	HOSE: .75 X 061 12FJX-12FJX	2
6	318818	HOSE: .38 X 056 6FJX-8FJX	1
7	318836	HOSE: .75 X 026 12FJX-12FJX	1
8	304072	HOSE: .75 X 168 12FJX-12FJX	2
9	304188	ASSY-TRACTOR HYD COUPLERS (GREEN)	1
10	319333	FTG-ADAPTER: 8MB-12FB	2
11	332918	FTG-BULKHEAD: 12MJ-12MJ	1
12	319336	FTG-BULKHEAD: 12MJ-12MJ-12MJ	1
13	319337	FTG-BULKHEAD: 12MJ-12MJ-90	5
14	59041	FTG-ELBOW: 12MJ-12FJX-90	1
15	66943	FTG-ADAPTER: 12FJ-8MJ	1
16	57668	FTG-ELBOW: 8MJ-8FJX-90	1
17	57754	FTG-ELBOW: 6MB-6MJ-90	1
18	58982	FTG-ADAPTER: 16MB-12MJ	4
19	62014	FTG-ELBOW: 12MJ-12FJX-45	6
20	316031	COUNTERBALANCE VALVE CARTRIDGE-4:1 3045PSI	1
21	304066	HOSE: .75 X 188 12FJX-12FJX	2



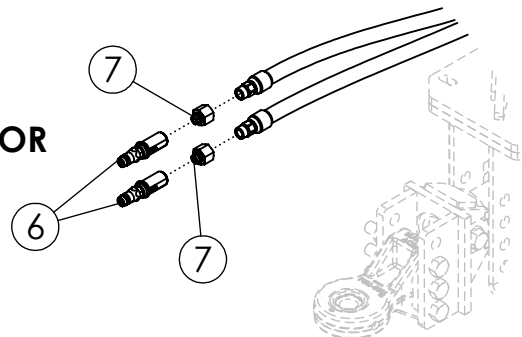
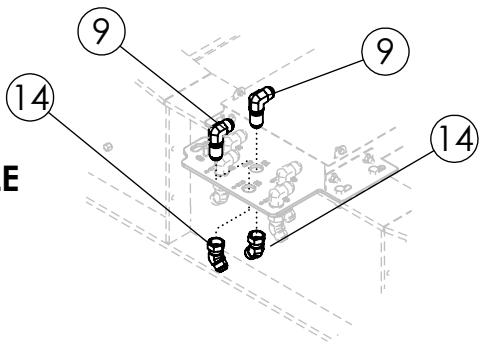
**FRONT**

**REAR**



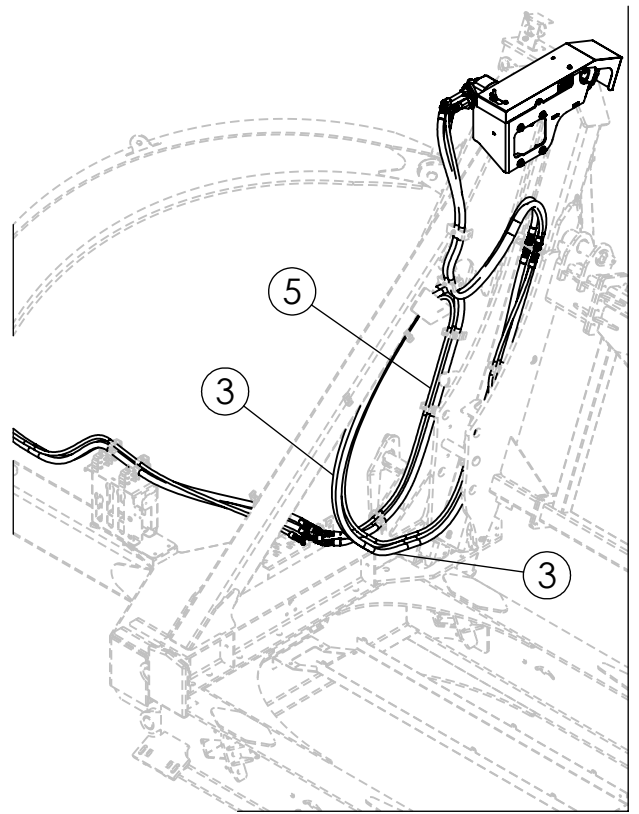
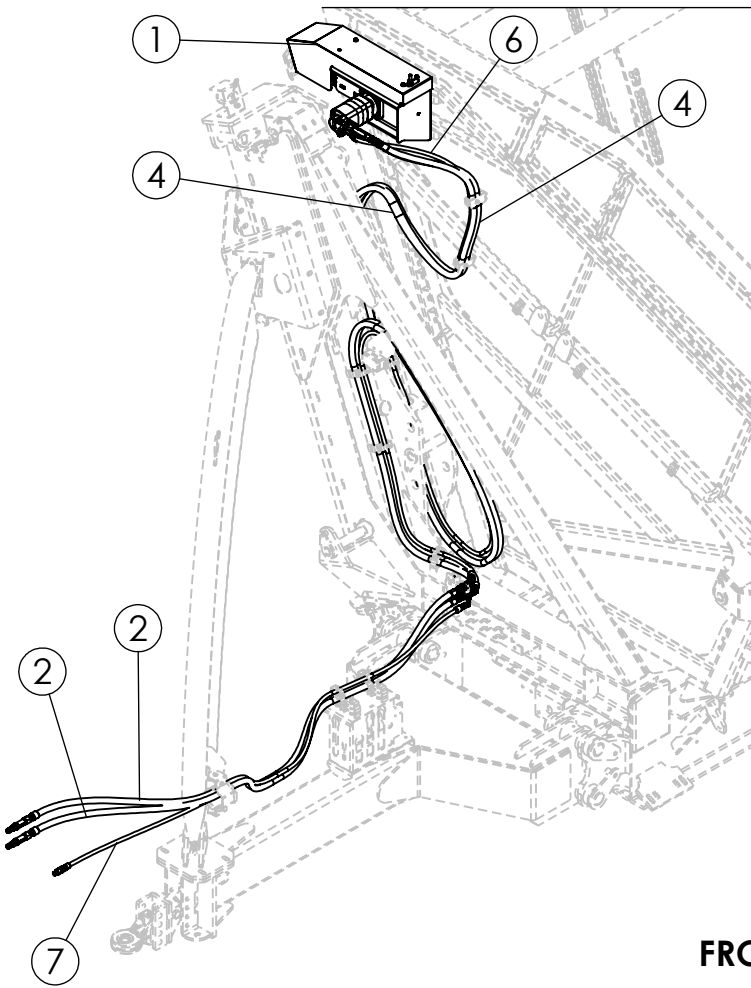
**MIDDLE**

**TO TRACTOR**

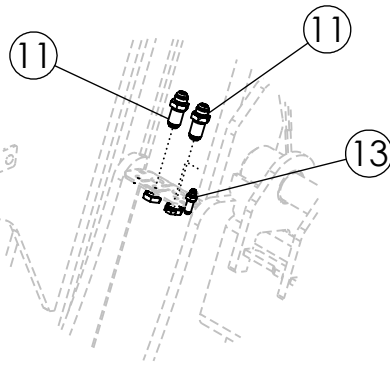
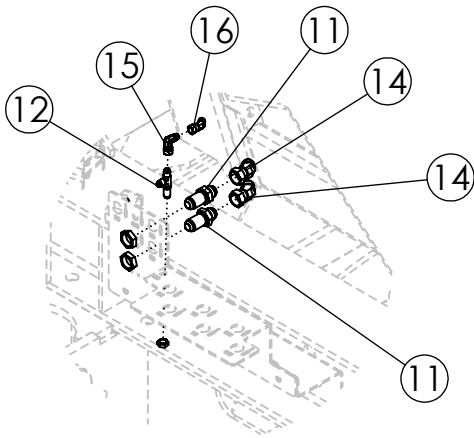


## TILT CYLINDER HYDRAULICS

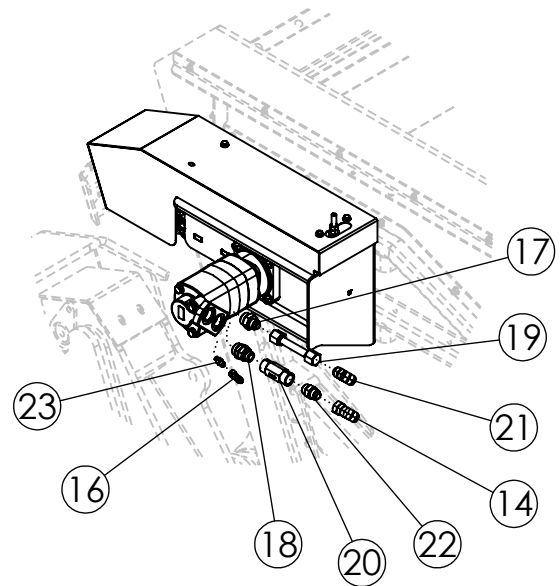
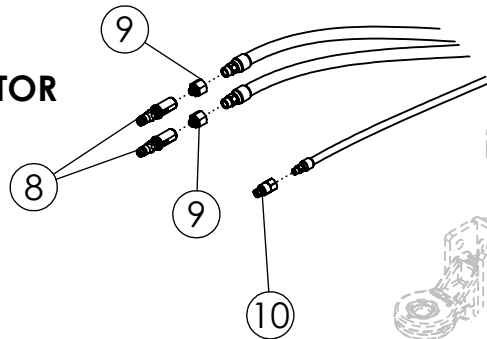
ITEM	PART NO.	DESCRIPTION	QTY
1	318003	CYL-HYDRAULIC 6.00 X 72	2
2	318815	HOSE: .75 X 180 12MB-12FJX	2
3	318819	HOSE: .75 X 180 12FJX-12FJX	2
4	318820	HOSE: .75 X 204 12FJX-12FJX	2
5	304072	HOSE: .75 X 168 12FJX-12FJX	2
6	304189	ASSY-TRACTOR HYD COUPLERS (GOLD)	1
7	319333	FTG-ADAPTER: 8MB-12FB	2
8	319336	FTG-BULKHEAD: 12MJ-12MJ-12MJ	2
9	319337	FTG-BULKHEAD: 12MJ-12MJ-90	4
10	59041	FTG-ELBOW: 12MJ-12FJX-90	2
11	58982	FTG-ADAPTER: 16MB-12MJ	4
12	316031	COUNTERBALANCE VALVE CARTRIDGE-4:1 3045PSI	2
13	304066	HOSE: .75 X 188 12FJX-12FJX	2
14	62014	FTG-ELBOW: 12MJ-12FJX-45	2



**FRONT**

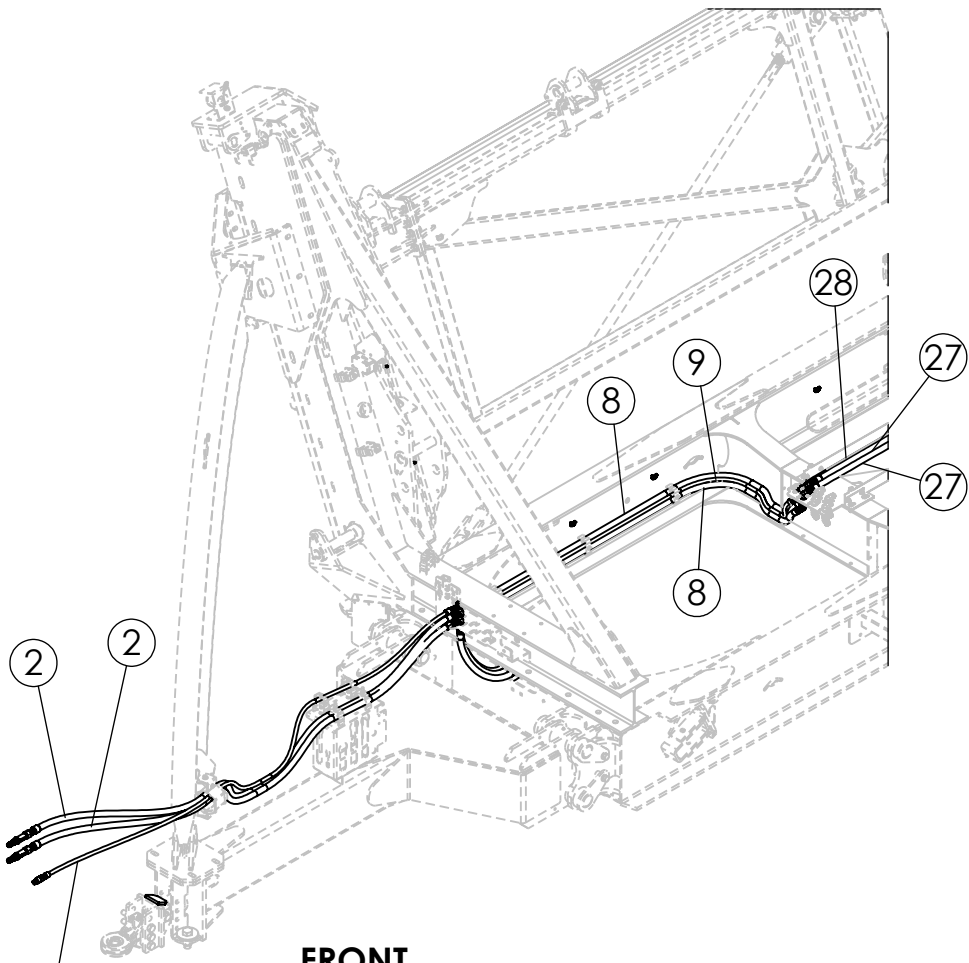


**TO TRACTOR**

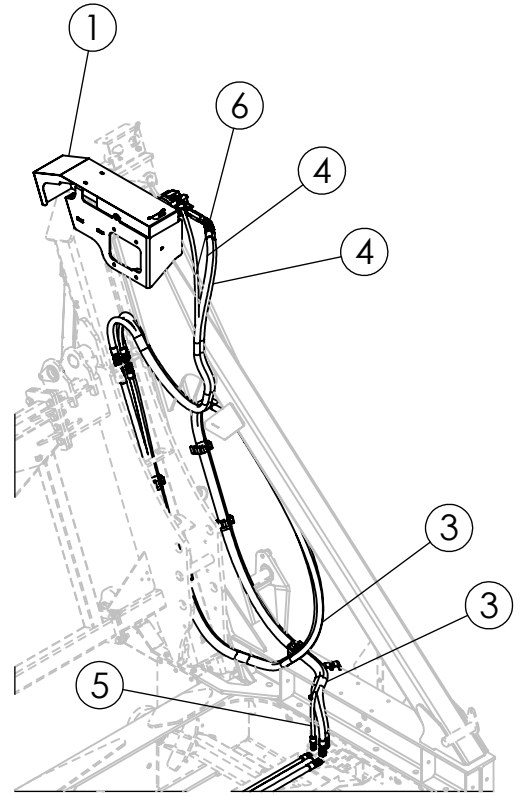


## FRONT MOTOR HYDRAULICS

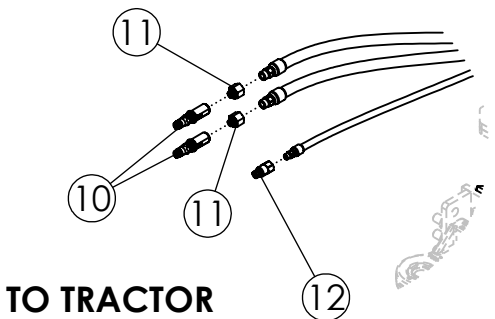
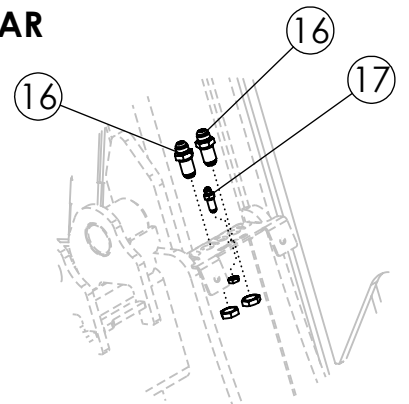
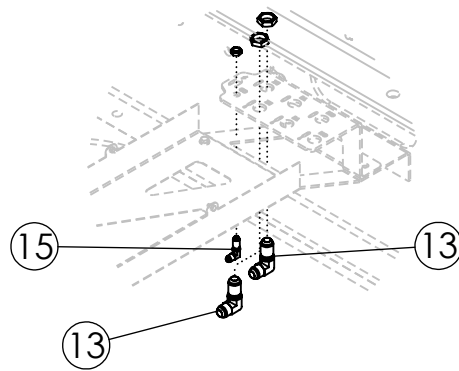
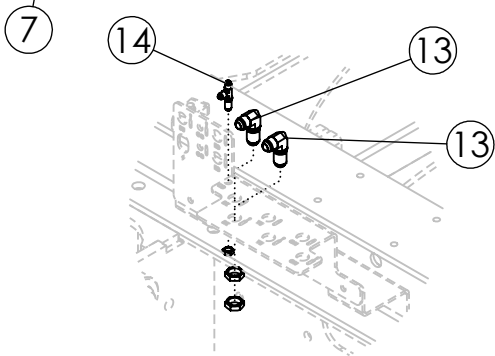
ITEM	PART NO.	DESCRIPTION	QTY
1	319054	ASSY-FLOOR CHAIN MOTORS	1
2	318815	HOSE: .75 X 180 12MB-12FJX	2
3	318821	HOSE: .75 X 224 12FJX-12FJX	2
4	318822	HOSE: .75 X 106 12FJX-12FJX	2
5	318823	HOSE: .38 X 220 6FJX-6FJX	1
6	318824	HOSE: .38 X 112 6FJX-6FJX	1
7	318837	HOSE: .38 X 190 8MB-6FJX	1
8	304185	ASSY-TRACTOR HYD COUPLERS (RED)	1
9	319333	FTG-ADAPTER: 8MB-12FB	2
10	69119	FTG-CASE DRAIN 3/8 FLAT FACE (NON-SPILL)	1
11	332918	FTG-BULKHEAD: 12MJ-12MJ	4
12	319335	FTG-BULKHEAD: 6MJ-6MJ-6MJ	1
13	319339	FTG-BULKHEAD: 6MJ-6MJ	1
14	62014	FTG-ELBOW: 12MJ-12FJX-45	3
15	57897	FTG-ELBOW: 6MJ-6FJX-90	1
16	301538	FTG-ELBOW: 6MJ-6FJX-45	2
17	58982	FTG-ADAPTER: 16MB-12MJ	1
18	319089	FTG-ADAPTER: 16MB-12MB	1
19	63471	ASSY-TUBE LINE .75 X 5.25 0-0	1
20	319088	VALVE-CHECK: 12FB-12FB	1
21	319334	FTG-ELBOW: 12MJ-12MJ-45	1
22	65918	FTG-ADAPTER: 12MB-12MJ	1
23	300245	FTG-ADAPTER: 4MB-6MJ	1



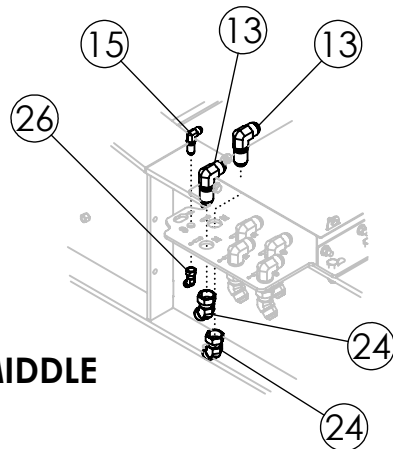
**FRONT**



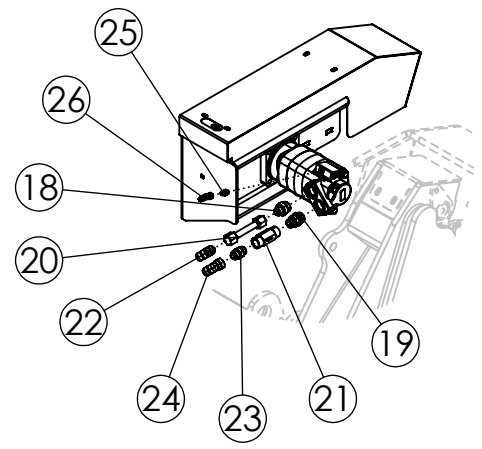
**REAR**



**TO TRACTOR**

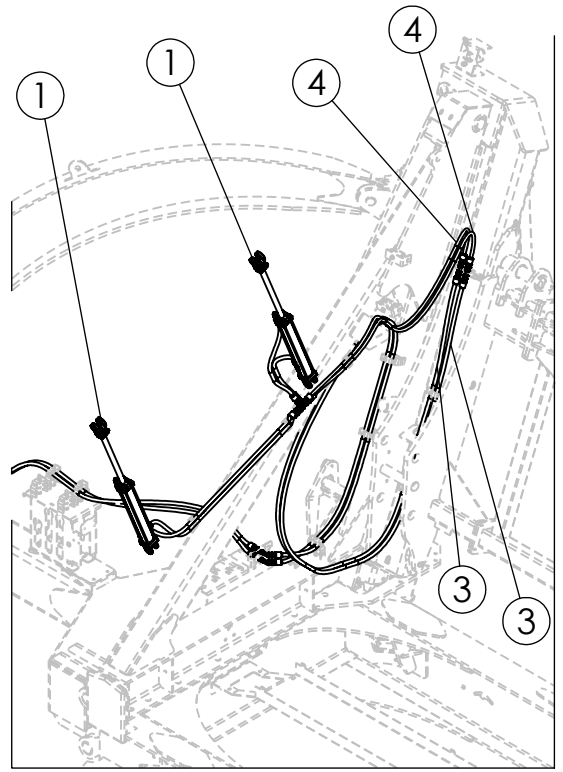
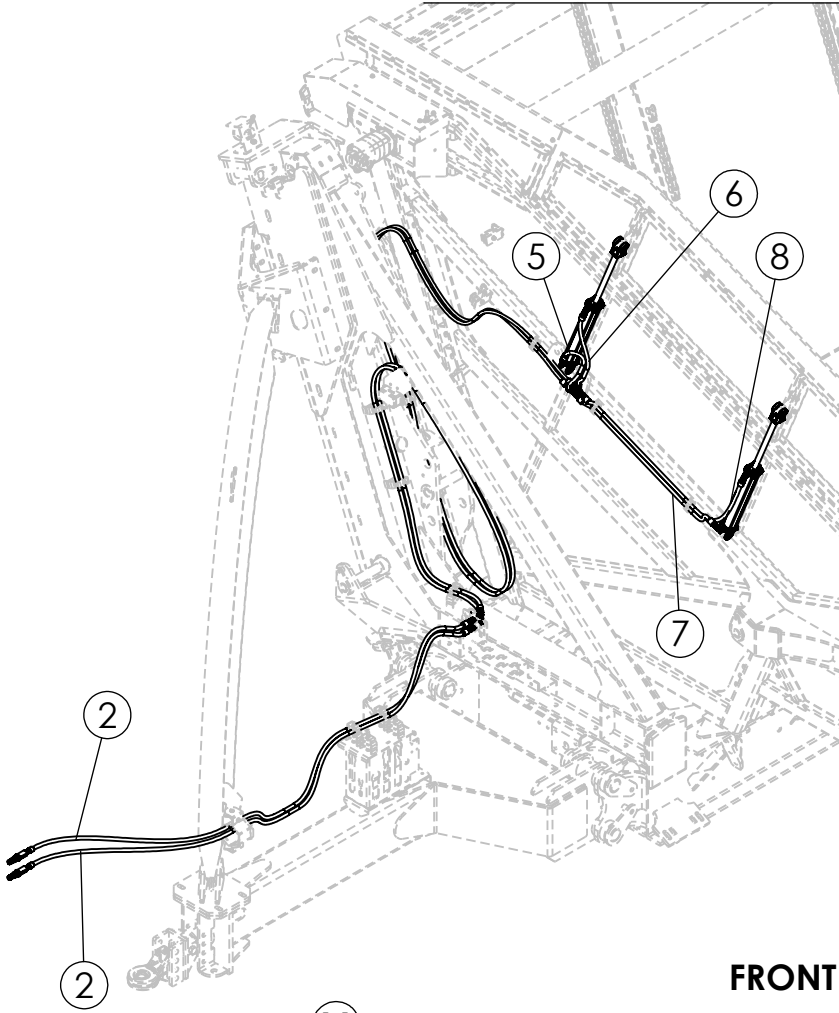


**MIDDLE**

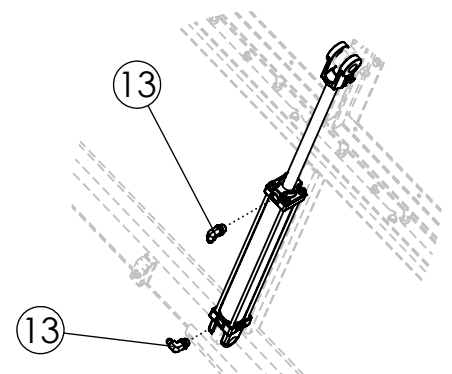
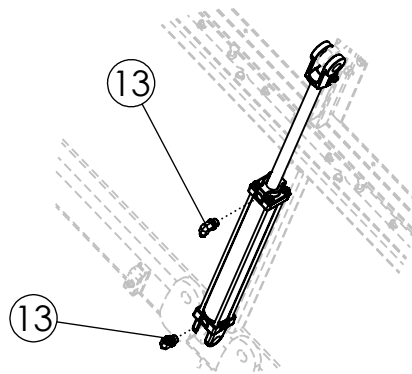
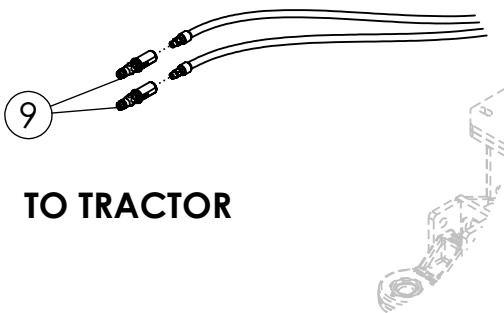
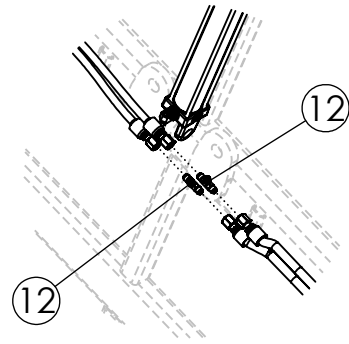
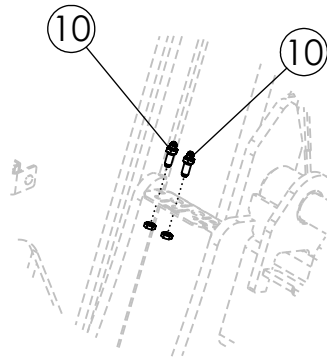
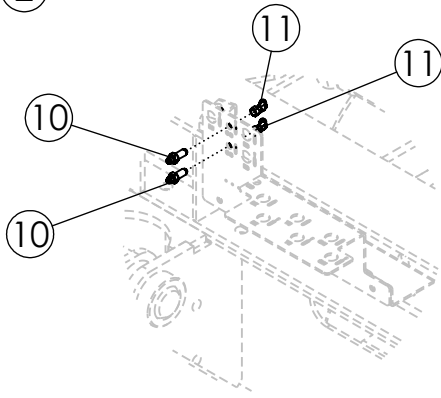


## REAR MOTOR HYDRAULICS

ITEM	PART NO.	DESCRIPTION	QTY
1	319054	ASSY-FLOOR CHAIN MOTORS	1
2	318815	HOSE: .75 X 180 12MB-12FJX	2
3	318825	HOSE: .75 X 242 12FJX-12FJX	2
4	318822	HOSE: .75 X 106 12FJX-12FJX	2
5	318826	HOSE: .38 X 234 6FJX-6FJX	1
6	318824	HOSE: .38 X 112 6FJX-6FJX	1
7	318837	HOSE: .38 X 190 8MB-6FJX	1
8	304072	HOSE: .75 X 168 12FJX-12FJX	2
9	319540	HOSE: .38 X 168 6FJX-6FJX	1
10	304186	ASSY-TRACTOR HYD COUPLERS (BLACK)	1
11	319333	FTG-ADAPTER: 8MB-12FB	2
12	69119	FTG-CASE DRAIN 3/8 FLAT FACE (NON-SPILL)	1
13	319337	FTG-BULKHEAD: 12MJ-12MJ-90	6
14	319335	FTG-BULKHEAD: 6MJ-6MJ-6MJ	1
15	319338	FTG-BULKHEAD: 6MJ-6MJ-90	2
16	332918	FTG-BULKHEAD: 12MJ-12MJ	2
17	319339	FTG-BULKHEAD: 6MJ-6MJ	1
18	58982	FTG-ADAPTER: 16MB-12MJ	1
19	319089	FTG-ADAPTER: 16MB-12MB	1
20	63471	ASSY-TUBE LINE .75 X 5.25 0-0	1
21	319088	VALVE-CHECK: 12FB-12FB	1
22	319334	FTG-ELBOW: 12MJ-12MJ-45	1
23	65918	FTG-ADAPTER: 12MB-12MJ	1
24	62014	FTG-ELBOW: 12MJ-12FJX-45	3
25	300245	FTG-ADAPTER: 4MB-6MJ	1
26	301538	FTG-ELBOW: 6MJ-6FJX-45	2
27	304066	HOSE: .75 X 188 12FJX-12FJX	2
28	319541	HOSE: .38 X 188 6FJX-6FJX	1

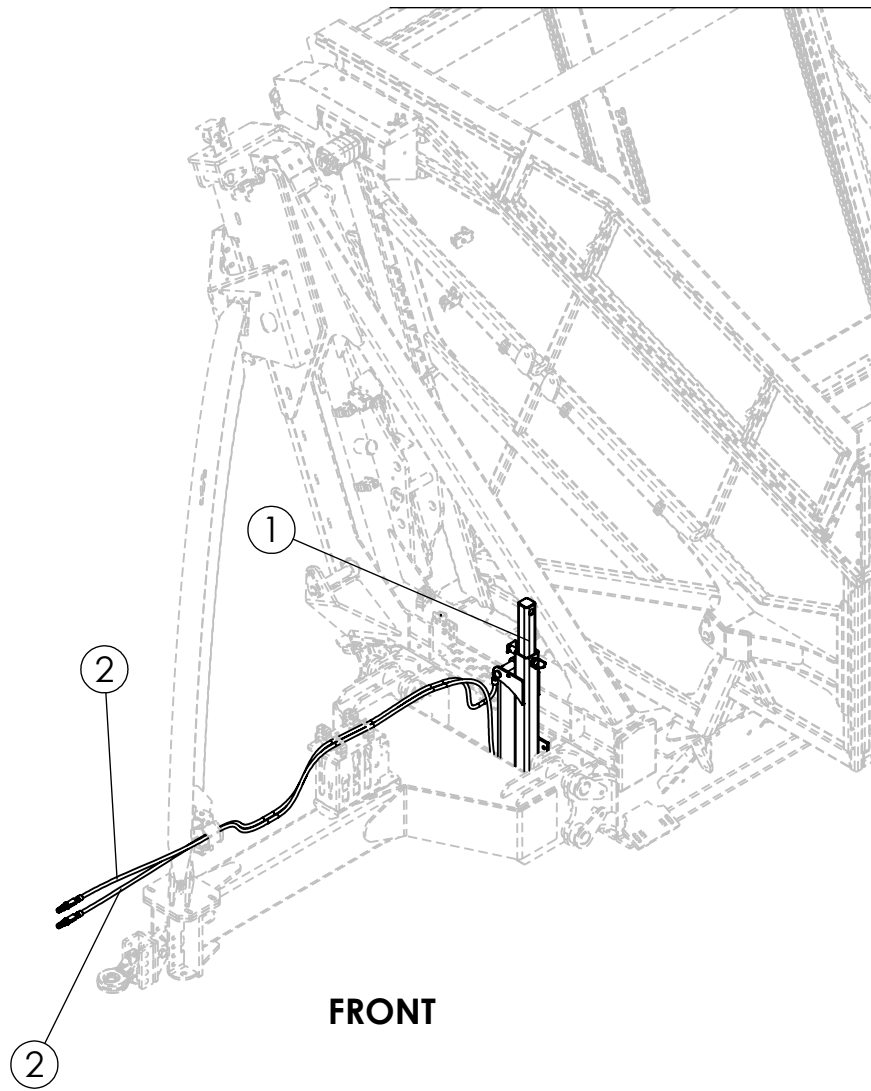


**FRONT**

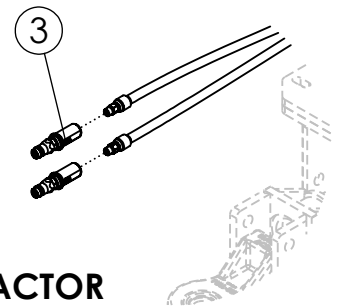
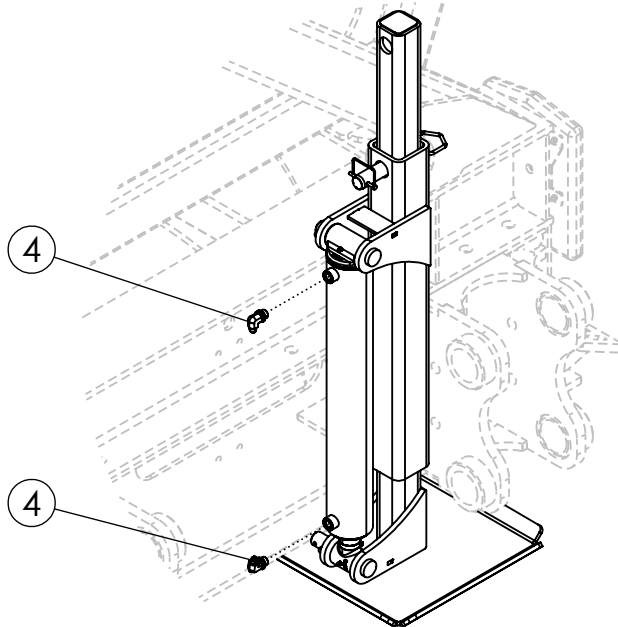


## TANK DOOR HYDRAULICS

ITEM	PART NO.	DESCRIPTION	QTY
1	318892	CYLINDER-HYD 2 X 16 (TIE-ROD)	2
2	318827	HOSE: .38 X 180 8MB-6FJX	2
3	318828	HOSE: .38 X 217 6FJX-6FJX	2
4	318829	HOSE: .38 X 080 6FJX-6FJX	2
5	318830	HOSE: .38 X 020 6FJX-6FJX	1
6	318831	HOSE: .38 X 028 6FJX-6FJX	1
7	318832	HOSE: .38 X 056 6FJX-6FJX	1
8	318833	HOSE: .38 X 071 6FJX-6FJX	1
9	304190	ASSY-TRACTOR HYD COUPLERS (SILVER)	1
10	319339	FTG-BULKHEAD: 6MJ-6MJ	4
11	301538	FTG-ELBOW: 6MJ-6FJX-45	2
12	63890	FTG-TEE: 6MJ-6MJ-6MJ	2
13	58557	FTG-ELBOW: 8MB-6MJ-90	4



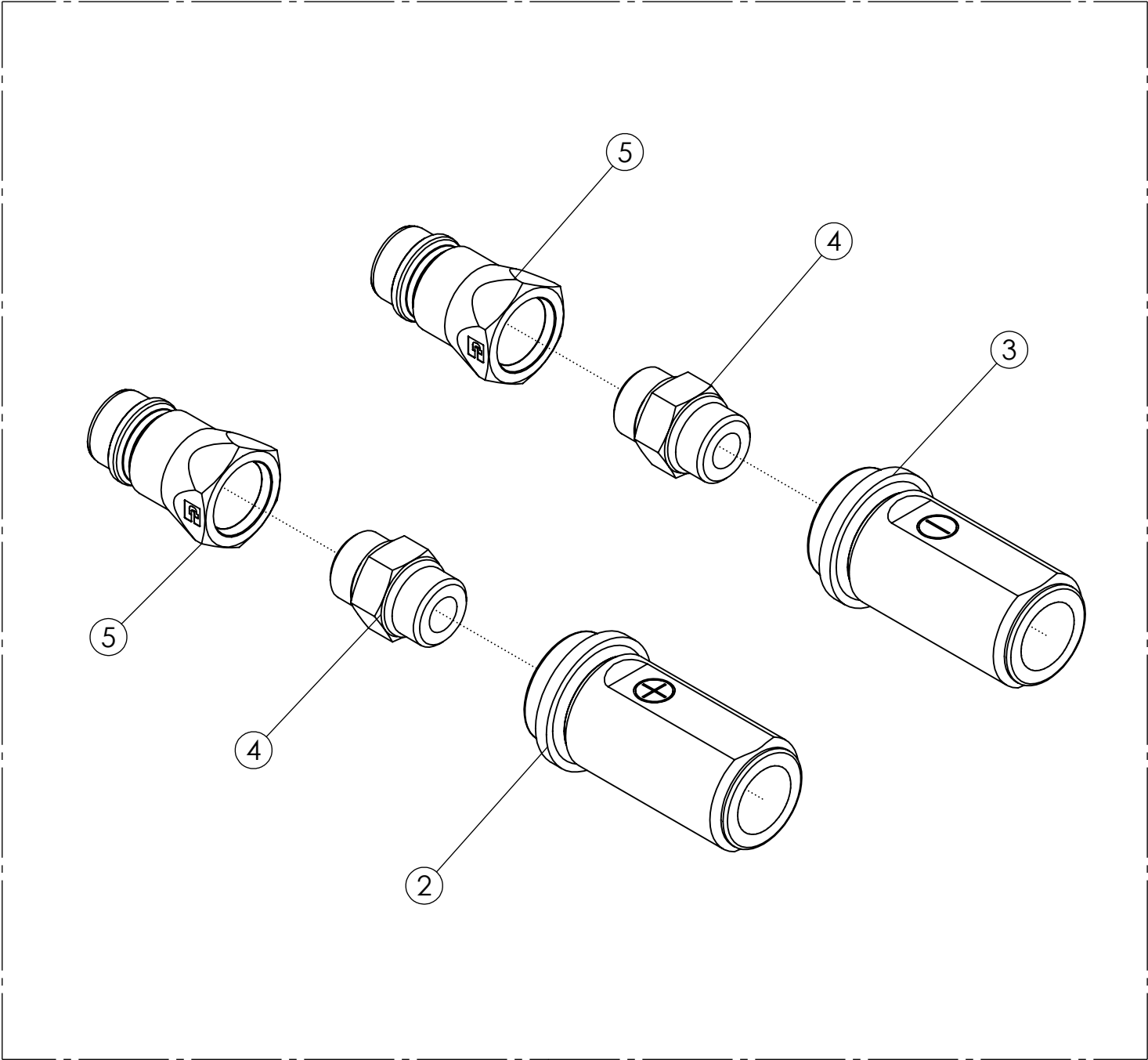
**FRONT**



**TO TRACTOR**

## JACK HYDRAULICS

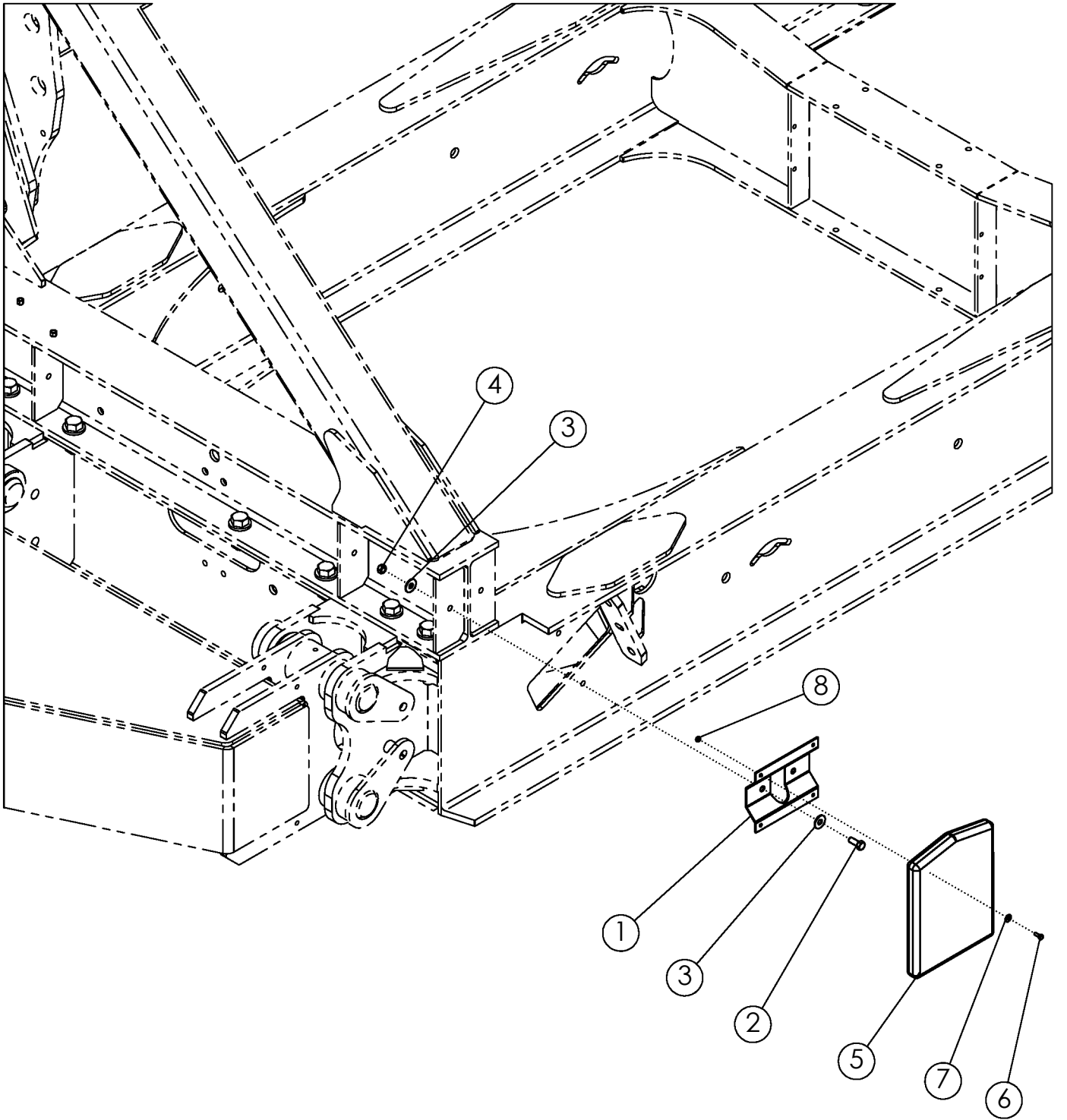
ITEM	PART NO.	DESCRIPTION	QTY
1	318086	ASSY-HYDRAULIC JACK	1
2	318827	HOSE: .38 X 180 8MB-6FJX	2
3	304187	ASSY-TRACTOR HYD COUPLERS (BLUE)	1
4	58557	FTG-ELBOW: 8MB-6MJ-90	2



## HYDRAULIC COUPLER ASSEMBLY

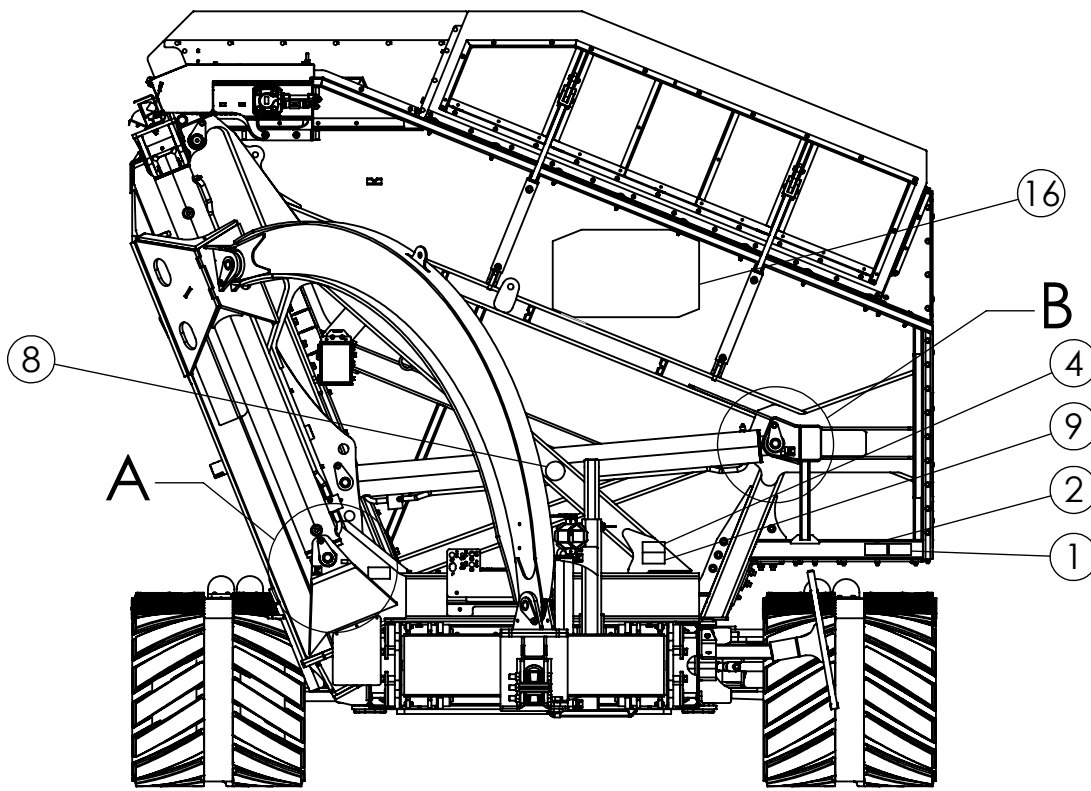
ITEM	PART NO.	DESCRIPTION	QTY
1	304185*	ASSY-TRACTOR HYD COUPLERS (RED)	1
	304186*	ASSY-TRACTOR HYD COUPLERS (BLACK)	
	304187*	ASSY-TRACTOR HYD COUPLERS (BLUE)	
	304188*	ASSY-TRACTOR HYD COUPLERS (GREEN)	
	304189*	ASSY-TRACTOR HYD COUPLERS (GOLD)	
	304190*	ASSY-TRACTOR HYD COUPLERS (SILVER)	
	304191*	ASSY-TRACTOR HYD COUPLERS (PURPLE)	
2	304170	HYD LABEL: 8FB-8FB RED (+)	1
	304172	HYD LABEL: 8FB-8FB BLACK (+)	
	304174	HYD LABEL: 8FB-8FB BLUE (+)	
	304176	HYD LABEL: 8FB-8FB GREEN (+)	
	304178	HYD LABEL: 8FB-8FB GOLD (+)	
	304180	HYD LABEL: 8FB-8FB SILVER (+)	
	304182	HYD LABEL: 8FB-8FB PURPLE (+)	
3	304171	HYD LABEL: 8FB-8FB RED (-)	1
	304173	HYD LABEL: 8FB-8FB BLACK (-)	
	304175	HYD LABEL: 8FB-8FB BLUE (-)	
	304177	HYD LABEL: 8FB-8FB GREEN (-)	
	304179	HYD LABEL: 8FB-8FB GOLD (-)	
	304181	HYD LABEL: 8FB-8FB SILVER (-)	
	304183	HYD LABEL: 8FB-8FB PURPLE (-)	
4	304184	FTG-ADAPTER: 8MB-8MB SOLID	2
5	36290	PIONEER TIP 8010-15P (#8 ORB)	2

\*INCLUDES ITEMS 2 THRU 5

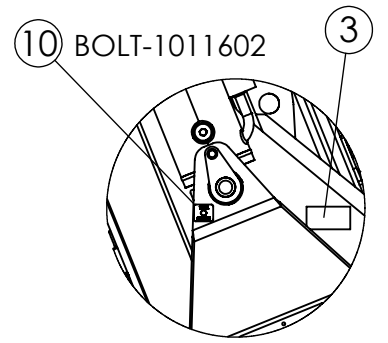


## MANUAL STORAGE

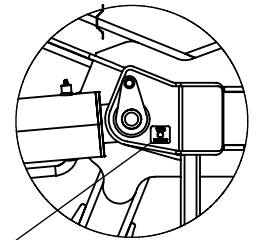
ITEM	PART NO.	DESCRIPTION	QTY
1	318766	PLATE-MANUAL BOX MOUNT	1
2	1011606	BOLT-HEX: 50 X 1.25 NC GR5 ZP	2
3	1014443	WASHER-FLAT: .50 ZP	4
4	1027461	NUT-TOPLOCK: .50 NC GR5 ZP	2
5	64635	CASE-MANUAL STORAGE	1
6	1011595	BOLT-HEX: .25 X .75 NC GR5 ZP	4
7	1020416	WASHER-FLAT: .25 ZP	4
8	1030946	NUT-TOPLOCK: .25 NC GR5 ZP	4



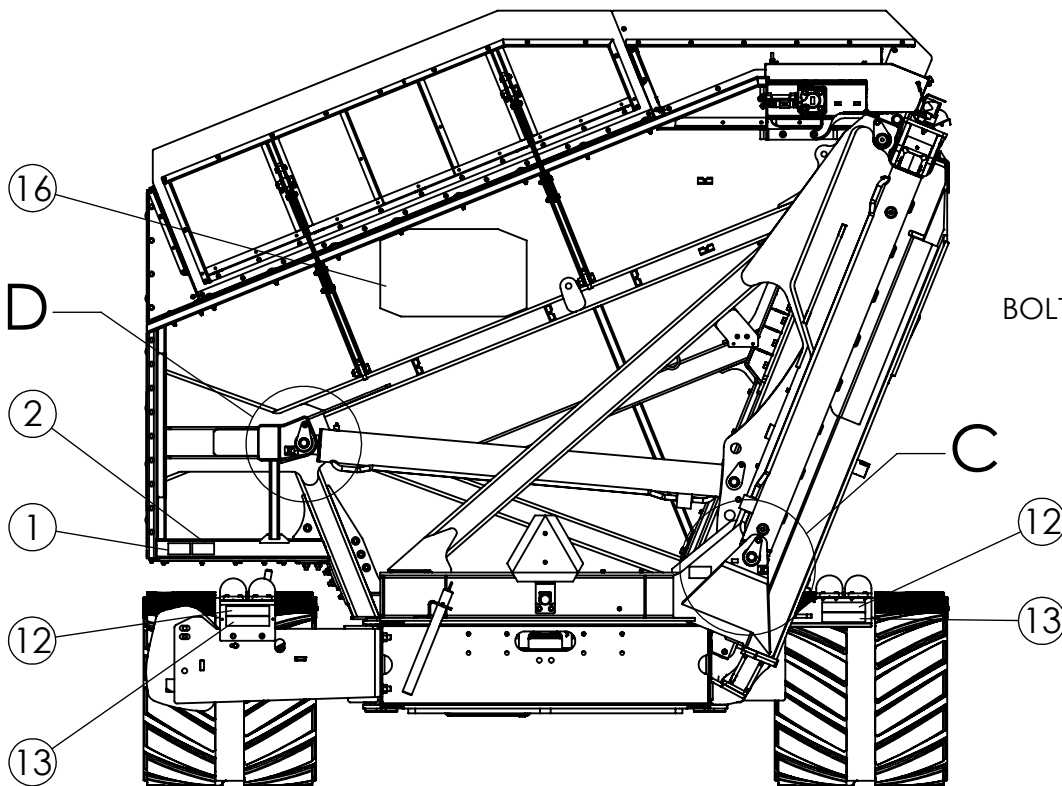
FRONT



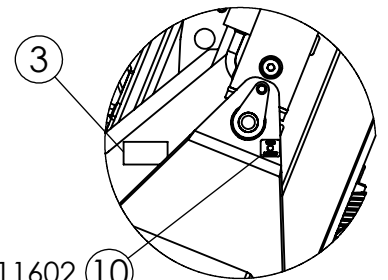
DETAIL A  
SCALE 1 : 20



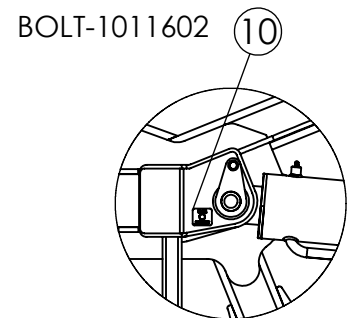
DETAIL B  
SCALE 1 : 20



REAR



DETAIL C  
SCALE 1 : 20



DETAIL D  
SCALE 1 : 20

# DECALS

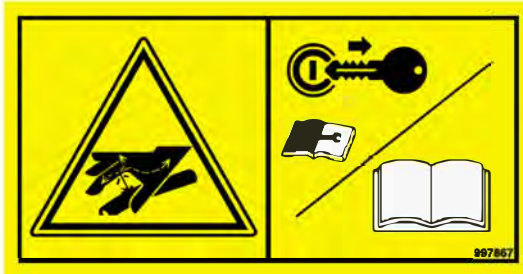
1 997841 QTY 2



2 303265 QTY 2



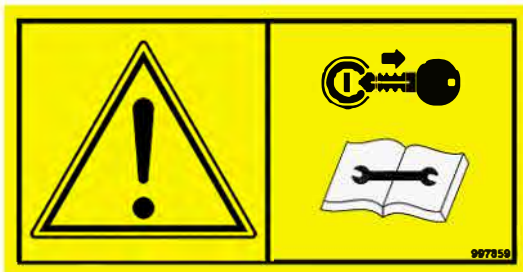
3 997867 QTY 4



4 9971015 QTY 1



5 997859 QTY 1



6 997861 QTY 1



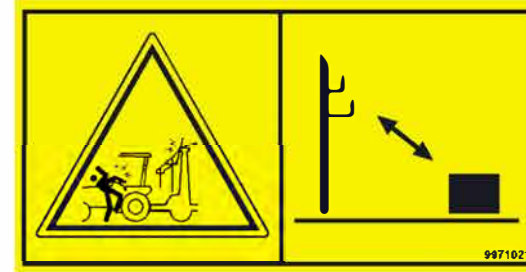
7 63465 QTY 1



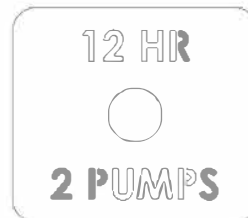
8 9971018 QTY 1



9 9971021 QTY 1



10 319223 (PLATE) QTY 12  
 1011602 (BOLT) QTY 8  
 1011601 (BOLT) QTY 2  
 1011600 (BOLT) QTY 2  
 303731 (NUT) QTY 12



CONTINUED



# DECALS (CONTINUED)

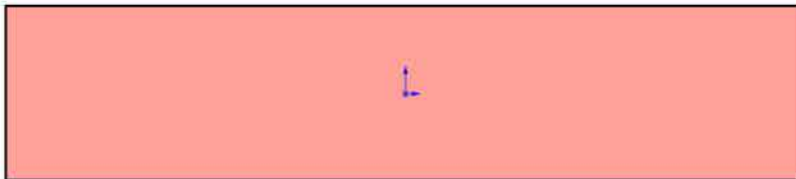
11 65331 QTY 11



12 65332 QTY 2



13 65330 QTY 2



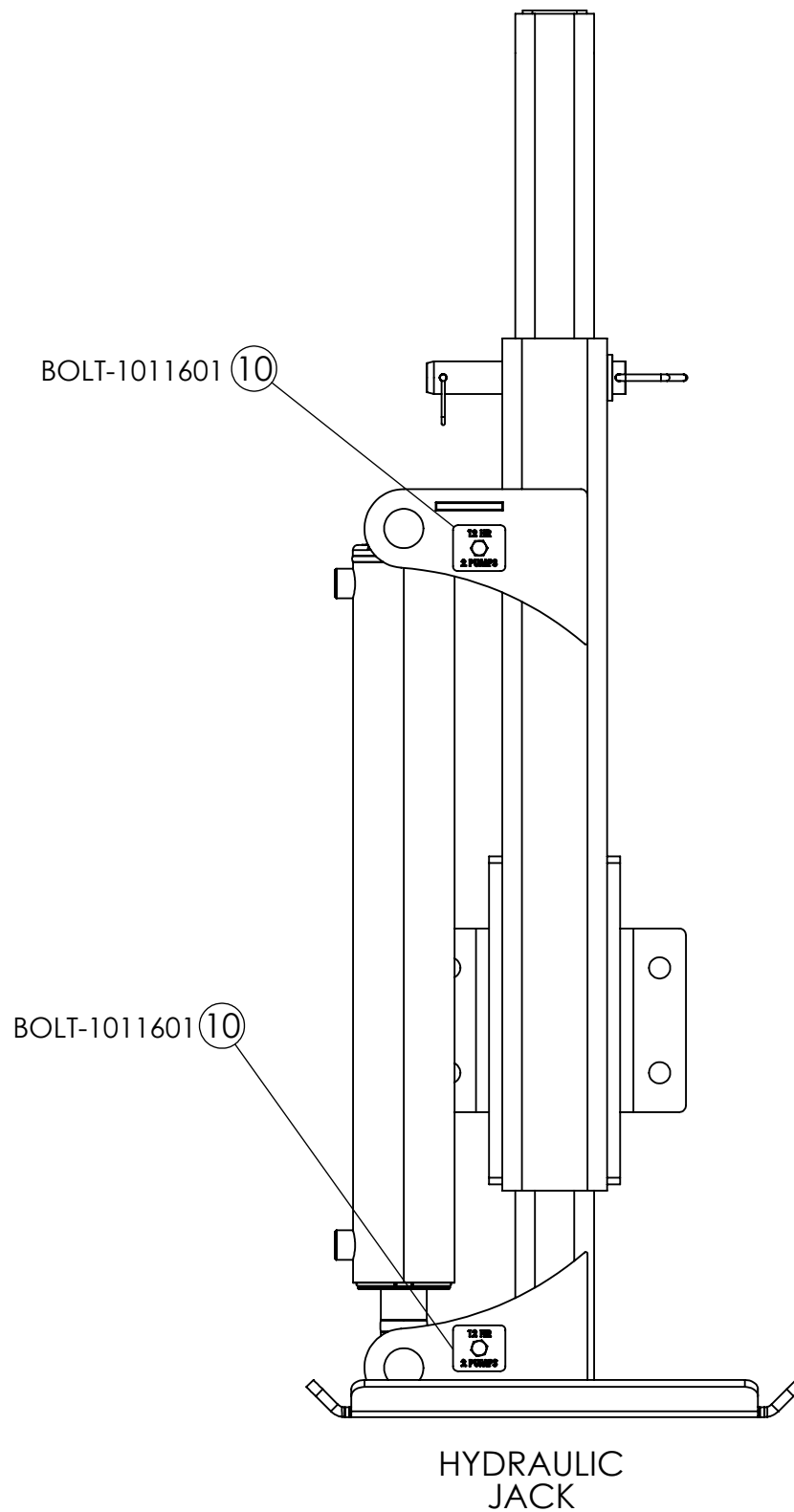
14 318694 QTY 1



15 318695 QTY 1



CONTINUED



HYDRAULIC  
JACK

# DECALS (CONTINUED)

16 318696 QTY 2



17 319013 QTY 1

CC1000 HOSE CHART	
Green	Lift Cylinders
Gold	Tilt Cylinders
Red	Front Floor Chain
Black	Rear Floor Chain
Blue	Hydraulic Jack
Silver	Flip Down Tank Door
None	Case Drain

PN: 319013

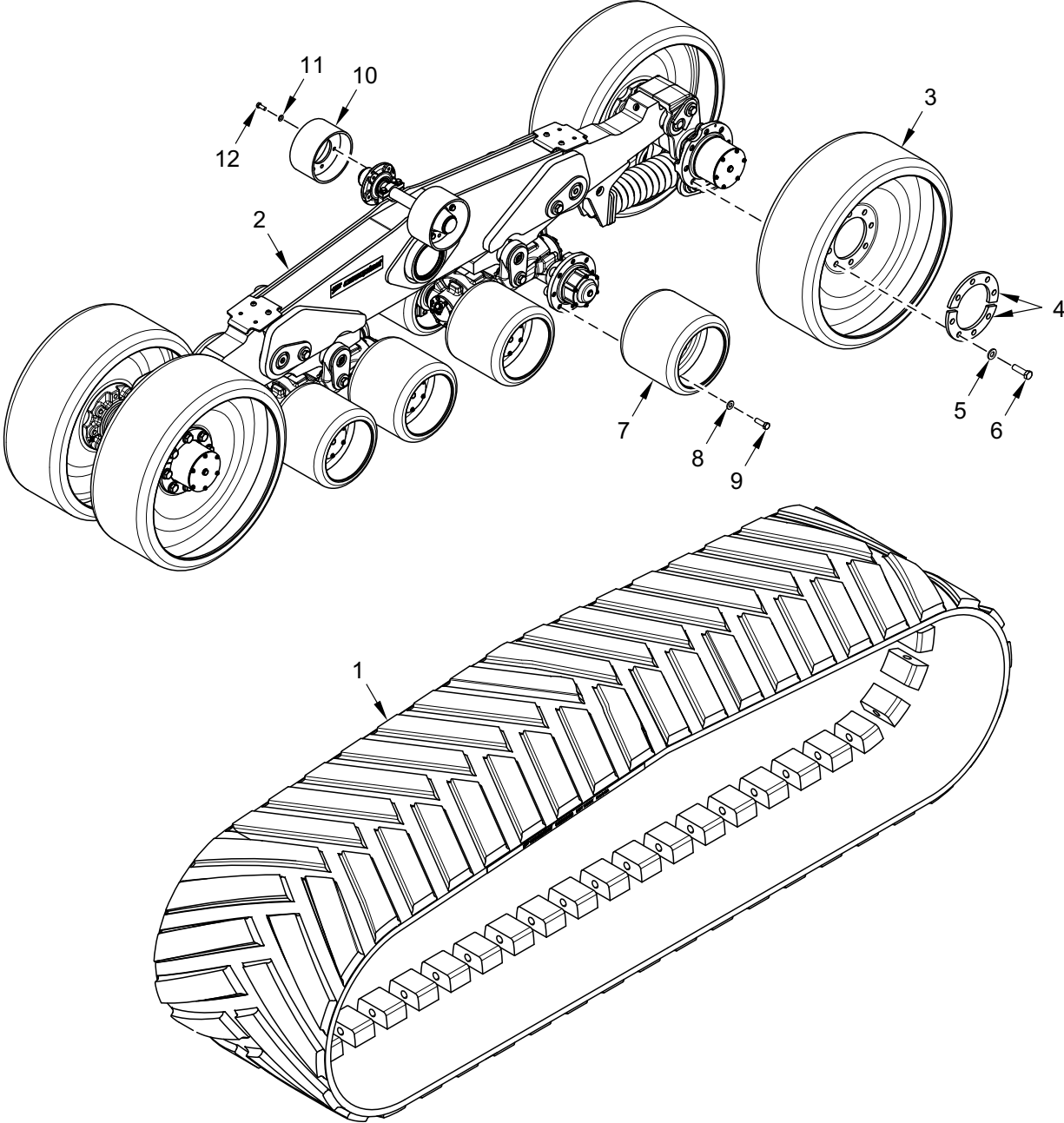
18 303769 QTY 1



19 303804 QTY 1



Track & Undercarriage



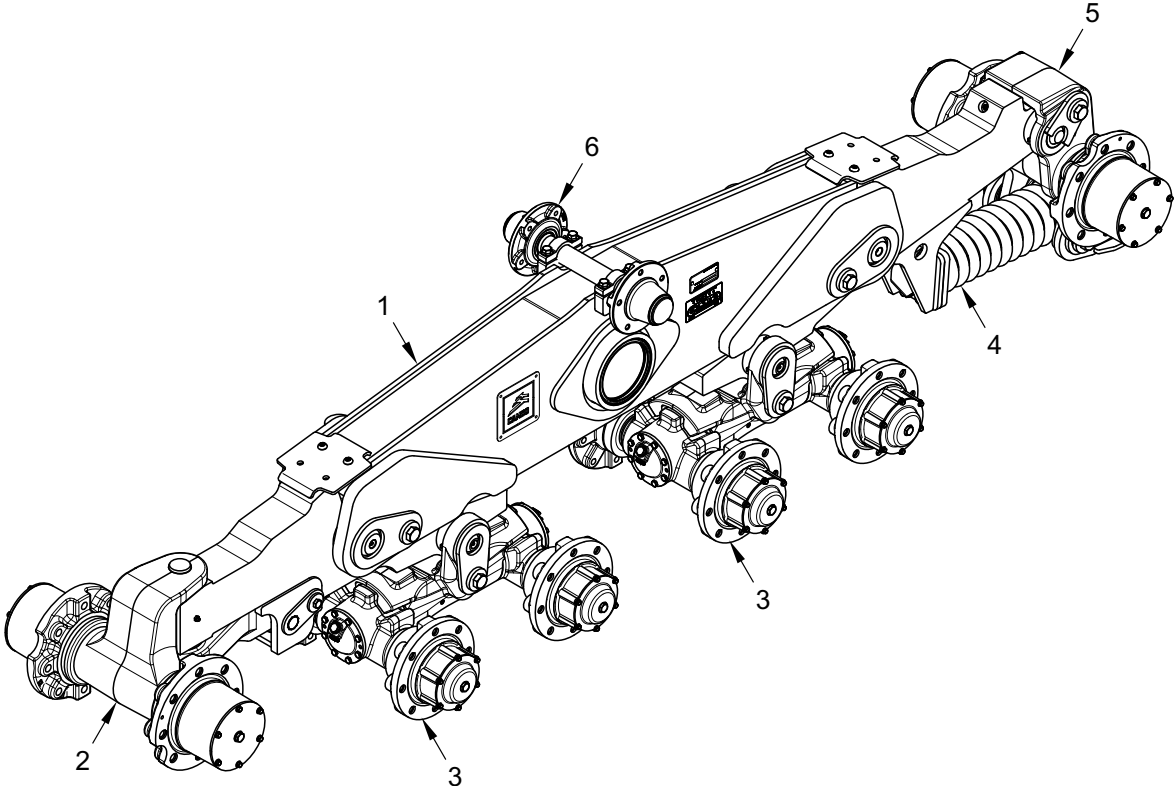
CP1964

# TRACK AND UNDERCARRIAGE

---

ITEM	AMITY PN	CAMSO PN	DESCRIPTION	QTY
1	311150	G36BP03586	TRACK, RUBBER, 302" X 36"	1
2	N/A	REF	UNDERCARRIAGE ASSY **SEE PAGES A3-A4**	1
3	311943	5W-0287-103SP	WHEEL, IDLER, SEMI-GLOSS BLACK	4
4	311103	2C-2030-100	RING, BACK-UP	8
5	311081	224091351	WASHER	4
6	311115	2F-0158	BOLT, HEX, M20 X 70 CL 10.9	32
7	311587	4W-0321-103SP	WHEEL, MID-ROLLER, SEMI-GLOSS BLACK	8
8	311113	2F-0065	WASHER, FLAT, M16	64
9	311114	2F-0087	BOLT, HEX, M16 X 50 CL 10.9	64
10	311809	2S-0375-001SP	ROLLER, CARRIER	2
11	311120	2F-0265	WASHER, M12	10
12	311112	2F-0005	BOLT, HEX, M12 X 30 CL 10.9	10

Undercarriage Assembly



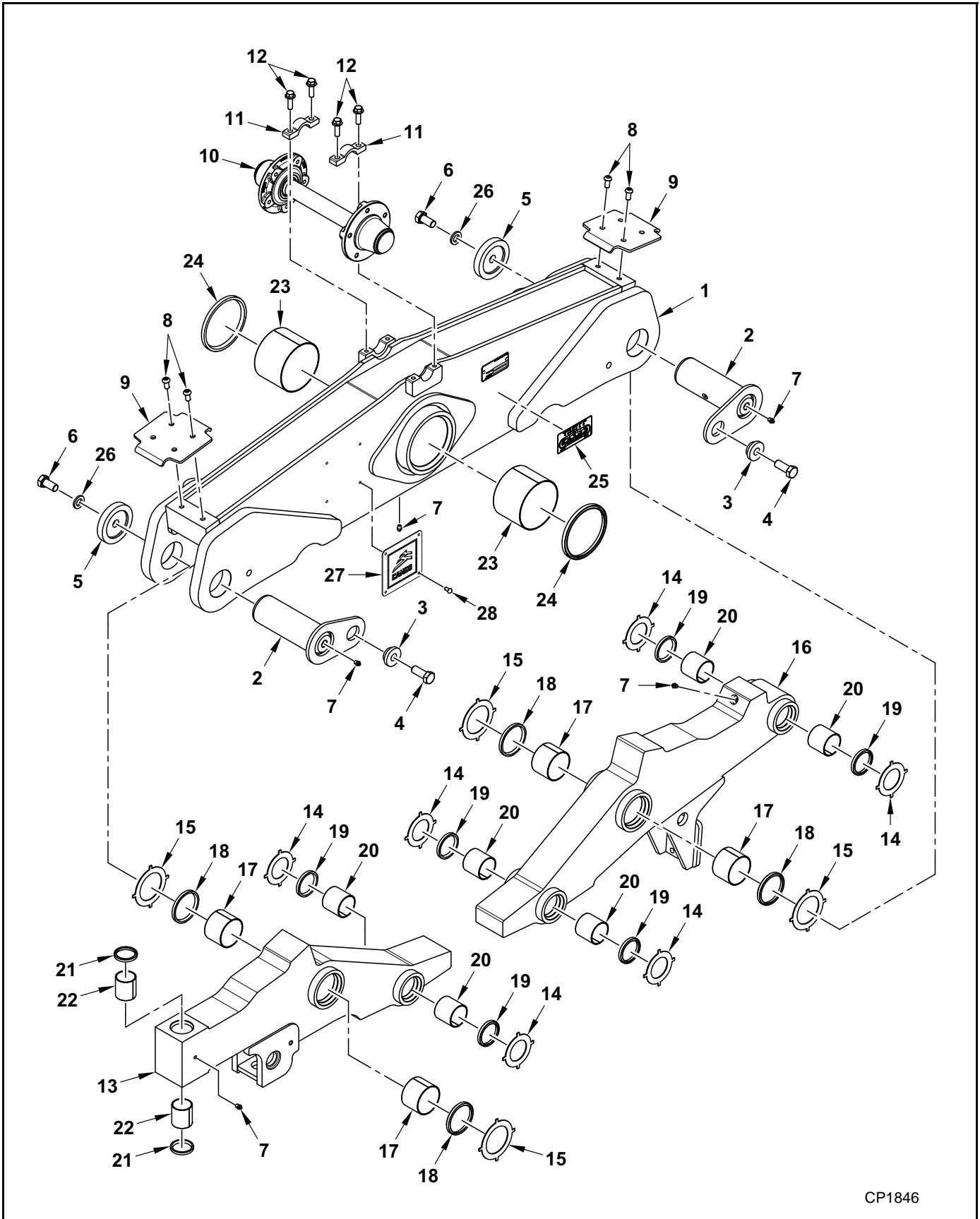
CP1966

# UNDERCARRIAGE ASSEMBLY

---

ITEM	AMITY PN	CAMSO PN	DESCRIPTION	QTY
1	N/A	2A-0953-100SP	FRAME ASSY **SEE PAGES A5-A6**	1
2	311567	2A-0922-101SP	ALIGNMENT ASSY **SEE PAGES A11-A12**	1
3	311863	2A-2530-101SP	BOGIE ASSY **SEE PAGES A13-A14**	2
4	311576	2A-1001-100SP	TENSIONER ASSY **SEE PAGES A9-A10**	1
5	311862	2A-0924-101SP	TENSION LINK ASSY **SEE PAGES A7-A8**	1
6	311817	2A-0931-101SP	CARRIER ASSY **SEE PAGES A15-A16**	1

# Frame Assembly

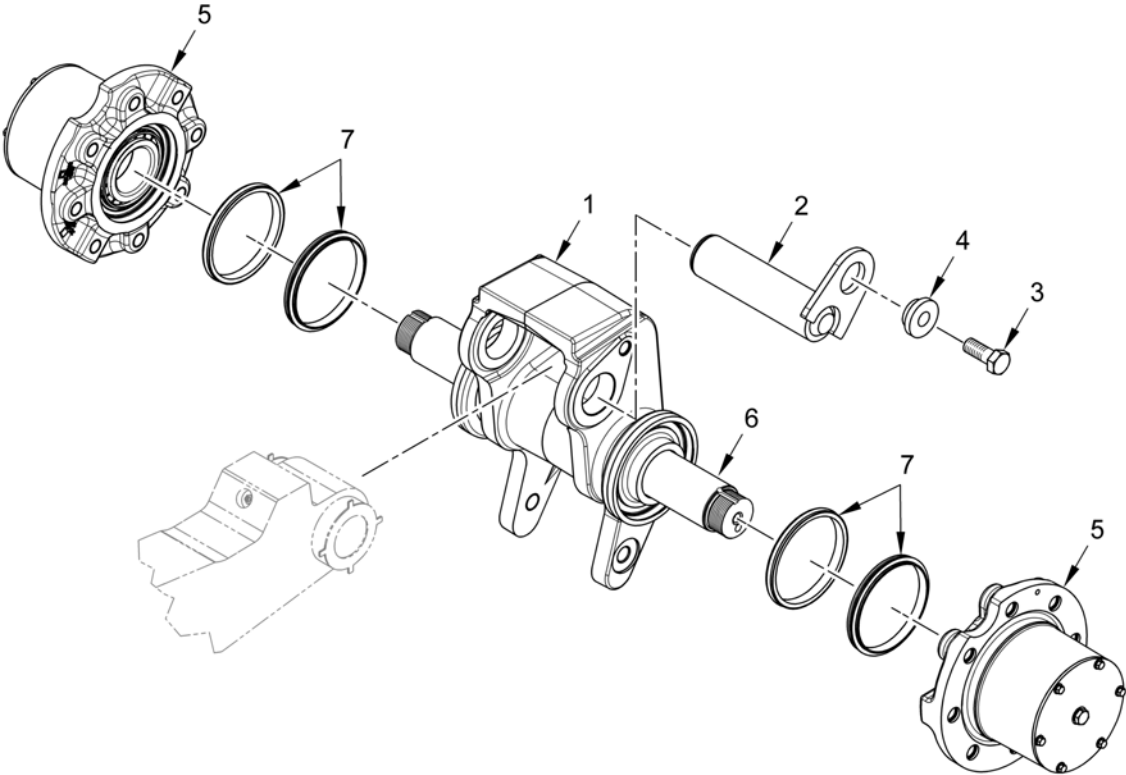


CP1846

# FRAME ASSEMBLY

ITEM	AMITY PN	CAMSO PN	DESCRIPTION	QTY
1	N/A	2A-2533-100	FRAME, MAIN	1
2	311138	2S-0350-000	PIN, MOUNTING	2
3	311102	2C-2024-100	SPACER, FLANGED, M20	2
4	311123	2F-0323	BOLT, HEX, M20 X 40 CL 10.9	2
5	311568	2C-2025-100	CAP,END	2
6	311558	2F-0143	BOLT, HEX, M20 X 40 CL 10.9	2
7	311570	2H-0060	FITTING, GREASE, 1/8"-27 PTF SHORT	5
8	311121	2F-0307	BOLT, SOCKET HD, M12 X 25 CL 10.9	4
9	311108	2C-2157-101SP	DEFLECTOR	2
10	311817	2A-0931-101SP	CARRIER, ROLLER **SEE PAGES A15-A16**	1
11	311571	2C-2138-100	RETAINER, AXLE BLOCK	2
12	311555	2F-0269	BOLT, HEX FLG., M12 X 40 CL 10.9	4
13	319532	2A-0954-100SP	ARM, ALIGNMENT	1
14	311573	2C-4163-100	WASHER, THRUST, 60 MM	6
15	311105	2C-2033-100	WASHER, THRUST, 80 MM	4
16	311583	2A-0952-100SP	ARM, TANDEM **INCLUDES ITEMS 7, 17-20**	1
17	311090	2B-0116	BUSHING, M80 X 85 X 60 LONG	4
18	311131	2J-0118	SEAL, SCRAPER, 80 X 94 X 8 MM THICK	4
19	311130	2J-0117	SEAL, SCRAPER, 60 X 74 X 8 MM THICK	6
20	311091	2B-0117	BUSHING, 60 X 65 X 60 MM LONG	6
21	311129	2J-0116	SEAL, SCRAPER, 50 X 62 X 7 MM THICK	2
22	311092	2B-0118	BUSHING, 50 X 55 X 60 MM LONG	2
23	311089	2B-0115	BUSHING, 140 X 145 X 100 MM LONG	2
24	311132	2J-0119	SEAL, SCRAPER, 140 X 160 X 10 MM THICK	2
25	311574	2M-0161-100	DECAL, TTS GREASING	1
26	311575	224090131	WASHER, FLAT, ISO 7091 300HV, ZN	2
27	N/A	2M-0179-100	PLATE, BRANDING, CAMSO	1
28	N/A	2F-0096	SCREW, DRIVE, SCR TYPE-U, SS	1

Tension Link Assembly



CP0947

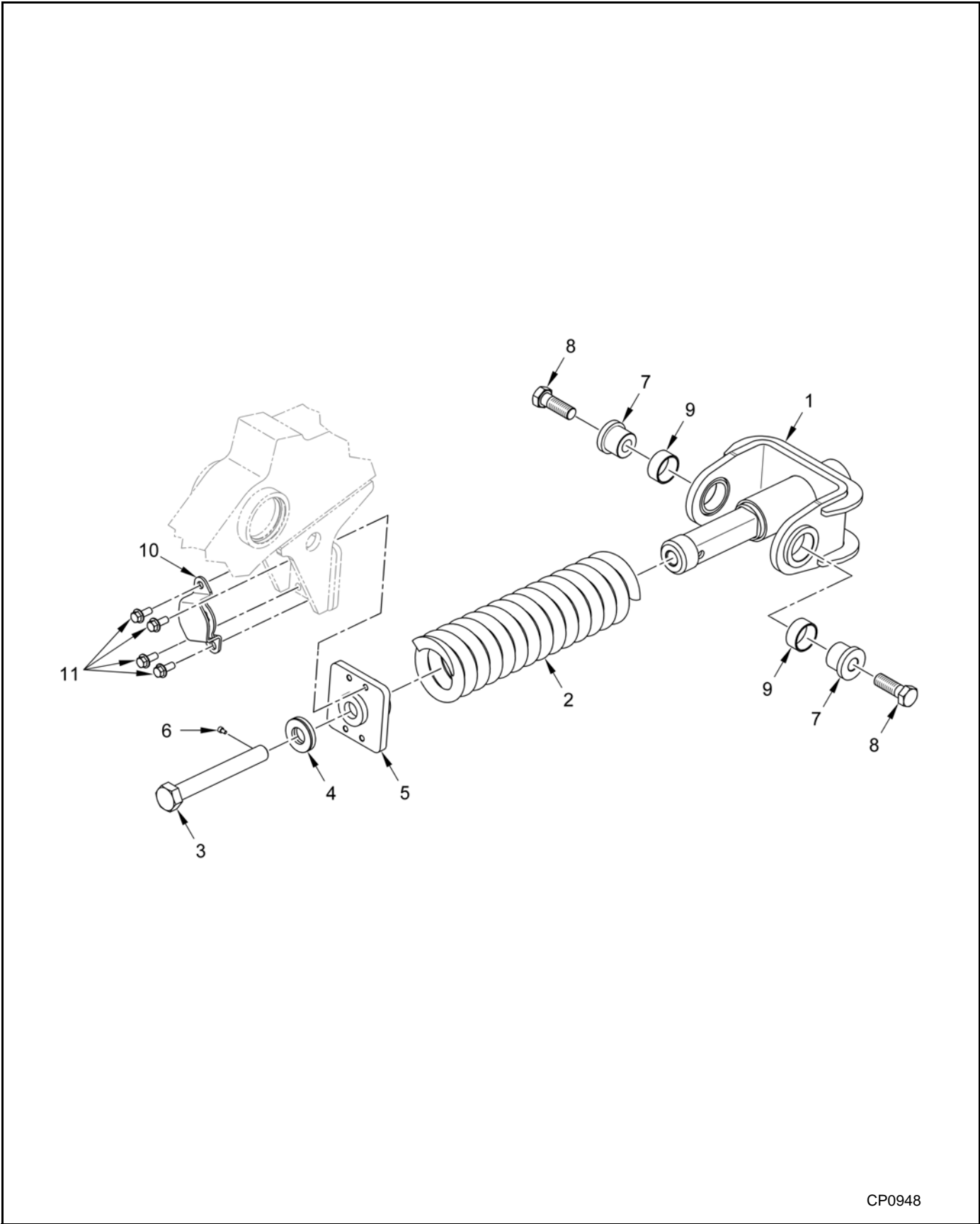
# TENSION LINK ASSEMBLY

---

ITEM	AMITY PN	CAMSO PN	DESCRIPTION	QTY
	311862	2A-0924-101SP	LINK ASSY, TENSION **INCLUDES ITEMS 1, 5-7**	1
1	319017	2A-0925-101	LINK, TENSION	1
2	311141	2S-0424-000	PIN, TENSIONER	1
3	311123	2F-0323	BOLT, HEX, M20 X 50 CL 10.9	1
4	311102	2C-2024-100	SPACER, FLG, M20	1
5	N/A	NSS	HUB, IDLER **SEE PAGES A17-A18**	1
6	N/A	NSS	AXLE, IDLER	1
7	311127	2J-0026*	SEAL, MECHANICAL FACE, 127 MM ID	2

\* FOR SPECIAL TOOLING USE PN 2P-0019-100 (AMITY PN 311870) SEAL INSTALLATION TOOL AVAILABLE FROM CAMSO

Tensioner Assembly

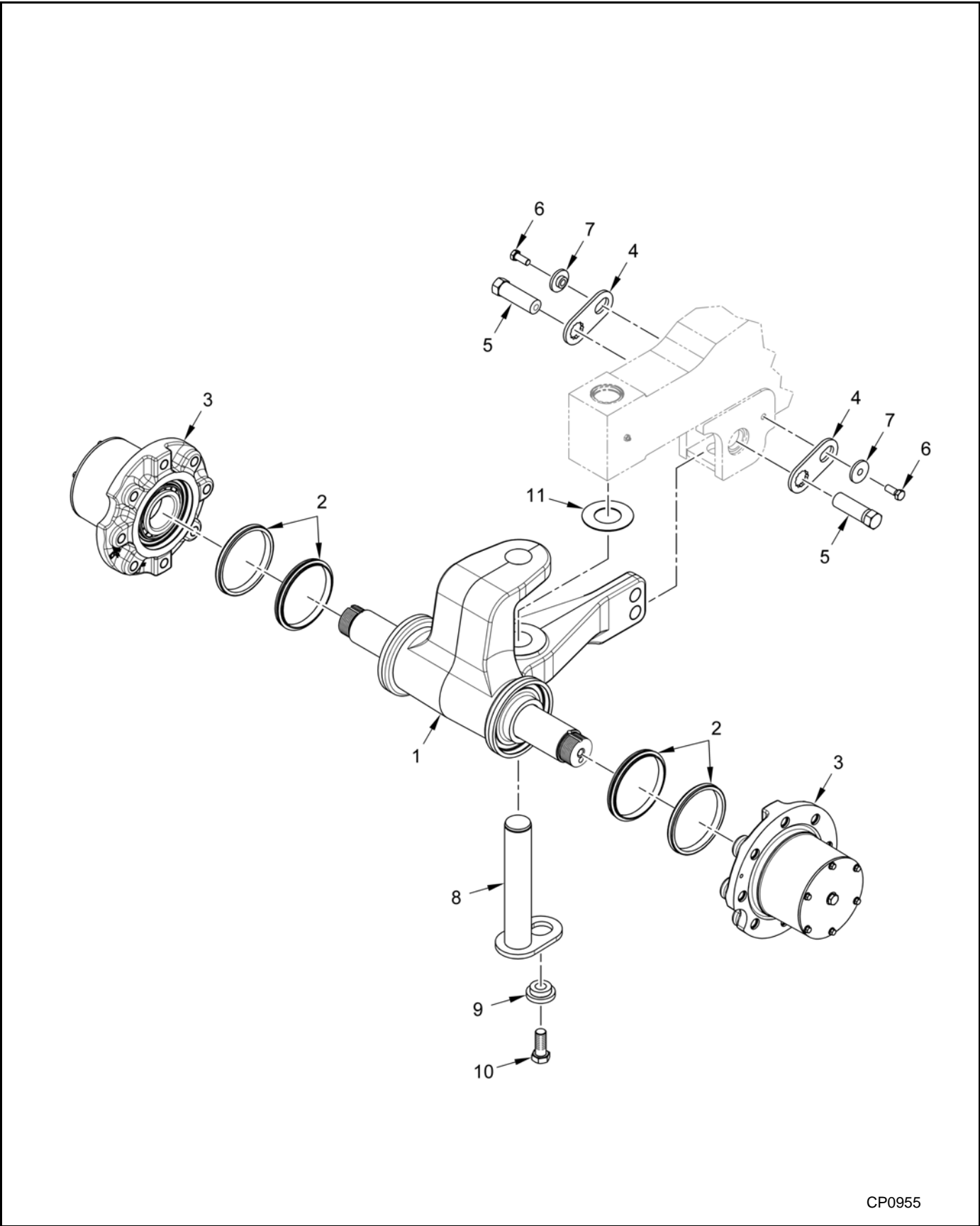


CP0948

# TENSIONER ASSEMBLY

ITEM	AMITY PN	CAMSO PN	DESCRIPTION	QTY
	311576	2A-1001-100SP	TENSIONER ASSY, TRACK **INCLUDES ITEMS 1-6, 9**	1
1	N/A	2A-0994-100SP	SEAT, SPRING **INCLUDES ITEM 9**	1
2	311812	2M-0145-001SP	SPRING	1
3	311109	2C-2255-100	SCREW, COMPRESSION, M30 X 3.5 X 240	1
4	311122	2F-0322	WASHER, FLAT, 1.25"	1
5	311142	2S-0429-101SP	SUPPORT, HEAD	1
6	311869	2F-0324	SCREW, SET, HEX SOCKET, M6 X 10 CL 12.9	1
7	311110	2C-2262-100	SPACER	2
8	311116	2F-0181	BOLT, HEX, M24 X 70 CL 10.9	2
9	311094	2B-0133	BUSHING, OIL-TITE	2
10	311143	2S-0432-001SP	CAP, LOCKING	1
11	311111	2F-0001	BOLT, HEX FLG, M12 X 30 CL 10.9	4

Alignment Assembly



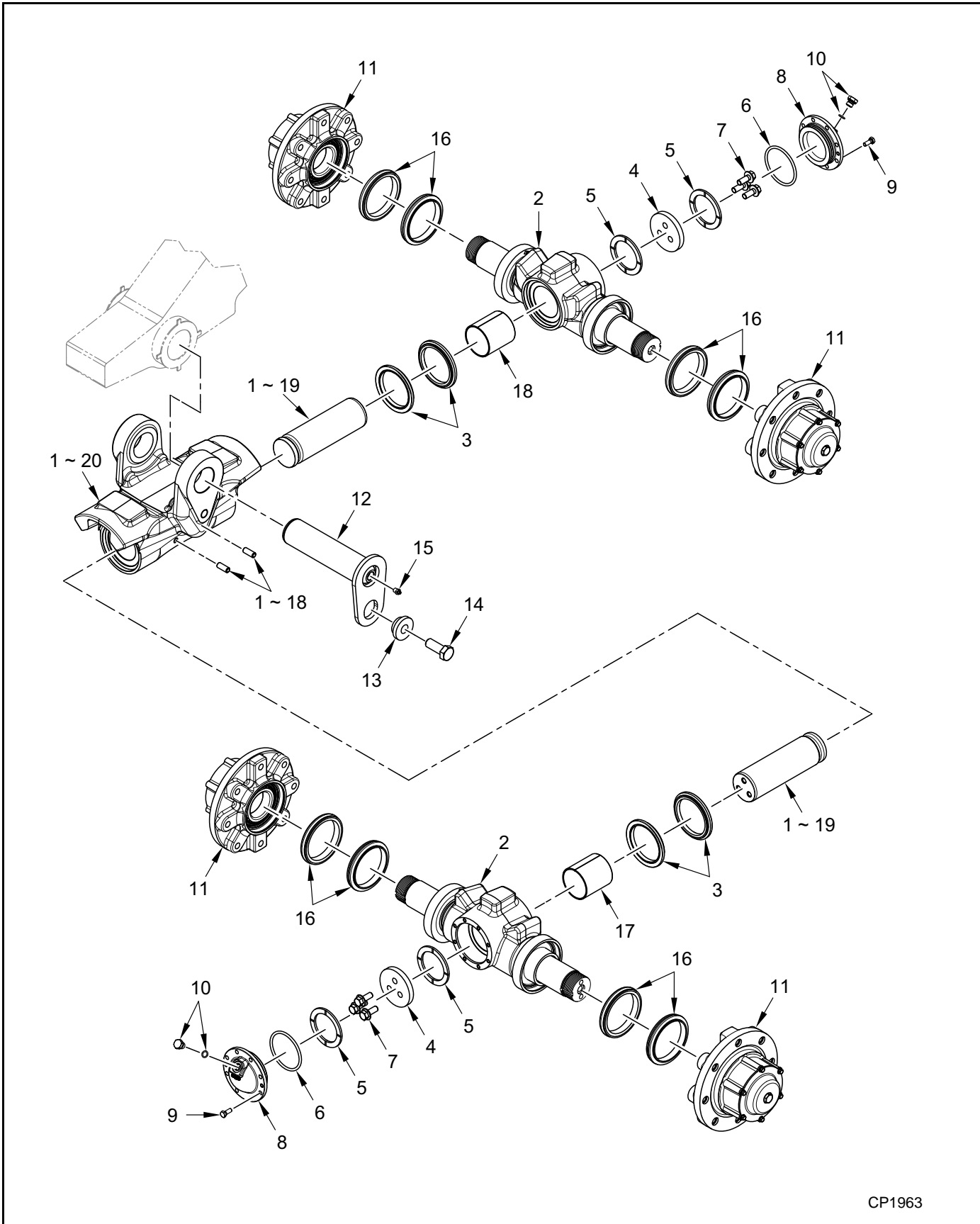
CP0955

# ALIGNMENT ASSEMBLY

---

ITEM	AMITY PN	CAMSO PN	DESCRIPTION	QTY
	311567	2A-0922-101SP	ALIGNMENT ASSY, LEVER **INCLUDES ITEMS 1 & 3**	1
1	311843	2A-0923-101	LEVER, ALIGNMENT	1
2	311127	2J-0026	SEAL, MECHANICAL FACE, 127 MM ID	2
3	N/A	NSS	HUB, IDLER **SEE PAGES A17-A18**	2
4	311097	2C-0387	PLATE, LOCK	2
5	311582	2F-0531	SCREW, SET, SPECIAL, 1-1/8" X 85 MM	2
6	311112	2F-0005	BOLT, HEX, M12 X 30 CL 10.9	2
7	311095	2C-0008	SPACER, FLANGED	2
8	311140	2S-0352-000	PIN, MOUNTING	1
9	311102	2C-2024-100	SPACER, FLG, M20	1
10	311123	2F-0323	BOLT, HEX, M20 X 50 CL 10.9	1
11	311101	2C-2023-100	WASHER, THRUST, 50 MM	1

# Bogie Assembly - Mid-roller



CP1963

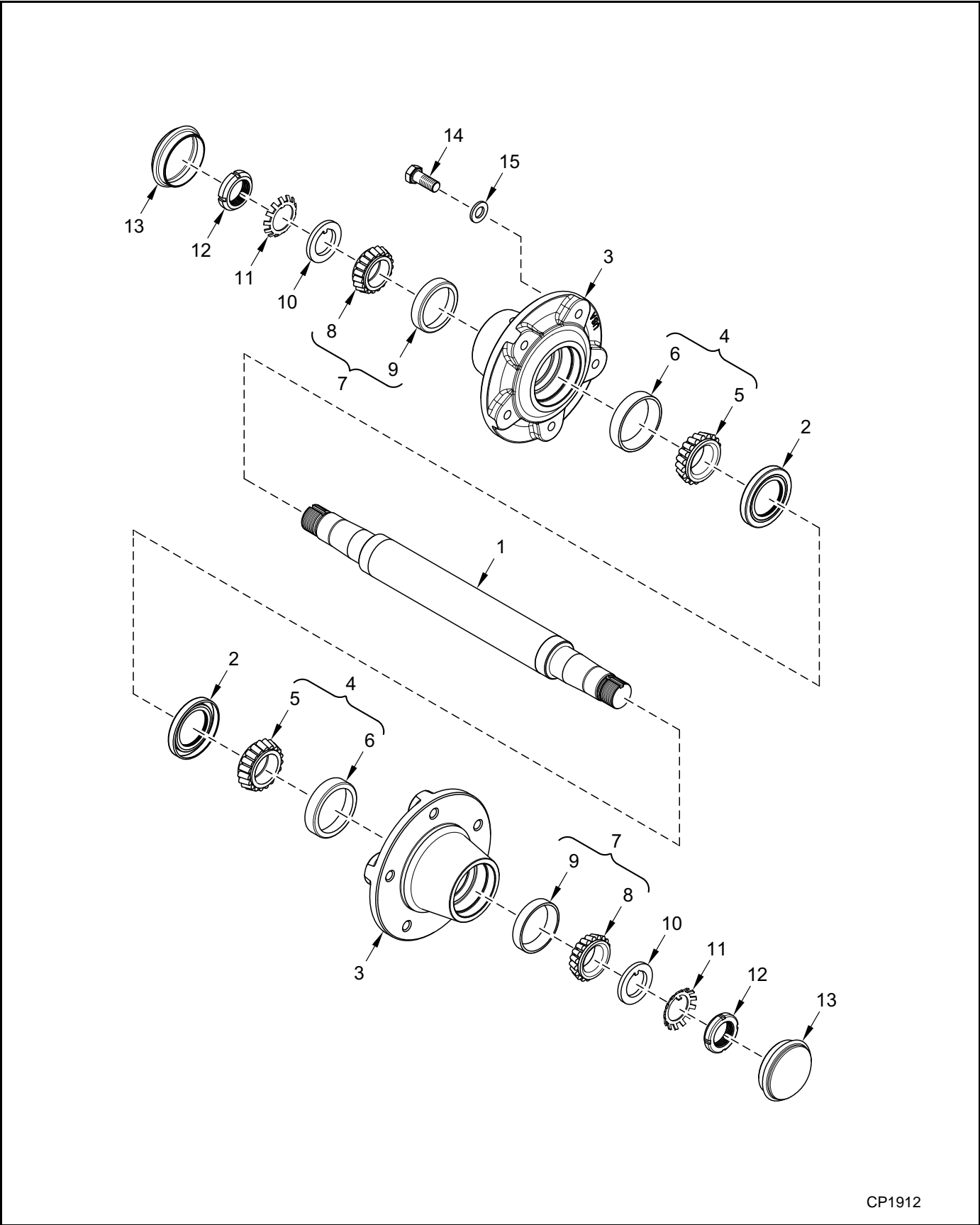
# BOGIE ASSEMBLY - MID-ROLLER

ITEM	AMITY PN	CAMSO PN	DESCRIPTION	QTY
	311863	2A-2530-101SP	BOGIE ASSY, MID-ROLLER **INCLUDES ITEMS 1-11, 15, 16, 18, 19**	1
	311864	2A-2529-101**	HUB AND AXLE ASSY, MID-ROLLER **INCLUDES ITEMS 2, 11, 16-17**	2
1	311579	2A-0919-101	DOGHOUSE ASSY, MID-ROLLER **INCLUDES ITEMS 18-20**	1
2	311084	2A-0921-101	AXLE, MID-ROLLER	2
3	311128	2J-0090	SEAL, MECHANICAL FACE, 88 MM SQ	2
4	311100	2C-1335	PLATE, END	2
5	311099	2C-1334	RING, THRUST, 70.3 MM ID	4
6	311134	2J-0141	O-RING	2
7	311111	2F-0001	BOLT, HEX FLG, M12 X 30 CL 10.9	6
8	311098	2C-1327	COVER, END	2
9	311865	222082066	BOLT, HEX, M8 X 20 CL 10.9	16
10	311588	108609500	PLUG, END COVER	2
11	311845	2C-4798-101SP	HUB, MID-ROLLER **SEE PAGES A19-A20**	4
12	311139	2S-0351-000	PIN, MOUNTING	1
13	311102	2C-2024-100	SPACER, FLG, M20	1
14	311123	2F-0323	BOLT, HEX, M20 X 50 CL 10.9	1
15	311570	2H-0060	FITTING, GREASE, 1/8"-27 PTF SHORT	1
16	311866	2J-0213*	SEAL, MECHANICAL FACE	4
17	311093	2B-0119	BUSHING, PT, 70 X 75 X 80 MM LONG	2
18	N/A	NSS	SCREW, HEX SOCKET, M12 X 30	2
19	N/A	NSS	PIN, CONNECTION	2
20	N/A	NSS	DOGHOUSE, MID-ROLLER	1

\* FOR SPECIAL TOOLING USE PN 2P-0020-100 (AMITY PN 311871) SEAL INSTALLATION TOOL AVAILABLE FROM CAMSO

\*\* INCLUDES 1/2 QTY OF ITEMS LISTED IN DESCRIPTION

Carrier Assembly



CP1912

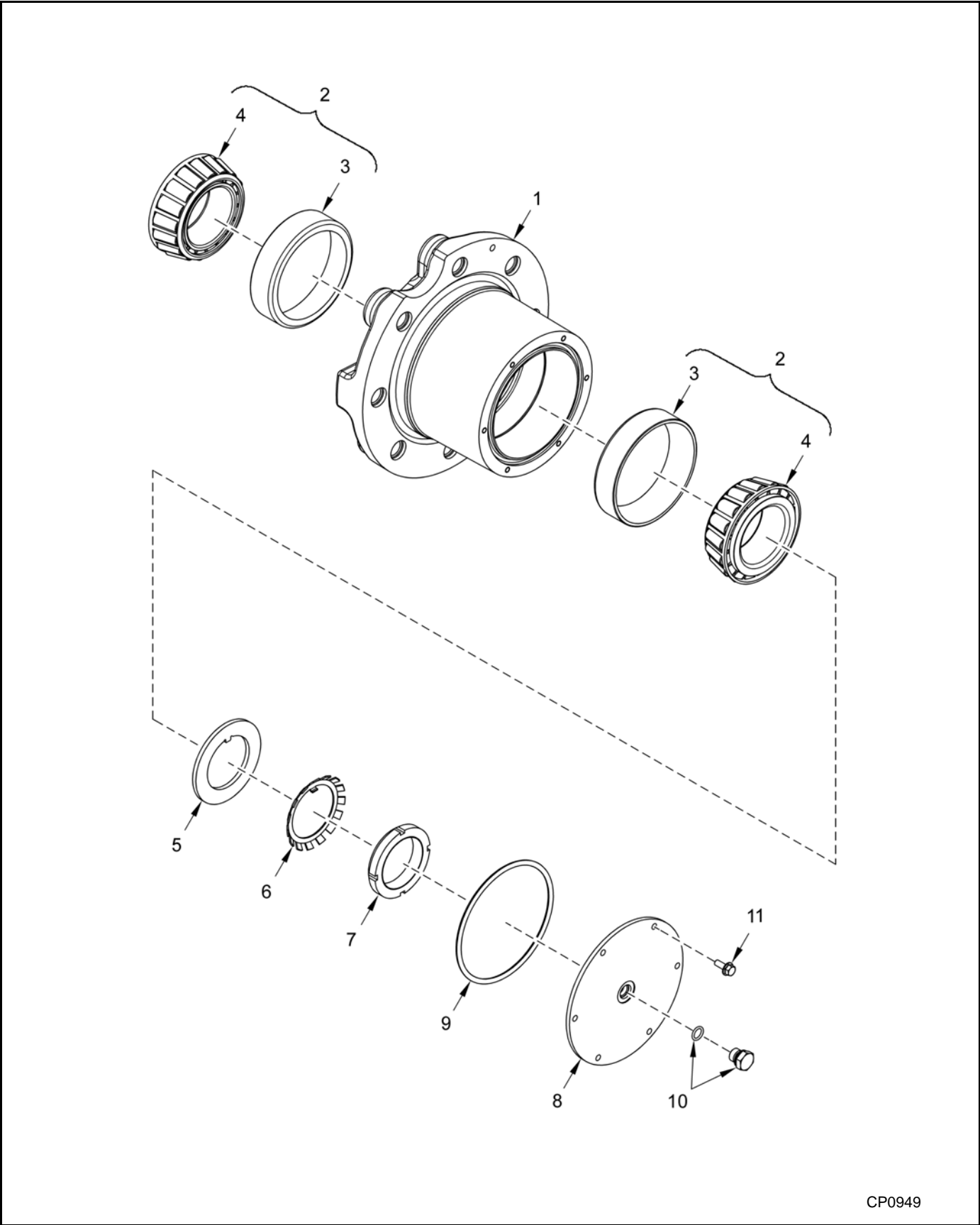
# CARRIER ASSEMBLY

ITEM	AMITY PN	CAMSO PN	DESCRIPTION	QTY
	311817	2A-0931-101SP	CARRIER ASSY, ROLLER **INCLUDES ITEMS 1-13**	1
1	311106	2C-2046-101	AXLE, CARRIER ROLLER	1
2	311133	2J-0120	SEAL, GREASE	2
3	311814	2A-0932-101	HUB, ROLLER CARRIER **INCLUDES 6 & 9**	2
4	311085	2A-1064-100	BEARING SERVICE SET, INNER **INCLUDES ITEMS 5 & 6**	2
5	N/A	NSS	BEARING, ROLLER, CONE	2
6	N/A	NSS	BEARING, ROLLER, CUP	2
7	311086	2A-1065-100	BEARING SERVICE SET, OUTER **INCLUDES ITEMS 8 & 9**	2
8	N/A	NSS	BEARING, ROLLER, CONE	2
9	N/A	NSS	BEARING, ROLLER, CUP	2
10	311107	2C-2080-100	WASHER, TONGUE, #06	2
11	311119	2F-0247**	WASHER, LOCK	2
12	311118	2F-0246*	NUT, LOCK	2
13	311135	2M-0024	CAP, HUB	2

\* FOR SPECIAL TOOLING USE PN 2P-0022-100 (AMITY PN 311137) BEARING LOCKNUT TOOL AVAILABLE FROM CAMSO

\*\* FOR SPECIAL TOOLING USE PN 2P-0180-100 (AMITY PN 311867) LOCK WASHER TAB BENDER AVAILABLE FROM CAMSO

Hub - Idler



CP0949

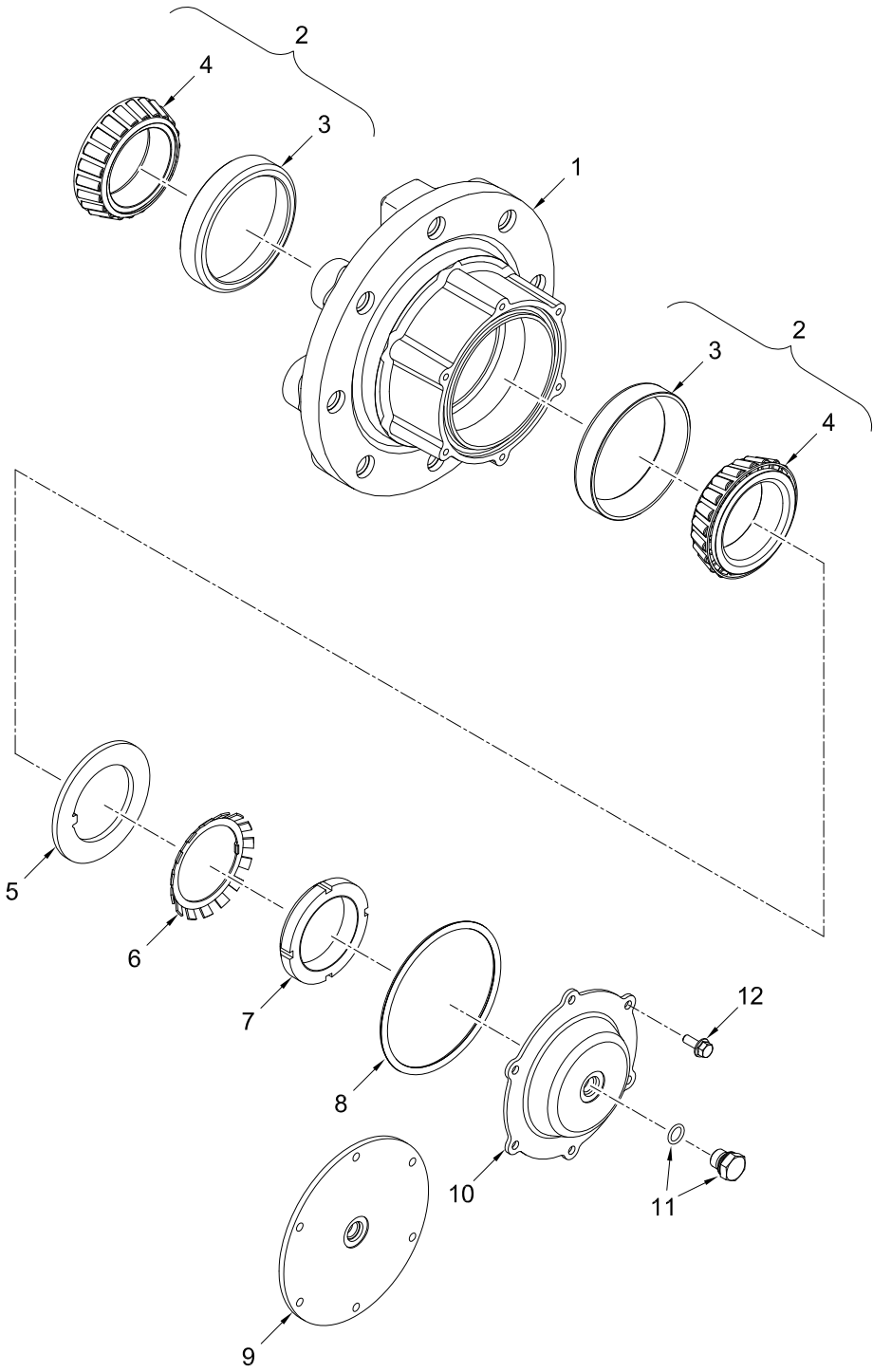
# HUB - IDLER

ITEM	AMITY PN	CAMSO PN	DESCRIPTION	QTY
1	311813	2C-2013-101	HUB, IDLER	1
2	311088	2A-1067-100	BEARING SERVICE SET, IDLER **INCLUDES ITEMS 3 & 4**	2
3	N/A	NSS	BEARING, ROLLER, CUP (2B-0032)	1
4	N/A	NSS	BEARING, ROLLER, CONE (2B-0120)	1
5	311082	674012700	WASHER, TONGUE	1
6	311080	105023916**	WASHER, LOCK	1
7	311079	105023915*	NUT, LOCK	1
8	311096	2C-0196-101	COVER, IDLER HUB	1
9	311126	2J-0023	O-RING	1
10	311588	108609500	PLUG ASSY **INCLUDES O-RING**	1
11	311083	761301665	BOLT, HEX FLG, M6 X 16 CL 10.9	6

\* FOR SPECIAL TOOLING USE PN 2P-0021-100 (AMITY PN 311136) BEARING LOCKNUT SOCKET AVAILABLE FROM CAMSO

\*\* FOR SPECIAL TOOLING USE PN 2P-0180-100 (AMITY PN 311867) LOCK WASHER TAB BENDER AVAILABLE FROM CAMSO

Hub - Mid-roller



CP1938

# HUB - MID-ROLLER

ITEM	AMITY PN	CAMSO PN	DESCRIPTION	QTY
1	311845	2C-4798-101SP***	HUB, MID-ROLLER	1
2	311087	2A-1066-100SP	BEARING SERVICE SET, MID-ROLLER **INCLUDES ITEMS 3 & 4**	2
3	N/A	NSS	BEARING, ROLLER, CUP (2B-0157)	1
4	N/A	NSS	BEARING, ROLLER, CONE (2B-0161)	1
5	311082	674012700	WASHER, TONGUE	1
6	311080	105023916**	WASHER, LOCK	1
7	311079	105023915*	NUT, LOCK	1
8	311842	106023515	O-RING	1
9	N/A	2C-2679-101SP****	COVER, IDLER HUB, FLAT	1
10	311868	2C-4229-101SP*****	COVER, IDLER HUB, FORMED	1
11	311588	108609500	PLUG, HEX, M14	1
12	311083	761301665	BOLT, HEX FLG, M6 X 16, CL 10.9	6

\* FOR SPECIAL TOOLING USE PN 2P-0021-100 (AMITY PN 311136) BEARING LOCKNUT SOCKET AVAILABLE FROM CAMSO

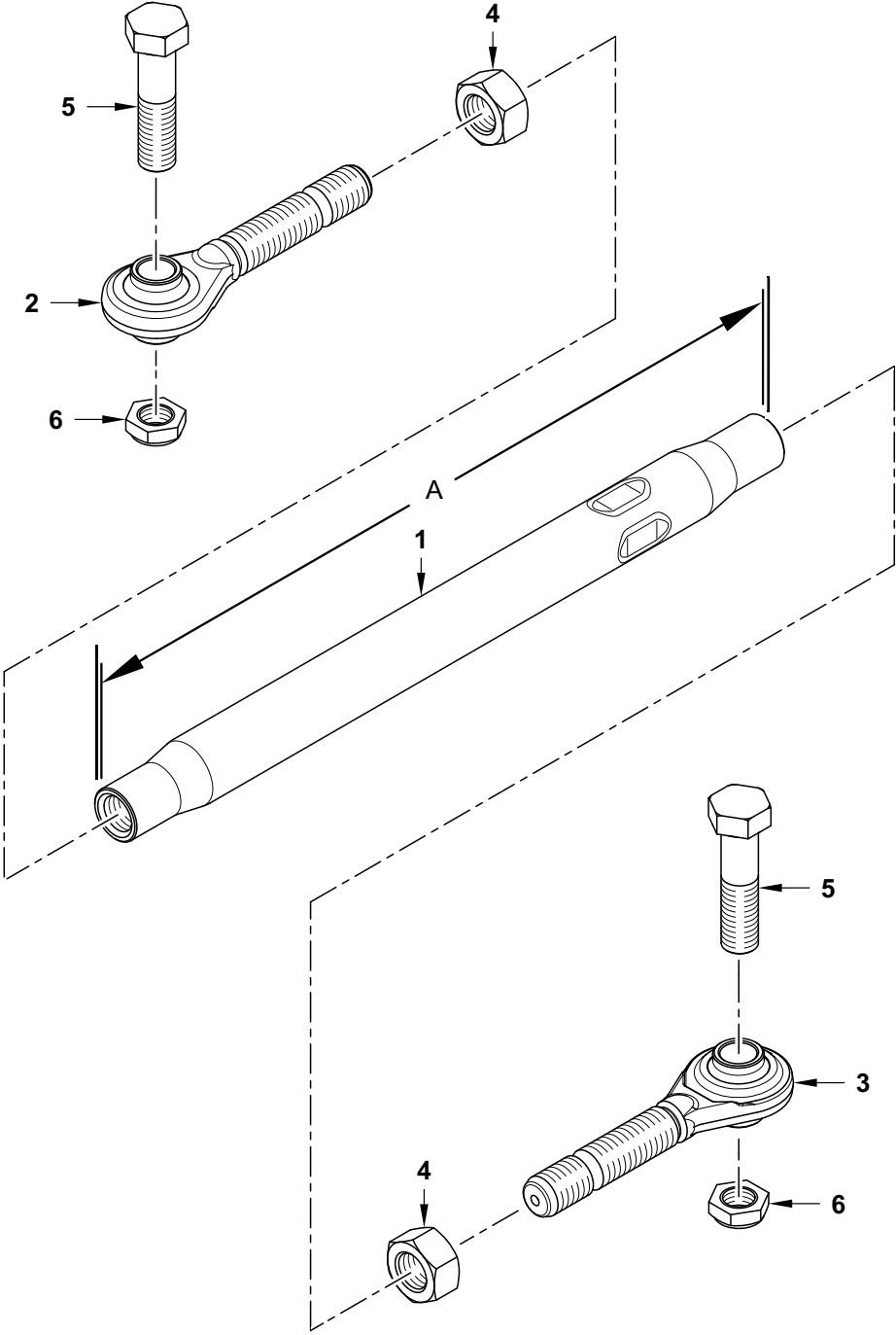
\*\* FOR SPECIAL TOOLING USE PN 2P-0180-100 (AMITY PN 311867) LOCK WASHER TAB BENDER AVAILABLE FROM CAMSO

\*\*\* PN 2C-1320 (AMITY PN 311873) MID-ROLLER HUB IS REPLACED WITH 2C-4798-101SP (311845) SHORTER MID-ROLLER HUB. IF YOU ARE REPLACING 2C-1320 HUB WITH A 2C-4798-101SP HUB, MID-ROLLER WIDE. YOU MUST ALSO ORDER FORMED HUB COVER 2C-4229-101SP (311868).

\*\*\*\* PN 2C-2679-101SP (AMITY PN N/A) FLAT HUB COVER ONLY FITS 2C-1320 (311873) HUBS.

\*\*\*\*\* PN 2C-4229-101SP (AMITY PN 311868) FORMED HUB COVER ONLY FITS ON 2C-4798-101SP (311845) MID-ROLLER HUBS.

16.75" & 24" Stabilizer Assemblies



CP1968

# STABILIZER ASSEMBLY

---

ITEM	AMITY PN	CAMSO PN	DESCRIPTION	QTY
	311145	2A-0991-100	STABILIZER ASSY, 24" (DIMENSION A = 24") **INCLUDES ITEMS 1-4**	2
1	N/A	NSS	TUBE, STABILIZER	1
2	N/A	NSS	BOLT, EYE, LH, M30 X 3	1
3	N/A	NSS	BOLT, EYE, RH, M30 X 3	1
4	N/A	NSS	NUT, HEX, M30 X 3	2
5	311149	3F-0040	BOLT, HEX, 4" X 1"-14 UNC GR 8	2
6	311147	3F-0041	NUT, JAM, 1"-14 UNC GR 8	2

NOTE: A TTS UNDERCARRIAGE SYSTEM USES MULTIPLE STABILIZER ASSEMBLIES TO LIMIT UNDERCARRIAGE ROTATION AND TO HELP SPREAD THE TWISTING LOADS AROUND THE PIN AND BACK INTO THE CENTER AXLE. CORRECT ADJUSTMENTS ARE CRITICAL TO PROPER OPERATION AND TO MAINTAIN TRACK ALIGNMENT. MAKE SURE TO REFERENCE YOUR OWNER'S MANUAL FOR PROPER ADJUST PROCEDURES.