

Amity

TECHNOLOGY



OPERATING MANUAL



UNIVERSAL DISC LEVELER

P/N 344034

Amity Technology, LLC
2800 7th Avenue North
Fargo, ND 58102
(701) 232-4199
www.amitytech.com

AMITY TECHNOLOGY, LLC LIMITED WARRANTY FOR NEW PRODUCTS

- 1. General Provisions.** This Warranty shall apply to the original purchaser of (1) any new and unused machine manufactured by Amity Technology, LLC ("Amity"), and (2) any new and unused part which is manufactured by Amity for use in an Amity machine, jointly referred to as "Products," whether such Product is purchased through a dealer or directly from Amity. Under this Warranty, Amity will repair or replace, as it chooses in its sole discretion, any covered Product, or any component thereof, which Amity determines to be defective. This Warranty shall be in effect for a period of twelve (12) months ("the Warranty Period"), beginning on the date of delivery of the covered machine or part by the dealer or Amity to the purchaser ("the Warranty Start Date"). The purchaser must pay the cost of transportation of a Product to be repaired or replaced to and from an authorized Amity dealer. This Warranty may not be transferred from the original purchaser of a Product to any other person. This Warranty does not give a purchaser the right to any relief other than repair or replacement of the Product, and it specifically does not allow for consequential or incidental damages, exemplary or punitive damages, or costs and fees.
- 2. Scope and Limitations of Warranty.** With respect to machines, this Warranty is void if any part not supplied by Amity is used in assembly or repair of the machine, or if the machine has been altered, abused or neglected, as determined by Amity. With respect to parts, this Warranty is void if the part is used in any manner other than that for which it is intended. This Warranty does not extend in any way to tires and any other component of a Product warranted by another manufacturer, a copy of which warranty is provided herewith ("Third-Party Warranties"). In the event Amity determines that a Product is not defective, or that any other provision of this Paragraph 2 operates to limit the Warranty, this Warranty shall not apply and the purchaser shall be responsible for transporting the Product from the authorized Amity dealer's location within 10 days of notice by Amity.
- 3. Procedures for Obtaining Service.** To secure Warranty service, a purchaser must (1) report the defect to an authorized dealer and request repair within 45 days of the failure and within the Warranty Period; (2) present evidence that this Warranty applies to the Product; (3) present evidence of the Warranty Start Date; and (4) bring the Product to an authorized Amity dealer within a reasonable period of time after reporting the defect.
- 4. LIMITATION OF IMPLIED WARRANTIES AND OTHER REMEDIES.** To the extent allowed by law, neither Amity, its dealers, nor any company affiliated with Amity makes any warranties, representations, or promises as to the quality, performance, or freedom from defect of any Product covered by this Warranty.

AMITY HEREBY WAIVES, TO THE EXTENT APPLICABLE, ANY AND ALL IMPLIED WARRANTIES OF MERCHANTABILITY AND FITNESS FOR A PARTICULAR PURPOSE. A PURCHASER'S ONLY REMEDIES IN CONNECTION WITH THIS WARRANTY ARE THOSE SET FORTH ON THIS PAGE. IN NO EVENT WILL AMITY, ITS DEALERS, OR ANY COMPANY AFFILIATED WITH AMITY BE LIABLE FOR INCIDENTAL, CONSEQUENTIAL OR PUNITIVE DAMAGES.

Some states do not allow waivers of certain warranties, so the above waivers may not apply to you. You may also have other rights which vary from state to state.

- 5. No Dealer Warranty.** This is the exclusive warranty applicable to Amity Products. No dealer has any authority to make any other warranty, modify, limit, or expand the terms of this Warranty in any fashion, or make any representation or promise on behalf of Amity.
- 6. Dispute Resolution.** Any controversy or claim arising out of or relating to this Warranty must be settled by arbitration in Fargo, North Dakota, at a time and location designated by the arbitrator, but not exceeding 30 days after a demand for arbitration has been made, and may be conducted by electronic, video, or other technical means. Arbitration will be conducted by the American Arbitration Association in accordance with its Rules of Commercial Arbitration, and judgment upon the award rendered by the arbitrator may be entered in any court having jurisdiction thereof. The arbitrator will have the authority to order Amity to undertake a repair or replace any Product, at its election, if the arbitrator finds that this Warranty requires Amity to do so. The arbitrator will not have the authority to impose any other remedy against Amity, including without limitation consequential or incidental damages, exemplary or punitive damages, or costs and fees.

• AMITY TECHNOLOGY, LLC • 2800 7TH AVENUE NORTH • FARGO, ND 58102 • e-mail address: info@amitytech.com •

(701) 232-4199 fax (701) 234-1716

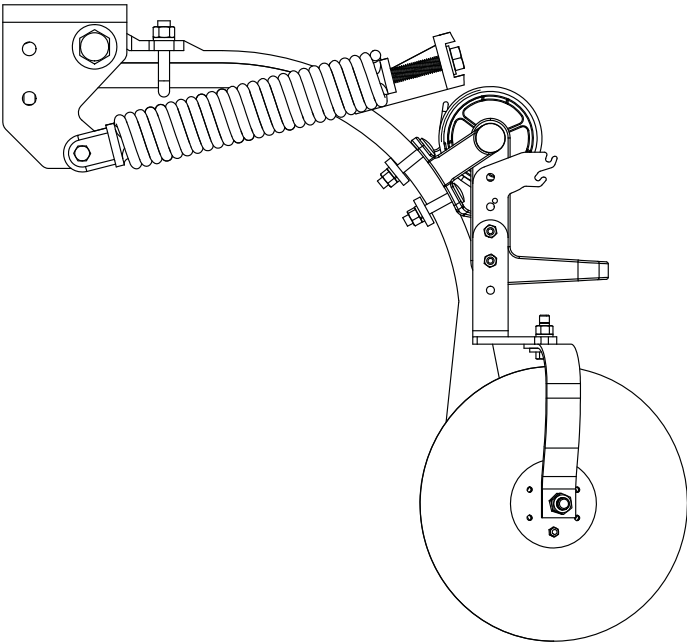
Prices subject to change without notice

GENERAL INFORMATION

The disc leveler functions as a rolling shield to prevent a condition called stepping. Stepping is when the furrow formed by the front shank gets covered by the second and third row of shanks creating uneven seed cover and a stepped field finish.

The reason for using a disc leveler is to catch the soil wake coming off the opener and turn back approximately 80% of the wake to achieve even seed cover. This will result in a smoother field finish regardless of field speed, allowing more acres seeded with no compromise to field finish.

The disc leveler aggressiveness is accomplished by pitching the disc blades in or out. Also, the blade mounting can be varied to accommodate most variations of openers on the market.

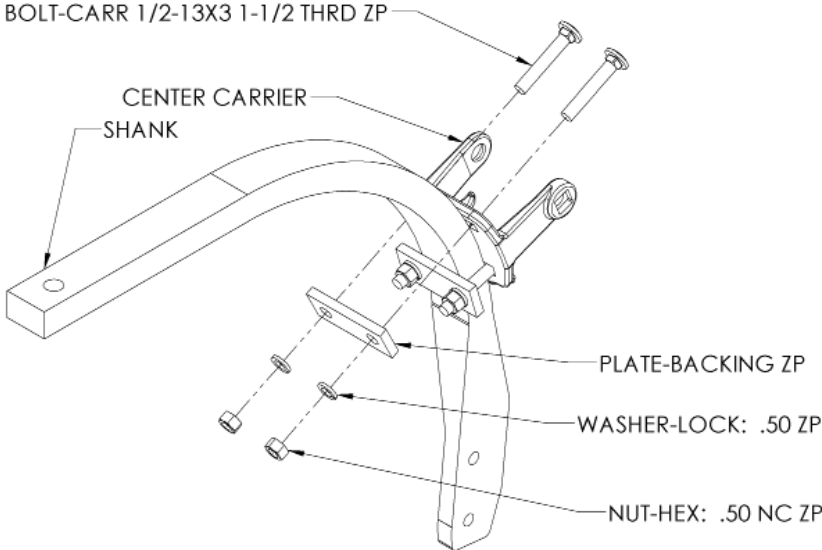


ASSEMBLY

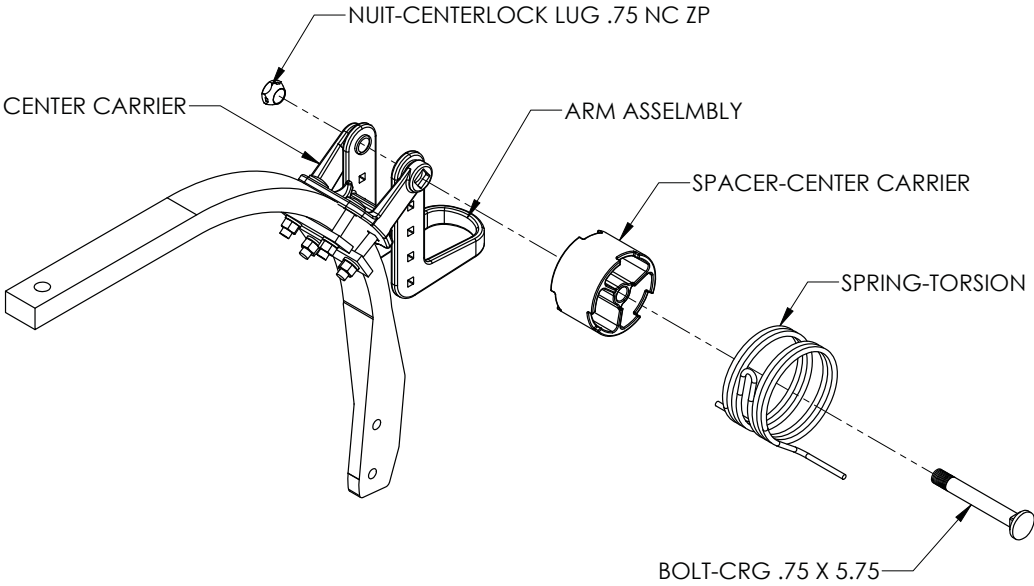
Review all instructions before starting assembly.

Loosely mount the disc leveler center carrier to the shank using the included plates, carriage bolts, lock washers, and nuts. Insure spring hook is facing up.

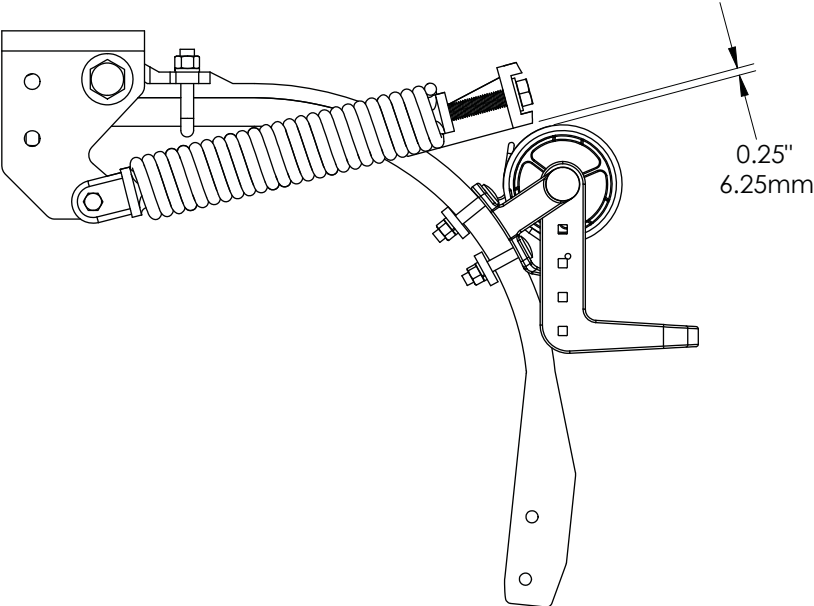
NOTE: It is recommended that you assemble one disc leveler assembly and test for proper fit & function before completing the remaining levelers.



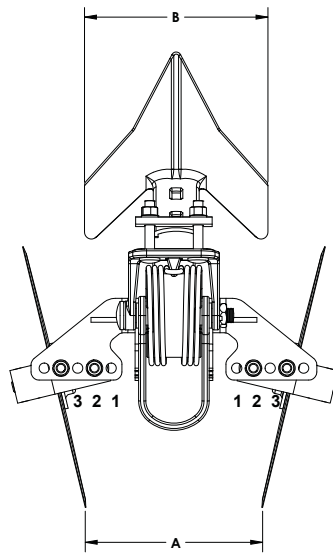
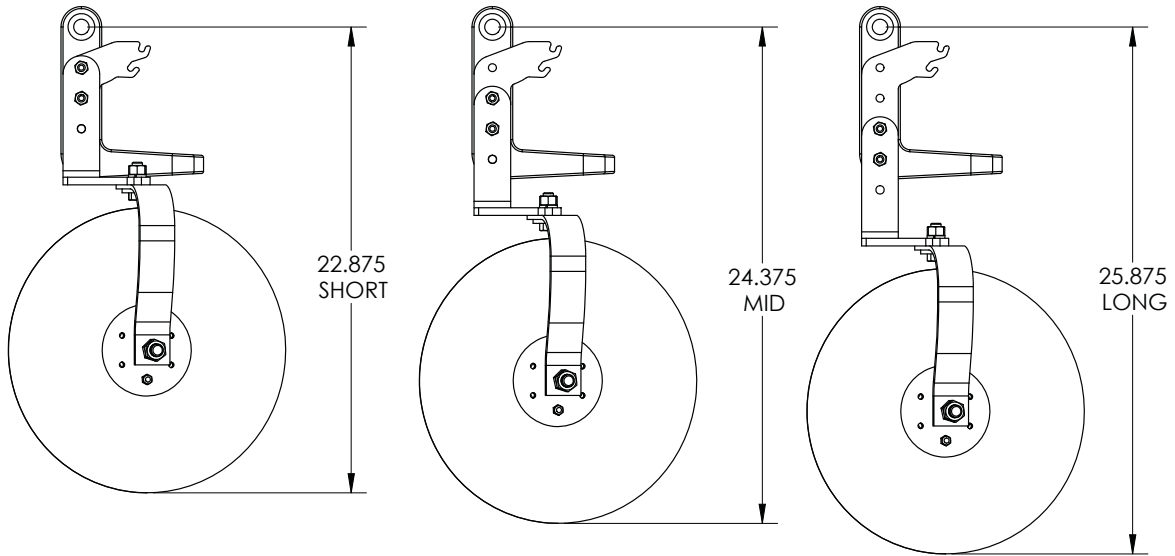
Mount the Arm Assembly to the Center Carrier. Tighten the tapered 3/4" centerlock nut until it is snug. Insure the Arm Assembly pivots freely.



Adjust the Center Carrier until the Disc Leveler Torsion Spring is 0.25" from shank spring as shown. Finish tightening the four carriage bolts to the shank.

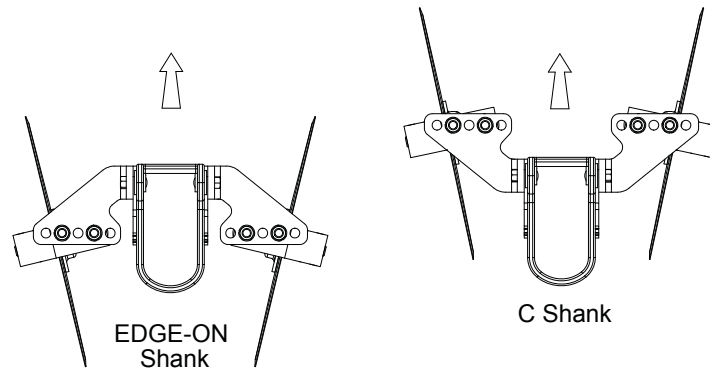


Determine proper arm height and disc width. Disc height should be 1-3" above sweep point depending on planting depth.

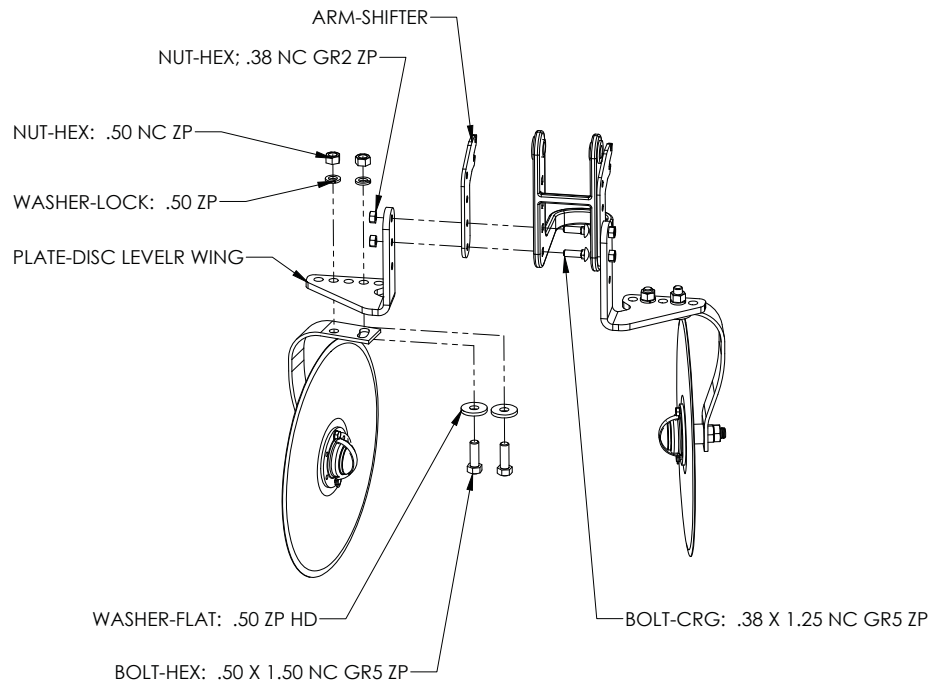


Dimension B	Hole Sequence	Dimension A
1 - 4" (2.5 - 10.2 cm)	1	5 - 6" (12.7 - 15.2 cm)
4 - 8" (10.2 - 20.3 cm)	2	7 - 9" (17.8 - 22.9 cm)
8 - 16" (20.3 - 40.6 cm)	3	10" or more (25.4 cm or more)

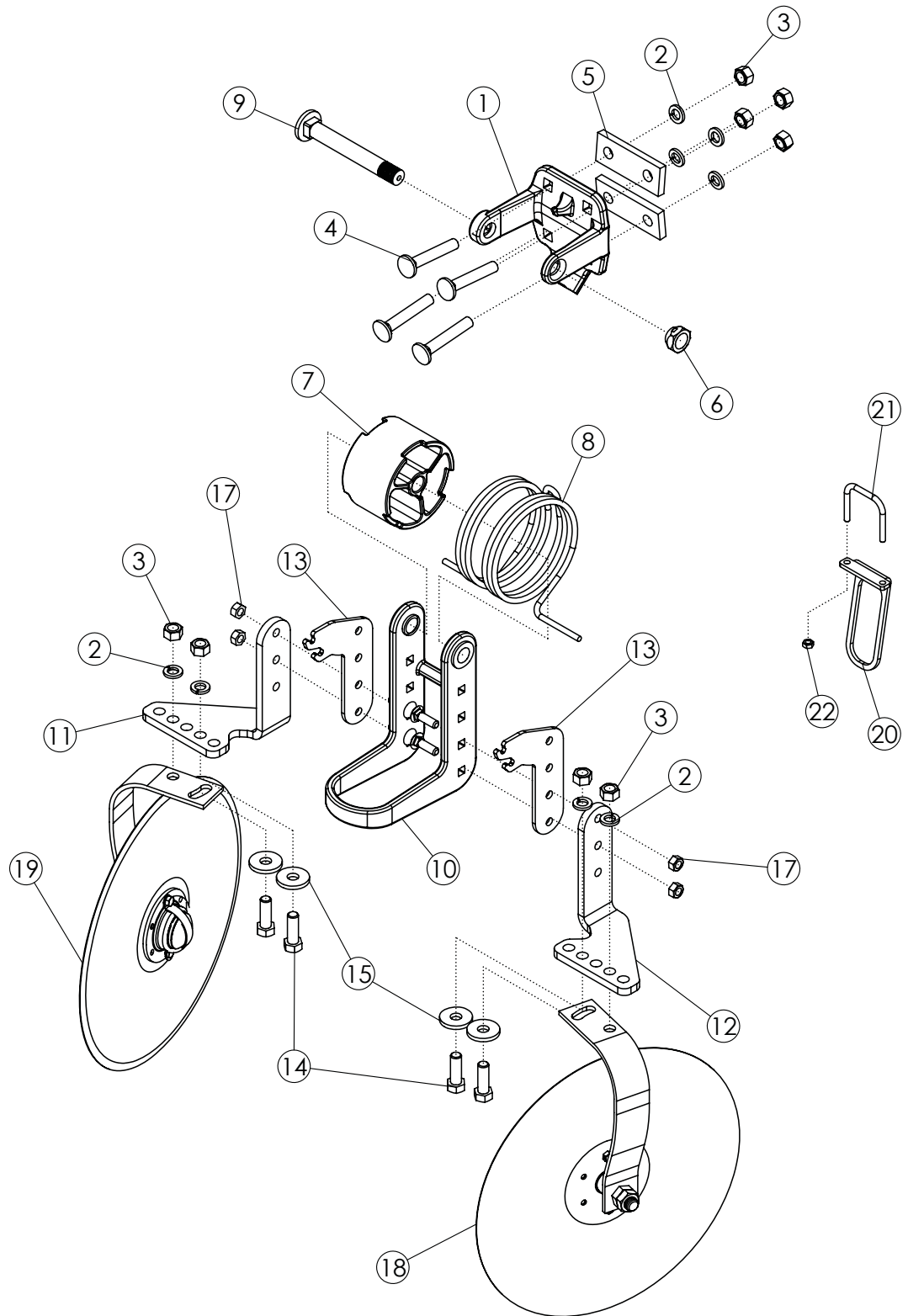
Determine if your drill is equipped with 'EDGE-ON' or 'C' style shanks. The 'EDGE-ON' style typically requires the wings to face rearward whereas the 'C' style typically requires the wings to face forward.



Assemble the Arm Assembly as shown, ensuring vertical height is 1"-3" above sweep

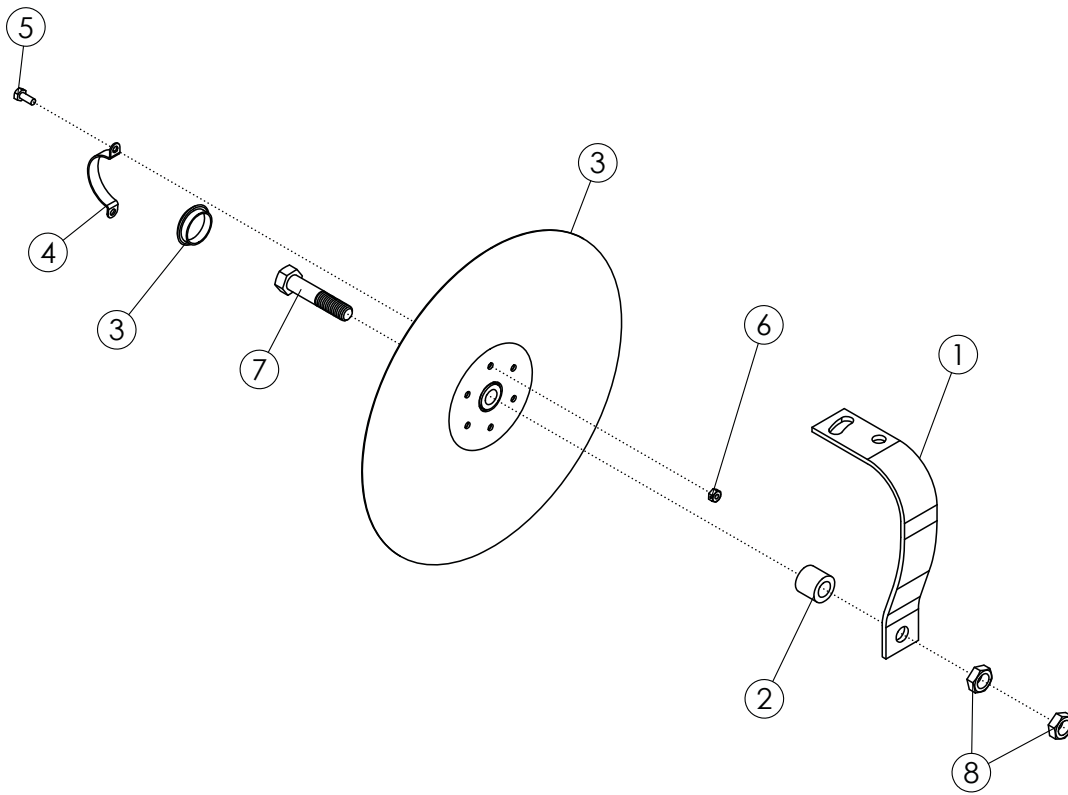
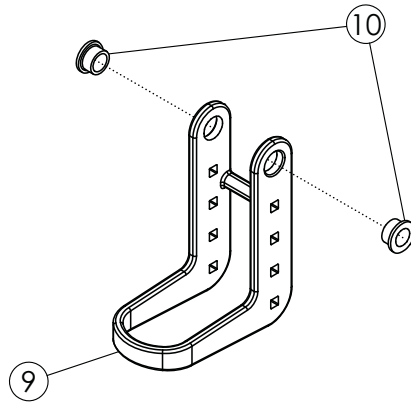


NOTE: The disc leveler mounting instructions are only a starting point. The final field adjustment must be made by the operator to achieve the leveling desired. It is recommended that adjustments are made on only three or four levelers, side by side on the outside of a wing. Adjust those levelers until desired leveling is achieved before proceeding to the remaining levelers.



UNIVERSAL DISC LEVELER

ITEM	PART NO.	DESCRIPTION	QTY
1	67415	CARRIER-CENTER PC	1
2	1011581	WASHER-LOCK: .50 ZP	8
3	1011577	NUT-HEX: .50 NC ZP	8
4	67402	BOLT-CARR 1/2-13X3 1-1/2 THRD ZP	4
5	67133	PLATE-BACKING ZP	2
6	344003	NUT-CENTERLOCK LUG .75 NC ZP	1
7	67409	SPACER-CENTER CARRIER	1
8	67207	SPRING-TORSION UNIVERSAL	1
9	34820	BOLT-CRG .75 X 5.75	1
10	67482	ASSY-DISC LEVELER ARM	1
11	344042	PLATE-WING A UNIVERSAL LONG	1
12	344043	PLATE-WING B UNIVERSAL LONG	1
13	67934	ARM-SHIFTER ZP	2
14	1011607	BOLT-HEX: .50 x 1.50 NC GR5 ZP	4
15	33036	WASHER-FLAT: .50 ZP HD	4
16	1016362	BOLT-CRG: .38 X 1.25 NC GR5 ZP	4
17	1011499	NUT-HEX: .38 NC GR2 ZP	4
18	66479	ASSY-RIGHT DISC ARM	1
19	66478	ASSY-LEFT DISC ARM	1
20	344045	PLATE-HOSE HOLDER	1
21	344044	U-BOLT: .250 X 2.00 X 2 X 2.00	1
22	1030946	NUT-TOPLOCK: .25 NC GR5 ZP	2



66479 RIGHT & 66478 LEFT DISC ARM ASSY

ITEM	PART NO.	DESCRIPTION	QTY
1	234515	SPRING ARM DISC RH	1
	234514	SPRING ARM DISC LH	1
2	234516	TUBE SPACER ZP	1
3	234965	DISC	1
4	234517	RETAINER DUST CAP	1
5	66834	BOLT-HEX: .25 X .625 NC GR5	2
6	1013427	NUT-CENTERLOCK	2
7	1011624	BOLT-HEX: .63 X 3.00	1
8	1026259	NUT-JAM: .63 NC GR2 ZP	2

67482 LEVELER ARM ASSY

ITEM	PART NO.	DESCRIPTION	QTY
9	67418	ARM-UNIVERSAL LEVELER PC	1
10	66470	BUSHING-FLANGE	2